

HP8673

-UN-23JUN99



*JOHN DEERE 9650 STS SELF-PROPELLED COMBINE™ WITH 90 SERIES CORN HEAD
MANUFACTURED (1999-)*

(SPECIFICATIONS AND DESIGN SUBJECT TO CHANGE WITHOUT NOTICE)

COPYRIGHT (C) 2000. DEERE & COMPANY. MOLINE, ILLINOIS, USA. ALL RIGHTS RESERVED.

NOTE

FOR 900 SERIES PLATFORM PARTS INFORMATION, REFER TO JOHN DEERE 900 SERIES PLATFORM PARTS CATALOG - PC-2104.

FOR 40 SERIES CORN HEAD PARTS INFORMATION, REFER TO JOHN DEERE 40 SERIES CORN HEAD PARTS CATALOG - PC-1223.

FOR 50A SERIES ROW-CROP HEAD PARTS INFORMATION, REFER TO JOHN DEERE 50A SERIES ROW-CROP HEAD PARTS CATALOG - PC-1747.

FOR THREE-ROLLER BELT PICKUP PARTS INFORMATION, REFER TO JOHN DEERE THREE-ROLLER BELT PICKUP PARTS CATALOG - PC-2210.

FOR 918 AND 920 DRAPER PARTS INFORMATION, REFER TO JOHN DEERE 918 AND 920 DRAPER PLATFORMS PARTS CATALOG - PC-2212.

FOR 90 SERIES CORN HEAD PARTS INFORMATION, REFER TO JOHN DEERE 90 SERIES CORN HEAD PARTS CATALOG - PC-2404.

IMPORTANT

THIS PARTS CATALOG CONTAINS PARTS INFORMATION FOR THE 9650 STS SELF-PROPELLED COMBINE. VINTAGE IS DETERMINED BY THE COMBINE SERIAL NUMBER OR THE PRODUCT IDENTIFICATION NUMBER (PIN). IT IS IMPORTANT THAT THE CORRECT NUMBERS BE USED WHEN ORDERING PARTS.

PRODUCT INFORMATION NUMBER (PIN) PLATE

THE PRODUCT IDENTIFICATION NUMBER (PIN) PLATE IS LOCATED NEAR THE RIGHT-HAND SIDE OF THE TOOL BOX.
AN EXAMPLE OF THE TWO-LINES ON THIS PIN PLATE IS:

HO9650X685000
COMBINE

(FIRST LINE)

HO - MANUFACTURING UNIT (HARVESTER WORKS)

9650 - MODEL IDENTIFIER

X - CONFIGURATION CODE/MODEL IDENTIFIER SUFFIX

900000 - SEQUENTIAL NUMBER USED IN SERIAL NO. COLUMN

(SECOND LINE)

COMBINE - TYPE OF PRODUCT

PARTS LISTING INFORMATION

SERIAL NUMBER OR PRODUCT IDENTIFICATION NUMBER (PIN) INFORMATION SHOWS ON WHICH MACHINES THE PART MAY BE USED; FOR EXAMPLE:

- THE PART CAN BE USED ON ALL MACHINES.
- 000000 THE PART CAN BE USED ON ALL MACHINES UP TO AND INCLUDING THE SERIAL NUMBER LISTED.
- 000000- THE PART CAN BE USED ON ALL MACHINES BEGINNING WITH THE SERIAL NUMBER LISTED.
- 000000-000000 THE PART CAN BE USED ON ALL MACHINES BETWEEN AND INCLUDING SERIAL NUMBERS LISTED.

WHEN XXXXXX'S ARE LISTED IN PLACE OF A SERIAL NUMBER, A SERIAL NUMBER CHANGE WAS MADE, BUT THE EXACT SERIAL NUMBER WAS NOT AVAILABLE WHEN THE CATALOG WAS PRINTED.

SHORT BLOCK SERIAL NUMBER PLATE

(-RGSB076882500)

RGP3513 -UN-01JAN94



RGP3513

THE REPLACEMENT SHORT BLOCK ASSEMBLY HAS A SERIAL NUMBER PLATE ATTACHED. THE ORIGINAL ENGINE SERIAL NUMBER MUST BE STAMPED ONTO THE NEW PLATE IN THE BLANK SPACE PROVIDED, AS A REFERENCE FOR YOUR DEALER. THE PLATE CAN BE ATTACHED WITH (2) 37H44 DRIVE SCREWS.

- | | |
|---------------------------------------|----------------------------|
| 1. DESIGNATES ENGINE MANUFACTURER | RG - WATERLOO ENGINE WORKS |
| 2. DESIGNATES REPLACEMENT SHORT BLOCK | SB |
| 3. DESIGNATES LITERS | XXX- 081 (8.1) |
| 4. DESIGNATES THE PRODUCTION DATE | 8825 |
| 5. DESIGNATES COMPONENT SEQUENCE | 00 |

1A6

9650 STS AND 9750 STS SELF-PROPELLED COMBINES

TWO LINE BAR CODED ENGINE SERIAL NUMBER PLATE

RGP5228

-UN-21JUN99



RGP5228

FIRST LINE

RG - WATERLOO ENGINE WORKS

6

081 (8.1 LITERS)

H - AIR-TO-AIR

H

XXXXXX

SECOND LINE

6081HH005

6081HH006

DEFINES

DESIGNATES ENGINE MANUFACTURER.

DESIGNATES NUMBER OF CYLINDERS.

DESIGNATES LITER DISPLACEMENT.

DESIGNATES TYPE OF AIR INTAKE SYSTEM.

DESIGNATES HARVESTER VEHICLE.

DESIGNATES ENGINE SERIAL NUMBER.

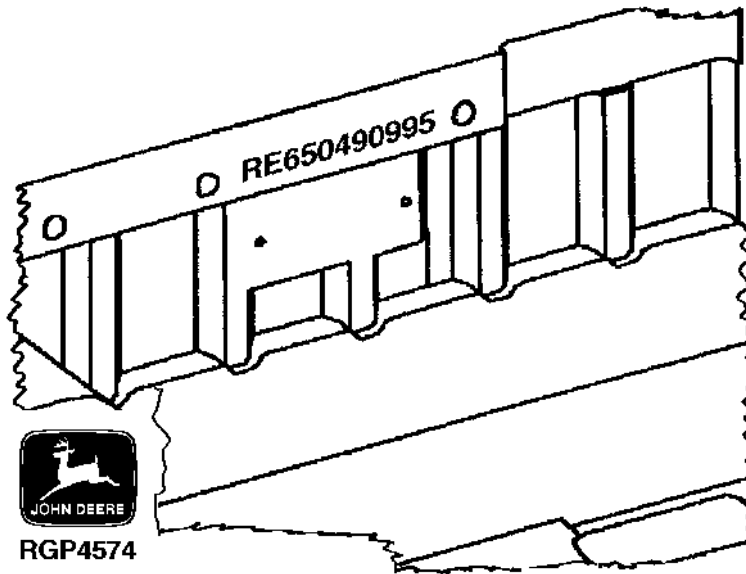
APPLICATION

9750

9650

SHORT BLOCK SERIAL NUMBER IDENTIFICATION

RGP4574 -UN-02OCT95



SERIAL NUMBER STAMPED INTO CASTING OF BLOCK NEAR PREVIOUS SERIAL NUMBER PLATE.

EXAMPLE: RE650490995

- | | |
|-----------------------------------|---------|
| 1. DESIGNATES SERVICE PART NUMBER | RE65049 |
| 2. DESIGNATES MONTH ASSEMBLED | 09 |
| 3. DESIGNATES YEAR ASSEMBLED | 95 |

DIRECTION ARROW

ARROWS ARE USED WITH ILLUSTRATIONS TO INDICATE THE FRONT OF THE UNIT. "RIGHT-HAND" AND "LEFT-HAND" SIDES ARE DETERMINED BY FACING IN THE DIRECTION OF MACHINE FORWARD TRAVEL.

BOX-ENCLOSED ILLUSTRATIONS

A KEY NUMBER, SHOWN IN THE PARTS LIST, IS ASSIGNED TO A BOX ENCLOSING ALL PARTS SOLD AS A SERVICE ASSEMBLY. A BOX NOT KEYED INCLUDES NON-CURRENT PARTS.

KITS

KIT INFORMATION WILL BE FOUND IMMEDIATELY FOLLOWING THE STORY IN WHICH IT IS USED. THE ILLUSTRATION IS REPEATED WITH ONLY THE KIT PARTS CALLED OUT AND WITH ALL OTHER PARTS SHOWN IN PHANTOM.

JDM REMANUFACTURED COMPONENTS

THE SERVICE PARTS LISTED IN THIS CATALOG ARE INTENDED FOR THE REPAIR OF ORIGINAL EQUIPMENT COMPONENTS. ALTHOUGH MOST SERVICE PARTS MAY BE USED TO REPAIR REMANUFACTURED COMPONENTS, THE REMANUFACTURED DESIGN MAY CHANGE PARTS SUFFICIENTLY SO THAT SERVICE PARTS ARE INADEQUATE OR NOT USABLE.

BOLT AND CAP SCREW STRENGTH IDENTIFICATION

BOLTS AND CAP SCREWS REQUIRED TO HAVE HIGH-STRENGTH QUALITIES EQUIVALENT TO SAE GRADE 8 ARE IDENTIFIED THROUGHOUT THIS CATALOG BY THE DESCRIPTION HS SAE 8. ALL STANDARD BOLTS AND CAP SCREWS ARE SAE GRADE 5 OR LOWER. BOLTS AND CAP SCREWS REQUIRED TO HAVE HIGH-STRENGTH QUALITIES EQUIVALENT TO PROPERTY CLASS 10.9 ARE IDENTIFIED THROUGHOUT THIS CATALOG BY THE DESCRIPTION 10.9. ALL STANDARD BOLTS AND CAP SCREWS ARE PROPERTY CLASS 8.8 OR LOWER.

SI UNITS OF MEASURE

METRIC DIMENSIONS ARE GIVEN, WHERE APPLICABLE, THROUGHOUT THIS PARTS CATALOG.

TRADEMARKS

THROUGHOUT THIS PARTS CATALOG, YOU WILL FIND THE FOLLOWING DEERE & COMPANY TRADEMARKS:

DIAL-A-SPEED™
DIAL-A-MATIC™
HARVESTRAK™
CONTOUR MASTER™

POSI-TORQ™
TORQ-GARD SUPREME®
QUIK-TATCH™

CHANGE INDICATOR LINE

CHANGES AFFECTING THE ORDERING OF PARTS ARE IDENTIFIED BY VERTICAL LINES MARKED IN THE LEFT-HAND MARGIN OF REVISED PARTS LISTING IMAGES. A LINE IS ALSO AT THE LEFT-HAND EDGE OF THE SAME PART NUMBER IN THE NUMERICAL INDEX TO SHOW THE LOCATION OF REVISED INFORMATION.

FUNCTION CODE

(EXAMPLE - FC: 5000)

FUNCTION CODES ARE LOCATED ON EACH PAGE IN THE UPPER RIGHT-HAND CORNER IN THE BOX. THE CODE LISTED IS A GROUPING CODE THAT CAN BE USED FOR WARRANTIES AND FOR DTAC TO IDENTIFY CERTAIN AREAS.

COMPLETE GOODS LISTINGS

COMPLETE GOODS ARE IN BOLD FACE TYPE. ORDER SEPARATELY. DO NOT INCLUDE ON REPLACEMENT PARTS ORDER.

SECTION INDEX

SECTION 10 - GENERAL INFORMATION

SECTION 20 - ENGINE ACCESSORIES

SECTION 25 - ENGINE

SECTION 30 - FUEL AND AIR

SECTION 40 - ELECTRICAL

SECTION 50 - POWER TRAIN

SECTION 60 - STEERING AND BRAKES

SECTION 70 - HYDRAULICS

SECTION 80 - BODY AND SHIELDS

SECTION 90 - OPERATOR'S STATION

SECTION 95 - AIR CONDITIONING AND HEATING

SECTION 110 - FEEDER HOUSE

SECTION 120 - THRESHING AND SEPARATION

SECTION 125 - CLEANING SHOE

SECTION 130 - ELEVATORS

SECTION 135 - RESIDUE DISPOSAL

SECTION 140 - DRIVES

SECTION 150 - GRAIN TANK AND UNLOADING AUGER

SECTION 155 - GREENSTAR YIELD MAPPING AND MONITOR SYSTEMS

SECTION 160 - RUBBER TRACK SYSTEM

SECTION 170 - DECALS

SECTION 180 - NUMERICAL INDEX

ALPHABETICAL INDEX

GRID	A	PAGE	GRID	PAGE	
3B20	A/C COMPRESSOR HARDWARE R134A	95 - 14	3D7	ARM, FEEDER HOUSE CONVEYOR..... 110 - 30	
3B17	A/C COMPRESSOR MANIFOLD.....	95 - 11	3C17	ARM, FEEDER HOUSE DRIVE TIGHTENER	110 - 16
3B17	A/C COMPRESSOR R134A	95 - 11	3D5	ARM, FEEDER HOUSE FLOOR.....	110 - 28
4D9	ABSORBER, AIR SUSPENSION (RUBBER TRACK)	160 - 8	3C15	ARM, FIXED SPEED FEEDER HOUSE DRIVE TIGHTENER.....	110 - 14
3D24	ACCELERATOR WINGS	120 - 4	4D7	ARM, FRONT AND ADJUSTABLE IDLER ASSEMBLY (RUBBER TRACK)	160 - 6
2I8	ACCESS DOOR, ENGINE.....	80 - 34	1B10	ARM, IDLER, ROTARY SCREEN	20 - 4
2H24	ACCESS DOOR, REAR.....	80 - 24	2D21	ARM, PARKING BRAKE	60 - 2
2G13	ACCUMULATOR PRESSURE GAUGE.....	70 - 42	3J8	ARM, PRIMARY COUNTERSHAFT	140 - 30
2G11	ACCUMULATOR, ONE GALLON	70 - 40	4D11	ARM, REAR (RUBBER TRACK)	160 - 10
2G12	ACCUMULATOR, ONE HALF GALLON	70 - 41	1D4	ARM, ROCKER	25 - 22
1H17	ACTUATOR, STRAW CHOPPER	40 - 64	1B8	ARM, ROTARY SCREEN DRIVE	20 - 2
1D11	ADAPTER, OIL COOLER	25 - 30	3E21	ARM, SHAKER PAN	120 - 28
1D10	ADAPTER, OIL COOLER BYPASS	25 - 29	3J21	ARM, SHOE/CONVEYOR AUGER DRIVE IDLER ASSEMBLY	140 - 43
1B5	ADHESIVE, ROCKER ARM COVER GASKET	25 - 23	3F14	ARM, SIEVE ELEMENT.....	125 - 14
1B23	ADJUSTABLE FAN DRIVE	20 - 18	2D3	ARM, STEERING	50 - 48
4D7	ADJUSTABLE IDLER ASSEMBLY AND FRONT ARM (RUBBER TRACK)	160 - 6	2J16	ARM, STEERING COLUMN (LOWER)	90 - 28
2B11	ADJUSTABLE REAR AXLE (NON-POWERED)	50 - 3	3H12	ARM, STRAW CHOPPER JACKSHAFT	135 - 12
2B10	ADJUSTABLE REAR AXLE (POWERED)	50 - 2	2G15	ARM, STRAW SPREADER	70 - 44
3E14	ADJUSTING ASSEMBLY, CONCAVE.....	120 - 20	3J19	ARM, TAILINGS ELEVATOR DRIVE IDLER ASSEMBLY	140 - 41
3E16	ADJUSTING ASSEMBLY, CONCAVE.....	120 - 22	3K6	ARM, UNLOADER DRIVE IDLER ASSEMBLY	140 - 54
1D22	AFTERCOOLER AND INTAKE MANIFOLD SENSOR....	25 - 43	2J12	ARMREST CONTROL PANEL	90 - 24
1E25	AIR CLEANER	30 - 21	2J14	ARMREST CONTROL PANEL (CONTINUED).....	90 - 26
1F1	AIR CLEANER BRACKETS, SUPPORTS.....	30 - 22	1G9	ARMREST WIRING HARNESS.....	40 - 32
1E24	AIR CLEANER HOSES	30 - 20	2J9	ARMREST, OPERATOR'S SEAT	90 - 20
3B10	AIR CONDITIONER AND HEATER HOUSING, LOWER	95 - 4	3F6	ARMS, CHAFFER FRAME	125 - 6
3B8	AIR CONDITIONER AND HEATER HOUSING, UPPER.....	95 - 2	3K3	ARMS, STRAW CHOPPER DRIVE IDLER ASSEMBLY	140 - 50
3B8	AIR CONDITIONER AND HEATER TEMPERATURE SENSOR	95 - 2	1G17	ARMS, WINDSHIELD WIPER	40 - 40
1C2	AIR CONDITIONER COMPRESSOR BRACKETS	20 - 22	1F3	ASPIRATOR HOSE	30 - 24
3B18	AIR CONDITIONER COMPRESSOR HOSE	95 - 12	1H13	ASSEMBLY, CLUTCH (STARTER).....	40 - 60
2F1	AIR CONDITIONER CONDENSER AND OIL COOLER	70 - 6	2F13	ASSEMBLY, SIX STACK SOLENOID CONTROL VALVE	70 - 18
3B13	AIR CONDITIONING AND HEATER DUCTS	95 - 7	2E11	ATTENUATOR	60 - 16
3B16	AIR CONDITIONING SYSTEM EVAPORATOR HEATER.....	95 - 10	3F2	AUGER BED ASSEMBLY	125 - 2
3B15	AIR CONDITIONING SYSTEM RECEIVER-DRYER	95 - 9	3K4	AUGER COUNTERSHAFT DRIVE, UNLOADING	140 - 52
3B14	AIR CONDITIONING SYSTEM WATER VALVE ASSEMBLY	95 - 8	3G6	AUGER HOUSING, LOADING, UPPER CLEAN GRAIN	130 - 10
1G13	AIR CONDITIONING WIRING HARNESS	40 - 36	3F4	AUGER SHAFT AND BEARINGS.....	125 - 4
1B17	AIR COOLER, CHARGE	20 - 12	4C5	AUGER, CROSS	150 - 24
2I10	AIR DEFLECTORS, ENGINE	80 - 36	4B21	AUGER, HORIZONTAL UNLOADING (17- AND 20-FT.).....	150 - 16
1E24	AIR DUCT, AIR CLEANER	30 - 20	3G10	AUGER, LOADING, CLEAN GRAIN	130 - 14
3B10	AIR DUCT, BLOWER.....	95 - 4	3G20	AUGER, LOWER TAILINGS	130 - 24
3B8	AIR DUCT, INTAKE	95 - 2	3F23	AUGER, LOWER, CLEAN GRAIN	130 - 2
1B13	AIR DUCT, RADIATOR FRAME	20 - 8	3G16	AUGER, UPPER TAILINGS ELEVATOR	130 - 20
1B11	AIR DUCT, ROTARY SCREEN DOOR.....	20 - 6	4B19	AUGER, VERTICAL UNLOADING	150 - 14
2J7	AIR SEAT SUSPENSION	90 - 18	2B12	AXLE SPACERS	50 - 4
4D9	AIR SUSPENSION (RUBBER TRACK).....	160 - 8	2B13	AXLE SPACERS	50 - 5
2J7	AIR SUSPENSION, SEAT	90 - 18	2B11	AXLE, ADJUSTABLE REAR (NON-POWERED)	50 - 3
1H11	ALTERNATOR ADJUSTING STRAP.....	40 - 58	4D14	AXLE, BOGEY WHEEL (RUBBER TRACK).....	160 - 14
1H11	ALTERNATOR SUPPORT.....	40 - 58	4D11	AXLE, IDLER (RUBBER TRACK)	160 - 10
1H9	ALTERNATOR, SHEAVE AND BELT (185 AMP)	40 - 56	2B10	AXLE, REAR, ADJUSTABLE (POWERED)	50 - 2
1H7	ALTERNATOR, SHEAVE AND BELT (95 AMP)	40 - 54	2B9	AXLE, REAR, FIXED (NON-POWERED)	50 - 1
2K3	ANTENNA, SPEAKERS AND RADIO	90 - 40	2E15	AXLE, REAR, SPINDLES (HEAVY DUTY).....	60 - 20
3K1	ARM, CLEAN GRAIN ELEVATOR DRIVE TIGHTENER AND IDLER	140 - 48	B		
3J13	ARM, CLEAN GRAIN ELEVATOR DRIVE IDLER ASSEMBLY	140 - 35	2J9	BACKREST, OPERATOR'S.....	90 - 20
3J22	ARM, DISCHARGE BEATER DRIVE IDLER ASSEMBLY	140 - 44	2E17	BALL JOINT, STEERING TIE ROD	60 - 22
3J17	ARM, FAN DRIVE	140 - 39	2I22	BARRIERS, CAB INTERIOR	90 - 8
3J10	ARM, FEED ACCELERATOR DRIVE IDLER	140 - 32	2I24	BASE, DOME LIGHT	90 - 10
			1E14	BASE, FUEL FILTER.....	30 - 10
			1D12	BASE, OIL FILTER	25 - 32

ALPHABETICAL INDEX - CONTINUED

GRID		PAGE	GRID		PAGE
1H4	BATTERIES AND CABLES	40 - 51	1G17	BLADE, WIPER (LONG)	40 - 40
1C21	BEARING KIT, UNDERSIZED MAIN BEARING CRANKSHAFT	25 - 13	3F16	BLADES, CLEANING FAN ASSEMBLY	125 - 16
4D16	BEARING, BOGEY WHEEL (RUBBER TRACK)	160 - 16	3H18	BLADES, STRAW SPREADER	135 - 18
4D14	BEARING, BOGEY WHEEL AXLE (RUBBER TRACK)	160 - 14	1C14	BLOCK, SHORT	25 - 6
3E8	BEARING, ROTOR	120 - 13	3B10	BLOWER AIR DUCT	95 - 4
3H22	BEARING, STRAW SPREADER	135 - 22	3B10	BLOWER FAN, AIR CONDITION AND HEATER	95 - 4
1C22	BEARING, THRUST	25 - 14	4D16	BOGEY WHEEL ASSEMBLY (RUBBER TRACK)	160 - 16
3F4	BEARINGS, AUGER BED	125 - 4	4D14	BOGEY WHEEL AXLES (RUBBER TRACK)	160 - 14
2C20	BEARINGS, CAM LOBE MOTOR	50 - 40	1D2	BOLTS, CYLINDER HEAD	25 - 20
3F19	BEARINGS, CLEANING FAN	125 - 20	3G5	BOOT ASSEMBLY, CLEAN GRAIN ELEVATOR	130 - 8
2C6	BEARINGS, FINAL DRIVE	50 - 24	4D17	BOX, GEAR, TRANSFER (RUBBER TRACK)	160 - 18
4D13	BEARINGS, IDLER WHEEL (RUBBER TRACK)	160 - 12	2I12	BOX, TOOL	80 - 38
1C22	BEARINGS, MAIN	25 - 14	3C15	BRACE, FIXED SPEED FEEDER HOUSE DRIVE TIGHTENER	110 - 14
2B24	BEARINGS, TRANSMISSION	50 - 16	3H12	BRACE, STRAW CHOPPER JACKSHAFT	135 - 12
2C1	BEARINGS, TRANSMISSION PINION SHAFT	50 - 18	3C13	BRACE, VARIABLE SPEED FEEDER HOUSE DRIVE TIGHTENER	110 - 12
3E19	BEATER ASSEMBLY, DISCHARGE	120 - 26	2B11	BRACKET, ADJUSTABLE REAR AXLE (NON-POWERED)	50 - 3
3F2	BED ASSEMBLY, AUGER	125 - 2	2B10	BRACKET, ADJUSTABLE REAR AXLE (POWERED)	50 - 2
2J20	BELLCRANK, FEEDER HOUSE REVERSER FOOT CONTROL	90 - 32	1E24	BRACKET, AIR CLEANER	30 - 20
4D23	BELT AND DRIVE WHEEL (RUBBER TRACK)	160 - 24	1H9	BRACKET, ALTERNATOR (185 AMP)	40 - 56
2F21	BELT PICKUP/REEL DRIVE, PUMP MOUNTING SHEAVE	70 - 26	1H7	BRACKET, ALTERNATOR (95 AMP)	40 - 54
1H9	BELT, ALTERNATOR (185 AMP)	40 - 56	3B8	BRACKET, ATC CONTROLLER	95 - 2
1H7	BELT, ALTERNATOR (95 AMP)	40 - 54	3F4	BRACKET, AUGER BED SHAFT	125 - 4
4F6	BELT, CLEAN GRAIN ELEVATOR	170 - 28	2E8	BRACKET, BRAKE CABLE SUPPORT	60 - 13
3K1	BELT, CLEAN GRAIN ELEVATOR DRIVE TIGHTENER AND IDLER	140 - 48	2E1	BRACKET, BRAKE LINES	60 - 6
4F6	BELT, CLEANING FAN	170 - 28	2J1	BRACKET, CAB GLASS	90 - 12
3J16	BELT, CLEANING FAN DRIVE	140 - 38	2I20	BRACKET, CAB REAR SIDE PANELS	90 - 6
3H12	BELT, COUNTERSHAFT	135 - 12	3G5	BRACKET, CLEAN GRAIN ELEVATOR BOOT ASSEMBLY	130 - 8
4F8	BELT, COUNTERSHAFT, DISCHARGE BEATER AND CHOPPER	170 - 30	3F23	BRACKET, CLEAN GRAIN LOWER AUGER	130 - 2
3H12	BELT, DISCHARGE BEATER	135 - 12	3F17	BRACKET, CLEANING FAN	125 - 18
3J24	BELT, ELEVATOR DRIVE JACKSHAFT ASSEMBLY	140 - 46	4C5	BRACKET, CROSS AUGERS	150 - 24
3J17	BELT, FAN DRIVE	140 - 39	4C11	BRACKET, DISPLAY YIELD MAPPING	155 - 4
4F6	BELT, FEED ACCELERATOR	170 - 28	3I7	BRACKET, ENGINE GEARCASE OIL FILTER ASSEMBLY	140 - 4
3J10	BELT, FEED ACCELERATOR DRIVE IDLER	140 - 32	1H15	BRACKET, FEEDER HOUSE BACKSHAFT SPEED SENSOR	40 - 62
3C17	BELT, FEEDER HOUSE DRIVE TIGHTENER	110 - 16	2G5	BRACKET, FEEDER HOUSE GEARCASE OIL COOLER	70 - 34
3C17	BELT, HEADER AND REEL PUMP (HI-CAPACITY)	110 - 16	3D3	BRACKET, FEEDER HOUSE UPPER SHAFT	110 - 26
3C17	BELT, HEADER AND REEL PUMP (STANDARD)	110 - 16	2B9	BRACKET, FIXED REAR AXLE (NON-POWERED)	50 - 1
3J7	BELT, HEADER ELECTROMAGNETIC CLUTCH (HI-CAPACITY)	140 - 28	3C15	BRACKET, FIXED SPEED FEEDER HOUSE DRIVE TIGHTENER	110 - 14
3J7	BELT, HEADER ELECTROMAGNETIC CLUTCH (STANDARD)	140 - 28	2J22	BRACKET, GEARSHIFT LEVER	90 - 34
4F6	BELT, R.H. JACKSHAFT (FRONT)	170 - 28	3J7	BRACKET, HEADER ELECTROMAGNETIC CLUTCH	140 - 28
4F6	BELT, R.H. JACKSHAFT (REAR)	170 - 28	4C3	BRACKET, HORIZONTAL UNLOADING AUGER SWIVEL	150 - 22
1B10	BELT, ROTARY SCREEN	20 - 4	2I19	BRACKET, HORN ASSEMBLY	90 - 4
1B8	BELT, ROTARY SCREEN DRIVE	20 - 2	3D9	BRACKET, IDLER, FEEDER CONVEYOR	110 - 32
4F10	BELT, ROTARY SCREEN DRIVE (ENGINE SIDE)	170 - 32	2B24	BRACKET, INPUT SHAFT	50 - 16
4F10	BELT, ROTARY SCREEN DRIVE (SCREEN SIDE)	170 - 32	1H23	BRACKET, L.H. FRONT LIGHT	40 - 70
3I19	BELT, SEPARATOR DRIVE VARIABLE SPEED	140 - 16	2K7	BRACKET, LADDER EXTENSION ASSEMBLY	90 - 44
4F6	BELT, SHOE FAN AND CONVEYOR AUGERS	170 - 28	1I5	BRACKET, LIGHT SWITCH	40 - 77
3H12	BELT, STRAW CHOPPER	135 - 12	3G20	BRACKET, LOWER TAILINGS AUGER	130 - 24
3H12	BELT, STRAW CHOPPER JACKSHAFT	135 - 12	2F17	BRACKET, MAIN HYDRAULIC FILTER	70 - 22
4F8	BELT, STS VARIABLE BELT	170 - 30	4C13	BRACKET, MASS FLOW SENSOR YIELD MAPPING	155 - 6
4F6	BELT, TAILINGS AUGER AND ELEVATOR	170 - 28	1I6	BRACKET, MOISTURE SENSOR	40 - 78
3K4	BELT, UNLOADING AUGER COUNTERSHAFT DRIVE	140 - 52	4C15	BRACKET, MOISTURE SENSOR YIELD MAPPING	155 - 8
4F8	BELT, UNLOADING AUGER SYSTEM	170 - 30	2G12	BRACKET, ONE HALF GALLON ACCUMULATOR	70 - 41
3G14	BELT, UPPER TAILINGS ELEVATOR	130 - 18	4C9	BRACKET, POSITION RECEIVER YIELD MAPPING	155 - 2
3C4	BELT, VARIABLE SPEED FEEDER HOUSE (HI-CAPACITY)	110 - 2	3J8	BRACKET, PRIMARY COUNTERSHAFT	140 - 30
3C4	BELT, VARIABLE SPEED FEEDER HOUSE (STANDARD)	110 - 2			
3H8	BLADE, STRAW CHOPPER ROTOR	135 - 8			

ALPHABETICAL INDEX - CONTINUED

GRID		PAGE	GRID		PAGE
1H24	BRACKET, R.H. FRONT LIGHT	40 - 71	1D1	BUSHING, CAMSHAFT	25 - 18
2H19	BRACKET, R.H. FRONT PANEL	80 - 18	4D5	BUSHINGS, MAIN FRAME PIVOT (RUBBER TRACK)	160 - 4
1B11	BRACKET, ROTARY SCREEN DOOR	20 - 6	1D10	BYPASS TUBES, OIL COOLER	25 - 29
3E8	BRACKET, ROTOR	120 - 13	1D12	BYPASS VALVE, OIL FILTER.....	25 - 32
2J5	BRACKET, SEAT CONSOLE	90 - 16			
3I19	BRACKET, SEPARATOR DRIVE VARIABLE SPEED	140 - 16		C	
2E13	BRACKET, STEERING CYLINDER AND HOSES	60 - 18	3B12	CAB AIR FILTER AND HOUSING	95 - 6
3H3	BRACKET, STRAW CHOPPER	135 - 2	2J1	CAB DOOR	90 - 12
3H24	BRACKET, STRAW SPREADER LATCH AND HANDLE	135 - 24	2J3	CAB DOOR LATCH	90 - 14
3H20	BRACKET, STRAW SPREADER SHIELDS	135 - 20	2J1	CAB GLASS	90 - 12
3G18	BRACKET, TAILINGS ELEVATOR	130 - 22	2K12	CAB HARDWARE KIT	90 - 50
3J19	BRACKET, TAILINGS ELEVATOR DRIVE IDLER ASSEMBLY	140 - 41	2I22	CAB INTERIOR PANELS, SEALS AND FLOOR MAT....	90 - 8
2I12	BRACKET, TOOL BOX	80 - 38	2K8	CAB LANDING AND MIRROR L.H.	90 - 46
4C13	BRACKET, TRANSDUCER MOUNTING YIELD MAPPING	155 - 6	2K10	CAB LANDING AND MIRROR R.H.	90 - 48
3C13	BRACKET, VARIABLE SPEED FEEDER HOUSE DRIVE TIGHTENER	110 - 12	1G7	CAB MAIN WIRING HARNESS.....	40 - 30
3B14	BRACKET, WATER VALVE ASSEMBLY (AIR CONDITIONING SYSTEM)	95 - 8	2I20	CAB REAR, SIDE AND FLOOR PANELS	90 - 6
2D14	BRACKET, 4-WHEEL DRIVE HOSES AND LINES	50 - 60	1H22	CAB ROOF LIGHTS	40 - 69
1F1	BRACKETS AND SUPPORTS, AIR CLEANER	30 - 22	2I24	CAB ROOF, INTERIOR	90 - 10
1C2	BRACKETS, AIR CONDITIONER COMPRESSOR	20 - 22	2I17	CAB SUPPORT	90 - 2
2I22	BRACKETS, CAB INTERIOR	90 - 8	2E5	CABLE, BRAKE SHOES AND DRUM	60 - 10
1H3	BRACKETS, CENTRAL ELECTRONICS BOARD	40 - 50	4C21	CABLE, DATASTORE/COMPUTER	155 - 14
2I8	BRACKETS, ENGINE ACCESS DOOR	80 - 34	3D1	CABLE, FEEDER HOUSE (CONTOUR MASTER).....	110 - 24
2I6	BRACKETS, ENGINE PLATFORM LADDER, HANDRAIL	80 - 32	2J20	CABLE, FEEDER HOUSE REVERSER FOOT CONTROL	90 - 32
3D15	BRACKETS, FEEDER HOUSE POSITION SENSOR	110 - 38	2J22	CABLE, GEARSHIFT LEVER	90 - 34
4B8	BRACKETS, GRAIN TANK	150 - 2	3C19	CABLE, L.H. DRIVE SHIELDS	110 - 18
4B12	BRACKETS, GRAIN TANK EXTENSIONS (9750 STS).....	150 - 6	3C21	CABLE, R.H. DRIVE SHIELDS	110 - 20
1I4	BRACKETS, GRAIN TANK FULL BIN SENSOR	40 - 76	1F14	CABLE, WIRING	40 - 8
2D6	BRACKETS, HYDROSTATIC DRIVE OIL LINES AND HOSES, LOWER (TWO WHEEL DRIVE)	50 - 52	1H4	CABLES, BATTERY.....	40 - 51
2H13	BRACKETS, L.H. GULLWING DOOR.....	80 - 12	2C8	CABLES, CONTROL, HYDROSTATIC DRIVE	50 - 26
2H11	BRACKETS, LEFT FRONT PANEL AND DOOR	80 - 10	2C22	CAM LOBE MOTOR INNER COVER, MANIFOLD, AND PACKING	50 - 42
1H20	BRACKETS, LOW SHAFT SPEED SENSORS	40 - 67	2C20	CAM LOBE MOTOR SHAFT, OUTER COVER, BEARINGS, AND SEALS	50 - 40
2F1	BRACKETS, OIL COOLER AND AIR CONDITIONER CONDENSER	70 - 6	2C24	CAM, CARRIER, AND PISTON.....	50 - 45
2H21	BRACKETS, R.H. GULLWING DOOR	80 - 20	3F6	CAMS, CHAFFER FRAME	125 - 6
2H23	BRACKETS, R.H. REAR RADIATOR DOOR	80 - 22	3I21	CAMS, SEPARATOR DRIVE TORQUE SENSING	140 - 18
2H24	BRACKETS, REAR ACCESS DOOR	80 - 24	3F14	CAMS, SIEVE ELEMENT	125 - 14
2F15	BRACKETS, SOLENOID CONTROL VALVE	70 - 20	1D1	CAMSHAFT	25 - 18
3H10	BRACKETS, STRAW CHOPPER	135 - 10	1C12	CAMSHAFT BUSHING	25 - 4
3H16	BRACKETS, STRAW SPREADER FRAME	135 - 16	1D1	CAMSHAFT BUSHING	25 - 18
1G17	BRACKETS, WINDSHIELD WIPER	40 - 40	1D1	CAMSHAFT FOLLOWER.....	25 - 18
2E8	BRAKE CABLE SUPPORT BRACKET	60 - 13	1D4	CAMSHAFT FOLLOWER.....	25 - 22
2E3	BRAKE CYLINDER, MASTER.....	60 - 8	1D1	CAMSHAFT GEAR.....	25 - 18
2E1	BRAKE LINES AND RESERVOIR	60 - 6	1E18	CAP, FILLER, FUEL TANK	30 - 14
2D23	BRAKE PEDALS	60 - 4	4B17	CAP, GRAIN TANK CLEAN OUT CHUTE	150 - 12
2E5	BRAKE SHOES AND DRUM.....	60 - 10	1C12	CAPS, MAIN BEARING	25 - 4
4D21	BRAKE SHOES AND DRUM (RUBBER TRACK)	160 - 22	2D1	CAPS, YOKE AND PIVOTS	50 - 46
2E7	BRAKE SLAVE CYLINDER	60 - 12	2C24	CARRIER, PISTON, AND CAM.....	50 - 45
1E20	BREATHING, DOUBLE, FUEL TANK.....	30 - 16	2D16	CASE DRAIN, 4-WHEEL DRIVE, HYDRAULIC LINES	50 - 62
1E18	BREATHING, FUEL TANK	30 - 14	4D17	CASE, GEAR, TRANSFER (RUBBER TRACK)	160 - 18
2B24	BREATHING, INPUT SHAFT HOUSING	50 - 16	1H1	CENTRAL ELECTRONICS MODULE AND CIRCUIT BOARDS	40 - 48
1B11	BRUSH, ROTARY SCREEN DOOR	20 - 6	1H1	CENTRAL ELECTRONICS MODULE CIRCUIT BOARDS	40 - 48
1I8	BULB, CLEANING SHOE INSPECTION LIGHT.....	40 - 80	2G18	CHAFF SPREADER MOTOR, HOSE AND FITTINGS....	70 - 47
2I24	BULB, DOME LIGHT	90 - 10	2G1	CHAFF SPREADER PUMP	70 - 30
1H23	BULB, L.H. FRONT LIGHT	40 - 70	2G1	CHAFF SPREADER PUMP, REEL/BELT PICKUP DRIVE	70 - 30
1H24	BULB, R.H. FRONT LIGHT	40 - 71	3F6	CHAFFER FRAME	125 - 6
1H25	BULB, REAR LIGHT (AMBER)	40 - 72	3F8	CHAFFER FRAME (CONTINUED)	125 - 8
1I1	BULB, REAR TURN AND TAIL LIGHTS	40 - 73	3J20	CHAFFER FRAME SHOE DRIVE	140 - 42
1I2	BULB, SIDE FINDER LIGHTS.....	40 - 74	3F10	CHAFFER SHAFT AND ELEMENT ADJUST.....	125 - 10
1H22	BULBS, CAB ROOF LIGHT.....	40 - 69			
1C12	BUSHING, CAMSHAFT	25 - 4			

ALPHABETICAL INDEX - CONTINUED

GRID		PAGE	GRID		PAGE
4C5	CHAIN SPROCKET, CROSS AUGERS	150 - 24	1H18	CONCAVE ADJUSTING MOTOR	40 - 65
3G20	CHAIN SPROCKET, LOWER TAILINGS AUGER	130 - 24	1H19	CONCAVE ADJUSTING MOTOR	40 - 66
3K4	CHAIN SPROCKET, UNLOADING AUGER COUNTERSHAFT DRIVE	140 - 52	3E14	CONCAVE CLEARANCE INDICATOR SENSOR	120 - 20
3G14	CHAIN SPROCKET, UPPER TAILINGS ELEVATOR	130 - 18	3E16	CONCAVE CLEARANCE INDICATOR SENSOR	120 - 22
3F23	CHAIN SPROCKET, CLEAN GRAIN LOWER AUGER	130 - 2	3E14	CONCAVES	120 - 20
3D9	CHAIN, DRIVE, FEEDER CONVEYOR	110 - 32	3E16	CONCAVES	120 - 22
4F6	CHAIN, FEEDER CONVEYOR	170 - 28	2F1	CONDENSER, AIR CONDITIONER AND OIL COOLER	70 - 6
3D7	CHAIN, FEEDER HOUSE CONVEYOR	110 - 30	1C11	CONDITIONER, COOLANT	25 - 2
3K7	CHAIN, UNLOADING AUGER DRIVE SPROCKET IDLER ASSEMBLY	140 - 55	3E13	CONE ASSEMBLY, SEPARATOR	120 - 18
4F8	CHAIN, UNLOADING AUGER SYSTEM	170 - 30	1C18	CONNECTING RODS	25 - 10
3E8	CHANNEL, ROTOR	120 - 13	1F8	CONNECTORS, ELECTRICAL, WEATHERPACK	40 - 2
3F14	CHANNEL, SIEVE ELEMENT	125 - 14	1C6	CONNECTORS, ENGINE HEATER HOSE	20 - 27
1B17	CHARGE AIR COOLER	20 - 12	1E10	CONNECTORS, FUEL INJECTION PUMP HOUSING ..	30 - 6
4B19	CHARGE HOUSING AND VERTICAL UNLOADING AUGER	150 - 14	1F16	CONNECTORS, SUPPLEMENTARY TERMINALS	40 - 10
3H14	CHOPPER AND SPREADER DRIVE SHIELDS	135 - 14	2K1	CONSOLE, OVERHEAD	90 - 38
3H5	CHOPPER DEFLECTORS	135 - 4	2J5	CONSOLE, SEAT	90 - 16
3H6	CHOPPER HOUSING AND KNIFEBANK	135 - 6	2J5	CONTAINER, SEAT CONSOLE	90 - 16
3H3	CHOPPER, STRAW	135 - 2	1E16	CONTAINER, STARTING FLUID	30 - 12
4B17	CHUTE, GRAIN TANK CLEAN OUT	150 - 12	2F8	CONTOUR MASTER SOLENOID CONTROL RELIEF VALVE	70 - 13
2K1	CIRCUIT BOARD, OVERHEAD CONSOLE	90 - 38	2G8	CONTOUR MASTER TILT CYLINDER	70 - 37
1H1	CIRCUIT BOARDS, CENTRAL ELECTRONICS MODULE	40 - 48	2G9	CONTOUR MASTER TILT CYLINDER HOSES FITTINGS	70 - 38
3B8	CIRCUIT BOX, ATC	95 - 2	2C8	CONTROL CABLES, HYDROSTATIC DRIVE	50 - 26
1H5	CIRCUIT BREAKER, RELAY PANEL	40 - 52	2J12	CONTROL PANEL, ARMREST	90 - 24
3G1	CLEAN GRAIN ELEVATOR	130 - 4	2J14	CONTROL PANEL, ARMREST (CONTINUED)	90 - 26
3G5	CLEAN GRAIN ELEVATOR BOOT ASSEMBLY	130 - 8	1E8	CONTROL UNIT, ELECTRONIC	30 - 4
3J13	CLEAN GRAIN ELEVATOR DRIVE IDLER ASSEMBLY	140 - 35	2D4	CONTROL VALVE	50 - 50
3K1	CLEAN GRAIN ELEVATOR DRIVE TIGHTENER AND IDLER	140 - 48	2F13	CONTROL VALVE MODULE, SIX STACK SOLENOID ASSEMBLY & MOUNTINGS	70 - 18
3G8	CLEAN GRAIN ELEVATOR GEARCASE AND SHEAVE	130 - 12	2C15	CONTROL VALVE, HYDROSTATIC DRIVE DISPLACEMENT	50 - 34
3G3	CLEAN GRAIN ELEVATOR UPPER SHAFT, SPROCKET AND SHEAVE	130 - 6	2F7	CONTROL VALVE, SOLENOID, AUGER SWING	70 - 12
3G10	CLEAN GRAIN LOADING AUGER	130 - 14	2G17	CONTROL VALVE, STRAW SPREADER	70 - 46
3F23	CLEAN GRAIN LOWER AUGER AND HINGED DOOR	130 - 2	1G19	CONTROLLERS, GRAIN LOSS MONITOR	40 - 42
4B17	CLEAN OUT CHUTE, GRAIN TANK	150 - 12	1F17	CONVENIENCE OUTLET, KIT	40 - 12
1E25	CLEANER, AIR	30 - 21	3J23	CONVEYOR AUGER DRIVE/TAILINGS ELEVATOR SLIP CLUTCH	140 - 45
3F16	CLEANING FAN ASSEMBLY	125 - 16	1C11	COOLANT CONDITIONER, ENGINE	25 - 2
3F17	CLEANING FAN COVERS AND SUPPORTS	125 - 18	1C3	COOLANT HEATER, ENGINE BLOCK	20 - 24
3J16	CLEANING FAN DRIVE	140 - 38	1B19	COOLANT RECOVERY TANK	20 - 14
3F19	CLEANING FAN SHAFT AND BEARINGS	125 - 20	1C11	COOLANT SCAN TEST KIT	25 - 2
1I8	CLEANING SHOE INSPECTION LIGHT	40 - 80	1B17	COOLER, CHARGE AIR	20 - 12
1E22	CLEAT MATS, ENGINE PLATFORM	30 - 18	1D11	COOLER, ENGINE OIL	25 - 30
1H13	CLUTCH ASSEMBLY (STARTER)	40 - 60	2J24	CORNERPOST DISPLAY PANEL, R.H.	90 - 36
3I11	CLUTCH DISK, MAIN GEARCASE (9650 STS)	140 - 8	3K4	COUNTERSHAFT DRIVE, UNLOADING AUGER	140 - 52
3I13	CLUTCH DISK, MAIN GEARCASE (9750 STS)	140 - 10	3J5	COUNTERSHAFT GEARCASE, PRIMARY	140 - 26
3B19	CLUTCH, COMPRESSOR R134A	95 - 13	3J8	COUNTERSHAFT, PRIMARY	140 - 30
3J7	CLUTCH, HEADER ELECTROMAGNETIC	140 - 28	3D11	COUNTERSHAFT, UPPER, VARIABLE SPEED FEEDER HOUSE	110 - 34
3D19	CLUTCH, SLIP (RADIAL PIN)	110 - 42	1B25	COUPLING HUB, ENGINE GEARCASE	20 - 20
3J23	CLUTCH, SLIP, CONVEYOR AUGER DRIVE/ TAILINGS ELEVATOR	140 - 45	2C5	COUPLING, DRIVE SHAFT, FINAL DRIVE	50 - 23
3J23	CLUTCH, SLIP, TAILINGS ELEVATOR/ CONVEYOR AUGER DRIVE	140 - 45	2B24	COUPLING, INPUT SHAFT	50 - 16
2J18	COLD WEATHER START BUTTON	90 - 30	2B12	COUPLINGS, AXLE	50 - 4
1E16	COLD WEATHER STARTING AID	30 - 12	2B13	COUPLINGS, AXLE	50 - 5
2J16	COLUMN, STEERING (LOWER)	90 - 28	3E11	COVER REPAIR KIT	120 - 16
2J18	COLUMN, STEERING (UPPER)	90 - 30	1E25	COVER, AIR CLEANER	30 - 21
1C2	COMPRESSOR BRACKETS, AIR CONDITIONER	20 - 22	3H6	COVER, CHOPPER HOUSING	135 - 6
3B18	COMPRESSOR HOSE, AIR CONDITIONER	95 - 12	3H14	COVER, CHOPPER/SPREADER DRIVE SHIELDS	135 - 14
3B21	COMPRESSOR PARTS	95 - 15	3G8	COVER, CLEAN GRAIN ELEVATOR GEARCASE	130 - 12
3B17	COMPRESSOR, AIR CONDITIONING, R134A	95 - 11	3F23	COVER, CLEAN GRAIN LOWER AUGER	130 - 2
3B19	COMPRESSOR, CLUTCH R134A	95 - 13	3F17	COVER, CLEANING FAN	125 - 18
3E14	CONCAVE ADJUSTING ASSEMBLY	120 - 20	4C5	COVER, CROSS AUGERS	150 - 24
3E16	CONCAVE ADJUSTING ASSEMBLY	120 - 22	2I24	COVER, DOME LIGHT	90 - 10
			2I10	COVER, ENGINE	80 - 36
			2C14	COVER, HYDROSTATIC DRIVE CHARGE PUMP	50 - 33

ALPHABETICAL INDEX - CONTINUED

<i>GRID</i>		<i>PAGE</i>	<i>GRID</i>		<i>PAGE</i>
2C17	COVER, HYDROSTATIC DRIVE MOTOR	50 - 36	4D11	CYLINDER, TENSION AND ATTACHING HARDWARE (RUBBER TRACK)	160 - 10
2C10	COVER, HYDROSTATIC DRIVE PUMP	50 - 28	2G8	CYLINDER, TILT (CONTOUR MASTER)	70 - 37
2C22	COVER, INNER, CAM LOBE MOTOR	50 - 42	2G19	CYLINDER, UNLOADING AUGER BELT TENSIONING	70 - 48
3I15	COVER, MAIN GEARCASE	140 - 12	2G21	CYLINDER, UNLOADING AUGER SWING	70 - 50
4C15	COVER, MOISTURE SENSOR YIELD MAPPING	155 - 8	3D11	CYLINDER, VARIABLE SPEED FEEDER HOUSE	110 - 34
1D11	COVER, OIL COOLER	25 - 30			
2C20	COVER, OUTER, CAM LOBE MOTOR	50 - 40		D	
4C9	COVER, POSITION RECEIVER YIELD MAPPING	155 - 2	1C19	DAMPER KEY	25 - 11
3B8	COVER, PRESSURE BLOWER	95 - 2	1E3	DAMPER, CRANKSHAFT	25 - 50
3B10	COVER, RECIRCULATION BLOWER	95 - 4	4C21	DATASTORE	155 - 14
3C9	COVER, REVERSER GEARBOX (STANDARD)	110 - 8	4C19	DATASTORE MODULE	155 - 12
1D5	COVER, ROCKER ARM	25 - 23	4C21	DATASTORE MODULE	155 - 14
3E8	COVER, ROTOR	120 - 13	4C19	DATASTORE W/DISPLAY	155 - 12
3I21	COVER, SEPARATOR DRIVE TORQUE SENSING	140 - 18	4C22	DECALS YIELD MONITOR	155 - 15
3E18	COVER, SEPARATOR GRATE	120 - 24	4E11	DECALS AND LOCATIONS, SAFETY	170 - 8
1C1	COVER, START RELAY	20 - 21	4E9	DECALS AND ROADWAY MARKINGS LOCATIONS, SAFETY	170 - 6
2J16	COVER, STEERING COLUMN (LOWER)	90 - 28	4C22	DECALS, DISPLAY YIELD MONITOR	155 - 15
3H8	COVER, STRAW CHOPPER ROTOR	135 - 8	4E25	DECALS, FRENCH CANADIAN	170 - 22
3G18	COVER, TAILINGS ELEVATOR	130 - 22	4E19	DECALS, FRONT AND REAR	170 - 16
1D19	COVER, THERMOSTAT	25 - 40	4E23	DECALS, FRONT AND REAR TIRE	170 - 20
1C25	COVER, TIMING GEAR	25 - 17	4E17	DECALS, L.H.	170 - 14
3G6	COVER, UPPER GRAIN LOADING AUGER HOUSING	130 - 10	4C22	DECALS, MOISTURE SENSOR YIELD MONITOR	155 - 15
3G16	COVER, UPPER TAILINGS ELEVATOR	130 - 20	4F1	DECALS, PORTUGUESE	170 - 23
2I24	COVERS, CAB ROOF	90 - 10	4E15	DECALS, R.H.	170 - 12
3E5	COVERS, DUST	120 - 10	4F2	DECALS, ROMANIAN	170 - 24
4B8	COVERS, GRAIN TANK	150 - 2	4F3	DECALS, RUSSIAN	170 - 25
4C1	COVERS, HORIZONTAL UNLOADING AUGER HOUSING (EXPORT) (17 AND 20 FT.)	150 - 20	4E13	DECALS, SAFETY AND LOCATIONS	170 - 10
4B23	COVERS, HORIZONTAL UNLOADING AUGER HOUSING (17 AND 20 FT.)	150 - 18	4E7	DECALS, SAFETY, L.H. SIDE	170 - 4
3I9	COVERS, MAIN GEARCASE	140 - 6	4E5	DECALS, SAFETY, R.H. SIDE	170 - 2
1I6	COVERS, MOISTURE SENSOR	40 - 78	4E21	DECALS, SAFETY, RUBBER TRACK	170 - 18
4C17	COVERS, MOISTURE SENSOR YIELD MAPPING	155 - 10	4F4	DECALS, SPANISH	170 - 26
3C6	COVERS, REVERSER GEARBOX (HI-CAPACITY)	110 - 4	4F5	DECALS, UKRAINIAN	170 - 27
3E3	COVERS, TOP SEPARATOR	120 - 8	4C13	DEFLECTOR DOOR, MASS FLOW SENSOR YIELD MAPPING	155 - 6
4B17	COVERS, VERTICAL AUGER LOWER GEARCASE	150 - 12	3F17	DEFLECTOR, CLEANING FAN	125 - 18
4C17	COVERS, WHEN MOISTURE SENSOR IS NOT USED YIELD MAPPING	155 - 10	2I8	DEFLECTOR, ENGINE ACCESS DOOR	80 - 34
2C3	CRADLE, TRANSMISSION/DIFFERENTIAL	50 - 20	1E22	DEFLECTOR, ENGINE PLATFORM	30 - 18
2J16	CRANK, STEERING COLUMN (LOWER)	90 - 28	3C23	DEFLECTOR, FEEDER HOUSE FRAME	110 - 22
1C5	CRANKCASE, ENGINE, OIL DRAIN	20 - 26	3G12	DEFLECTOR, LOADING AUGER SPOUT ASSEMBLY	130 - 16
1C19	CRANKSHAFT	25 - 11	3H10	DEFLECTOR, STRAW CHOPPER	135 - 10
1C25	CRANKSHAFT FRONT OIL SEAL	25 - 17	3H3	DEFLECTOR, STRAW CHOPPER SIDE	135 - 2
1C20	CRANKSHAFT KIT, UNDERSIZE (CONNECTING ROD JOURNAL)	25 - 12	3G6	DEFLECTOR, UPPER GRAIN LOADING AUGER HOUSING	130 - 10
1C21	CRANKSHAFT KIT, UNDERSIZED MAIN BEARING	25 - 13	2I10	DEFLECTORS, AIR, ENGINE	80 - 36
1E3	CRANKSHAFT PULLEY AND DAMPER	25 - 50	3F8	DEFLECTORS, CHAFFER FRAME	125 - 8
3H18	CROP DIVIDER, STRAW SPREADER	135 - 18	3H5	DEFLECTORS, CHOPPER	135 - 4
4C5	CROSS AUGERS	150 - 24	3D22	DEFLECTORS, SEPARATOR/FEEDER HOUSE	120 - 2
3H18	CURTAIN, LIMIT, STRAW SPREADER	135 - 18	3H18	DEFLECTORS, STRAW SPREADER	135 - 18
3H20	CURTAINS, LIMIT, STRAW SPREADER SHIELDS	135 - 20	2F16	DIAL-A-MATIC HEADER HEIGHT CONTROL VALVE	70 - 21
2J9	CUSHIONS, OPERATOR'S SEAT	90 - 20	2C3	DIFFERENTIAL GEARS	50 - 20
1C12	CYLINDER BLOCK FITTINGS	25 - 4	2C3	DIFFERENTIAL SHAFTS	50 - 20
1D2	CYLINDER HEAD	25 - 20	3G8	DIPSTICK, CLEAN GRAIN ELEVATOR GEARCASE	130 - 12
1D2	CYLINDER HEAD BOLTS	25 - 20	1D16	DIPSTICK, ENGINE OIL	25 - 36
1D2	CYLINDER HEAD GASKET	25 - 20	3I15	DIPSTICK, MAIN GEARCASE	140 - 12
1E1	CYLINDER HEAD GASKET KIT	25 - 48	3J5	DIPSTICK, PRIMARY COUNTERSHAFT GEARCASE	140 - 26
1C18	CYLINDER LINERS	25 - 10	3C6	DIPSTICK, REVERSER GEARBOX (HI-CAPACITY)	110 - 4
2F5	CYLINDER SPEED SOLENOID CONTROL VALVE	70 - 10	3C9	DIPSTICK, REVERSER GEARBOX (STANDARD)	110 - 8
2E7	CYLINDER, BRAKE SLAVE	60 - 12			
2E3	CYLINDER, BRAKE, MASTER	60 - 8			
2F19	CYLINDER, HEADER LIFT, HYDRAULIC	70 - 24			
2E13	CYLINDER, STEERING	60 - 18			
4E3	CYLINDER, TENSION (RUBBER TRACK)	160 - 28			

ALPHABETICAL INDEX - CONTINUED

GRID		PAGE	GRID		PAGE
3J1	DIPSTICK, TWO-SPEED GEARBOX	140 - 22	3C19	DRIVE SHIELDS, L.H.	110 - 18
3E19	DISCHARGE BEATER ASSEMBLY	120 - 26	3C21	DRIVE SHIELDS, R.H.	110 - 20
3J22	DISCHARGE BEATER DRIVE IDLER ASSEMBLY	140 - 44	3D9	DRIVE SPROKET, FEEDER CONVEYOR	110 - 32
3E23	DISCHARGE GRATE ASSEMBLY	120 - 30	3K1	DRIVE TIGHTENER, CLEAN GRAIN ELEVATOR	140 - 48
3E9	DISCHARGE HOUSING, SEPARATOR	120 - 14	3C17	DRIVE TIGHTENER, FEEDER HOUSE	110 - 16
3I11	DISK, CLUTCH, MAIN GEARCASE (9650 STS)	140 - 8	3C13	DRIVE TIGHTENER, FEEDER HOUSE, VARIABLE SPEED	110 - 12
3I13	DISK, CLUTCH, MAIN GEARCASE (9750 STS)	140 - 10	3C15	DRIVE TIGHTENER, FIXED SPEED FEEDER HOUSE	110 - 14
3H18	DISK, STRAW SPREADER	135 - 18	4D23	DRIVE WHEEL AND BELT (RUBBER TRACK)	160 - 24
2C15	DISPLACEMENT CONTROL VALVE, HYDROSTATIC DRIVE	50 - 34	2B14	DRIVE WHEELS	50 - 6
4C11	DISPLAY YIELD MAPPING	155 - 4	2B15	DRIVE WHEELS, HIGH FLOTATION	50 - 7
4C11	DISPLAY BRACKET YIELD MAPPING	155 - 4	2F21	DRIVE, BELT PICKUP/REEL PUMP MOUNTING SHEAVE	70 - 26
4C22	DISPLAY DECALS YIELD MONITOR	155 - 15	3J16	DRIVE, CLEANING FAN	140 - 38
2J24	DISPLAY PANEL, R.H. CORNERPOST	90 - 36	1B21	DRIVE, FAN, ENGINE	20 - 16
4C19	DISPLAY W/DATASTORE	155 - 12	2C6	DRIVE, FINAL	50 - 24
3H18	DIVIDER, CROP, STRAW SPREADER	135 - 18	2D8	DRIVE, HYDROSTATIC OIL HOSES, UPPER	50 - 54
2I24	DOME LIGHT	90 - 10	2D6	DRIVE, HYDROSTATIC, LOWER OIL LINES (TWO WHEEL DRIVE)	50 - 52
2J3	DOOR LATCH, CAB	90 - 14	2F23	DRIVE, REEL, FLOW CONTROL VALVE	70 - 28
3F2	DOOR, AUGER BED ASSEMBLY	125 - 2	3J20	DRIVE, SHOE, CHAFFER FRAME	140 - 42
2J1	DOOR, CAB	90 - 12	3K4	DRIVE, UNLOADING AUGER COUNTERSHAFT	140 - 52
3H14	DOOR, CHOPPER AND SPREADER DRIVE SHIELDS	135 - 14	3J12	DRIVER SECONDARY JACKSHAFT, FEED ACCELERATOR	140 - 34
2I10	DOOR, ENGINE	80 - 36	3B8	DRIVER, AMBIENT AIR	95 - 2
2I8	DOOR, ENGINE ACCESS	80 - 34	3J3	DRIVESHAFTS, UNIVERSAL, PRIMARY COUNTERSHAFT	140 - 24
3F23	DOOR, HINGED, CLEAN GRAIN LOWER AUGER	130 - 2	4D21	DRUM AND SHOES, BRAKE (RUBBER TRACK)	160 - 22
4B21	DOOR, HORIZONTAL UNLOADING AUGER (17- AND 20-FT.)	150 - 16	2E5	DRUM, BRAKE	60 - 10
4C1	DOOR, HORIZONTAL UNLOADING AUGER HOUSING (EXPORT) (17 AND 20 FT.)	150 - 20	3D7	DRUM, FEEDER HOUSE CONVEYOR	110 - 30
4B23	DOOR, HORIZONTAL UNLOADING AUGER HOUSING (17 AND 20 FT.)	150 - 18	3I11	DRUM, MAIN GEARCASE (9650 STS)	140 - 8
2H13	DOOR, L.H. GULLWING	80 - 12	3I3	DRUM, MAIN GEARCASE (9750 STS)	140 - 10
2H15	DOOR, L.H. REAR GULLWING	80 - 14	2B16	DUAL WHEELS (WIDE-SPACED)	50 - 8
2H11	DOOR, LEFT FRONT	80 - 10	3B13	DUCTS, HEATER AND AIR CONDITIONING	95 - 7
4C13	DOOR, MASS FLOW SENSOR DEFLECTOR YIELD MAPPING	155 - 6	3E5	DUST COVERS	120 - 10
2H23	DOOR, R.H. REAR RADIATOR	80 - 22	3B10	DUST SHIELD, AIR CONDITION AND HEATER	95 - 4
2H24	DOOR, REAR ACCESS	80 - 24			
1B11	DOOR, ROTARY SCREEN	20 - 6		E	
3D22	DOOR, SEPARATOR/FEEDER HOUSE	120 - 2	1E8	E.C.U.	30 - 4
3H3	DOOR, STRAW CHOPPER	135 - 2	1F3	EJECTOR	30 - 24
3G5	DOORS, CLEAN GRAIN ELEVATOR BOOT ASSEMBLY	130 - 8	1F10	ELECTRICAL CONNECTOR SERVICE KIT	40 - 4
4B8	DOORS, GRAIN TANK	150 - 2	1F12	ELECTRICAL CONNECTOR SERVICE KIT (CONTINUED)	40 - 6
3E7	DOORS, SEPARATOR	120 - 12	1F8	ELECTRICAL TERMINALS AND CONNECTORS, WEATHERPACK	40 - 2
3E3	DOORS, SEPARATOR TOP COVER	120 - 8	3J7	ELECTROMAGNETIC CLUTCH, HEADER	140 - 28
3G18	DOORS, TAILINGS ELEVATOR	130 - 22	1E8	ELECTRONIC CONTROL UNIT	30 - 4
1C3	DRAIN PLUG, ENGINE BLOCK	20 - 24	1E8	ELECTRONIC FUEL INJECTION PUMP	30 - 4
2F8	DRAIN PLUG, RELIEF VALVE	70 - 13	1H1	ELECTRONICS MODULE, CENTRAL AND CIRCUIT BOARDS	40 - 48
1D19	DRAIN VALVE, CYLINDER HEAD	25 - 40	3F10	ELEMENT ADJUST, CHAFFER	125 - 10
1D14	DRAIN VALVE, OIL PAN	25 - 34	3F14	ELEMENT, SIEVE	125 - 14
1B18	DRAIN VALVE, RADIATOR	20 - 13	3J24	ELEVATOR DRIVE JACKSHAFT ASSEMBLY	140 - 46
3D9	DRIVE CHAIN, FEEDER CONVEYOR	110 - 32	3G1	ELEVATOR, CLEAN GRAIN	130 - 4
1C19	DRIVE GEAR, OIL PUMP	25 - 11	3G18	ELEVATOR, TAILINGS	130 - 22
2D17	DRIVE LINES AND HOSES, TWO-WHEEL DRIVE	50 - 64	2I8	ENGINE ACCESS DOOR	80 - 34
2C5	DRIVE SHAFT, FINAL DRIVE	50 - 23	2I10	ENGINE AIR DEFLECTORS	80 - 36
3C11	DRIVE SHAFT, FIXED SPEED FEEDER HOUSE	110 - 10	2I10	ENGINE COVERS	80 - 36
3I11	DRIVE SHAFT, MAIN GEARCASE (9650 STS)	140 - 8	1B21	ENGINE FAN AND DRIVES	20 - 16
3I13	DRIVE SHAFT, MAIN GEARCASE (9750 STS)	140 - 10	1C24	ENGINE FLYWHEEL	25 - 16
3I23	DRIVE SHAFT, TWO-SPEED GEARBOX	140 - 20	1B25	ENGINE GEARCASE COUPLING HUB	20 - 20
3D17	DRIVE SHAFT, UPPER, FIXED SPEED FEEDER HOUSE	110 - 40	3I7	ENGINE GEARCASE OIL FILTER ASSEMBLY	140 - 4
2B12	DRIVE SHAFTS	50 - 4	3I5	ENGINE GEARCASE PRESSURE REGULATOR	140 - 2
2B13	DRIVE SHAFTS	50 - 5	1C10	ENGINE OIL (TORQ-GARD PLUS-50)	25 - 1
3H14	DRIVE SHIELDS, CHOPPER AND SPREADER	135 - 14			

ALPHABETICAL INDEX - CONTINUED

GRID		PAGE	GRID		PAGE
1D11	ENGINE OIL COOLER	25 - 30	3D15	FEEDER HOUSE POSITION SENSOR	110 - 38
1D16	ENGINE OIL DIPSTICK	25 - 36	3D13	FEEDER HOUSE RETURN FLOOR	110 - 36
1D16	ENGINE OIL DIPSTICK TUBE	25 - 36	2J20	FEEDER HOUSE REVERSER FOOT CONTROL	90 - 32
1D12	ENGINE OIL FILTER	25 - 32	3D1	FEEDER HOUSE SHELL, WEAR PLATES AND SEALS (CONTOUR MASTER)	110 - 24
1D7	ENGINE OIL PUMP	25 - 26	3D3	FEEDER HOUSE UPPER SHAFT	110 - 26
1D9	ENGINE OIL PUMP INTAKE	25 - 28	2G7	FEEDER HOUSE VARIABLE DRIVE HYDRAULIC HOSE	70 - 36
1C16	ENGINE OVERHAUL KIT	25 - 8	3D22	FEEDER HOUSE/SEPARATOR SEAL, STONE TRAP AND DOOR	120 - 2
1E22	ENGINE PLATFORM	30 - 18	1B17	FILLER CAP, RADIATOR	20 - 12
1E1	ENGINE REBUILD GASKET KIT	25 - 48	3I7	FILTER ASSEMBLY, OIL, ENGINE GEARCASE	140 - 4
1G21	ENGINE SPEED SENSOR	40 - 44	1E25	FILTER, AIR CLEANER	30 - 21
1F19	ENGINE WIRING HARNESS	40 - 14	3B10	FILTER, AIR, RECIRCULATION	95 - 4
2J18	ETHER START BUTTON	90 - 30	3B12	FILTER, CAB AIR	95 - 6
1E17	ETHER STARTING FITTINGS	30 - 13	1D12	FILTER, ENGINE OIL	25 - 32
3B16	EVAPORATOR HEATER, AIR CONDITIONING SYSTEM	95 - 10	3B16	FILTER, EVAPORATOR HEATER (AIR CONDITIONING SYSTEM)	95 - 10
3B16	EVAPORATOR TEMPERATURE SENSOR (AIR CONDITIONING SYSTEM)	95 - 10	1E14	FILTER, FUEL	30 - 10
1D25	EXHAUST MANIFOLD	25 - 46	1E18	FILTER, FUEL TANK	30 - 14
1D25	EXHAUST MANIFOLD GASKETS	25 - 46	2C14	FILTER, HYDROSTATIC DRIVE CHARGE PUMP	50 - 33
1D2	EXHAUST VALVE SHIELD	25 - 20	2F17	FILTER, MAIN HYDRAULIC	70 - 22
1D2	EXHAUST VALVES	25 - 20	1C25	FILTER, WATER PUMP (WEEP HOLE)	25 - 17
2K7	EXTENSION ASSEMBLY, LADDER	90 - 44	1G15	FILTER, WINDSHIELD WASHER	40 - 38
1C3	EXTENSION CORD, ENGINE BLOCK COOLANT HEATER	20 - 24	2C6	FINAL DRIVE	50 - 24
2K5	EXTENSION, LADDER AND HANDRAILS	90 - 42	4D19	FINAL DRIVE MOUNTING (SINGLE REDUCTION) (RUBBER TRACK)	160 - 20
1E22	EXTENSIONS, ENGINE PLATFORM	30 - 18	2C5	FINAL DRIVE, DRIVE SHAFT	50 - 23
4B10	EXTENSIONS, GRAIN TANK (9650 STS)	150 - 4	3F10	FINGERS, CHAFFER ELEMENT	125 - 10
4B12	EXTENSIONS, GRAIN TANK (9750 STS)	150 - 6	3F6	FINGERS, CHAFFER FRAME	125 - 6
F					
3F16	FAN ASSEMBLY, CLEANING	125 - 16	2G19	FITTINGS AND HOSES, UNLOADING AUGER BELT TENSIONING CYLINDER	70 - 48
1H18	FAN DRIVE ADJUSTING MOTOR, SEPARATOR	40 - 65	1C12	FITTINGS, CYLINDER BLOCK	25 - 4
1H19	FAN DRIVE ADJUSTING MOTOR, SEPARATOR	40 - 66	1E17	FITTINGS, ETHER STARTING	30 - 13
1B23	FAN DRIVE HOUSING	20 - 18	2C6	FITTINGS, FINAL DRIVE	50 - 24
3J17	FAN DRIVE SHEAVE	140 - 39	1E18	FITTINGS, FUEL TANK	30 - 14
3J14	FAN DRIVE SPEED CONTROL SUPPORT AND SHAFT	140 - 36	2F20	FITTINGS, HEADER LIFT	70 - 25
1B23	FAN DRIVE, ADJUSTABLE	20 - 18	2G18	FITTINGS, HOSE, CHAFF SPREADER MOTOR	70 - 47
3J18	FAN DRIVER JACKSHAFT ASSEMBLY	140 - 40	2G9	FITTINGS, HOSES, CONTOUR MASTER TILT CYLINDER	70 - 38
1B23	FAN PULLEY ADJUSTABLE	20 - 18	2G21	FITTINGS, HOSES, UNLOADING AUGER SWING CYLINDER	70 - 50
3F19	FAN SHAFT, CLEANING	125 - 20	2B24	FITTINGS, INPUT SHAFT HOUSING	50 - 16
3B8	FAN, AIR CONDITIONER AND HEATER	95 - 2	3C8	FITTINGS, REVERSER GEARBOX (HI CAPACITY)	110 - 6
1H7	FAN, ALTERNATOR (95 AMP)	40 - 54	3J1	FITTINGS, TWO-SPEED GEARBOX	140 - 22
3B10	FAN, BLOWER, AIR CONDITION AND HEATER	95 - 4	1G15	FITTINGS, WINDSHIELD WASHER	40 - 38
1B21	FAN, DRIVES, ENGINE	20 - 16	2B9	FIXED REAR AXLE (NON-POWERED)	50 - 1
3D24	FEED ACCELERATOR	120 - 4	3C11	FIXED SPEED FEEDER HOUSE DRIVE SHAFT, SHEAVE, AND MOUNTINGS	110 - 10
3J10	FEED ACCELERATOR DRIVE IDLER	140 - 32	3C15	FIXED SPEED FEEDER HOUSE DRIVE TIGHTENER ..	110 - 14
3J12	FEED ACCELERATOR DRIVER SECONDARY JACKSHAFT	140 - 34	3D17	FIXED SPEED FEEDER HOUSE UPPER DRIVE SHAFT, SHEAVE AND MOUNTINGS	110 - 40
3E1	FEED HOUSING ASSEMBLY	120 - 6	2I5	FIXED, REAR LANDING, HANDRAIL	80 - 30
3D5	FEED PLATE LATCH HANDLE	110 - 28	3E11	FLIGHT REPAIR KIT	120 - 16
3D9	FEEDER CONVEYOR DRIVE CHAIN, IDLER BRACKET	110 - 32	1I8	FLOODLAMP, CLEANING SHOE INSPECTION LIGHT	40 - 80
1H15	FEEDER HOUSE BACKSHAFT SPEED SENSOR	40 - 62	1I2	FLOODLAMP, SIDE FINDER LIGHTS	40 - 74
3D7	FEEDER HOUSE CONVEYOR IDLER SHAFT, DRUM AND CHAIN	110 - 30	2I22	FLOOR MAT, CAB	90 - 8
3C17	FEEDER HOUSE DRIVE TIGHTENER	110 - 16	3F6	FLOOR, CHAFFER FRAME	125 - 6
3C15	FEEDER HOUSE DRIVE TIGHTENER, FIXED SPEED	110 - 14	3F17	FLOOR, CLEANING FAN	125 - 18
3C13	FEEDER HOUSE DRIVE TIGHTENER, VARIABLE SPEED	110 - 12	3E1	FLOOR, FEED HOUSING ASSEMBLY	120 - 6
3D5	FEEDER HOUSE FLOOR AND LATCH HANDLE	110 - 28	3D5	FLOOR, FEEDER HOUSE	110 - 28
3C23	FEEDER HOUSE FRAME	110 - 22	2I20	FLOOR, REAR AND SIDE PANELS, CAB	90 - 6
2G5	FEEDER HOUSE GEARCASE OIL COOLER	70 - 34	3D13	FLOOR, RETURN, FEEDER HOUSE	110 - 36
3C3	FEEDER HOUSE LIFT SUPPORT	110 - 1	2F23	FLOW CONTROL VALVE, REEL DRIVE	70 - 28
			4C13	FLOW SENSOR, MASS YIELD MAPPING	155 - 6

ALPHABETICAL INDEX - CONTINUED

GRID		PAGE	GRID		PAGE
1C24	FLYWHEEL.....	25 - 16	1D19	GASKET, THERMOSTAT	25 - 40
1G24	FOLDING CHOPPER WIRING HARNESS	40 - 47	1C25	GASKET, TIMING GEAR COVER.....	25 - 17
1D1	FOLLOWER, CAMSHAFT	25 - 18	1D23	GASKET, TURBOCHARGER	25 - 44
1D4	FOLLOWER, CAMSHAFT	25 - 22	1D19	GASKET, WATER MANIFOLD	25 - 40
2J20	FOOT PEDAL, FEEDER HOUSE REVERSER	90 - 32	1D17	GASKET, WATER PUMP	25 - 38
4D3	FRAME MOUNTING, TRACK (RUBBER TRACK)	160 - 2	1D25	GASKETS, EXHAUST MANIFOLD	25 - 46
3B8	FRAME, BLOWER MOTOR DRIVER	95 - 2	2G13	GAUGE, ACCUMULATOR PRESSURE	70 - 42
3F6	FRAME, CHAFFER	125 - 6	4D17	GEAR CASE, TRANSFER (RUBBER TRACK)	160 - 18
3F8	FRAME, CHAFFER (CONTINUED).....	125 - 8	1D1	GEAR, CAMSHAFT	25 - 18
3E23	FRAME, DISCHARGE GRATE ASSEMBLY	120 - 30	2C6	GEAR, FINAL DRIVE.....	50 - 24
1E22	FRAME, ENGINE PLATFORM	30 - 18	1E8	GEAR, INJECTION PUMP.....	30 - 4
3C23	FRAME, FEEDER HOUSE	110 - 22	1C19	GEAR, OIL PUMP DRIVE	25 - 11
4D5	FRAME, MAIN, PIVOT BUSHINGS (RUBBER TRACK)	160 - 4	1D7	GEAR, OIL PUMP DRIVE	25 - 26
2D21	FRAME, PARKING BRAKE	60 - 2	1C24	GEAR, RING	25 - 16
1B13	FRAME, RADIATOR	20 - 8	3C6	GEARBOX, REVERSER (HI CAPACITY)	110 - 4
2H5	FRAME, SEPARATOR, L.H.	80 - 4	3C9	GEARBOX, REVERSER (STANDARD)	110 - 8
2H3	FRAME, SEPARATOR, R.H.....	80 - 2	3I17	GEARBOX, TRANSFER	140 - 14
4D3	FRAME, SHIPPING (RUBBER TRACK)	160 - 2	3I23	GEARBOX, TWO-SPEED	140 - 20
3F12	FRAME, SIEVE	125 - 12	3J1	GEARBOX, TWO-SPEED, HOSES AND FITTINGS	140 - 22
3H16	FRAME, STRAW SPREADER.....	135 - 16	3F10	GEARCASE, CHAFFER ELEMENT	125 - 10
4E25	FRENCH CANADIAN DECALS AND LABELS	170 - 22	3F8	GEARCASE, CHAFFER FRAME.....	125 - 8
4E19	FRONT AND REAR DECALS	170 - 16	3G8	GEARCASE, CLEAN GRAIN ELEVATOR	130 - 12
4E23	FRONT AND REAR TIRE DECALS	170 - 20	4B16	GEARCASE, HORIZONTAL UNLOADING AUGER DRIVE	150 - 10
4D7	FRONT ARM AND ADJUSTABLE IDLER ASSEMBLY (RUBBER TRACK)	160 - 6	3I9	GEARCASE, MAIN.....	140 - 6
1H23	FRONT LIGHT, L.H.....	40 - 70	3I15	GEARCASE, MAIN (CONTINUED)	140 - 12
1C25	FRONT OIL SEAL	25 - 17	3I11	GEARCASE, MAIN (9650 STS)	140 - 8
2H11	FRONT PANEL AND DOOR, LEFT	80 - 10	3I13	GEARCASE, MAIN (9750 STS)	140 - 10
2H19	FRONT PANEL, R.H.....	80 - 18	3J5	GEARCASE, PRIMARY COUNTERSHAFT	140 - 26
1D19	FRONT WATER MANIFOLD	25 - 40	3F12	GEARCASE, SIEVE FRAME.....	125 - 12
1H24	FRONT, R.H. LIGHT	40 - 71	4B17	GEARCASE, VERTICAL AUGER LOWER	150 - 12
1E14	FUEL CHECK VALVE	30 - 10	3F4	GEARS, AUGER BED SHAFT	125 - 4
1E14	FUEL FILTER.....	30 - 10	3E14	GEARS, CONCAVE ADJUSTING ASSEMBLY.....	120 - 20
1E14	FUEL FILTER BASE	30 - 10	3E16	GEARS, CONCAVE ADJUSTING ASSEMBLY.....	120 - 22
1E14	FUEL FILTER LINES	30 - 10	2C3	GEARS, DIFFERENTIAL	50 - 20
1E6	FUEL INJ LINES	30 - 2	3I9	GEARS, MAIN GEARCASE.....	140 - 6
1E12	FUEL INJECTION NOZZLE.....	30 - 8	3I15	GEARS, MAIN GEARCASE (CONTINUED)	140 - 12
1E6	FUEL INJECTION NOZZLES (ROBERT BOSCH)	30 - 2	3I11	GEARS, MAIN GEARCASE (9650 STS)	140 - 8
1E8	FUEL INJECTION PUMP.....	30 - 4	3I13	GEARS, MAIN GEARCASE (9750 STS)	140 - 10
1E10	FUEL INJECTION PUMP HOUSING CONNECTORS	30 - 6	3C6	GEARS, REVERSER GEARBOX (HI-CAPACITY)	110 - 4
1E6	FUEL LEAK-OFF LINES	30 - 2	3C9	GEARS, REVERSER GEARBOX (STANDARD)	110 - 8
1E8	FUEL LEAK-OFF LINES	30 - 4	2B24	GEARS, TRANSMISSION	50 - 16
1E18	FUEL PICKUP, FUEL TANK	30 - 14	2C1	GEARS, TRANSMISSION PINION	50 - 18
1E18	FUEL SENDER	30 - 14	3I23	GEARS, TWO-SPEED GEARBOX	140 - 20
1E8	FUEL SHUT-OFF SOLENOID (FIP)	30 - 4	4B17	GEARS, VERTICAL AUGER LOWER GEARCASE	150 - 12
1E18	FUEL TANK	30 - 14	2J22	GEARSHIFT LEVER	90 - 34
1E20	FUEL TANK DOUBLE BREATHER.....	30 - 16	2J22	GEARSHIFT LINKAGE	90 - 34
1E18	FUEL TANK FILTER	30 - 14	2J1	GLASS, CAB	90 - 12
1E22	FUEL TANK SUPPORTS.....	30 - 18	1G19	GRAIN LOSS MONITOR SYSTEM.....	40 - 42
1E11	FUEL TRANSFER PUMP (ROBERT BOSCH)	30 - 7	4B8	GRAIN TANK	150 - 2
G					
1D5	GASKET ADHESIVE, ROCKER ARM COVER	25 - 23	4B10	GRAIN TANK EXTENSIONS (9650 STS).....	150 - 4
1E1	GASKET KIT, CYLINDER HEAD	25 - 48	4B12	GRAIN TANK EXTENSIONS (9750 STS).....	150 - 6
1E1	GASKET KIT, ENGINE REBUILD	25 - 48	1I4	GRAIN TANK FULL BIN SENSOR	40 - 76
1E1	GASKET KIT, SHORT BLOCK	25 - 48	4B14	GRAIN TANK SAMPLING TROUGH.....	150 - 8
1D2	GASKET, CYLINDER HEAD	25 - 20	4B15	GRAIN TANK WINDOW	150 - 9
1D21	GASKET, INTAKE MANIFOLD	25 - 42	1G22	GRAIN TANK WIRING HARNESS	40 - 45
1D12	GASKET, OIL FILTER HOUSING	25 - 32	2K1	GRAPHICS PANEL, OVERHEAD CONSOLE	90 - 38
1D14	GASKET, OIL PAN	25 - 34	3E23	GRATE ASSEMBLY, DISCHARGE.....	120 - 30
1D7	GASKET, OIL PUMP.....	25 - 26	3E18	GRATE, SEPARATOR	120 - 24
1D9	GASKET, OIL PUMP INTAKE	25 - 28	2C3	GROUND SPEED SENSOR	50 - 20
1C23	GASKET, REAR OIL SEAL.....	25 - 15	1G23	GROUND SPEED WIRING HARNESS EXTENSION.....	40 - 46
1D5	GASKET, ROCKER ARM COVER	25 - 23	2I19	GROUND STRAP.....	90 - 4
			2J22	GUARD, GEARSHIFT LEVER.....	90 - 34
			2J18	GUARDS, STEERING COLUMN (UPPER).....	90 - 30
			2H13	GULLWING DOOR, L.H.	80 - 12
			2H15	GULLWING DOOR, L.H. REAR	80 - 14
			2H21	GULLWING DOOR, R.H.....	80 - 20

ALPHABETICAL INDEX - CONTINUED

GRID	H	PAGE	GRID	PAGE	
2J3	HANDLE, CAB DOOR	90 - 14	1C3	HEATER, COOLANT, ENGINE BLOCK	20 - 24
3D5	HANDLE, FEED PLATE LATCH	110 - 28	2B15	HIGH FLOTATION DRIVE WHEELS	50 - 7
3H24	HANDLE, STRAW SPREADER	135 - 24	2I10	HINGE, ENGINE DOOR	80 - 36
3H20	HANDLE, STRAW SPREADER SHIELDS	135 - 20	4B21	HINGE, HORIZONTAL UNLOADING AUGER (17- AND 20-FT.)	150 - 16
2I6	HANDRAIL, ENGINE PLATFORM	80 - 32	2H23	HINGE, R.H. REAR RADIATOR DOOR	80 - 22
2K8	HANDRAIL, L.H.	90 - 46	2I5	HINGE, REAR FIXED LANDING AND HANDRAIL	80 - 30
2K10	HANDRAIL, R.H.	90 - 48	3F23	HINGED DOOR, CLEAN GRAIN LOWER AUGER	130 - 2
2I5	HANDRAIL, REAR FIXED LANDING	80 - 30	2H13	HINGES, L.H. GULLWING DOOR	80 - 12
2I3	HANDRAIL, REAR LADDER LANDING	80 - 28	2H15	HINGES, L.H. REAR GULLWING DOOR	80 - 14
2K5	HANDRAILS, EXTENSION AND LADDER	90 - 42	2H21	HINGES, R.H. GULLWING DOOR	80 - 20
2K12	HARDWARE KIT, CAB	90 - 50	3D22	HINGES, SEPARATOR/FEEDER HOUSE	120 - 2
1G23	HARNESS EXTENSION, WIRING, GROUND SPEED....	40 - 46	4B21	HORIZONTAL UNLOADING AUGER (17- AND 20-FT.)	150 - 16
4C19	HARNESS, DATASTORE	155 - 12	4B16	HORIZONTAL UNLOADING AUGER DRIVE GEARCASE	150 - 10
1G1	HARNESS, MAIN WIRING, R.H. W/O/ GREENSTAR - REFERENCE	40 - 23	4C1	HORIZONTAL UNLOADING AUGER HOUSING (EXPORT) (17 AND 20 FT.)	150 - 20
4C15	HARNESS, MOISTURE SENSOR MOTOR YIELD MAPPING	155 - 8	4B23	HORIZONTAL UNLOADING AUGER HOUSING (17 AND 20 FT.)	150 - 18
1H13	HARNESS, STARTER, WIRING	40 - 60	4C3	HORIZONTAL UNLOADING AUGER SWIVEL	150 - 22
2G13	HARNESS, WIRING, ACCUMULATOR PRESSURE GAUGE	70 - 42	2I19	HORN ASSEMBLY	90 - 4
1G13	HARNESS, WIRING, AIR CONDITIONING	40 - 36	2J18	HORN BUTTON	90 - 30
2J7	HARNESS, WIRING, AIR SUSPENSION SEAT	90 - 18	2G13	HOSE, ACCUMULATOR PRESSURE GAUGE	70 - 42
1G9	HARNESS, WIRING, ARMREST	40 - 32	1F3	HOSE, ASPIRATOR	30 - 24
1G7	HARNESS, WIRING, CAB MAIN	40 - 30	3B18	HOSE, COMPRESSOR, AIR CONDITIONER	95 - 12
1F19	HARNESS, WIRING, ENGINE	40 - 14	2G18	HOSE, FITTINGS, CHAFF SPREADER MOTOR	70 - 47
1G24	HARNESS, WIRING, FOLDING CHOPPER	40 - 47	3I19	HOSE, HYDRAULIC, SEPARATOR DRIVE VARIABLE SPEED	140 - 16
1G22	HARNESS, WIRING, GRAIN TANK	40 - 45	2G7	HOSE, HYDRAULIC, VARIABLE DRIVE, FEEDER HOUSE	70 - 36
1I4	HARNESS, WIRING, GRAIN TANK FULL BIN SENSOR	40 - 76	3E19	HOSE, LUBE, DISCHARGE BEATER ASSEMBLY	120 - 26
1G20	HARNESS, WIRING, HARVESTRAK	40 - 43	2G11	HOSE, ONE GALLON ACCUMULATOR	70 - 40
3J7	HARNESS, WIRING, HEADER ELECTROMAGNETIC CLUTCH	140 - 28	2G12	HOSE, ONE HALF GALLON ACCUMULATOR	70 - 41
2H13	HARNESS, WIRING, L.H. GULLWING DOOR SERVICE LIGHT	80 - 12	2G19	HOSES AND FITTINGS, UNLOADING AUGER BELT TENSIONING CYLINDER	70 - 48
1F21	HARNESS, WIRING, L.H. MAIN	40 - 17	2D10	HOSES AND LINES, HYDROSTATIC OIL COOLER	50 - 56
1F22	HARNESS, WIRING, L.H. MAIN	40 - 18	2D12	HOSES AND LINES, L.H. 4-WHEEL DRIVE HYDRAULIC	50 - 58
1F24	HARNESS, WIRING, L.H. MAIN	40 - 20	2F3	HOSES AND LINES, WET CLUTCH OIL COOLER,	70 - 8
1I6	HARNESS, WIRING, MOISTURE SENSOR	40 - 78	1E24	HOSES, AIR CLEANER	30 - 20
2J24	HARNESS, WIRING, R.H. CORNERPOST DISPLAY PANEL	90 - 36	2D17	HOSES, DRIVE, TWO-WHEEL DRIVE	50 - 64
2H21	HARNESS, WIRING, R.H. GULLWING DOOR SERVICE LIGHT	80 - 20	1C5	HOSES, ENGINE CRANKCASE OIL DRAIN	20 - 26
1G4	HARNESS, WIRING, R.H. MAIN, W/O GREENSTAR (REFERENCE)	40 - 27	3B16	HOSES, EVAPORATOR HEATER (AIR CONDITIONING SYSTEM)	95 - 10
2H17	HARNESS, WIRING, REAR WALL SERVICE LIGHT	80 - 16	2G9	HOSES, FITTINGS, CONTOUR MASTER TILT CYLINDER	70 - 38
3E8	HARNESS, WIRING, ROTOR SPEED SENSOR	120 - 13	2G21	HOSES, FITTINGS, UNLOADING AUGER SWING CYLINDER	70 - 50
1G11	HARNESS, WIRING, STEERING COLUMN	40 - 34	1E18	HOSES, FUEL TANK	30 - 14
3H22	HARNESS, WIRING, STRAW SPREADER	135 - 22	1E20	HOSES, FUEL TANK DOUBLE BREATHER	30 - 16
1I3	HARNESS, WIRING, TRANSPORT WARNING LIGHTS	40 - 75	2F20	HOSES, HEADER LIFT	70 - 25
1H21	HARNESS, WIRING, UNLOADING AUGER LIGHT	40 - 68	4C3	HOSES, HORIZONTAL UNLOADING AUGER SWIVEL	150 - 22
1G20	HARVESTRAK WIRING HARNESS	40 - 43	2F17	HOSES, MAIN HYDRAULIC FILTER	70 - 22
1D2	HEAD BOLT KIT	25 - 20	2F1	HOSES, OIL COOLER AND AIR CONDITIONER CONDENSER	70 - 6
1D2	HEAD, CYLINDER	25 - 20	2D6	HOSES, OIL, HYDROSTATIC DRIVE, LOWER (TWO WHEEL DRIVE)	50 - 52
3J7	HEADER ELECTROMAGNETIC CLUTCH	140 - 28	2D8	HOSES, OIL, HYDROSTATIC DRIVE, UPPER	50 - 54
2F16	HEADER HEIGHT CONTROL VALVE	70 - 21	2E24	HOSES, PRESSURE, HYDRAULIC	70 - 4
2F19	HEADER LIFT CYLINDER, HYDRAULIC	70 - 24	1B15	HOSES, RADIATOR	20 - 10
2F20	HEADER LIFT HOSES AND FITTINGS	70 - 25	3B15	HOSES, RECEIVER-DRYER (AIR CONDITIONING SYSTEM)	95 - 9
2I24	HEADLINERS, CAB ROOF	90 - 10	1B19	HOSES, RECOVERY TANK, COOLANT	20 - 14
3B10	HEATER AND AIR CONDITIONER HOUSING, LOWER	95 - 4	2G4	HOSES, REEL DRIVE	70 - 33
3B8	HEATER AND AIR CONDITIONER HOUSING, UPPER	95 - 2	2G3	HOSES, REEL LIFT	70 - 32
3B13	HEATER AND AIR CONDITIONING DUCTS	95 - 7			
1C6	HEATER HOSE CONNECTORS	20 - 27			

ALPHABETICAL INDEX - CONTINUED

GRID		PAGE	GRID		PAGE
2G3	HOSES, REEL POSITION.....	70 - 32	3E19	HUB, DISCHARGE BEATER ASSEMBLY	120 - 26
2F21	HOSES, REEL/BELT PICKUP PUMP.....	70 - 26	3J24	HUB, ELEVATOR DRIVE JACKSHAFT ASSEMBLY	140 - 46
2E13	HOSES, STEERING.....	60 - 18	1B21	HUB, ENGINE FAN	20 - 16
2E11	HOSES, STEERING, UPPER	60 - 16	3D24	HUB, FEED ACCELERATOR ASSEMBLY	120 - 4
2G15	HOSES, STRAW SPREADER.....	70 - 44	3J7	HUB, HEADER ELECTROMAGNETIC CLUTCH	140 - 28
3J1	HOSES, TWO-SPEED GEARBOX	140 - 22	4D13	HUB, IDLER WHEEL (RUBBER TRACK).....	160 - 12
3B14	HOSES, WATER VALVE ASSEMBLY (AIR CONDITIONING SYSTEM)	95 - 8	3I9	HUB, MAIN GEARCASE	140 - 6
1G15	HOSES, WINDSHIELD WASHER	40 - 38	2F21	HUB, REEL/BELT PICKUP PUMP	70 - 26
2D14	HOSES, 4-WHEEL DRIVE.....	50 - 60	1B11	HUB, ROTARY SCREEN DOOR	20 - 6
3E1	HOUSING ASSEMBLY, FEED	120 - 6	3I21	HUB, SEPARATOR DRIVE TORQUE SENSING.....	140 - 18
1E10	HOUSING CONNECTORS, FUEL INJECTION PUMP ..	30 - 6	3I19	HUB, SEPARATOR DRIVE VARIABLE SPEED.....	140 - 16
2B23	HOUSING COVER, TRANSMISSION/ DIFFERENTIAL	50 - 15	3J23	HUB, SLIP CLUTCH	140 - 45
1B23	HOUSING, ADJUSTABLE FAN DRIVE.....	20 - 18	3H18	HUB, STRAW SPREADER	135 - 18
3B10	HOUSING, AIR CONDITIONER AND HEATER, LOWER	95 - 4	2G15	HUB, STRAW SPREADER PUMP	70 - 44
3B8	HOUSING, AIR CONDITIONER AND HEATER, UPPER.....	95 - 2	3G14	HUB, UPPER TAILINGS ELEVATOR	130 - 18
4D9	HOUSING, AIR SUSPENSION (RUBBER TRACK)	160 - 8	3D11	HUB, VARIABLE SPEED FEEDER HOUSE.....	110 - 34
3B12	HOUSING, CAB AIR FILTER	95 - 6	3K1	HUBS, CLEAN GRAIN ELEVATOR DRIVE TIGHTENER AND IDLER	140 - 48
2I24	HOUSING, CAB ROOF	90 - 10	3I11	HUBS, MAIN GEARCASE (9650 STS).....	140 - 8
3H6	HOUSING, CHOPPER.....	135 - 6	3I13	HUBS, MAIN GEARCASE (9750 STS).....	140 - 10
3G8	HOUSING, CLEAN GRAIN ELEVATOR GEARCASE	130 - 12	3K4	HUBS, UNLOADING AUGER COUNTERSHAFT DRIVE	140 - 52
3E9	HOUSING, DISCHARGE, SEPARATOR.....	120 - 14	2F17	HYDRAULIC FILTER, MAIN	70 - 22
1B21	HOUSING, ENGINE FAN	20 - 16	3I19	HYDRAULIC HOSE, SEPARATOR DRIVE VARIABLE SPEED	140 - 16
3B10	HOUSING, EVAPORATOR	95 - 4	2G7	HYDRAULIC HOSE, VARIABLE DRIVE, FEEDER HOUSE.....	70 - 36
3D7	HOUSING, FEEDER HOUSE CONVEYOR	110 - 30	2D12	HYDRAULIC LINES AND HOSES, L.H. 4-WHEEL DRIVE	50 - 58
3D3	HOUSING, FEEDER HOUSE UPPER SHAFT.....	110 - 26	2D16	HYDRAULIC LINES, CASE DRAIN, 4-WHEEL DRIVE	50 - 62
2C6	HOUSING, FINAL DRIVE	50 - 24	2E21	HYDRAULIC OIL RESERVOIR	70 - 1
3C11	HOUSING, FIXED SPEED FEEDER HOUSE	110 - 10	2E24	HYDRAULIC PRESSURE LINES AND HOSES	70 - 4
2J22	HOUSING, GEARSHIFT LEVER.....	90 - 34	2E22	HYDRAULIC PUMP, MAIN	70 - 2
4C1	HOUSING, HORIZONTAL UNLOADING AUGER (EXPORT) (17 AND 20 FT.).....	150 - 20	4E1	HYDRAULICS, TENSION CYLINDER (RUBBER TRACK)	160 - 26
4B23	HOUSING, HORIZONTAL UNLOADING AUGER (17 AND 20 FT.)	150 - 18	2C14	HYDROSTATIC DRIVE CHARGE PUMP	50 - 33
4B21	HOUSING, HORIZONTAL UNLOADING AUGER (17- AMD 20-FT.).....	150 - 16	2C8	HYDROSTATIC DRIVE CONTROL CABLES	50 - 26
4C3	HOUSING, HORIZONTAL UNLOADING AUGER SWIVEL	150 - 22	2C15	HYDROSTATIC DRIVE DISPLACEMENT CONTROL VALVE	50 - 34
2C12	HOUSING, HYDROSTATIC PUMP	50 - 30	2C17	HYDROSTATIC DRIVE MOTOR.....	50 - 36
2B24	HOUSING, INPUT SHAFT.....	50 - 16	2D8	HYDROSTATIC DRIVE OIL HOSES, UPPER	50 - 54
1H23	HOUSING, L.H. FRONT LIGHT	40 - 70	2D6	HYDROSTATIC DRIVE OIL LINES AND HOSES, LOWER (TWO WHEEL DRIVE)	50 - 52
3G6	HOUSING, LOADING AUGER, UPPER CLEAN GRAIN	130 - 10	2C12	HYDROSTATIC DRIVE PUMP	50 - 30
3I9	HOUSING, MAIN GEARCASE	140 - 6	2C10	HYDROSTATIC DRIVE PUMP COVER	50 - 28
1D12	HOUSING, OIL FILTER	25 - 32	2C10	HYDROSTATIC DRIVE PUMP SHAFT.....	50 - 28
2J24	HOUSING, R.H. CORNERPOST DISPLAY PANEL	90 - 36	2C19	HYDROSTATIC MOTOR VALVE	50 - 39
1H24	HOUSING, R.H. FRONT LIGHT	40 - 71	2D10	HYDROSTATIC OIL COOLER LINES AND HOSES	50 - 56
1C23	HOUSING, REAR OIL SEAL.....	25 - 15			
3C8	HOUSING, REVERSER GEARBOX (HI CAPACITY).....	110 - 6			
3C9	HOUSING, REVERSER GEARBOX (STANDARD)	110 - 8			
2J16	HOUSING, STEERING COLUMN (LOWER)	90 - 28			
1D19	HOUSING, THERMOSTAT, FRONT	25 - 40	1B10	IDLER ARM, ROTARY SCREEN	20 - 4
2B22	HOUSING, TRANSMISSION	50 - 14	4D7	IDLER ASSEMBLY, ADJUSTABLE AND FRONT ARM (RUBBER TRACK)	160 - 6
2C3	HOUSING, TRANSMISSION/DIFFERENTIAL	50 - 20	3J13	IDLER ASSEMBLY, CLEAN GRAIN ELEVATOR DRIVE	140 - 35
1I3	HOUSING, TRANSPORT WARNING LIGHTS	40 - 75	3J22	IDLER ASSEMBLY, DISCHARGE BEATER DRIVE.....	140 - 44
3I23	HOUSING, TWO-SPEED GEARBOX	140 - 20	3J10	IDLER ASSEMBLY, FEED ACCELERATOR	140 - 32
3I15	HOUSINGS, MAIN GEARCASE	140 - 12	3J21	IDLER ASSEMBLY, SHOE/CONVEYOR AUGER DRIVE	140 - 43
3I11	HOUSINGS, MAIN GEARCASE (9650 STS)	140 - 8	3K3	IDLER ASSEMBLY, STRAW CHOPPER DRIVE	140 - 50
3I13	HOUSINGS, MAIN GEARCASE (9750 STS)	140 - 10	3J19	IDLER ASSEMBLY, TAILINGS ELEVATOR DRIVE.....	140 - 41
3C6	HOUSINGS, REVERSER GEARBOX (HI-CAPACITY)....	110 - 4	3K6	IDLER ASSEMBLY, UNLOADER DRIVE	140 - 54
2J18	HOUSINGS, STEERING COLUMN (UPPER).....	90 - 30	3K7	IDLER ASSEMBLY, UNLOADING AUGER DRIVE SPROCKET	140 - 55
4D16	HUB, BOGEY WHEEL (RUBBER TRACK).....	160 - 16			
3J20	HUB, CHAFFER FRAME SHOE DRIVE.....	140 - 42			
3G3	HUB, CLEAN GRAIN ELEVATOR.....	130 - 6			
1B25	HUB, COUPLING, ENGINE GEARCASE	20 - 20			

ALPHABETICAL INDEX - CONTINUED

GRID		PAGE	GRID		PAGE
4D11	IDLER AXLE (RUBBER TRACK)	160 - 10	3E11	KIT, TINE REPAIR	120 - 16
3D9	IDLER BRACKET, FEEDER CONVEYOR	110 - 32	1C21	KIT, UNDERSIZED MAIN BEARING CRANKSHAFT	25 - 13
1C2	IDLER PULLEY, AIR CONDITIONER DRIVE	20 - 22	3C4	KIT, VARIABLE SPEED FEEDER HOUSE	110 - 2
3D7	IDLER WHEEL, FEEDER HOUSE CONVEYOR	110 - 30	1D17	KIT, WATER PUMP SEAL	25 - 38
4D13	IDLER WHEEL ASSEMBLY (RUBBER TRACK)	160 - 12	1C20	KIT,UNDERSIZE CRANKSHAFT (CONNECTING ROD JOURNAL)	25 - 12
3K1	IDLER, CLEAN GRAIN ELEVATOR DRIVE	140 - 48	2E3	KITS, BRAKE MASTER CYLINDER	60 - 8
3C15	IDLER, FIXED SPEED FEEDER HOUSE DRIVE TIGHTENER	110 - 14	2E5	KITS, BRAKE SHOES AND DRUM	60 - 10
3C13	IDLER, VARIABLE SPEED FEEDER HOUSE DRIVE TIGHTENER	110 - 12	2J9	KITS, OPERATOR'S SEAT	90 - 20
2J18	IGNITION SWITCH	90 - 30	3E11	KITS, SEPARATOR CONE REPAIR	120 - 16
3F12	INDICATOR, SIEVE FRAME	125 - 12	1B11	KNIFE, ROTARY SCREEN DOOR	20 - 6
3F10	INDICATORS, CHAFFER ELEMENT	125 - 10	3H6	KNIFEBANK, CHOPPER	135 - 6
3F8	INDICATORS, CHAFFER FRAME	125 - 8			
1E8	INJECTION PUMP GEAR	30 - 4		L	
1E8	INJECTION PUMP LUBE LINE	30 - 4	4E17	L.H. DECALS	170 - 14
1E8	INJECTION PUMP, ELECTRONIC FUEL	30 - 4	3C19	L.H. DRIVE SHIELDS	110 - 18
2C22	INNER COVER, CAM LOBE MOTOR	50 - 42	1H23	L.H. FRONT LIGHT	40 - 70
2B24	INPUT SHAFT, TRANSMISSION	50 - 16	2H13	L.H. GULLWING DOOR	80 - 12
1D2	INSERTS, VALVE SEAT	25 - 20	1F21	L.H. MAIN WIRING HARNESS	40 - 17
1D21	INTAKE MANIFOLD	25 - 42	1F22	L.H. MAIN WIRING HARNESS (CONTINUED)	40 - 18
1D21	INTAKE MANIFOLD GASKET	25 - 42	1F24	L.H. MAIN WIRING HARNESS (CONTINUED)	40 - 20
1D2	INTAKE VALVES	25 - 20	2H15	L.H. REAR GULLWING DOOR	80 - 14
1D9	INTAKE, ENGINE OIL PUMP	25 - 28	2H5	L.H. SEPARATOR FRAME	80 - 4
2I24	INTERIOR CAB ROOF	90 - 10	2H7	L.H. SHIELDS	80 - 6
2I22	INTERIOR PANELS, CAB	90 - 8	4E7	L.H. SIDE SAFETY DECALS	170 - 4
	J		4E25	LABELS, FRENCH CANADIAN	170 - 22
3J24	JACKSHAFT ASSEMBLY, ELEVATOR DRIVE	140 - 46	4F1	LABELS, PORTUGUESE	170 - 23
3J18	JACKSHAFT ASSEMBLY, FAN DRIVER	140 - 40	4F2	LABELS, ROMANIAN	170 - 24
3J12	JACKSHAFT, DRIVER, FEED ACCELERATOR	140 - 34	4F3	LABELS, RUSSIAN	170 - 25
3H12	JACKSHAFT, STRAW CHOPPER	135 - 12	4E21	LABELS, SAFETY, RUBBER TRACK	170 - 18
3K4	JACKSHAFT, UNLOADING AUGER COUNTERSHAFT DRIVE	140 - 52	4F4	LABELS, SPANISH	170 - 26
1C12	JETS, PISTON COOLING	25 - 4	4F5	LABELS, UKRAINIAN	170 - 27
	K		2K7	LADDER EXTENSION ASSEMBLY	90 - 44
1C19	KEY, DAMPER	25 - 11	2I6	LADDER, ENGINE PLATFORM	80 - 32
3G8	KIT, CLEAN GRAIN ELEVATOR GEARCASE	130 - 12	2K5	LADDER, HANDRAILS AND EXTENSION	90 - 42
1F17	KIT, CONVENIENCE, OUTLET	40 - 12	2I1	LADDER, REAR LANDING	80 - 26
3E11	KIT, COVER REPAIR	120 - 16	1I3	LAMP, TRANSPORT WARNING LIGHTS	40 - 75
1E1	KIT, CYLINDER HEAD	25 - 48	2H24	LAMP, TURN SIGNAL, REAR ACCESS DOOR	80 - 24
1F10	KIT, ELECTRICAL CONNECTOR SERVICE	40 - 4	2H17	LAMPS, TURN SIGNAL, REAR WALL	80 - 16
1F12	KIT, ELECTRICAL CONNECTOR SERVICE (CONTINUED)	40 - 6	2K8	LANDING, L.H.	90 - 46
1C16	KIT, ENGINE OVERHAUL	25 - 8	2I1	LANDING, LADDER, REAR	80 - 26
1E1	KIT, ENGINE REBUILD	25 - 48	2K10	LANDING, R.H.	90 - 48
3E11	KIT, FLIGHT REPAIR	120 - 16	2I5	LANDING, REAR FIXED	80 - 30
2J22	KIT, GEARSHIFT LEVER	90 - 34	2I3	LATCH ARM, REAR LADDER LANDING	80 - 28
1D2	KIT, HEAD BOLT	25 - 20	3D5	LATCH HANDLE, FEED PLATE	110 - 28
2C15	KIT, HYDROSTATIC DRIVE DISPLACMENT CONTROL VALVE	50 - 34	2J3	LATCH, CAB DOOR	90 - 14
2C10	KIT, HYDROSTATIC DRIVE PUMP	50 - 28	3H14	LATCH, CHOPPER AND SPREADER DRIVE SHIELD ..	135 - 14
2C12	KIT, HYDROSTATIC DRIVE PUMP (CONTINUED)	50 - 30	4B17	LATCH, GRAIN TANK CLEAN OUT CHUTE	150 - 12
2C19	KIT, HYDROSTATIC MOTOR VALVE	50 - 39	4B15	LATCH, GRAIN TANK WINDOW	150 - 9
3E11	KIT, NOSE SPIDER REPAIR	120 - 16	1B18	LATCH, RADIATOR	20 - 13
1C18	KIT, PISTON/LINER	25 - 10	3H24	LATCH, STRAW SPREADER	135 - 24
3E11	KIT, RIVNUT REPAIR	120 - 16	2H11	LEFT FRONT PANEL AND DOOR	80 - 10
2C17	KIT, SEAL, HYDROSTATIC DRIVE MOTOR	50 - 36	1H23	LENS, L.H. FRONT LIGHT	40 - 70
2E9	KIT, SEAL, STEERING VALVE	60 - 14	1H24	LENS, R.H. FRONT LIGHT	40 - 71
1F14	KIT, TERMINAL AND WIRING	40 - 8	1I1	LENS, REAR TURN AND TAIL LIGHTS	40 - 73
3E11	KIT, THRESHING ELEMENT REPAIR	120 - 16	1H22	LENSES, CAB ROOF LIGHT	40 - 69
			3G5	LEVER, CLEAN GRAIN ELEVATOR BOOT ASSEMBLY	130 - 8
			2J22	LEVER, GEARSHIFT	90 - 34
			2C8	LEVER, HYDROSTATIC DRIVE CONTROL CABLES ...	50 - 26
			2C15	LEVER, HYDROSTATIC DRIVE DISPLACMENT CONTROL VALVE	50 - 34
			2K7	LEVER, LADDER EXTENSION ASSEMBLY	90 - 44
			3G12	LEVER, LOADING AUGER SPOUT ASSEMBLY	130 - 16

ALPHABETICAL INDEX - CONTINUED

<i>GRID</i>		<i>PAGE</i>	<i>GRID</i>		<i>PAGE</i>
3G18	LEVER, TAILINGS ELEVATOR.....	130 - 22	3I15	MAIN GEARCASE (CONTINUED)	140 - 12
2F19	LIFT CYLINDER, HEADER, HYDRAULIC	70 - 24	3I11	MAIN GEARCASE (9650 STS)	140 - 8
1D6	LIFT STRAPS, ENGINE.....	25 - 24	3I3	MAIN GEARCASE (9750 STS)	140 - 10
3C3	LIFT SUPPORT, FEEDER HOUSE.....	110 - 1	2E22	MAIN HYDRAULIC PUMP.....	70 - 2
1I5	LIGHT SWITCH AND BRACKET	40 - 77	3B17	MANIFOLD, A/C COMPRESSOR, R134A	95 - 11
1I8	LIGHT, CLEANING SHOE INSPECTION	40 - 80	2C22	MANIFOLD, CAM LOBE MOTOR	50 - 42
1H23	LIGHT, L.H. FRONT.....	40 - 70	1D25	MANIFOLD, EXHAUST	25 - 46
1H24	LIGHT, R.H. FRONT	40 - 71	1D21	MANIFOLD, INTAKE	25 - 42
1H25	LIGHT, REAR, AMBER	40 - 72	1D19	MANIFOLD, WATER, FRONT	25 - 40
2I17	LIGHT, SERVICE, CAB SUPPORT.....	90 - 2	2D16	MANIFOLD, 4-WHEEL DRIVE CASE DRAIN HYDRAULIC LINES.....	50 - 62
2H13	LIGHT, SERVICE, L.H. GULLWING	80 - 12	2D12	MANIFOLDS, 4-WHEEL DRIVE HYDRAULIC LINES AND HOSES L.H.	50 - 58
2H15	LIGHT, SERVICE, L.H. REAR GULLWING	80 - 14	4C13	MASS FLOW SENSOR YIELD MAPPING	155 - 6
2H21	LIGHT, SERVICE, R.H. GULLWING.....	80 - 20	4C13	MASS FLOW SENSOR BRACKET YIELD MAPPING	155 - 6
2H17	LIGHT, SERVICE, REAR WALL	80 - 16	4C13	MASS FLOW SENSOR DOOR YIELD MAPPING	155 - 6
1H21	LIGHT, UNLOADING AUGER	40 - 68	2E3	MASTER BRAKE CYLINDER	60 - 8
1H22	LIGHTS, CAB ROOF	40 - 69	3G18	MATERIAL SENSOR AND COVERS, TAILINGS ELEVATOR	130 - 22
1I1	LIGHTS, REAR TURN AND TAIL.....	40 - 73	2K8	MIRROR, L.H.	90 - 46
1I2	LIGHTS, SIDE FINDER	40 - 74	2K10	MIRROR, R.H.	90 - 48
1I3	LIGHTS, TRANSPORT WARNING	40 - 75	4C11	MOBILE PROCESSOR YIELD MAPPING	155 - 4
3H18	LIMIT CURTAIN, STRAW SPREADER.....	135 - 18	3E9	MODULE RAILS, SEPARATOR	120 - 14
3H20	LIMIT CURTAINS, STRAW SPREADER SHIELDS	135 - 20	1H1	MODULE, CENTRAL ELECTRONICS AND CIRCUIT BOARDS	40 - 48
1E8	LINE, INJECTION PUMP LUBE	30 - 4	4C19	MODULE, DATASTORE	155 - 12
1C18	LINER O-RINGS.....	25 - 10	4C21	MODULE, DATASTORE	155 - 14
1C18	LINER SHIM.....	25 - 10	2F13	MODULE, SIX STACK SOLENOID CONTROL VALVE ASSEMBLY & MOUNTINGS.....	70 - 18
1C18	LINERS, CYLINDER	25 - 10	2J24	MODULES, R.H. CORNERPOST DISPLAY PANEL	90 - 36
2D10	LINES AND HOSES, HYDROSTATIC OIL COOLER.....	50 - 56	1I6	MOISTURE SENSOR	40 - 78
2D12	LINES AND HOSES, L.H. 4-WHEEL DRIVE HYDRAULIC.....	50 - 58	4C15	MOISTURE SENSOR YIELD MAPPING	155 - 8
2F3	LINES AND HOSES, WET CLUTCH OIL COOLER,	70 - 8	4C15	MOISTURE SENSOR BRACKET YIELD MAPPING	155 - 8
2D14	LINES AND HOSES, 4-WHEEL DRIVE	50 - 60	4C15	MOISTURE SENSOR COVER YIELD MAPPING	155 - 8
2D17	LINES, DRIVE, TWO-WHEEL DRIVE.....	50 - 64	4C17	MOISTURE SENSOR COVERS YIELD MAPPING	155 - 10
1E14	LINES, FUEL FILTER	30 - 10	4C17	MOISTURE SENSOR COVERS - YIELD MAPPING W/O MOISTURE SENSOR	155 - 10
1E6	LINES, FUEL INJ.....	30 - 2	4C22	MOISTURE SENSOR DECALS YIELD MONITOR.....	155 - 15
1E6	LINES, FUEL LEAK-OFF.....	30 - 2	4C15	MOISTURE SENSOR MOTOR YIELD MAPPING	155 - 8
1E8	LINES, FUEL LEAK-OFF	30 - 4	4C15	MOISTURE SENSOR MOTOR HARNESS YIELD MAPPING	155 - 8
2D6	LINES, OIL, HYDROSTATIC DRIVE, LOWER (TWO WHEEL DRIVE)	50 - 52	1G19	MONITOR SYSTEM, GRAIN LOSS	40 - 42
2E24	LINES, PRESSURE, HYDRAULIC	70 - 4	2C19	MOTOR VALVE, HYDROSTATIC	50 - 39
1D23	LINES, TURBOCHARGER OIL	25 - 44	2G18	MOTOR, CHAFF SPREADER	70 - 47
2D14	LINES, 4-WHEEL DRIVE	50 - 60	1H18	MOTOR, CONCAVE ADJUSTING.....	40 - 65
2J22	LINKAGE, GEARSHIFT	90 - 34	1H19	MOTOR, CONCAVE ADJUSTING.....	40 - 66
3J17	LINKAGE, SPEED CONTROL.....	140 - 39	3E14	MOTOR, CONCAVE ADJUSTING ASSEMBLY	120 - 20
3G6	LOADING AUGER HOUSING, UPPER CLEAN GRAIN	130 - 10	3E16	MOTOR, CONCAVE ADJUSTING ASSEMBLY	120 - 22
3G12	LOADING AUGER SPOUT ASSEMBLY.....	130 - 16	2C17	MOTOR, HYDROSTATIC DRIVE	50 - 36
3G10	LOADING AUGER, CLEAN GRAIN	130 - 14	4C15	MOTOR, MOISTURE SENSOR YIELD MAPPING	155 - 8
3B13	LOUVER, AIR CONDITIONING AND HEATER	95 - 7	3B8	MOTOR, PRESSURE BLOWER	95 - 2
2J5	LOUVER, SEAT CONSOLE	90 - 16	3B10	MOTOR, RECIRCULATION BLOWER	95 - 4
1H20	LOW SHAFT SPEED SENSORS	40 - 67	1H18	MOTOR, SEPARATOR FAN DRIVE ADJUSTING	40 - 65
3F23	LOWER AUGER, CLEAN GRAIN	130 - 2	1H19	MOTOR, SEPARATOR FAN DRIVE ADJUSTING	40 - 66
4B17	LOWER GEARCASE, VERTICAL AUGER	150 - 12	1G17	MOTOR, WINDSHIELD WIPER (LONG)	40 - 40
2D6	LOWER HYDROSTATIC DRIVE OIL LINES AND HOSES (TWO WHEEL DRIVE)	50 - 52	2E21	MOUNTING, HYDRAULIC OIL RESERVOIR	70 - 1
3G20	LOWER TAILINGS AUGER.....	130 - 24			
3E19	LUBE HOSE, DISCHARGE BEATER ASSEMBLY.....	120 - 26			
2B24	LUBE PUMP, TRANSMISSION.....	50 - 16			
1C11	LUBRICANT, ELECTRICAL CONNECTOR, ENGINE	25 - 2			
1C11	LUBRICANT, VALVE STEM	25 - 2			
M					
1G21	MAGNETIC PICK-UP (ENGINE)	40 - 44			
1H20	MAGNETS, LOW SHAFT SPEED SENSOR	40 - 67			
1C12	MAIN BEARING CAPS	25 - 4			
1C22	MAIN BEARINGS.....	25 - 14			
4D5	MAIN FRAME PIVOT BUSHINGS (RUBBER TRACK) ..	160 - 4			
3I9	MAIN GEARCASE	140 - 6			

ALPHABETICAL INDEX - CONTINUED

GRID		PAGE	GRID		PAGE
2G11	MOUNTING, ONE GALLON ACCUMULATOR	70 - 40	2G12	ONE HALF GALLON ACCUMULATOR AND MOUNTING	70 - 41
4D3	MOUNTING, TRACK FRAME (RUBBER TRACK)	160 - 2	2J9	OPERATOR'S BACKREST	90 - 20
2F13	MOUNTINGS, SIX STACK SOLENOID CONTROL VALVE	70 - 18	2J9	OPERATOR'S SEAT	90 - 20
2F9	MOUNTINGS, SOLENOID CONTROL VAVLE MODULE ASSEMBLY	70 - 14	2C20	OUTER COVER, CAM LOBE MOTOR	50 - 40
2F11	MOUNTINGS, SOLENOID CONTROL VAVLE MODULE ASSEMBLY	70 - 16	1F17	OUTLET, CONVENIENCE, KIT	40 - 12
2D19	MUD SHIELDS POWERED REAR WHEELS	50 - 66	1C16	OVERHAUL KIT, ENGINE	25 - 8
1F3	MUFFLER	30 - 24	2K1	OVERHEAD CONSOLE	90 - 38
N			P		
3E11	NOSE SPIDER REPAIR KIT	120 - 16	2C22	PACKING, CAM LOBE MOTOR	50 - 42
1E12	NOZZLE, FUEL INJECTION	30 - 8	4C15	PADDLE, MOISTURE SENSOR YIELD MAPPING	155 - 8
1E6	NOZZLES, FUEL INJECTION (ROBERT BOSCH)	30 - 2	3G1	PADDLES, CLEAN GRAIN ELEVATOR	130 - 4
1G15	NOZZLES, WINDSHIELD WASHER	40 - 38	3G14	PADDLES, UPPER TAILINGS ELEVATOR	130 - 18
O			1D14	PAN, OIL	25 - 34
1D17	O-RING, WATER PUMP	25 - 38	3E21	PAN, SHAKER	120 - 28
1C18	O-RINGS, LINER	25 - 10	2J7	PANEL, AIR SUSPENSION SEAT	90 - 18
1C11	OFF-SEASON STORAGE KIT	25 - 2	2J12	PANEL, ARMREST CONTROL	90 - 24
1D11	OIL COOLER ADAPTER	25 - 30	2J14	PANEL, ARMREST CONTROL (CONTINUED)	90 - 26
2F1	OIL COOLER AND AIR CONDITIONER CONDENSER	70 - 6	4B8	PANEL, GRAIN TANK	150 - 2
1D10	OIL COOLER BYPASS ADAPTER	25 - 29	2H11	PANEL, LEFT FRONT	80 - 10
1D10	OIL COOLER BYPASS TUBES	25 - 29	2H19	PANEL, R.H. FRONT	80 - 18
1D11	OIL COOLER COVER	25 - 30	3H16	PANEL, STRAW SPREADER FRAME	135 - 16
2D10	OIL COOLER LINES AND HOSES, HYDROSTATIC	50 - 56	2J18	PANELS, STEERING COLUMN (UPPER)	90 - 30
1D11	OIL COOLER TUBES	25 - 30	3H18	PANELS, STRAW SPREADER	135 - 18
1D11	OIL COOLER, ENGINE	25 - 30	2D21	PARKING BRAKE PEDAL AND SEAL	60 - 2
2G5	OIL COOLER, FEEDER HOUSE GEARCASE	70 - 34	2D23	PEDAL, BRAKE	60 - 4
1C5	OIL DRAIN, ENGINE CRANKCASE	20 - 26	2D21	PEDAL, PARKING BRAKE	60 - 2
3I7	OIL FILTER ASSEMBLY, ENGINE GEARCASE	140 - 4	2J20	PEDAL, REVERSER FOOT CONTROL, FEEDER HOUSE	90 - 32
1D12	OIL FILTER BASE	25 - 32	2J16	PEDAL, STEERING COLUMN (LOWER)	90 - 28
1D12	OIL FILTER BYPASS VALVE	25 - 32	1G21	PICK-UP, MAGNETIC (ENGINE)	40 - 44
1D12	OIL FILTER HOUSING	25 - 32	1C12	PISTON COOLING JETS	25 - 4
1D12	OIL FILTER HOUSING GASKET	25 - 32	1C18	PISTON RINGS	25 - 10
1D12	OIL FILTER, ENGINE	25 - 32	1C18	PISTON/LINER KIT	25 - 10
2D6	OIL HOSES, HYDROSTATIC DRIVE, LOWER (TWO WHEEL DRIVE)	50 - 52	2C24	PISTON, CAM, AND CARRIER	50 - 45
2D8	OIL HOSES, UPPER, HYDROSTATIC DRIVE	50 - 54	1C18	PISTON, ENGINE	25 - 10
2C6	OIL LINE, FINAL DRIVE	50 - 24	2C17	PISTON, HYDROSTATIC DRIVE MOTOR	50 - 36
2D6	OIL LINES HYDROSTATIC DRIVE, LOWER (TWO WHEEL DRIVE)	50 - 52	2C10	PISTON, HYDROSTATIC DRIVE PUMP	50 - 28
1D23	OIL LINES, TURBOCHARGER	25 - 44	2C12	PISTON, HYDROSTATIC DRIVE PUMP (CONTINUED)	50 - 30
1D14	OIL PAN	25 - 34	4D5	PIVOT BUSHINGS, MAIN FRAME (RUBBER TRACK)	160 - 4
1D14	OIL PAN DRAIN VALVE	25 - 34	2D1	PIVOTS, CAPS AND YOKE	50 - 46
1D14	OIL PAN GASKET	25 - 34	1B21	PLATE, ENGINE FAN	20 - 16
1D11	OIL PRESSURE REGULATING VALVE	25 - 30	1B23	PLATE, FAN DRIVE	20 - 18
1D12	OIL PRESSURE REGULATING VALVE	25 - 32	3D1	PLATES, WEAR, FEEDER HOUSE (CONTOUR MASTER)	110 - 24
1C1	OIL PRESSURE SENSOR	20 - 21	2K8	PLATFORM, LANDING L.H.	90 - 46
1C19	OIL PUMP DRIVE GEAR	25 - 11	2K10	PLATFORM, LANDING R.H.	90 - 48
1D7	OIL PUMP DRIVE GEAR	25 - 26	1C3	PLUG, ENGINE BLOCK DRAIN	20 - 24
1D7	OIL PUMP GASKET	25 - 26	1C12	PLUGS, CYLINDER BLOCK	25 - 4
1D9	OIL PUMP INTAKE	25 - 28	4F1	PORTUGESE DECALS AND LABELS	170 - 23
1D9	OIL PUMP INTAKE GASKET	25 - 28	4C9	POSITION RECEIVER YIELD MAPPING	155 - 2
1D7	OIL PUMP, ENGINE	25 - 26	4C9	POSITION RECEIVER BRACKET YIELD MAPPING	155 - 2
1C25	OIL SEAL, CRANKSHAFT FRONT	25 - 17	4C9	POSITION RECEIVER COVER YIELD MAPPING	155 - 2
1C23	OIL SEAL, REAR	25 - 15	3D15	POSITION SENSOR, FEEDER HOUSE	110 - 38
3B17	OIL, A/C COMPRESSOR	95 - 11	2K1	POTENTIOMETER	90 - 38
1C10	OIL, ENGINE (TORQ-GARD, PLUS-50)	25 - 1	3B10	PRECLEANER, AIR CONDITION AND HEATER	95 - 4
1C11	OIL, VALVE STEM LUBRICANT	25 - 2	2G13	PRESSURE GAUGE, ACCUMULATOR	70 - 42
2G11	ONE GALLON ACCUMULATOR AND MOUNTING	70 - 40	3I5	PRESSURE REGULATOR, ENGINE GEARCASE	140 - 2

ALPHABETICAL INDEX - CONTINUED

GRID		PAGE	GRID		PAGE
317	PRESSURE SWITCH, ENGINE GEARCASE OIL FILTER ASSEMBLY	140 - 4	211	REAR LANDING AND LADDER	80 - 26
2E24	PRESSURE, HYDRAULIC, LINES AND HOSES	70 - 4	1H25	REAR LIGHT (AMBER)	40 - 72
3J8	PRIMARY COUNTERSHAFT AND SHEAVE	140 - 30	1C23	REAR OIL SEAL	25 - 15
3J5	PRIMARY COUNTERSHAFT GEARCASE	140 - 26	1C23	REAR OIL SEAL GASKET	25 - 15
3J3	PRIMARY COUNTERSHAFT UNIVERSAL DRIVESHAFTS	140 - 24	1C23	REAR OIL SEAL HOUSING	25 - 15
4C11	PROCESSOR, MOBILE YIELD MAPPING	155 - 4	111	REAR TURN AND TAIL LIGHTS	40 - 73
1B18	PROPELLER, RADIATOR	20 - 13	2H17	REAR WALL	80 - 16
1C2	PULLEY, AIR CONDITIONER IDLER	20 - 22	2B20	REAR WHEELS (4-WHEEL DRIVE/CAM LODE MOTOR)	50 - 12
1E3	PULLEY, CRANKSHAFT	25 - 50	2B18	REAR WHEELS AND WHEEL WEIGHTS	50 - 10
1B21	PULLEY, ENGINE FAN	20 - 16	2I20	REAR, SIDE AND FLOOR PANELS, CAB	90 - 6
1B23	PULLEY, FAN ADJUSTABLE	20 - 18	3B15	RECEIVER-DRYER, AIR CONDITION SYSTEM	95 - 9
3J10	PULLEY, FEED ACCELERATOR DRIVE IDLER	140 - 32	4C9	RECEIVER, POSITION YIELD MAPPING	155 - 2
2F21	PUMP MOUNTING SHEAVE, REEL/BELT PICKUP DRIVE	70 - 26	1B19	RECOVERY TANK, COOLANT	20 - 14
2G1	PUMP, CHAFF SPREADER	70 - 30	2F23	REEL DRIVE FLOW CONTROL VALVE	70 - 28
1E8	PUMP, FUEL INJECTION	30 - 4	2G4	REEL DRIVE HOSES	70 - 33
1E11	PUMP, FUEL TRANSFER (ROBERT BOSCH)	30 - 7	2G3	REEL LIFT HOSES	70 - 32
2C14	PUMP, HYDROSTATIC DRIVE CHARGE	50 - 33	2F5	REEL LIFT SOLENOID CONTROL VALVE	70 - 10
2E22	PUMP, MAIN HYDRAULIC	70 - 2	2G3	REEL POSITION HOSES	70 - 32
1D7	PUMP, OIL ENGINE	25 - 26	2G1	REEL/BELT PICKUP DRIVE, CHAFF SPREADER PUMP	70 - 30
1D17	PUMP, WATER	25 - 38	2F21	REEL/BELT PICKUP PUMP MOUNT AND SHEAVE	70 - 26
1G15	PUMP, WINDSHIELD WASHER	40 - 38	1I3	REFLECTOR, TRANSPORT WARNING LIGHTS	40 - 75
1D4	PUSH RODS	25 - 22	3I5	REGULATOR, ENGINE GEARCASE PRESSURE	140 - 2
R			1H9	REGULATOR, VOLTAGE, ALTERNATOR (185 AMP)....	40 - 56
2J24	R.H. CORNERPOST DISPLAY PANEL	90 - 36	1H5	RELAY PANEL, CIRCUIT BREAKER	40 - 52
4E15	R.H. DECALS	170 - 12	2F8	RELIEF VALVE, SOLENOID MODULE	70 - 13
3C21	R.H. DRIVE SHIELDS	110 - 20	2E1	RESERVOIR AND BRAKE LINES	60 - 6
1H24	R.H. FRONT LIGHT	40 - 71	2E21	RESERVOIR, HYDRAULIC	70 - 1
2H19	R.H. FRONT PANEL	80 - 18	1G15	RESERVOIR, WINDSHIELD WASHER	40 - 38
2H21	R.H. GULLWING DOOR	80 - 20	1I8	RETAINERS, CLEANING SHOE INSPECTION LIGHT	40 - 80
1G2	R.H. MAIN WIRING HARNESS W/O GREENSTAR	40 - 24	1I2	RETAINERS, SIDE FINDER LIGHTS	40 - 74
1G5	R.H. MAIN WIRING HARNESS W/GREENSTAR	40 - 28	3D13	RETURN FLOOR, FEEDER HOUSE	110 - 36
1G4	R.H. MAIN WIRING HARNESS, W/O GREENSTAR (REFERENCE)	40 - 27	2J20	REVERSER FOOT CONTROL, FEEDER HOUSE	90 - 32
2H23	R.H. REAR RADIATOR DOOR	80 - 22	3C6	REVERSER GEARBOX (HI CAPACITY)	110 - 4
2H3	R.H. SEPARATOR FRAME	80 - 2	3C9	REVERSER GEARBOX (STANDARD)	110 - 8
2H9	R.H. SHIELDS	80 - 8	1C24	RING GEAR, FLYWHEEL	25 - 16
4E5	R.H. SIDE SAFETY DECALS	170 - 2	1D17	RING, WATER PUMP RETAINING	25 - 38
1B17	RADIATOR	20 - 12	1C18	RINGS, PISTON	25 - 10
1B13	RADIATOR FRAME	20 - 8	3E11	RIVNUT REPAIR KIT	120 - 16
1B15	RADIATOR HOSES	20 - 10	4E9	ROADWAY MARKING LOCATIONS	170 - 6
1B18	RADIATOR PROPELLER	20 - 13	1D5	ROCKER ARM COVER	25 - 23
1B18	RADIATOR SUPPORTS	20 - 13	1D5	ROCKER ARM COVER GASKET	25 - 23
1B18	RADIATOR TANK	20 - 13	1D4	ROCKER ARM SHAFT	25 - 22
2K3	RADIO, SPEAKERS AND ANTENNA	90 - 40	1D4	ROCKER ARMS	25 - 22
3E9	RAILS, MODULE, SEPARATOR	120 - 14	1D4	ROD, PUSH	25 - 22
1B11	RAKE, ROTARY SCREEN DOOR	20 - 6	1C18	RODS, CONNECTING	25 - 10
2H24	REAR ACCESS DOOR	80 - 24	4F2	ROMANIAN DECALS AND LABELS	170 - 24
4E19	REAR AND FRONT DECALS	170 - 16	2I24	ROOF, CAB INTERIOR	90 - 10
4E23	REAR AND FRONT TIRE DECALS	170 - 20	1B11	ROTARY SCREEN DOOR	20 - 6
4D11	REAR ARM, TENSION CYLINDER & IDLER AXLE (RUBBER TRACK)	160 - 10	1B8	ROTARY SCREEN DRIVE	20 - 2
2E15	REAR AXLE SPINDLES (HEAVY DUTY)	60 - 20	1B10	ROTARY SCREEN IDLER ARM, SHEAVES	20 - 4
2B11	REAR AXLE, ADJUSTABLE (NON-POWERED)	50 - 3	3E8	ROTOR BEARING AND CHANNEL	120 - 13
2B10	REAR AXLE, ADJUSTABLE (POWERED)	50 - 2	3E8	ROTOR SPEED SENSOR	120 - 13
2B9	REAR AXLE, FIXED (NON-POWERED)	50 - 1	2B24	ROTOR, INPUT SHAFT	50 - 16
2I5	REAR FIXED LANDING AND HANDRAIL	80 - 30	3H8	ROTOR, STRAW CHOPPER	135 - 8
2H15	REAR GULLWING DOOR, L.H.	80 - 14	3D13	RUNNERS, FEEDER HOUSE RETURN FLOOR	110 - 36
2I3	REAR LADDER LANDING LATCH ARM AND HANDRAIL	80 - 28	4F3	RUSSIAN DECALS AND LABELS	170 - 25
S					
			4E11	SAFETY DECALS AND LOCATIONS	170 - 8
			4E13	SAFETY DECALS AND LOCATIONS	170 - 10

ALPHABETICAL INDEX - CONTINUED

GRID	PAGE	GRID	PAGE		
4E9	SAFETY DECALS AND ROADWAY MARKINGS LOCATIONS.....	170 - 6	1C1	SENSOR, OIL PRESSURE	20 - 21
4E7	SAFETY DECALS, L.H. SIDE	170 - 4	3D15	SENSOR, POSITION, FEEDER HOUSE	110 - 38
4E5	SAFETY DECALS, R.H. SIDE	170 - 2	1H15	SENSOR, SPEED, FEEDER HOUSE BACKSHAFT	40 - 62
4E21	SAFETY DECALS, RUBBER TRACK	170 - 18	3E8	SENSOR, SPEED, ROTOR	120 - 13
4E21	SAFETY LABELS, RUBBER TRACK	170 - 18	3H22	SENSOR, SPEED, STRAW SPREADER	135 - 22
4B14	SAMPLING TROUGH, GRAIN TANK	150 - 8	1C1	SENSOR, START RELAY	20 - 21
1H9	SCREEN, ALTERNATOR (185 AMP)	40 - 56	3H6	SENSOR, STRAW CHOPPER	135 - 6
1H7	SCREEN, ALTERNATOR (95 AMP)	40 - 54	1D22	SENSOR, TEMPERATURE	25 - 43
2B24	SCREEN, LUBE PUMP	50 - 16	1E8	SENSOR, TEMPERATURE (FIP)	30 - 4
3I15	SCREEN, MAIN GEARCASE	140 - 12	1C6	SENSOR, TEMPERATURE, ENGINE CYLINDER HEAD	20 - 27
1B11	SCREEN, ROTARY DOOR	20 - 6	1E25	SENSOR, VACUUM, AIR CLEANER	30 - 21
2E9	SEAL KIT, STEERING VALVE	60 - 14	1B15	SENSOR, WATER TEMPERATURE	20 - 10
3B17	SEAL, A/C COMPRESSOR	95 - 11	1H20	SENSORS, LOW SHAFT SPEED	40 - 67
2D23	SEAL, BRAKE PEDALS	60 - 4	3E13	SEPARATOR CONE ASSEMBLY	120 - 18
3F6	SEAL, CHAFFER FRAME	125 - 6	3E11	SEPARATOR CONE REPAIR KITS	120 - 16
3J16	SEAL, CLEANING FAN DRIVE	140 - 38	3E7	SEPARATOR DOORS AND SEALS	120 - 12
3J10	SEAL, FEED ACCELERATOR DRIVE IDLER	140 - 32	3I21	SEPARATOR DRIVE TORQUE SENSING	140 - 18
3D15	SEAL, FEEDER HOUSE POSITION SENSOR	110 - 38	3I19	SEPARATOR DRIVE VARIABLE SPEED	140 - 16
1C25	SEAL, FRONT OIL	25 - 17	1H18	SEPARATOR FAN DRIVE ADJUSTING MOTOR	40 - 65
1E22	SEAL, FUEL TANK	30 - 18	1H19	SEPARATOR FAN DRIVE ADJUSTING MOTOR	40 - 66
3G20	SEAL, LOWER TAILINGS AUGER	130 - 24	2H5	SEPARATOR FRAME, L.H.	80 - 4
3I11	SEAL, MAIN GEARCASE (9650 STS)	140 - 8	2H3	SEPARATOR FRAME, R.H.	80 - 2
3I13	SEAL, MAIN GEARCASE (9750 STS)	140 - 10	3E18	SEPARATOR GRATE	120 - 24
2D21	SEAL, PARKING BRAKE	60 - 2	3E9	SEPARATOR MODULE RAILS AND DISCHARGE HOUSING	120 - 14
3J8	SEAL, PRIMARY COUNTERSHAFT	140 - 30	3E3	SEPARATOR TOP COVERS	120 - 8
1C23	SEAL, REAR OIL	25 - 15	3D22	SEPARATOR/FEEDER HOUSE SEAL, STONE TRAP, AND DOOR	120 - 2
3I21	SEAL, SEPARATOR DRIVE TORQUE SENSING	140 - 18	1F10	SERVICE KIT, ELECTRICAL CONNECTORS	40 - 4
3D22	SEAL, SEPARATOR/FEEDER HOUSE	120 - 2	1F12	SERVICE KIT, ELECTRICAL CONNECTORS (CONTINUED)	40 - 6
3H12	SEAL, STRAW CHOPPER JACKSHAFT	135 - 12	2I17	SERVICE LIGHT, CAB SUPPORT	90 - 2
3J19	SEAL, TAILINGS ELEVATOR DRIVE IDLER ASSEMBLY	140 - 41	2H13	SERVICE LIGHT, L.H. GULLWING	80 - 12
1D17	SEAL, TUBE, WATER PUMP	25 - 38	2H15	SERVICE LIGHT, L.H. REAR GULLWING	80 - 14
3I23	SEAL, TWO-SPEED GEARBOX	140 - 20	2H21	SERVICE LIGHT, R.H. GULLWING	80 - 20
1D17	SEAL, WATER PUMP OIL	25 - 38	2H17	SERVICE LIGHT, REAR WALL	80 - 16
2I22	SEALS, CAB INTERIOR	90 - 8	2C12	SERVO, HYDROSTATIC PUMP	50 - 30
2C20	SEALS, CAM LOBE MOTOR	50 - 40	3F4	SHAFT, AUGER BED	125 - 4
3G1	SEALS, CLEAN GRAIN ELEVATOR	130 - 4	2D23	SHAFT, BRAKE PEDALS	60 - 4
3G8	SEALS, CLEAN GRAIN ELEVATOR GEARCASE	130 - 12	2C20	SHAFT, CAM LOBE MOTOR	50 - 40
3D1	SEALS, FEEDER HOUSE (CONTOUR MASTER)	110 - 24	3F10	SHAFT, CHAFFER ELEMENT	125 - 10
1B13	SEALS, RADIATOR FRAME	20 - 8	3F6	SHAFT, CHAFFER FRAME	125 - 6
3E7	SEALS, SEPARATOR DOOR	120 - 12	3F19	SHAFT, CLEANING FAN	125 - 20
3I19	SEALS, SEPARATOR DRIVE VARIABLE SPEED	140 - 16	3F16	SHAFT, CLEANING FAN ASSEMBLY	125 - 16
3F14	SEALS, SIEVE ELEMENT	125 - 14	3E19	SHAFT, DISCHARGE BEATER ASSEMBLY	120 - 26
2J9	SEAT BELT, OPERATOR'S SEAT	90 - 20	3C11	SHAFT, DRIVE, FIXED SPEED FEEDER HOUSE	110 - 10
2J5	SEAT CONSOLE	90 - 16	3I11	SHAFT, DRIVE, MAIN GEARCASE (9650 STS)	140 - 8
2J7	SEAT, AIR SUSPENSION	90 - 18	3I13	SHAFT, DRIVE, MAIN GEARCASE (9750 STS)	140 - 10
2J9	SEAT, OPERATOR'S	90 - 20	3I23	SHAFT, DRIVE, TWO-SPEED GEARBOX	140 - 20
2J11	SEATBELT, SEAT, TRAINING	90 - 22	3D17	SHAFT, DRIVE, UPPER, FIXED SPEED FEEDER HOUSE	110 - 40
3B8	SENSOR, AIR CONDITIONER AND HEATER TEMPERATURE	95 - 2	1B21	SHAFT, ENGINE FAN	20 - 16
3E14	SENSOR, CONCAVE CLEARANCE INDICATOR	120 - 20	3J14	SHAFT, FAN DRIVE SPEED CONTROL	140 - 36
3E16	SENSOR, CONCAVE CLEARANCE INDICATOR	120 - 22	3D24	SHAFT, FEED ACCELERATOR	120 - 4
1G21	SENSOR, ENGINE SPEED	40 - 44	3D15	SHAFT, FEEDER HOUSE POSITION SENSOR	110 - 38
3B16	SENSOR, EVAPORATOR TEMPERATURE (AIR CONDITIONING SYSTEM)	95 - 10	2C15	SHAFT, HYDROSTATIC DRIVE DISPLACEMENT CONTROL VALVE	50 - 34
1G19	SENSOR, GRAIN LOSS MONITOR	40 - 42	2C17	SHAFT, HYDROSTATIC DRIVE MOTOR	50 - 36
1I4	SENSOR, GRAIN TANK FULL BIN	40 - 76	2C10	SHAFT, HYDROSTATIC DRIVE PUMP	50 - 28
2C3	SENSOR, GROUND SPEED	50 - 20	3D7	SHAFT, IDLER, FEEDER HOUSE CONVEYOR	110 - 30
2E21	SENSOR, HYDRAULIC OIL TEMPERATURE	70 - 1	2E15	SHAFT, REAR AXLE SPINDLES (HEAVY DUTY)	60 - 20
4C13	SENSOR, MASS FLOW YIELD MAPPING	155 - 6	3C6	SHAFT, REVERSER GEARBOX (HI-CAPACITY)	110 - 4
3G18	SENSOR, MATERIAL HANDLING, TAILINGS ELEVATOR	130 - 22	3C9	SHAFT, REVERSER GEARBOX (STANDARD)	110 - 8
1I6	SENSOR, MOISTURE	40 - 78	1D4	SHAFT, ROCKER ARM	25 - 22
4C15	SENSOR, MOISTURE YIELD MAPPING	155 - 8	1B8	SHAFT, ROTARY SCREEN DRIVE	20 - 2
			3I19	SHAFT, SEPARATOR DRIVE VARIABLE SPEED	140 - 16

ALPHABETICAL INDEX - CONTINUED

GRID		PAGE	GRID		PAGE
3F12	SHAFT, SIEVE FRAME	125 - 12	3D1	SHELL, FEEDER HOUSE (CONTOUR MASTER)	110 - 24
2J16	SHAFT, STEERING COLUMN (LOWER)	90 - 28	3J22	SHIELD, DISCHARGE BEATER DRIVE IDLER ASSEMBLY	140 - 44
2C1	SHAFT, TRANSMISSION PINION	50 - 18	3B10	SHIELD, DUST, AIR CONDITION AND HEATER	95 - 4
3G14	SHAFT, UPPER TAILINGS ELEVATOR	130 - 18	1B13	SHIELD, DUST, RADIATOR FRAME	20 - 8
3G16	SHAFT, UPPER TAILINGS ELEVATOR (CONTINUED)	130 - 20	2I10	SHIELD, ENGINE COVERS	80 - 36
3G3	SHAFT, UPPER, CLEAN GRAIN ELEVATOR	130 - 6	1D2	SHIELD, EXHAUST VALVE	25 - 20
3D3	SHAFT, UPPER, FEEDER HOUSE	110 - 26	4B8	SHIELD, GRAIN TANK	150 - 2
1G17	SHAFT, WINDSHIELD WIPER	40 - 40	3J3	SHIELD, PRIMARY COUNTERSHAFT UNIVERSAL DRIVESHAFTS	140 - 24
3G8	SHAFTS, CLEAN GRAIN ELEVATOR GEARCASE	130 - 12	3H12	SHIELD, STRAW CHOPPER JACKSHAFT	135 - 12
2C3	SHAFTS, DIFFERENTIAL	50 - 20	1I3	SHIELD, TRANSPORT WARNING LIGHTS	40 - 75
2B12	SHAFTS, DRIVE	50 - 4	4B17	SHIELD, VERTICAL AUGER LOWER GEARCASE	150 - 12
2B13	SHAFTS, DRIVE	50 - 5	2B10	SHIELDS, ADJUSTABLE REAR AXLE (POWERED)	50 - 2
2C6	SHAFTS, FINAL DRIVE	50 - 24	2I17	SHIELDS, CAB SUPPORT	90 - 2
3I9	SHAFTS, MAIN GEARCASE	140 - 6	3H14	SHIELDS, CHOPPER AND SPREADER DRIVE	135 - 14
4B17	SHAFTS, VERTICAL AUGER LOWER GEARCASE	150 - 12	3C19	SHIELDS, DRIVE, L.H.	110 - 18
3E21	SHAKER PAN	120 - 28	3C21	SHIELDS, DRIVE, R.H.	110 - 20
1H9	SHEAVE, ALTERNATOR (185 AMP)	40 - 56	3D1	SHIELDS, FEEDER HOUSE (CONTOUR MASTER)	110 - 24
1H7	SHEAVE, ALTERNATOR (95 AMP)	40 - 54	3C23	SHIELDS, FEEDER HOUSE FRAME	110 - 22
3J20	SHEAVE, CHAFFER FRAME SHOE DRIVE	140 - 42	2D6	SHIELDS, HYDROSTATIC DRIVE OIL LINES AND HOSES, LOWER (TWO WHEEL DRIVE)	50 - 52
3G3	SHEAVE, CLEAN GRAIN ELEVATOR	130 - 6	2H7	SHIELDS, L.H.	80 - 6
3G8	SHEAVE, CLEAN GRAIN ELEVATOR (CONTINUED)	130 - 12	2D19	SHIELDS, MUD, POWERED REAR WHEELS	50 - 66
3E19	SHEAVE, DISCHARGE BEATER ASSEMBLY	120 - 26	2H9	SHIELDS, R.H.	80 - 8
3J22	SHEAVE, DISCHARGE BEATER DRIVE IDLER ASSEMBLY	140 - 44	3H20	SHIELDS, STRAW SPREADER	135 - 20
1B21	SHEAVE, ENGINE FAN	20 - 16	3G6	SHIELDS, UPPER GRAIN LOADING AUGER HOUSING	130 - 10
3J17	SHEAVE, FAN DRIVE	140 - 39	2D14	SHIELDS, 4-WHEEL DRIVE HOSES AND LINES	50 - 60
3D24	SHEAVE, FEED ACCELERATOR	120 - 4	2B23	SHIFTER CAM, TRANSMISSION/ DIFFERENTIAL	50 - 15
3J10	SHEAVE, FEED ACCELERATOR DRIVE IDLER	140 - 32	2B22	SHIFTER FORKS, TRANSMISSION/ DIFFERENTIAL HOUSING	50 - 14
3C11	SHEAVE, FIXED SPEED FEEDER HOUSE	110 - 10	3C6	SHIFTER, REVERSER GEARBOX (HI-CAPACITY)	110 - 4
3D17	SHEAVE, FIXED SPEED FEEDER HOUSE	110 - 40	3C9	SHIFTER, REVERSER GEARBOX (STANDARD)	110 - 8
3J7	SHEAVE, HEADER ELECTROMAGNETIC CLUTCH (HI-CAPACITY)	140 - 28	1C18	SHIM, LINER	25 - 10
3J7	SHEAVE, HEADER ELECTROMAGNETIC CLUTCH (STANDARD)	140 - 28	4D3	SHIPPING FRAME (RUBBER TRACK)	160 - 2
2F21	SHEAVE, MOUNTING, PUMP, REEL/BELT PICKUP DRIVE	70 - 26	3J20	SHOE DRIVE, CHAFFER FRAME	140 - 42
3J8	SHEAVE, PRIMARY COUNTERSHAFT	140 - 30	3J21	SHOE/CONVEYOR AUGER DRIVE IDLER ASSEMBLY	140 - 43
1B10	SHEAVE, ROTARY SCREEN	20 - 4	4D21	SHOES AND DRUM, BRAKE (RUBBER TRACK)	160 - 22
1B8	SHEAVE, ROTARY SCREEN DRIVE	20 - 2	2E5	SHOES, BRAKE	60 - 10
3J18	SHEAVE, SLOW DOWN, FAN DRIVE	140 - 40	1C14	SHORT BLOCK	25 - 6
3K3	SHEAVE, STRAW CHOPPER DRIVE IDLER ASSEMBLY	140 - 50	1E1	SHORT BLOCK GASKET KIT	25 - 48
3H12	SHEAVE, STRAW CHOPPER JACKSHAFT	135 - 12	1B13	SHROUD, RADIATOR FRAME	20 - 8
3K4	SHEAVE, UNLOADING AUGER COUNTERSHAFT DRIVE	140 - 52	3H18	SHROUDS, STRAW SPREADER	135 - 18
3G14	SHEAVE, UPPER TAILINGS ELEVATOR	130 - 18	1E8	SHUT-OFF HOUSING SOLENOID (FIP)	30 - 4
3D11	SHEAVE, VARIABLE SPEED FEEDER HOUSE (HI-CAPACITY)	110 - 34	1I2	SIDE FINDER LIGHTS	40 - 74
3D11	SHEAVE, VARIABLE SPEED FEEDER HOUSE (STANDARD)	110 - 34	3F14	SIEVE ELEMENT	125 - 14
3K1	SHEAVES, CLEAN GRAIN ELEVATOR DRIVE TIGHTENER AND IDLER	140 - 48	3F12	SIEVE FRAME	125 - 12
3J16	SHEAVES, CLEANING FAN DRIVE	140 - 38	2F13	SIX STACK SOLENOID CONTROL VALVE MODULE ASSEMBLY & MOUNTINGS	70 - 18
3J24	SHEAVES, ELEVATOR DRIVE JACKSHAFT ASSEMBLY	140 - 46	2E7	SLAVE, CYLINDER, BRAKE	60 - 12
3J12	SHEAVES, FEED ACCELERATOR DRIVER SECONDARY JACKSHAFT	140 - 34	3D19	SLIP CLUTCH (RADIAL PIN)	110 - 42
3I9	SHEAVES, MAIN GEARCASE	140 - 6	3J23	SLIP CLUTCH, CONVEYOR AUGER DRIVE/ TAILINGS ELEVATOR	140 - 45
3I21	SHEAVES, SEPARATOR DRIVE TORQUE SENSING ..	140 - 18	3J23	SLIP CLUTCH, TAILINGS ELEVATOR/CONVEYOR AUGER DRIVE	140 - 45
3I19	SHEAVES, SEPARATOR DRIVE VARIABLE SPEED	140 - 16	2F8	SOLENOID CONTROL RELIEF VALVE MODULE	70 - 13
3J23	SHEAVES, SLIP CLUTCH	140 - 45	2F15	SOLENOID CONTROL VALVE BRACKETS	70 - 20
3F17	SHEET, CLEANING FAN	125 - 18	2F9	SOLENOID CONTROL VALVE MODULE ASSEMBLY AND MOUNTINGS	70 - 14
3H3	SHEETS, STRAW CHOPPER	135 - 2	2F11	SOLENOID CONTROL VALVE MODULE ASSEMBLY AND MOUNTINGS	70 - 16
3G6	SHEETS, UPPER GRAIN LOADING AUGER HOUSING	130 - 10	2F13	SOLENOID CONTROL VALVE MODULE, SIX STACK ASSEMBLY & MOUNTINGS	70 - 18
			2F7	SOLENOID CONTROL VALVE, AUGER SWING	70 - 12

ALPHABETICAL INDEX - CONTINUED

GRID		PAGE	GRID		PAGE
2F5	SOLENOID CONTROL VALVE, CYLINDER SPEED	70 - 10	3H16	STRAW SPREADER FRAME	135 - 16
2F5	SOLENOID CONTROL VALVE, REEL LIFT	70 - 10	3H24	STRAW SPREADER LATCH AND HANDLE	135 - 24
2F5	SOLENOID CONTROL VALVE, VARIABLE SPEED	70 - 10	3H20	STRAW SPREADER SHIELDS	135 - 20
1E8	SOLENOID, FUEL SHUT-OFF (FIP)	30 - 4	3H22	STRAW SPREADER SPEED SENSOR	135 - 22
1E8	SOLENOID, SHUT-OFF HOUSING (FIP)	30 - 4	2G15	STRAW SPREADER VALVE AND HOSES	70 - 44
1E16	SOLENOID, STARTING AID	30 - 12	3D13	STRIPPER, FEEDER HOUSE RETURN FLOOR	110 - 36
2B12	SPACERS, AXLE	50 - 4	1B21	SUCTION FAN, ENGINE	20 - 16
2B13	SPACERS, AXLE	50 - 5	2I24	SUN VISOR, CAB ROOF	90 - 10
4F4	SPANISH DECALS AND LABELS	170 - 26	1F16	SUPPLEMENTARY TERMINALS AND CONNECTORS	40 - 10
2K3	SPEAKER, ANTENNA AND RADIO	90 - 40	2E8	SUPPORT BRACKET, BRAKE CABLE	60 - 13
3J17	SPEED CONTROL LINKAGE	140 - 39	1C2	SUPPORT, AIR CONDITIONER COMPRESSOR	20 - 22
2C6	SPINDLE, FINAL DRIVE	50 - 24	1H11	SUPPORT, ALTERNATOR	40 - 58
2E15	SPINDLES, REAR AXLE (HEAVY DUTY)	60 - 20	3F2	SUPPORT, AUGER BED ASSEMBLY	125 - 2
3G12	SPOUT ASSEMBLY, LOADING AUGER	130 - 16	2D23	SUPPORT, BRAKE PEDALS	60 - 4
4C1	SPOUT, HORIZONTAL UNLOADING AUGER HOUSING (EXPORT) (17 AND 20 FT.)	150 - 20	2I17	SUPPORT, CAB	90 - 2
4B23	SPOUT, HORIZONTAL UNLOADING AUGER HOUSING (17 AND 20 FT.)	150 - 18	2J3	SUPPORT, CAB DOOR LATCH	90 - 14
3G16	SPOUT, UPPER TAILINGS ELEVATOR	130 - 20	1H3	SUPPORT, CENTRAL ELECTRONICS BOARD	40 - 50
3H14	SPREADER DRIVE SHIELDS	135 - 14	3G10	SUPPORT, CLEAN GRAIN LOADING AUGER	130 - 14
3H18	SPREADER, STRAW	135 - 18	3F17	SUPPORT, CLEANING FAN	125 - 18
3K7	SPROCKET IDLER ASSEMBLY, UNLOADING AUGER DRIVE	140 - 55	3J24	SUPPORT, ELEVATOR DRIVE JACKSHAFT ASSEMBLY	140 - 46
3F23	SPROCKET, CHAIN, CLEAN GRAIN LOWER AUGER..	130 - 2	1B21	SUPPORT, ENGINE FAN	20 - 16
4C5	SPROCKET, CHAIN, CROSS AUGERS	150 - 24	3J14	SUPPORT, FAN DRIVE SPEED CONTROL	140 - 36
3G20	SPROCKET, CHAIN, LOWER TAILINGS AUGER	130 - 24	3J18	SUPPORT, FAN DRIVER JACKSHAFT ASSEMBLY	140 - 40
3K4	SPROCKET, CHAIN, UNLOADING AUGER COUNTERSHAFT DRIVE	140 - 52	3D5	SUPPORT, FEEDER HOUSE FLOOR	110 - 28
3G14	SPROCKET, CHAIN, UPPER TAILINGS ELEVATOR	130 - 18	3C3	SUPPORT, FEEDER HOUSE LIFT	110 - 1
3G3	SPROCKET, CLEAN GRAIN ELEVATOR	130 - 6	3B10	SUPPORT, FILTER	95 - 4
3D9	SPROCKET, DRIVE, FEEDER CONVEYOR	110 - 32	4C3	SUPPORT, HORIZONTAL UNLOADING AUGER SWIVEL	150 - 22
3G16	SPROCKET, UPPER TAILINGS ELEVATOR	130 - 20	2C8	SUPPORT, HYDROSTATIC DRIVE CONTROL CABLES	50 - 26
3D3	SPROCKETS, FEEDER HOUSE UPPER SHAFT	110 - 26	2D10	SUPPORT, HYDROSTATIC OIL COOLER LINES AND HOSES	50 - 56
1C1	START RELAY SENSOR	20 - 21	2K1	SUPPORT, OVERHEAD CONSOLE	90 - 38
1H13	STARTER	40 - 60	1B18	SUPPORT, RADIATOR	20 - 13
1H13	STARTER SWITCH	40 - 60	1B10	SUPPORT, ROTARY SCREEN	20 - 4
1H13	STARTER WIRING HARNESS	40 - 60	1B8	SUPPORT, ROTARY SCREEN DRIVE	20 - 2
1E16	STARTING AID, COLD WEATHER	30 - 12	3H12	SUPPORT, STRAW CHOPPER JACKSHAFT	135 - 12
1E17	STARTING FITTINGS, ETHER	30 - 13	3H20	SUPPORT, STRAW SPREADER SHIELDS	135 - 20
1E16	STARTING FLUID, COLD WEATHER	30 - 12	3K4	SUPPORT, UNLOADING AUGER COUNTERSHAFT DRIVE	140 - 52
2J18	STARTING SWITCH	90 - 30	3G16	SUPPORT, UPPER TAILINGS ELEVATOR	130 - 20
2D3	STEERING ARM	50 - 48	2F3	SUPPORT, WET CLUTCH OIL COOLER	70 - 8
2J16	STEERING COLUMN (LOWER)	90 - 28	1G17	SUPPORT, WINDSHIELD WIPER	40 - 40
2J18	STEERING COLUMN (UPPER)	90 - 30	3F6	SUPPORTS, CHAFFER FRAME	125 - 6
1G11	STEERING COLUMN WIRING HARNESS	40 - 34	3H6	SUPPORTS, CHOPPER HOUSING	135 - 6
2E13	STEERING CYLINDER AND HOSES	60 - 18	3H14	SUPPORTS, CHOPPER/SPREADER DRIVE SHIELDS	135 - 14
2E11	STEERING HOSES, UPPER	60 - 16	3F19	SUPPORTS, CLEANING FAN (CONTINUED)	125 - 20
2E17	STEERING TIE RODS	60 - 22	3E14	SUPPORTS, CONCAVE ADJUSTING ASSEMBLY	120 - 20
2E9	STEERING VALVE	60 - 14	3E16	SUPPORTS, CONCAVE ADJUSTING ASSEMBLY	120 - 22
2I17	STEP, CAB SUPPORT	90 - 2	3E19	SUPPORTS, DISCHARGE BEATER ASSEMBLY	120 - 26
2K8	STEP, LANDING L.H.	90 - 46	3E5	SUPPORTS, DUST COVERS	120 - 10
3D22	STONE TRAP, SEPARATOR/FEEDER HOUSE	120 - 2	3D24	SUPPORTS, FEED ACCELERATOR	120 - 4
1C11	STORAGE KIT, OFF-SEASON	25 - 2	3C23	SUPPORTS, FEEDER HOUSE FRAME	110 - 22
1H7	STRAP, ADJUSTING, ALTERNATOR (95 AMP)	40 - 54	3D13	SUPPORTS, FEEDER HOUSE RETURN FLOOR	110 - 36
1H11	STRAP, ALTERNATOR ADJUSTING	40 - 58	3D17	SUPPORTS, FIXED SPEED FEEDER HOUSE	110 - 40
2I19	STRAP, GROUND	90 - 4	1E2	SUPPORTS, FUEL TANK	30 - 18
1D6	STRAPS, ENGINE LIFT	25 - 24	3C19	SUPPORTS, L.H. DRIVE SHIELDS	110 - 18
3H3	STRAW CHOPPER	135 - 2	3C21	SUPPORTS, R.H. DRIVE SHIELDS	110 - 20
1H17	STRAW CHOPPER ACTUATOR	40 - 64	2I1	SUPPORTS, REAR LANDING AND LADDER	80 - 26
3H10	STRAW CHOPPER DEFLECTOR	135 - 10	2H17	SUPPORTS, REAR WALL	80 - 16
3K3	STRAW CHOPPER DRIVE IDLER ASSEMBLY	140 - 50	3B15	SUPPORTS, RECEIVER-DRYER (AIR CONDITIONING SYSTEM)	95 - 9
3H12	STRAW CHOPPER JACKSHAFT	135 - 12	3D22	SUPPORTS, SEPARATOR/FEEDER HOUSE	120 - 2
3H8	STRAW CHOPPER ROTOR	135 - 8	3H10	SUPPORTS, STRAW CHOPPER	135 - 10
3H6	STRAW CHOPPER SENSOR	135 - 6	3D11	SUPPORTS, VARIABLE SPEED FEEDER HOUSE	110 - 34
3H18	STRAW SPREADER AND DEFLECTORS	135 - 18	4D9	SUSPENSION, AIR (RUBBER TRACK)	160 - 8
3H22	STRAW SPREADER BEARING AND SPEED SENSOR	135 - 22			
2G17	STRAW SPREADER CONTROL VALVE ASSEMBLY	70 - 46			

ALPHABETICAL INDEX - CONTINUED

GRID		PAGE	GRID		PAGE
2C12	SWASHPLATE, HYDROSTATIC PUMP	50 - 30	4C13	TRANSDUCER	
2I24	SWITCH, DOME LIGHT	90 - 10		YIELD MAPPING	155 - 6
3B16	SWITCH, EVAPORATOR HEATER (AIR CONDITIONING SYSTEM)	95 - 10	4C13	TRANSDUCER MOUNTING BRACKET YIELD MAPPING	155 - 6
2C14	SWITCH, HYDROSTATIC DRIVE CHARGE PUMP.....	50 - 33	4D17	TRANSFER GEAR CASE (RUBBER TRACK)	160 - 18
2J9	SWITCH, OPERATOR'S SEAT	90 - 20	3I17	TRANSFER GEARBOX	140 - 14
2D21	SWITCH, PARKING BRAKE	60 - 2	1E11	TRANSFER PUMP, FUEL (ROBERT BOSCH)	30 - 7
3I7	SWITCH, PRESSURE, ENGINE GEARCASE OIL FILTER ASSEMBLY	140 - 4	4C21	TRANSFORMER, DATASTORE	155 - 14
1H13	SWITCH, STARTER.....	40 - 60	2B21	TRANSMISSION.....	50 - 13
3H22	SWITCH, STRAW SPREADER	135 - 22	2B24	TRANSMISSION BEARINGS.....	50 - 16
2K1	SWITCHES, OVERHEAD CONSOLE	90 - 38	2B24	TRANSMISSION GEARS.....	50 - 16
4C3	SWIVEL, HORIZONTAL UNLOADING AUGER	150 - 22	2B24	TRANSMISSION INPUT SHAFT	50 - 16
			2B24	TRANSMISSION LUBE PUMP	50 - 16
			2C1	TRANSMISSION PINION GEARS.....	50 - 18
	T		2C1	TRANSMISSION PINION SHAFT	50 - 18
1I1	TAIL LIGHTS	40 - 73	2C1	TRANSMISSION PINION SHAFT BEARINGS	50 - 18
3G18	TAILINGS ELEVATOR	130 - 22	2C3	TRANSMISSION/DIFFERENTIAL	50 - 20
3J19	TAILINGS ELEVATOR DRIVE IDLER ASSEMBLY	140 - 41	2B23	TRANSMISSION/DIFFERENTIAL HOUSING COVER AND SHIFTER CAM	50 - 15
3J23	TAILINGS ELEVATOR/CONVEYOR AUGER DRIVE SLIP CLUTCH	140 - 45	2B22	TRANSMISSION/DIFFERENTIAL HOUSING SHIFTER FORKS	50 - 14
1B19	TANK, COOLANT RECOVERY	20 - 14	1I3	TRANSPORT WARNING LIGHTS.....	40 - 75
1E18	TANK, FUEL.....	30 - 14	3D22	TRAP, STONE, SEPARATOR/FEEDER HOUSE	120 - 2
4B8	TANK, GRAIN.....	150 - 2	1H4	TRAY, BATTERIES	40 - 51
1B18	TANK, RADIATOR	20 - 13	3F2	TROUGH, AUGER BED ASSEMBLY	125 - 2
1D22	TEMPERATURE SENSOR	25 - 43	3G20	TROUGH, LOWER TAILINGS AUGER.....	130 - 24
1E8	TEMPERATURE SENSOR (FIP).....	30 - 4	3I9	TROUGH, MAIN GEARCASE	140 - 6
1C6	TEMPERATURE SENSOR, ENGINE CYLINDER HEAD	20 - 27	4B14	TROUGH, SAMPLING, GRAIN TANK.....	150 - 8
4E3	TENSION CYLINDER (RUBBER TRACK)	160 - 28	1D17	TUBE SEAL, WATER PUMP.....	25 - 38
4D11	TENSION CYLINDER AND ATTACHING HARDWARE (RUBBER TRACK)	160 - 10	1D16	TUBE, ENGINE OIL DIPSTICK.....	25 - 36
4E1	TENSION CYLINDER HYDRAULICS (RUBBER TRACK)	160 - 26	3G12	TUBE, LOADING AUGER SPOUT ASSEMBLY	130 - 16
1F14	TERMINAL AND WIRING KIT	40 - 8	1D19	TUBE, THERMOSTAT HOUSING	25 - 40
1F8	TERMINALS, ELECTRICAL, WEATHERPACK.....	40 - 2	1D11	TUBES, OIL COOLER	25 - 30
1F16	TERMINALS, SUPPLEMENTARY, AND CONNECTORS	40 - 10	1D10	TUBES, OIL COOLER BYPASS	25 - 29
1C11	TEST KIT, COOLANT SCAN.....	25 - 2	1D23	TURBOCHARGER	25 - 44
1D19	THERMOSTAT	25 - 40	1D23	TURBOCHARGER GASKET	25 - 44
1D19	THERMOSTAT COVER.....	25 - 40	1D23	TURBOCHARGER OIL LINES	25 - 44
1D19	THERMOSTAT GASKET	25 - 40	1I1	TURN LIGHTS, REAR	40 - 73
1D19	THERMOSTAT HOUSING, FRONT	25 - 40	2H24	TURN SIGNAL LAMP, REAR ACESS DOOR	80 - 24
3E11	THRESHING ELEMENT REPAIR KIT.....	120 - 16	2H17	TURN SIGNAL LAMPS, REAR WALL	80 - 16
3E13	THRESHING ELEMENTS, SEPARATOR	120 - 18	2J18	TURN SIGNAL SWITCH	90 - 30
1C22	THRUST BEARING	25 - 14	3I23	TWO-SPEED GEARBOX	140 - 20
1C22	THRUST WASHER	25 - 14	3J1	TWO-SPEED GEARBOX HOSES AND FITTINGS	140 - 22
2E17	TIE RODS, STEERING	60 - 22			
1H11	TIGHTENER, ALTERNATOR.....	40 - 58		U	
3K1	TIGHTENER, DRIVE, CLEAN GRAIN ELEVATOR	140 - 48	4F5	UKRAINIAN DECALS AND LABELS.....	170 - 27
3C17	TIGHTENER, DRIVE, FEEDER HOUSE.....	110 - 16	1C20	UNDERSIZE CRANKSHAFT KIT (CONNECTING ROD JOURNAL)	25 - 12
1B21	TIGHTENER, ENGINE FAN	20 - 16	1C21	UNDERSIZE MAIN BEARING CRANKSHAFT AND BEARING KIT	25 - 13
3G14	TIGHTENER, UPPER TAILINGS ELEVATOR	130 - 18	3J3	UNIVERSAL DRIVESHAFTS, PRIMARY COUNTERSHAFT	140 - 24
2G8	TILT CYLINDER (CONTOUR MASTER).....	70 - 37	2F8	UNLOAD MODULE, RELIEF VALVE	70 - 13
2G9	TILT CYLINDER HOSES AND FITTINGS CONTOUR MASTER.....	70 - 38	3K6	UNLOADER DRIVE IDLER ASSEMBLY	140 - 54
1C25	TIMING GEAR COVER	25 - 17	2G19	UNLOADING AUGER BELT TENSIONING CYLINDER HOSES AND FITTINGS	70 - 48
1C25	TIMING GEAR COVER GASKET	25 - 17	3K4	UNLOADING AUGER COUNTERSHAFT DRIVE.....	140 - 52
3E11	TINE REPAIR KIT	120 - 16	3K7	UNLOADING AUGER DRIVE SPROCKET IDLER ASSEMBLY	140 - 55
3E13	TINES, SEPARATOR.....	120 - 18	4C1	UNLOADING AUGER HOUSING, HORIZONTAL (EXPORT) (17 AND 20 FT.)	150 - 20
4E23	TIRE DECALS, FRONT AND REAR.....	170 - 20	4B23	UNLOADING AUGER HOUSING, HORIZONTAL (17 AND 20 FT.)	150 - 18
2I12	TOOL BOX	80 - 38	1H21	UNLOADING AUGER LIGHT	40 - 68
3E3	TOP COVERS, SEPARATOR	120 - 8	1H21	UNLOADING AUGER LIGHT WIRING HARNESS.....	40 - 68
1C10	TORQ-GARD PLUS-50, ENGINE OIL.....	25 - 1			
3I21	TORQUE SENSING, SEPARATOR DRIVE	140 - 18			
4D3	TRACK FRAME MOUNTING (RUBBER TRACK)	160 - 2			
2J11	TRAINING SEAT SEATBELT	90 - 22			

ALPHABETICAL INDEX - CONTINUED

GRID		PAGE	GRID		PAGE
2G21	UNLOADING AUGER SWING CYLINDER	70 - 50	4B19	VERTICAL UNLOADING AUGER, CHARGE HOUSING	150 - 14
4C3	UNLOADING AUGER SWIVEL, HORIZONTAL	150 - 22	2I24	VISOR, SUN, CAB ROOF	90 - 10
3G6	UPPER CLEAN GRAIN LOADING AUGER HOUSING ..	130 - 10	1H9	VOLTAGE REGULATOR, ALTERNATOR (185 AMP) ...	40 - 56
3D11	UPPER COUNTERSHAFT, VARIABLE SPEED FEEDER HOUSE	110 - 34	W		
3D17	UPPER DRIVE SHAFT, FIXED SPEED FEEDER HOUSE	110 - 40	1C22	WASHER, THRUST	25 - 14
3G3	UPPER SHAFT, CLEAN GRAIN ELEVATOR	130 - 6	1G15	WASHER, WINDSHIELD	40 - 38
3D3	UPPER SHAFT, FEEDER HOUSE	110 - 26	1D19	WATER MANIFOLD GASKET	25 - 40
2E11	UPPER STEERING HOSES	60 - 16	1D19	WATER MANIFOLD, FRONT	25 - 40
3G14	UPPER TAILINGS ELEVATOR SHAFT AND SHEAVE ..	130 - 18	1D17	WATER PUMP	25 - 38
3G16	UPPER TAILINGS ELEVATOR SPOUT, AND SHAFT ..	130 - 20	1D17	WATER PUMP GASKET	25 - 38
2D8	UPPER, HYDROSTATIC DRIVE OIL HOSES	50 - 54	1D17	WATER PUMP O-RING	25 - 38
V			1D17	WATER PUMP OIL SEAL	25 - 38
1E25	VACUUM SENSOR, AIR CLEANER	30 - 21	1D17	WATER PUMP RETAINING RING	25 - 38
3B14	VALVE ASSEMBLY, WATER, (AIR CONDITIONING SYSTEM)	95 - 8	1D17	WATER PUMP SEAL KIT	25 - 38
2F13	VALVE MODULE, SIX STACK SOLENOID CONTROL ASSEMBLY & MOUNTINGS	70 - 18	1B15	WATER TEMPERATURE SENSOR	20 - 10
1D2	VALVE SEAT INSERTS	25 - 20	3B14	WATER VALVE ASSEMBLY, (AIR CONDITIONING SYSTEM)	95 - 8
1C11	VALVE STEM LUBRICANT	25 - 2	3D1	WEAR PLATES, FEEDER HOUSE (CONTOUR MASTER)	110 - 24
2D4	VALVE, CONTROL	50 - 50	1F8	WEATHERPACK CONNECTORS	40 - 2
3I7	VALVE, ENGINE GEARCASE OIL FILTER ASSEMBLY	140 - 4	1F8	WEATHERPACK TERMINALS	40 - 2
1E14	VALVE, FUEL CHECK	30 - 10	2B18	WEIGHTS, REAR WHEELS	50 - 10
1E18	VALVE, FUEL TANK	30 - 14	3E13	WEIGHTS, SEPARATOR	120 - 18
2C15	VALVE, HYDROSTATIC DRIVE DISPLACEMENT CONTROL	50 - 34	2F3	WET CLUTCH OIL COOLER LINES AND HOSES	70 - 8
2C19	VALVE, MOTOR, HYDROSTATIC	50 - 39	4D16	WHEEL ASSEMBLY, BOGEY (RUBBER TRACK)	160 - 16
1D12	VALVE, OIL FILTER BYPASS	25 - 32	4D13	WHEEL ASSEMBLY, IDLER (RUBBER TRACK)	160 - 12
1D14	VALVE, OIL PAN DRAIN	25 - 34	4D14	WHEEL AXLES, BOGEY (RUBBER TRACK)	160 - 14
1D11	VALVE, OIL PRESSURE REGULATING	25 - 30	4D23	WHEEL, DRIVE AND BELT (RUBBER TRACK)	160 - 24
1D12	VALVE, OIL PRESSURE REGULATING	25 - 32	1H15	WHEEL, FEEDER HOUSE BACKSHAFT SPEED SENSOR	40 - 62
2G11	VALVE, ONE GALLON ACCUMULATOR	70 - 40	2J18	WHEEL, STEERING	90 - 30
2G12	VALVE, ONE HALF GALLON ACCUMULATOR	70 - 41	3F16	WHEELS, CLEANING FAN ASSEMBLY	125 - 16
2F23	VALVE, REEL DRIVE FLOW CONTROL	70 - 28	2B14	WHEELS, DRIVE	50 - 6
2F9	VALVE, SOLENOID CONTROL MODULE ASSEMBLY AND MOUNTINGS	70 - 14	2B16	WHEELS, DUAL (WIDE-SPACED)	50 - 8
2F11	VALVE, SOLENOID CONTROL MODULE ASSEMBLY AND MOUNTINGS (CONTINUED)	70 - 16	2B15	WHEELS, HIGH FLOTATION DRIVE	50 - 7
2F8	VALVE, SOLENOID CONTROL RELIEF	70 - 13	2B18	WHEELS, REAR	50 - 10
2E9	VALVE, STEERING	60 - 14	2B20	WHEELS, REAR (4-WHEEL DRIVE/CAM LODE MOTOR)	50 - 12
2J16	VALVE, STEERING COLUMN (LOWER)	90 - 28	4B15	WINDOW, GRAIN TANK	150 - 9
2G15	VALVE, STRAW SPREADER	70 - 44	1G15	WINDSHIELD WASHER	40 - 38
2G17	VALVE, STRAW SPREADER CONTROL	70 - 46	1G17	WINDSHIELD WIPER (LONG)	40 - 40
3B19	VALVES, COMPRESSOR R134A	95 - 13	1G17	WIPER ARMS, WINDSHIELD WIPER	40 - 40
1D2	VALVES, EXHAUST	25 - 20	1G17	WIPER, WINDSHIELD (LONG)	40 - 40
1E18	VALVES, FUEL TANK	30 - 14	1F14	WIRING AND TERMINAL KIT	40 - 8
1D2	VALVES, INTAKE	25 - 20	1F14	WIRING CRIMPING TOOL	40 - 8
3E1	VANE, FEED HOUSING ASSEMBLY	120 - 6	1G23	WIRING HARNESS EXTENSION, GROUND SPEED ...	40 - 46
3F17	VANES, CLEANING FAN	125 - 18	2G13	WIRING HARNESS, ACCUMULATOR PRESSURE GAUGE	70 - 42
3H10	VANES, STRAW CHOPPER	135 - 10	1G13	WIRING HARNESS, AIR CONDITIONING	40 - 36
2G7	VARIABLE DRIVE HYDRAULIC HOSE, FEEDER HOUSE	70 - 36	2J7	WIRING HARNESS, AIR SUSPENSION SEAT	90 - 18
3C13	VARIABLE SPEED FEEDER HOUSE DRIVE TIGHTENER	110 - 12	1G9	WIRING HARNESS, ARMREST	40 - 32
3C4	VARIABLE SPEED FEEDER HOUSE DRIVE SHAFT, SHEAVE, AND MOUNTINGS	110 - 2	1F19	WIRING HARNESS, ENGINE	40 - 14
3D11	VARIABLE SPEED FEEDER HOUSE UPPER COUNTERSHAFT, SHEAVES AND SUPPORTS	110 - 34	1H15	WIRING HARNESS, FEEDER HOUSE BACKSHAFT SPEED SENSOR	40 - 62
2F5	VARIABLE SPEED SOLENOID CONTROL VALVE	70 - 10	1G24	WIRING HARNESS, FOLDING CHOPPER	40 - 47
3I19	VARIABLE SPEED, SEPARATOR DRIVE	140 - 16	1G22	WIRING HARNESS, GRAIN TANK	40 - 45
1E18	VENT, FUEL TANK	30 - 14	1I4	WIRING HARNESS, GRAIN TANK FULL BIN SENSOR	40 - 76
4B17	VERTICAL AUGER LOWER GEARCASE	150 - 12	1G20	WIRING HARNESS, HARVESTRAK	40 - 43
			3J7	WIRING HARNESS, HEADER ELECTROMAGNETIC CLUTCH	140 - 28
			2H13	WIRING HARNESS, L.H. GULLWING DOOR SERVICE LIGHT	80 - 12
			1F21	WIRING HARNESS, L.H. MAIN	40 - 17

ALPHABETICAL INDEX - CONTINUED

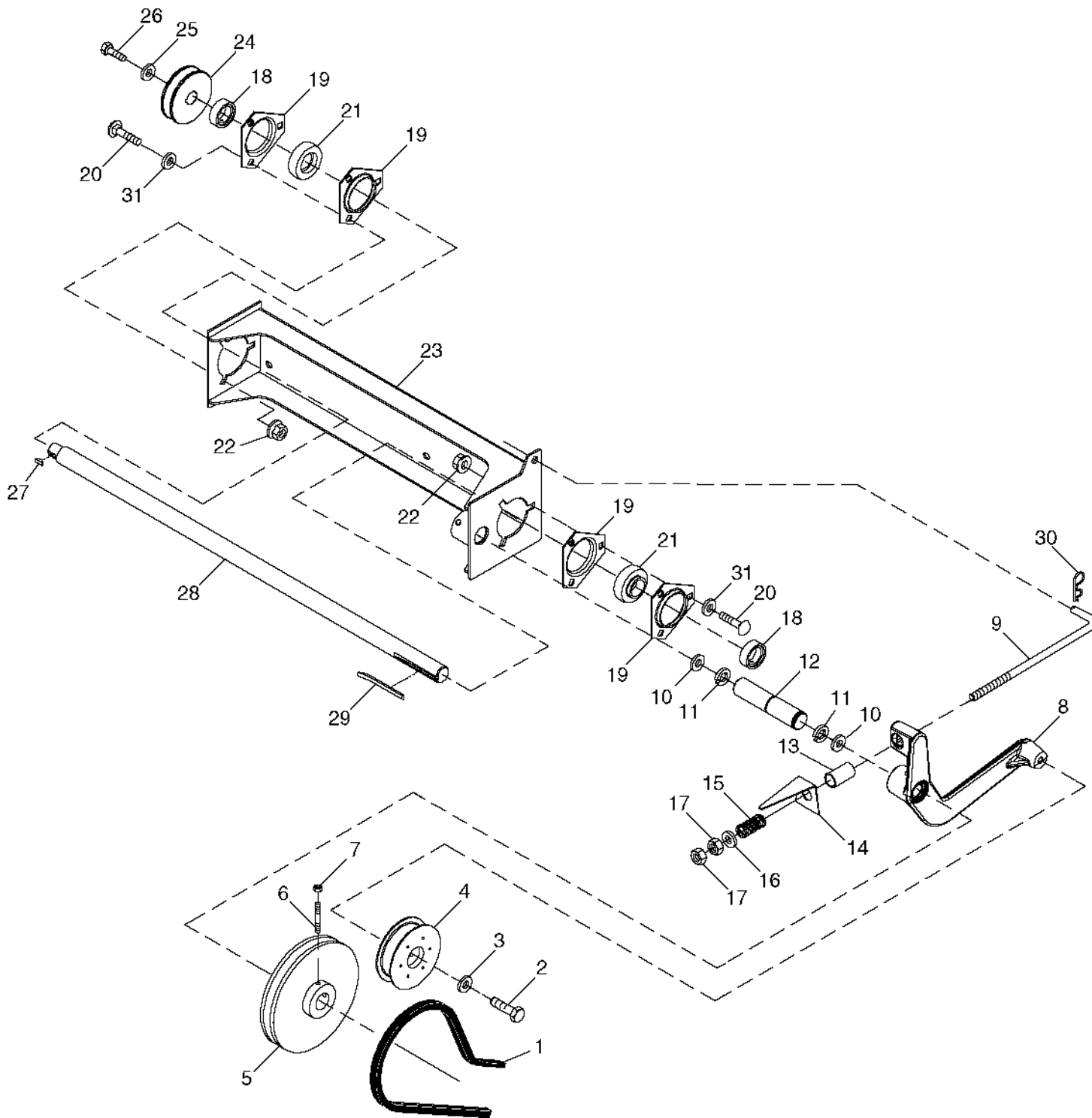
<i>GRID</i>		<i>PAGE</i>	<i>GRID</i>	<i>PAGE</i>
1F22	WIRING HARNESS, L.H. MAIN (CONTINUED)	40 - 18		
1F24	WIRING HARNESS, L.H. MAIN (CONTINUED)	40 - 20		
1G7	WIRING HARNESS, MAIN CAB	40 - 30		
1I6	WIRING HARNESS, MOISTURE SENSOR	40 - 78		
1G1	WIRING HARNESS, R.H. W/O GREENSTAR - REFERENCE	40 - 23		
2J24	WIRING HARNESS, R.H. CORNERPOST DISPLAY PANEL	90 - 36		
2H21	WIRING HARNESS, R.H. GULLWING DOOR SERVICE LIGHT	80 - 20		
1G2	WIRING HARNESS, R.H. MAIN W/O GREENSTAR	40 - 24		
1G5	WIRING HARNESS, R.H. MAIN W/GREENSTAR	40 - 28		
2H17	WIRING HARNESS, REAR WALL SERVICE LIGHT	80 - 16		
3E8	WIRING HARNESS, ROTOR SPEED SENSOR	120 - 13		
1H13	WIRING HARNESS, STARTER.....	40 - 60		
1G11	WIRING HARNESS, STEERING COLUMN	40 - 34		
3H22	WIRING HARNESS, STRAW SPREADER	135 - 22		
1I3	WIRING HARNESS, TRANSPORT WARNING LIGHTS	40 - 75		
1H21	WIRING HARNESS, UNLOADING AUGER LIGHT	40 - 68		
1F14	WIRING STRIPPING TOOL.....	40 - 8		
1F16	WIRING, SUPPLEMENTARY TERMINALS AND CONNECTORS	40 - 10		
Y				
2D23	YOKE, BRAKE PEDALS	60 - 4		
2D1	YOKE, PIVOTS, AND CAPS	50 - 46		
2E15	YOKE, REAR AXLE SPINDLES (HEAVY DUTY).....	60 - 20		
3I23	YOKE, TWO-SPEED GEARBOX.....	140 - 20		
3K7	YOKE, UNLOADING AUGER DRIVE SPROCKET IDLER ASSEMBLY	140 - 55		
2J20	YOKES, FEEDER HOUSE REVERSER FOOT CONTROL	90 - 32		
3J3	YOKES, PRIMARY COUNTERSHAFT UNIVERSAL DRIVESHAFTS	140 - 24		

MEMORANDA

MEMORANDA

1B8

ROTARY SCREEN DRIVE HP9582 -UN-11FEB00



HP9582

1B9

ENGINE ACCESSORIES

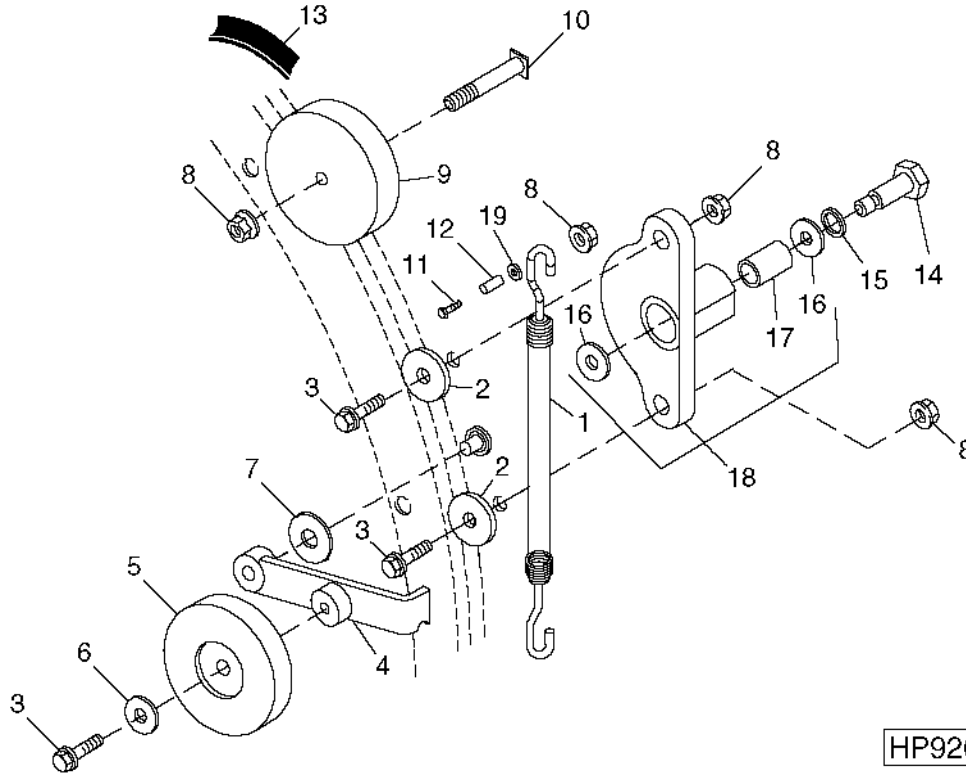
ROTARY SCREEN DRIVE - CONTINUED

KEY	PART NO.	PART NAME	QTY	SERIAL NO.	REMARKS
				9 9	
				6 7	
				5 5	
				0 0	
1	H157104	BELT	1	X X	
2	19M7868	SCREW	1	X X	M8 X 30
3	24M7207	WASHER	1	X X	8.400 X 24 X 2 MM
4	AH140497	SHEAVE	1	X X	
5	AH115639	SHEAVE	1	X X	
6	A50744	BOLT	2	X X	
7	14M7273	NUT	2	X X	M8
8	AH159247	ARM	1	X X	
9	H173969	HOOK BOLT	1	X X	(SUB FOR H166440)
10	24H1448	WASHER	2	X X	26.187 X 38.100 X 3.048 MM
11	40M7259	SNAP RING	2	X X	
12	H166437	PIN	1	X X	
13	H134214	GUIDE	1	X X	
14	H162004	GAUGE	1	X X	
15	H93399	SPRING	1	X X	
16	24M7178	WASHER	1	X X	10.500 X 30 X 2.500 MM
17	14M7274	NUT	2	X X	M10
18	AZ10044	ECCENTRIC LOCKING COLLAR	2	X X	
19	H103264	PRESSED FLANGED HOUSING	4	X X	
20	19M7867	SCREW	6	X X	M8 X 25
21	JD39102	BALL BEARING	2	X X	
22	14M7298	FLANGE NUT	6	X X	M8
23	AH167620	SUPPORT	1	X X	
24	H159224	SHEAVE	1	X X	
25	H158845	WASHER	1	X X	
26	19M7867	SCREW	1	X X	M8 X 25
27	26M7002	SHAFT KEY	1	X X	5 X 16 MM
28	H151146	SHAFT	1	X X	
29	49M4100	SHAFT KEY	1	X X	
30	J16931	SPRING LOCKING PIN	1	X X	
31	24M7207	WASHER	6	X X	8.400 X 24 X 2 MM

1B10

ROTARY SCREEN IDLER ARM AND SHEAVES

HP9269 -UN-12NOV99



HP9269

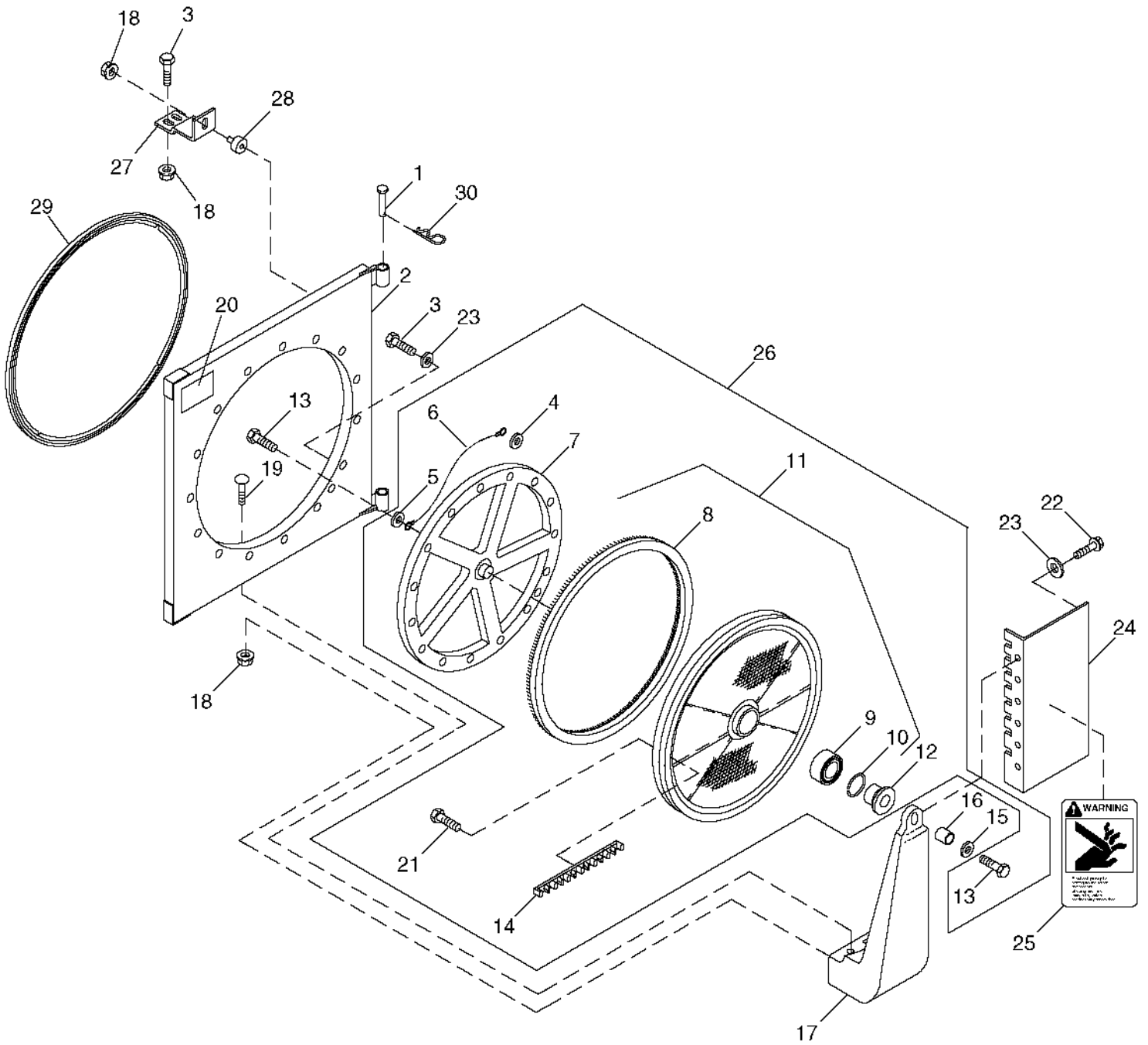
KEY	PART NO.	PART NAME	QTY	SERIAL NO.	REMARKS
				9 9	
				6 7	
				5 5	
				0 0	
1	H164808	SPRING	1	X X	
2	24H1296	WASHER	2	X X	8.738 X 34.925 X 3.404 MM
3	19M7867	SCREW	3	X X	M8 X 25
4	H146064	PITMAN ARM	1	X X	
5	AH140119	SHEAVE	1	X X	
6	24M7207	WASHER	1	X X	8.400 X 24 X 2 MM
7	24H1342	WASHER	1	X X	13.487 X 31.750 X 0.914 MM
8	14M7298	FLANGE NUT	4	X X	M8
9	AH135035	SHEAVE	1	X X	
10	03M7223	BOLT	1	X X	
11	H140715	BOLT	1	X X	
12	H140461	BUSHING	1	X X	
13	H157105	BELT	1	X X	
14	M111701	BOLT	1	X X	
15	24H1341	WASHER	1	X X	17/32" X 15/16" X 0.060"
16	AH10888	SEAL	1	X X	
17	R36119	BUSHING	1	X X	
18	AH140170	SUPPORT	1	X X	
19	H158845	WASHER	1	X X	

MEMORANDA

1B11

ROTARY SCREEN DOOR AND SCREEN

HP8397 -UN-29JUL99



HP8397



1B12

ENGINE ACCESSORIES

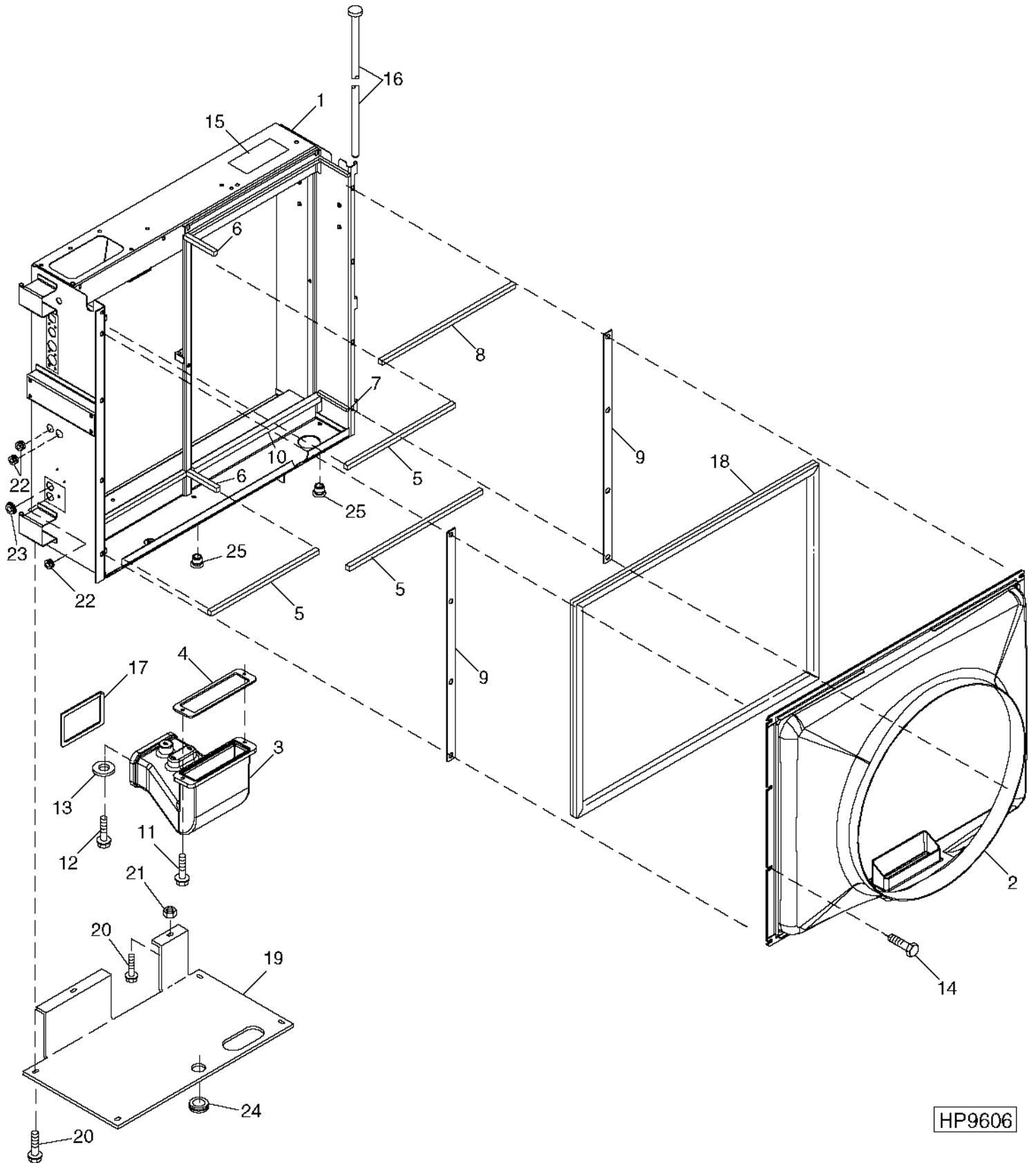
ROTARY SCREEN DOOR AND SCREEN - CONTINUED

KEY	PART NO.	PART NAME	QTY	SERIAL NO.	REMARKS
				9 9	
				6 7	
				5 5	
				0 0	
1	H172337	PIN	2	X X	
2	AH145374	DOOR	1	X X	
3	19M7865	SCREW	17	X X	M8 X 16
4	12M7122	LOCK WASHER	1	X X	8.400 MM
5	24M7028	WASHER	1	X X	10.500 X 20 X 2 MM
6	AH149562	WIRING HARNESS	1	X X	
7	AH149375	HUB	1	X X	
8	AH149561	BRUSH	1	X X	
9	AH109788	ROLLER BEARING	1	X X	
10	H83285	SNAP RING	1	X X	
11	AH149322	SCREEN	1	X X	
12	H140380	HUB	1	X X	
13	19M8162	CAP SCREW	1	X X	M10 X 40
14	AH149560	RAKE	2	X X	
15	24M7180	WASHER	1	X X	13 X 37 X 3 MM
16	28H1720	BUSHING	1	X X	0.423" X 0.675" X 27/32"
17	AH149323	AIR DUCT	1	X X	
18	14M7298	FLANGE NUT	4	X X	M8
19	03M7183	BOLT	2	X X	M8 X 16
20	H144692	LABEL	1	X X	ROTARY SCREEN DRIVE
21	37H143	SCREW	18	X X	
22	19M7774	SCREW	6	X X	M6 X 12
23	24M7207	WASHER	7	X X	8.400 X 24 X 2 MM
24	H157284	KNIFE	1	X X	
25	H149088	DECAL	1	X X	WARNING "AVOID BODILY INJURY..."
26	AH149386	SCREEN	1	X X	
27	H172914	ANGLE	1	X X	
28	AH154566	BUMPER	1	X X	
29	AH160269	ISOLATOR	1	X X	
30	J16931	SPRING LOCKING PIN	2	X X	

1B13

RADIATOR FRAME AND SEALS

HP9606 -UN-08MAR00



HP9606

1B14

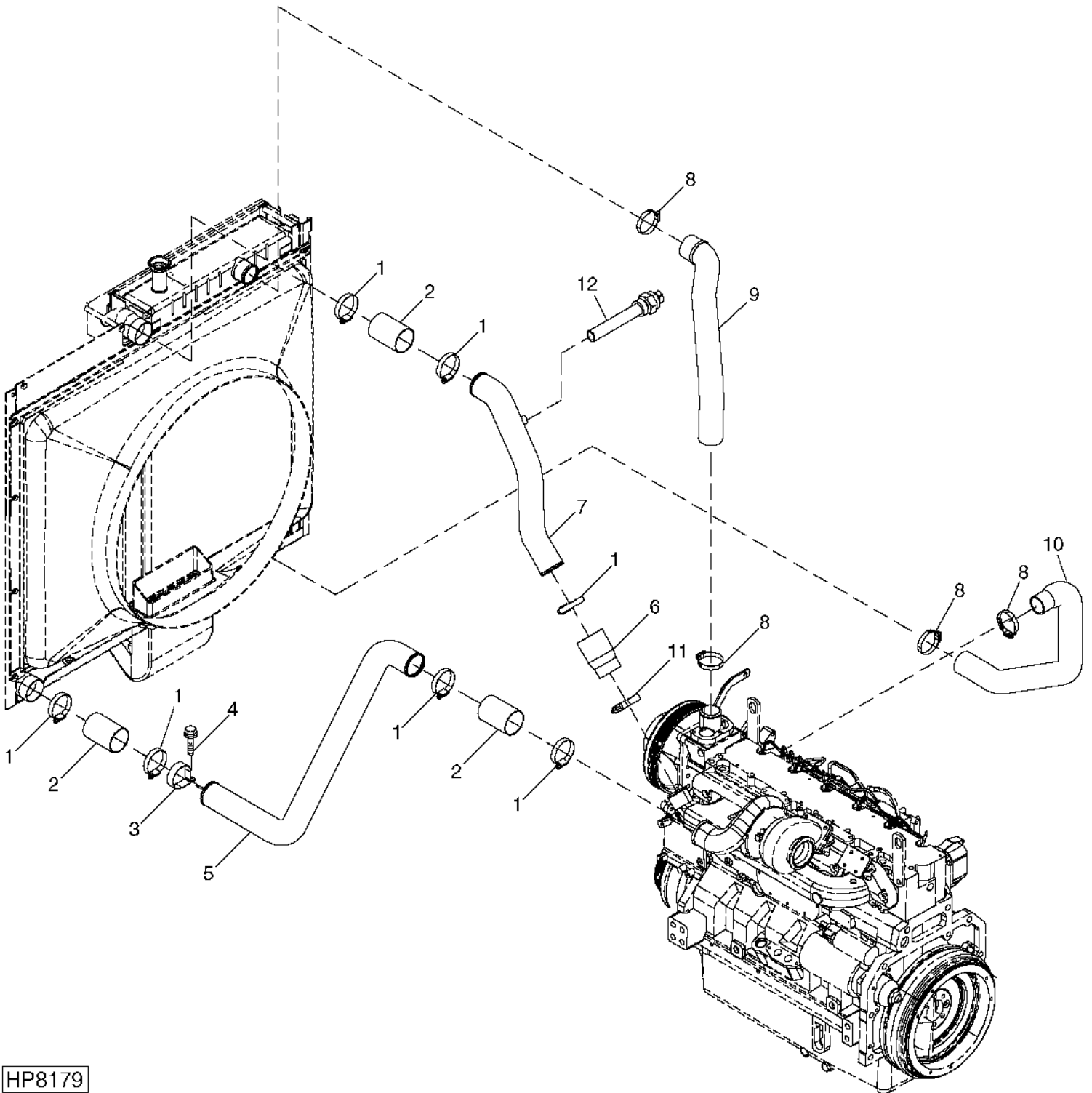
ENGINE ACCESSORIES

RADIATOR FRAME AND SEALS - CONTINUED

KEY	PART NO.	PART NAME	QTY	SERIAL NO.	REMARKS
				9 9	
				6 7	
				5 5	
				0 0	
1	AH145364	FRAME	1	X X	
2	AH149716	SHROUD	1	X X	
3	AH154313	AIR DUCT	1	X X	
4	SEAL	1	X X	(A)
5	SEAL	1	X X	(A)
6	SEAL	1	X X	(A)
7	SEAL	1	X X	(A)
8	SEAL	1	X X	(A)
9	SEAL	1	X X	(A)
10	SEAL	1	X X	(A)
11	19M7897	SCREW	2	X X	M8 X 35
12	19M7865	SCREW	3	X X	M8 X 16
13	24M7207	WASHER	3	X X	8.400 X 24 X 2 MM
14	19M7867	SCREW	8	X X	M8 X 25
15	H169344	DECAL	1	X X	
16	H159721	PIN	1	X X	
17	AH131965	ISOLATOR	1	X X	
18	AH160268	SEAL	1	X X	
19	H170125	DUST SHIELD	1	X X	
20	19M7866	SCREW	6	X X	M8 X 20
21	14M7298	FLANGE NUT	2	X X	M8
22	R71351	GROMMET	3	X X	
23	R66718	GROMMET	1	X X	
24	AT202389	GROMMET	1	X X	
25	H113924	PLUG	2	X X	
..	AH163520	KIT	1	X X	INCLUDES PARTS MARKED (A)

1B15

RADIATOR HOSES
HP8179 -UN-29JUL99



HP8179

1B16

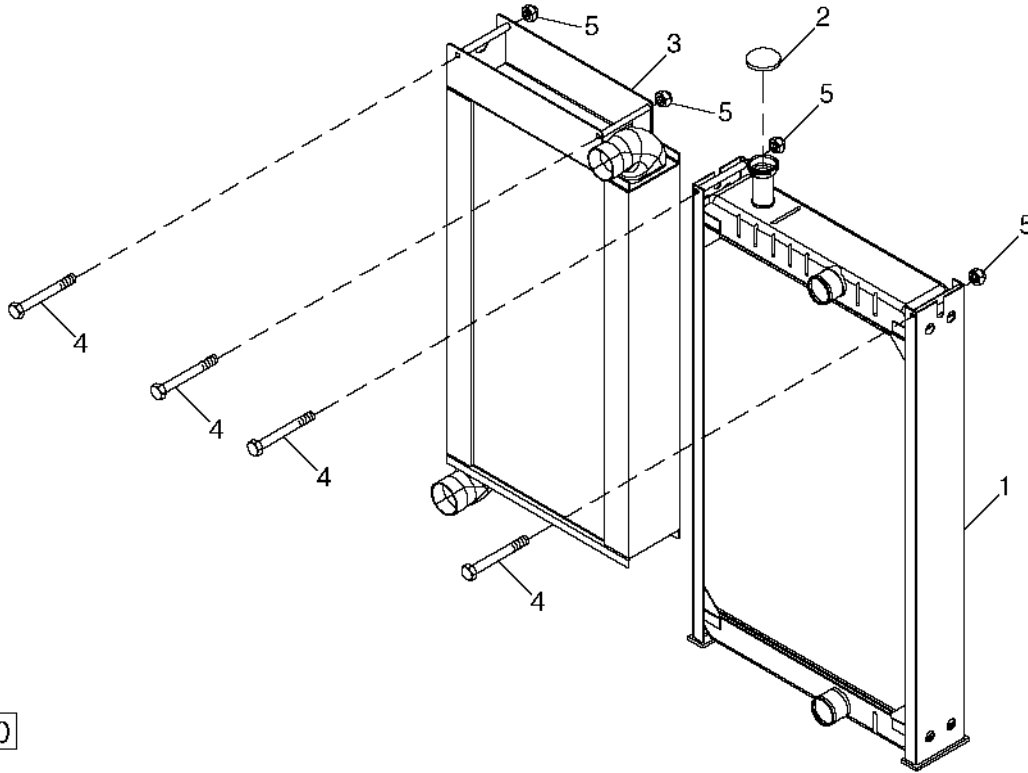
ENGINE ACCESSORIES

RADIATOR HOSES - CONTINUED

KEY	PART NO.	PART NAME	QTY	SERIAL NO.	REMARKS
				9 9	
				6 7	
				5 5	
				0 0	
1	RE52702	CLAMP	7		
2	H168359	HOSE	3		
3	H123297	CLAMP	1		
4	19M7866	SCREW	1		M8 X 20
5	H157046	LINE	1		
6	H152403	HOSE	1		
7	AH149629	TUBE	1		
8	AR21999	HOSE CLAMP	4		
9	AH147658	RADIATOR HOSE	1		
10	AH147659	RADIATOR HOSE	1	-091442	LOWER (2" WATER PUMP INLET)
	AH163519	RADIATOR HOSE	1	091443-	LOWER (2.5" WATER PUMP INLET)
11	AT39141	HOSE CLAMP	1		
12	AH156144	COOLANT TEMPERATURE SENSOR	1		

1B17

RADIATOR AND CHARGE AIR COOLER
 HP9270 -UN-15NOV99



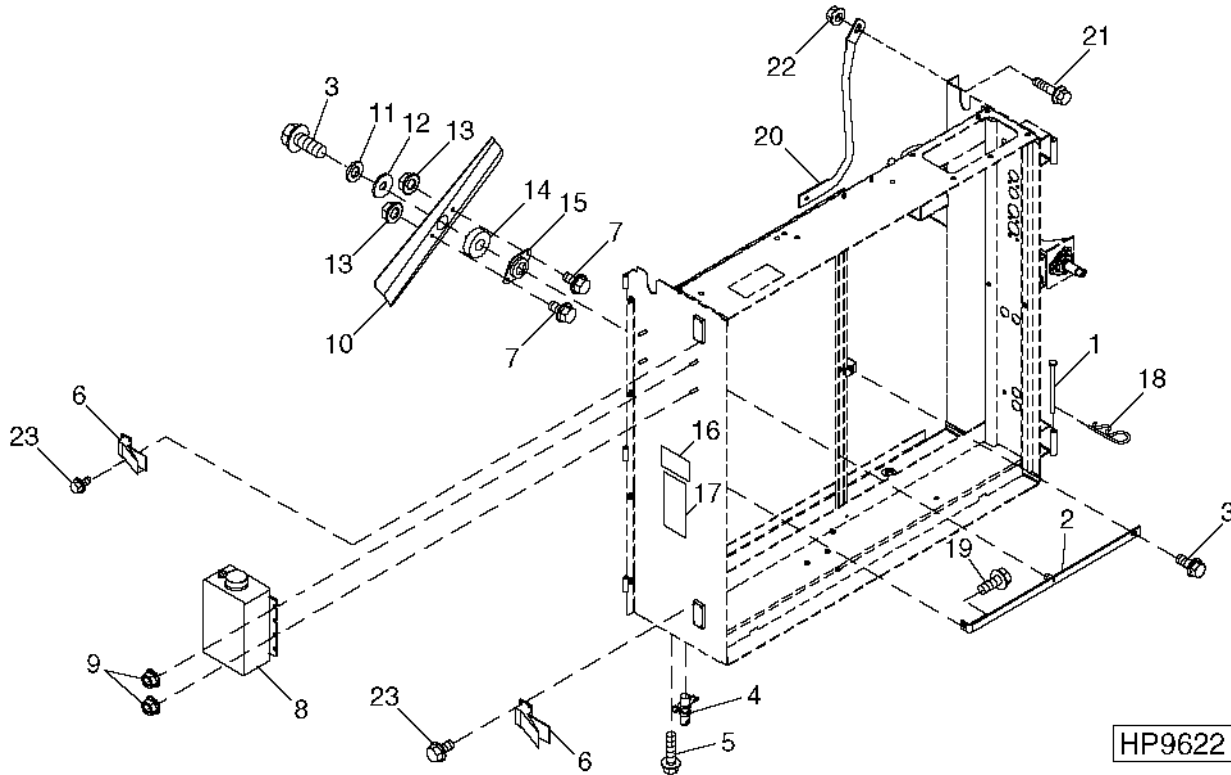
HP9270

9 9
 6 7
 5 5
 0 0

KEY	PART NO.	PART NAME	QTY	SERIAL NO.	REMARKS
1	AH145366	RADIATOR	1	X X	
2	AH148649	FILLER CAP	1	X X	
3	AH145389	AIR COOLER	1	X X	
4	19M8198	CAP SCREW	4	X X	M10 X 175
5	H135891	LOCK NUT	4	X X	

1B18

RADIATOR PROPELLER, SUPPORTS AND TANK
 HP9622 -UN-24MAR00

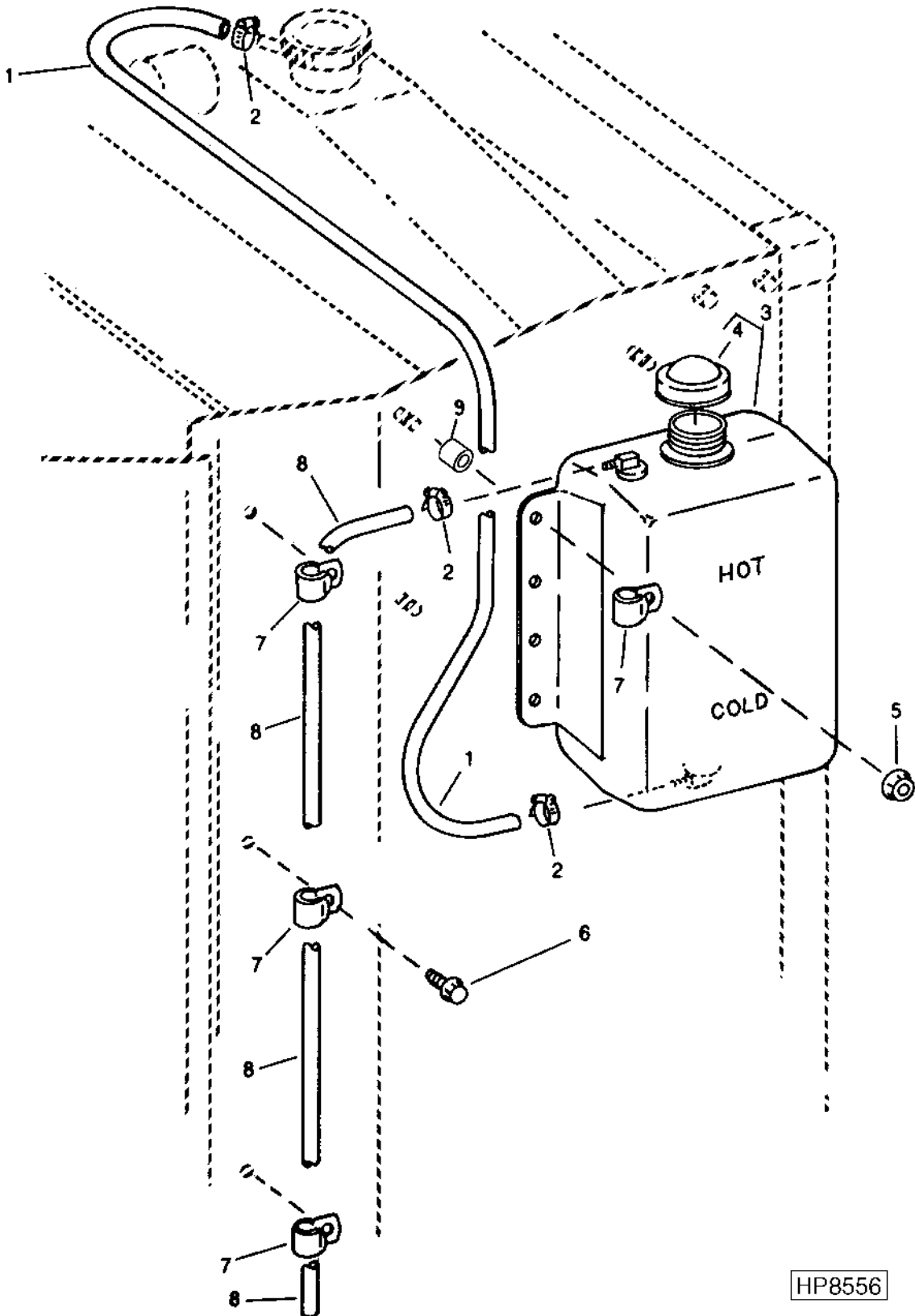


9 9
 6 7
 5 5
 0 0

KEY	PART NO.	PART NAME	QTY	SERIAL NO.	REMARKS
1	H172337	PIN	2	X X	
2	AH159255	SUPPORT	1	X X	
3	19M7866	SCREW	2	X X	M8 X 20
4	AT13740	DRAIN VALVE	1	X X	
5	19M8162	CAP SCREW	1	X X	M10 X 40
6	AH87272	LATCH	2	X X	
7	19M7774	SCREW	2	X X	M6 X 12
8	AT162597	TANK	1	X X	
9	14M7298	FLANGE NUT	8	X X	M8
10	H170713	BLADE	1	X X	
11	12M7065	LOCK WASHER	1	X X	8.100 MM
12	24M7207	WASHER	1	X X	8.400 X 24 X 2 MM
13	14M7303	FLANGE NUT	2	X X	M6
14	JD8535	BALL BEARING	1	X X	
15	Z33854	PRESSED FLANGED HOUSING	1	X X	
16	H137201	DECAL	1	X X	IMPORTANT
17	H149088	DECAL	1	X X	WARNING "AVOID BODILY INJURY..."
18	J16931	SPRING LOCKING PIN	2	X X	
19	19M7865	SCREW	1	X X	M8 X 16
20	H154154	BRACE	1	X X	
21	19M7784	SCREW	1	X X	M10 X 20
22	14M7296	FLANGE NUT	1	X X	M10
23	37H91	SCREW	8	X X	0.190" X 1/2"

1B19

COOLANT RECOVERY TANK
HP8556 -UN-07MAY99



HP8556

1B20

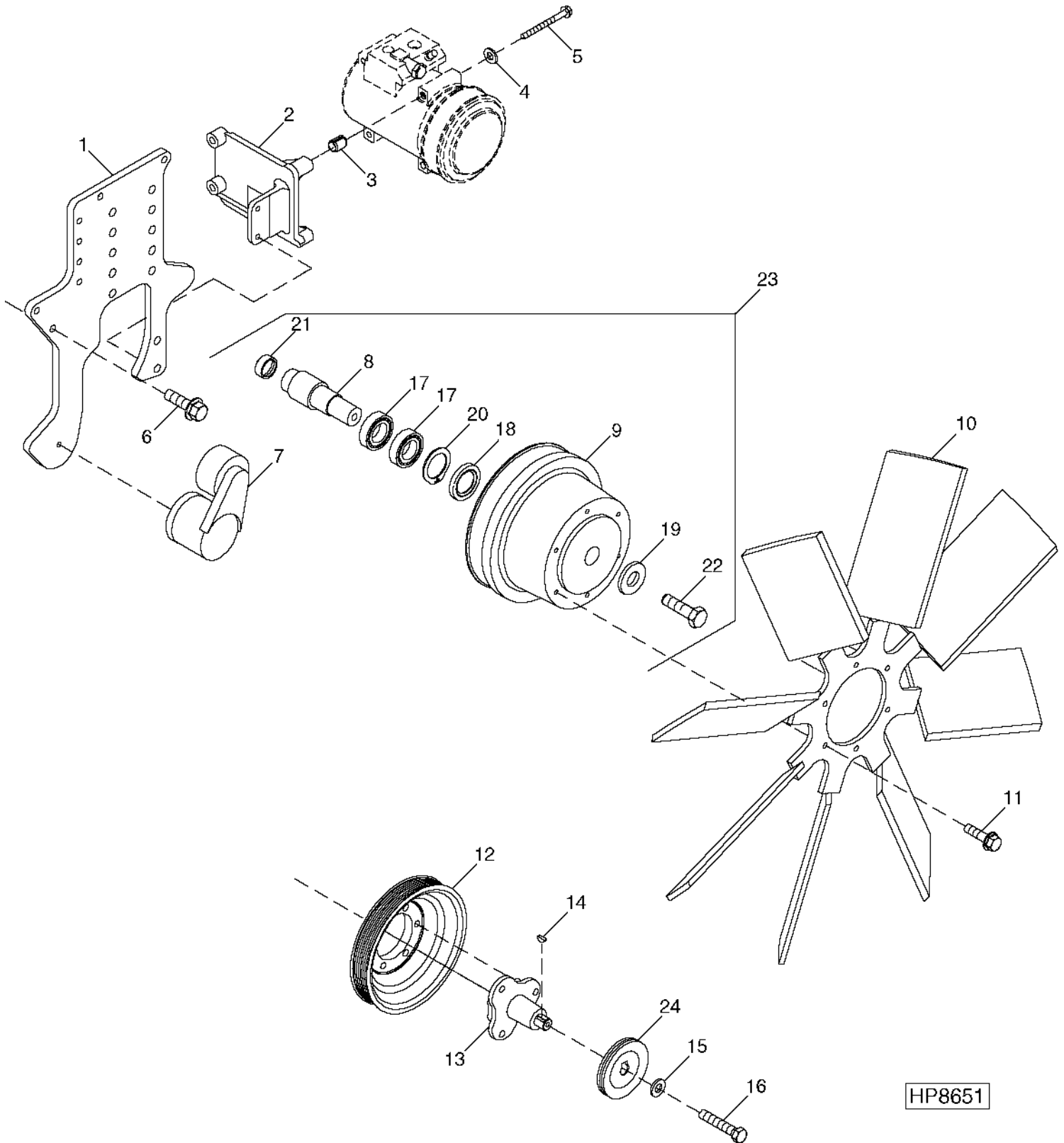
ENGINE ACCESSORIES

COOLANT RECOVERY TANK - CONTINUED

KEY	PART NO.	PART NAME	QTY	SERIAL NO.	REMARKS
				9 9	
				6 7	
				5 5	
				0 0	
1	TY22566	HOSE	1	X X	CUT TO LENGTH
2	AR48236	CLAMP	3	X X	
3	AT162597	TANK	1	X X	
4	AT106413	CAP	1	X X	
5	14M7298	FLANGE NUT	4	X X	M8
6	19M7865	SCREW	3	X X	M8 X 16
7	AH89557	CLIP	4	X X	
8	TY22566	HOSE	1	X X	CUT TO LENGTH
9	M78494	SPACER	4	X X	

1B21

ENGINE FAN AND DRIVES
HP8651 -UN-27JUL99



HP8651

1B22

ENGINE ACCESSORIES

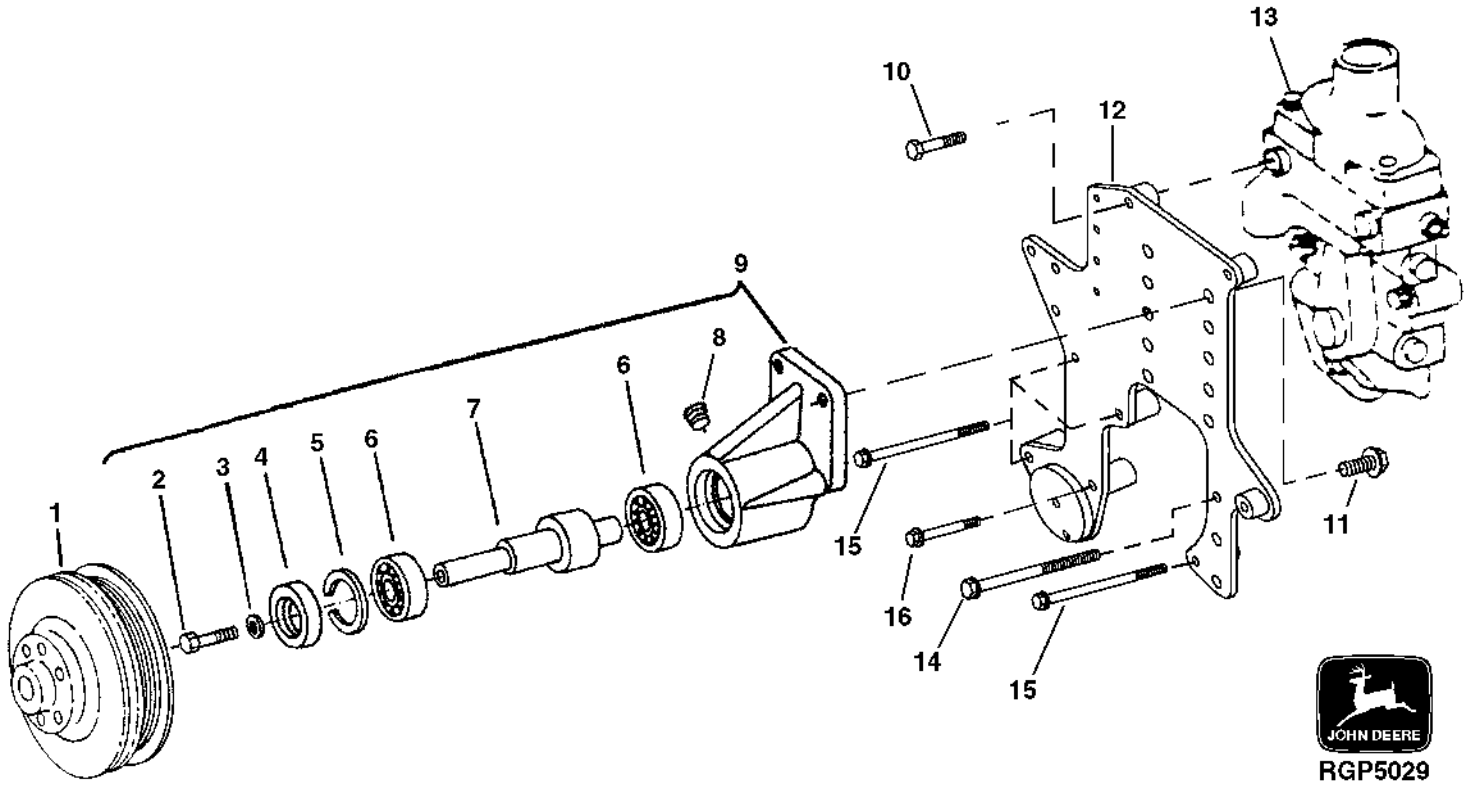
ENGINE FAN AND DRIVES - CONTINUED

KEY	PART NO.	PART NAME	QTY	SERIAL NO.	REMARKS
				9 9	
				6 7	
				5 5	
				0 0	
1	R129875	PLATE	1	X X	
2	R134525	SUPPORT	1	X X	
3	34M7189	SPRING PIN	1	X X	11 X 8 MM
4	24M7238	WASHER	3	X X	8.700 X 17 X 2 MM
5	19M7913	SCREW	3	X X	M8 X 90
6	19M7791	SCREW	1	X X	M12 X 40
7	RE70535	TIGHTENER	1	X X	
8	R63987	SHAFT	1	X X	
9	R501666	PULLEY	1	X X	
10	AH125673	SUCTION FAN	1	X X	
11	19M7868	SCREW	1	X X	M8 X 30
12	R135175	PULLEY	1	X X	
13	H165016	HUB	1	X X	
14	26M7002	SHAFT KEY	1	X X	5 X 16 MM
15	24M7239	WASHER	3	X X	10.700 X 21 X 2.500 MM
16	19H3065	CAP SCREW	3	X X	9.525 X 50.800 MM
17	JD10329	BALL BEARING	2	X X	
18	RE20768	SEAL	1	X X	
19	R35256	WASHER	1	X X	
20	R62191	SNAP RING	AR	X X	
	R62192	SNAP RING	AR	X X	
	R62193	SNAP RING	AR	X X	
	R62194	SNAP RING	AR	X X	
21	15H686	PIPE PLUG	1	X X	25.400 MM
22	19H2473	CAP SCREW	1	X X	12.700 X 44.450 MM
23	RE503270	HOUSING	1	X X	
24	H159224	SHEAVE	1	X X	

1B23

ADJUSTABLE FAN DRIVE PULLEY

RGP5029 -UN-06MAY98



1B24

ENGINE ACCESSORIES

ADJUSTABLE FAN DRIVE PULLEY - CONTINUED

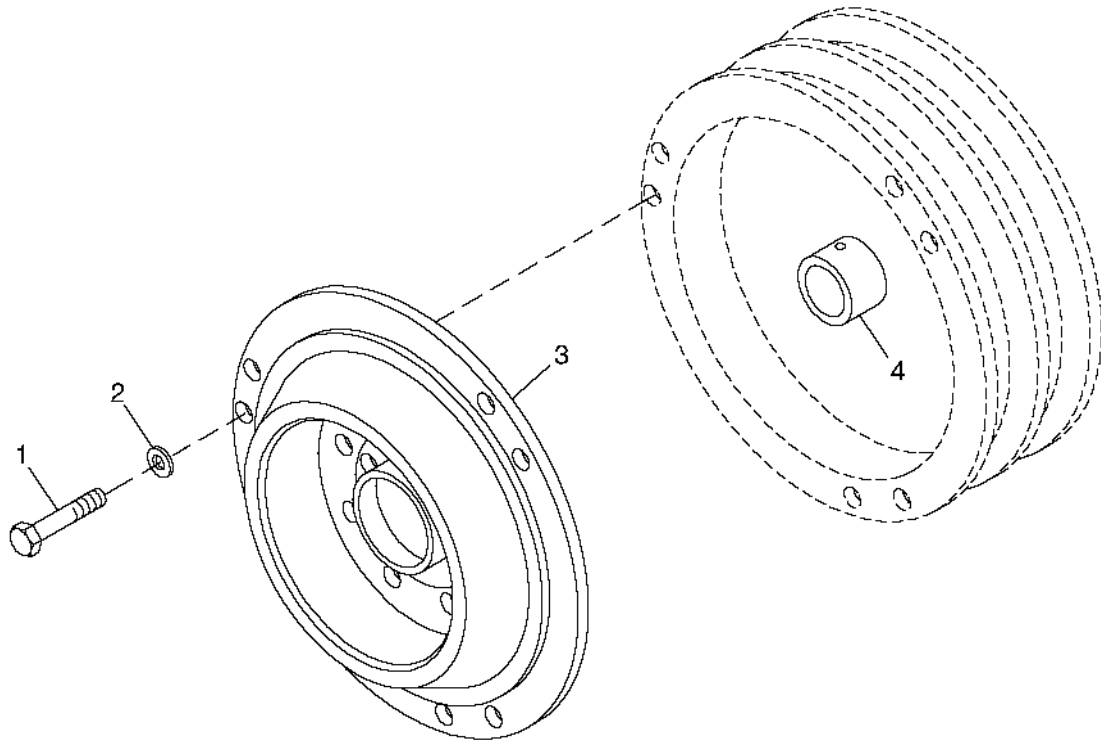
KEY	PART NO.	PART NAME	QTY	ENGINE SERIAL NO.		REMARKS
				9 9	6 7	
				5 5	0 0	
1	R501666	PULLEY	1	X X		
2	19H2473	CAP SCREW	4	X X		1/2" X 1-3/4"
3	R35256	WASHER	1	X X		
4	RE20768	SEAL	1	X X		
5	R62191	SNAP RING	2	X X		
	R62192	SNAP RING	AR	X X		
	R62193	SNAP RING	AR	X X		
	R62194	SNAP RING	AR	X X		
6	JD10329	BALL BEARING	2	X X		
7	R63987	SHAFT	1	X X		
8	15H686	PIPE PLUG	1	X X		
9	RE503270	HOUSING	1	X X		(MARKED R127397)
10	19H3772	CAP SCREW	2	X X		3/8" X 1-3/4"
11	T55636	BOLT	4	X X		
12	R129875	PLATE	1	X X		
13	MANIFOLD	1	X X		
14	19H3711	CAP SCREW	1	X X		3/8" X 5-1/2"
15	R135737	CAP SCREW	4	X X		
16	R112273	CAP SCREW	1	X X		
..	N102039	CAP	1	X X		(THERMOSTAT HOUSING FAN DRIVE HOLE)

1B25

ENGINE ACCESSORIES

ENGINE GEARCASE COUPLING WITH HUB

HP8168 -UN-05MAR99



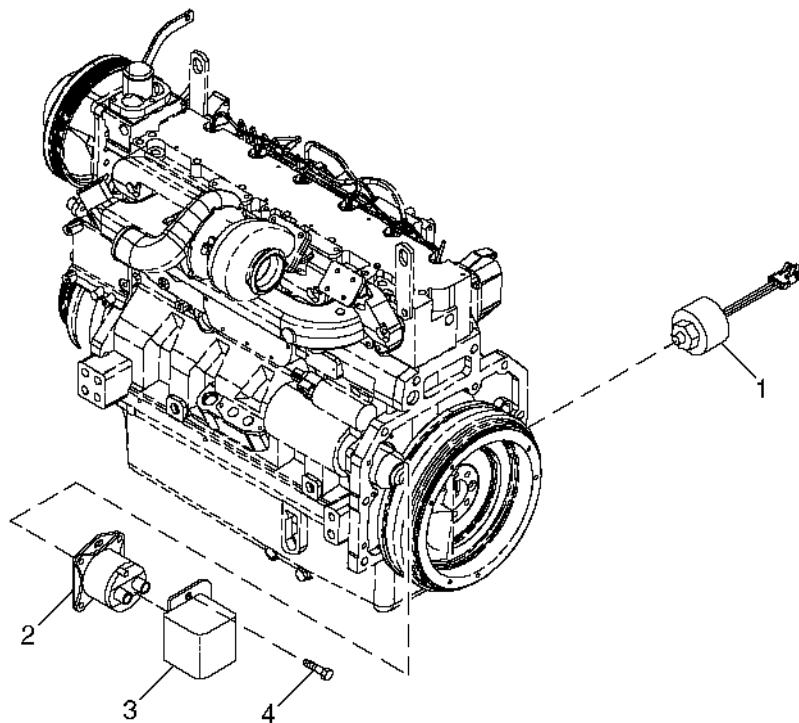
HP8168

KEY	PART NO.	PART NAME	QTY	SERIAL NO.	REMARKS
				9 9	
				6 7	
				5 5	
				0 0	
1	R57725	SCREW	6	X X	
2	R42729	WASHER	6	X X	
3	AH168456	COUPLING	1	X X	(SUB FOR AH155217)
4	JD7147	BALL BEARING	1	X X	

1C1

START RELAY AND OIL PRESSURE SENSOR

HP8423 -UN-04JUN99



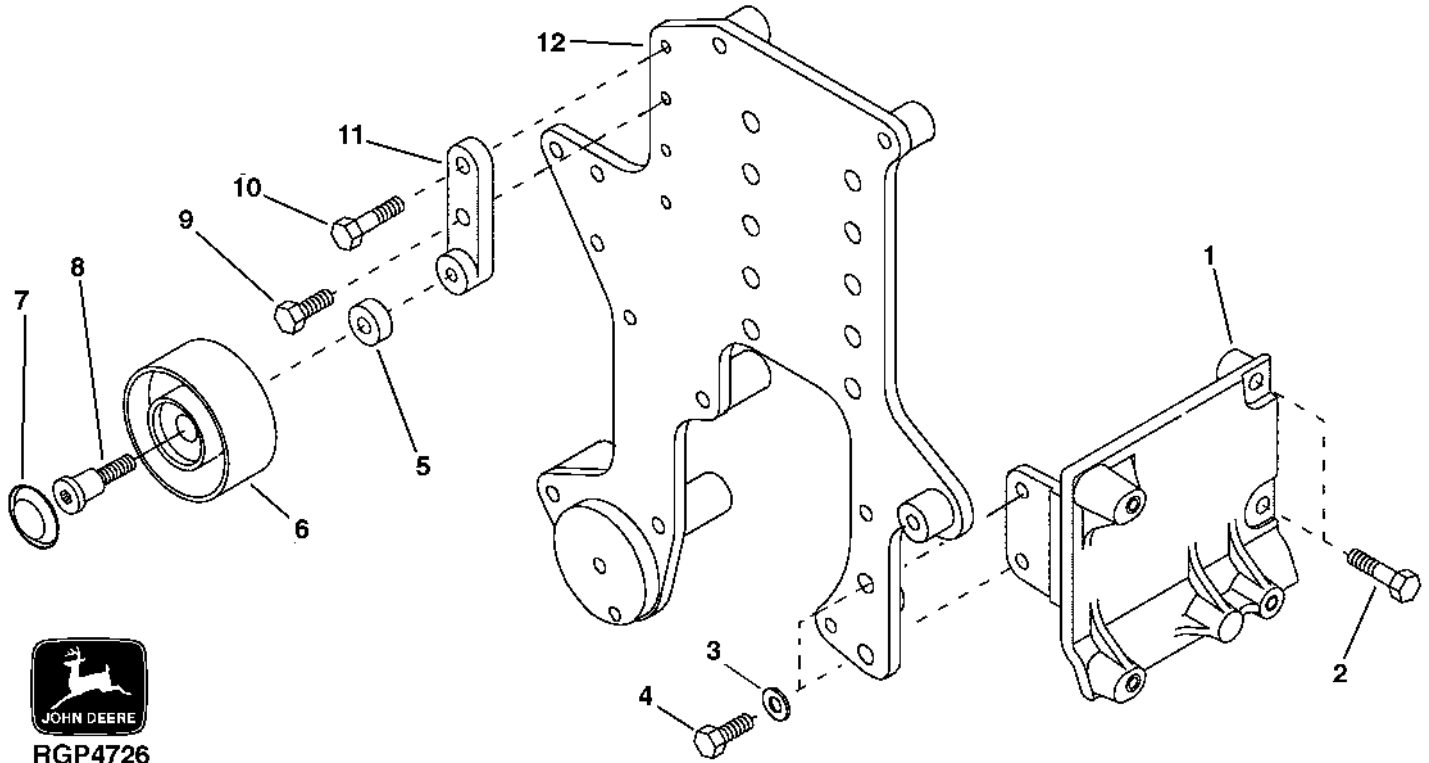
HP8423

9 9
6 7
5 5
0 0

KEY	PART NO.	PART NAME	QTY	SERIAL NO.	REMARKS
1	AH133896	SWITCH	1	X X	OIL PRESSURE
2	AH160279	RELAY	1	X X	
3	R113164	COVER	1	X X	
4	37H147	SCREW	2	X X	

1C2

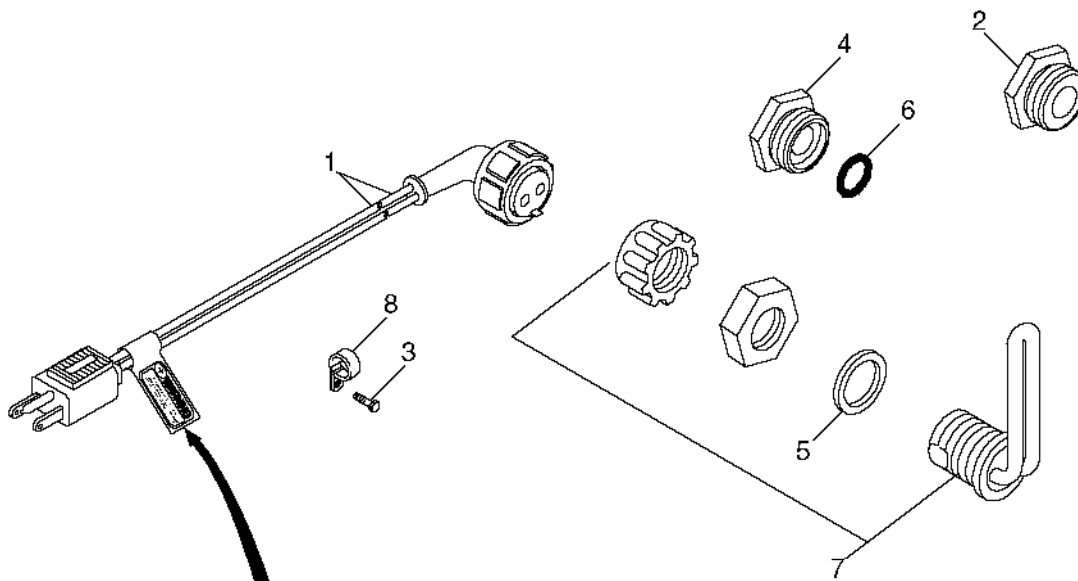
AIR CONDITIONER COMPRESSOR BRACKETS
RGP4726 -UN-26NOV97



KEY	PART NO.	PART NAME	QTY	ENGINE SERIAL NO.		REMARKS
				9	6	
1	R134525	SUPPORT	1	X	X	
2	19H3772	CAP SCREW	2	X	X	3/8" X 1-3/4"
3	24H1305	WASHER	2	X	X	
4	19H3771	CAP SCREW	2	X	X	3/8" X 1"
5	R128892	SPACER	1	X	X	
6	RE155577	PULLEY	1	X	X	
7	R99590	COVER	1	X	X	
8	R128893	BOLT	1	X	X	
9	19H3771	CAP SCREW	1	X	X	3/8" X 1"
10	19H3771	CAP SCREW	1	X	X	3/8" X 1"
11	R127808	SUPPORT	1	X	X	
12	R129875	PLATE	1	X	X	

MEMORANDA

ENGINE BLOCK COOLANT HEATER AND EXT. CORD
HP8293 -UN-17AUG99



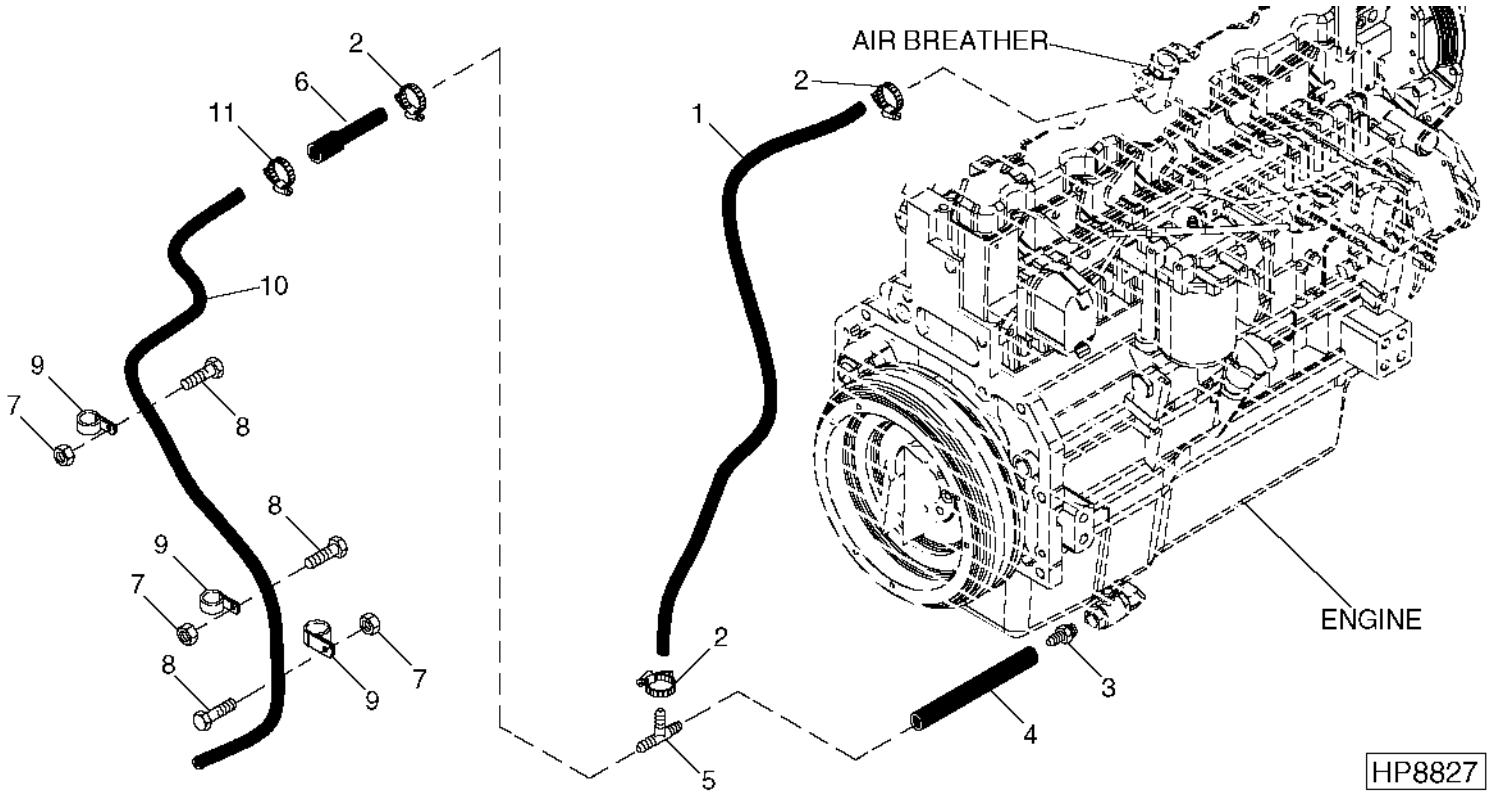
⚠ WARNING
To prevent shock,
always use a grounded
3-wire extension cord

HP8293

ENGINE BLOCK COOLANT HEATER AND EXT. CORD - CONTINUED

KEY	PART NO.	PART NAME	QTY	SERIAL NO.	REMARKS
				9 9	
				6 7	
				5 5	
				0 0	
1	AT73296	POWER CORD	1	X X	12', 110 VOLT
	AH151458	POWER CORD	1	X X	4', 220 VOLT
2	R39741	DRAIN PLUG	1	X X	USE WITHOUT COOLANT HEATER
3	37M7083	SCREW	1	X X	M8 X 12
4	R54123	ADAPTER	1	X X	
5	R47693	GASKET	1	X X	
6	U13639	O-RING	1	X X	37.465 X 2.997 MM
7	RE504122	COOLANT HEATER	1	X X	110 VOLT
	RE504121	HEATER	1	X X	240 VOLT
8	H75541	CLAMP	1	X X	

ENGINE CRANKCASE OIL DRAIN
HP8827 -UN-27JUL99



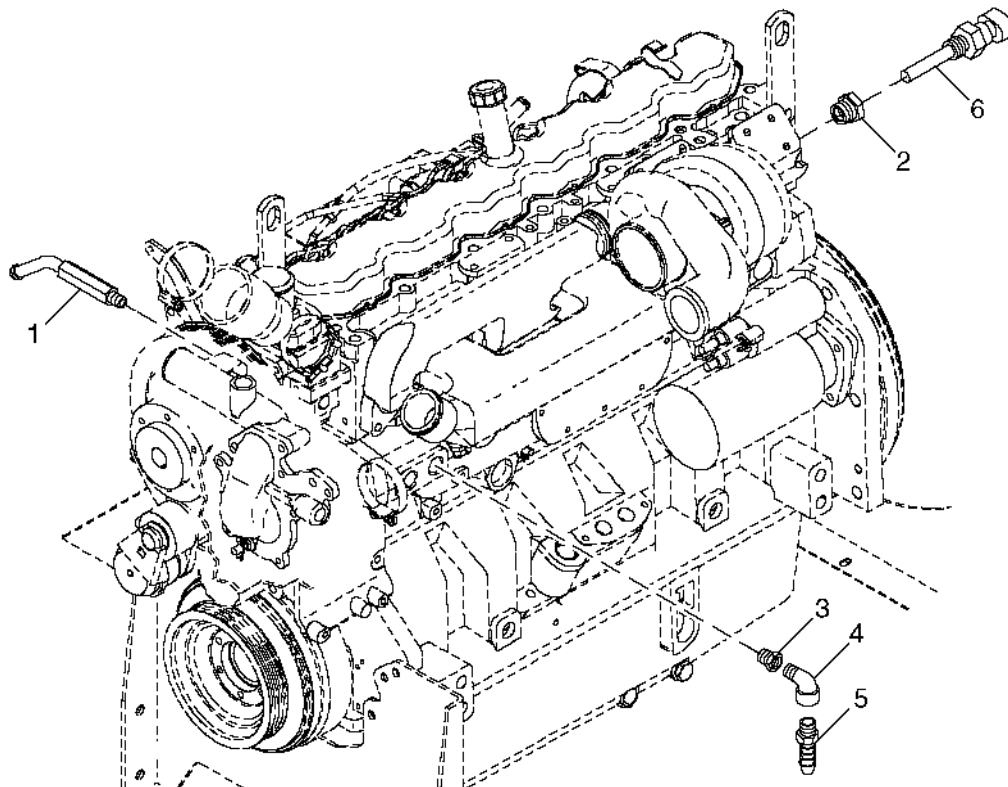
HP8827

KEY	PART NO.	PART NAME	QTY	SERIAL NO.	REMARKS
				9 9	
				6 7	
				5 5	
				0 0	
1	H170433	HOSE	1	X X	
2	AT18904	CLAMP	5	X X	
3	A27238	HOSE FITTING	1	X X	
4	TY22424	HOSE	1	X X	
5	A24915	TEE FITTING	1	X X	
6	H170158	HOSE	1	X X	
7	14M7298	FLANGE NUT	3	X X	M8
8	19M7867	SCREW	3	X X	M8 X 25
9	R46667	CLAMP	3	X X	
10	H170559	OIL TUBE	1	X X	
11	AR21839	CLAMP	1	X X	

1C6

ENGINE HEATER HOSE CONNECTORS

HP9200 -UN-20OCT99



HP9200

9 9
6 7
5 5
0 0

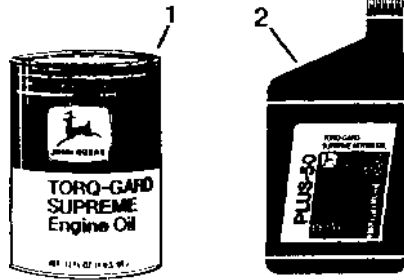
KEY	PART NO.	PART NAME	QTY	SERIAL NO.	REMARKS
1	H164854	ADAPTER	1	X X	
2	H163652	FITTING	1	X X	
3	15H515	PIPE BUSHING	1	X X	
4	15H200	ELBOW FITTING	1	X X	
5	H23196	FITTING	1	X X	
6	AH156145	SENSOR	1	X X	TEMPERATURE

MEMORANDA

1C10

ENGINE

TORQ-GARD SUPREME AND PLUS-50 ENGINE OIL
RGP3291 -UN-01JAN94



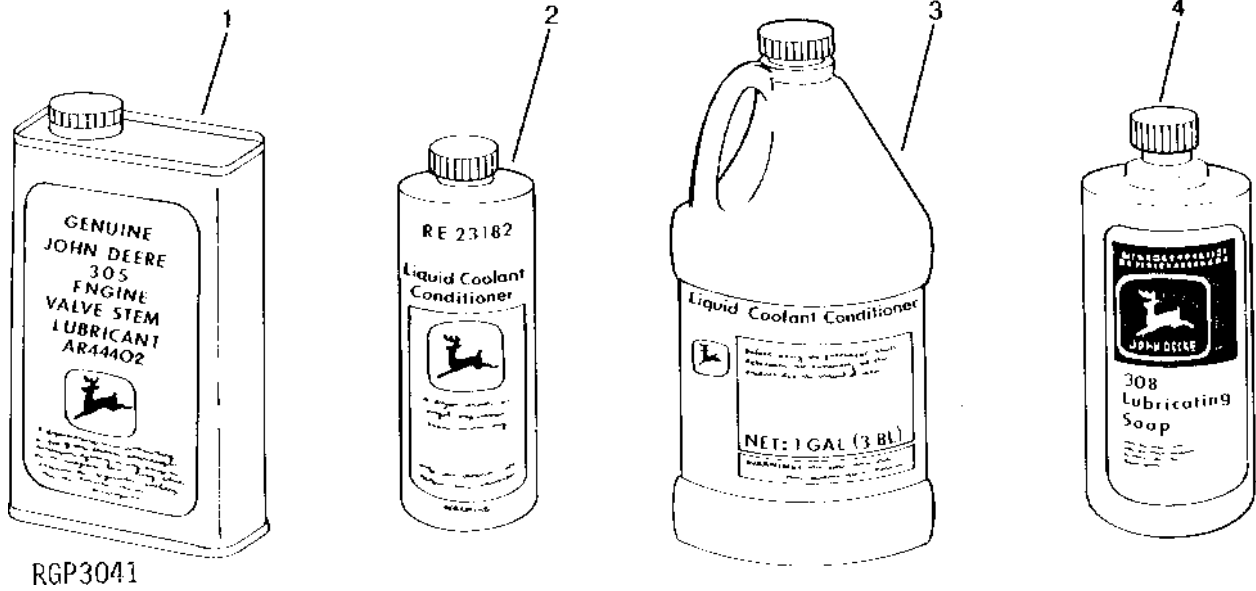
RGP 3291

KEY	PART NO.	PART NAME	QTY	ENGINE SERIAL NO.	REMARKS
				9 9	
				6 7	
				5 5	
				0 0	
1	TY22064	OIL	1	X X	(SAE 5W/30), 0.9L (1 QT)
	TY22065	OIL	1	X X	(SAE 5W/30), 19L (5 GAL)
	TY22066	OIL	1	X X	(SAE 5W/30), 208L (55 GAL)
	TY6364	OIL	1	X X	(SAE 10W/30), 0.9L (1 QT) (BREAKIN)
	TY22067	OIL	1	X X	(SAE 10W), .9L (1 GAL)
	TY22068	OIL	1	X X	(SAE 10W), 19L (5 GAL)
	TY22069	OIL	1	X X	(SAE 10W), 208L (55 GAL)
	TY22070	OIL	1	X X	(SAE 30W), 0.9L (1 GAL)
	TY22073	OIL	1	X X	(SAE 30W), 19L (5 GAL)
	TY6280	OIL	1	X X	(SAE 30W), 114L (30 GAL)
	TY22074	OIL	1	X X	(SAE 30W), 208L (55 GAL)
2	TY6389	OIL	1	X X	(SAE 15W/40), 0.9 L (1 QT)
	TY22008	OIL	1	X X	(SAE 15W/40), 3.8 L (1 GAL)
	TY6390	OIL	1	X X	(SAE 15W/40), 19 L (5 GAL)
	TY22010	OIL	1	X X	(SAE 15W/40), 113.6 L (30 GAL)
	TY6391	OIL	1	X X	(SAE 15W/40), 208 L (55 GAL)
	TY6392	OIL	1	X X	(SAE 30W), 0.9 L (1 QT)
	TY22007	OIL	1	X X	(SAE 30W), 3.8 L (1 GAL)
	TY6393	OIL	1	X X	(SAE 30W), 19 L (5 GAL)
	TY22011	OIL	1	X X	(SAE 30W), 113.6 L (30 GAL)
	TY6394	OIL	1	X X	(SAE 30W), 208 L (55 GAL)
..	TY22041	OIL	1	X X	(SAE 10W/30), 3.8 L (1 GAL) (BREAKIN)
..	TY22042	OIL	1	X X	(SAE 10W/30), 208 L (55 GAL) (BREAKIN)

1C11

ENGINE

ACCESSORY PARTS
RGP3041 -UN-01JAN94



RGP3041

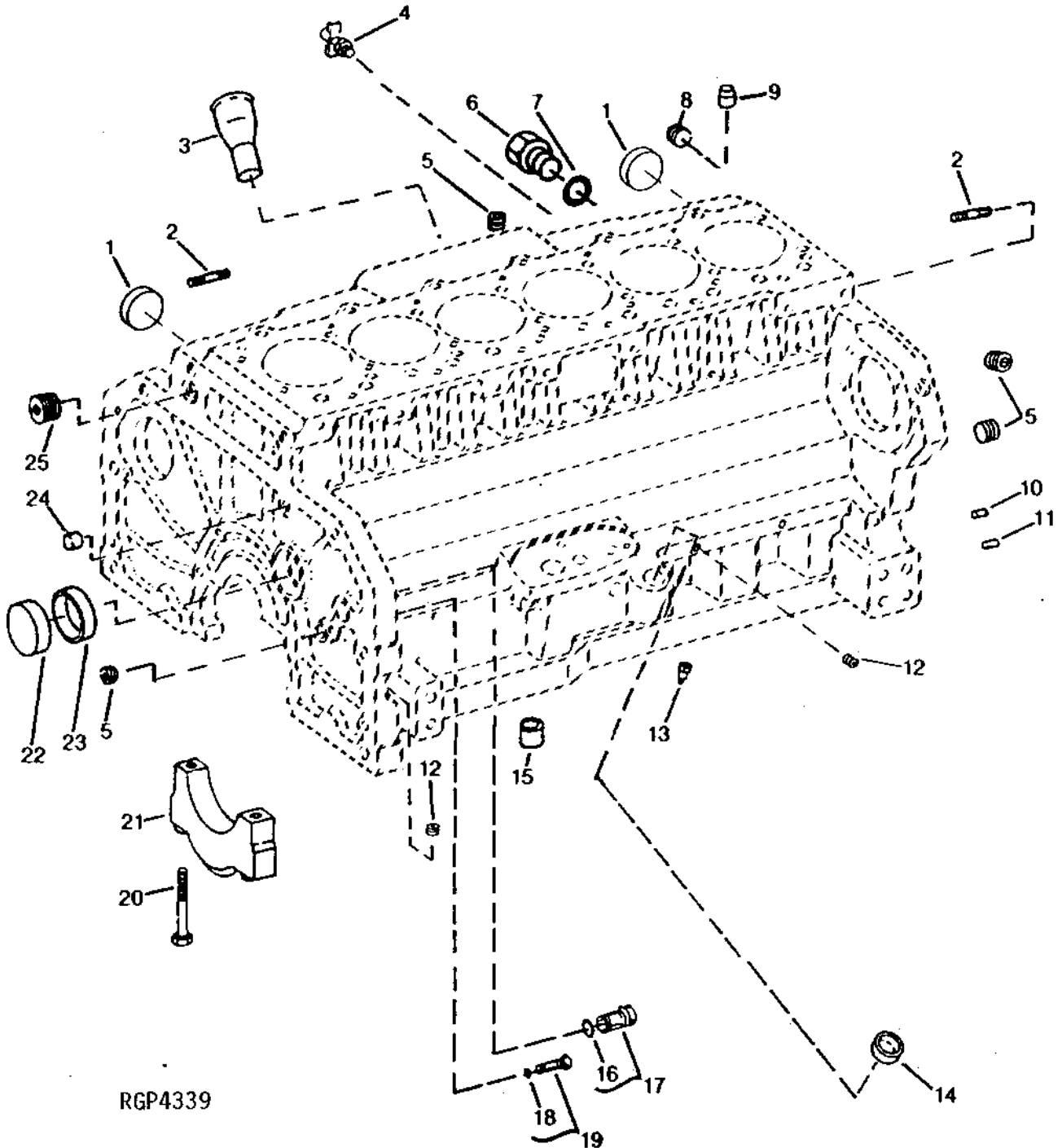
KEY	PART NO.	PART NAME	QTY	TRACTOR SERIAL NO.	REMARKS
				9 9	
				6 7	
				5 5	
				0 0	
1	AR44402	OIL	1	X X	0.9 L (1 QT)
2	TY16004	ENGINE COOLANT CONDITIONER	1	X X	0.472 L (16 OZ)
3	TY16005	ENGINE COOLANT CONDITIONER	1	X X	3.8 L (1 GAL)
4	AR54749	LUBRICANT	1	X X	0.9 L (1 QT)
..	AT66865	LUBRICANT	1	X X	(ELECTRICAL CONNECTIONS)
..	AR41785	KIT	1	X X	0.9 L (1 QT)
..	AR21969	KIT	1	X X	(CAP PLUG)
..	DS0251	KIT	1	X X	(COOLANT SCAN TEST)
..	IPSKIT1	KIT	1	X X	(OIL SCAN TEST)
..	DS0557	VALVE	1	X X	(SAMPLING SYSTEM)
..	TY16423	INDICATOR	1	X X	(COOLANT EYE - FILL OR FLUSHING PORT)

MEMORANDA

1C12

ENGINE

CYLINDER BLOCK FITTINGS
RGP4339 -UN-01JAN94



1C13

ENGINE

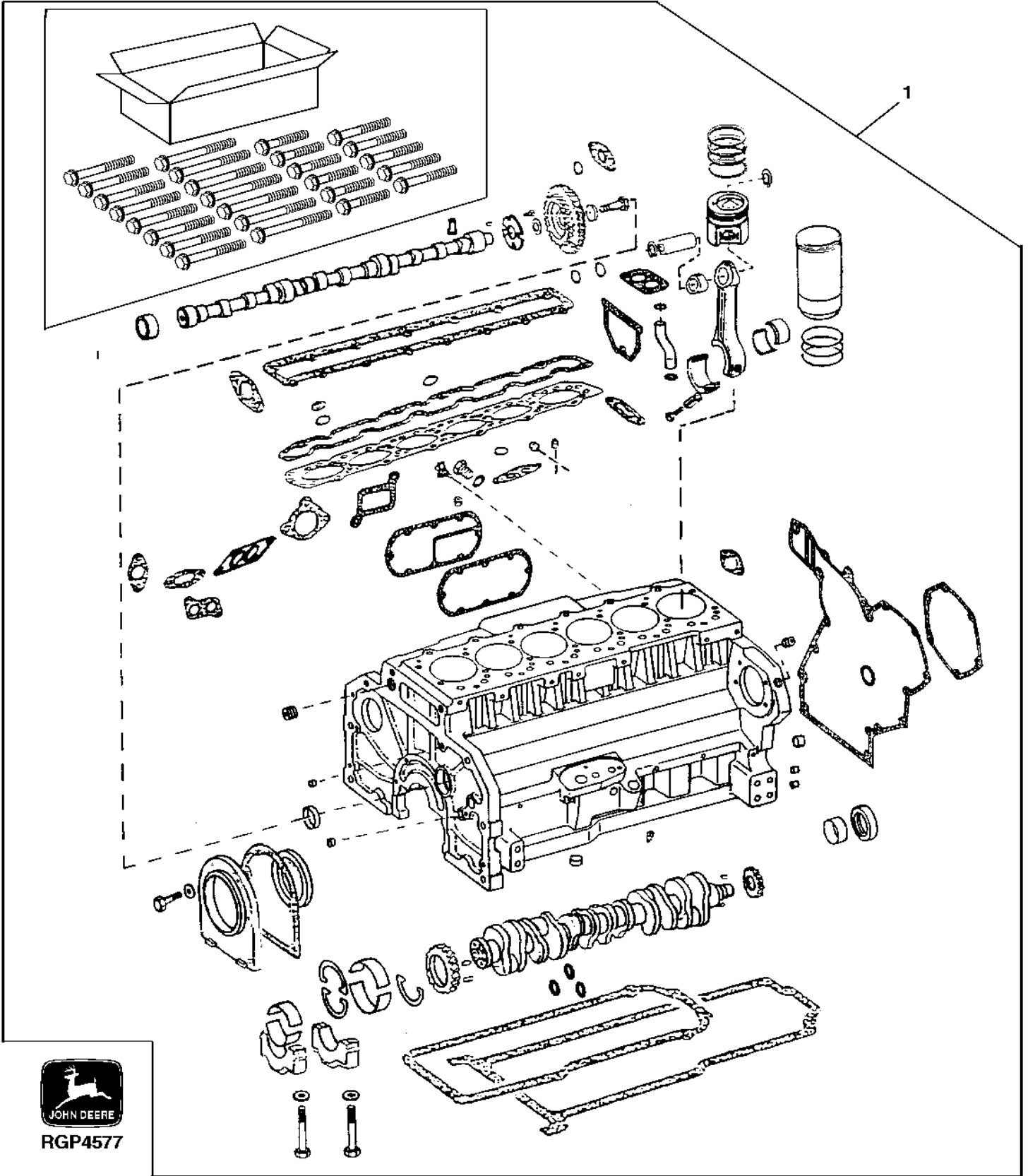
CYLINDER BLOCK FITTINGS - CONTINUED

KEY	PART NO.	PART NAME	QTY	ENGINE		REMARKS
				SERIAL NO.		
					9 9	
					6 7	
					5 5	
					0 0	
1	R43409	CAP	2		X X	
2	R114130	STUD	5		X X	
3	R121765	DIPSTICK TUBE	1		X X	
4	AT13740	DRAIN VALVE	1		X X	
5	R36599	PLUG	3		X X	1/2 ", (NOT AS SHOWN)
	RE57836	PIPE PLUG	1		X X	TIMING SIGHT HOLE
6	R39741	DRAIN PLUG	1		X X	
7	U13639	O-RING	1		X X	
8	15H690	PIPE PLUG	1		X X	3/4"
9	R42340	BUSHING	2		X X	
10	R1612R	DOWEL PIN	2		X X	
11	F1743R	DOWEL PIN	2		X X	
12	RE71255	PIPE PLUG	6		X X	
13	R43621	ORIFICE	6		X X	
14	T35390	CAP	1		X X	(OIL FILL HOLE NOT USED)
15	R500642	BUSHING	2		X X	
16	R27149	O-RING	1		X X	
17	AR61533	PLUG	1		X X	
18	A4365R	O-RING	1		X X	
19	AR61589	PLUG	1		X X	
20	R122364	BOLT	14		X X	
21	R120953	BEARING CAP	6		X X	(MAIN)
	R120954	BEARING CAP	1		X X	(THRUST)
22	R82007	CAP	1		X X	
23	R87561	BUSHING	4		X X	
24	R61288	DOWEL PIN	1		X X	
25	15H686	PIPE PLUG	1		X X	1"
..	15H624	PIPE PLUG	AR		X X	1/2"
..	CYLINDER BLOCK	NA		X X	(NOT AVAILABLE)

1C14

ENGINE

ENGINE SHORT BLOCK
RGP4577 -UN-02NOV95



1C15

ENGINE

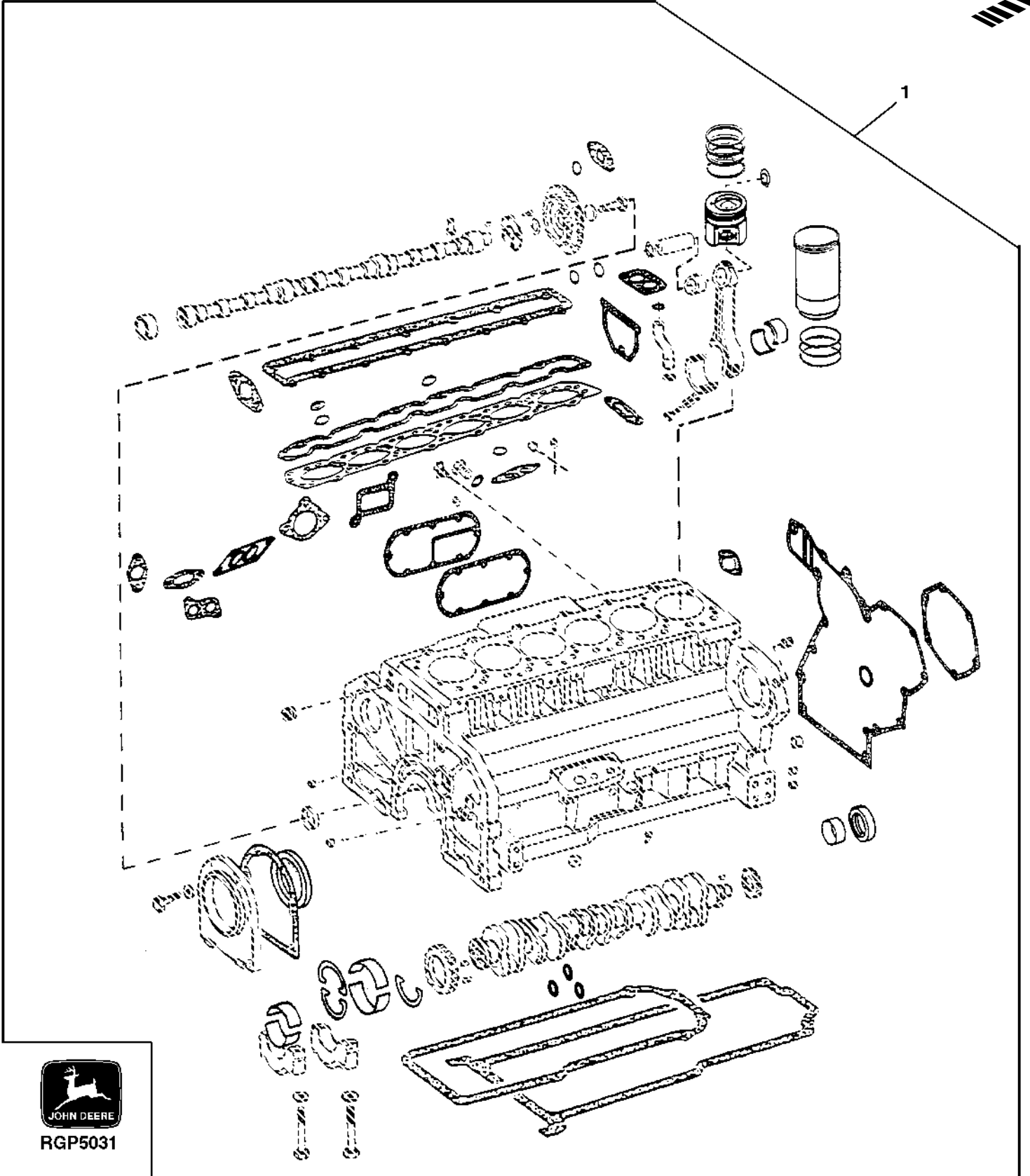
ENGINE SHORT BLOCK - CONTINUED

KEY	PART NO.	PART NAME	QTY	ENGINE SERIAL NO.	REMARKS
1	RE504203	SHORT BLOCK ASSEMBLY	1	9 9 6 7 5 5 0 0	X X (LOW COMPRESSION RE70689 PISTON) (MARKED R115471) (ALSO ORDER R121765)

1C16

ENGINE

ENGINE OVERHAUL KIT
RGP5031 -UN-11MAY98



RGP5031

1C17

ENGINE

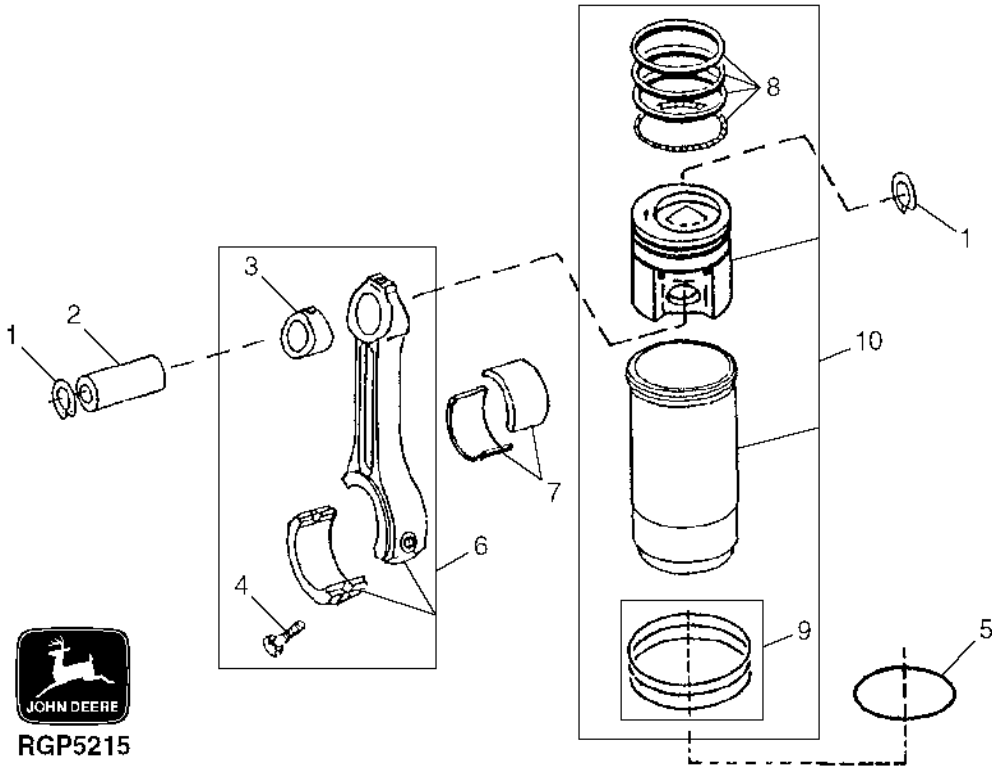
ENGINE OVERHAUL KIT - CONTINUED

KEY	PART NO.	PART NAME	QTY	ENGINE SERIAL NO.	REMARKS
1	RE504202	ENGINE OVERHAUL KIT	1	9 9 6 7 5 5 0 0	(CONTAINS (6) RE62791 PISTON/LINERS, GASKET KIT, STD BEARINGS, FRONT/REAR SEALS, AND SNAP RINGS) (ALSO ORDER R501035 ROD BOLTS) (CONTAINS LOW COMPRESSION PISTONS MARKED RE70689)

1C18

ENGINE

PISTON / CONNECTING RODS / CYLINDER LINER
RGP5215 -UN-16JUN99



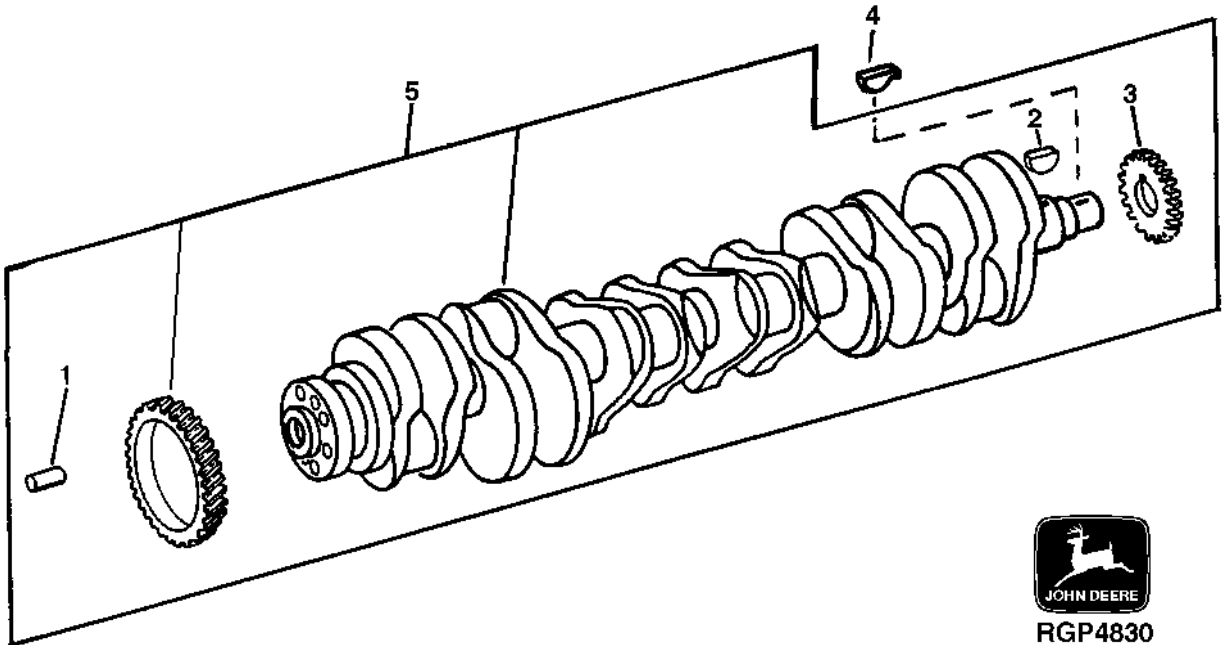
9 9
6 7
5 5
0 0

KEY	PART NO.	PART NAME	QTY	ENGINE SERIAL NO.	REMARKS
1	E1343FN	SNAP RING	12	X X	
2	R57771	PISTON PIN	6	X X	
3	R74008	BUSHING	6	X X	
4	R501035	CAP SCREW	12	X X	
5	R93948	SHIM	2	X X	0.05 MM (.002") (MAX.)
6	RE501513	CONNECTING ROD	6	X X	(MARKED R501034)
7	R116081	BEARING	AR	X X	STD PKG (2)
	RE57167	BEARING	AR	X X	0.292 MM (.011") (UNDERSIZE) (PKG OF (2) R121338)
8	RE503528	PISTON RING	6	X X	
9	AR98850	KIT	6	X X	
10	RE62791	KIT	6	X X	(LOW COMPRESSION) (MARKED RE70689)

1C19

ENGINE

CRANKSHAFT
RGP4830 -UN-02DEC96

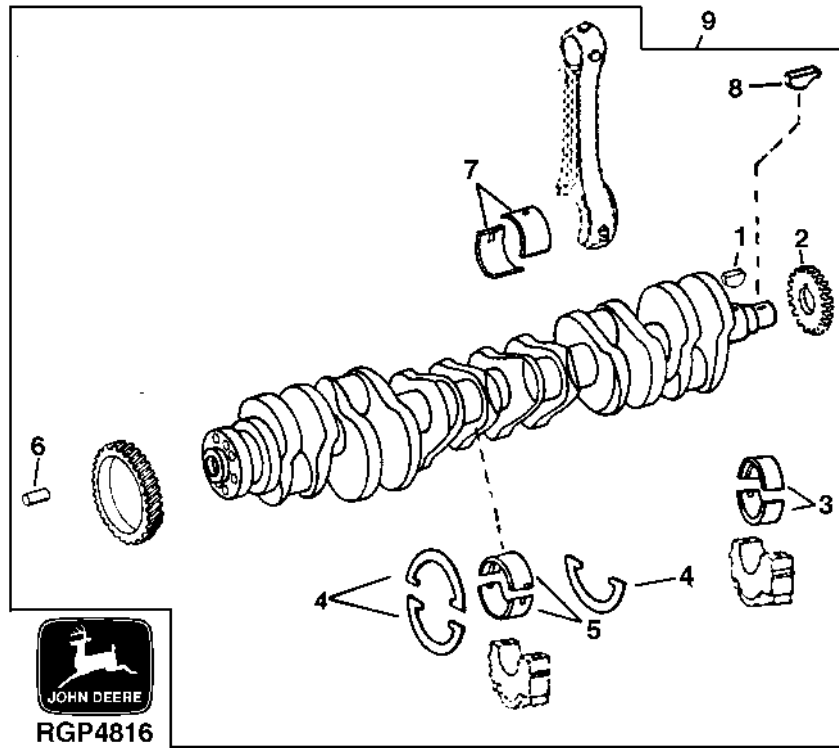


KEY	PART NO.	PART NAME	QTY	ENGINE SERIAL NO.	REMARKS
				9 9	
				6 7	
				5 5	
				0 0	
1	R41934	DOWEL PIN	1	X X	
2	R120752	KEY	1	X X	1/8" X 0.625"
3	R104587	GEAR	1	X X	
4	R116311	KEY	1	X X	
5	RE55522	CRANKSHAFT	1	X X	(MARKED R120030)

1C20

ENGINE

UNDERSIZE CRANKSHAFT/BEARINGS, KIT
RGP4816 -UN-21OCT96



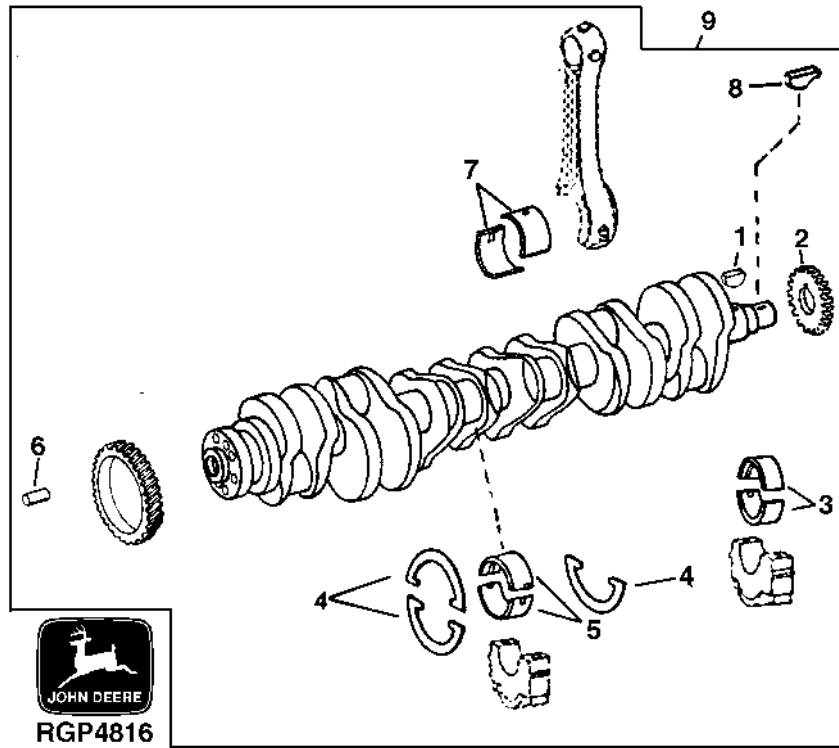
KEY	PART NO.	PART NAME	QTY	ENGINE		REMARKS
				SERIAL NO.		
				9	9	
				6	7	
				5	5	
				0	0	
1	R120752	KEY	1	X	X	
2	R104587	GEAR	1	X	X	
3	RE57170	BEARING	6	X	X	STD, (SUB RE504195)
	RE504195	BEARING	6	X	X	STD.
4	RE61253	THRUST WASHER	1	X	X	STD, (PKG (3) R124381)
5	RE57175	THRUST BEARING	1	X	X	STD, (PKG R116084 AND R116085) (SUB RE504198)
	RE504198	THRUST BEARING	1	X	X	STD.
6	R41934	DOWEL PIN	1	X	X	
7	RE57167	BEARING	6	X	X	.292 MM (.011") US, (PKG (2) R121338)
8	R116311	KEY	1	X	X	
9	RE61267	CRANKSHAFT	1	X	X	.292 MM (.011") US, (MARKED RE58780 OR R122653)

1C21

ENGINE

UNDERSIZE MAIN BEARING CRANKSHAFT AND BEARING KIT

RGP4816 -UN-21OCT96



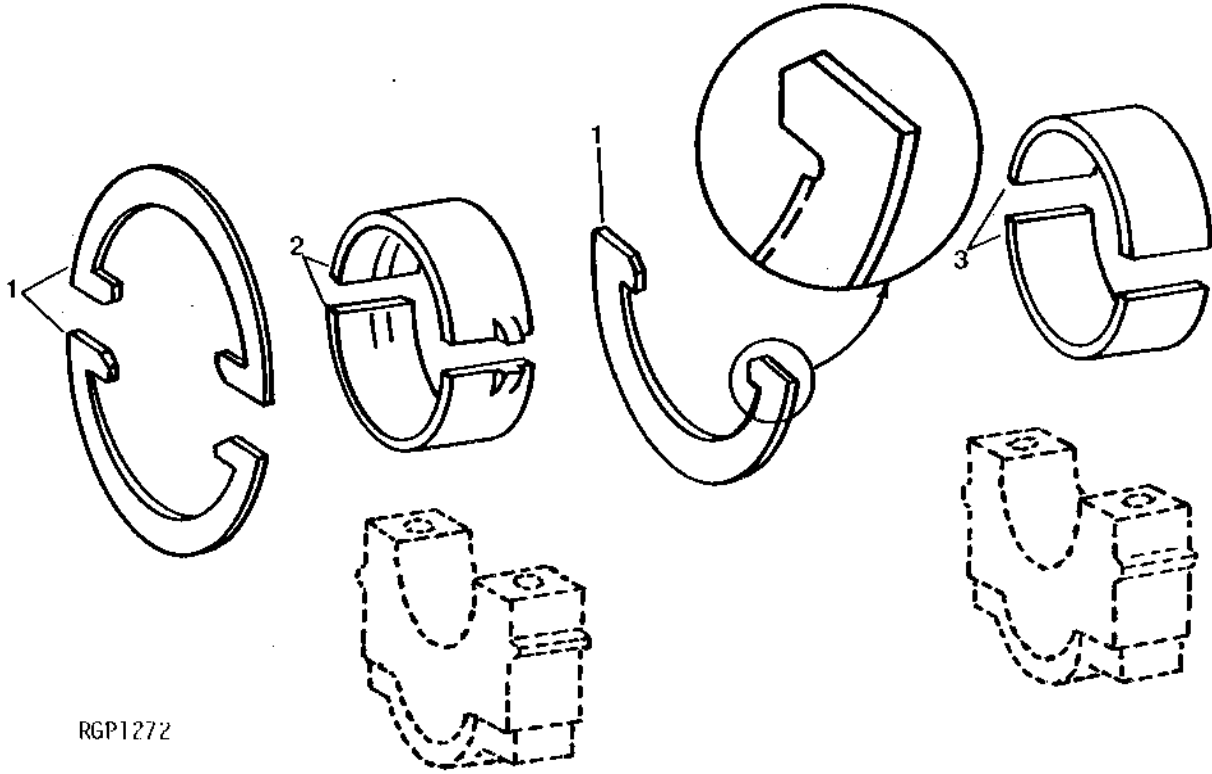
KEY	PART NO.	PART NAME	QTY	ENGINE		REMARKS
				SERIAL NO.		
				9	9	
				6	7	
				5	5	
				0	0	
1	R120752	KEY	1	X	X	1/8" X 0.625"
2	R104587	GEAR	1	X	X	
3	RE57172	BEARING	6	X	X	.292 MM (.011") US (PKG R121342 AND, R121346) (SUB RE504196)
4	RE504196	THRUST BEARING	6	X	X	.292MM (.011") US
	RE61851	THRUST WASHER	1	X	X	0.18 MM (.007") OS FLANGE (PKG (3) R124842)
5	RE57177	THRUST BEARING	1	X	X	.292 MM (.011") US (PKG R121350 AND, R121354) (SUB RE504199)
	RE504199	THRUST BEARING	1	X	X	.292MM (.011") US
6	R41934	DOWEL PIN	1	X	X	
7	R116081	BEARING	6	X	X	STD
8	R116311	KEY	1	X	X	
9	RE61268	CRANKSHAFT	1	X	X	(MARKED R122654 OR RE58781)

1C22

ENGINE

MAIN BEARINGS

RGP1272 -UN-01JAN94



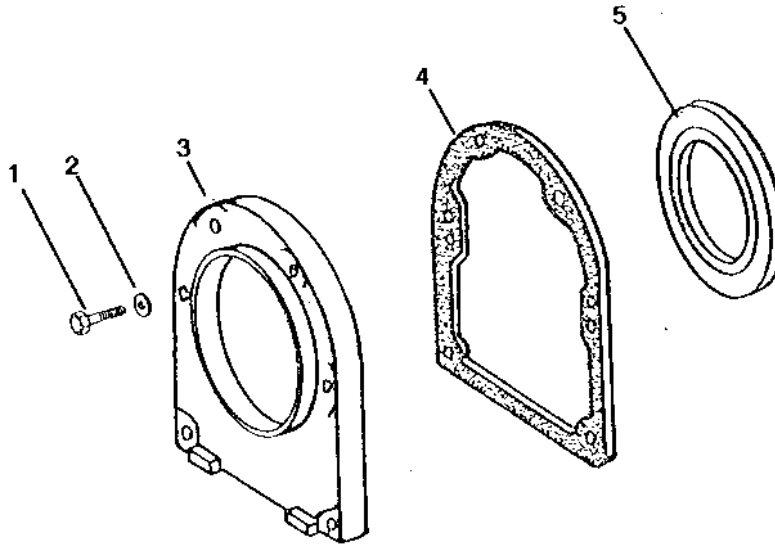
RGP1272

KEY	PART NO.	PART NAME	QTY	ENGINE	REMARKS
				SERIAL NO.	
				9 9	
				6 7	
				5 5	
				0 0	
1	RE61253	THRUST WASHER	1	X X	STD (PKG (3) R124381)
	RE61851	THRUST WASHER	1	X X	0.18 MM (.007") (PKG (3) R124842)
2	RE504198	THRUST BEARING	1	X X	STD (PKG R116084 AND R116085)
	RE504199	THRUST BEARING	1	X X	0.292 MM (.011") US, (PKG R121351 AND R121354)
	RE504200	THRUST BEARING	1	X X	0.552 MM (.022") US, (PKG R121351 AND R121355)
3	RE504195	BEARING	AR	X X	STD (PKG R116082 AND R116083)
	RE504196	THRUST BEARING	AR	X X	0.292 MM (.011") US, (PKG R121342 AND R121346)
	RE504197	BEARING	AR	X X	0.552 MM (.022") US, (PKG R121343 AND R121347)

1C23

ENGINE

CRANKSHAFT OIL SEAL AND HOUSING
RGP2382 -UN-01JAN94



RGP2382

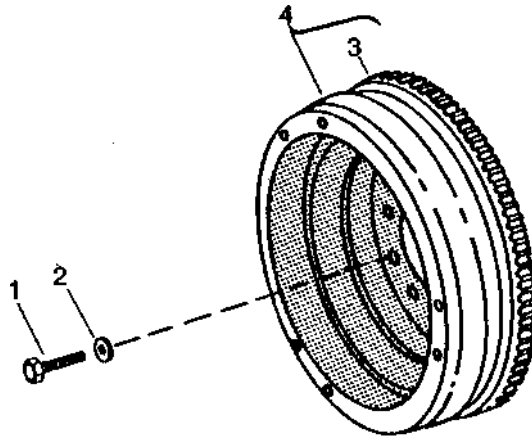
KEY	PART NO.	PART NAME	QTY	ENGINE SERIAL NO.	REMARKS
				9 9	
				6 7	
				5 5	
				0 0	
1	19H2117	CAP SCREW	6	X X	5/16" X 1-1/8"
2	T27860	WASHER	6	X X	11/32" X 11/16" X 0.065"
3	R125027	HOUSING	1	X X	
4	R26058	GASKET	1	X X	
5	RE22764	SEAL	1	X X	

1C24

ENGINE

FLYWHEEL

RGP198 -UN-01JAN94



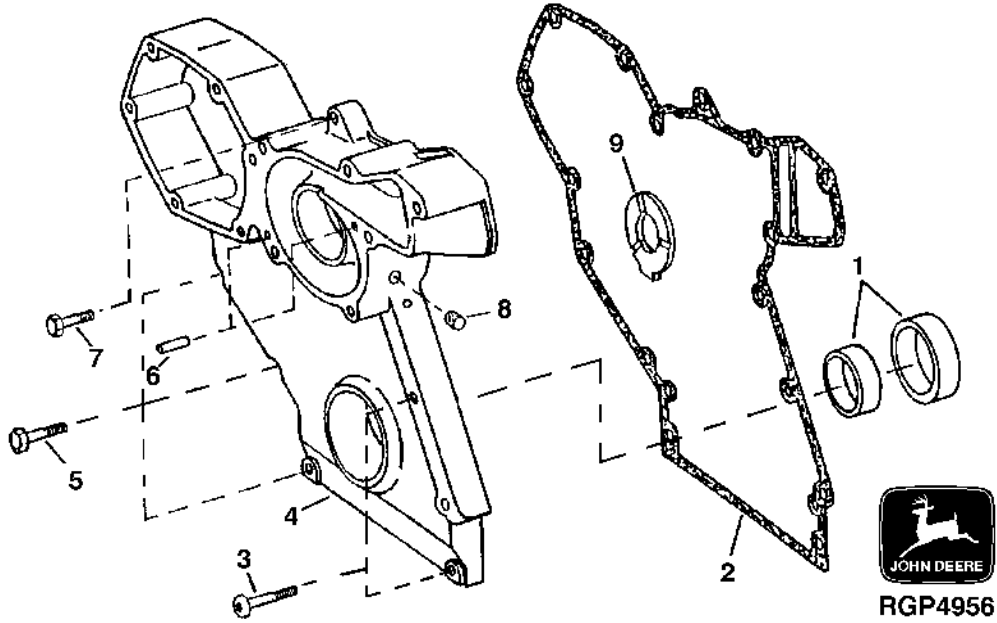
RGF198

KEY	PART NO.	PART NAME	QTY	ENGINE	9 9	REMARKS
				SERIAL NO.	6 7	
				5 5		
				0 0		
1	R93238	CAP SCREW	6		X X	
2	T21242	WASHER	6		X X	
3	R28811	RING GEAR	1		X X	
4	RE502510	FLYWHEEL	1		X X	(MARKED R501414)

1C25

ENGINE

TIMING GEAR COVER
RGP4956 -UN-20AUG97



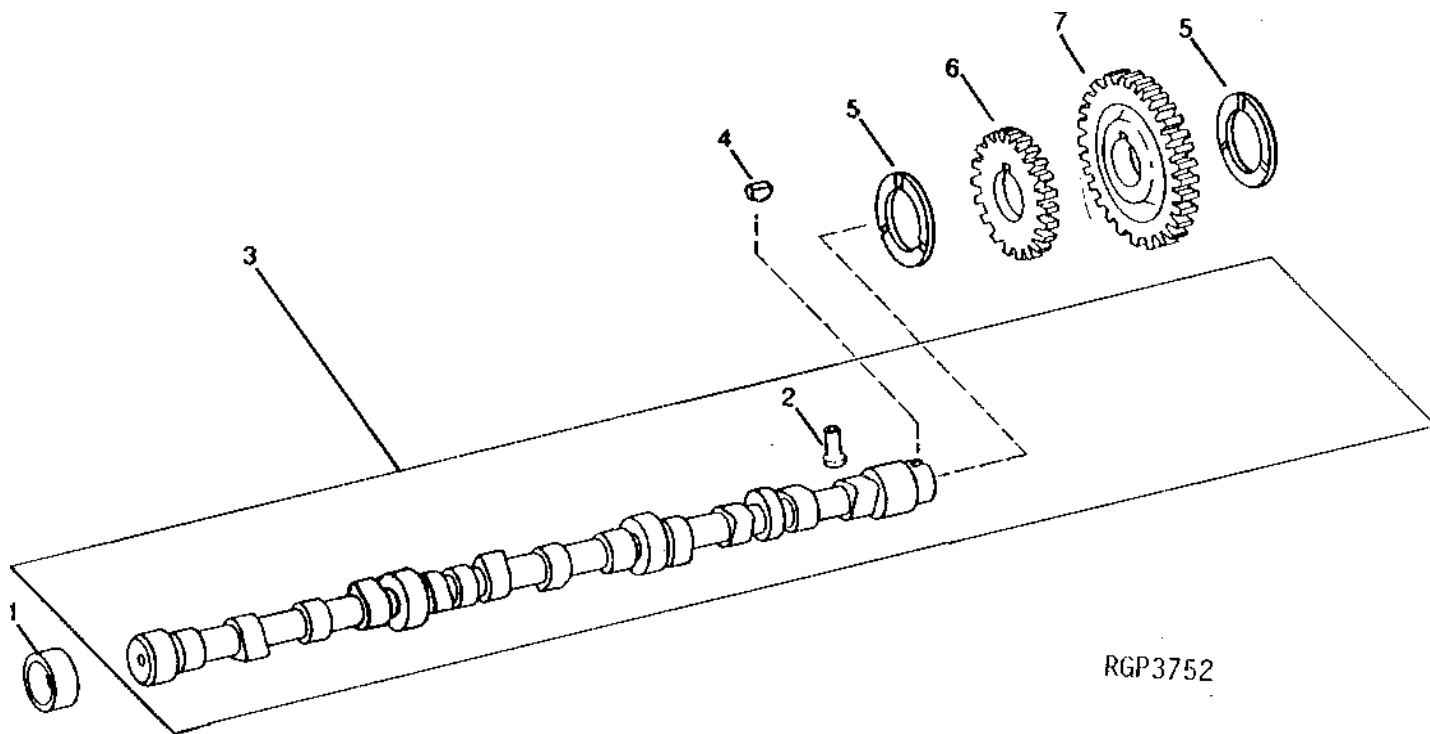
KEY	PART NO.	PART NAME	QTY	ENGINE SERIAL NO.		REMARKS
				9 9	6 7	
1	AR49025	SEAL	1	X	X	(INCLUDES R32617 SLEEVE)
2	R119384	GASKET	1	X	X	
3	R115129	CAP SCREW	3	X	X	
4	R502081	COVER	1	X	X	
5	R104859	CAP SCREW	3	X	X	
6	R11086	DOWEL PIN	2	X	X	
7	19H3693	CAP SCREW	1	X	X	3/8" X 1-1/4"
8	R98527	FILTER	1	X	X	(WATER PUMP)
9	R104656	THRUST WASHER	1	X	X	

1D1

ENGINE

CAMSHAFT

RGP3752 -UN-01JAN94



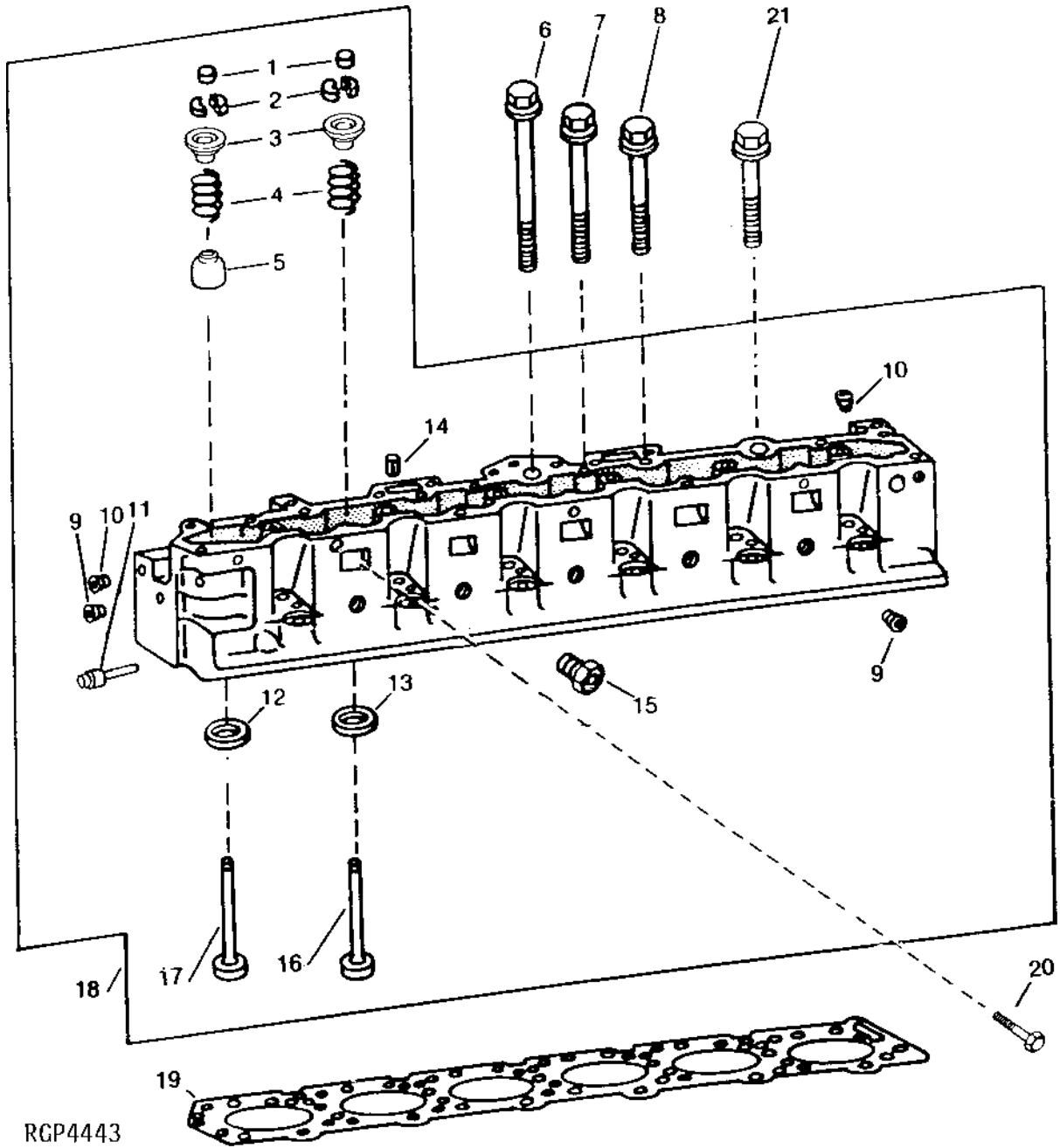
KEY	PART NO.	PART NAME	QTY	ENGINE SERIAL NO.	REMARKS
				9 9	
				6 7	
				5 5	
				0 0	
1	R87561	BUSHING	4	X X	
2	R110126	CAM FOLLOWER	12	X X	
3	RE57054	CAMSHAFT	1	X X	(MARKED R120872)
4	26H91	SHAFT KEY	1	X X	3/16" X 1-1/4"
5	R104656	THRUST WASHER	2	X X	
6	R104589	GEAR	1	X X	
7	R112053	GEAR	1	X X	

MEMORANDA

1D2

ENGINE

CYLINDER HEAD
RGP4443 -UN-28FEB95



RGP4443

1D3

ENGINE

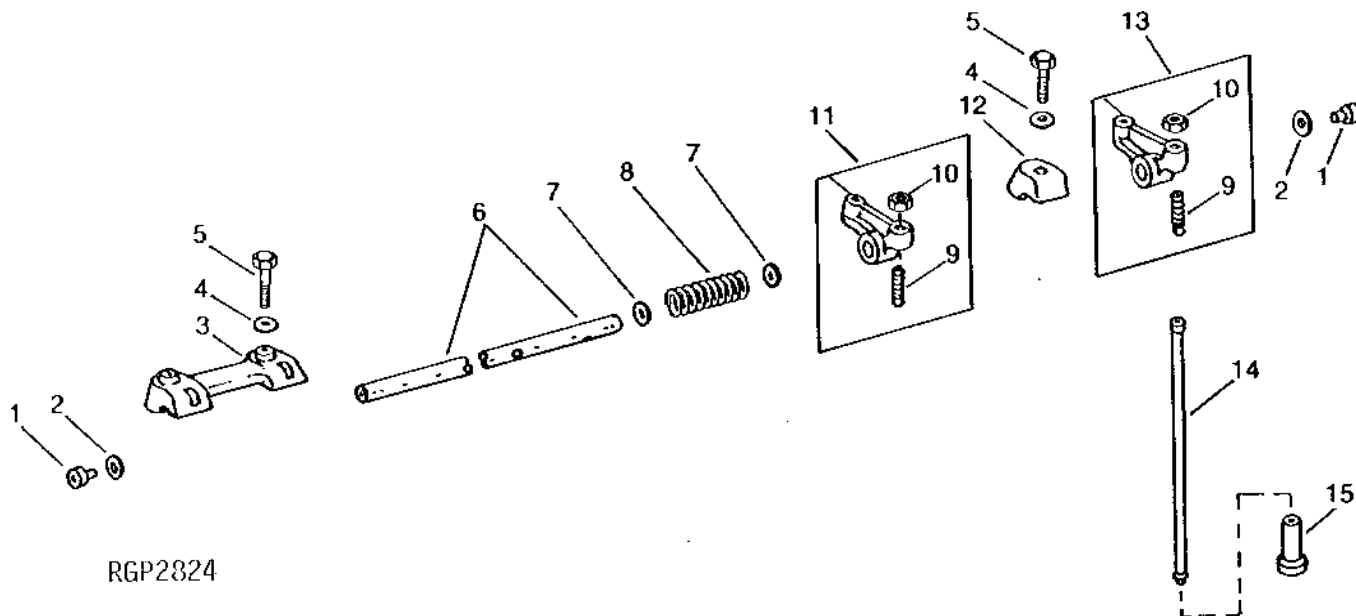
CYLINDER HEAD - CONTINUED

KEY	PART NO.	PART NAME	QTY	ENGINE		REMARKS
				SERIAL NO.		
					9 9	
					6 7	
					5 5	
					0 0	
1	T20129	CAP	12		X X	
2	T20077	RETAINER	24		X X	
3	R136320	CAP	12		X X	
4	R91822	SPRING	12		X X	
5	R102882	SHIELD	6		X X	(EXHAUST VALVES ONLY)
6	R121491	CAP SCREW	7		X X	203 MM (8.0") (MARKED "SPECIAL")
7	R121490	CAP SCREW	8		X X	175 MM (6.9") (MARKED "SPECIAL")
8	R121320	CAP SCREW	6		X X	134 MM (5.3") (MARKED "SPECIAL")
9	15H690	PIPE PLUG	10		X X	3/4"
10	RE57836	PIPE PLUG	2		X X	
11	AT107509	PLUG	1		X X	
12	R119132	VALVE SEAT INSERT	6		X X	EXHAUST
13	R121193	VALVE SEAT INSERT	6		X X	INTAKE
14	34H387	SPRING PIN	1		X X	3/16" X 3/4"
15	R76491	PIPE PLUG	1		X X	
16	R84618	INTAKE VALVE	6		X X	STD
	R93308	INTAKE VALVE	AR		X X	0.08 MM (.003") OS
	R93312	INTAKE VALVE	AR		X X	0.38 MM (.015") OS
	R93314	INTAKE VALVE	AR		X X	0.76 MM (.030") OS
	R93350	VALVE SEAT INSERT	AR		X X	0.010 MM - OS
17	R84619	EXHAUST VALVE	6		X X	STD
	R93311	EXHAUST VALVE	AR		X X	0.08 MM (.003") OS
	R93313	EXHAUST VALVE	AR		X X	0.38 MM (.015") OS
	R93315	EXHAUST VALVE	AR		X X	0.76 MM (.030") OS
	R93349	VALVE SEAT INSERT	AR		X X	0.010 MM - OS
18	RE57750	CYLINDER HEAD	1		X X	(MARKED R122491 OR R122492)
19	RE55475	ENGINE CYLINDER HEAD GASKET	1		X X	
20	19H2367	CAP SCREW	1		X X	5/8" X 3/4"
21	R121489	CAP SCREW	5		X X	149 MM (5.9") (MARKED "SPECIAL")
..	RG24026	KIT	1		X X	(CONTAINS (26) "SPECIAL" HEAD BOLTS)

1D4

ENGINE

ROCKER ARM SHAFT
RGP2824 -UN-01JAN94



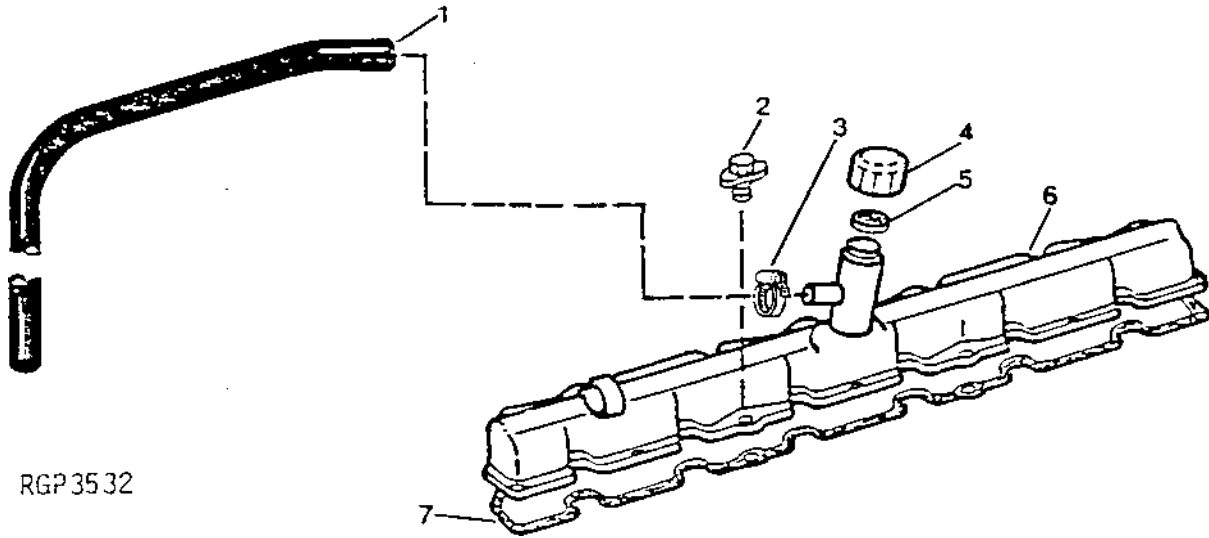
KEY	PART NO.	PART NAME	QTY	ENGINE SERIAL NO.	REMARKS
				9 9	
				6 7	
				5 5	
				0 0	
1	R54565	PLUG	2	X X	
2	R26081	WASHER	2	X X	
3	R136083	CLAMP	2	X X	
4	R26559	WASHER	6	X X	
5	19H1740	CAP SCREW	6	X X	7/16" X 1-3/4"
6	R70826	ROCKER ARM SHAFT	1	X X	
7	R71208	WASHER	10	X X	
8	R26079	SPRING	5	X X	
9	R27443	SET SCREW	12	X X	
10	14H1080	NUT	12	X X	3/8"
11	RE24045	ROCKER ARM	6	X X	(A) (1E, 2I, 3E, 4I, 5E, 6I) (RH)
12	R26748	CLAMP	2	X X	
13	RE24046	ROCKER ARM	6	X X	(A) (1I, 2E, 3I, 4E, 5I, 6E) (LH)
14	R85027	PUSH ROD	12	X X	
15	R110126	CAM FOLLOWER	12	X X	

(A) - E (EXHAUST VALVE) - I (INTAKE VALVE)

1D5

ENGINE

ROCKER ARM COVER
RGP3532 -UN-01JAN94



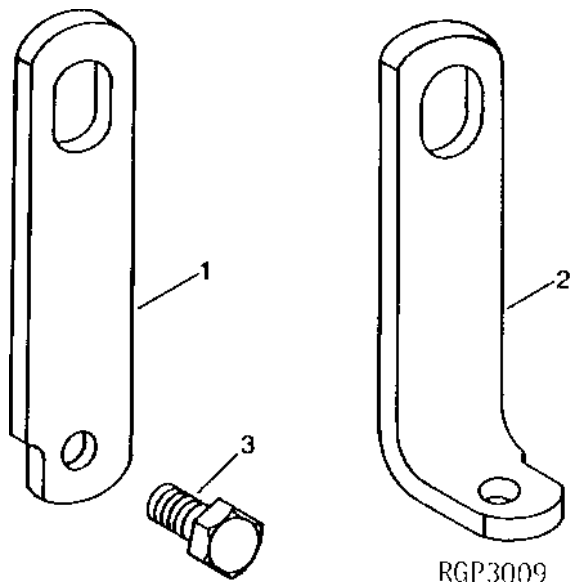
KEY	PART NO.	PART NAME	QTY	ENGINE SERIAL NO.	REMARKS
				9 9	
				6 7	
				5 5	
				0 0	
1	BULK HOSE	AR	X X	(BULK)
2	AR100124	SCREW, WITH WASHER	8	X X	
3	TY22467	CLAMP	1	X X	
4	T20294	CAP	1	X X	
5	T20328	GASKET	1	X X	
6	AR93173	COVER	1	X X	
7	R49866	GASKET	1	X X	
..	TY24446	ADHESIVE	1	X X	

1D6

ENGINE

LIFT STRAPS

RGP3009 -UN-01JAN94



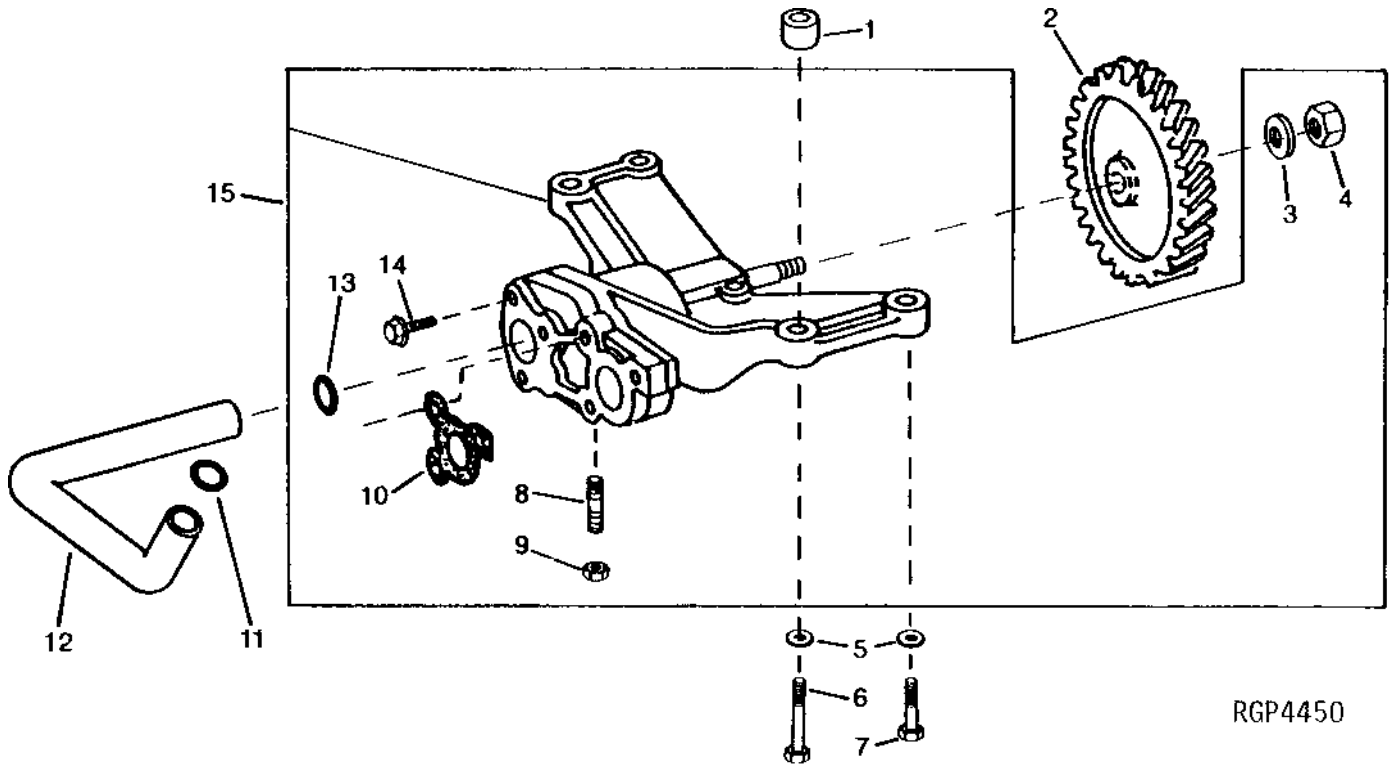
KEY	PART NO.	PART NAME	QTY	ENGINE SERIAL NO.	REMARKS
				9 9	
				6 7	
				5 5	
				0 0	
1	R61497	STRAP	2	X X	
2	ANGLE	1	X X	
3	19H1756	CAP SCREW	2	X X	5/8" X 1-1/2"

MEMORANDA

1D7

ENGINE

OIL PUMP
RGP4450 -UN-03MAR95



RGP4450

1D8

ENGINE

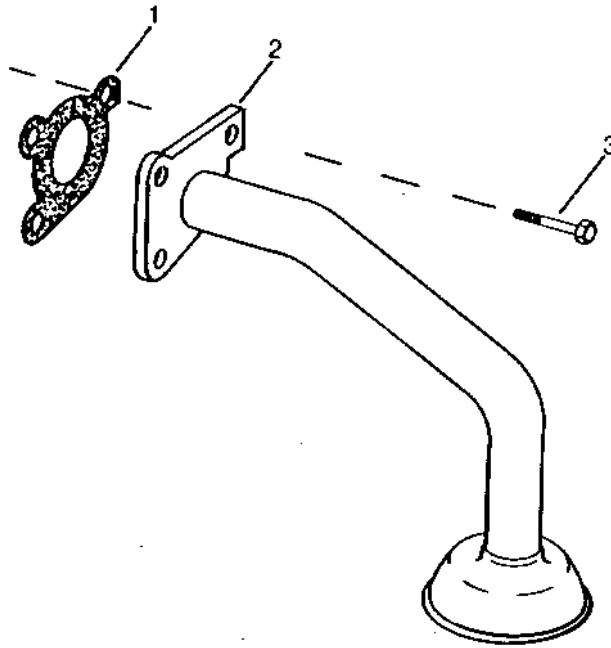
OIL PUMP - CONTINUED

KEY	PART NO.	PART NAME	QTY	ENGINE	REMARKS
				SERIAL NO.	
				9 9	
				6 7	
				5 5	
				0 0	
1	R500642	BUSHING	2	X X	
2	R62938	GEAR	1	X X	
3	T21242	WASHER	1	X X	
4	14H826	NUT	1	X X	1/2"
5	R57696	WASHER	4	X X	
6	19H3759	CAP SCREW	2	X X	3/8" X 1-7/8"
7	19H3219	CAP SCREW	2	X X	3/8" X 1-3/8"
8	22H1040	SET SCREW	1	X X	5/16" X 1-1/4"
9	14H785	NUT	1	X X	5/16"
10	R100569	GASKET	1	X X	
11	R71732	O-RING	1	X X	
12	R116718	OIL TUBE	1	X X	
13	R71732	O-RING	1	X X	
14	R104628	CAP SCREW	5	X X	
15	RE60622	OIL PUMP	1	X X	(MARKED R124328)

1D9

ENGINE

ENGINE OIL PUMP INTAKE
RGP3629 -UN-01JAN94



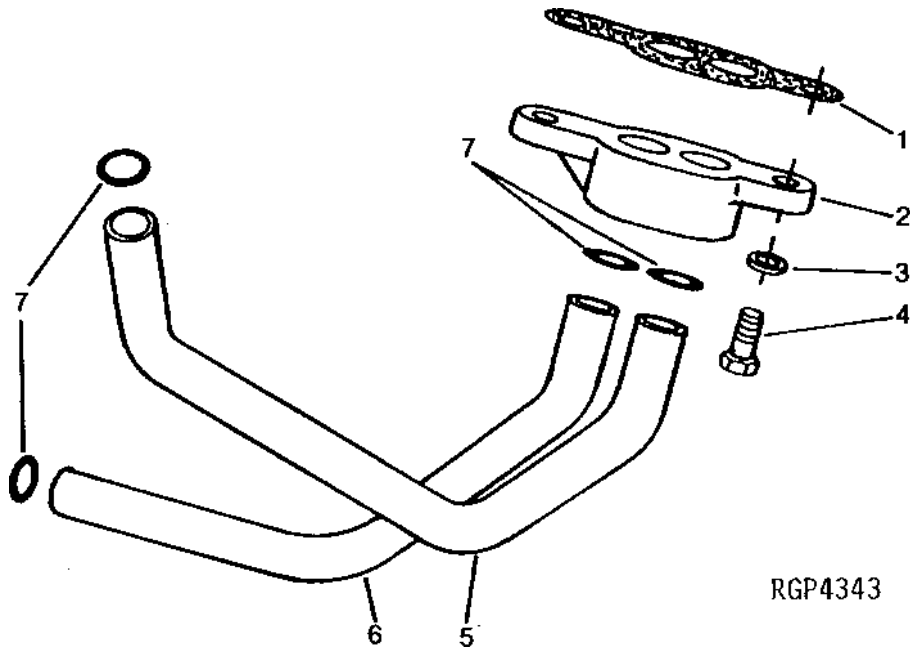
RGP3629

KEY	PART NO.	PART NAME	QTY	ENGINE SERIAL NO.	REMARKS
				9 9	
				6 7	
				5 5	
				0 0	
1	R100569	GASKET	1	X X	
2	RE60546	OIL PUMP INTAKE	1	X X	
3	R104628	CAP SCREW	3	X X	

1D10

ENGINE

OIL COOLER BYPASS VALVE
RGP4343 -UN-01JAN94



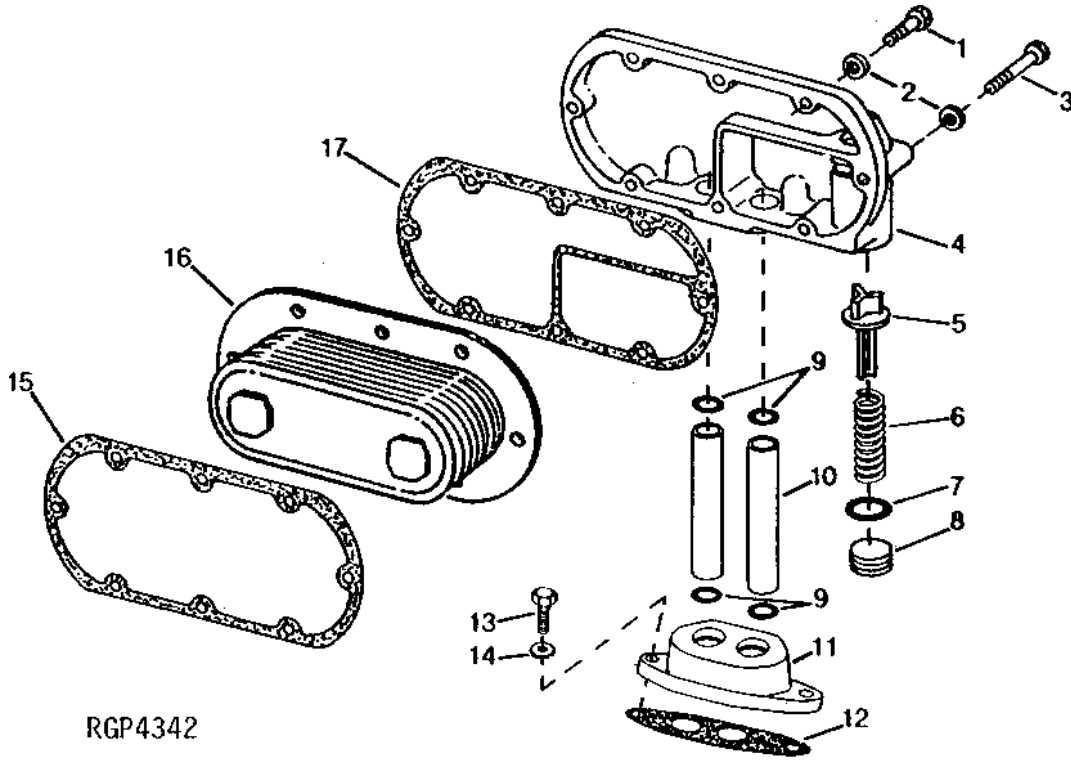
KEY	PART NO.	PART NAME	QTY	ENGINE SERIAL NO.		REMARKS
				9 9	6 7	
1	R109625	GASKET	1	X	X	
2	R116233	ADAPTER	1	X	X	
3	WASHER	NA			
4	R40236	CAP SCREW	2	X	X	
5	R126337	OIL TUBE	1	X	X	
6	R116718	OIL TUBE	1	X	X	
7	R71732	O-RING	4	X	X	

1D11

ENGINE

OIL COOLER

RGP4342 -UN-01JAN94



RGP4342

KEY	PART NO.	PART NAME	QTY	ENGINE		REMARKS
				SERIAL NO.		
				9	9	
				6	7	
				5	5	
				0	0	
1	19H3768	CAP SCREW	5	X	X	5/16" X 1-3/8"
2	24M7055	WASHER	8	X	X	8.400 X 16 X 1.600 MM
3	19H3769	CAP SCREW	3	X	X	5/16" X 2-1/2"
4	R134602	COVER	1	X	X	
5	R500055	VALVE	1	X	X	
6	R98064	SPRING	1	X	X	
7	U17409	O-RING	1	X	X	
8	R121163	FITTING PLUG	1	X	X	
9	R47153	O-RING	4	X	X	
10	R51053	OIL TUBE	2	X	X	
11	R127297	ADAPTER	1	X	X	
12	R50424	GASKET	2	X	X	
13	19H3483	CAP SCREW	2	X	X	3/8" X 1-1/8"
14	24M7096	WASHER	2	X	X	10.500 X 18 X 1.600 MM
15	AR58952	GASKET	1	X	X	
16	AR55394	OIL COOLER	1	X	X	
17	R132396	GASKET	1	X	X	

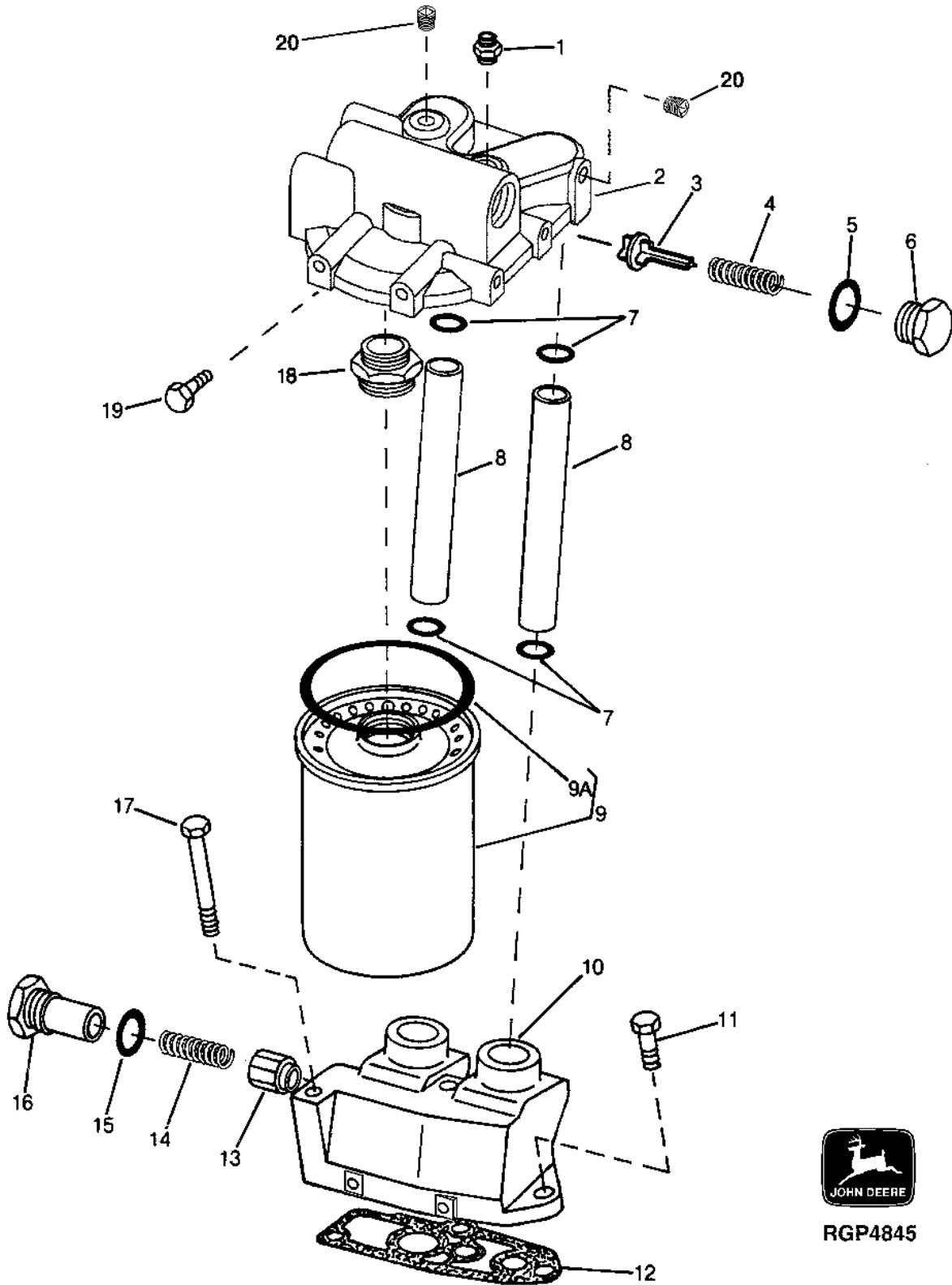
MEMORANDA

1D12

ENGINE

OIL FILTER
RGP4845

-UN-18DEC96



RGP4845

1D13

ENGINE

OIL FILTER - CONTINUED

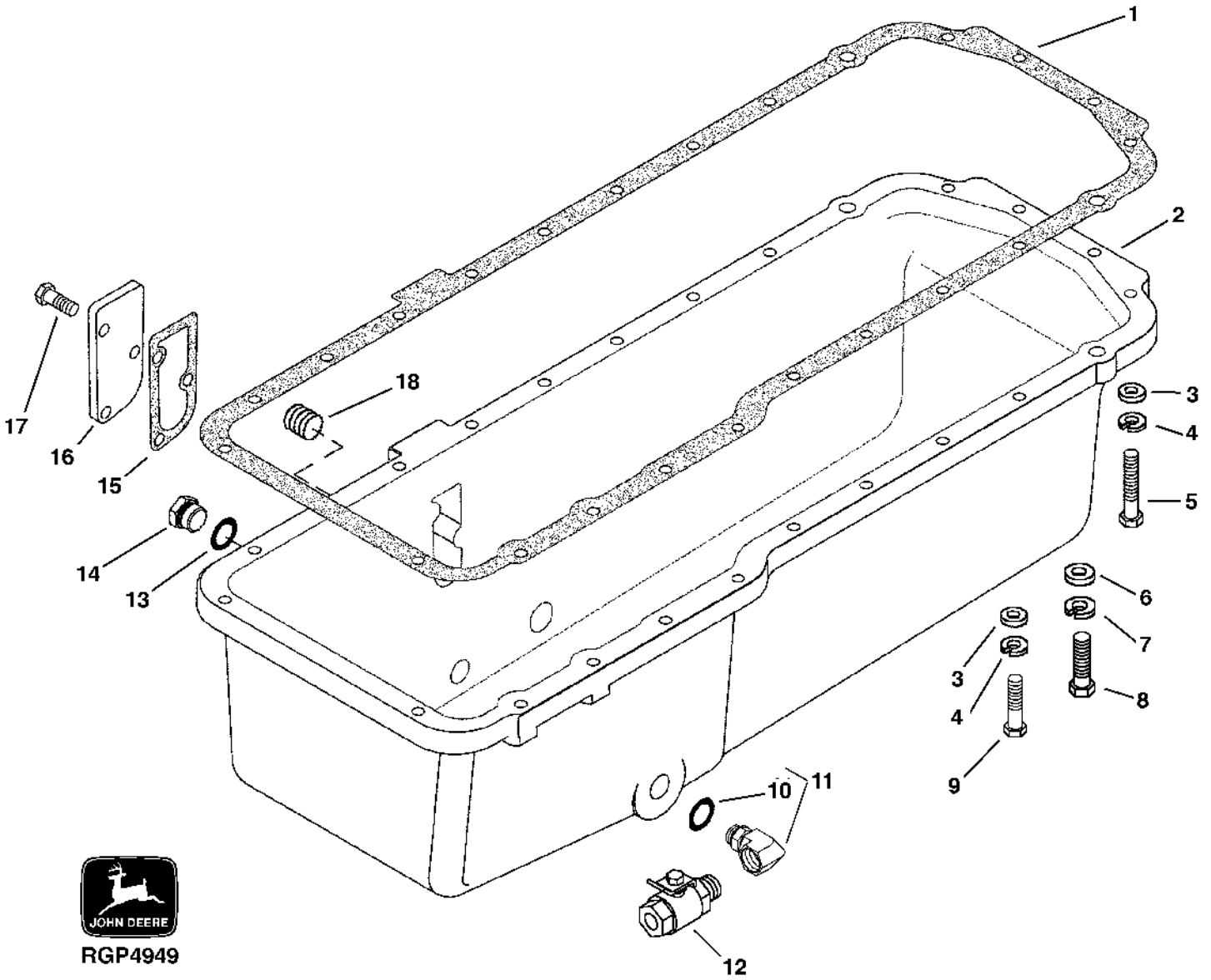
KEY	PART NO.	PART NAME	QTY	ENGINE	REMARKS
				SERIAL NO.	
				9 9	
				6 7	
				5 5	
				0 0	
1	RE57561	CONNECTOR	1	X X	
2	R128694	BASE	1	X X	
3	R500055	VALVE	1	X X	
4	R98064	SPRING	1	X X	
5	U17409	O-RING	1	X X	
6	R117073	FITTING PLUG	1	X X	
7	R47153	O-RING	4	X X	
8	R86063	TUBE	2	X X	
9	RE57394	OIL FILTER	1	X X	(MARKED RE57399)
9A	R43660	PACKING	1	X X	
10	R129820	HOUSING	1	X X	
11	19H3239	CAP SCREW	1	X X	3/8" X 1-1/4"
12	R119847	GASKET	1	X X	
13	R124186	RELIEF VALVE	1	X X	
14	R500330	SPRING	1	X X	
15	U17409	O-RING	1	X X	
16	R129821	FITTING PLUG	1	X X	
17	19H3445	CAP SCREW	2	X X	3/8" X 3-3/4"
18	R104621	ADAPTER	1	X X	
19	19H3104	CAP SCREW	2	X X	7/16" X 1-1/4"
20	RE71255	PIPE PLUG	2	X X	

1D14

ENGINE

OIL PAN
RGP4949

-UN-15AUG97



RGP4949

1D15

ENGINE

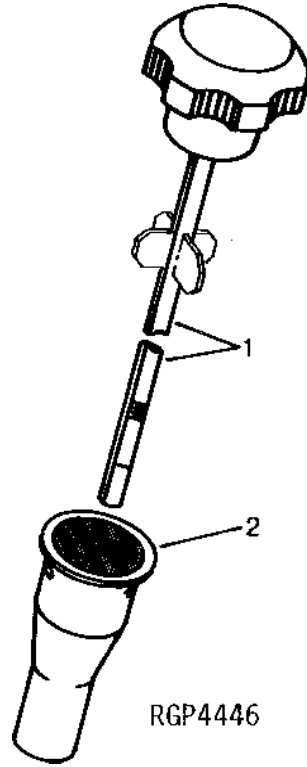
OIL PAN - CONTINUED

KEY	PART NO.	PART NAME	QTY	ENGINE SERIAL NO.	REMARKS
				9 9	
				6 7	
				5 5	
				0 0	
1	R49376	GASKET	1	X X	
2	R500354	PAN	1	X X	(SUB R500355, R127873, RE63439 AND (3) 19H1731)
	R500355	PAN	1	X X	(SERVICE ONLY)
3	24H1305	WASHER	22	X X	13/32" X 13/16" X 0.065"
4	12H304	LOCK WASHER	22	X X	3/8"
5	19H3485	CAP SCREW	4	X X	3/8" X 2"
6	24H1756	WASHER	2	X X	1/2" X 1" X 0.060"
7	12H301	LOCK WASHER	2	X X	1/2"
8	19H2473	CAP SCREW	2	X X	1/2" X 1-3/4"
9	19H3267	CAP SCREW	18	X X	3/8" X 1-5/8"
10	R47151	O-RING	1	X X	
11	RE500318	ELBOW FITTING	1	X X	
12	RE32856	VALVE	1	X X	
13	R47151	O-RING	1	X X	
14	R27474	DRAIN PLUG	1	X X	
15	RE63439	GASKET	1	X X	(USE WITH R500355)
16	R127873	COVER	1	X X	(USE WITH R500355)
17	19H1731	CAP SCREW	3	X X	3/8" X 1", (USE WITH R500355)
18	15H690	PIPE PLUG	1	X X	3/4"

1D16

ENGINE

ENGINE OIL DIPSTICK
RGP4446 -UN-03MAR95



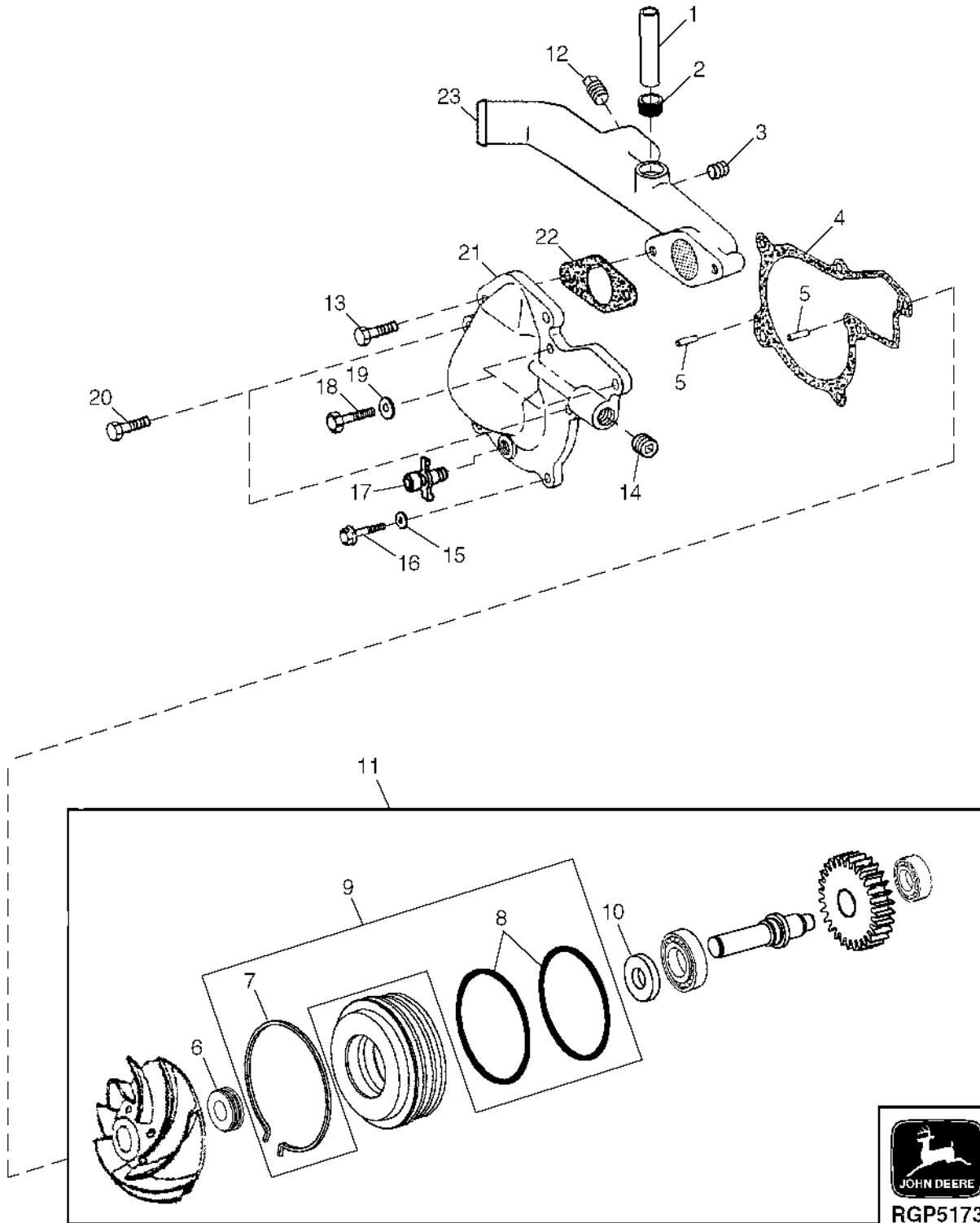
KEY	PART NO.	PART NAME	QTY	ENGINE SERIAL NO.	REMARKS
1	RE500216	DIPSTICK	1	9 9 6 7 5 5 0 0	
2	R121765	DIPSTICK TUBE	1	X X	141.5 MM (5.57")

MEMORANDA

1D17

ENGINE

WATER PUMP
RGP5173 -UN-20APR99



1D18

ENGINE

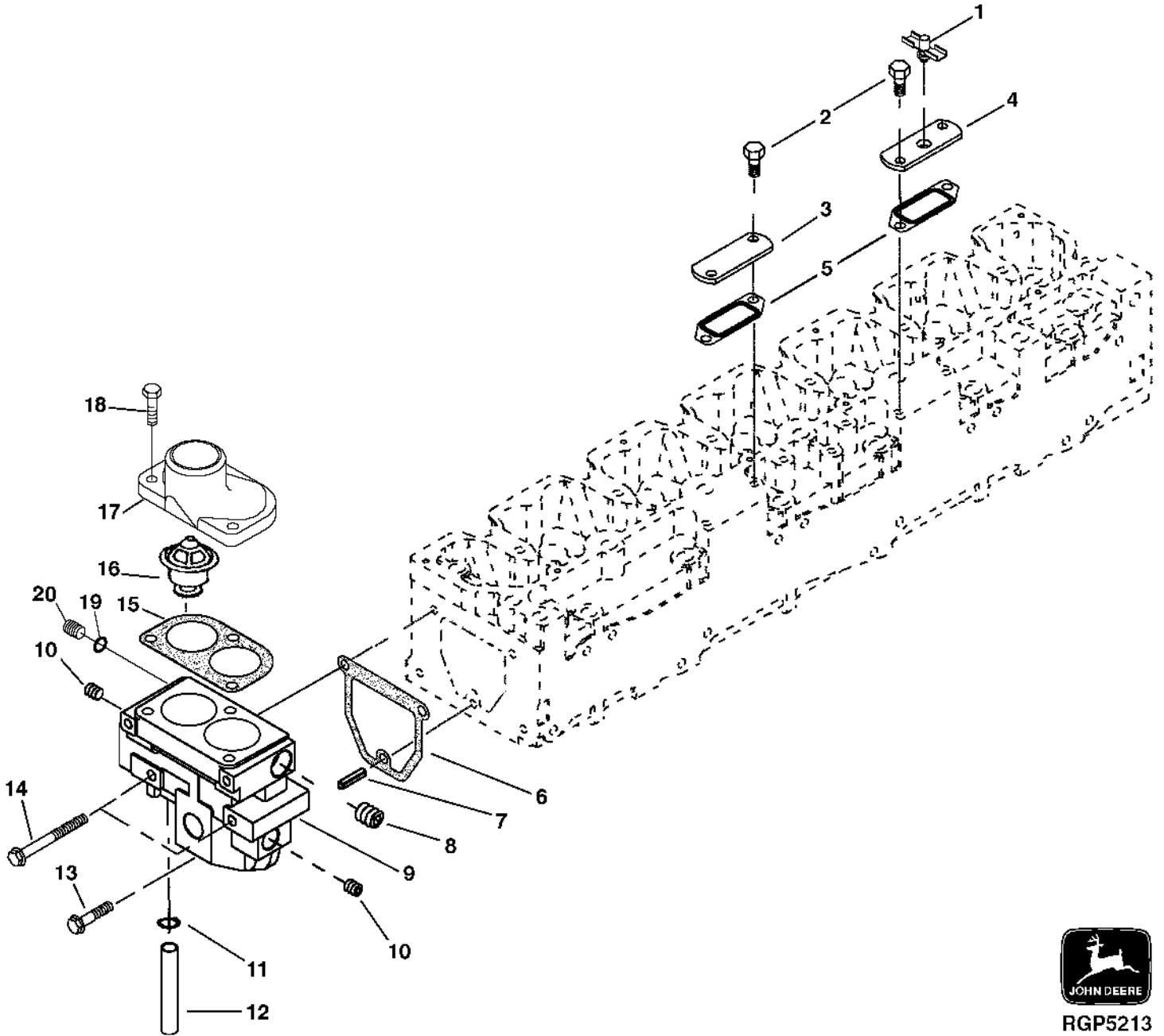
WATER PUMP - CONTINUED

KEY	PART NO.	PART NAME	QTY	ENGINE		REMARKS
				SERIAL NO.		
					9 9	
					6 7	
					5 5	
					0 0	
1	R125025	TUBE	1		X X	
2	RE57190	SEAL	1		X X	
3	15H685	PIPE PLUG	AR		X X	1/4"
4	R119383	GASKET	1		X X	
5	R11086	DOWEL PIN	2		X X	
6	RE68318	SEAL KIT	1		X X	(INCLUDES INSTALLATION TOOL)
7	R121316	RING	1		X X	(RETAINING)
8	R122430	O-RING	2		X X	
9	RE502154	KIT	1		X X	
10	RE39134	SEAL	1		X X	(OIL)
11	RE57154	WATER PUMP	1		X	(16 TOOTH GEAR) (MARKED R119795)
	RE500317	WATER PUMP	1		X	(15 TOOTH GEAR) (MARKED R119795)
12	RE57836	PIPE PLUG	1		X X	1/2"
13	19H3411	CAP SCREW	2		X X	3/8" X 1-1/8"
14	15H624	PIPE PLUG	AR		X X	1/2"
15	24H1136	WASHER	1		X X	11/32" X 11/16" X 0.065"
16	19H1897	CAP SCREW	1		X X	5/16" X 3-3/4"
17	AT13740	DRAIN VALVE	1		X X	
18	19H1854	CAP SCREW	3		X X	3/8" X 3-3/4"
19	19H3445	CAP SCREW	3		X X	9.525 X 95.250 MM
20	19H3411	CAP SCREW	2		X X	3/8" X 1-1/8"
21	R124741	COVER	1		X X	(RIGHT HAND)
22	R125072	GASKET	1		X X	
23	R124742	HOUSING	1		X X	(SUB R501465)
	R501465	HOUSING	1		X X	(ENGINE MODELS,HH004,5,6,8,9,10,11)

1D19

ENGINE

WATER MANIFOLD / THERMOSTAT
RGP5213 -UN-11JUN99



RGP5213

1D20

ENGINE

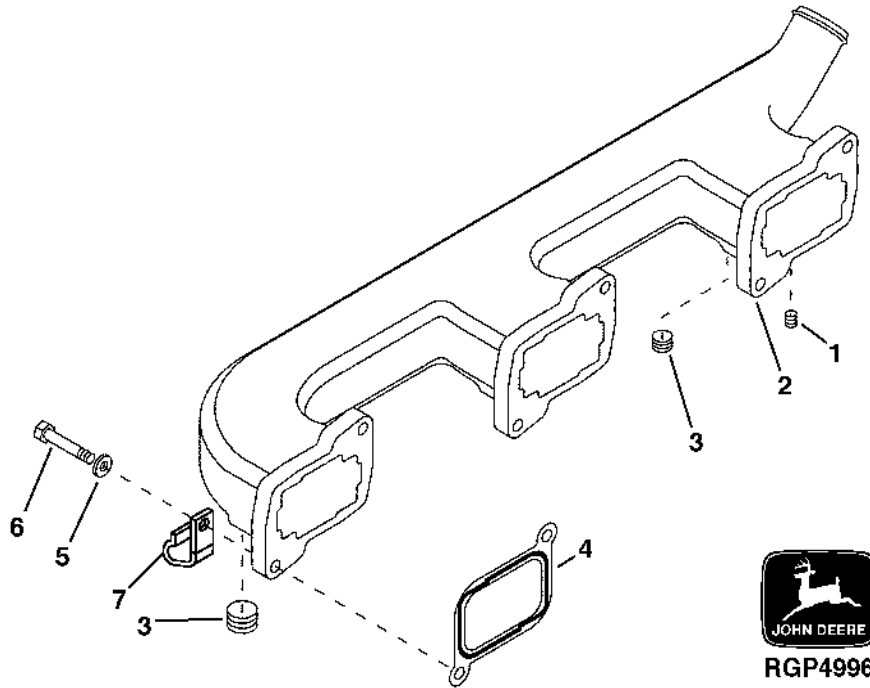
WATER MANIFOLD / THERMOSTAT - CONTINUED

KEY	PART NO.	PART NAME	QTY	ENGINE	REMARKS
				SERIAL NO.	
				9 9	
				6 7	
				5 5	
				0 0	
1	AT13740	DRAIN VALVE	1	X X	
2	T53268	BOLT	4	X X	
3	R86061	STRAP	1	X X	
4	R114160	COVER	1	X X	
5	R88397	GASKET	2	X X	
6	R86062	GASKET	1	X X	
7	34H329	SPRING PIN	1	X X	5/16" X 1-1/4"
8	15H690	PIPE PLUG	1	X X	3/4"
9	R500197	MANIFOLD	1	X X	
10	RE57836	PIPE PLUG	2	X X	
11	R72328	O-RING	1	X X	
12	R125025	TUBE	1	X X	
13	19H3772	CAP SCREW	1	X X	3/8" X 1-3/4"
14	R133998	CAP SCREW	2	X X	
15	R124607	GASKET	1	X X	
16	RE69581	THERMOSTAT	2	X X	
17	R86007	COVER	1	X X	
18	19H3239	CAP SCREW	3	X X	3/8" X 1-1/4"
19	R77673	O-RING	1	X X	
20	R82719	FITTING PLUG	1	X X	

1D21

ENGINE

INTAKE MANIFOLD
RGP4996 -UN-25MAR98

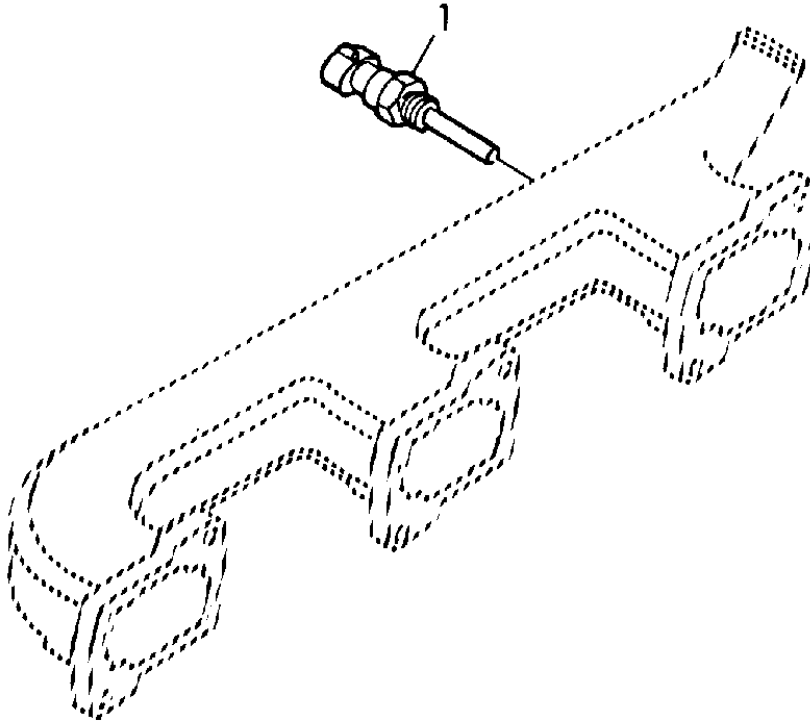


KEY	PART NO.	PART NAME	QTY	ENGINE SERIAL NO.		REMARKS
				9 9	6 7	
1	RE71255	PIPE PLUG	1	X	X	
2	R132290	INTAKE MANIFOLD	1	X	X	
3	15H690	PIPE PLUG	1	X	X	3/4", (REAR)
4	R130573	GASKET	3	X	X	
5	24H1682	WASHER	6	X	X	13/32" X 7/8" X 0.120"
6	19H1651	CAP SCREW	6	X	X	3/8" X 1-1/2"
7	T32231	CLAMP	1	X	X	

1D22

ENGINE

AFTERCOOLER AND INTAKE MANIFOLD
ZX016683 -UN-25FEB99



ZX 016683

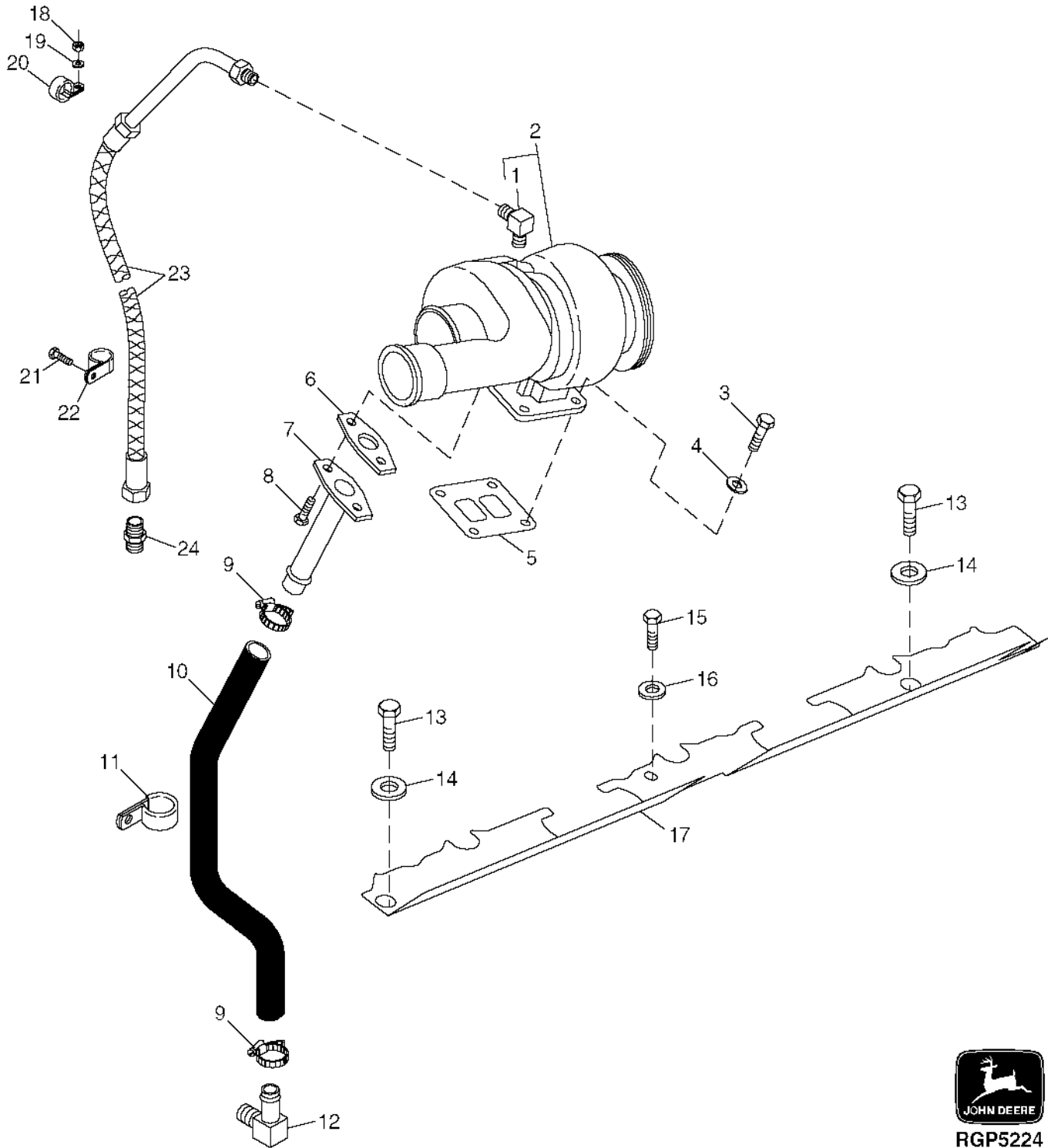
KEY	PART NO.	PART NAME	QTY	SERIAL NO.	REMARKS
1	AH156145	SENSOR	1	9 9 6 7 5 5 0 0	X X

1D23

ENGINE

TURBOCHARGER AND OIL LINES

RGP5224 -UN-15JUN99



RGP5224

1D24

ENGINE

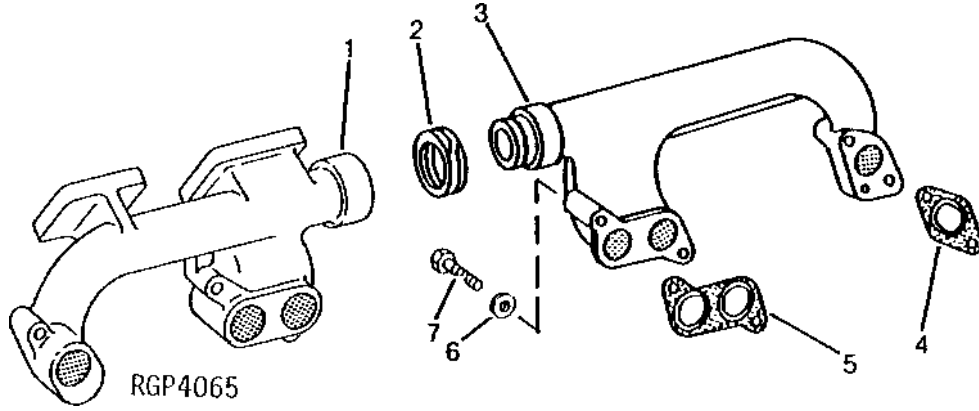
TURBOCHARGER AND OIL LINES - CONTINUED

KEY	PART NO.	PART NAME	QTY	ENGINE		REMARKS
				SERIAL NO.		
					9 9	
					6 7	
					5 5	
					0 0	
1	T11180	ELBOW FITTING	1		X X	
2	RE501618	TURBOCHARGER	1		X	(HH005) (MARKED RE501616) (REMANUFACTURED)
	RE502887	TURBOCHARGER	1		X	(HH006) (MARKED RE66524) (REMANUFACTURED)
3	R54500	SCREW	4		X X	
4	24H1305	WASHER	4		X X	13/32" X 13/16" X 0.065"
5	R92097	GASKET	1		X	(HH005)
	R89879	GASKET	1		X	(HH006)
6	R105346	GASKET	1		X X	
7	RE503537	LINE	1		X X	
8	R122618	SCREW	2		X X	
9	TY22467	CLAMP	2		X X	
10	R502036	HOSE	1		X X	
11	R72853	CLAMP	1		X X	
12	R126812	ELBOW FITTING	1		X X	
13	19H1916	CAP SCREW	2		X X	5/8" X 1"
14	24H1658	WASHER	2		X X	21/32" X 1" X 0.060"
15	19H2038	CAP SCREW	1		X X	3/8" X 1/2"
16	24H1305	WASHER	1		X X	13/32" X 13/16" X 0.065"
17	RE70664	HEAT SHIELD	1		X X	
18	14H786	NUT	1		X X	1/4"
19	24H753	WASHER	1		X X	9/32" X 5/8" X 0.049"
20	T13814	CLAMP	1		X X	
21	19H1936	CAP SCREW	1		X X	3/8" X 3/4"
22	T28862	CLAMP	1		X X	
23	RE70709	OIL LINE	1		X X	
24	RE57561	CONNECTOR	1		X X	

1D25

ENGINE

EXHAUST MANIFOLDS
RGP4065 -UN-01JAN94



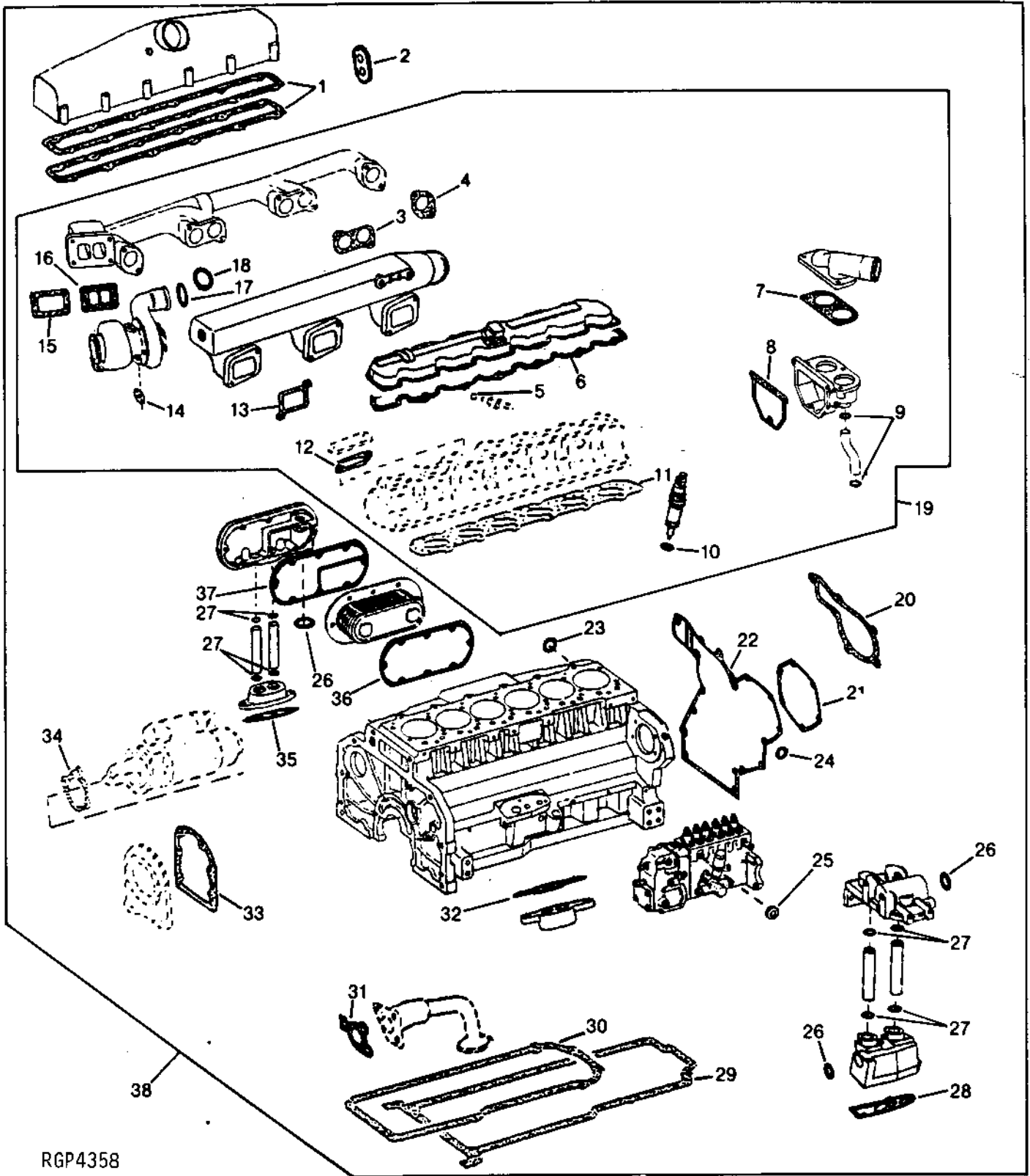
KEY	PART NO.	PART NAME	QTY	ENGINE SERIAL NO.	REMARKS
				9 9	
				6 7	
				5 5	
				0 0	
1	R127425	EXHAUST MANIFOLD	1	X X	(REAR)
2	R122595	RING	2	X X	
3	R127426	EXHAUST MANIFOLD	1	X X	(FRONT)
4	R83021	GASKET	2	X X	
5	R83020	GASKET	2	X X	
6	R63845	WASHER	8	X X	
7	19H3031	CAP SCREW	4	X X	3/8" X 2-1/2", (UPPER)
	19H3267	CAP SCREW	4	X X	3/8" X 1-5/8", (LOWER)

MEMORANDA

1E1

ENGINE

ENGINE GASKET SET
RGP4358 -UN-17SEP99



RGP4358

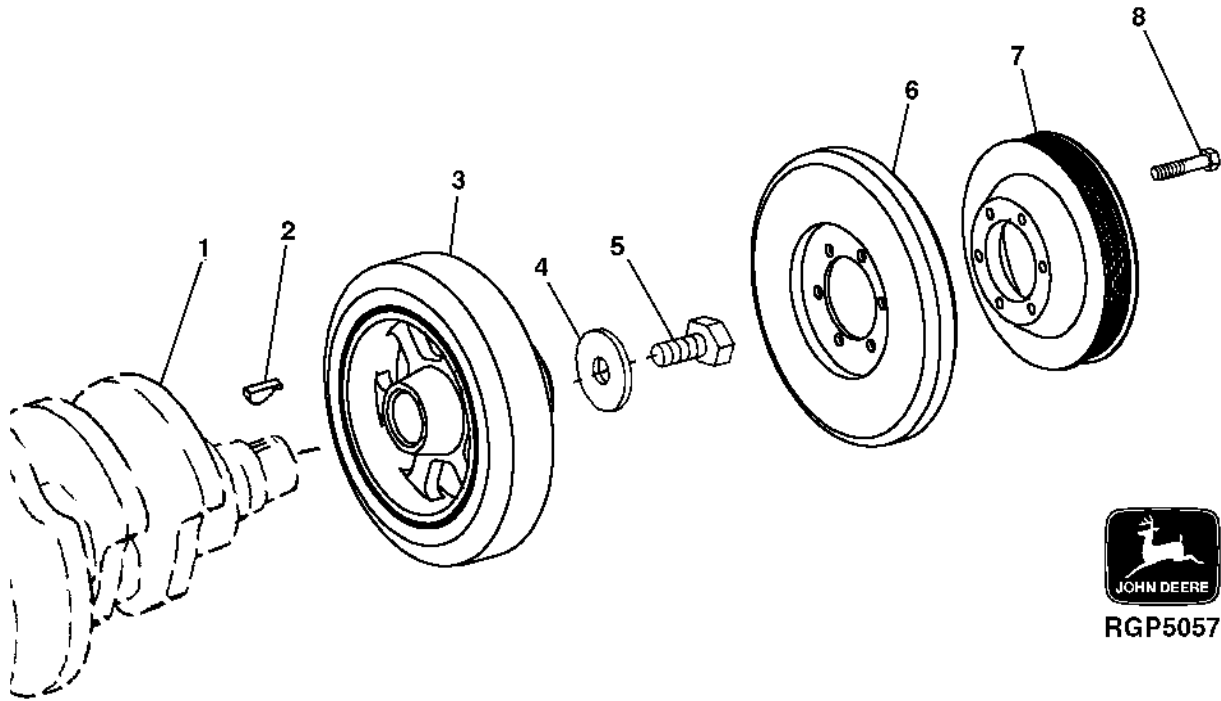
1E2

ENGINE

ENGINE GASKET SET - CONTINUED

KEY	PART NO.	PART NAME	QTY	ENGINE SERIAL NO.	REMARKS
				9 9	
				6 7	
				5 5	
				0 0	
1	GASKET	NA		
2	SEAL	NA		
3	RE62776	GASKET	2	X X	
4	RE62777	GASKET	2	X X	
5	R77551	O-RING	6	X X	
6	R49866	GASKET	1	X X	
7	R124607	GASKET	1	X X	
8	R124211	GASKET	1	X X	
9	R72328	O-RING	1	X X	
10	R84472	WASHER	6	X X	
11	RE55475	ENGINE CYLINDER HEAD GASKET	1	X X	
12	R88397	GASKET	2	X X	
13	R130573	GASKET	3	X X	
14	R105346	GASKET	1	X X	
15	R92097	GASKET	1	X	
16	R89879	GASKET	1	X	
17	O-RING	NA		
18	O-RING	NA		
19	RE57186	GASKET KIT	1	X X	CYLINDER HEAD
20	R119383	GASKET	1	X X	
21	R502011	GASKET	1	X X	
22	R119384	GASKET	1	X X	
23	U13639	O-RING	1	X X	
24	R54856	O-RING	1	X X	
25	R53899	WASHER	1	X X	(USE WITH R83489)
26	U17409	O-RING	3	X X	
27	R47153	O-RING	8	X X	
28	R119847	GASKET	1	X X	
29	GASKET	NA		
30	R49377	GASKET	1	X X	(USE WITH ALUMINIUM OIL PAN)
31	R100569	GASKET	1	X X	
32	R109625	GASKET	1	X X	
33	R26058	GASKET	1	X X	
34	R53108	GASKET	AR	X X	
35	R50424	GASKET	1	X X	
36	AR58952	GASKET	1	X X	
37	R132396	GASKET	1	X X	
38	RE57187	GASKET KIT	1	X X	ENGINE REBUILD (USE IF AVAILABLE) (SUB RE506220)
	RE506220	GASKET KIT	1	X X	ENGINE REBUILD

CRANKSHAFT PULLEY AND DAMPER
RGP5057 -UN-16NOV98



KEY	PART NO.	PART NAME	QTY	ENGINE		REMARKS
				SERIAL NO.		
				9	9	
				6	7	
				5	5	
				0	0	
1	RE55522	CRANKSHAFT	1	X	X	
2	R116311	KEY	1	X	X	
3	RE500917	TORSIONAL DAMPENER	1	X	X	
4	R26333	WASHER	1	X	X	
5	R79846	CAP SCREW	1	X	X	
6	RE57604	TORSIONAL DAMPENER	1	X	X	
7	R135175	PULLEY	1	X	X	
8	19H2633	CAP SCREW	3	X	X	3/8" X 1-1/2"

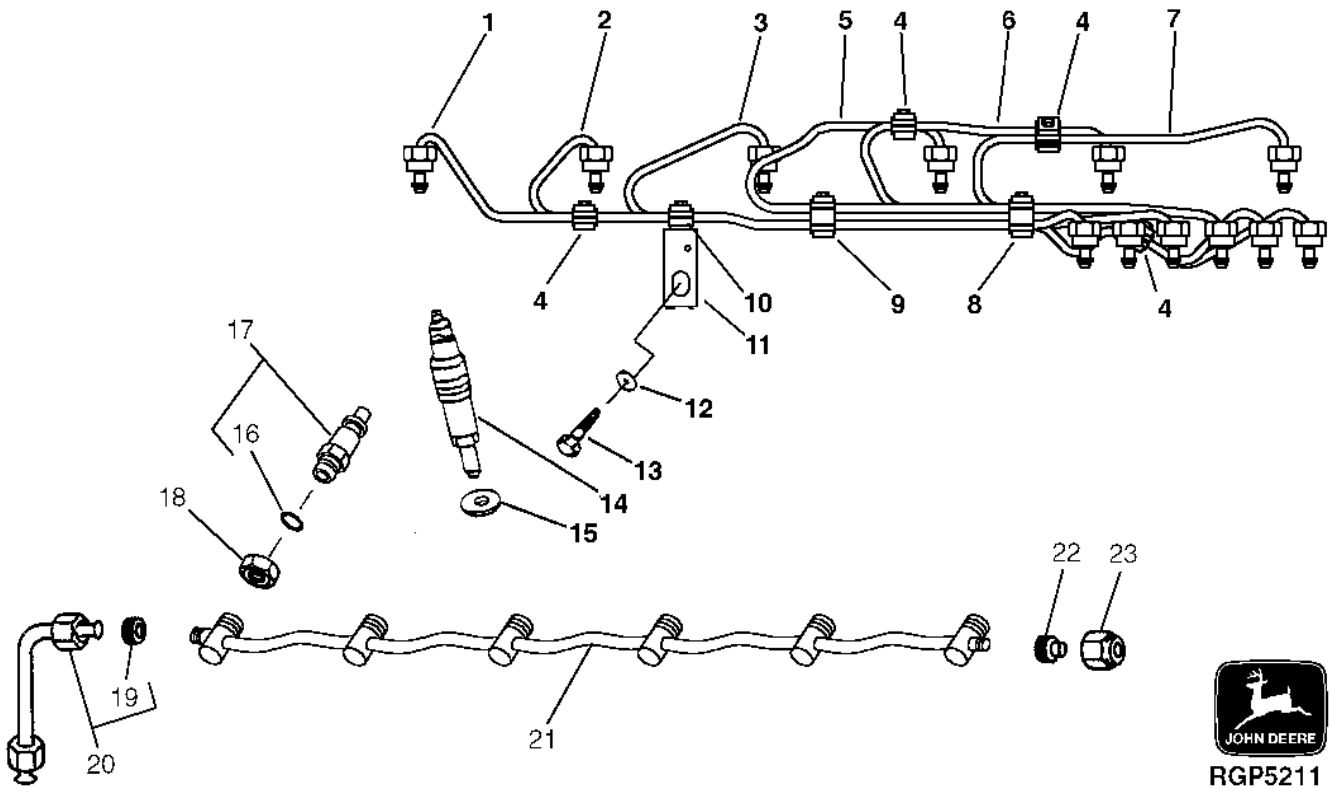
MEMORANDA

1E6

FUEL AND AIR

FUEL INJECTION NOZZLES / FUEL LINES

RGP5211 -UN-25MAY99



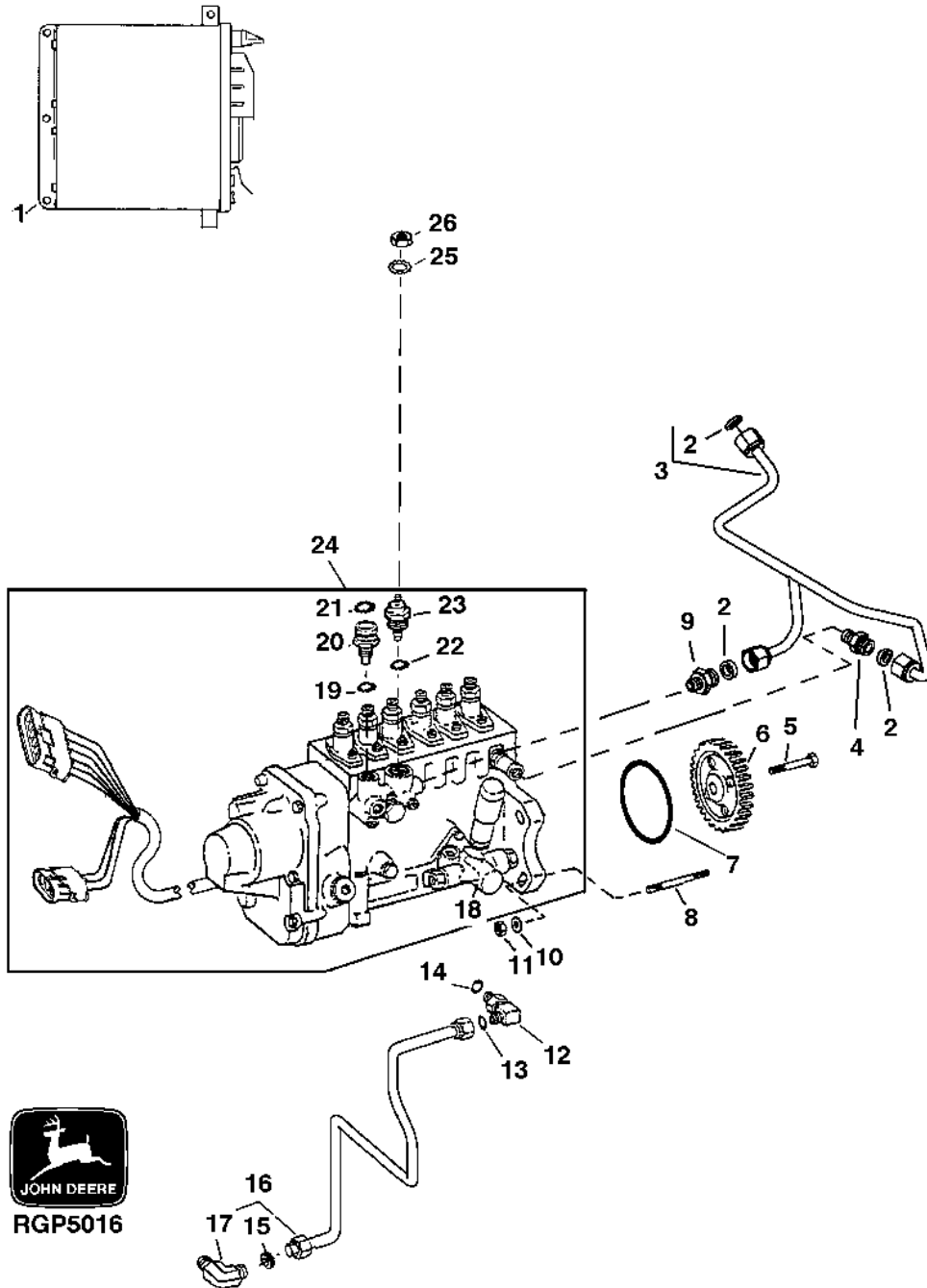
FUEL INJECTION NOZZLES / FUEL LINES - CONTINUED

KEY	PART NO.	PART NAME	QTY	ENGINE		REMARKS
				SERIAL NO.		
					9 9	
					6 7	
					5 5	
					0 0	
1	RE57151	FUEL LINE	1		X X	NO. 6
2	RE57150	FUEL LINE	1		X X	NO. 5
3	RE57149	FUEL LINE	1		X X	NO. 4
4	R120185	BOLT	4		X X	
	R120181	STRAP	4		X X	
	R58186	CLAMP	8		X X	
	R120182	STRAP	4		X X	
5	RE57148	FUEL LINE	1		X X	NO. 3
6	RE502933	FUEL LINE	1		X X	NO. 2
7	RE502932	FUEL LINE	1		X X	NO. 1
8	R120186	BOLT	2		X X	
	R120183	STRAP	1		X X	
	R71212	CLAMP	1		X X	
	R59297	HALF CLAMP	2		X X	
	R120184	STRAP	1		X X	
9	R120186	BOLT	2		X X	
	R120183	STRAP	1		X X	
	R71212	CLAMP	1		X X	
	R59297	HALF CLAMP	2		X X	
	R120184	STRAP	1		X X	
10	R120185	BOLT	2		X X	
	R120183	STRAP	1		X X	
	R59297	HALF CLAMP	2		X X	
11	RE55662	ABSORBER	1		X X	
12	24H1884	WASHER	1		X X	13/32" X 13/16" X 0.120"
13	19M7166	CAP SCREW	1		X X	M10 X 20
14	RE63073	INJECTION NOZZLE	6		X	(HH005) ROBERT BOSCH (2 RED DOTS)
	RE57152	INJECTION NOZZLE	6		X	(HH006) ROBERT BOSCH (2 ORANGE DOTS)
	SE500182	INJECTION NOZZLE	6		X	(HH006) REMANUFACTURED
15	R84472	WASHER	6		X X	
16	T44604	O-RING	6		X X	
17	RE501970	CONNECTOR	6		X X	
18	R79604	TUBE NUT	6		X X	
19	R51936	PACKING	1		X X	
20	RE503256	FUEL LINE	1		X X	
21	RE500803	FUEL LINE	1		X X	
22	AR85519	PLUG	1		X X	
23	R51937	TUBE NUT	1		X X	

1E8

FUEL INJECTION PUMP / LUBE LINES / ENGINE CONTROLLER

RGP5016 -UN-15APR98



FUEL INJECTION PUMP / LUBE LINES / ENGINE CONTROLLER - CONTINUED

KEY	PART NO.	PART NAME	QTY	ENGINE		REMARKS
				SERIAL NO.		
					9 9	
					6 7	
					5 5	
					0 0	
1	RE504767	ENGINE CONTROLLER	1		X	(HH005) (MARKED RE502404) (SUB RE506258)
	RE506258	ENGINE CONTROLLER	1		X	(HH005) (MARKED RE502404)
	RE504179	ENGINE CONTROLLER	1		X	(HH006) (MARKED RE502404) (SUB RE506259)
	RE506259	ENGINE CONTROLLER	1		X	(HH006) (MARKED RE502404)
2	R51936	PACKING	3		X X	
3	RE501262	FUEL LINE	1	-XXXXXX	X X	
	RE504635	FUEL LINE	1	XXXXXX-	X X	
4	RE502650	FITTING	1		X X	
5	R121195	CAP SCREW	4		X X	
6	R121164	GEAR	1		X X	
7	R76358	O-RING	1		X X	
8	R114130	STUD	4		X X	
9	RE67934	CONNECTOR	1		X X	
10	M72490	WASHER	4		X X	
11	14H1090	NUT	4		X X	3/8"
12	AR88903	ELBOW FITTING	1		X X	
13	R67264	PACKING	1		X X	
14	R79060	O-RING	1		X X	
15	R67264	PACKING	1		X X	
16	RE60577	OIL LINE	1		X X	
17	T18012	ELBOW FITTING	1		X X	
18	RE46375	FUEL PUMP	1		X X	
19	R53899	WASHER	1		X X	
20	RE28217	FUEL TEMPERATURE SENSOR	1		X X	(TEMPERATURE)
21	R98500	O-RING	1		X X	
22	R99047	O-RING	1		X X	
23	R89014	SOLENOID	1		X X	(SHUT-OFF HOUSING)
24	RE61658	FUEL INJECTION PUMP	1		X	(A) (HH006) (ROBERT BOSCH)
	RE501867	FUEL INJECTION PUMP	1		X	(A) (HH005) (ROBERT BOSCH)
25	12H296	WASHER	1		X X	0.216"
26	14M7297	NUT	1		X X	M5

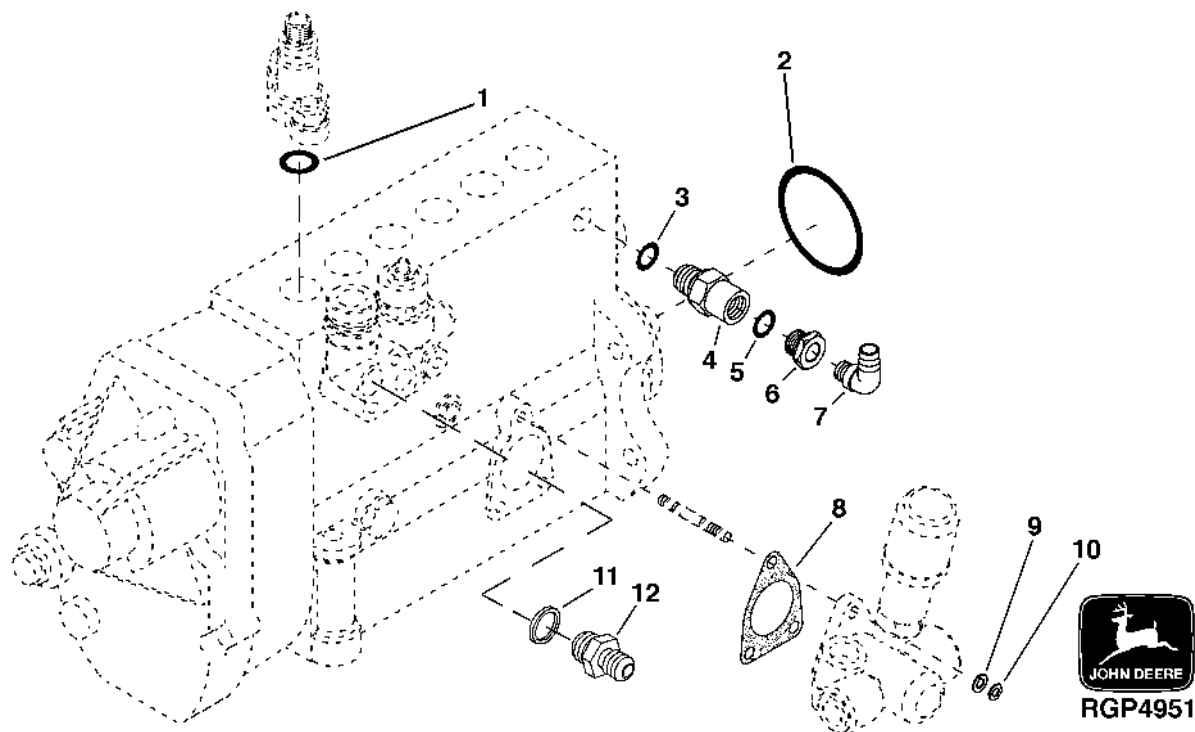
(A) "SEE YOUR AUTHORIZED PUMP REPAIR STATION FOR PARTS NOT LISTED"

1E10

FUEL AND AIR

FUEL INJECTION PUMP HOUSING CONNECTORS

RGP4951 -UN-25AUG97



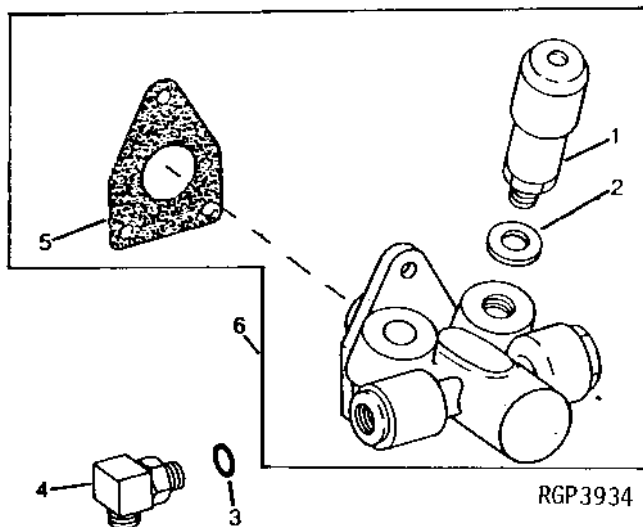
KEY	PART NO.	PART NAME	QTY	ENGINE SERIAL NO.		REMARKS
				9	0	
				6	7	
1	T24210	O-RING	6	X	X	
2	R76358	O-RING	1	X	X	
3	R53899	WASHER	1	X	X	
4	RE36151	CONTROL VALVE	1	X	X	
5	R53901	WASHER	1	X	X	
6	R63016	ADAPTER	1	X	X	
7	ELBOW FITTING	NA			
8	R67879	GASKET	1	X	X	
9	12H296	WASHER	3	X	X	0.216"
10	14M7297	NUT	3	X	X	M5
11	R93008	WASHER	1	X	X	
12	R83489	FITTING	1	X	X	

1E11

FUEL AND AIR

FUEL TRANSFER PUMP (ROBERT BOSCH)

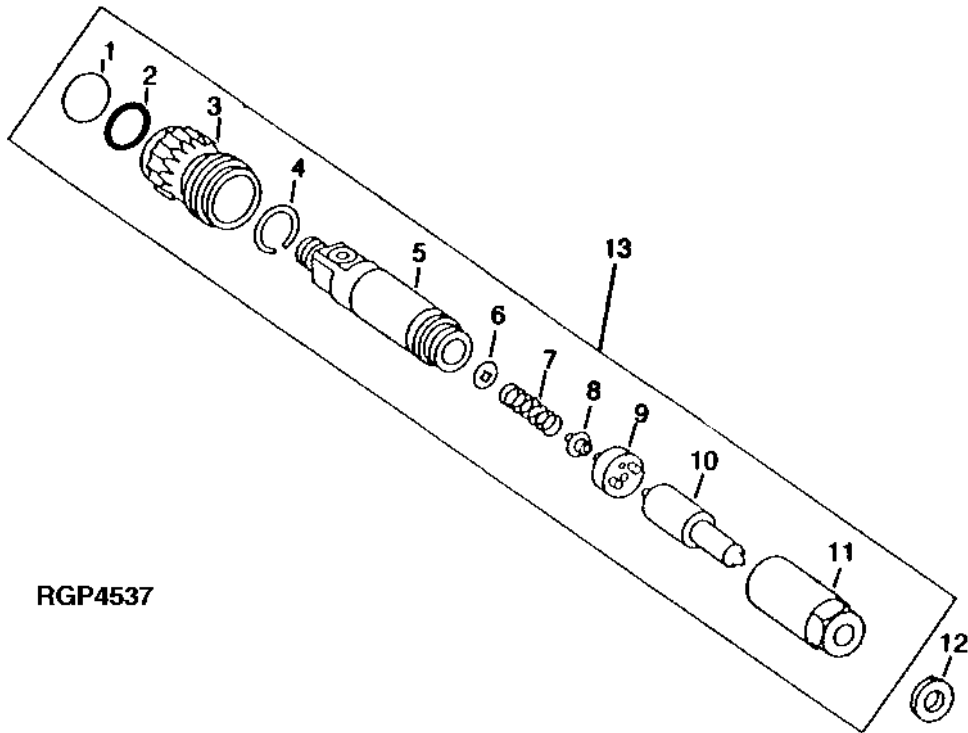
RGP3934 -UN-01JAN94



KEY	PART NO.	PART NAME	QTY	ENGINE		REMARKS
				SERIAL NO.		
				9 9		
				6 7		
				5 5		
				0 0		
1	RE65265	HAND PRIMER	1	X	X	
2	R54025	WASHER	1	X	X	
3	R26448	O-RING	2	X	X	
4	RE10258	ELBOW FITTING	1	X	X	(OUTLET)
	RE34128	ELBOW FITTING	1	X	X	(INLET)
5	R67879	GASKET	1	X	X	
6	RE46375	FUEL PUMP	1	X	X	

1E12

FUEL INJECTION NOZZLE (ROBERT BOSCH)
RGP4537 -UN-30AUG95



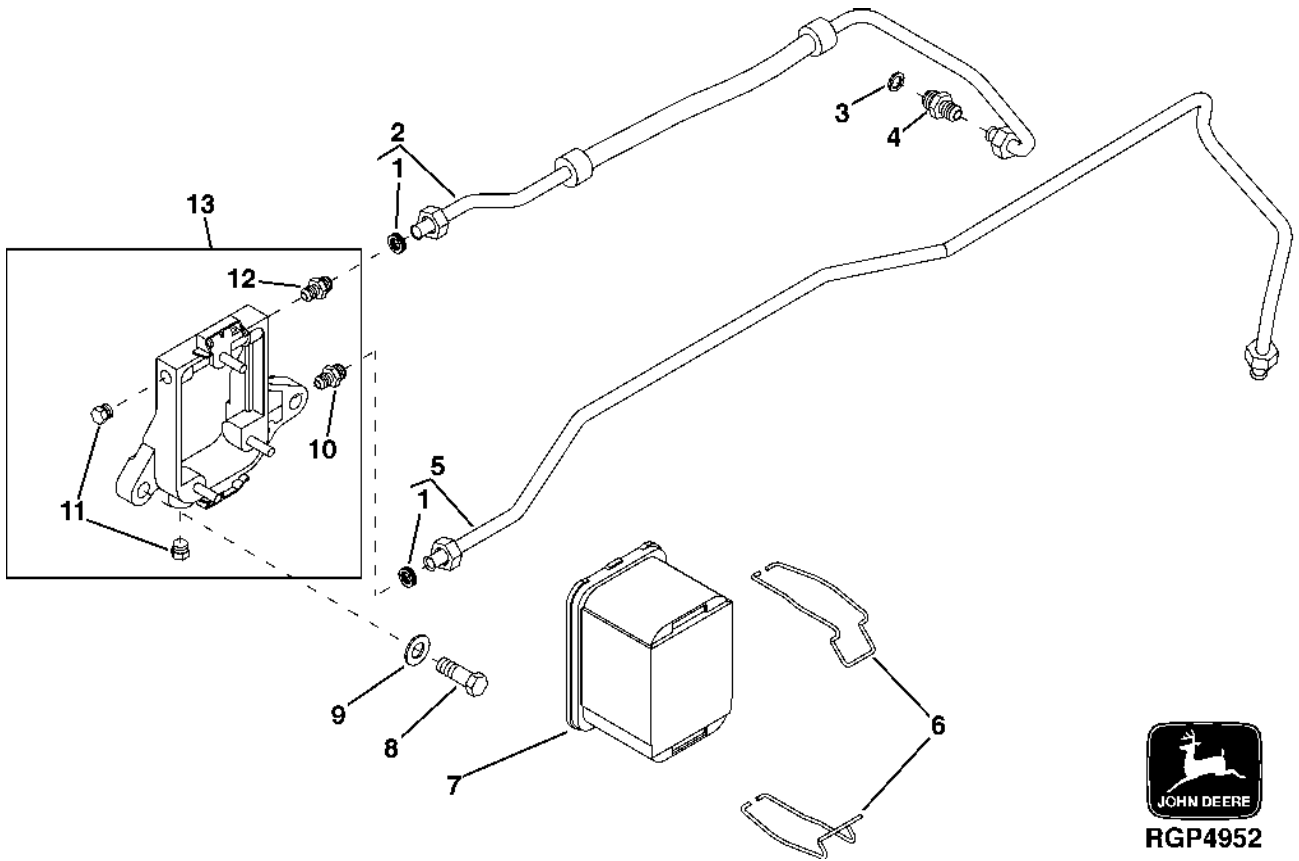
RGP4537

FUEL INJECTION NOZZLE (ROBERT BOSCH) - CONTINUED

KEY	PART NO.	PART NAME	QTY	ENGINE		REMARKS
				SERIAL NO.		
					9 9	
					6 7	
					5 5	
					0 0	
1	R60277	SNAP RING	1		X X	
2	O-RING	1		X X	
3	R60279	NUT	1		X X	
4	R60278	SNAP RING	1		X X	
5	NOZZLE HOLDER	1		X	(HH006) (SUB RE57152 OR SE500182)
	NOZZLE HOLDER	1		X	(HH005) (SUB RE63073)
6	R83720	WASHER	1		X X	1.02 MM (.0402")
	R83721	WASHER	1		X X	1.08 MM (.0425")
	R83722	WASHER	1		X X	1.12 MM (.0441")
	R83723	WASHER	1		X X	1.18 MM (.0465")
	R83724	WASHER	1		X X	1.22 MM (.0480")
	R83725	WASHER	1		X X	1.28 MM (.0504")
	R83726	WASHER	1		X X	1.30 MM (.0512")
	R83727	WASHER	1		X X	1.38 MM (.0543")
	R83728	WASHER	1		X X	1.42 MM (.0559")
	R83729	WASHER	1		X X	1.48 MM (.0583")
	R83730	WASHER	1		X X	1.50 MM (.0591")
	R83731	WASHER	1		X X	1.58 MM (.0622")
	R83732	WASHER	1		X X	1.60 MM (.0630")
	R83733	WASHER	1		X X	1.68 MM (.0661")
	R83734	WASHER	1		X X	1.70 MM (.0669")
	R83735	WASHER	1		X X	1.78 MM (.0701")
	R83736	WASHER	1		X X	1.82 MM (.0717")
	R83737	WASHER	1		X X	1.88 MM (.0740")
	R83738	WASHER	1		X X	1.90 MM (.0748")
	R83739	WASHER	1		X X	1.98 MM (.0780")
7	R108699	SPRING	1		X X	
8	R108700	SEAT	1		X X	
9	R108701	PLATE	1		X X	
10	RE57153	INJECTION NOZZLE	1		X	(HH006) (7 X 0.236)
	RE64533	INJECTION NOZZLE	1		X	(HH005) (7 X 0.244)
11	R127181	NUT	1		X X	
12	R84472	WASHER	1		X X	
13	RE57152	INJECTION NOZZLE	6		X	(HH006) (ROBERT BOSCH) (2 ORANGE DOTS)
	SE500182	INJECTION NOZZLE	6		X	REMANUFACTURED (HH006) (ROBERT BOSCH) (2 ORANGE DOTS)
	RE63073	INJECTION NOZZLE	6		X	(HH005) (ROBERT BOSCH) (2 RED DOTS)

1E14

FUEL FILTER
RGP4952 -UN-22AUG97



RGP4952

1E15

FUEL AND AIR

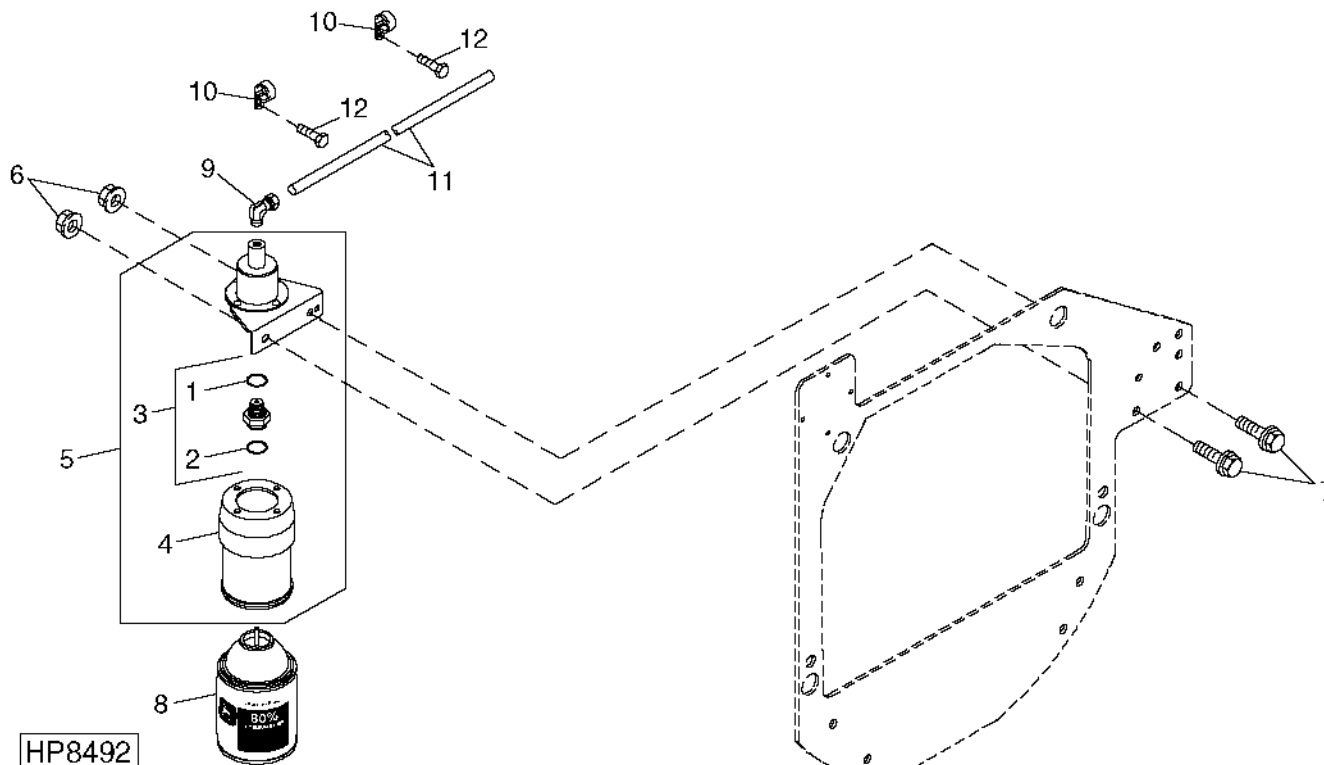
FUEL FILTER - CONTINUED

KEY	PART NO.	PART NAME	QTY	ENGINE	9 9	REMARKS
				SERIAL NO.	6 7	
				5 5	0 0	
1	R67092	SEAL	2		X X	
2	RE504139	FUEL LINE	1		X X	
3	R93008	WASHER	1		X X	
4	R83489	FITTING	1		X X	
5	RE65787	FUEL LINE	1		X X	
6	R89927	CLAMP	2		X X	
7	AR86745	FILTER ELEMENT	1		X X	
8	19H3104	CAP SCREW	2		X X	7/16" X 1-1/4"
9	24H1325	WASHER	2		X X	15/32" X 59/64" X 0.065"
10	RE54244	CHECK VALVE	1		X X	
11	R119223	PLUG	2		X X	
12	RE54245	FITTING	1		X X	
13	RE61693	BASE	1		X X	

1E16

COLD WEATHER STARTING AID

HP8492 -UN-01JUN99

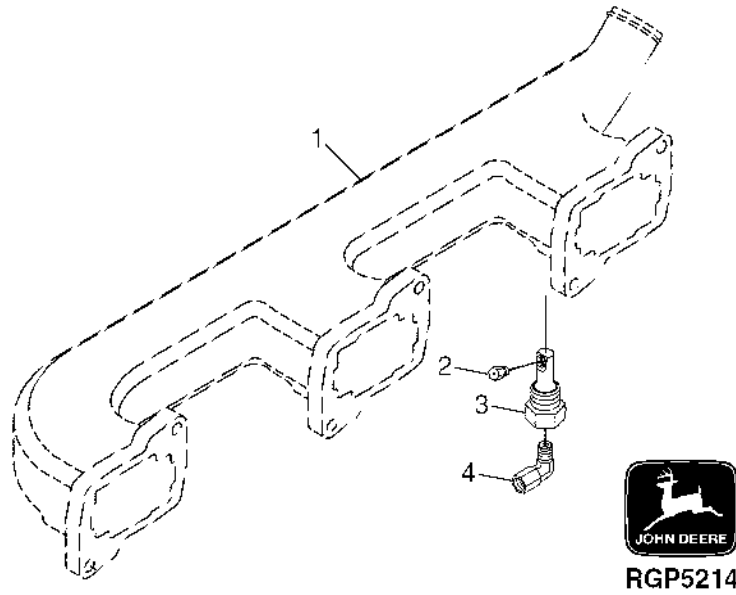


9 9
6 7
5 5
0 0

KEY	PART NO.	PART NAME	QTY	SERIAL NO.	REMARKS
1	T15712	O-RING	1	X X	
2	T13119	O-RING	1	X X	
3	RE48321	ADAPTER	1	X X	
4	R73498	CONTAINER	1	X X	
5	RE48310	STARTING AID SOLENOID	1	X X	
6	14M7298	FLANGE NUT	2	X X	M8
7	19M7865	SCREW	2	X X	M8 X 16
8	RE33636	STARTING FLUID	1	X X	
9	RE21790	ELBOW FITTING	1	X X	
10	T32231	CLAMP	AR	X X	
11	FUEL LINE	1	X X	57", (CUT FROM H86108)
12	19M7774	SCREW	2	X X	M6 X 12

1E17

ETHER AID
RGP5214 -UN-11JUN99

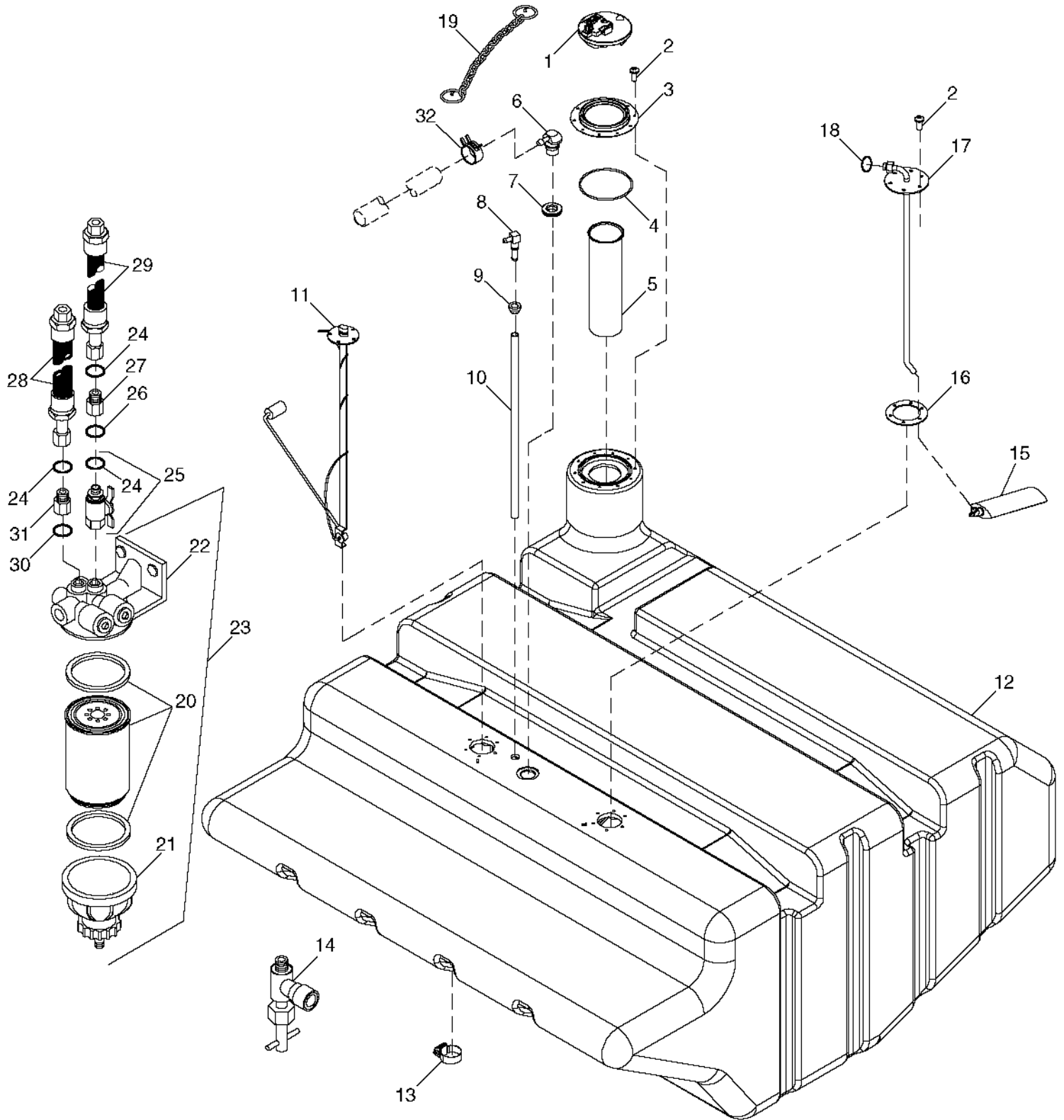


KEY	PART NO.	PART NAME	QTY	ENGINE SERIAL NO.	9 9	REMARKS
					6 7	
					5 5	
					0 0	
1	R132290	INTAKE MANIFOLD	1		X X	
2	T155858	NOZZLE	1		X X	
3	R47160	NOZZLE HOLDER	1		X X	
4	RE21790	ELBOW FITTING	1		X X	

1E18

FUEL AND AIR

FUEL TANK AND FITTINGS
HP9501 -UN-21JAN00



HP9501

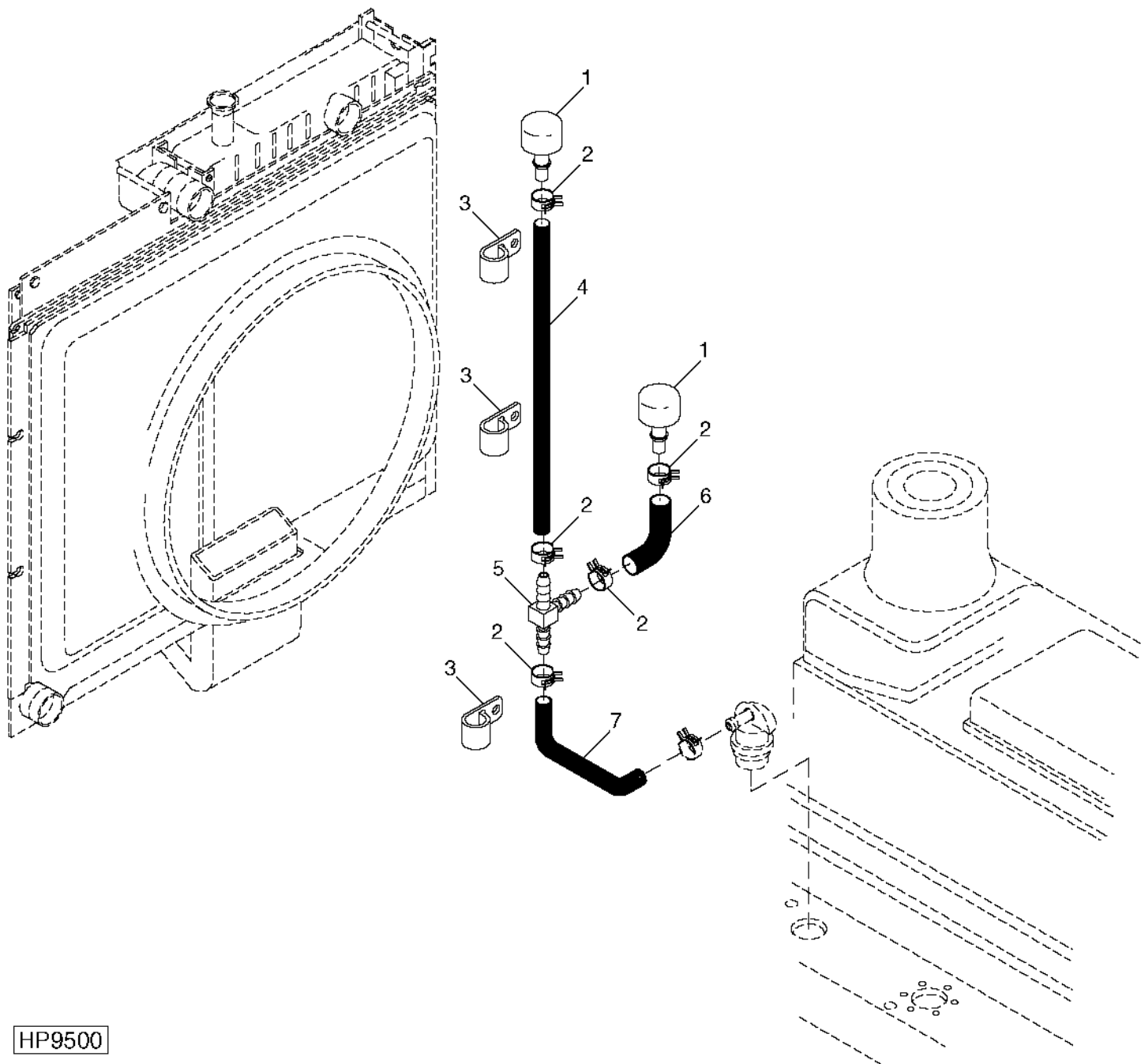
FUEL TANK AND FITTINGS - CONTINUED

KEY	PART NO.	PART NAME	QTY	SERIAL NO.	9 9 6 7 5 5 0 0	REMARKS
1	AH163173	FILLER CAP	1		X X	
2	21M7278	SCREW	16		X X	M5 X 10
3	AH159573	RING	1		X X	
4	H165678	O-RING	1		X X	
5	AH159447	STRAINER	1		X X	
6	R114022	VENT	1	-685767	X	
	R114022	VENT	1	-685802	X	
	H174011	VENT	1	685768-	X	
	H174011	VENT	1	685803-	X	
7	R114023	GROMMET	1		X X	
8	H169735	FITTING	1		X X	
9	R133394	GROMMET	1		X X	
10	H169736	TUBE	1		X X	
11	AH163129	FUEL SENDER	1		X X	
12	AH148873	TANK	1		X X	
13	AT18904	CLAMP	1		X X	
14	AT35831	VALVE	1		X X	
15	AH155212	FILTER	1		X X	
16	R95430	GASKET	1		X X	
17	AH163367	FUEL PICKUP	1		X X	
18	T77613	O-RING	1		X X	
19	AH159448	LINK CHAIN	1		X X	
20	RE500186	FUEL FILTER	1		X X	
21	RE500187	SEDIMENT BOWL	1		X X	
22	BRACKET	1		X X	
23	AH162210	FILTER	1		X X	
24	R26448	O-RING	3		X X	
25	AH163186	VALVE	1		X X	
26	T77613	O-RING	1		X X	
27	38H1160	ADAPTER	1		X X	
28	AH153164	HOSE	1		X X	TO ENGINE
29	AH163303	HOSE	1		X X	TO FUEL TANK
30	T77857	O-RING	1		X X	
31	38H1173	ADAPTER	1		X X	
32	R56101	CLIP	1		X X	

1E20

FUEL TANK DOUBLE BREATHER AND VENT

HP9500 -UN-21JAN00



HP9500

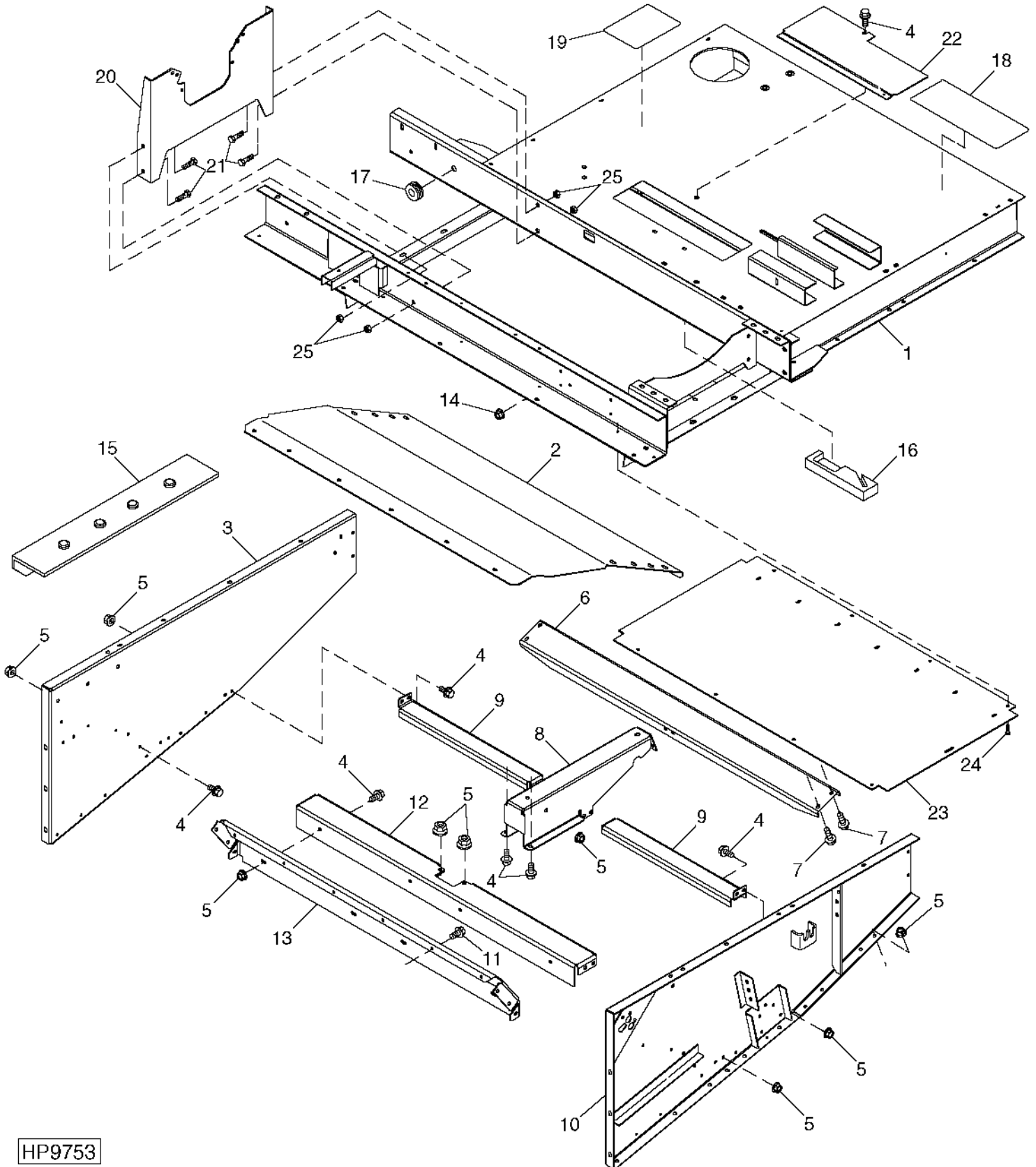
FUEL TANK DOUBLE BREATHER AND VENT - CONTINUED

KEY	PART NO.	PART NAME	QTY	SERIAL NO.	REMARKS
				9 9	
				6 7	
				5 5	
				0 0	
1	RE52504	BREATHER	2		
2	R56101	CLIP	5	X X	
3	AH89557	CLIP	3	X X	
4	HOSE	1	X X	500MM, (CUT FROM TY22551)
5	N154080	TEE FITTING	1	X X	
6	HOSE	1	X X	220MM, (CUT FROM TY22551)
7	HOSE	1	X X	2100MM, (CUT FROM TY22551)

1E22

FUEL AND AIR

ENGINE PLATFORM AND FUEL TANK SUPPORTS
HP9753 -UN-10MAY00



HP9753

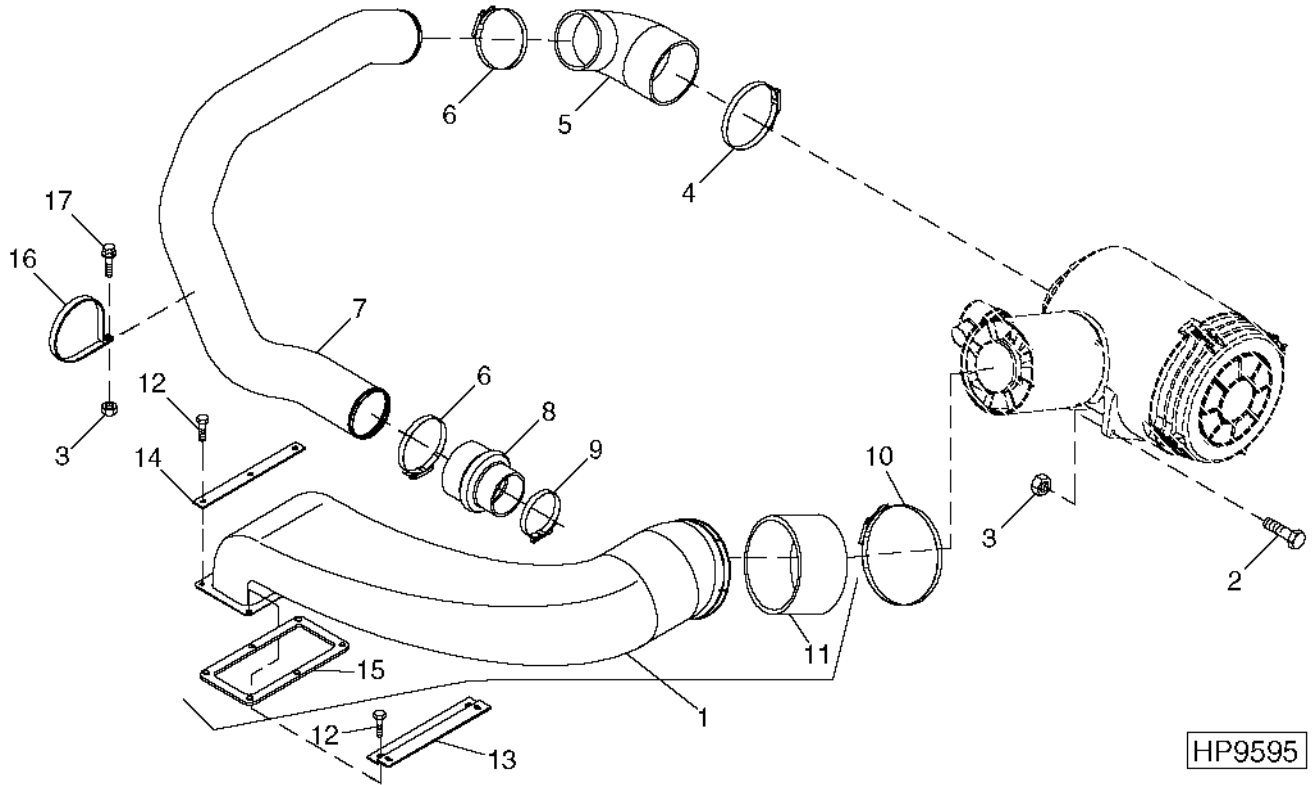
ENGINE PLATFORM AND FUEL TANK SUPPORTS

KEY	PART NO.	PART NAME	QTY	SERIAL NO.	REMARKS
				9 9	
				6 7	
				5 5	
				0 0	
1	AH148618	FRAME	1	X X	
2	H170783	DEFLECTOR	1	X X	
3	AH147923	EXTENSION	1	X X	
4	19M7784	SCREW	27	X X	M10 X 20
5	14M7296	FLANGE NUT	26	X X	M10
6	H157681	SUPPORT	1	X X	
7	19M7786	SCREW	4	X X	M10 X 30
8	H161095	SUPPORT	1	X X	
9	H160987	SUPPORT	2	X X	
10	AH163735	EXTENSION	1	X X	
11	19M7866	SCREW	6	X X	M8 X 20
12	AH155271	CHANNEL	1	X X	
13	H170785	SUPPORT	1	X X	
14	14M7298	FLANGE NUT	6	X X	M8
15	AH164492	ANGLE	2	X X	
16	H173977	SEAL	1	X X	(SUB FOR H166593)
17	H169690	GROMMET	1	X X	
18	H136014	MAT	1	X X	
19	H136015	MAT	1	X X	
20	H153761	PLATE	1	X X	
21	19M7789	SCREW	4	X X	M12 X 30
22	H156764	DOOR	1	X X	
23	H153674	SHEET	1	X X	
24	37M7083	SCREW	4	X X	M8 X 12
25	14M7299	FLANGE NUT	4	X X	M12

1E24

FUEL AND AIR

AIR CLEANER AND HOSES
HP9595 -UN-09MAR00



HP9595

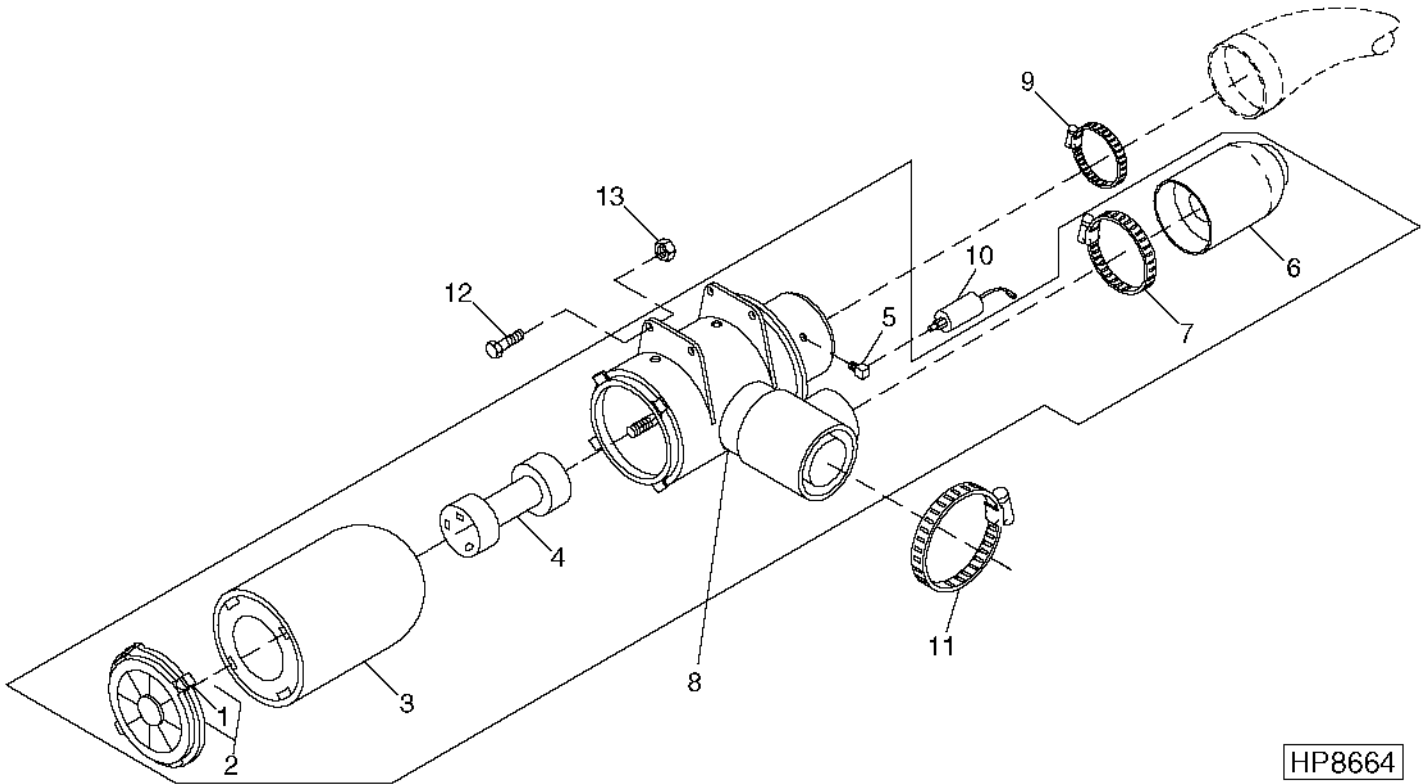
KEY	PART NO.	PART NAME	QTY	SERIAL NO.	REMARKS
				9 9	
				6 7	
				5 5	
				0 0	
1	AH149865	AIR DUCT	1	X X	
2	19M7798	SCREW	4	X X	M8 X 40
3	14M7298	FLANGE NUT	5	X X	M8
4	AT131716	HOSE CLAMP	1	X X	
5	H157883	HOSE	1	X X	
6	AH166939	CLAMP	2	X X	
7	H168253	COVER	1	X X	
8	R97097	HOSE	1	X X	
9	AT56657	HOSE CLAMP	1	X X	
10	AH130230	HOSE CLAMP	1	X X	
11	H164771	SLEEVE	1	X X	
12	19M7867	SCREW	5	X X	M8 X 25
13	H168937	BRACKET	1	X X	
14	H168936	PLATE	1	X X	
15	H166462	GASKET	1	X X	
16	H166385	CLAMP	1	X X	
17	19M7866	SCREW	1	X X	M8 X 20

1E25

FUEL AND AIR

AIR CLEANER

HP8664 -UN-02JUL99



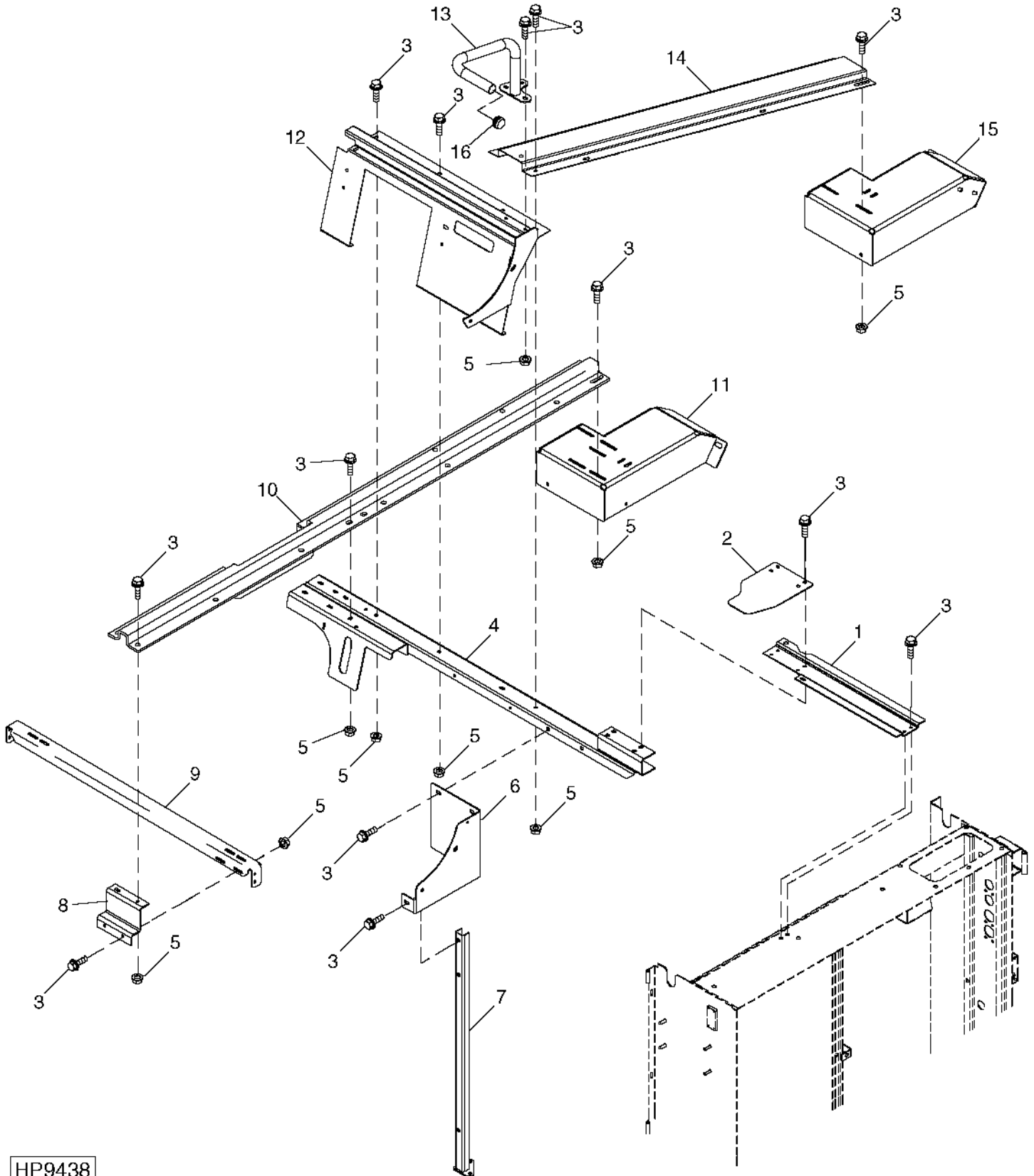
HP8664

KEY	PART NO.	PART NAME	QTY	SERIAL NO.	REMARKS
				9 9	
				6 7	
				5 5	
				0 0	
1	AH157554	LATCH	1	X X	
2	AH157555	COVER	1	X X	
3	AH148880	FILTER ELEMENT	1	X	(ILLUSTRATED)
	AH164062	FILTER	1	X	
4	RE63932	FILTER ELEMENT	1	X	(ILLUSTRATED)
	AH164063	FILTER	1	X	
5	H164849	ELBOW FITTING	1	X X	
6	RE65440	VALVE	1	X X	
7	AN130930	HOSE CLAMP	1	X X	
8	AH152098	AIR CLEANER	1	X	(ILLUSTRATED)
	AH163980	AIR CLEANER	1	X	
9	AT131716	HOSE CLAMP	2	X X	
10	AH148259	SWITCH	1	X X	VACUUM SENSOR
11	AH130230	HOSE CLAMP	1	X X	
12	19M8318	SCREW	6	X X	M8 X 45
13	14M7298	FLANGE NUT	10	X X	M8

1F1

AIR CLEANER BRACKETS AND SUPPORTS

HP9438 -UN-16DEC99



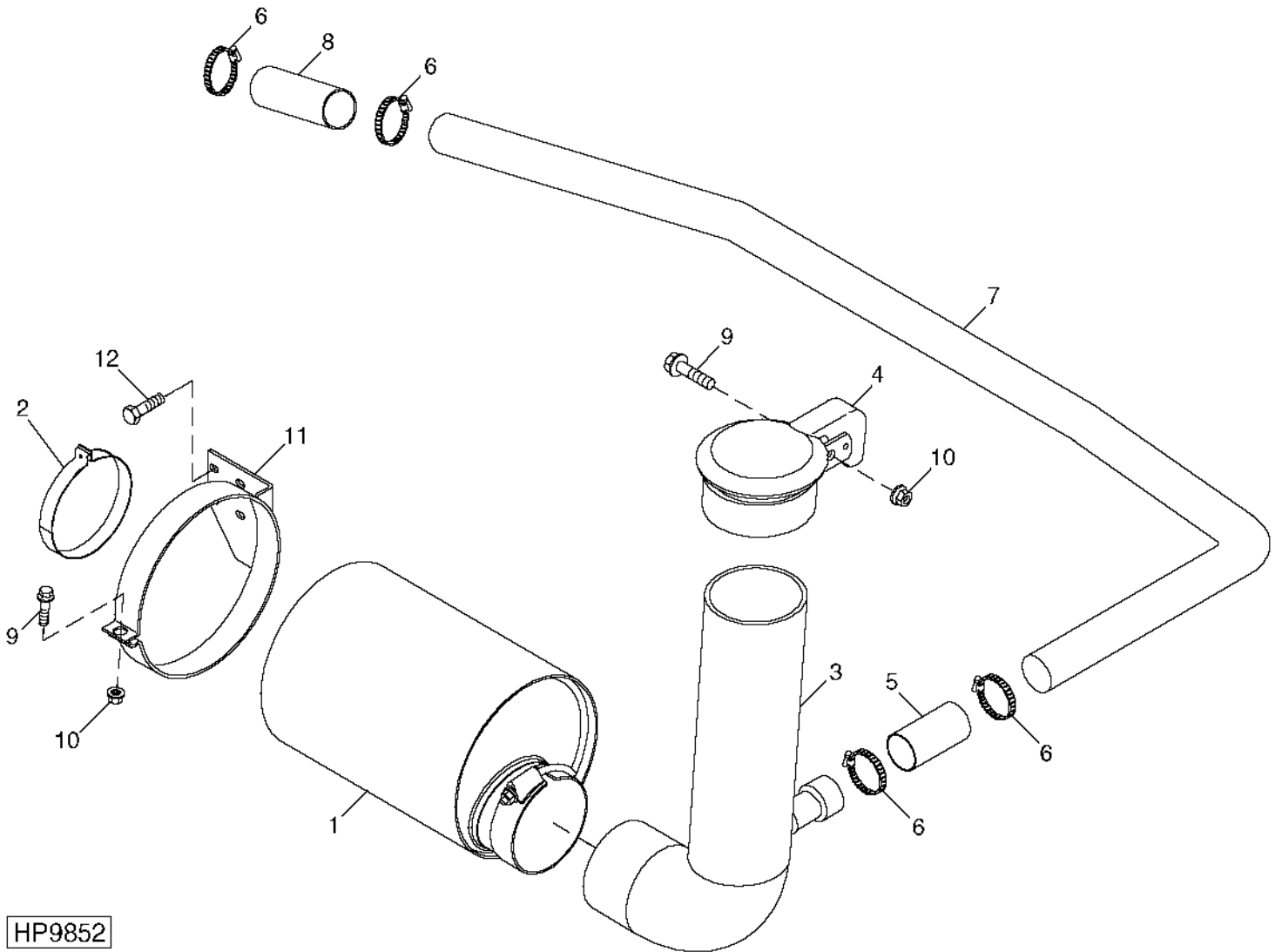
HP9438

AIR CLEANER BRACKETS AND SUPPORTS - CONTINUED

KEY	PART NO.	PART NAME	QTY	SERIAL NO.	REMARKS
				9 9	
				6 7	
				5 5	
				0 0	
1	H168480	CHANNEL	1	X X	
2	H168935	PLATE	1	X X	
3	19M7867	SCREW	29	X X	M8 X 25
4	AH163786	CHANNEL	1	X X	
5	14M7298	FLANGE NUT	29	X X	M8
6	H169538	BRACKET	1	X X	
7	AH160025	SUPPORT	1	X X	
8	H166502	BRACKET	1	X X	
9	H164089	ANGLE	1	X X	
10	AH167670	CHANNEL	1	X X	(SUB FOR AH159366)
11	AH159487	SUPPORT	1	X X	
12	AH163886	BRACKET	1	X X	
13	AH159762	HANDLE	1	X X	
14	AH160116	CHANNEL	1	X X	
15	AH159488	SUPPORT	1	X X	
16	H165547	PLUG	1	X X	

1F3

MUFFLER AND EJECTOR
HP9852 -UN-07JUN00



HP9852

1F4

FUEL AND AIR

MUFFLER AND EJECTOR - CONTINUED

KEY	PART NO.	PART NAME	QTY	SERIAL NO.	9 9 6 7 5 5 0 0	REMARKS
1	AH162654	MUFFLER	1		X X	
2	RE40048	CLAMP	1		X X	
3	AH162655	MUFFLER	1		X X	
4	AR86605	CAP	1		X X	
5	H168343	HOSE	1		X X	
6	AR21840	CLAMP	4		X X	
7	H168327	TUBE	1		X X	
8	H168343	HOSE	1		X X	
9	19M7868	SCREW	2		X X	M8 X 30
10	14M7298	FLANGE NUT	2		X X	M8
11	AH163616	BRACKET	1		X X	
12	19H3065	CAP SCREW	2		X X	3/8" X 2"

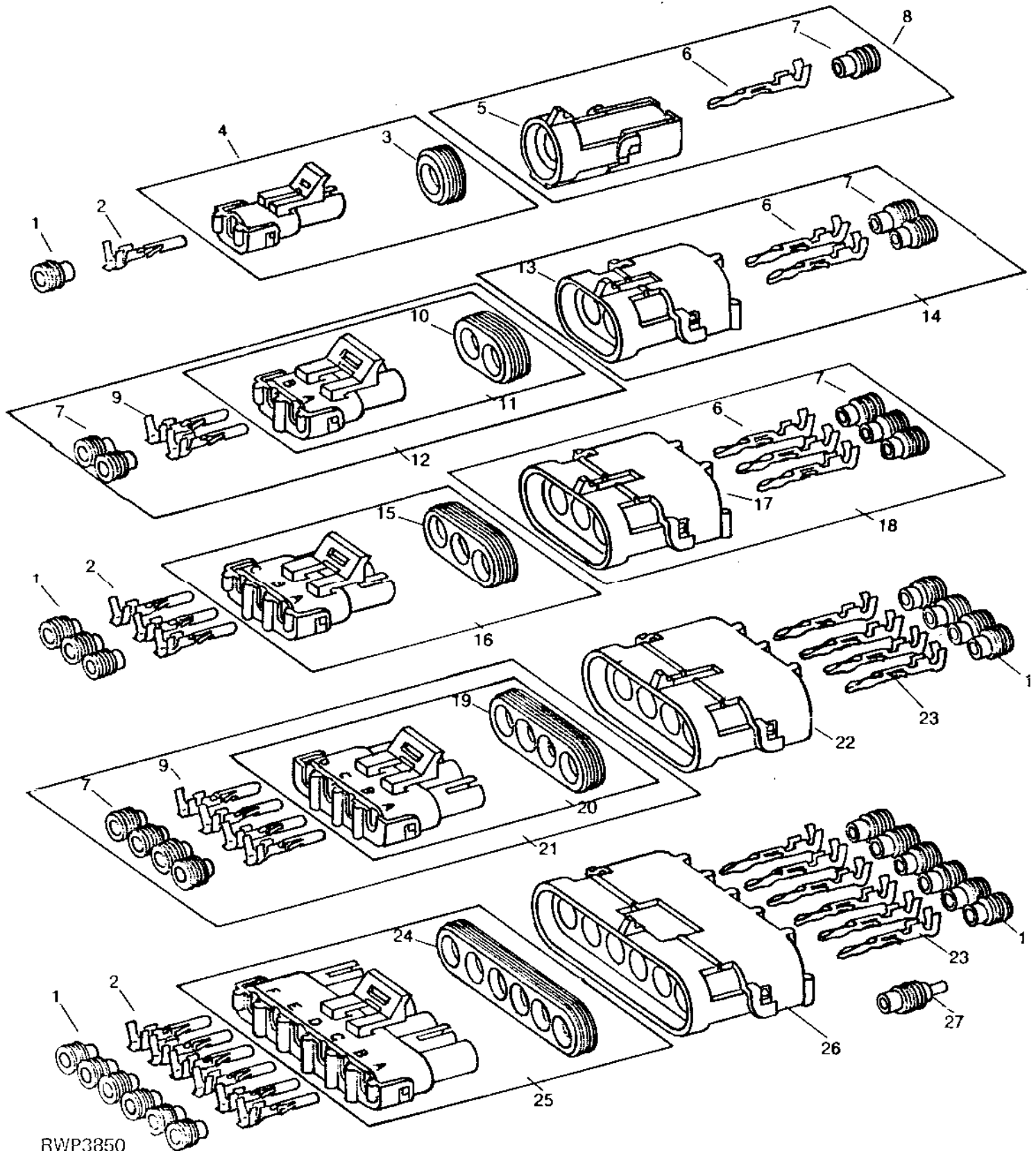
MEMORANDA

MEMORANDA

1F8

ELECTRICAL

WEATHERPACK TERMINALS AND CONNECTORS
RWP3850 -UN-01JAN94



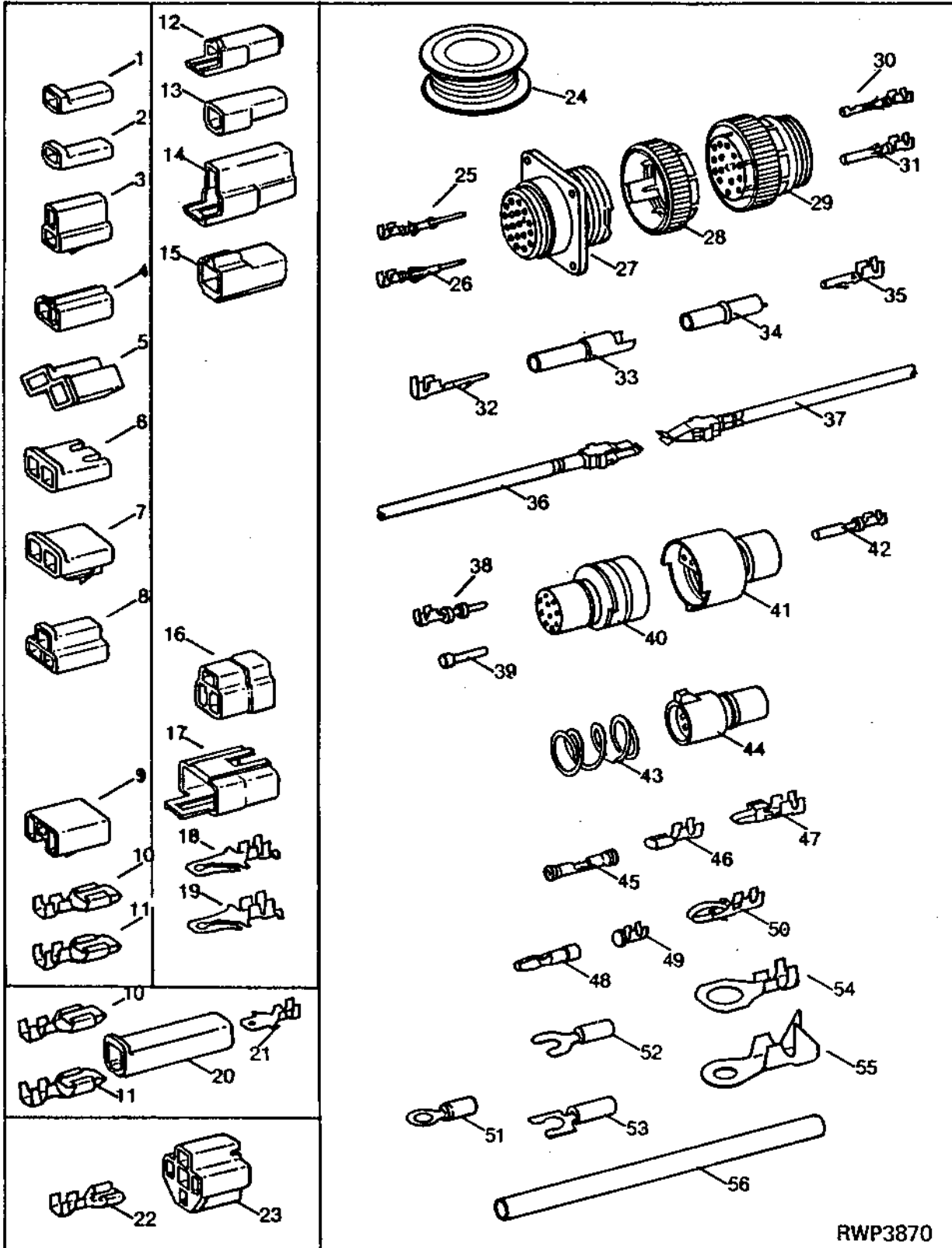
WEATHERPACK TERMINALS AND CONNECTORS - CONTINUED

KEY	PART NO.	PART NAME	QTY	SERIAL NO.	REMARKS
				9 9	
				6 7	
				5 5	
				0 0	
1	R78063	TERMINAL NIPPLE	1	X X	(PKG. OF 40) (16 GA. WIRE) (GRAY)
	R78059	ELECTRICAL PLUG	1	X X	(PKG. OF 40) (18 OR 20 GA. WIRE) (GREEN)
	R78062	TERMINAL NIPPLE	1	X X	(PKG. OF 40) (14 GA. WIRE) (BLUE)
2	R78057	SOCKET CONTACT	1	X X	(PKG. OF 40) (18 OR 20 GA. WIRE) (NO. 19)
	R78060	SOCKET CONTACT	1	X X	(PKG. OF 40) (14 OR 16 GA. WIRE) (NO. 15)
3	R78047	SEAL	1	X X	(PKG. OF 5)
4	RE12362	CONNECTOR	1	X X	(PKG. OF 3)
5	R78052	PIN CONTACT CONNECTOR BODY	1	X X	(PKG. OF 3)
6	R78061	PIN CONTACT	1	X X	(PKG. OF 40) (14 OR 16 GA. WIRE) (NO. 15)
7	R78063	TERMINAL NIPPLE	1	X X	(PKG. OF 40) (16 GA. WIRE) (GRAY)
8	RE12334	CONNECTOR	1	X X	
9	R78060	SOCKET CONTACT	1	X X	(PKG. OF 40) (14 OR 16 GA. WIRE) (NO. 15)
10	R78048	TERMINAL NIPPLE	1	X X	(PKG. OF 5)
11	RE12363	CONNECTOR	1	X X	(PKG. OF 3)
12	RE12331	CONNECTOR	1	X X	
13	R78053	PIN CONTACT CONNECTOR BODY	1	X X	(PKG. OF 3)
14	RE12330	CONNECTOR	1	X X	
15	R78049	SEAL	1	X X	(PKG. OF 5)
16	RE12364	SOCKET CONT.CONNECTOR BODY	1	X X	(PKG. OF 3)
17	R78054	PIN CONTACT CONNECTOR BODY	1	X X	(PKG. OF 3)
18	RE12332	CONNECTOR	1	X X	
19	R78050	SEAL	1	X X	(PKG. OF 5)
20	RE12365	CONNECTOR	1	X X	(PKG. OF 2)
21	RE12333	CONNECTOR	1	X X	
22	R78055	PIN CONTACT CONNECTOR BODY	1	X X	(PKG. OF 2)
23	R78061	PIN CONTACT	1	X X	(PKG. OF 40) (14 OR 16 GA. WIRE) (NO. 15)
	R78058	PIN CONTACT	1	X X	(PKG. OF 40) (18 OR 20 GA. WIRE) (NO. 19)
24	R78051	SEAL	1	X X	(PKG. OF 5)
25	RE12366	CONNECTOR	1	X X	(PKG. OF 2)
26	R78056	PIN CONTACT CONNECTOR BODY	1	X X	(PKG. OF 2)
27	R78064	ELECTRICAL PLUG	1	X X	(PKG. OF 40)

1F10

ELECTRICAL

ELECTRICAL CONNECTOR SERVICE KIT
RWP3870 -UN-01JAN94



RWP3870

ELECTRICAL CONNECTOR SERVICE KIT - CONTINUED

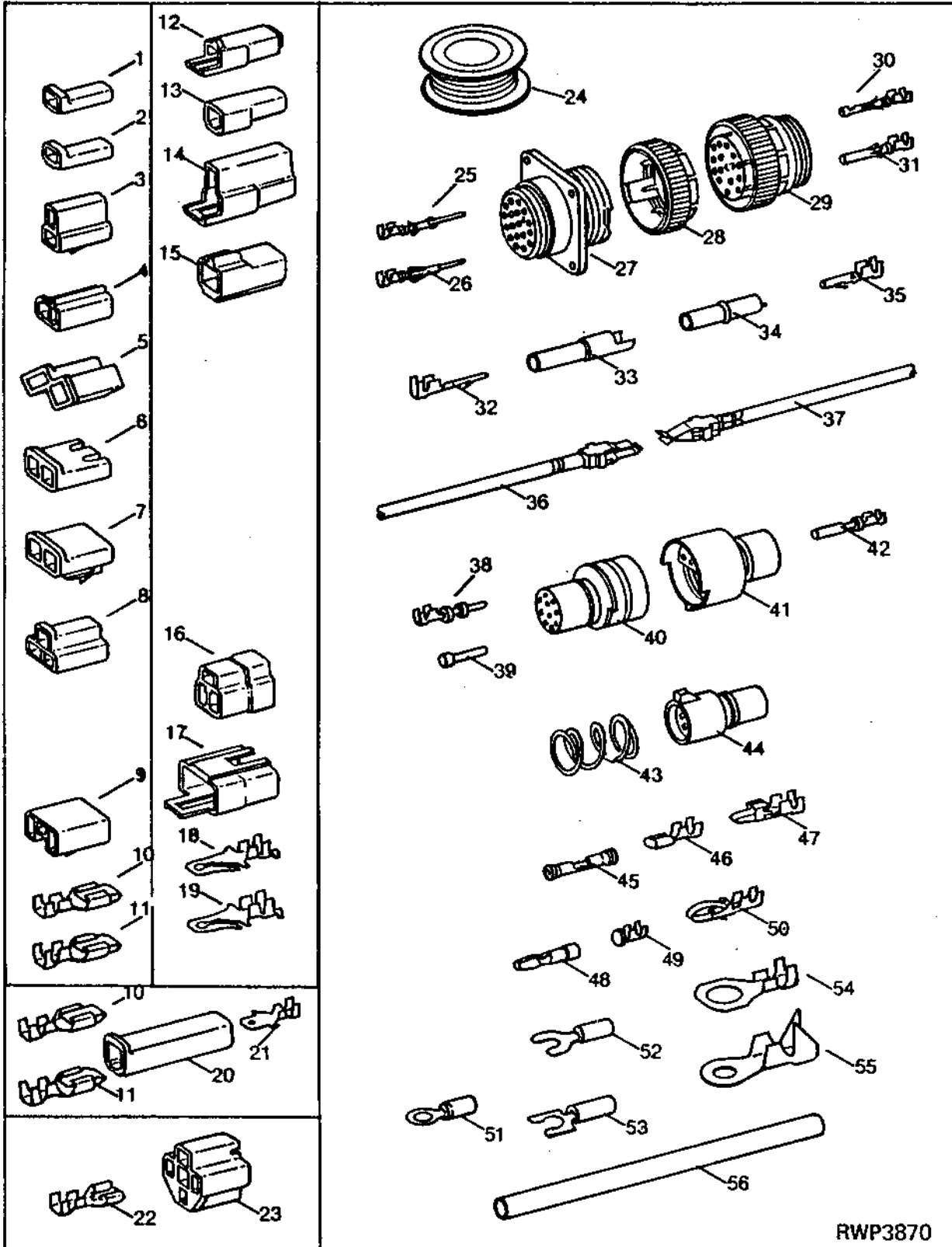
KEY	PART NO.	PART NAME	QTY	SERIAL NO.	REMARKS
				9 9	
				6 7	
				5 5	
				0 0	
1	T28583	RECEPTACLE CONNECTOR BODY	1	X X	(B)
2	M43835	FLAT CONNECTOR	1	X X	(B)
3	R77476	CONNECTOR	1	X X	(A)
4	R77477	RECEPTACLE CONNECTOR BODY	1	X X	(A)
5	R77479	CONNECTOR	1	X X	(A)
6	R77480	RECEPTACLE CONNECTOR BODY	1	X X	(A)
7	R77481	CONNECTOR	1	X X	(A)
8	R77482	CONNECTOR	1	X X	
9	H104855	RECEPTACLE CONNECTOR BODY	1	X X	
10	U46662	TERMINAL	1	X X	(E) (F)
11	N115096	TERMINAL	1	X X	(G) (PKG. OF 15)
12	T28585	TAB CONNECTOR BODY	1	X X	(B)
13	R77475	CONNECTOR	1	X X	(B)
14	T28586	CONNECTOR	1	X X	(A)
15	R77478	CONNECTOR	1	X X	(A)
16	R77483	CONNECTOR	1	X X	
17	R48887	TAB CONNECTOR BODY	1	X X	
18	T34067	TERMINAL	1	X X	(E) (F)
19	R77484	TERMINAL	1	X X	(G) (PKG. OF 15)
20	U46370	CONNECTOR	1	X X	(B)
21	R77485	TAB	1	X X	(C) (F)
22	R77486	TERMINAL	1	X X	(E)
23	R77487	CONNECTOR	1	X X	(B)
24	R66321	WIRING LEAD	1	X X	15M (50 FT.) 10 GA.
	R66320	WIRING LEAD	1	X X	30.5M (100 FT.) 12 GA.
	R77501	WIRE	1	X X	30.5M (100 FT.) 14 GA.
	R77500	WIRE	1	X X	30.5M (100 FT.) 16 GA.
	TY16086	WIRE	1	X X	(SUB FOR R77499) 30.5M (100 FT.) 18 GA.
	R77498	WIRE	1	X X	30.5M (100 FT.) 20 GA.
25	R77462	PIN CONTACT	1	X X	(PKG. OF 40) 20-22 OR 24 GA. WIRE
26	R77464	PIN CONTACT	1	X X	(H) (PKG. OF 50)
27	R77456	RECEPTACLE	1	X X	(37 WAY)
28	R77458	CONNECTOR	1	X X	(A) SIZE 23
	R77459	CONNECTOR	1	X X	(A) SIZE 17
	R77460	CONNECTOR	1	X X	(A) SIZE 13
	R77461	CONNECTOR	1	X X	(A) SIZE 11
29	R77457	ELECTRICAL PLUG	1	X X	37 WAY
30	R77463	SOCKET CONTACT	1	X X	(PKG. OF 40) 20-22 OR 24 GA. WIRE
31	R77465	SOCKET CONTACT	1	X X	(H) (PKG. OF 50)
32	R77468	TERMINAL	1	X X	(PKG. OF 5) 18 GA.
33	R77466	CONNECTOR	1	X X	(A)
34	R77467	CONNECTOR	1	X X	(A)

- (A) PKG. OF 2
- (B) PKG. OF 3
- (C) PKG. OF 10
- (D) PKG. OF 20
- (E) PKG. OF 25
- (F) 14 OR 16 GA. WIRE
- (G) 10 OR 12 GA. WIRE
- (H) 14-16 OR 18 GA. WIRE

1F12

ELECTRICAL

ELECTRICAL CONNECTOR SERVICE KIT - CONTINUED
RWP3870 -UN-01JAN94



ELECTRICAL CONNECTOR SERVICE KIT - CONTINUED

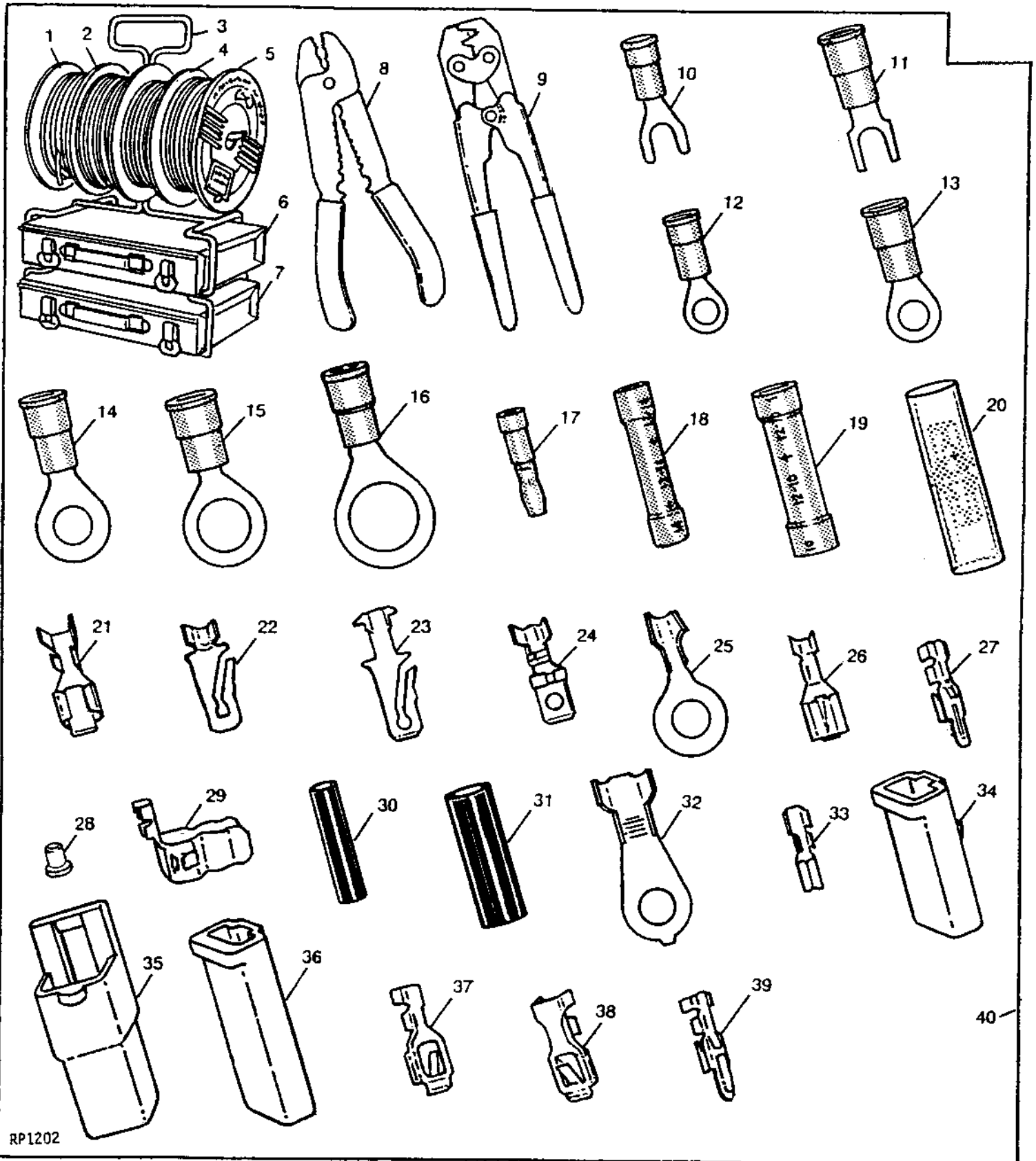
KEY	PART NO.	PART NAME	QTY	SERIAL NO.	REMARKS
				9 9	
				6 7	
				5 5	
				0 0	
35	R77469	TERMINAL	1	X X	(PKG. OF 5) 18 GA.
36	RE11156	TERMINAL	1	X X	(B) MALE
37	RE11157	TERMINAL	1	X X	(B) FEMALE
38	R70222	PIN CONTACT	1	X X	(D) (H)
39	R70221	ELECTRICAL PLUG	1	X X	(E)
40	R70219	PLUG	1	X X	(PKG. OF (2) R70218 AND (2) R70219) 10 WAY
	R70217	PLUG	1	X X	(PKG. OF (2) R70216 AND (2) R70217) 7 WAY
	R70215	PLUG	1	X X	(PKG. OF (2) R70214 AND (2) R70215) 4 WAY
	R70213	PIN CONTACT CONNECTOR BODY	1	X X	(PKG. OF (2) R70212 AND (2) R70213) 3 WAY
	R70211	CONNECTOR	1	X X	(PKG. OF (2) R70210 AND (2) R70211) 2 WAY
41	R70218	RECEPTACLE	1	X X	ORDER R70219 WHICH CONTAINS (2) R70218 AND (2) R70219
	R70216	RECEPTACLE	1	X X	ORDER R70217 WHICH CONTAINS (2) R70216 AND (2) R70217
	R70214	RECEPTACLE	1	X X	ORDER R70215 WHICH CONTAINS (2) R70214 AND (2) R70215
	R70212	RECEPTACLE	1	X X	ORDER R70213 WHICH CONTAINS (2) R70212 AND (2) R70213
	R70210	RECEPTACLE	1	X X	(ORDER R70211) ORDER R70211 WHICH CONTAINS (2) R70210 AND (2) R70211
42	AR91793	SOCKET CONTACT	1	X X	(D)
43	R30378	SPRING	1	X X	(C)
44	R77474	CONNECTOR	1	X X	(A) 6 WAY
45	R77470	TERMINAL	1	X X	SPLICE (PKG. OF 15) 16-18-20 OR 22 GA. WIRE
	R77471	TERMINAL	1	X X	(C) (G) SPLICE
	R77472	TERMINAL	1	X X	(A) SPLICE (8 GA. WIRE)
	R77473	TERMINAL	1	X X	(A) SPLICE (6 GA. WIRE)
46	R65607	TERMINAL	1	X X	(C) (18 OR 20 GA. WIRE)
47	U46664	TERMINAL	1	X X	(C) (F)
48	R32026	TERMINAL	1	X X	(D) (F)
49	R65602	SOCKET CONTACT	1	X X	(C) 16 OR 18 GA. WIRE
50	R70220	TERMINAL	1	X X	(C) 18 OR 20 GA. WIRE
51	R77489	TERMINAL	1	X X	(D) 14-16-18 OR 20 GA. WIRE; NO. 10 EYELET
	R77493	TERMINAL	1	X X	(D) (G) NO. 10 EYELET
	R77488	TERMINAL	1	X X	(D) 14-16-18 OR 20 GA. WIRE; 3/8" EYELET
	R77490	TERMINAL	1	X X	(D) (G) (1/2" EYELET)
52	R77496	TERMINAL	1	X X	(D) (F) NO. 8 SPADE
	R77495	TERMINAL	1	X X	(D) 18 GA. WIRE; NO. 10 SPADE
53	R77497	TERMINAL	1	X X	(D) (F) NO. 6 SPADE
54	R77491	TERMINAL	1	X X	(D) (G) 3/8" EYELET
	R77492	TERMINAL	1	X X	(D) (G) 1/4" EYELET
55	R77494	TERMINAL	1	X X	(D) 6 OR 8 GA. WIRE; 1/4" EYELET
56	R77502	TUBE	1	X X	(PKG. OF 8) 3/8", HEAT SHRINK
	R77503	TUBE	1	X X	(PKG. OF 8) 3/16", HEAT SHRINK
57	PM797NA	KIT	1	X X	

- (A) PKG. OF 2
- (B) PKG. OF 3
- (C) PKG. OF 10
- (D) PKG. OF 20
- (E) PKG. OF 25
- (F) 14 OR 16 GA. WIRE
- (G) 10 OR 12 GA. WIRE
- (H) 14-16 OR 18 GA. WIRE

1F14

ELECTRICAL

TERMINAL AND WIRING KIT
RP1202 -UN-12SEP95



RP1202

1F15

ELECTRICAL

TERMINAL AND WIRING KIT - CONTINUED

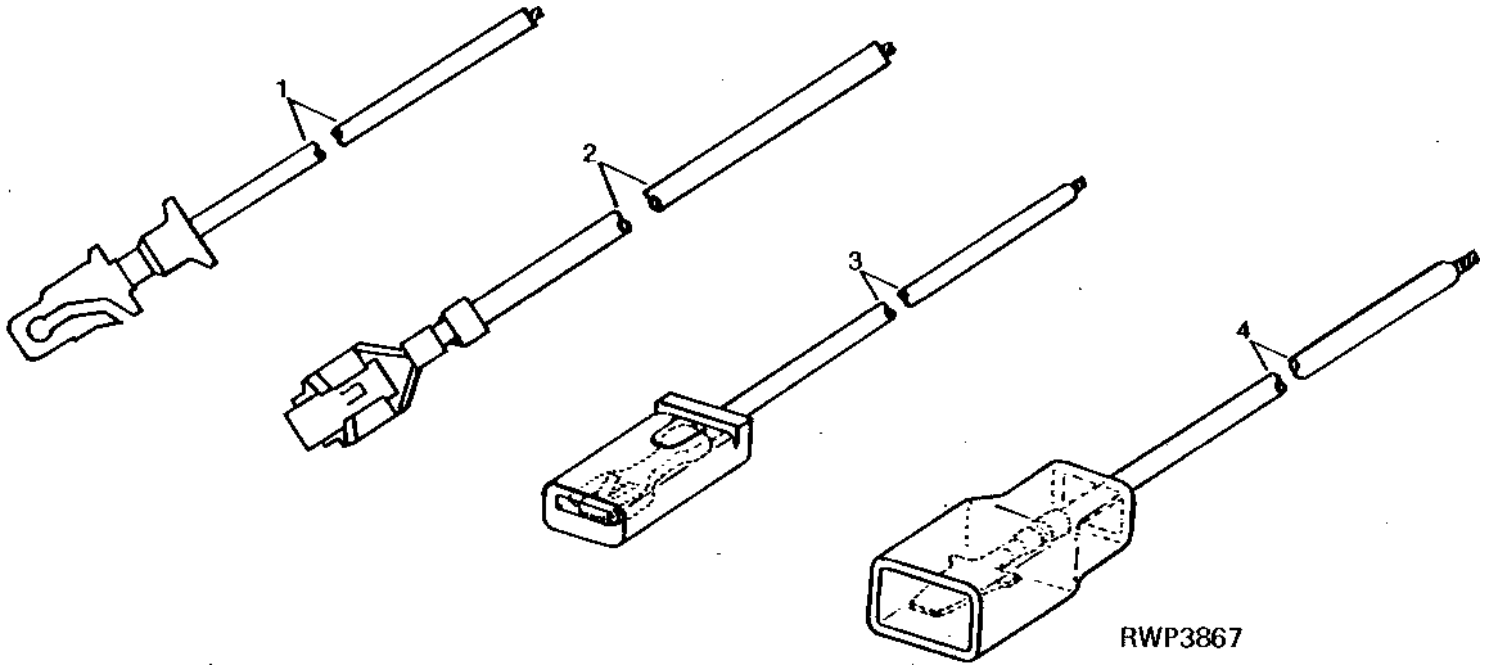
KEY	PART NO.	PART NAME	QTY	SERIAL NO.	REMARKS
				9 9	
				6 7	
				5 5	
				0 0	
1	R66319	WIRING LEAD	1	X X	PRIMARY, 14 GA., 30,480 MM (100') (1 SPOOL)
2	R65593	WIRING LEAD	1	X X	PRIMARY, 16 GA., 30,480 MM (100') (1 SPOOL)
3	R65608	RACK	1	X X	
4	R66321	WIRING LEAD	1	X X	PRIMARY, 10 GA., 15,240 MM (50') (1 SPOOL)
5	R66320	WIRING LEAD	1	X X	PRIMARY, 12 GA., 30,480 MM (100') (1 SPOOL)
6	R65609	CONTAINER	1	X X	32 COMPARTMENT
7	R65610	CONTAINER	1	X X	11 COMPARTMENT
8	R32011	TOOL	1	X X	WIRING, STRIPPING
9	R65594	TOOL	1	X X	WIRING, CRIMPING
10	R32016	TERMINAL	1	X X	PRIMARY, 14-16 GA., NO. 10 SPADE
11	R32017	TERMINAL	1	X X	PRIMARY, 10-12 GA., NO. 10 SPADE
12	R32018	TERMINAL	1	X X	PRIMARY, 14-16 GA., NO. 10 EYELET
13	R32019	TERMINAL	1	X X	PRIMARY, 10-12 GA., NO. 10 EYELET
14	R32021	TERMINAL	1	X X	PRIMARY, 10-12 GA., 1/4" EYELET
15	R32022	TERMINAL	1	X X	PRIMARY, 10-12 GA., 3/8" EYELET
16	R32023	TERMINAL	1	X X	PRIMARY, 10-12 GA., 1/2" EYELET
17	R32026	TERMINAL	1	X X	MALE BULLET
18	R32027	CONNECTOR	1	X X	SPLICE, 14-16 GA.
19	R32028	TERMINAL	1	X X	SPLICE, 10-12 GA.
20	AL2976T	CONNECTOR	1	X X	2-WIRE BULLET CONNECTOR
21	R65595	TERMINAL	1	X X	FEMALE, 10 GA.
22	R65596	TERMINAL	1	X X	MALE, 10 GA., OR TWO 14 GA. CABLES
23	R65597	TERMINAL	1	X X	MALE, 14-16 GA.
24	R65598	TERMINAL	1	X X	MALE, SHORT, 14-16 GA.
25	R65599	TERMINAL	1	X X	14-16 GA., 1/4" EYELET
26	R65600	TERMINAL	1	X X	FEMALE, 14-16 GA.
27	R65601	TERMINAL	1	X X	TWIN-LOCK, TWO 16 GA. CABLES
28	R65602	SOCKET CONTACT	1	X X	BULB SOCKET, 16-18 GA.
29	R65603	TERMINAL NIPPLE	1	X X	FUSE
30	R65604	INSULATING SLEEVE	1	X X	14-18 GA.
31	R65605	INSULATING SLEEVE	1	X X	8-12 GA.
32	R65606	TERMINAL	1	X X	6-8 GA., 1/4" EYELET
33	R65607	TERMINAL	1	X X	18-20 GA.
34	T28583	RECEPTACLE CONNECTOR BODY	1	X X	ONE CONTACT LOCK-TYPE, MALE
35	T28585	TAB CONNECTOR BODY	1	X X	ONE CONTACT LOCK-TYPE, FEMALE
36	U46370	CONNECTOR	1	X X	ONE CONTACT SINGLE BODY, MALE
37	U46662	TERMINAL	1	X X	CONNECTOR, ONE CONTACT SINGLE BODY, MALE
38	U46663	TERMINAL	1	X X	MALE
39	U46664	TERMINAL	1	X X	MALE
40	PM797NA	KIT	1	X X	

1F16

ELECTRICAL

SUPPLEMENTARY TERMINALS AND CONNECTORS

RWP3867 -UN-01JAN94



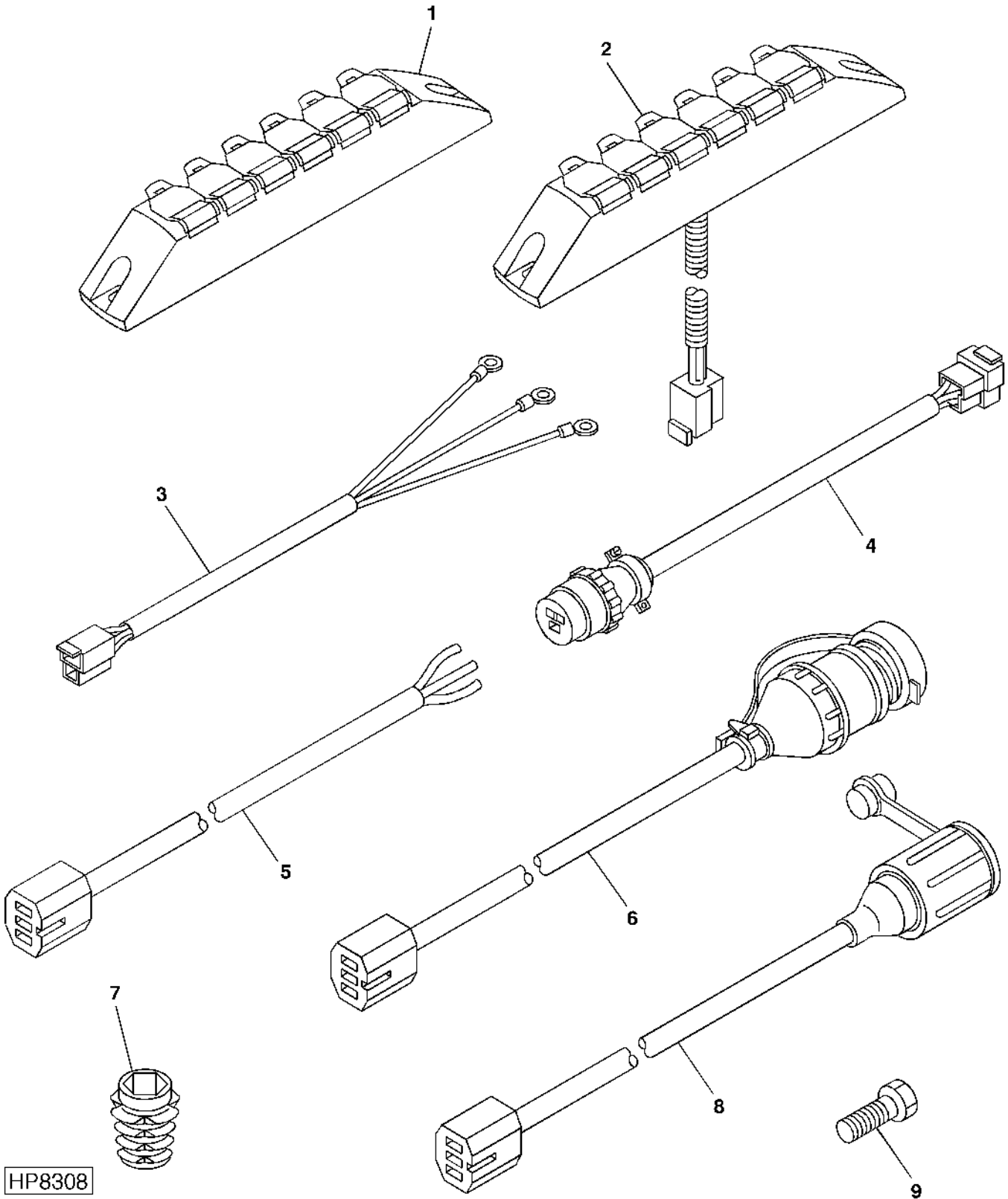
KEY	PART NO.	PART NAME	QTY	SERIAL NO.	REMARKS
				9 9	
				6 7	
				5 5	
				0 0	
1	AR65005	TERMINAL	1	X X	
2	AR65006	TERMINAL	1	X X	
3	R32024	WIRING LEAD	1	X X	
4	R32025	WIRING LEAD	1	X X	

MEMORANDA

1F17

ELECTRICAL

KIT-CONVENIENCE OUTLET
HP8308 -UN-10MAR99



HP8308

1F18

ELECTRICAL

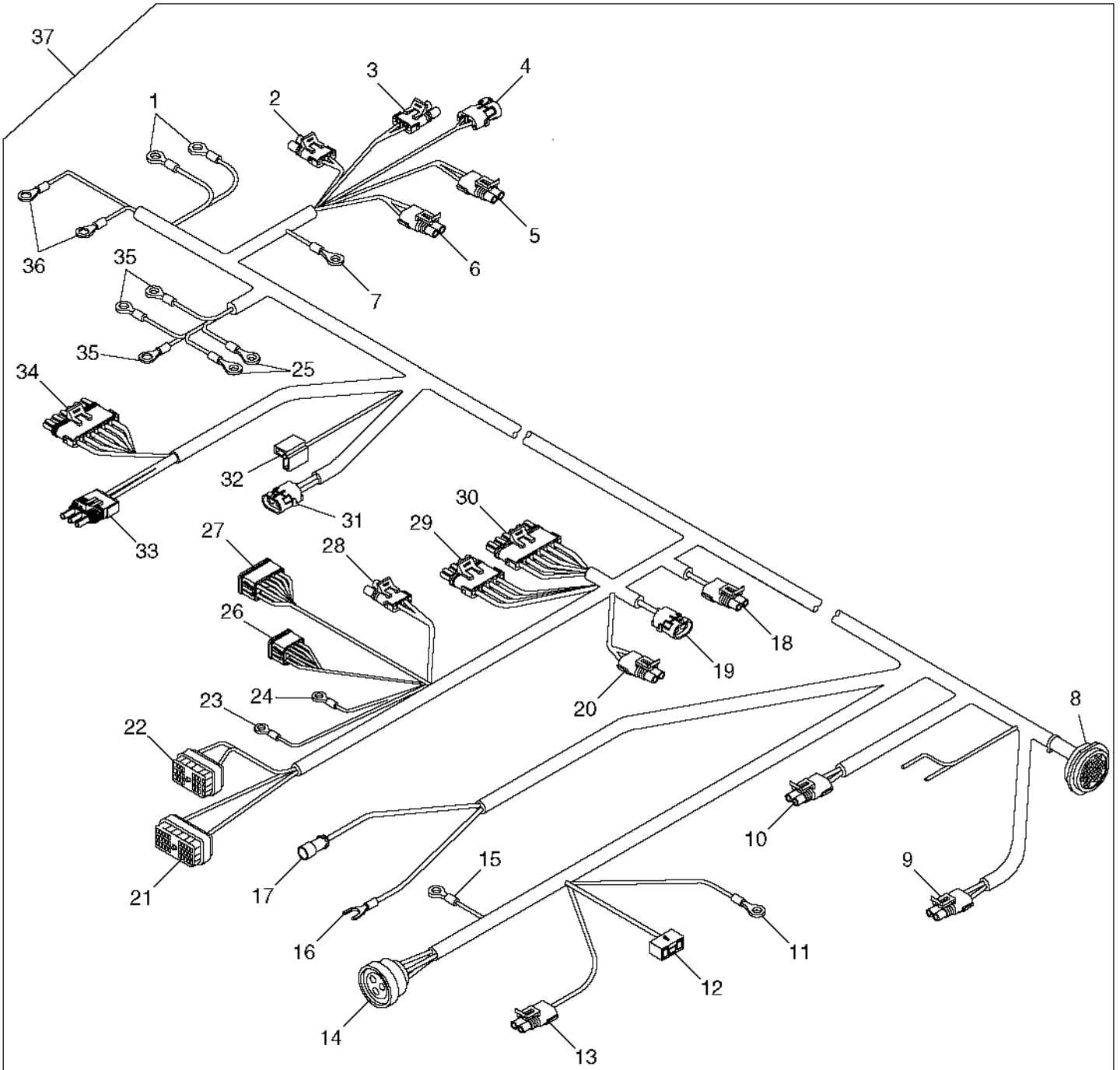
CONVENIENCE OUTLET - CONTINUED

KEY	PART NO.	PART NAME	QTY	SERIAL NO.	REMARKS
				9 9	
				6 7	
				5 5	
				0 0	
1	RE68495	STRIP	1	X X	
2	AH152668	TERMINAL	1	X X	
3	AH153311	WIRING HARNESS	1	X X	POWER STRIP
4	AH153133	WIRING HARNESS	1	X X	ADAPTER POWER STRIP
5	RE67013	ELECTRICAL PLUG	1	X X	AUXILIARY POWER
6	RE67015	ADAPTER	1	X X	
7	H159806	INSERT	1	X X	
8	RE67014	ADAPTER	1	X X	CIGARETTE LIGHTER
9	21M7296	SCREW	2	X X	M6 X 20

1F19

ELECTRICAL

ENGINE WIRING HARNESS
HP8165 -UN-07JUL99



HP8165

1F20

ELECTRICAL

ENGINE WIRING HARNESS - CONTINUED

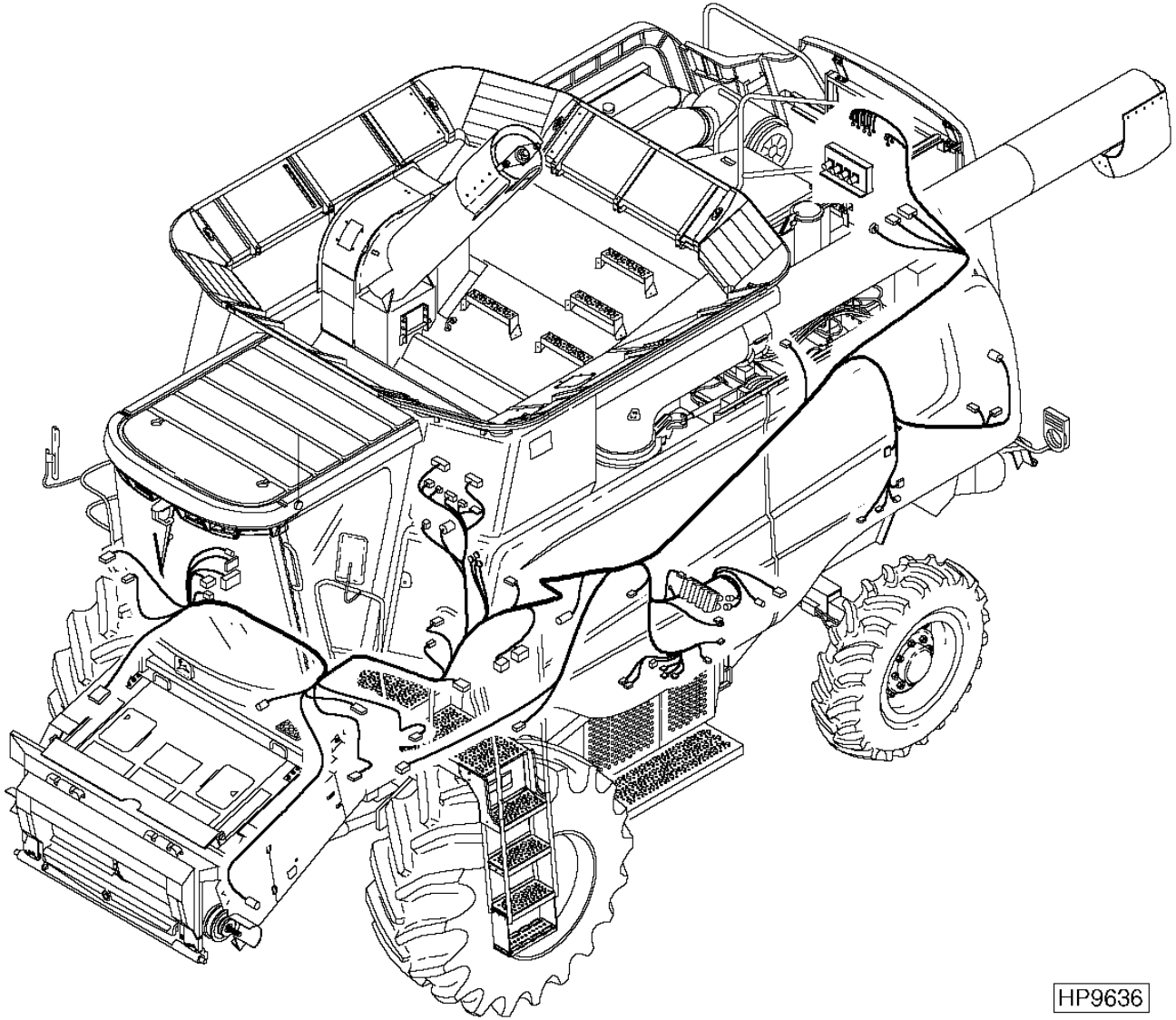
KEY	PART NO.	PART NAME	QTY	SERIAL NO.	REMARKS
				9 9	
				6 7	
				5 5	
				0 0	
1	57M7118	TERMINAL	2	X X	START RELAY
	57M7030	TERMINAL	1	X X	
2	R12363	CONNECTOR	1	X X	UNLOADING AUGER ENGAGE
3	R12363	CONNECTOR	1	X X	SEPERATOR ENGAGE
4	R78053	PIN CONTACT CONNECTOR BODY	1	X X	SEPERATOR DRIVE PRESS
5	57M7850	RECEPTACLE CONNECTOR BODY	1	X X	SEPERATOR DRIVE TEMPERATURE
6	57M7850	RECEPTACLE CONNECTOR BODY	1	X X	ENGINE COOLANT SWITCH/SENSOR
7	R77489	TERMINAL	3	X X	SEPERATOR DRIVE FILTER
8	57M7667	ELECTRICAL PLUG	1	X X	R.H. MAIN WIRING HARNESS
9	R12363	CONNECTOR	1	X X	A/C HIGH PRESS
10	57M7850	RECEPTACLE CONNECTOR BODY	1	X X	INLET AIR TEMPERATURE
11	TERMINAL	1	X X	GROUND
12	H104855	RECEPTACLE CONNECTOR BODY	1	X X	ALTERNATOR FIELD
13	57M7850	RECEPTACLE CONNECTOR BODY	1	X X	AUXILIARY ENGINE SPEED
14	CONNECTOR	1	X X	FUEL TEMPERATURE
15	R77489	TERMINAL	1	X X	FUEL SHUTOFF
16	R32017	TERMINAL	1	X X	A/C COMPRESSOR GROUND
17	57M7293	PIN CONTACT CONNECTOR BODY	1	X X	A/C COMPRESSOR CLUTCH
18	R12363	CONNECTOR	1	X X	ENGINE AIR FILTER
19	R78053	PIN CONTACT CONNECTOR BODY	1	X X	ENGINE SERVICE LIGHT
20	57M7850	RECEPTACLE CONNECTOR BODY	1	X X	HYDRO OIL TEMPERATURE
21	57M7275	CONNECTOR	1	X X	ECU 1
22	57M7279	CONNECTOR	1	X X	ECU 2
23	57M7030	TERMINAL	1	X X	CONTROL POWER
24	57M7030	TERMINAL	1	X X	ECU
25	57M7118	TERMINAL	2	X X	MAIN GROUND
26	57M7696	RECEPTACLE CONNECTOR BODY	1	X X	L.H. MAIN
27	57M7634	ELECTRICAL PLUG	1	X X	L.H. MAIN WIRING HARNESS
28	R78053	PIN CONTACT CONNECTOR BODY	1	X X	WALKER PLUG SWITCH
29	RE12365	CONNECTOR	1	X X	DIAGNOSTIC CONNECTOR
30	R78056	PIN CONTACT CONNECTOR BODY	1	X X	DIAGNOSTIC CONNECTOR
31	R78053	PIN CONTACT CONNECTOR BODY	1	X X	ENGINE OIL PRESS
32	R77479	CONNECTOR	1	X X	START AID
33	RE21364	CONNECTOR	1	X X	INJECTOR PUMP
34	RE12366	CONNECTOR	101	X X	INJECTOR PUMP
35	57M7572	TERMINAL	3	X X	MAIN GROUND
36	R32023	TERMINAL	2	X X	STARTER
37	AH154194	WIRING HARNESS	1	X X	ENGINE

MEMORANDA

1F21

ELECTRICAL

L.H. MAIN WIRING HARNESS - REFERENCE
HP9636 -UN-27MAR00



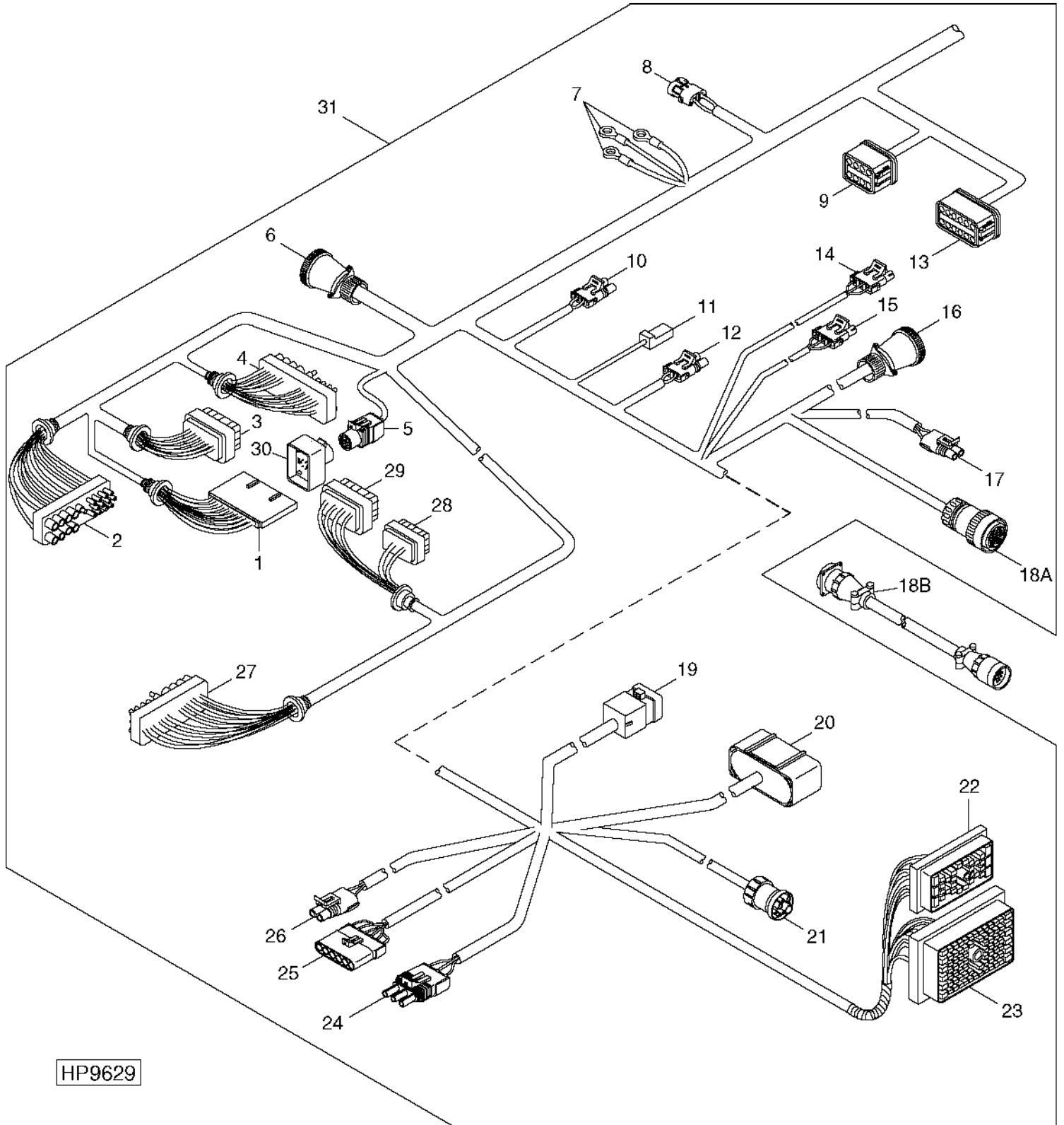
HP9636

KEY	PART NO.	PART NAME	QTY	SERIAL NO.	REMARKS
				9 9	
				6 7	
				5 5	
				0 0	
1	AH166986	WIRING HARNESS	1	X X	L.H. MAIN

1F22

ELECTRICAL

L.H. MAIN WIRING HARNESS
HP9629 -UN-24MAR00



HP9629

1F23

ELECTRICAL

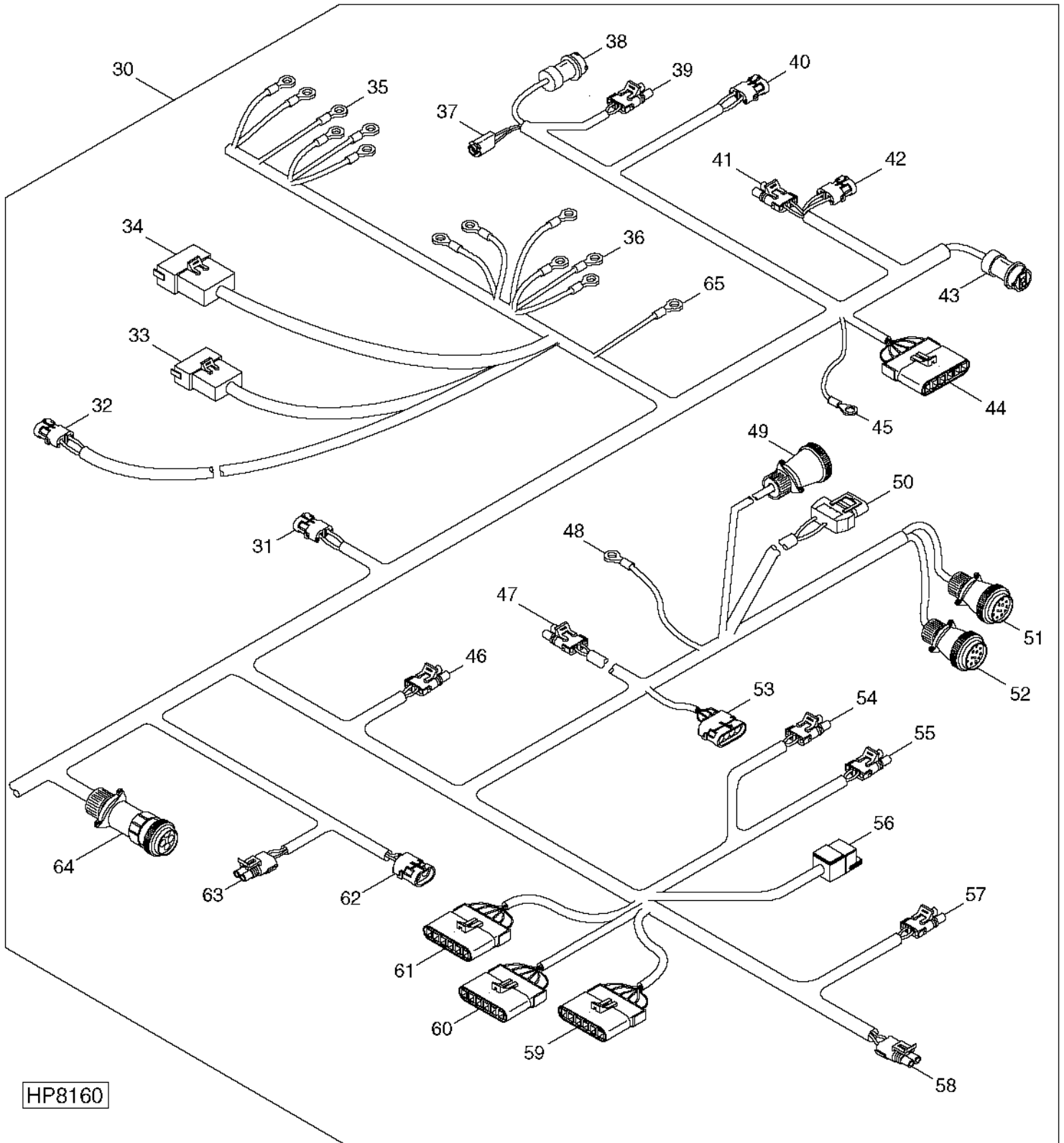
L.H. MAIN WIRING HARNESS - CONTINUED

KEY	PART NO.	PART NAME	QTY	SERIAL NO.	9 6 5 0	9 7 5 0	REMARKS
1	57M7818	ELECTRICAL PLUG	1		X	X	DASH
2	H132513	CONNECTOR	1		X	X	CEB POWER DISTRIBUTION BOARD
3	57M7253	RECEPTACLE	1		X	X	RELAY PANEL 1
4	H132513	CONNECTOR	1		X	X	POWER BOARD
5	57M7538	RECEPTACLE CONNECTOR BODY	1		X	X	TERMINATOR
6	AH135787	ELECTRICAL PLUG	1		X	X	GRAIN TANK
7	57M7572	TERMINAL	2		X	X	GRAIN TANK GROUND
	57M7118	TERMINAL	2		X	X	GROUND
8	R78053	PIN CONTACT CONNECTOR BODY	1		X	X	GULLWING SERVICE LIGHTS
9	57M7632	ELECTRICAL PLUG	1		X	X	SLAVE TAILING SENSOR
10	RE12363	CONNECTOR	1		X	X	CLUTCH
11	M47293	TERMINAL	1		X	X	WINDSHIELD WASHER PUMP
12	RE12363	CONNECTOR	1		X	X	TAILINGS ELEVATOR LSSM
13	57M7634	ELECTRICAL PLUG	1		X	X	MASTER TAILING SENSOR
14	RE12364	SOCKET CONT.CONNECTOR BODY	1		X	X	FEEDER HOUSE POSITION SENSOR
15	RE12364	SOCKET CONT.CONNECTOR BODY	1		X	X	L.H. TURNING SIGNAL/WARNING LAMP
16	AH135787	ELECTRICAL PLUG	1		X	X	STEERING COLUMN
17	R78053	PIN CONTACT CONNECTOR BODY	1		X	X	L.H. COMBINE STUBBLE LIGHT
18A	57M7661	ELECTRICAL PLUG	1		X	X	HEADER WIRING HARNESS
18B	AH168260	WIRING HARNESS	1		X	X	HEADER WIRING HARNESS REPAIR KIT (INCLUDES MATING CONNECTOR AND TERMINALS)
19	57M7697	CONNECTOR	1		X	X	R.H. MAIN WIRING HARNESS
20	CONNECTOR	1		X	X	R.H. MAIN WIRING HARNESS
21	57M7652	ELECTRICAL PLUG	1		X	X	AIR CONDITIONING WIRING HARNESS
22	57M7854	CONNECTOR	1		X	X	ARMREST
23	57M7693	RECEPTACLE CONNECTOR BODY	1		X	X	CAB MAIN
24	CONNECTOR	1		X	X	R.H. TURNING SIGNAL/WARNING LAMP
25	R78056	PIN CONTACT CONNECTOR BODY	1		X	X	HEADER R.H. SENSOR WIRING HARNESS
26	RE12363	CONNECTOR	1		X	X	R.H. COMBINE STUBBLE LIGHT
27	H132513	CONNECTOR	1		X	X	CEB POWER DISTRIBUTION BOARD
28	57M7279	CONNECTOR	1		X	X	HEADER CONTROL J2
29	57M7253	RECEPTACLE	1		X	X	HEADER CONTROL J1
30	RE70773	DEVICE	1		X	X	CAN TERMINATOR (6 PIN)
31	AH166986	WIRING HARNESS	1		X	X	L.H. MAIN

1F24

ELECTRICAL

L.H. MAIN WIRING HARNESS - CONTINUED
HP8160 -UN-06JUL99



HP8160

1F25

ELECTRICAL

L.H. MAIN WIRING HARNESS - CONTINUED

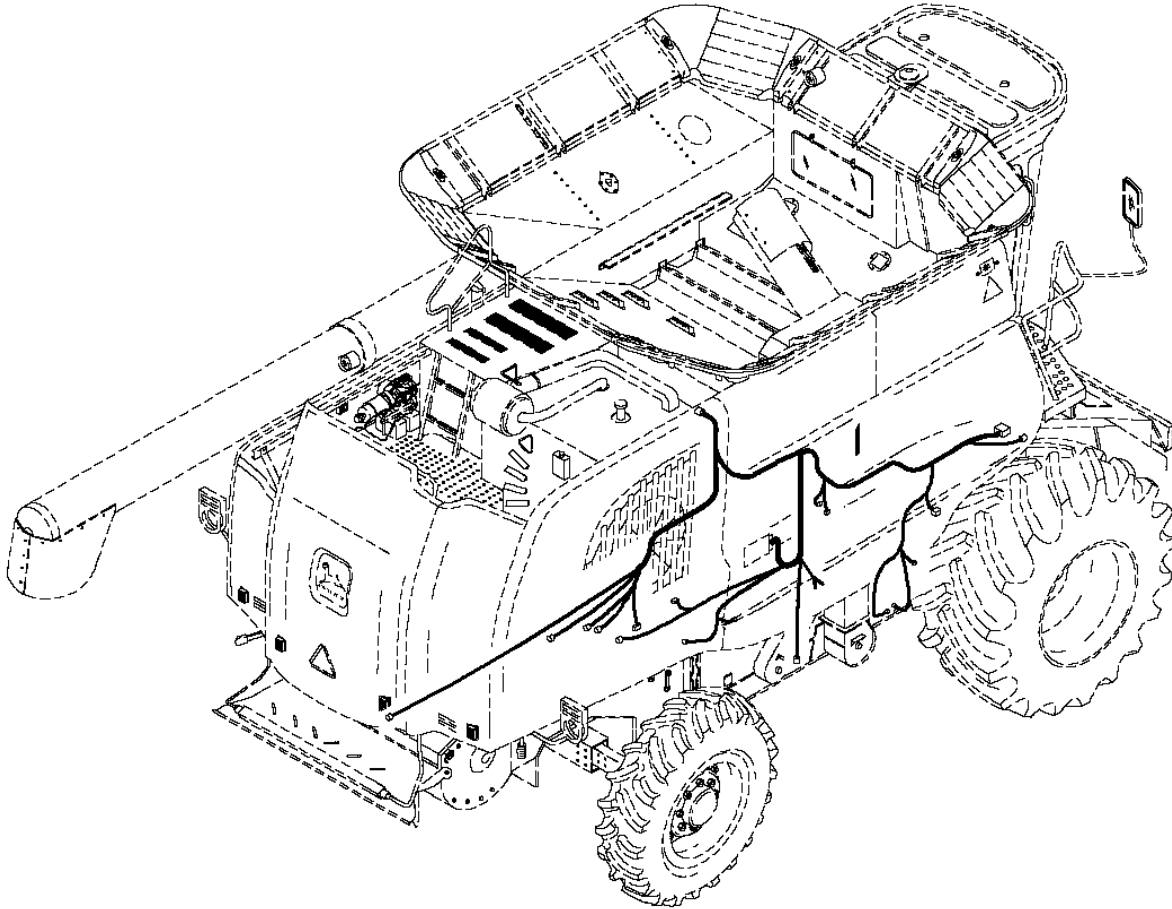
KEY	PART NO.	PART NAME	QTY	SERIAL NO.	REMARKS
				9 9	
				6 7	
				5 5	
				0 0	
30	AH166986	WIRING HARNESS	1	X X	L.H. MAIN
31	R78053	PIN CONTACT CONNECTOR BODY	1	X X	HYDRO CHARGE PRESS
32	AH165526	MODULE	1	X X	
33	57M7697	CONNECTOR	1	X X	ENGINE WIRING HARNESS
34	57M7633	RECEPTACLE	1	X X	ENGINE WIRING HARNESS
35	57M7030	TERMINAL	3	X X	RELAY PANEL
	57M7732	ELECTRICAL PLUG	4	X X	
	57M7132	TERMINAL	2	X X	
36	57M7572	TERMINAL	2	X X	RELAY PANEL
	57M7732	ELECTRICAL PLUG	1	X X	
37	SOCKET CONTACT	1	X X	(ORDER AH140120) L.H. REAR SIDE MARKER LAMP
38	CONNECTOR	1	X X	L.H. REAR TAIL/TURN LAMP
39	RE12363	CONNECTOR	1	X X	L.H. WARNING LAMP
	H141411	CAP	1	X X	
40	R78053	PIN CONTACT CONNECTOR BODY	1	X X	REAR LIGHT
41	R78053	PIN CONTACT CONNECTOR BODY	1	X X	STRAW CHOPPER LSSM
42	RE12363	CONNECTOR	1	X X	CHOPPER LSSM SHORTING PLUG
43	CONNECTOR	1	X X	L.H. TAIL/BRAKE SIGNAL
44	CONNECTOR	1	X X	
45	CONNECTOR	1	X X	L.H. REAR SIDE SHEET GROUND
46	RE12363	CONNECTOR	1	X X	WALKER SPEED LSSM
47	RE12363	CONNECTOR	1	X X	COIL
48	57M7572	TERMINAL	1	X X	VALVE STACK GROUND
49	CONNECTOR	1	X X	DIODE MODULE
	AH165984	MODULE	1	X X	DIODE
50	CONNECTOR	1	X X	L.H. SHOE LAMP
51	H118426	CONNECTOR	1	X X	VALVE STACK
52	H118426	CONNECTOR	1	X X	VALVE STACK
53	R78055	PIN CONTACT CONNECTOR BODY	1	X X	SIDEHILL WIRING HARNESS
54	RE12363	CONNECTOR	1	X X	GULLWING SWITCH
55	RE12363	CONNECTOR	1	X X	SHOE LIGHT SWITCH
56	Z62206	ELECTRICAL PLUG	1	X X	FAN SPEED ACTUATOR
57	RE12363	CONNECTOR	1	X X	POWERED REAR WHEELS
58	RE12363	CONNECTOR	1	X X	CLEAN GRAIN ELEVATOR LSSM
59	CONNECTOR	1	X X	
60	CONNECTOR	1	X X	
61	CONNECTOR	1	X X	
62	R78053	PIN CONTACT CONNECTOR BODY	1	X X	GROUND SPEED SENSOR
63	RE12363	CONNECTOR	1	X X	CONVEYOR AUGER LSSM
64	AE44392	CONNECTOR	1	X X	REEL SPEED ACTUATOR
65	TERMINAL	1	X X	RELAY PANEL GROUND

MEMORANDA

1G1

ELECTRICAL

R.H. MAIN WIRING HARNESS, WITHOUT GREENSTAR - REFERENCE
HP9627 -UN-24MAR00



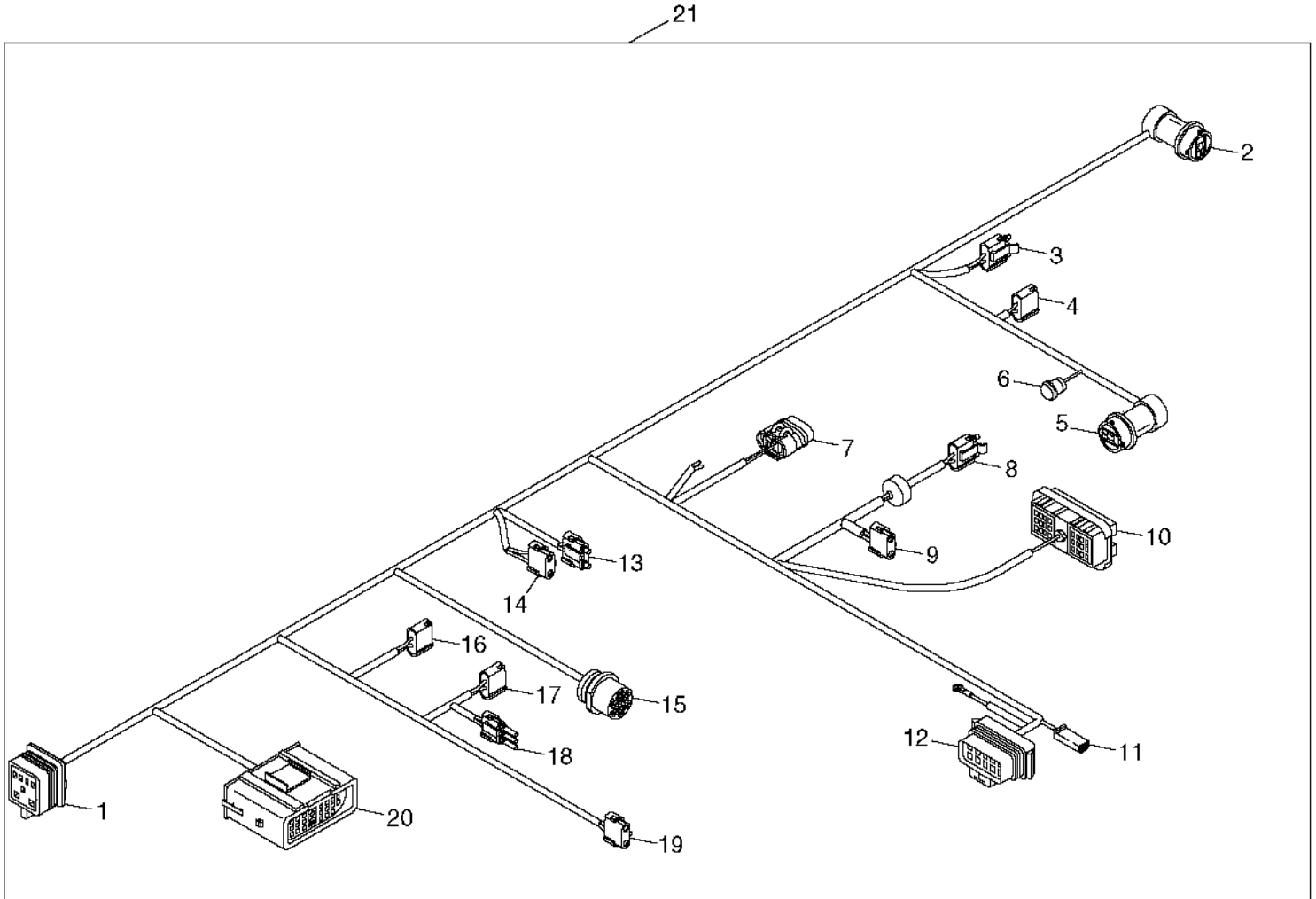
HP9627

KEY	PART NO.	PART NAME	QTY	SERIAL NO.	REMARKS
				9 9 6 7 5 5 0 0	
1	AH166985	WIRING HARNESS	1	X X	

1G2

ELECTRICAL

R.H. MAIN WIRING HARNESS W/O GREENSTAR
HP8166 -UN-26JAN99



HP8166

R.H. MAIN WIRING HARNESS, W/O GREENSTAR - CONTINUED

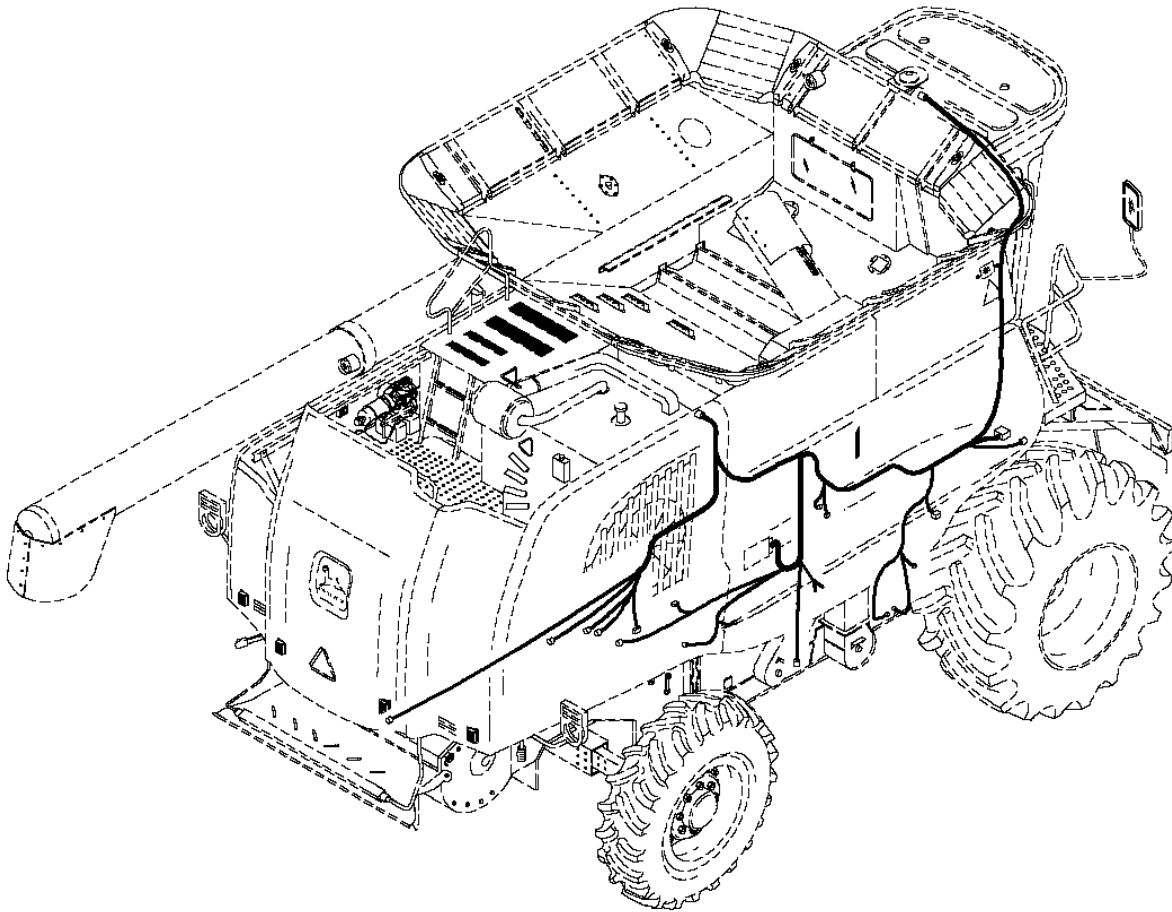
KEY	PART NO.	PART NAME	QTY	SERIAL NO.	REMARKS
				9 9	
				6 7	
				5 5	
				0 0	
1	57M7696	RECEPTACLE CONNECTOR BODY	1	X X	L.H. MAIN WIRING HARNESS
	57M7698	INSULATING SLEEVE	1	X X	
2	CONNECTOR	1	X X	R.H. REAR TURN SIGNAL LIGHT
3	RE12363	CONNECTOR	1	X X	ENGINE SERVICE LIGHT SWITCH
4	R78053	PIN CONTACT CONNECTOR BODY	1	X X	REAR DISCHARGE LIGHT
5	CONNECTOR	1	X X	R.H. REAR WARNING LIGHT
6	SOCKET CONTACT	1	X X	(ORDER AH140120) R.H. CENTER SIDE MARKER LIGHT
7	CONNECTOR	1	X X	SHOE LIGHT
8	RE12363	CONNECTOR	1	X X	R.H. WARNING LIGHT
9	RE12363	CONNECTOR	1	X X	ROTARY SCREEN SERVICE LIGHT
10	57M7276	CONNECTOR	1	X X	HARVESTRAK PRE-AMP
11	T28583	RECEPTACLE CONNECTOR BODY	1	X X	FUEL PUMP
12	57M7262	RECEPTACLE CONNECTOR BODY	1	X X	HARVESTRAK SENSOR HARNESS
13	57M7813	RECEPTACLE	1	X X	FUEL LEVEL
14	R78053	PIN CONTACT CONNECTOR BODY	1	X X	GULLWING LIGHTS
15	57M7666	RECEPTACLE	1	X X	ENGINE HARNESS
16	R78053	PIN CONTACT CONNECTOR BODY	1	X X	CONCAVE SPEED SENSOR
17	R78053	PIN CONTACT CONNECTOR BODY	1	X X	CONCAVE ADJUST ACTUATOR
18	RE12364	SOCKET CONT.CONNECTOR BODY	1	X X	CONCAVE SENSOR
19	R78053	PIN CONTACT CONNECTOR BODY	1	X X	FAN SPEED SENSOR
20	CONNECTOR	1	X X	L.H. MAIN CONNECTOR
21	AH166985	WIRING HARNESS	1	X X	R.H. MAIN (W/O GREENSTAR)
..	H117952	CLAMP	6	X X	
..	AH140120	KIT	1	X X	LIGHT REPAIR

MEMORANDA

1G4

ELECTRICAL

R.H. MAIN WIRING HARNESS W/GREENSTAR - REFERENCE
HP9628 -UN-24MAR00



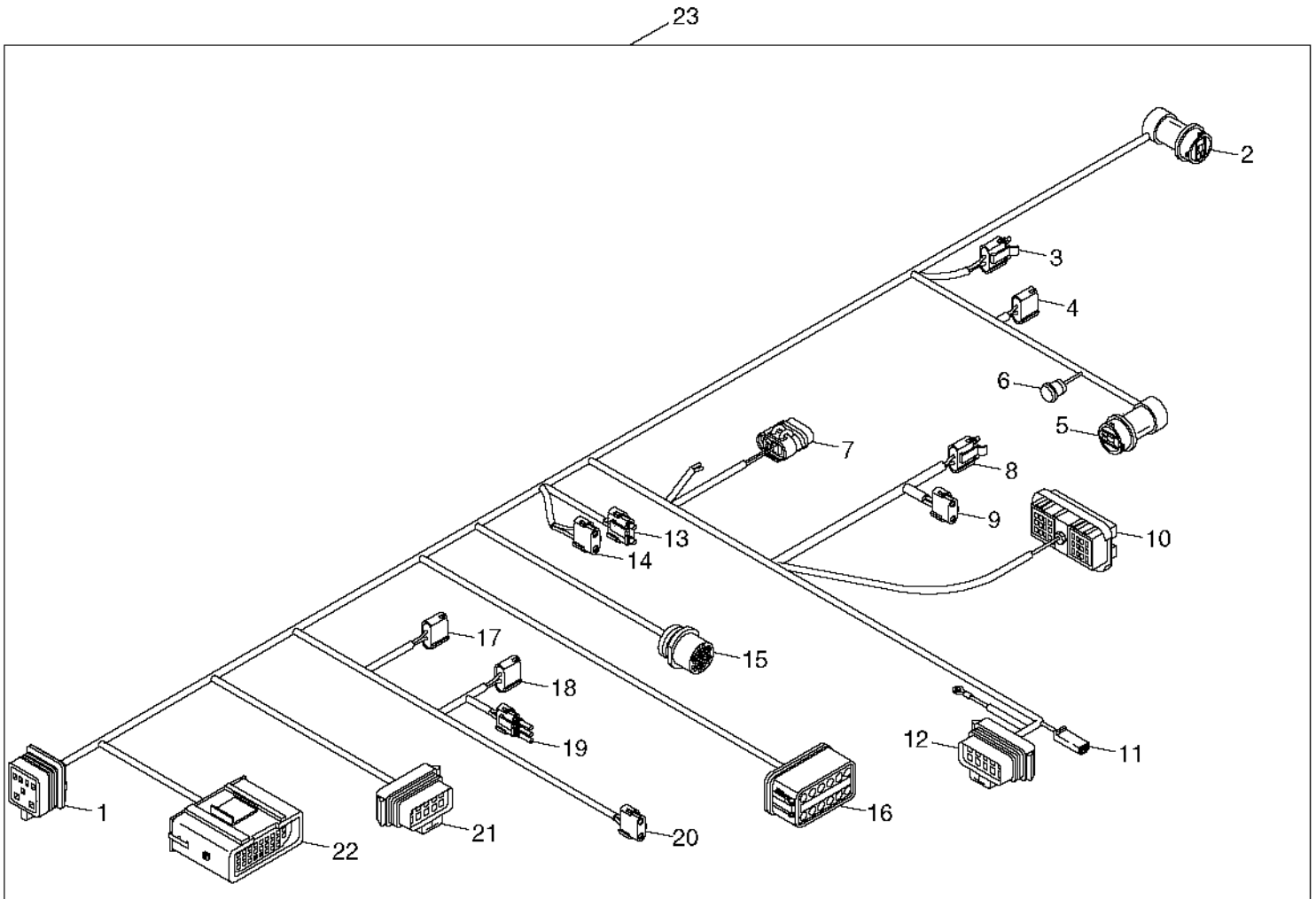
HP9628

KEY	PART NO.	PART NAME	QTY	SERIAL NO.	REMARKS
				9 9 6 7 5 5 0 0	
1	AH166984	WIRING HARNESS	1	X X	

1G5

ELECTRICAL

R.H. MAIN WIRING HARNESS, W/GREENSTAR
HP8169 -UN-26JAN99



HP8169

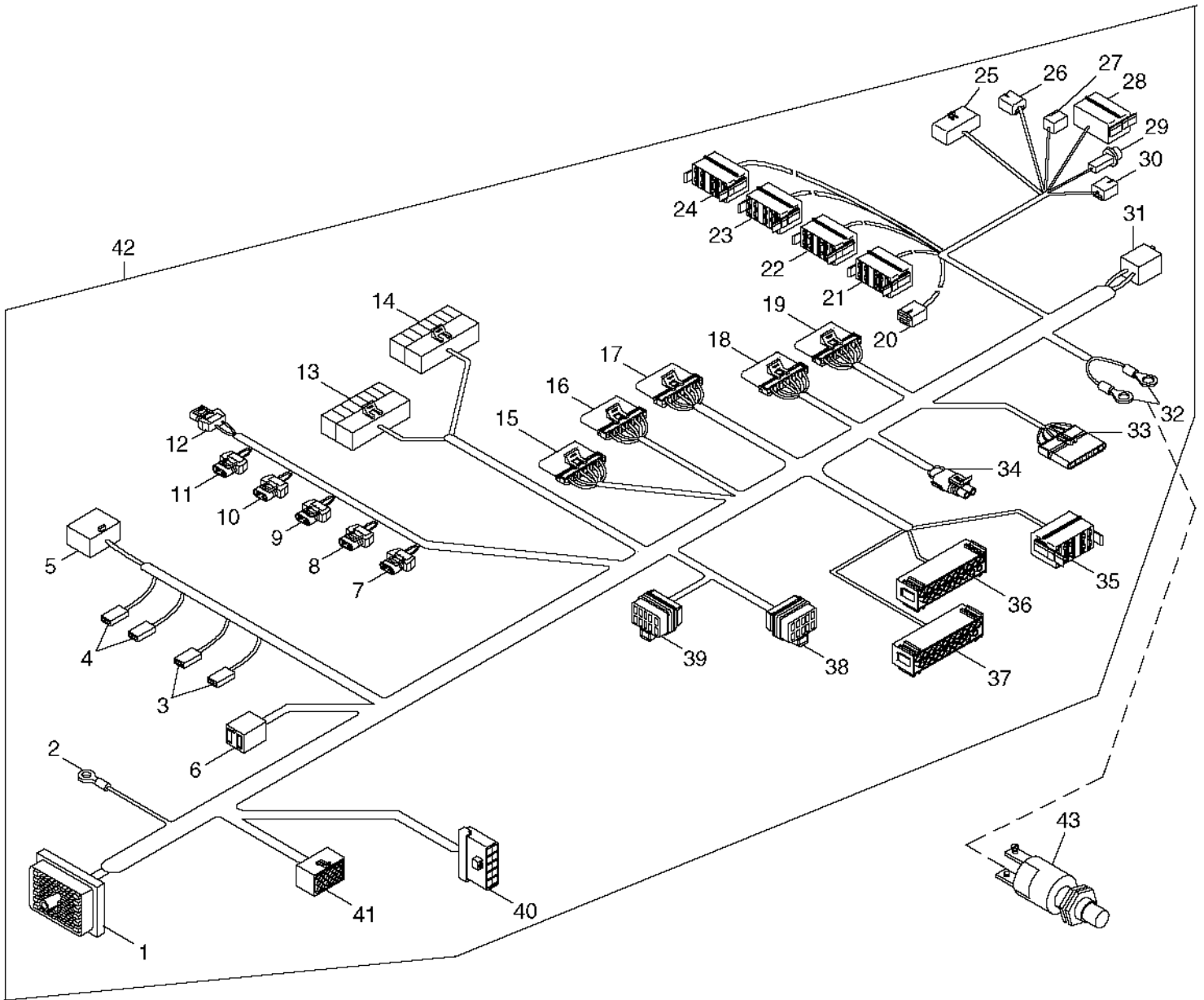
1G6

ELECTRICAL

R.H. MAIN WIRING HARNESS, W/GREENSTAR - CONTINUED

KEY	PART NO.	PART NAME	QTY	SERIAL NO.	REMARKS
				9 9	
				6 7	
				5 5	
				0 0	
1	57M7696	RECEPTACLE CONNECTOR BODY	1	X X	L.H. MAIN WIRING HARNESS
	57M7698	INSULATING SLEEVE	1	X X	
2	CONNECTOR	1	X X	R.H. REAR TURN SIGNAL LIGHT
3	RE12363	CONNECTOR	1	X X	ENGINE SERVICE LIGHT SWITCH
4	R78053	PIN CONTACT CONNECTOR BODY	1	X X	REAR DISCHARGE LIGHT
5	CONNECTOR	1	X X	R.H. REAR WARNING LIGHT
6	SOCKET CONTACT	1	X X	(ORDER AH140120) R.H. CENTER SIDE MARKER LIGHT
7	CONNECTOR	1	X X	SHOE LIGHT
8	RE12363	CONNECTOR	1	X X	R.H. WARNING LIGHT
9	RE12363	CONNECTOR	1	X X	ROTARY SCREEN SERVICE LIGHT
10	57M7276	CONNECTOR	1	X X	HARVESTRAK PRE-AMP
11	T28583	RECEPTACLE CONNECTOR BODY	1	X X	FUEL PUMP
12	57M7262	RECEPTACLE CONNECTOR BODY	1	X X	HARVESTRAK SENSOR HARNESS
13	57M7813	RECEPTACLE	1	X X	FUEL LEVEL
14	R78053	PIN CONTACT CONNECTOR BODY	1	X X	GULLWING LIGHTS
15	57M7666	RECEPTACLE	1	X X	ENGINE HARNESS
16	CONNECTOR	1	X X	MOISTURE SENSOR EXTENSION
	AH163400	WIRING HARNESS	1	X X	DUST CAP (12-WAY W/JUMPER)
17	R78053	PIN CONTACT CONNECTOR BODY	1	X X	CONCAVE SPEED SENSOR
18	R78053	PIN CONTACT CONNECTOR BODY	1	X X	CONCAVE ADJUST ACTUATOR
19	RE12364	SOCKET CONT.CONNECTOR BODY	1	X X	CONCAVE SENSOR
20	R78053	PIN CONTACT CONNECTOR BODY	1	X X	FAN SPEED SENSOR
21	CONNECTOR	1	X X	POSITON SENSOR
22	CONNECTOR	1	X X	L.H. MAIN CONNECTOR
23	AH166984	WIRING HARNESS	1	X X	R.H. MAIN (W/GREENSTAR)
..	H117952	CLAMP	6	X X	
..	AH140120	KIT	1	X X	LIGHT REPAIR

MAIN CAB WIRING HARNESS
HP8137 -UN-19FEB99



HP8137

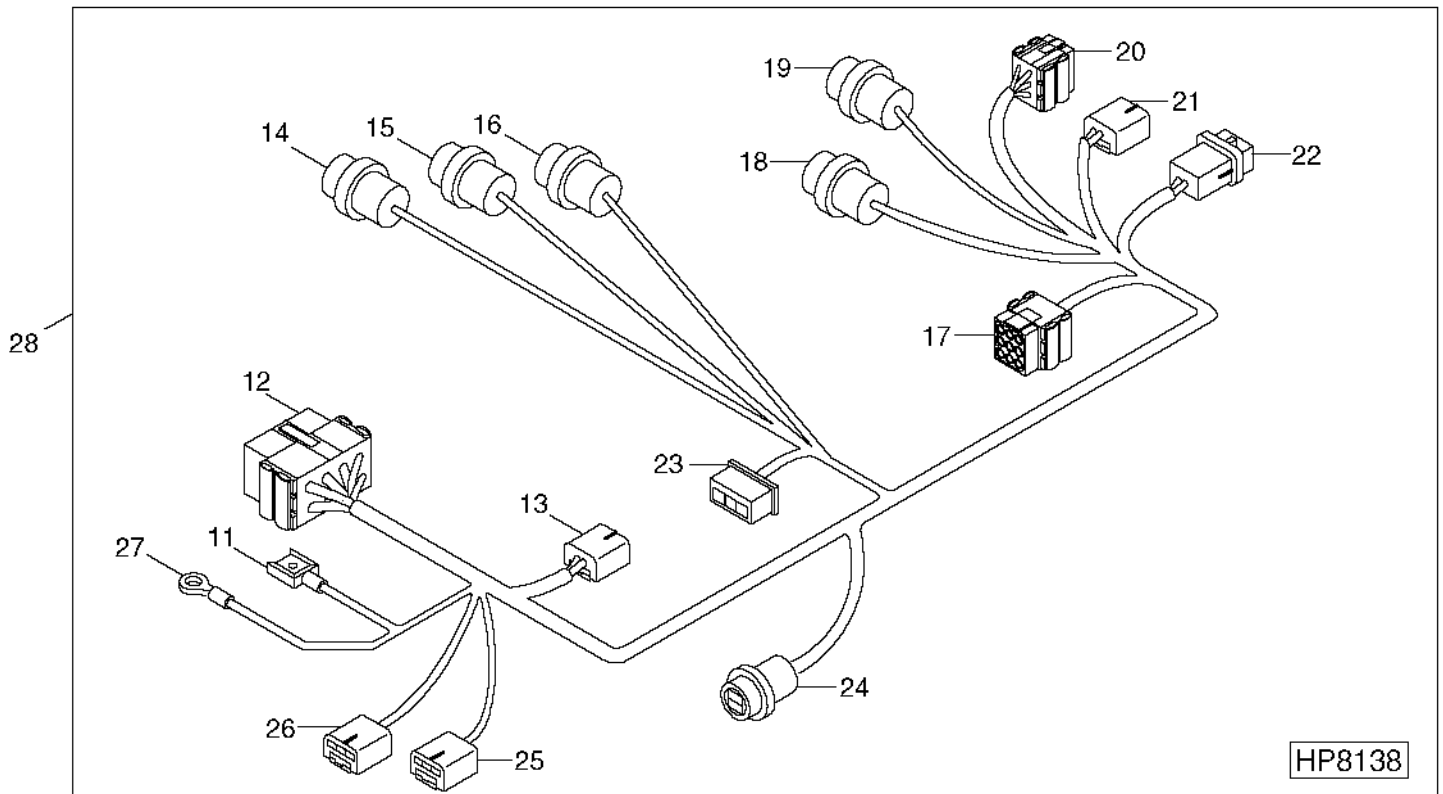
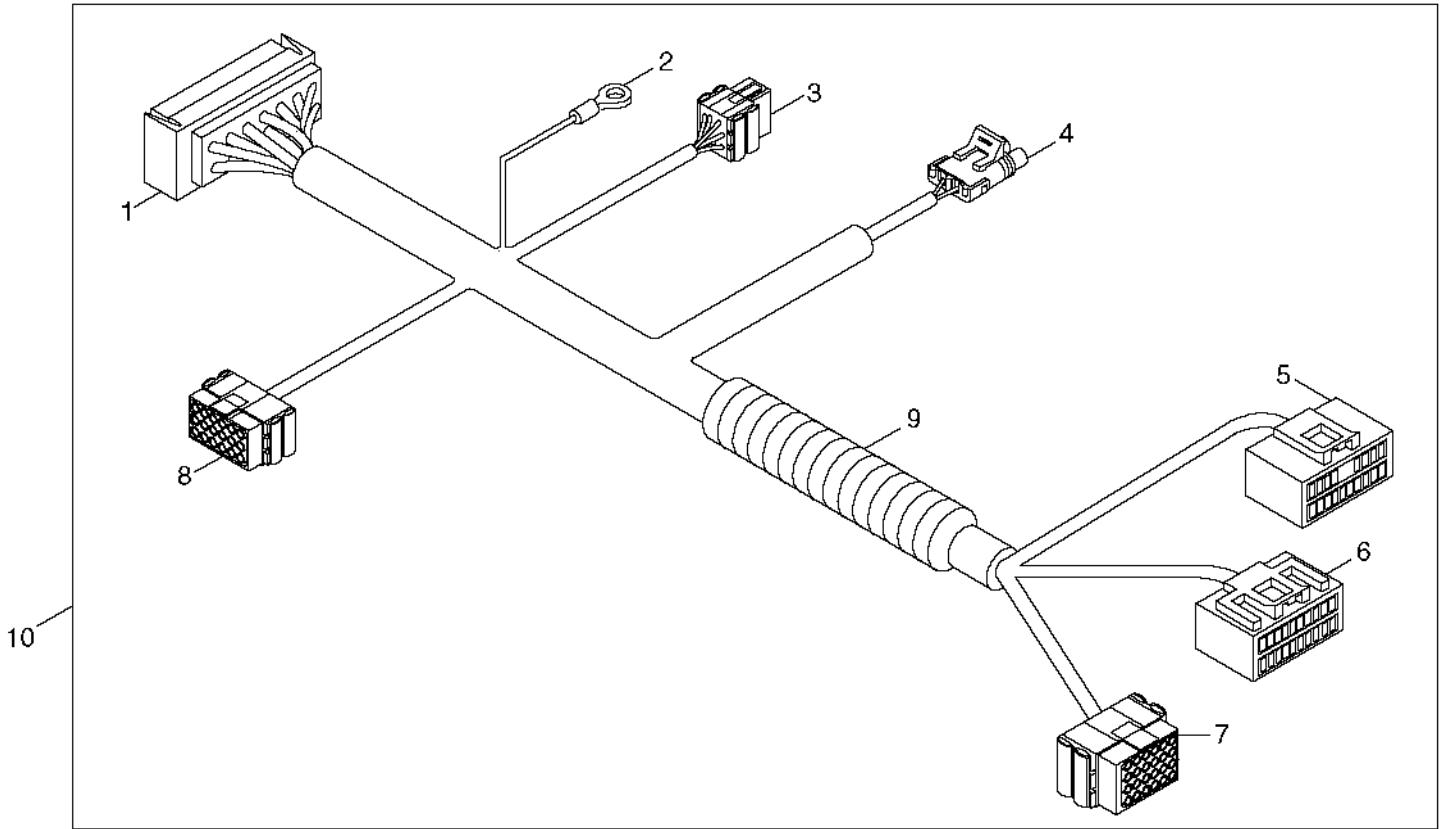
MAIN CAB WIRING HARNESS - CONTINUED

KEY	PART NO.	PART NAME	QTY	SERIAL NO.	REMARKS
				9 9	
				6 7	
				5 5	
				0 0	
1	57M7692	PIN CONTACT CONNECTOR BODY	1	X X	LEFT MAIN HARNESS
	57M7695	INSULATING SLEEVE	2	X X	
2	CONNECTOR	1	X X	CAB GROUND
3	CONNECTOR	2	X X	PANEL LAMP
4	CONNECTOR	2	X X	DOME LAMP
5	R48887	TAB CONNECTOR BODY	1	X X	DOME LAMP SWITCH
6	R104927	ELECTRICAL PLUG	1	X X	RIGHT SPEAKER
7	CONNECTOR	1	X X	RIGHT OUTSIDE ROAD LAMP
8	CONNECTOR	1	X X	RIGHT SIDE FIELD LAMP
9	CONNECTOR	1	X X	RIGHT INSIDE ROAD LAMP
10	CONNECTOR	1	X X	LEFT INSIDE ROAD LAMP
11	CONNECTOR	1	X X	LEFT SIDE FIELD LAMP
12	CONNECTOR	1	X X	LEFT OUTSIDE ROAD LAMP
13	CONNECTOR	1	X X	R.H. CORNERPOST
14	57M7471	CONNECTOR	1	X X	R.H. CORNERPOST
15	CONNECTOR	1	X X	
16	CONNECTOR	1	X X	
17	CONNECTOR	1	X X	
18	CONNECTOR	1	X X	
19	CONNECTOR	1	X X	
20	CONNECTOR	1	X X	LAMP DIMMER
	57M7726	ELECTRICAL PLUG	1	X X	
21	CONNECTOR	1	X X	HAZARD SWITCH
22	CONNECTOR	1	X X	ROAD SWITCH
23	CONNECTOR	1	X X	FIELD SWITCH
24	CONNECTOR	1	X X	STUBBLE/CHOPPER SWITCH
25	57M7488	RECEPTACLE CONNECTOR BODY	1	X X	RADIO
26	CONNECTOR	1	X X	FAN SPEED
27	57M7785	RECEPTACLE	1	X X	AXLE FAN SWITCH
	57M7724	ELECTRICAL PLUG	1	X X	
28	CONNECTOR	1	X X	MODE
29	57M7792	ELECTRICAL PLUG	1	X X	DIAGNOSTIC LED
30	CONNECTOR	1	X X	TEMP SET
31	R104927	ELECTRICAL PLUG	1	X X	LEFT SPEAKER
32	CONNECTOR	1	X X	DOOR SWITCH
33	CONNECTOR	1	X X	
34	RE12363	CONNECTOR	1	X X	WIPER MOTOR
35	CONNECTOR	1	X X	WIPER SWITCH
36	Z55270	TERMINAL	1	X X	WARNING DISPLAY PANEL J2
37	Z55270	TERMINAL	1	X X	WARNING DISPLAY PANEL J1
38	57M7262	RECEPTACLE CONNECTOR BODY	1	X X	GREENSTAR DISPLAY
39	CONNECTOR	1	X X	MAPPING COMPUTER
40	57M7792	ELECTRICAL PLUG	1	X X	A/C HARNESS
41	CONNECTOR	1	X X	ARMREST HARNESS
42	AH166145	CAB WIRING HARNESS	1	X X	MAIN CAB, W/GREENSTAR
43	RE51234	DOOR LIGHT SWITCH	1	X X	

1G9

ELECTRICAL

ARMREST WIRING HARNESS
HP8138 -UN-08APR99



HP8138

1G10

ELECTRICAL

ARMREST WIRING HARNESS - CONTINUED

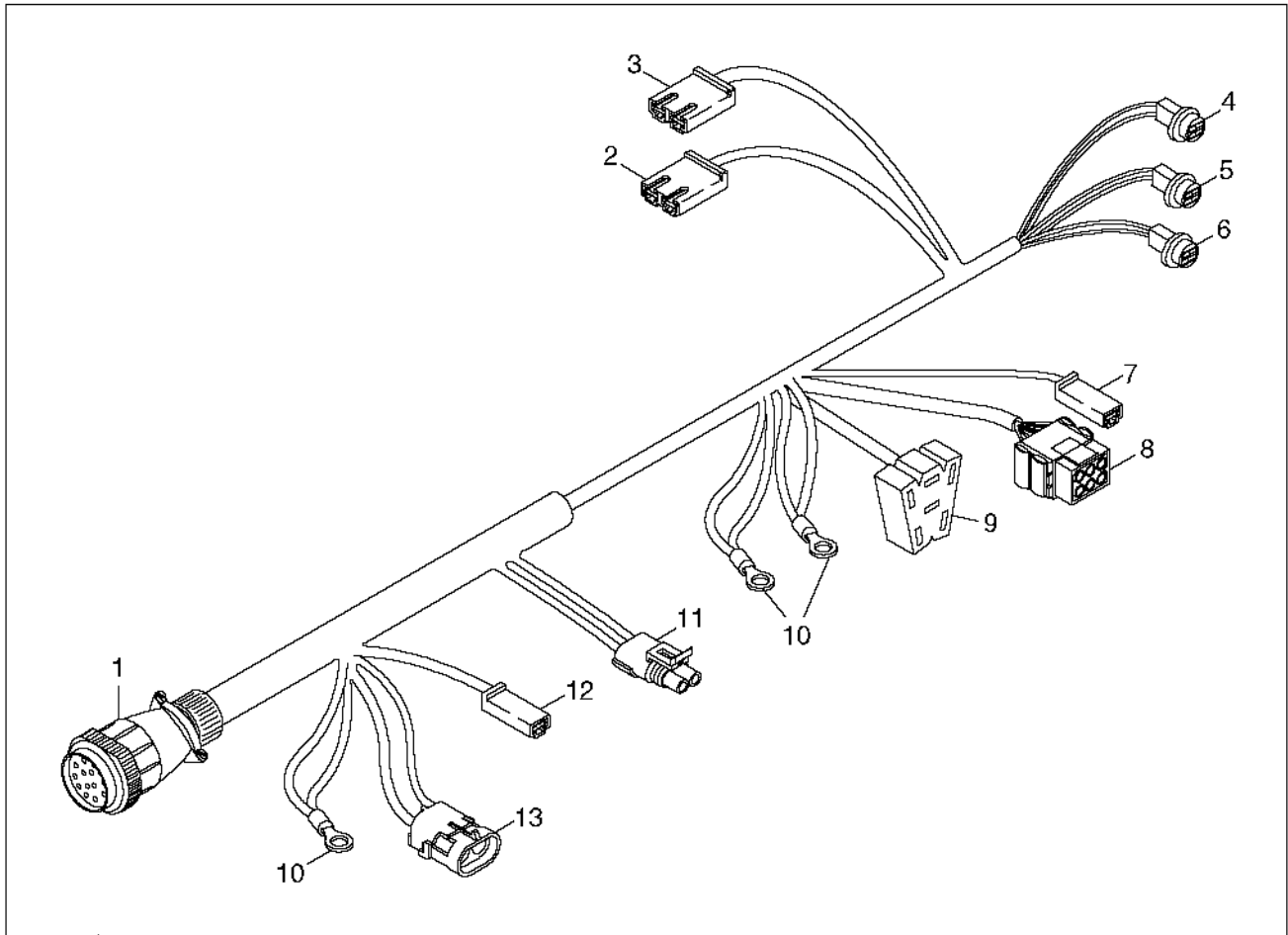
KEY	PART NO.	PART NAME	QTY	SERIAL NO.	REMARKS
				9 9	
				6 7	
				5 5	
				0 0	
1	57M7853	CONNECTOR	1	X X	LEFT MAIN HARNESS
2	57M7572	TERMINAL	1	X X	CAB GROUND
3	R77738	CONNECTOR	1	X X	TO A/C HARNESS CAN BUS
4	RE12363	CONNECTOR	1	X X	SEAT SWITCH
5	CONNECTOR	1	X X	CONNECTOR J7
6	CONNECTOR	1	X X	CONNECTOR J6-2
7	57M7817	ELECTRICAL PLUG	1	X X	MINI ARMREST HARNESS
8	CONNECTOR	1	X X	CAB MAIN HARNESS
9	N218670	HOSE	1	X X	
10	AH162785	WIRING HARNESS	1	X X	ARMREST MAIN
11	U46662	TERMINAL	1	X X	CIGAR LIGHTER GROUND
12	CONNECTOR	1	X X	ARM REST MAIN HARNESS
13	57M7785	RECEPTACLE	1	X X	NEUTRAL GATE REVERSE
	57M7724	ELECTRICAL PLUG	1	X X	
14	CONNECTOR	1	X X	BACKLIGHT NO. 4
15	CONNECTOR	1	X X	BACKLIGHT NO. 3
16	CONNECTOR	1	X X	BACKLIGHT NO. 2
17	CONNECTOR	1	X X	ARMREST BOARD
18	CONNECTOR	1	X X	BACKLIGHT NO. 5
19	CONNECTOR	1	X X	BACKLIGHT NO. 6
20	AH116902	CONNECTOR	1	X X	DIAL-A-SPEED
21	57M7726	ELECTRICAL PLUG	1	X X	HEIGHT CONTROL ENCODER
22	57M7723	ELECTRICAL PLUG	1	X X	SOLAR SENSOR
23	CONNECTOR	1	X X	MEMBRANE SWITCH, GRD PLN
24	CONNECTOR	1	X X	BACKLIGHT NO. 1
25	57M7726	ELECTRICAL PLUG	1	X X	RATE ADJUST
26	57M7726	ELECTRICAL PLUG	1	X X	SENSITIVITY ADJUST
27	CONNECTOR	1	X X	CIGAR LIGHTER POWER
28	AH161601	WIRING HARNESS	1	X X	MINI ARMREST

1G11

ELECTRICAL

STEERING COLUMN WIRING HARNESS

HP8150 -UN-20JAN99



14

HP8150

1G12

ELECTRICAL

STEERING COLUMN WIRING HARNESS - CONTINUED

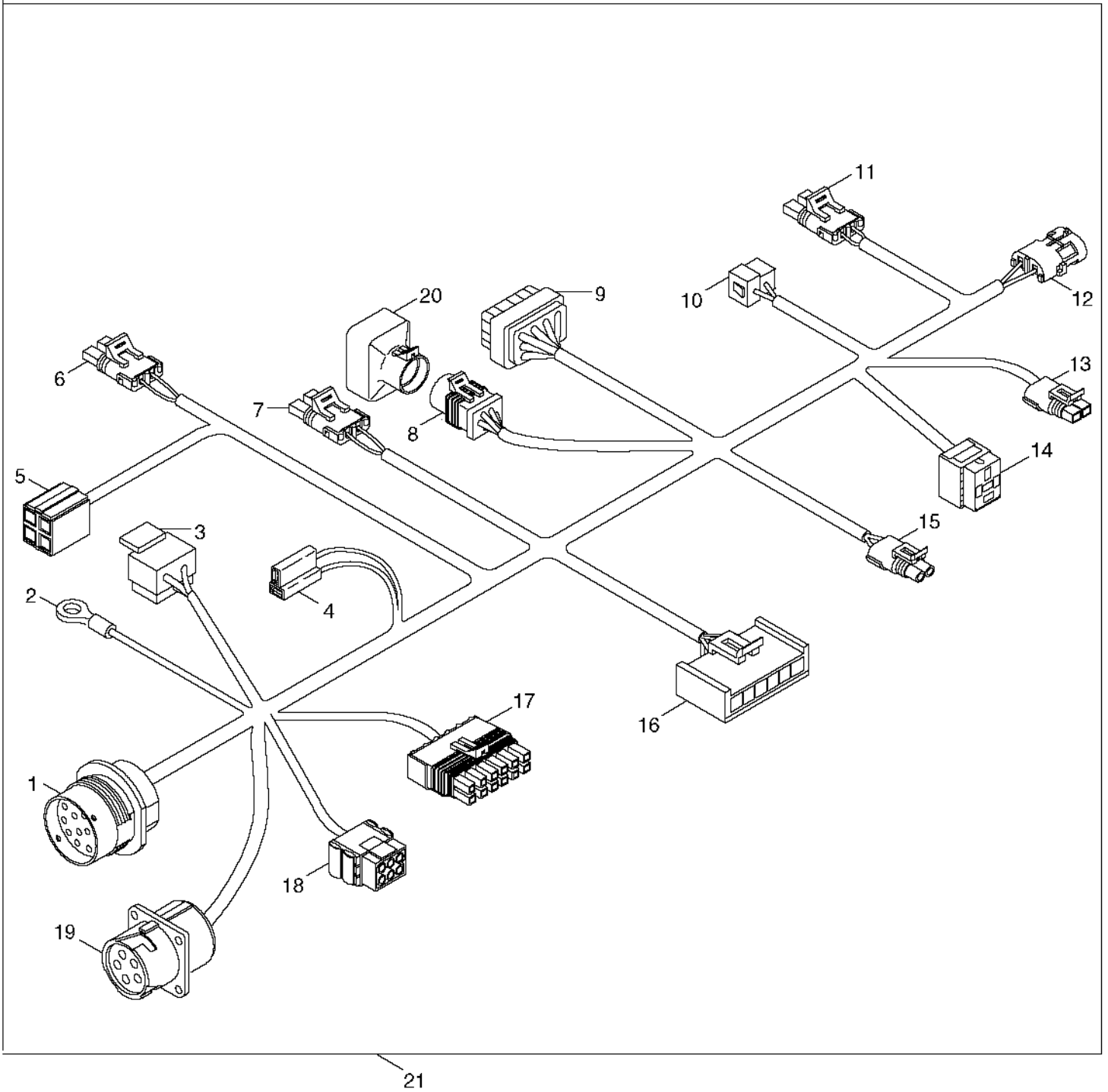
KEY	PART NO.	PART NAME	QTY	SERIAL NO.	REMARKS
				9 9	
				6 7	
				5 5	
				0 0	
1	H140664	CONNECTOR	1	X X	L.H. MAIN WIRING HARNESS
	AN152467	CONNECTOR	1	X X	
2	R77480	RECEPTACLE CONNECTOR BODY	1	X X	HORN SWITCH
3	R77480	RECEPTACLE CONNECTOR BODY	1	X X	STARTING AID SWITCH
4	CONNECTOR	1	X X	MAX TILT INDICATOR
5	CONNECTOR	1	X X	RIGHT TURN INDICATOR
6	CONNECTOR	1	X X	LEFT TURN INDICATOR
7	T28583	RECEPTACLE CONNECTOR BODY	1	X X	IGNITION
8	57M7820	RECEPTACLE	1	X X	TURN SIGNAL
9	L38238	TEE FITTING	1	X X	IGNITION SWITCH
10	57M7112	TERMINAL	2	X X	GROUND
	R65599	TERMINAL	1	X X	GROUND
11	RE12363	CONNECTOR	1	X X	PARK BRAKE
12	57M7462	CONNECTOR	1	X X	HORN
13	R78053	PIN CONTACT CONNECTOR BODY	1	X X	FLOAT GAUGE LIGHT
14	AH165583	WIRING HARNESS	1	X X	STEERING COLUMN

1G13

ELECTRICAL

AIR CONDITIONING WIRING HARNESS

HP9273 -UN-12NOV99



HP9273

1G14

ELECTRICAL

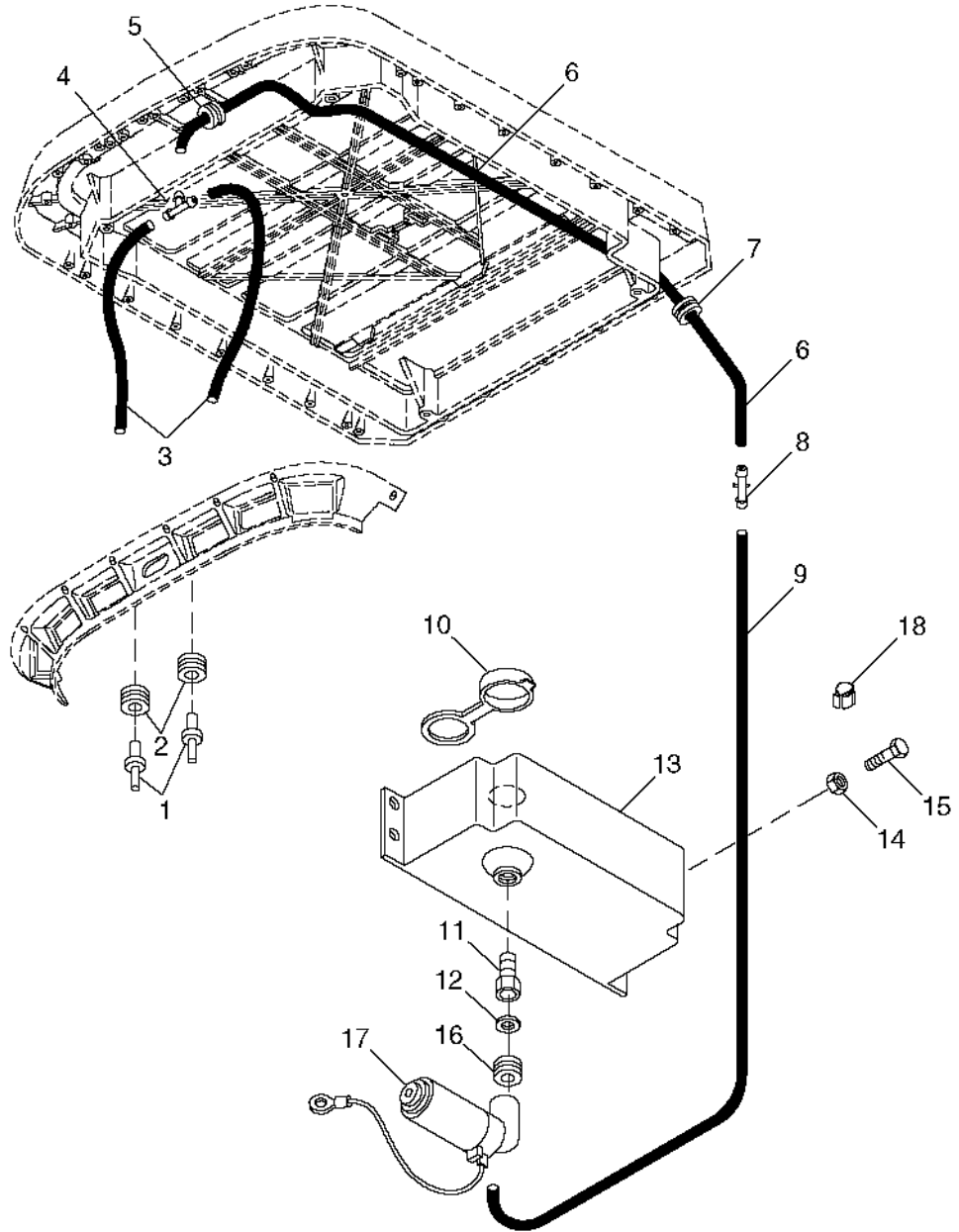
AIR CONDITIONING WIRING HARNESS - CONTINUED

KEY	PART NO.	PART NAME	QTY	SERIAL NO.	REMARKS
				9 9	
				6 7	
				5 5	
				0 0	
1	57M8044	RECEPTACLE	1	X X	CAB WALL CONNECTOR
2	57M7118	TERMINAL	1	X X	MAIN GROUNDS
	57M7572	TERMINAL	1	X X	
3	T106409	CONNECTOR	1	X X	CONVENIENCE OUTLET
4	57M7144	RECEPTACLE CONNECTOR BODY	1	X X	AIR RIDE SEAT
5	CONNECTOR	1	X X	RECIRCULATING FAN MOTOR DRIVER
6	57M7813	RECEPTACLE	1	X X	OUTLET TEMPERATURE SENSOR
7	57M7813	RECEPTACLE	1	X X	AMBIENT AIR TEMPERATURE SENSOR
8	57M7538	RECEPTACLE CONNECTOR BODY	1	X X	CAN BUS TERMINATOR
	57M7540	INSULATING CAPSULE	1	X X	
9	CONNECTOR	1	X X	CONTROL MODULE
10	57M7144	RECEPTACLE CONNECTOR BODY	1	X X	PRESSURIZER FAN
11	57M7254	RECEPTACLE CONNECTOR BODY	1	X X	CORE TEMPERATURE PROBE
12	R78053	PIN CONTACT CONNECTOR BODY	1	X X	LOW PRESSURE SWITCH
13	57M7813	RECEPTACLE	1	X X	INLET AIR TEMPERATURE CONNECTOR
14	ET15766	CONNECTOR BODY,(PIN&SOCKET)	1	X X	PRESSURIZER FAN RELAY
15	RE12363	CONNECTOR	1	X X	DIAGNOSTIC SELECT
16	CONNECTOR	1	X X	WATER VALVE
17	CONNECTOR	1	X X	CAB MAIN
18	Z55272	ELECTRICAL PLUG	1	X X	ARMREST CAN BUS
19	57M7919	RECEPTACLE	1	X X	CAN BUS DIAGNOSTIC
	57M7923	INSULATING SLEEVE	1	X X	
20	RE70773	DEVICE	1	X X	CAN TERMINATOR (6 PIN)
21	AH166144	WIRING HARNESS	1	X X	AIR CONDITIONING

1G15

ELECTRICAL

WINDSHIELD WASHER
HP9686 -UN-07APR00



HP9686

1G16

ELECTRICAL

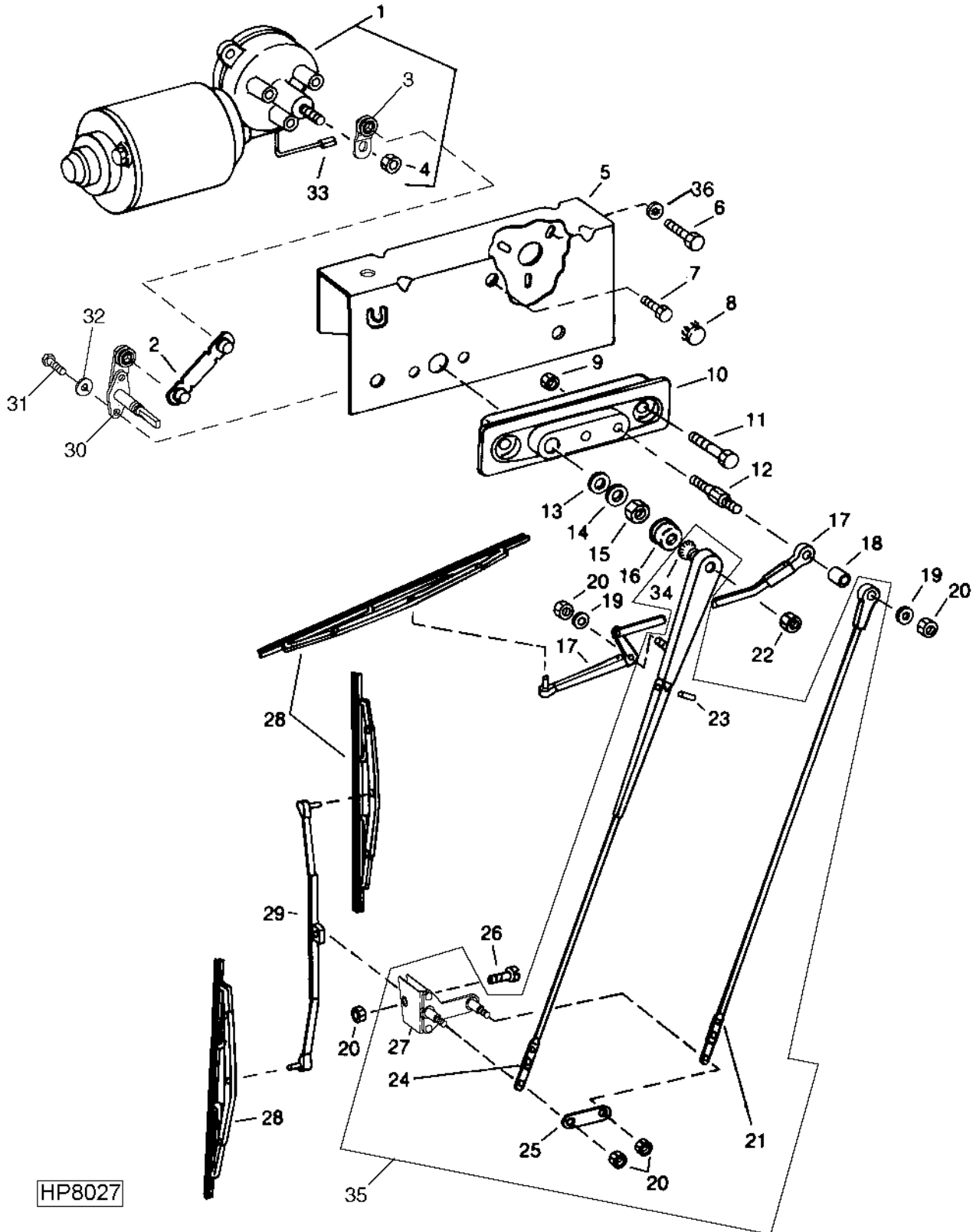
WINDSHIELD WASHER - CONTINUED

KEY	PART NO.	PART NAME	QTY	SERIAL NO.	REMARKS
				9 9	
				6 7	
				5 5	
				0 0	
1	AH165691	NOZZLE	2		
2	H145221	GROMMET	2		
3	R54445	HOSE	2		(200MM, L.H.)(600MM, R.H.)
4	H171555	TEE FITTING	1		
5	M68701	GROMMET	1		
6	R54445	HOSE	1		CUT TO LENGTH
7	H987R	GROMMET	1		
8	H132597	FITTING	1		
9	R54445	HOSE	1		1380MM
10	R64060	CAP	1		
11	AR79550	FILTER	1		
12	R64059	WASHER	1		
13	R64056	RESERVOIR	1		
14	14M7303	FLANGE NUT	4		M6
15	19M7775	SCREW	4		M6 X 16
16	R64058	GROMMET	1		
17	AR79549	PUMP	1		
18	H172197	HOSE CLAMP	AR		
..	BH81578	COMPLETE GOODS/SHIP. BUNDLE	1		WINDSHIELD WASHER

1G17

ELECTRICAL

WINDSHIELD WIPER (OPT. LONG)
HP8027 -UN-13JAN99



HP8027

1G18

ELECTRICAL

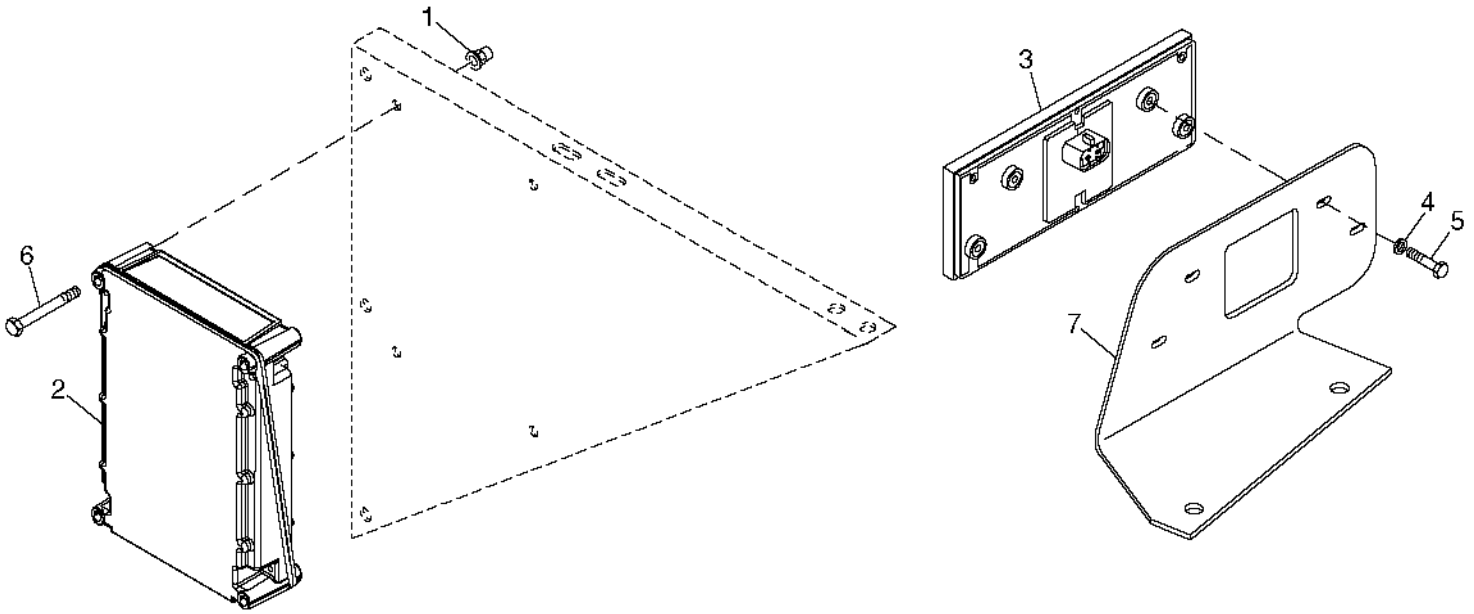
WINDSHIELD WIPER (OPT. LONG) - CONTINUED

KEY	PART NO.	PART NAME	QTY	SERIAL NO.	REMARKS
				9 9	
				6 7	
				5 5	
				0 0	
1	AH149835	WIPER MOTOR	1	X X	
2	AH123902	LINK	1	X X	
3	AH149834	CRANK	1	X X	
4	LOCK NUT	1	X X	
5	AH154278	BRACKET	1	X X	
6	19M7774	SCREW	3	X X	M6 X 12
7	19M7865	SCREW	1	X X	M8 X 16
8	M61266	PLUG	1	X X	
9	14M7303	FLANGE NUT	1	X X	M6
10	H128820	SUPPORT	1	X X	
11	19M8317	SCREW	2	X X	M8 X 40
12	H128821	STUD	1	X X	
13	R63666	WASHER	1	X X	
14	R63667	WASHER	1	X X	
15	R63668	NUT	1	X X	17.475 MM
16	R63669	CAP	1	X X	
17	AH123908	WIPER ARM	1	X X	
18	H128841	SPACER	1	X X	6.500 X 12 X 20 MM
19	T32255	SHIM	2	X X	
20	T531T	LOCK NUT	5	X X	4.775 MM
21	ARM	1	X X	
22	F3220R	LOCK NUT	1	X X	9.525 MM
23	PIN	1	X X	FOR SHIPPING ONLY
24	AH123905	ARM	1	X X	
25	H128823	STRAP	1	X X	
26	H128859	SCREW	1	X X	4.826 X 22.280 MM
27	AH123910	BRACKET	1	X X	
28	TY16302	WIPER BLADE	3	X X	
29	AH123911	WIPER ARM	1	X X	
30	AH149833	SHAFT	1	X X	
31	21M7265	SCREW	2	X X	M5 X 12
32	12M7060	WASHER	2	X X	5.300 MM
33	R78053	PIN CONTACT CONNECTOR BODY	1	X X	(PKG. OF 3)
	R78058	PIN CONTACT	1	X X	(PKG. OF 40)
	R78063	TERMINAL NIPPLE	1	X X	(PKG. OF 40)
34	R63670	WELD NUT	1	X X	
35	AH123904	WIPER ARM	1	X X	
36	12H356	LOCK WASHER	3	X X	6.350 MM

1G19

ELECTRICAL

GRAIN LOSS MONITOR SYSTEM
HP9710 -UN-08MAY00



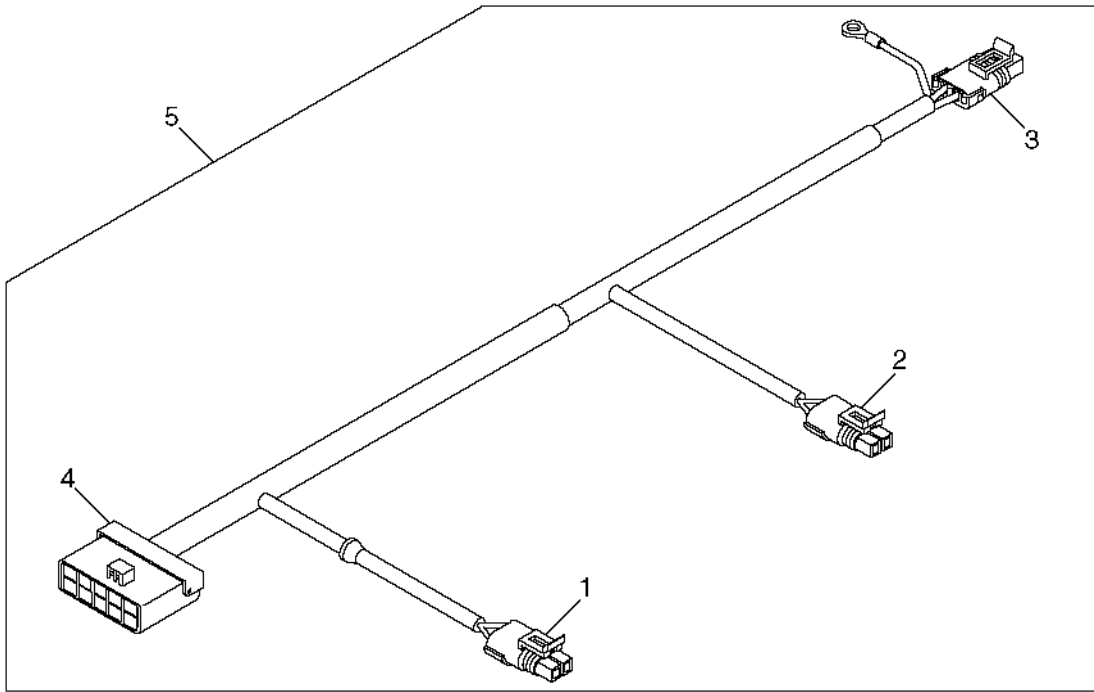
HP9710

KEY	PART NO.	PART NAME	QTY	SERIAL NO.	REMARKS
				9 9	
				6 7	
				5 5	
				0 0	
1	Z51633	NUT	4	X X	
2	AH165536	CONTROL	1	X X	(SUB AH167722) GRAIN LOSS MONITOR (ATTACH TO WIRING HARNESS)
	AH167722	CONTROL	1	X X	
3	AH166546	SENSOR	4	X X	(SUB FOR AH126272)
4	12H295	LOCK WASHER	16	X X	
5	21H1427	SCREW	16	X X	0.190" X 1/2"
6	19M7685	CAP SCREW	4	X X	M6 X 70
7	H164901	BRACKET	1	X X	

1G20

ELECTRICAL

HARVESTRAK WIRING HARNESS
 HP8588 -UN-20MAY99



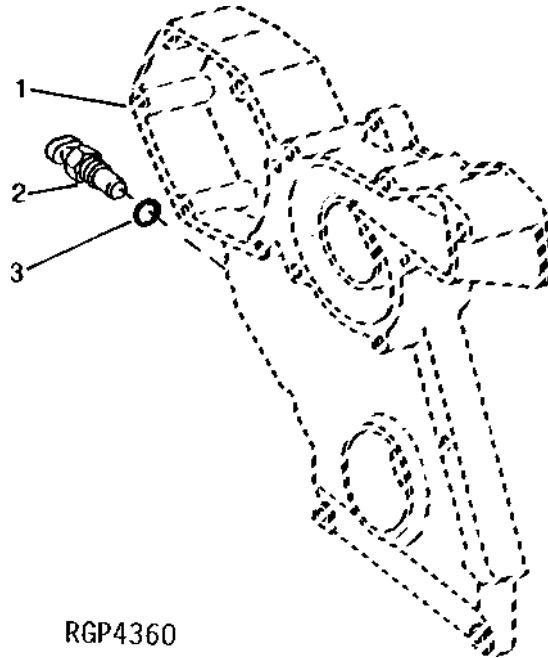
HP8588

KEY	PART NO.	PART NAME	QTY	SERIAL NO.	REMARKS
				9 9	
				6 7	
				5 5	
				0 0	
1	57M5309	CONNECTOR	1	X X	LEFT SEPARATOR
2	57M5309	CONNECTOR	1	X X	RIGHT SHOE
3	57M5309	CONNECTOR	1	X X	LEFT SHOE
4	57M7265	PIN CONTACT CONNECTOR BODY	1	X X	R.H. MAIN
5	AH165344	WIRING HARNESS	1	X X	

1G21

ELECTRICAL

MAGNETIC PICK-UP
RGP4360 -UN-01JAN94



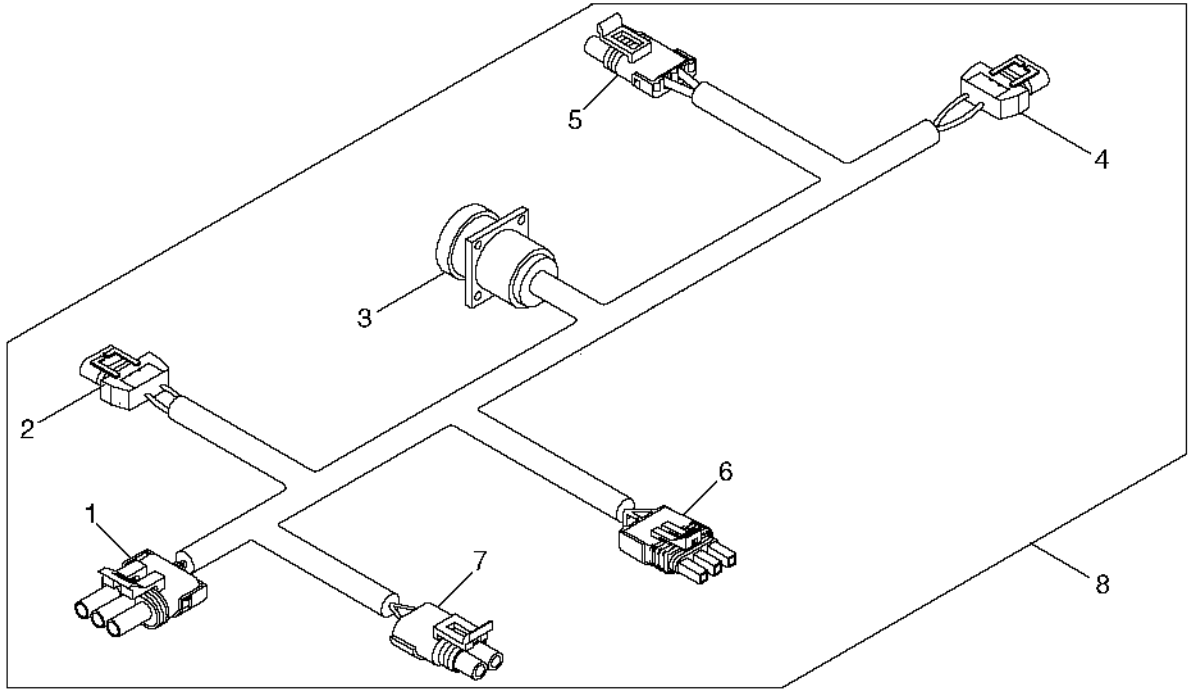
RGP4360

KEY	PART NO.	PART NAME	QTY	ENGINE SERIAL NO.	REMARKS
				9 9	
				6 7	
				5 5	
				0 0	
1	COVER	1	X X	
2	RE71121	SENSOR	1	X X	
3	51M7044	O-RING	1	X X	17.300 X 2.200 MM

1G22

ELECTRICAL

GRAIN TANK WIRING HARNESS
HP8589 -UN-20MAY99



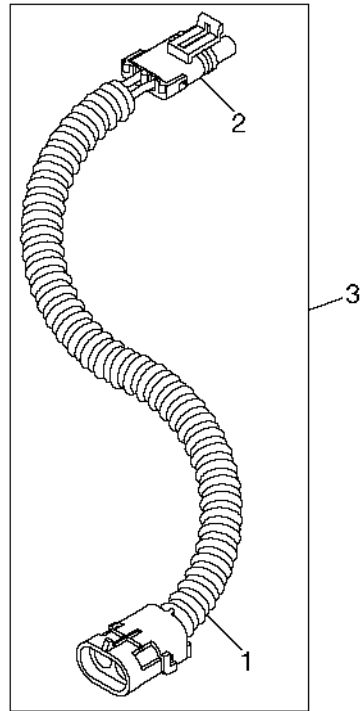
HP8589

KEY	PART NO.	PART NAME	QTY	SERIAL NO.	REMARKS
				9 9	
				6 7	
				5 5	
				0 0	
1	R12365	CONNECTOR	1	X X	MASS FLOW METER
2	CONNECTOR	1	X X	R.H. ROW FINDER LIGHT
3	H140664	CONNECTOR	1	X X	L.H. MAIN HARNESS
4	CONNECTOR	1	X X	L.H. ROW FINDER LAMP
5	R78053	PIN CONTACT CONNECTOR BODY	1	X X	UNLOADING AUGER LIGHT
6	57M7280	CONNECTOR	1	X X	GRAIN TANK LAMP
7	RE12363	CONNECTOR	1	X X	GRAIN TANK FULL SWITCH
8	AH154205	WIRING HARNESS	1	X X	GRAIN TANK

1G23

ELECTRICAL

GROUND SPEED WIRING HARNESS EXTENSION
 HP8838 -UN-20JUL99



HP8838

9 9
 6 7
 5 5
 0 0

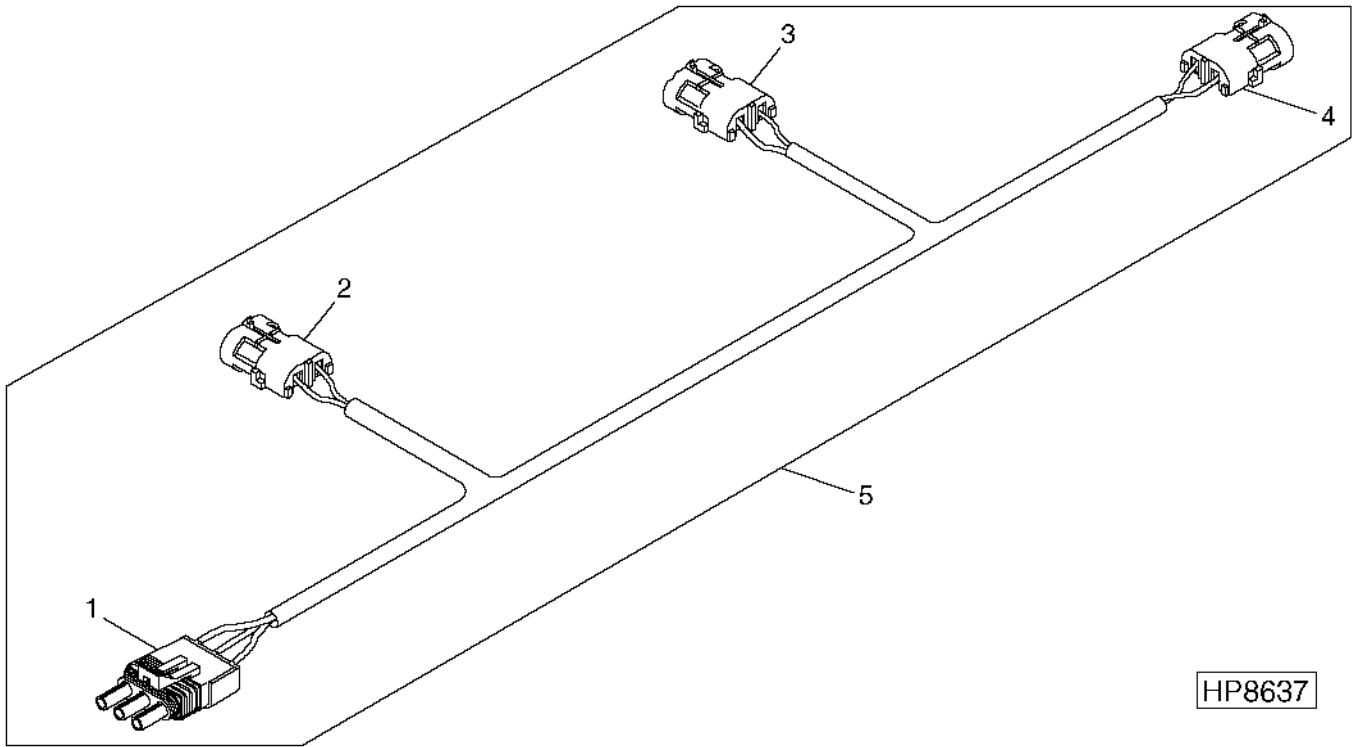
KEY	PART NO.	PART NAME	QTY	SERIAL NO.	REMARKS
1	CONNECTOR	1	X X	GROUND SPEED SENSOR
2	CONNECTOR	1	X X	L.H. MAIN
3	AH166330	WIRING HARNESS	1	X X	

1G24

ELECTRICAL

FOLDING CHOPPER WIRING HARNESS

HP8637 -UN-11JUN99



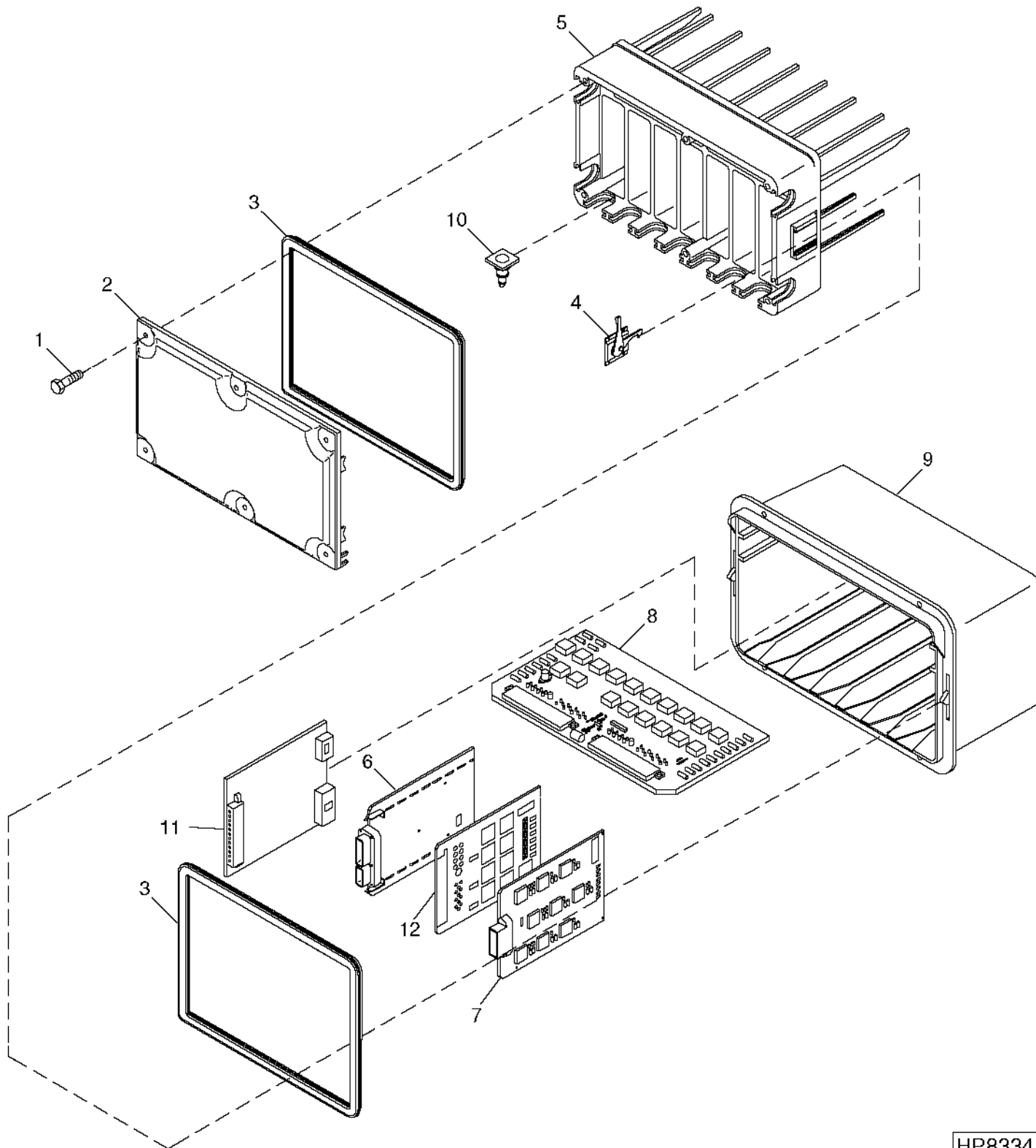
HP8637

KEY	PART NO.	PART NAME	QTY	SERIAL NO.	REMARKS
				9 9	
				6 7	
				5 5	
				0 0	
1	CONNECTOR	1	X X	L.H. MAIN
2	CONNECTOR	1	X X	L.H. MAIN
3	CONNECTOR	1	X X	FOLDING CHOPPER ACTUATOR
4	CONNECTOR	1	X X	LSSM SENSOR
5	AH165883	WIRING HARNESS	1	X X	

1H1

ELECTRICAL

CENTRAL ELECTRONICS MODULE AND CIRCUIT BOARDS
HP8334 -UN-31MAR99



HP8334

CENTRAL ELECTRONICS MODULE AND CIRCUIT BOARDS - CONTINUED

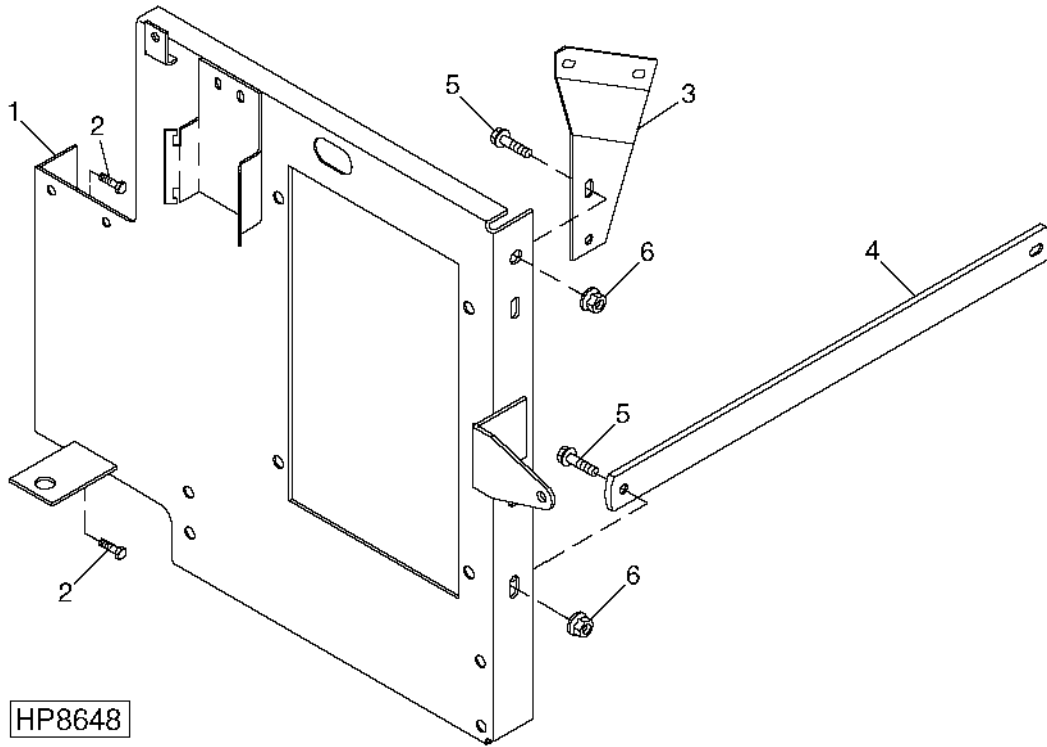
KEY	PART NO.	PART NAME	QTY	SERIAL NO.	REMARKS
				9 9	
				6 7	
				5 5	
				0 0	
1	19M7862	SCREW	6	X X	M6 X 20
2	H142168	COVER	2	X X	
3	H144242	SEAL	2	X X	
4	AH115943	LATCH	2	X X	
5	H142167	COVER	1	X X	
6	AH166125	ELECTRONIC CONTROL UNIT	1	X X	(SUB FOR RE160421) (SUB AH167769) ACTIVE HEADER (WITHOUT LATERAL TILT)
	AH167769	ELECTRONIC CONTROL UNIT	1	X X	ACTIVE HEADER WITHOUT LATERAL TILT
	AH166126	ELECTRONIC CONTROL UNIT	1	X X	(SUB AH167770) (SUB FOR RE160416) ACTIVE HEADER (WITH LATERAL TILT)
	AH167770	ELECTRONIC CONTROL UNIT	1	X X	ACTIVE HEADER WITH LATERAL TILT
	AH166124	ELECTRONIC CONTROL UNIT	1	X X	(SUB FOR RE160425) (SUB AH167768) RETURN TO CUT ONLY
	AH167768	ELECTRONIC CONTROL UNIT	1	X X	RETURN TO CUT ONLY
7	AH161474	CIRCUIT BOARD	1	X X	(SUB AH168939) RELAY
	AH168939	KIT	1	X X	
8	AH157232	CIRCUIT BOARD	1	X X	POWER
	AH148758	RELAY	13	X X	
	57M7120	FUSE	8	X X	20 AMP
	57M7146	FUSE	10	X X	30 AMP
9	H124205	BOX	1	X X	
10	H142169	BOOT	6	X X	
11	AH145964	CIRCUIT BOARD	1	X X	DASH, REEL SPEED
12	AH167108	KIT	1	X X	OPTIONAL POWER

1H3

ELECTRICAL

CENTRAL ELECTRONICS BOARD SUPPORT AND BRACKETS

HP8648 -UN-15JUN99



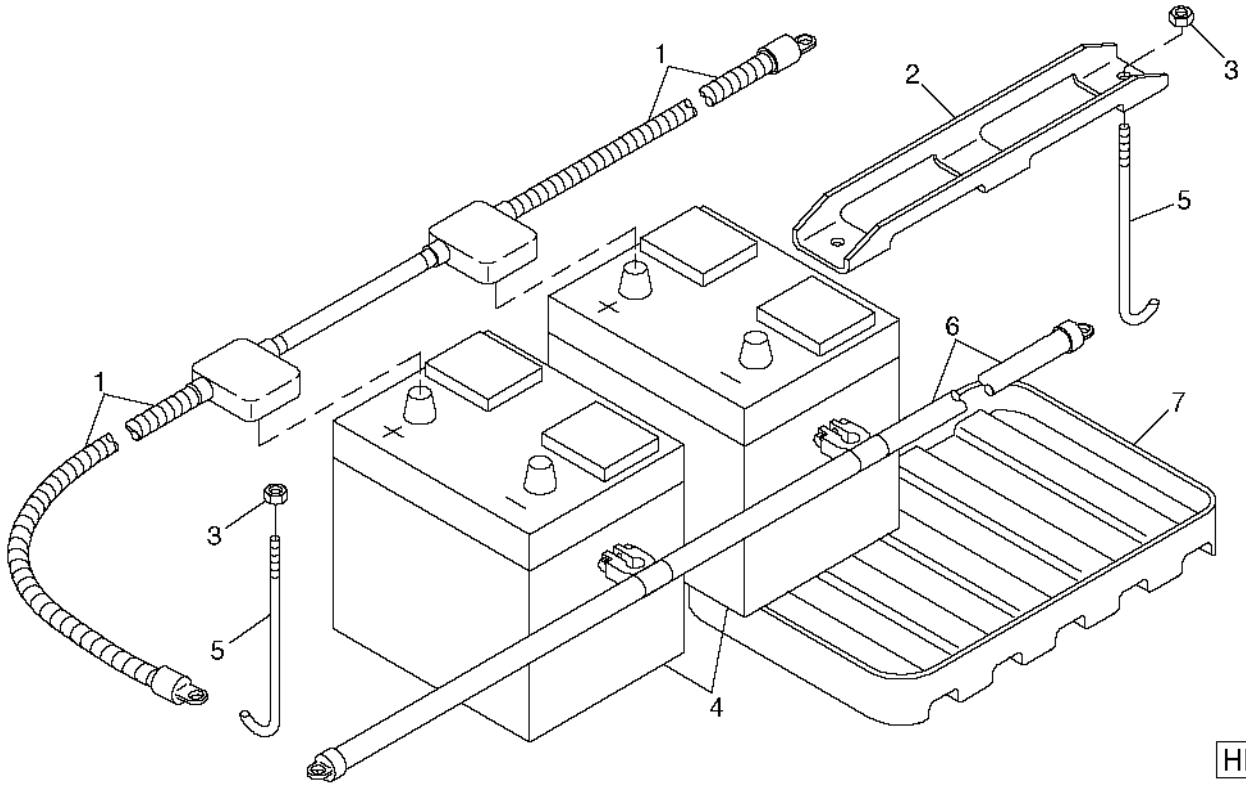
9 9
6 7
5 5
0 0

KEY	PART NO.	PART NAME	QTY	SERIAL NO.	REMARKS
1	AH154722	SUPPORT	1	X X	
2	37M7058	SCREW	2	X X	M8 X 20
3	H166769	BRACE	1	X X	
4	H166794	STRAP	1	X X	
5	19M7866	SCREW	6	X X	M8 X 20
6	14M7298	FLANGE NUT	6	X X	M8

1H4

ELECTRICAL

BATTERIES AND CABLES
HP8185 -UN-16AUG99



HP8185

9 9
6 7
5 5
0 0

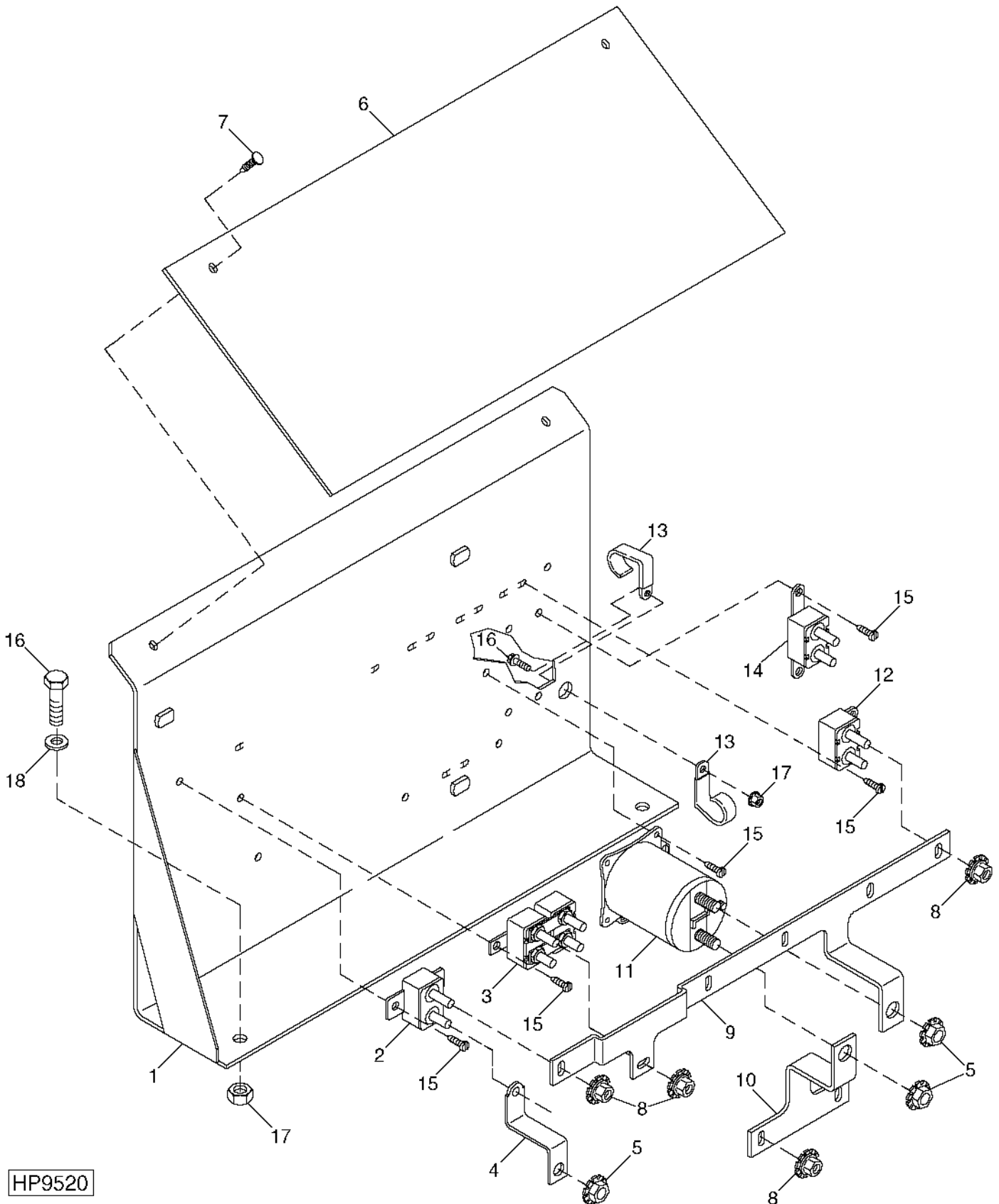
KEY	PART NO.	PART NAME	QTY	SERIAL NO.	REMARKS
1	AH149801	CABLE	1	X X	POSITIVE
2	H134000	CLAMP	1	X X	
3	14M7396	LOCK NUT	2	X X	M8
4	TY21765	BATTERY	2	X X	650 COLD CRANKING AMPS AT 0°F (-18°C), 120-MINUTE RESERVE CAPACITY AT 25 AMPS
5	H158292	HOOK BOLT	2	X X	
6	AH164189	CABLE	1	X X	NEGATIVE
7	H144256	TRAY	2	X X	

1H5

ELECTRICAL

CIRCUIT BREAKER AND RELAY PANEL

HP9520 -UN-28JAN00



HP9520

1H6

ELECTRICAL

CIRCUIT BREAKER AND RELAY PANEL - CONTINUED

KEY	PART NO.	PART NAME	QTY	SERIAL NO.	REMARKS
				9 9	
				6 7	
				5 5	
				0 0	
1	AH160291	PANEL	1	X X	
2	AH112189	CIRCUIT BREAKER	5	X X	50 AMP
3	AH159105	CIRCUIT BREAKER	1	X X	DUAL 50 AMP
4	H125347	STRAP	2	X X	
5	H164872	NUT	4	X X	7.925 MM
6	H162132	FLAP	1	X X	RUBBER
7	H116740	PLUG	2	X X	
8	R32176	NUT	10	X X	
9	H166499	STRAP	1	X X	
10	H165411	STRAP	1	X X	
11	AH160278	RELAY	3	X X	
12	AH160628	CIRCUIT BREAKER	2	X X	30 AMP
13	AH90990	CLIP	2	X X	
14	AH159110	CIRCUIT BREAKER	1	X X	10 AMP
15	37H147	SCREW	AR	X X	(.3750" X .1900")
16	19M7865	SCREW	3	X X	M8 X 16
17	14M7298	FLANGE NUT	3	X X	M8
18	H158845	WASHER	2	X X	

1H7

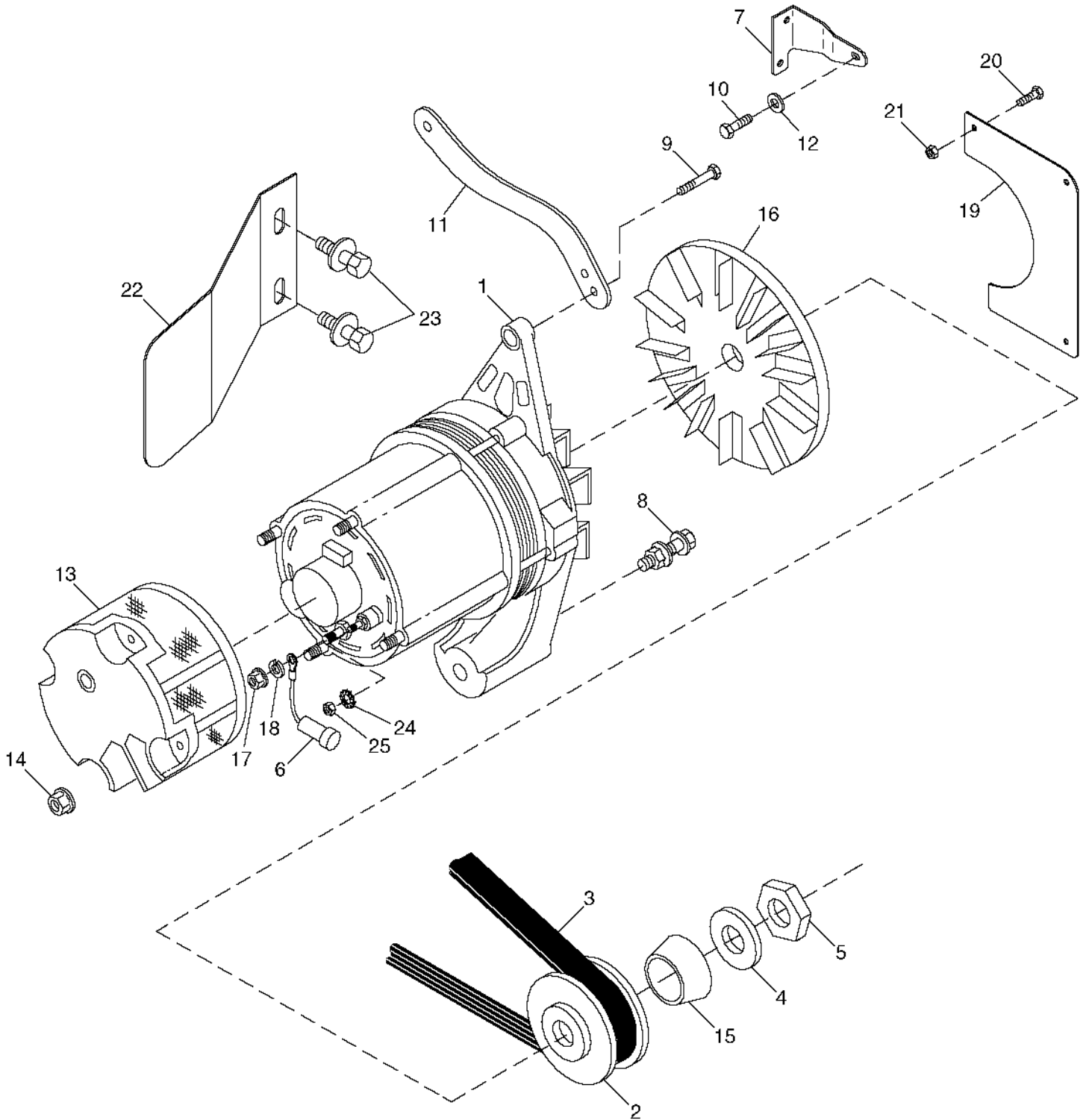
ELECTRICAL

ALTERNATOR, SHEAVE AND BELT

(95 AMP)

HP9591

-UN-27MAR00



HP9591

1H8

ELECTRICAL

**ALTERNATOR, SHEAVE AND BELT - CONTINUED
(95 AMP)**

KEY	PART NO.	PART NAME	QTY	SERIAL NO.	REMARKS
				9 9	
				6 7	
				5 5	
				0 0	
1	TY24485	ALTERNATOR	1	X X	(SUB FOR TY6750) REMANUFACTURED
2	R94350	SHEAVE	1	X X	
3	R135606	BELT	1	X X	
4	T10745	WASHER	1	X X	
5	14M7158	NUT	1	X X	M16
6	AN220289	WIRING HARNESS	1	X X	(SUB AH169733)
	AH169733	WIRING HARNESS	1	X X	
7	R500608	BRACKET	1	X X	
8	19M7944	SCREW	1	X X	M10 X 120
	14M7296	FLANGE NUT	1	X X	
9	19M7867	SCREW	1	X X	M8 X 25
10	19H3239	CAP SCREW	2	X X	
11	R134153	ADJUSTING STRAP	1	X X	
12	24M7239	WASHER	2	X X	
13	AH138291	SCREEN	1	X X	(USE WITH TY6750)
	AT207952	COVER	1	X X	(USE WITH TY24485)
14	14M7375	FLANGE NUT	4	X X	M5
15	R94351	BUSHING	1	X X	
16	T158584	FAN	1	X X	
17	14M7298	FLANGE NUT	1	X X	M8
18	12M7032	LOCK WASHER	1	X X	8.400 MM
19	H169108	PLATE	1	X X	
20	19M7865	SCREW	3	X X	
21	14M7298	FLANGE NUT	3	X X	
22	H165436	DEFLECTOR	1	X X	MOUNT TO THERMOSTAT HOUSING
23	19H2038	CAP SCREW	2	X X	3/8" X 1/2"
	24H1307	WASHER	2	X X	13/32" X 1" X 1/16"
24	12M7060	WASHER	1	X X	5.300 MM
25	14M7297	NUT	1	X X	M5

1H9

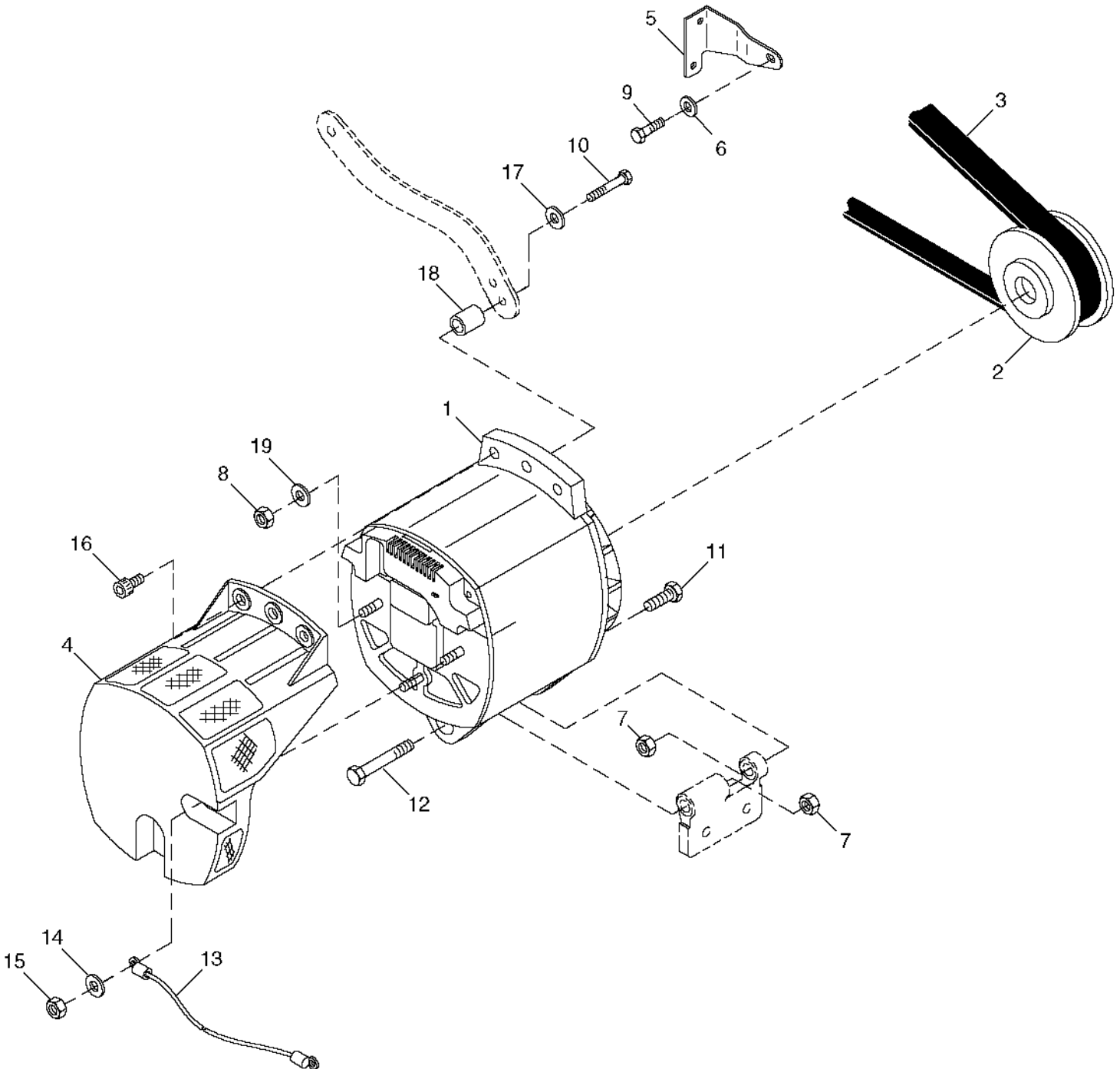
ELECTRICAL

ALTERNATOR, SHEAVE AND BELT

(185 AMP)

HP9150

-UN-06OCT99



HP9150

1H10

ELECTRICAL

**ALTERNATOR, SHEAVE AND BELT - CONTINUED
(185 AMP)**

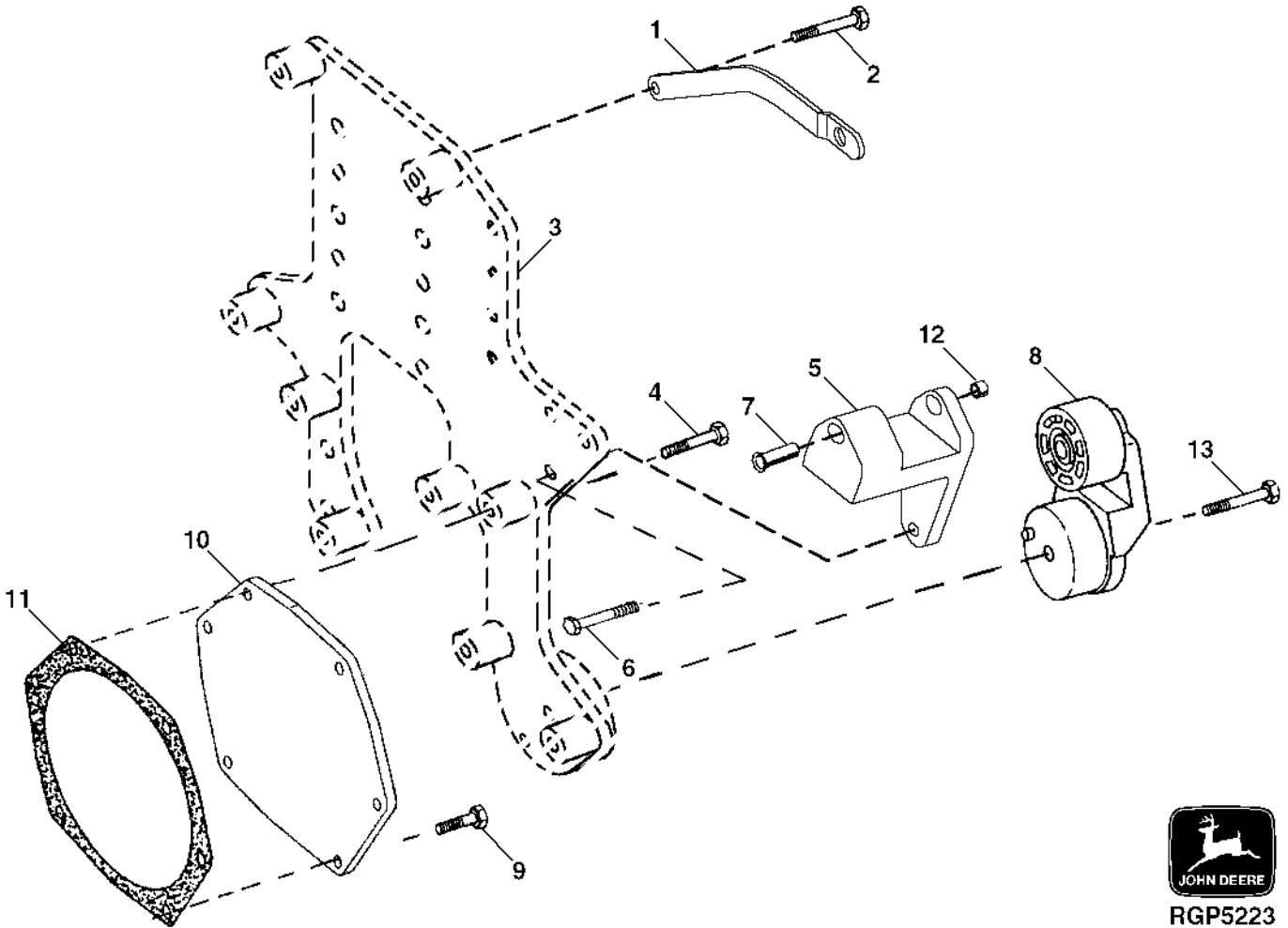
KEY	PART NO.	PART NAME	QTY	SERIAL NO.	REMARKS
				9 9	
				6 7	
				5 5	
				0 0	
1	AH148633	ALTERNATOR	1	X X	REMANUFACTURED
2	H166878	PULLEY	1	X X	
3	R135609	BELT	1	X X	
4	AH163488	SCREEN	1	X X	
5	R500608	BRACKET	1	X X	
6	24M7239	WASHER	3	X X	10.700 X 21 X 2.500 MM
7	14M7299	FLANGE NUT	2	X X	M12
8	14H650	NUT	1	X X	
9	19H3239	CAP SCREW	3	X X	3/8" X 1-1/4"
10	19H2472	CAP SCREW	1	X X	1/2" X 1"
11	19M7791	SCREW	1	X X	M12 X 40
12	19M7817	SCREW	1	X X	M12 X 70
13	AH154383	WIRING HARNESS	1	X X	
14	12H302	LOCK WASHER	1	X X	1/4"
15	14H860	NUT	1	X X	1/4"
16	19H2934	SCREW	1	X X	1/2" X 3/4"
17	24M7047	WASHER	1	X X	13 X 24 X 2.500 MM
18	24M7180	WASHER	1	X X	13 X 37 X 3 MM
19	24H1776	WASHER	1	X X	5/16" X 47/64" X 0.065"
..	AH167604	VOLTAGE REGULATOR	1	X X	
..	BH81579	COMPLETE GOODS/SHIP. BUNDLE	1	X X	185 AMP ALTERNATOR CONVERSION

1H11

ELECTRICAL

ALTERNATOR SUPPORT AND ADJUSTING STRAP

RGP5223 -UN-11JUN99



RGP5223

1H12

ELECTRICAL

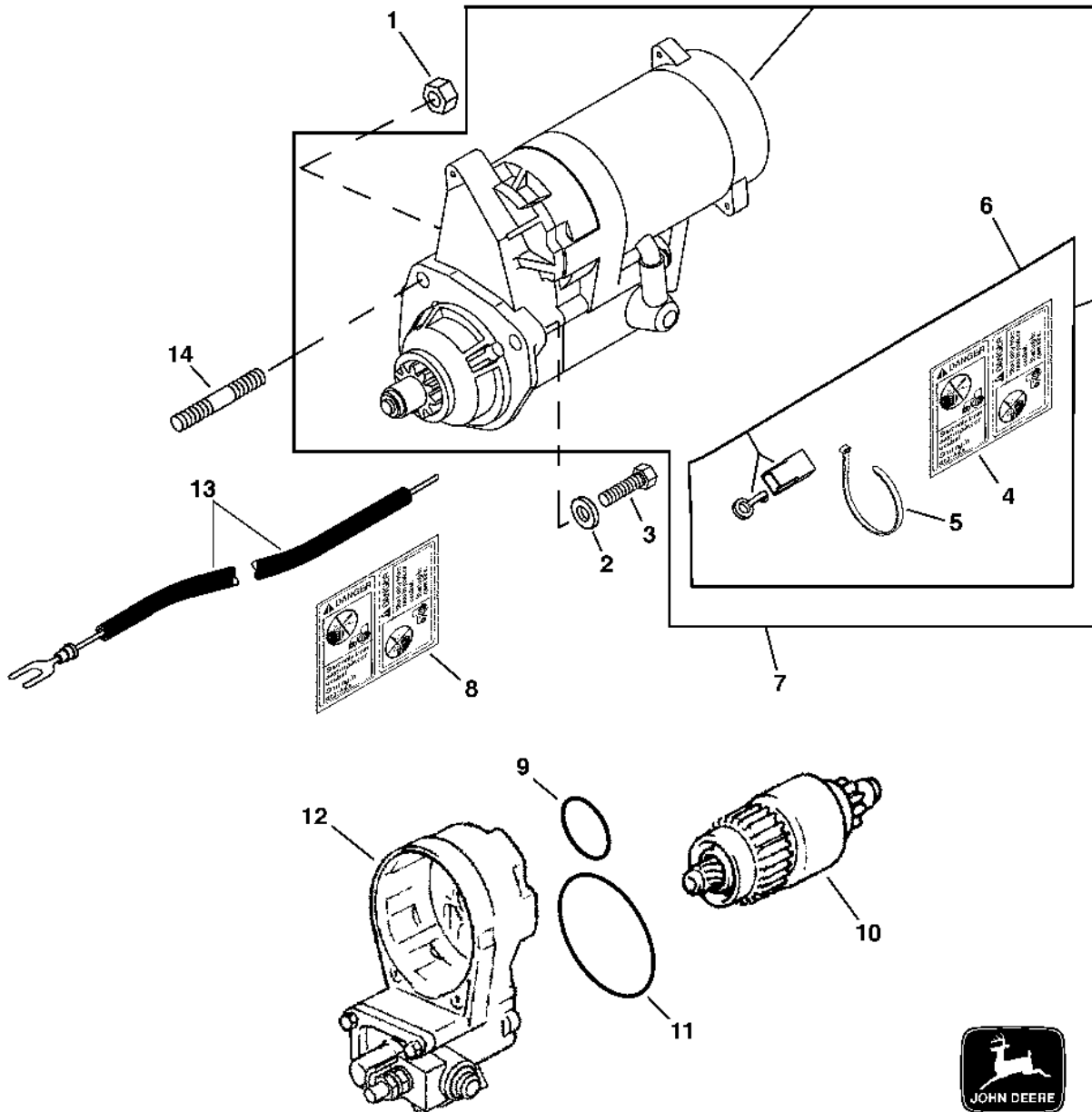
ALTERNATOR SUPPORT AND ADJUSTING STRAP - CONTINUED

KEY	PART NO.	PART NAME	QTY	ENGINE SERIAL NO.	REMARKS
				9 9	
				6 7	
				5 5	
				0 0	
1	R134153	ADJUSTING STRAP	1	X X	
2	19H3773	CAP SCREW	1	X X	3/8" X 2"
3	PLATE	1	X X	FAN SUPPORT
4	R104861	CAP SCREW	5	X X	
5	R500607	STRAP	1	X X	
6	19H3239	CAP SCREW	2	X X	3/8" X 1-1/4"
7	R134010	BUSHING	1	X X	
8	RE70535	TIGHTENER	1	X X	
9	R112268	CAP SCREW	1	X X	
10	R50393	COVER	1	X X	INJECTION PUMP ACCESS
11	R502011	GASKET	1	X X	
12	R135423	BUSHING	1	X X	
13	19M7810	SCREW	1	X X	M10 X 80

1H13

ELECTRICAL

STARTING MOTOR (12-VOLT)
RGP4871 -UN-14MAR97



RGP4871

1H14

ELECTRICAL

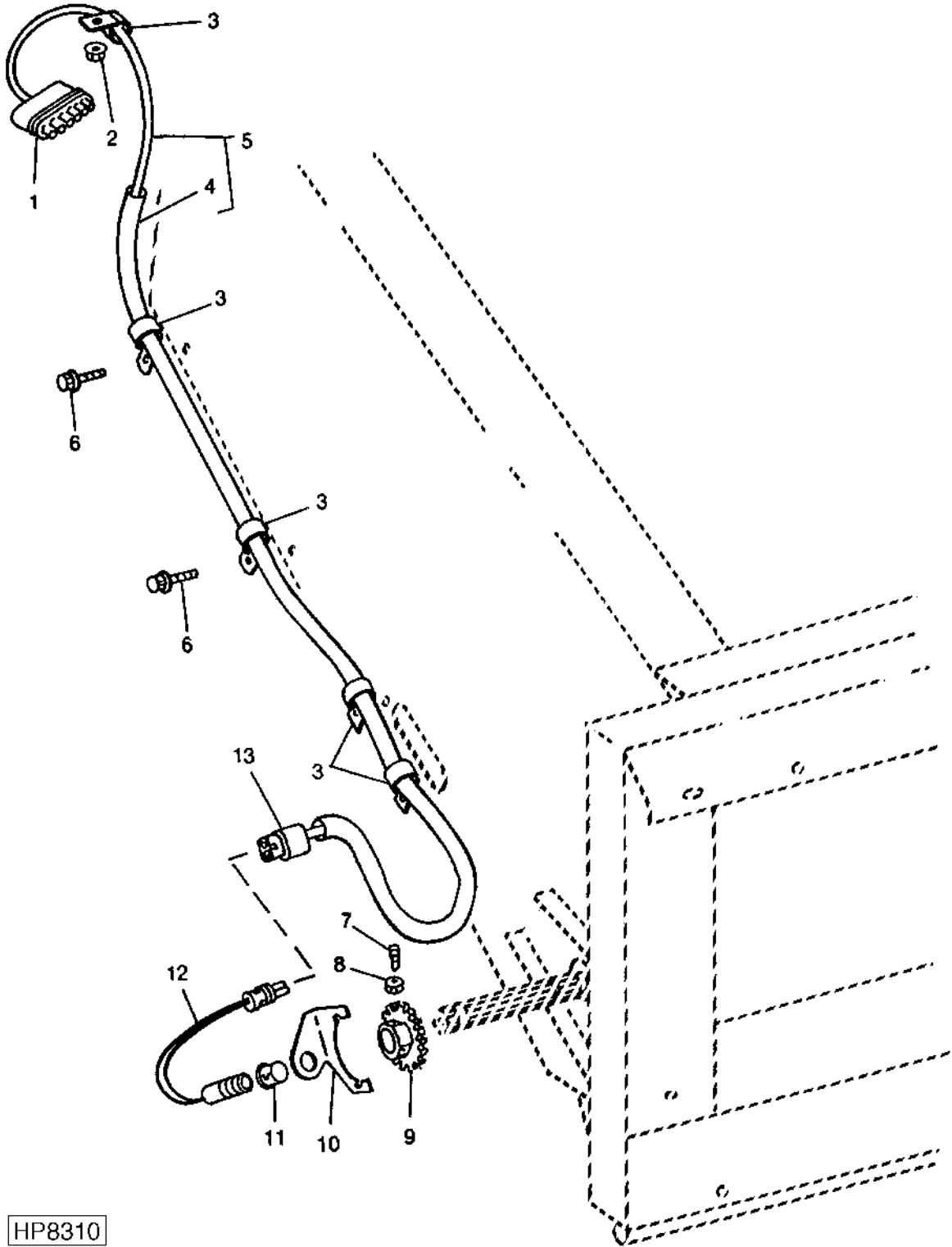
STARTING MOTOR (12-VOLT) - CONTINUED

KEY	PART NO.	PART NAME	QTY	ENGINE SERIAL NO.	REMARKS
				9 9	
				6 7	
				5 5	
				0 0	
1	E55662	FLANGE NUT	1	X X	
2	24M7096	WASHER	2	X X	10.500 X 18 X 1.600 MM
3	19H3219	CAP SCREW	2	X X	3/8" X 1-3/8"
4	T146102	LABEL	1	X X	(ENGLISH)
5	R96703	TIE BAND	1	X X	
6	RE70756	KIT	1	X X	
7	RE70957	STARTER MOTOR KIT	1	X X	(MARKED RE69704) (D228000-6530)
	TY24439	STARTER MOTOR	1	X X	REMANUFACTURED
8	T146106	SAFETY SIGN	1	X X	(SPANISH)
	T146104	SAFETY SIGN	1	X X	(FRENCH)
	T146515	SAFETY SIGN	1	X X	(GERMAN)
	T146516	SAFETY SIGN	1	X X	(ITALIAN)
	T146517	SAFETY SIGN	1	X X	(ENGLISH-FRENCH)
9	R135510	O-RING	1	X X	
10	RE70487	CLUTCH	1	X X	
11	R135509	SEAL	1	X X	
12	RE70486	SWITCH	1	X X	
13	AH155483	WIRING LEAD	1	X X	
14	R114130	STUD	1	X X	

1H15

ELECTRICAL

FEEDER HOUSE BACKSHAFT SPEED SENSOR HP8310 -UN-08MAR99



HP8310

1H16

ELECTRICAL

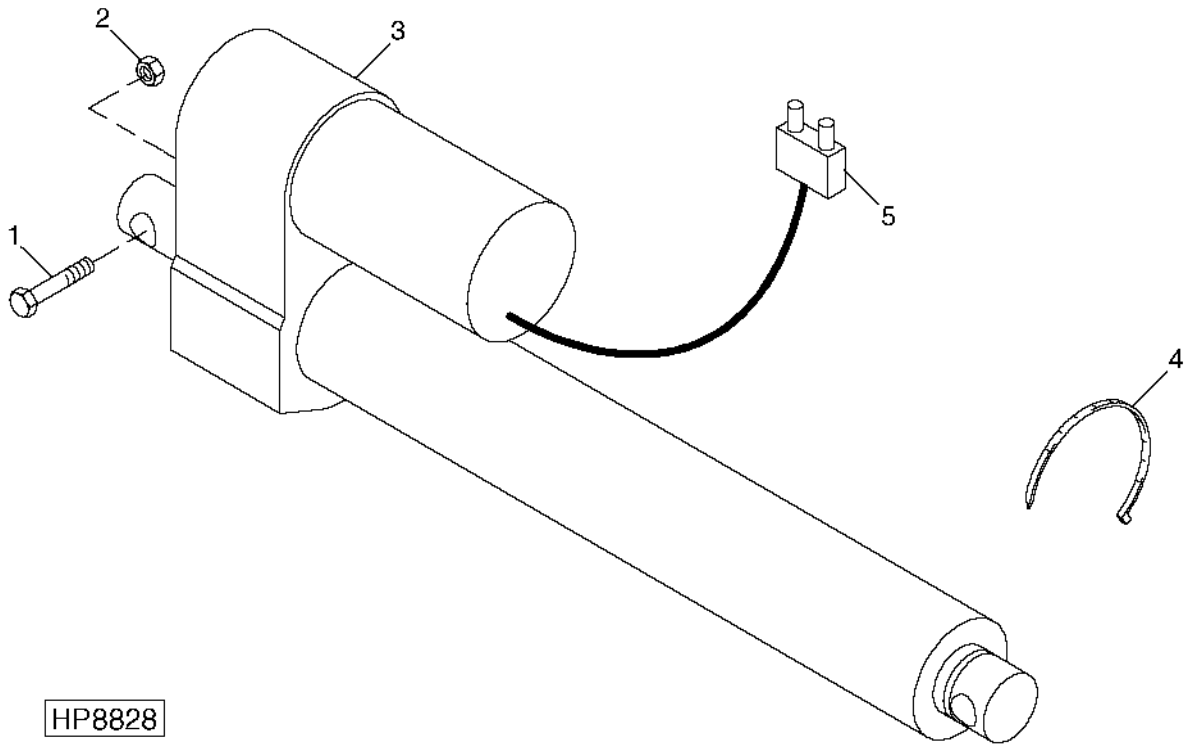
FEEDER HOUSE BACKSHAFT SPEED SENSOR - CONTINUED

KEY	PART NO.	PART NAME	QTY	SERIAL NO.	REMARKS
				9 9	
				6 7	
				5 5	
				0 0	
1	RE12366	CONNECTOR	1	X X	(PKG OF 2)
	R78051	SEAL	1	X X	(PKG OF 5)
	R78060	SOCKET CONTACT	1	X X	(PKG OF 40)
2	14M7299	FLANGE NUT	1	X X	M12
3	AH77279	CLIP	5	X X	
4	H132800	HOSE	1	X X	
5	AH158452	WIRING HARNESS	1	X X	WITHOUT LATERAL TILT
	AH163819	WIRING HARNESS	1	X X	WITH LATERAL TILT
6	37M7083	SCREW	2	X X	M8 X 12
7	A50743	BOLT	2	X X	M6 X 16
8	14M7272	NUT	2	X X	M6
9	H170634	WHEEL	1	X X	
10	H135773	BRACKET	1	X X	
11	H160880	CLIP	1	X X	
12	AH116104	SENSOR	1	X X	BACKSHAFT SPEED
13	R78053	PIN CONTACT CONNECTOR BODY	1	X X	(PKG OF 3)
	R78063	TERMINAL NIPPLE	1	X X	(PKG OF 40)

1H17

ELECTRICAL

STRAW CHOPPER ACTUATOR
 HP8828 -UN-21JUL99



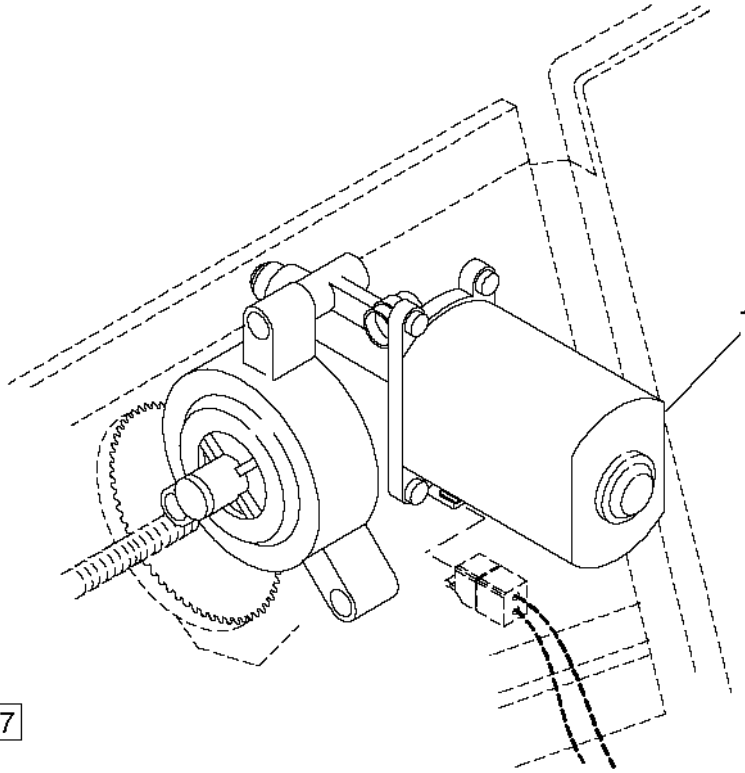
HP8828

KEY	PART NO.	PART NAME	QTY	SERIAL NO.	REMARKS
				9 9	
				6 7	
				5 5	
				0 0	
1	19M7820	SCREW	1	X X	M12 X 100
2	14M7401	LOCK NUT	1	X X	M12
3	AH149880	ACTUATOR	1	X X	
4	H77698	TIE BAND	1	X X	
5	RE12363	CONNECTOR	1	X X	(PKG OF 3)
	R78048	TERMINAL NIPPLE	1	X X	(PKG OF 5)
	R78060	SOCKET CONTACT	1	X X	(PKG OF 40)

1H18

ELECTRICAL

SEPARATOR FAN DRIVE MOTOR
 HP9407 -UN-04JAN00



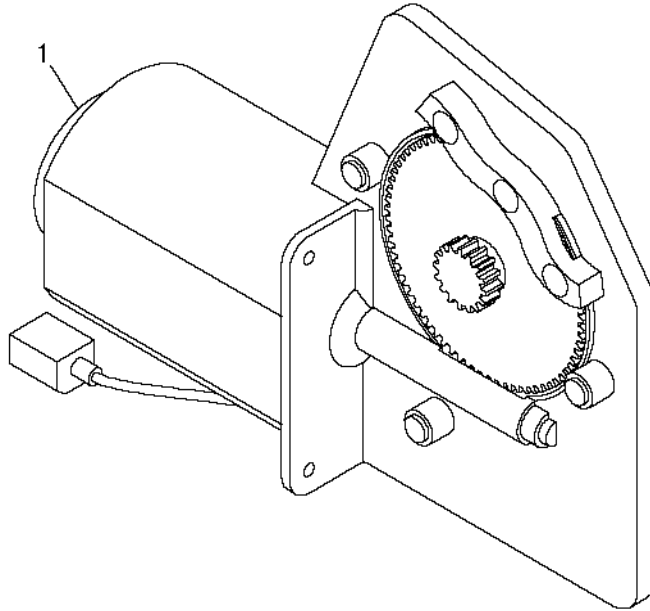
9 9
 6 7
 5 5
 0 0

KEY	PART NO.	PART NAME	QTY	SERIAL NO.	REMARKS
1	AH143903	ELECTRIC MOTOR	1	X X	(USE WITH AH143904, 19M8321 AND 14M7165)

1H19

ELECTRICAL

CONCAVE ADJUSTING MOTOR
 HP9847 -UN-07JUN00



HP9847

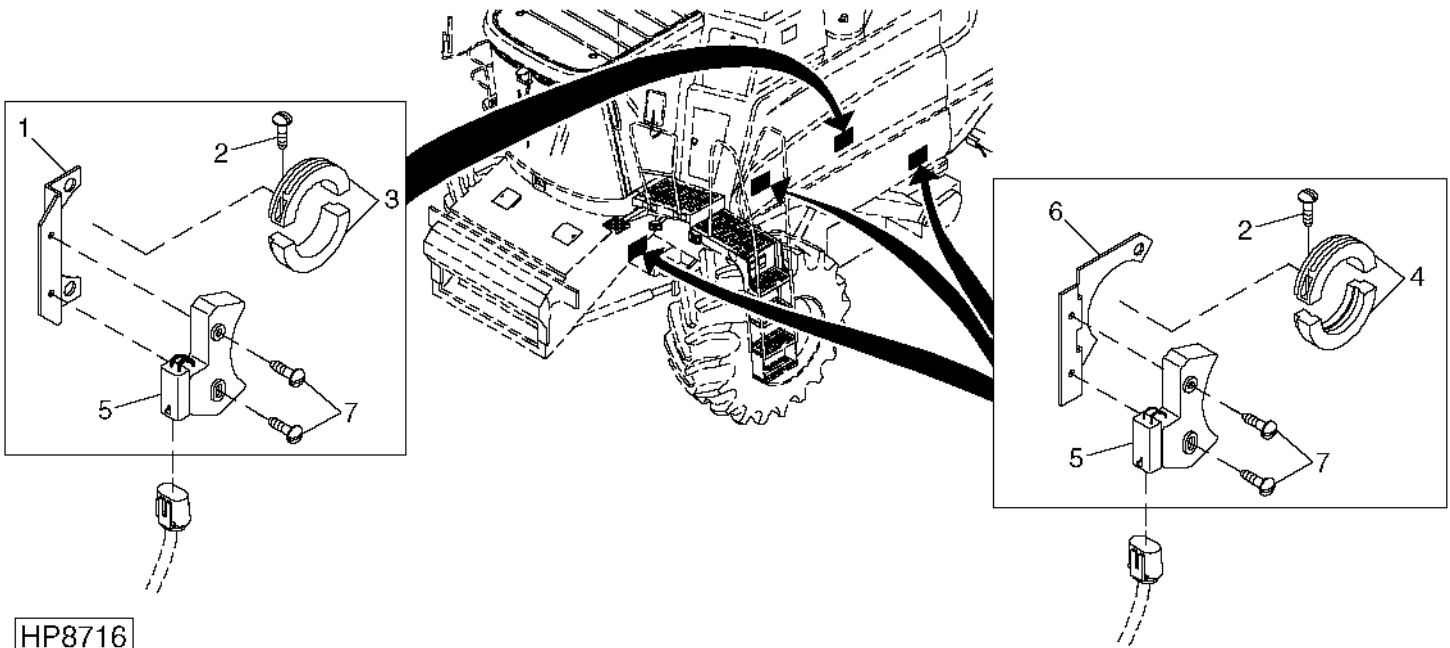
KEY	PART NO.	PART NAME	QTY	SERIAL NO.	REMARKS
1	AH156688	ELECTRIC MOTOR	1	9 9 6 7 5 5 0 0	X X

1H20

ELECTRICAL

LOW SHAFT SPEED SENSORS AND BRACKETS

HP8716 -UN-25JUN99



HP8716

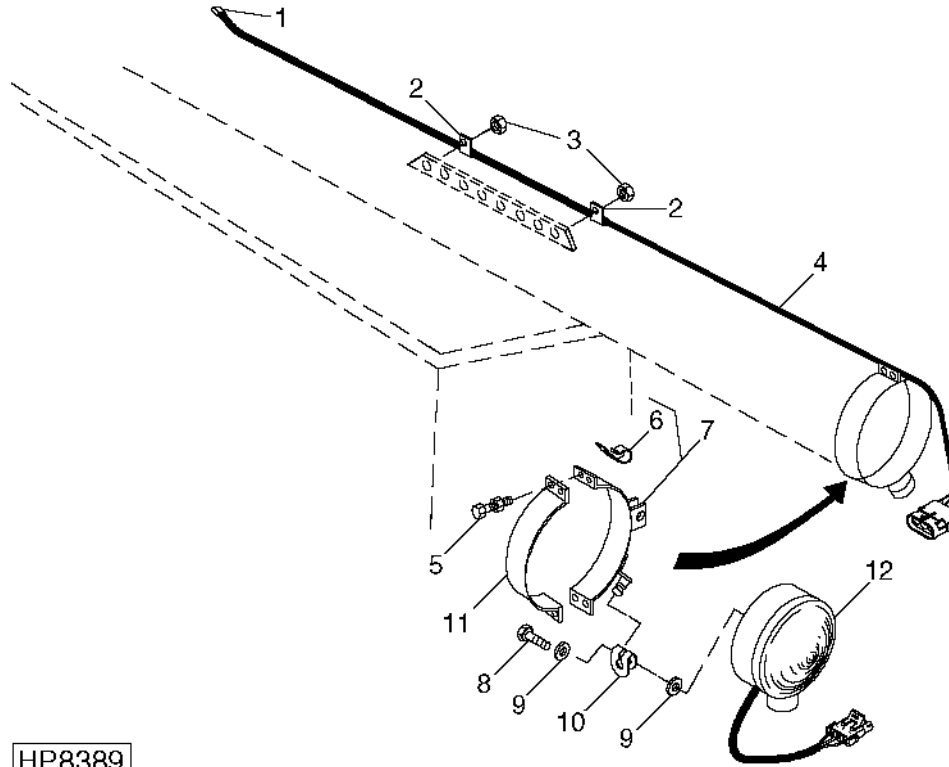
KEY	PART NO.	PART NAME	QTY	SERIAL NO.	REMARKS
				9 9	
				6 7	
				5 5	
				0 0	
1	H148270	BRACKET	2	X X	
2	H168924	SCREW	AR	X X	
3	AH161839	MAGNET	1	X X	LARGE SET
4	AH161838	MAGNET	1	X X	SMALL SET
5	AH131320	SWITCH	5	X X	
6	H148271	BRACKET	3	X X	
7	37M7077	SCREW	10	X X	4.8 X 32 MM

1H21

ELECTRICAL

UNLOADING AUGER LIGHT AND WIRING HARNESS

HP8389 -UN-27JUL99



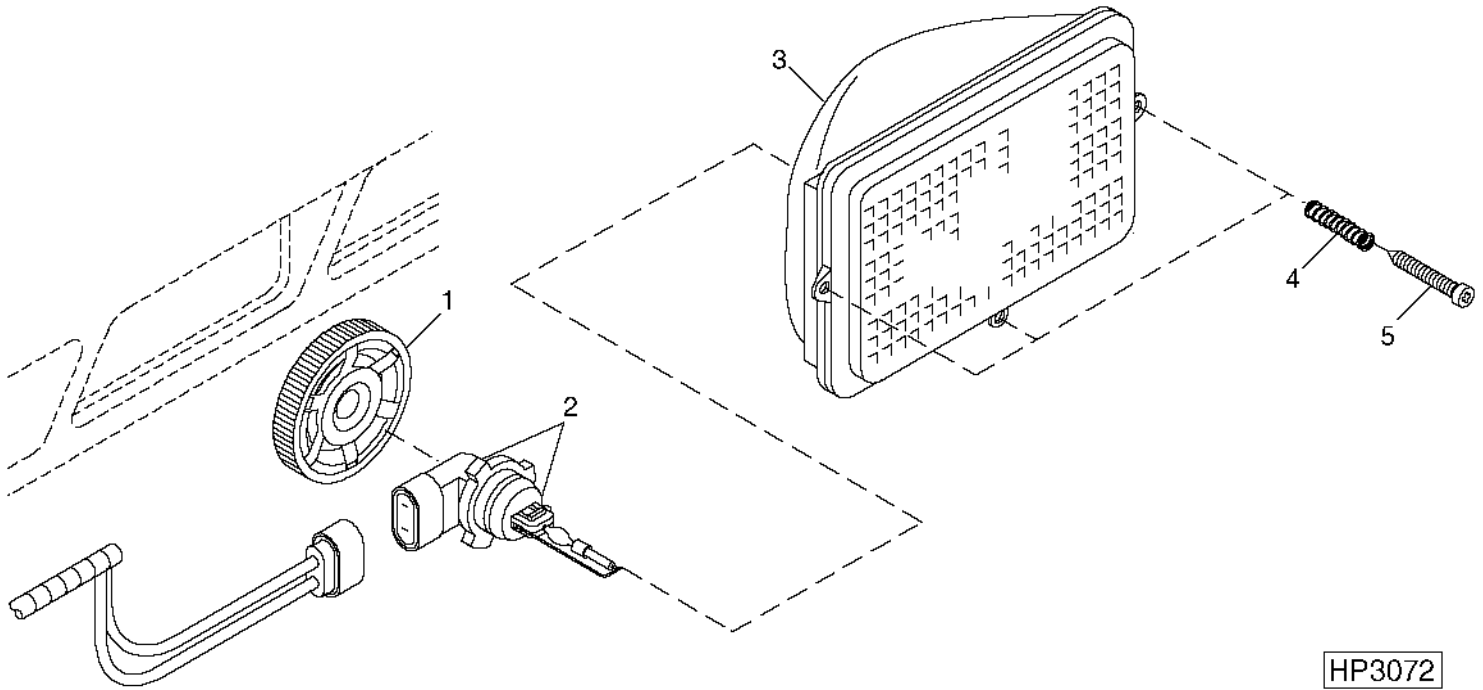
9 9
6 7
5 5
0 0

KEY	PART NO.	PART NAME	QTY	SERIAL NO.	REMARKS
1	RE12363	CONNECTOR	1	X X	(PKG OF 3)
	R78048	TERMINAL NIPPLE	1	X X	(PKG OF 5)
	R78060	SOCKET CONTACT	1	X X	(PKG OF 40)
2	AH89557	CLIP	2	X X	
3	14M7298	FLANGE NUT	2	X X	M8
4	AH160058	WIRING HARNESS	1	X X	FOR ALL AUGER LENGTHS
5	19M7800	SCREW	4	X X	M8 X 50
	14M7396	LOCK NUT	4	X X	M8
6	AH89557	CLIP	1	X X	
7	AH126541	CLAMP	1	X X	
8	19H1831	CAP SCREW	1	X X	1/2" X 2"
9	24H1111	WASHER	2	X X	
10	R67377	CLAMP	1	X X	
11	H133178	CLAMP	1	X X	
12	AH148210	HEADLIGHT	1	X X	

1H22

ELECTRICAL

CAB ROOF LIGHTS
HP3072 -UN-24AUG99



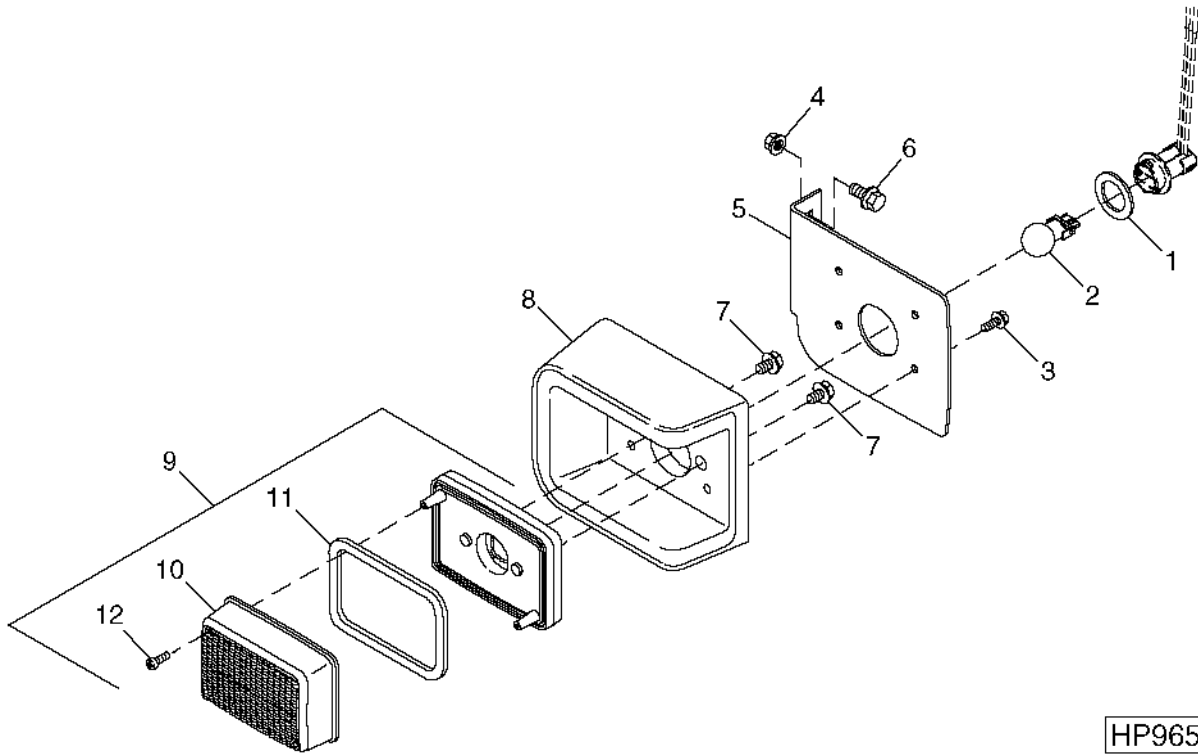
HP3072

KEY	PART NO.	PART NAME	QTY	SERIAL NO.	REMARKS
				9 9	
				6 7	
				5 5	
				0 0	
1	H132900	RETAINER	1	X X	
2	AH162232	BULB	1	X X	
3	AH159333	LENS	1	X X	CENTER
	AH159332	LENS	1	X X	OUTSIDE
4	H130299	SPRING	3	X X	
5	H130298	SCREW	3	X X	

1H23

ELECTRICAL

LIGHT (L.H. FRONT)
HP9653 -UN-29MAR00



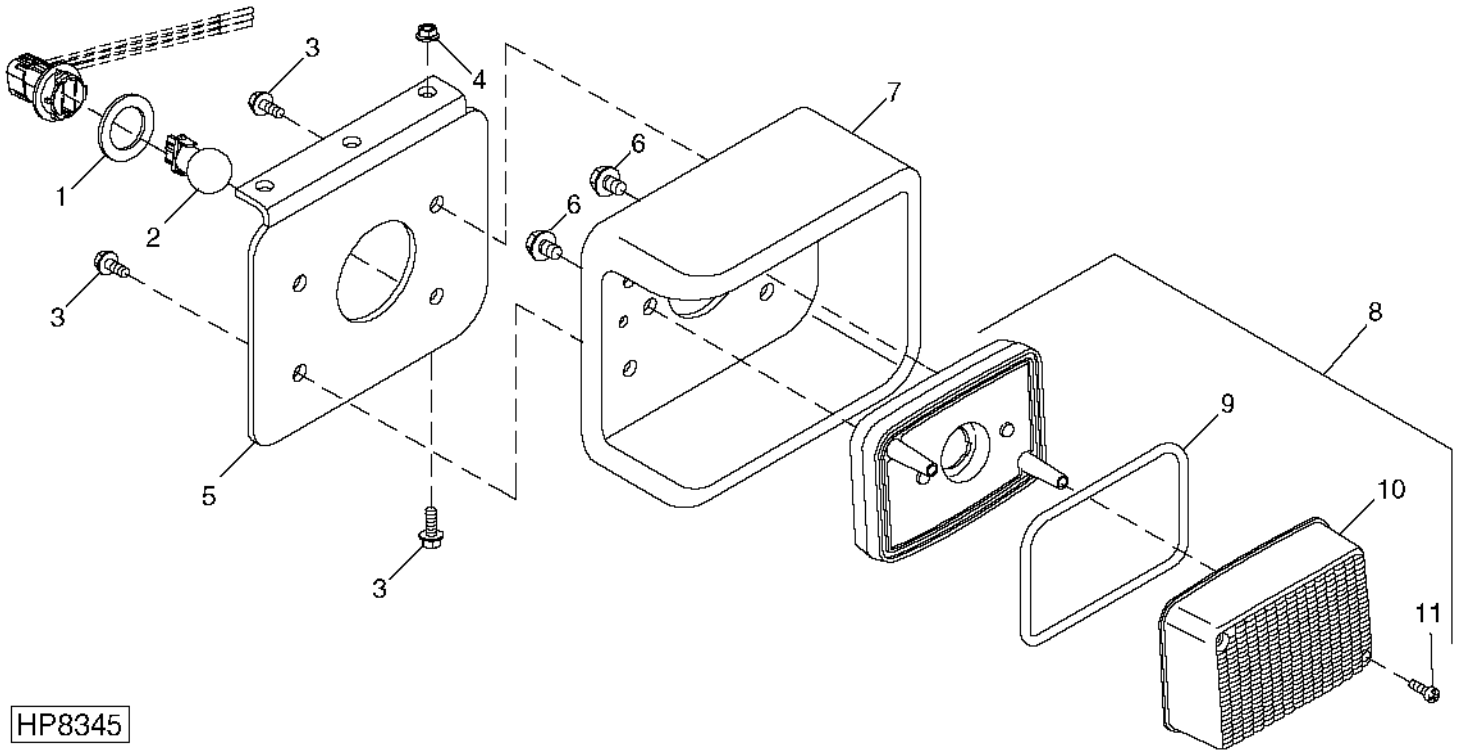
HP9653

KEY	PART NO.	PART NAME	QTY	SERIAL NO.	REMARKS
				9 9	
				6 7	
				5 5	
				0 0	
1	H141955	SEAL	1	X X	
2	H133384	BULB	1	X X	
3	19M7775	SCREW	4	X X	M6 X 16
4	14M7296	FLANGE NUT	2	X X	
5	H161128	BRACKET	1	X X	
6	19M7784	SCREW	2	X X	
7	19M7864	SCREW	2	X X	M8 X 12
8	AH154504	HOUSING	1	X X	
9	AA45032	TURN SIGNAL LAMP	1	X X	
10	A63124	LENS	1	X X	AMBER
11	A63127	GASKET	1	X X	
12	A63635	SCREW	2	X X	
..	AH168190	WIRING HARNESS	1	X X	(SUB FOR AH154914) TURN SIGNAL/WARNING LIGHT, L.H.

1H24

ELECTRICAL

LIGHT (R.H. FRONT)
HP8345 -UN-04JUN99



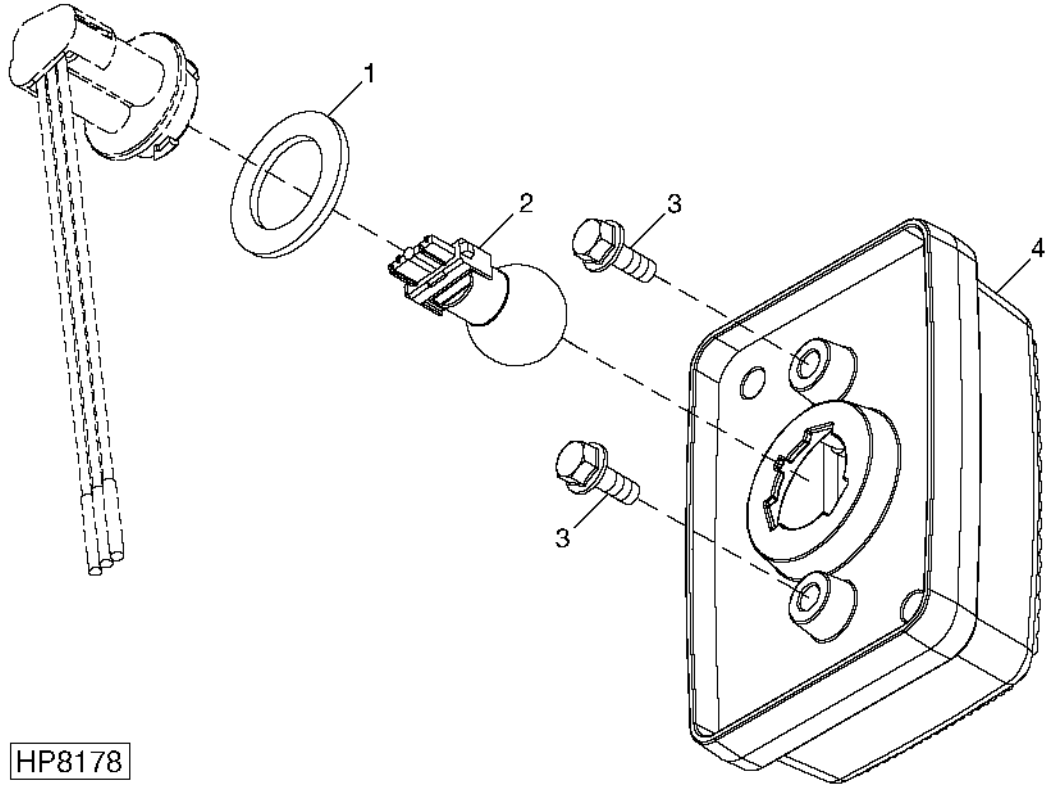
HP8345

KEY	PART NO.	PART NAME	QTY	SERIAL NO.	REMARKS
				9 9	
				6 7	
				5 5	
				0 0	
1	H141955	SEAL	1	X X	
2	H133384	BULB	1	X X	
3	19M7775	SCREW	7	X X	M6 X 16
4	14M7303	FLANGE NUT	3	X X	M6
5	H161130	BRACKET	1	X X	
6	19M7864	SCREW	2	X X	
7	AH154504	HOUSING	1	X X	
8	AA45032	TURN SIGNAL LAMP	1	X X	
9	A63127	GASKET	1	X X	
10	A63124	LENS	1	X X	AMBER
11	A63635	SCREW	2	X X	

1H25

ELECTRICAL

REAR LIGHT - AMBER
HP8178 -UN-20JAN99

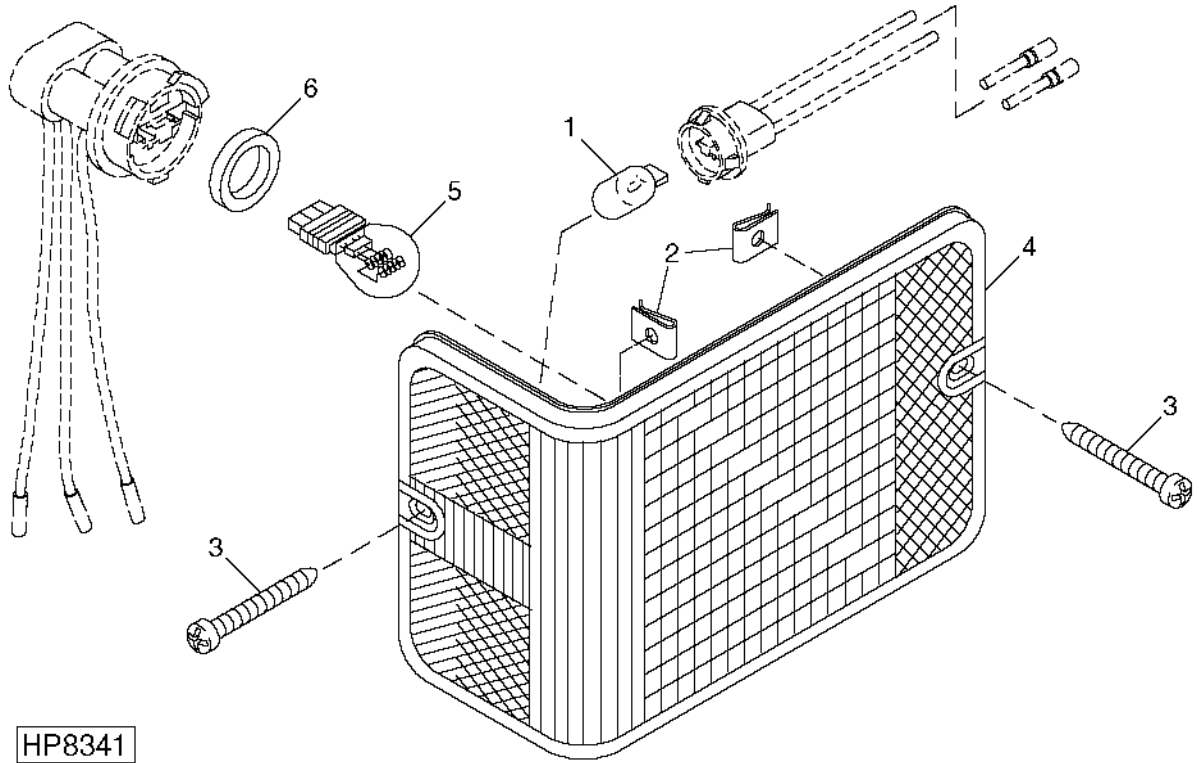


HP8178

9 9
6 7
5 5
0 0

KEY	PART NO.	PART NAME	QTY	SERIAL NO.	REMARKS
1	H141955	SEAL	1	X X	
2	H133384	BULB	1	X X	
3	19M7775	SCREW	2	X X	M6 X 16
4	AA45032	TURN SIGNAL LAMP	1	X X	

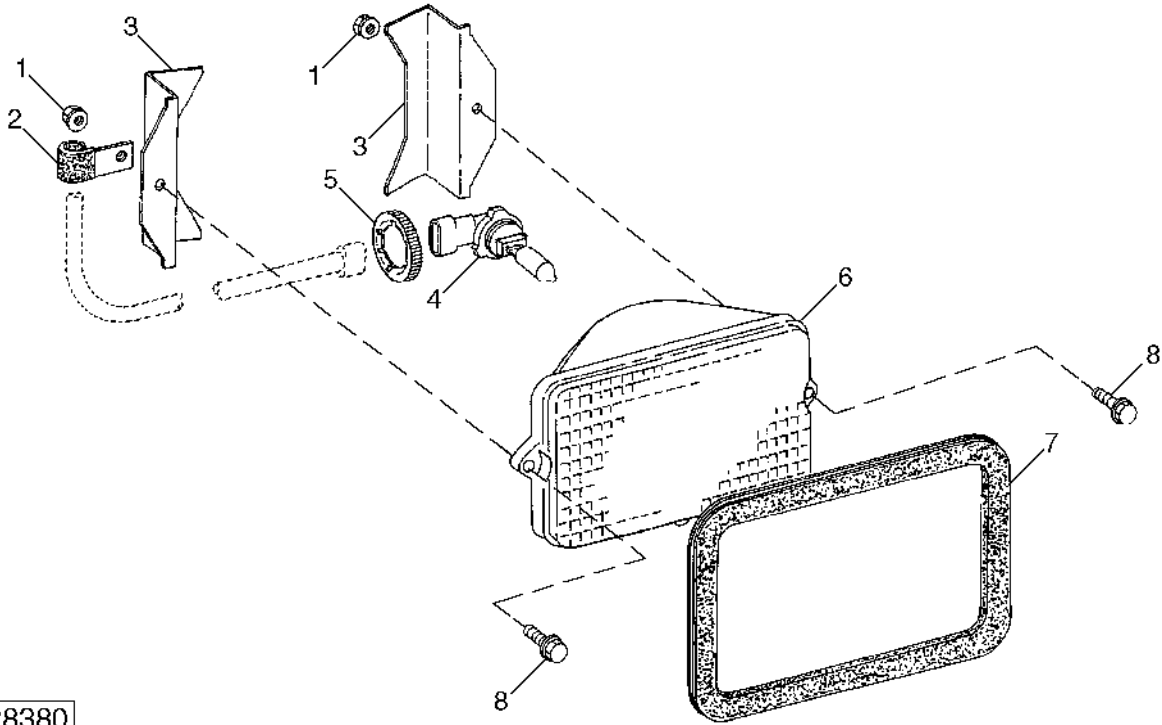
REAR TURN AND TAIL LIGHTS
HP8341 -UN-10MAR99



HP8341

KEY	PART NO.	PART NAME	QTY	SERIAL NO.	REMARKS
				9 9	
				6 7	
				5 5	
				0 0	
1	AR62407	BULB	1	X X	
2	H140628	NUT	2	X X	
3	H140627	SCREW	2	X X	
4	AH123016	LAMP	1	X X	RED
5	H133384	BULB	2	X X	
6	H141955	SEAL	1	X X	

SIDE FINDER LIGHTS
HP8380 -UN-27JUL99

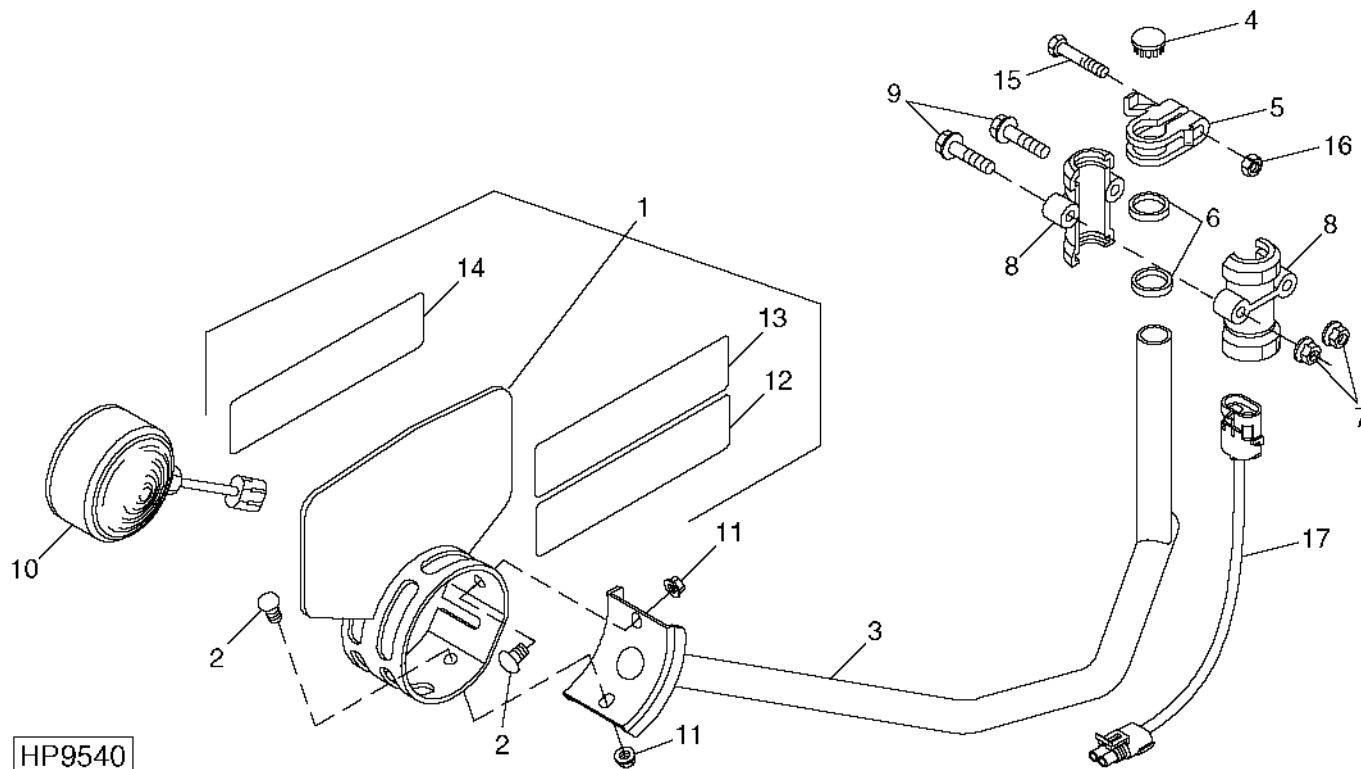


HP8380

KEY	PART NO.	PART NAME	QTY	SERIAL NO.	REMARKS
				9 9	
				6 7	
				5 5	
				0 0	
1	14M7303	FLANGE NUT	4	X X	M6
2	AH89557	CLIP	2	X X	
3	H132687	RETAINER	4	X X	
4	AH162231	BULB	2	X X	
5	H132900	RETAINER	2	X X	
6	AH128328	FLOODLAMP	4	X X	
7	H165252	GROMMET	2	X X	
	H132686	GROMMET	2	X X	
8	19M7774	SCREW	4	X X	M6 X 12

TRANSPORT WARNING LIGHTS

HP9540 -UN-04FEB00

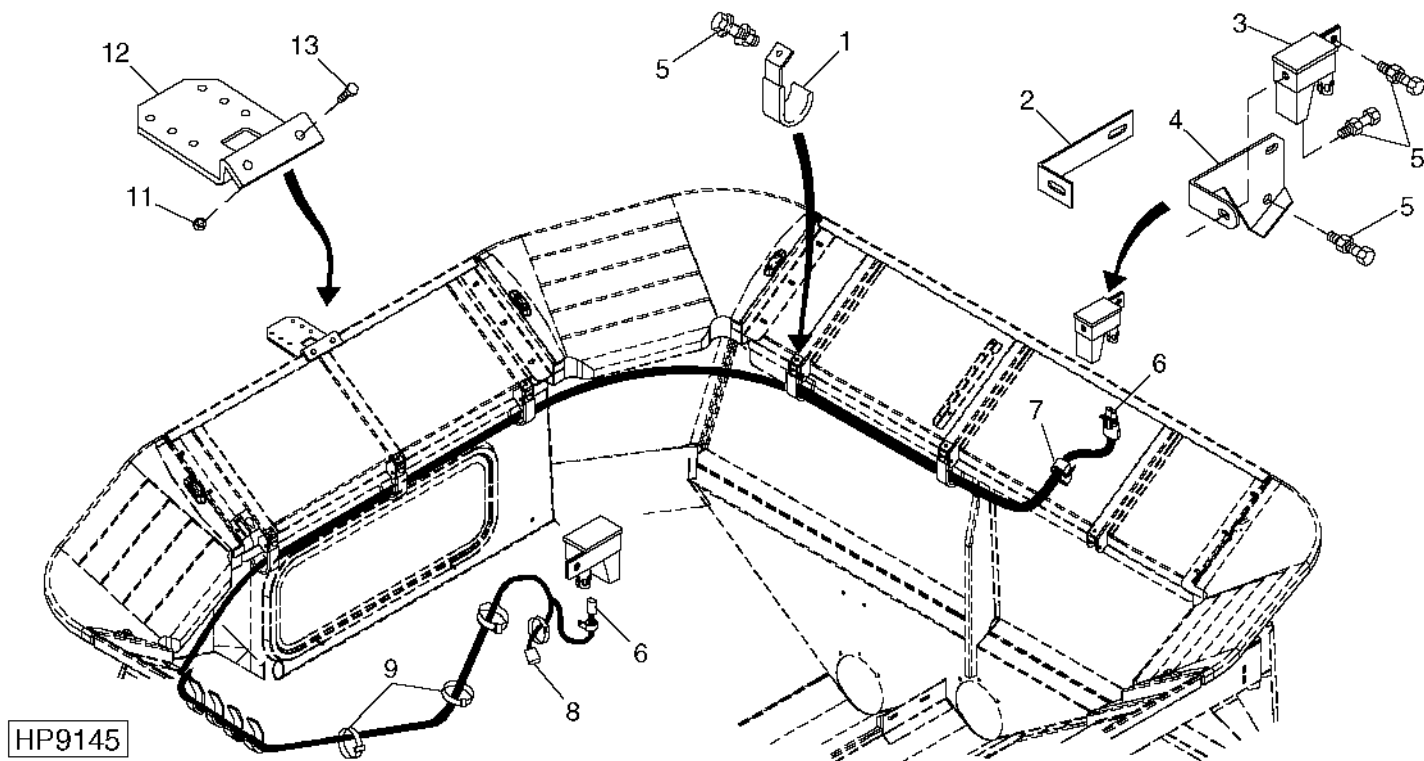


9 9
6 7
5 5
0 0

KEY	PART NO.	PART NAME	QTY	SERIAL NO.	REMARKS
1	AH163048	SHIELD	1	X X	L.H., LONG ARM & EXTRA LONG
	AH163049	SHIELD	1	X X	R.H., LONG ARM & EXTRA LONG
	AH163046	SHIELD	1	X X	L.H. SHORT ARM
	AH163047	SHIELD	1	X X	R.H. SHORT ARM
2	03M7183	BOLT	4	X X	M8 X 16
	11M7298	FLANGE NUT	4	X X	M8
3	AH166000	TUBE	1	X X	R.H., SHORT
	AH160218	TUBE	1	X X	L.H., SHORT
	AH166001	TUBE	1	X X	R.H., LONG
	AH160219	TUBE	1	X X	L.H., LONG
	AH166002	TUBE	1	X X	R.H., EXTRA LONG (1390)
	AH164049	TUBE	1	X X	L.H., EXTRA LONG (1390)
4	H106000	PLUG	2	X X	
5	H172549	CLAMP	1	X X	L.H.
	AT18904	CLAMP	1	X X	R.H.
6	H136110	ISOLATOR	2	X X	
7	14M7296	FLANGE NUT	4	X X	M10
8	H161618	HOUSING	4	X X	
9	19M7809	SCREW	4	X X	M10 X 70
10	AH164497	LAMP	2	X X	
11	14M7298	FLANGE NUT	4	X X	M8
12	JD5922	REFLECTOR	2	X X	ORANGE
13	JD5920	REFLECTOR	2	X X	RED
14	JD5921	REFLECTOR	2	X X	YELLOW
15	19M7801	SCREW	1	X X	
16	14M7298	FLANGE NUT	1	X X	
17	AH166924	WIRING HARNESS	2	X X	EXTENSION
..	BH81587	COMPLETE GOODS/SHIP. BUNDLE	1	X X	(940) SHORT LIGHT ARM CONVERSION
..	BH81586	COMPLETE GOODS/SHIP. BUNDLE	1	X X	(1390) LONG LIGHT ARM CONVERSION
..	BH81588	COMPLETE GOODS/SHIP. BUNDLE	1	X	EXTRA LONG ASAE LIGHT

GRAIN TANK FULL BIN SENSOR WIRING HARNESS

HP9145 -UN-06OCT99

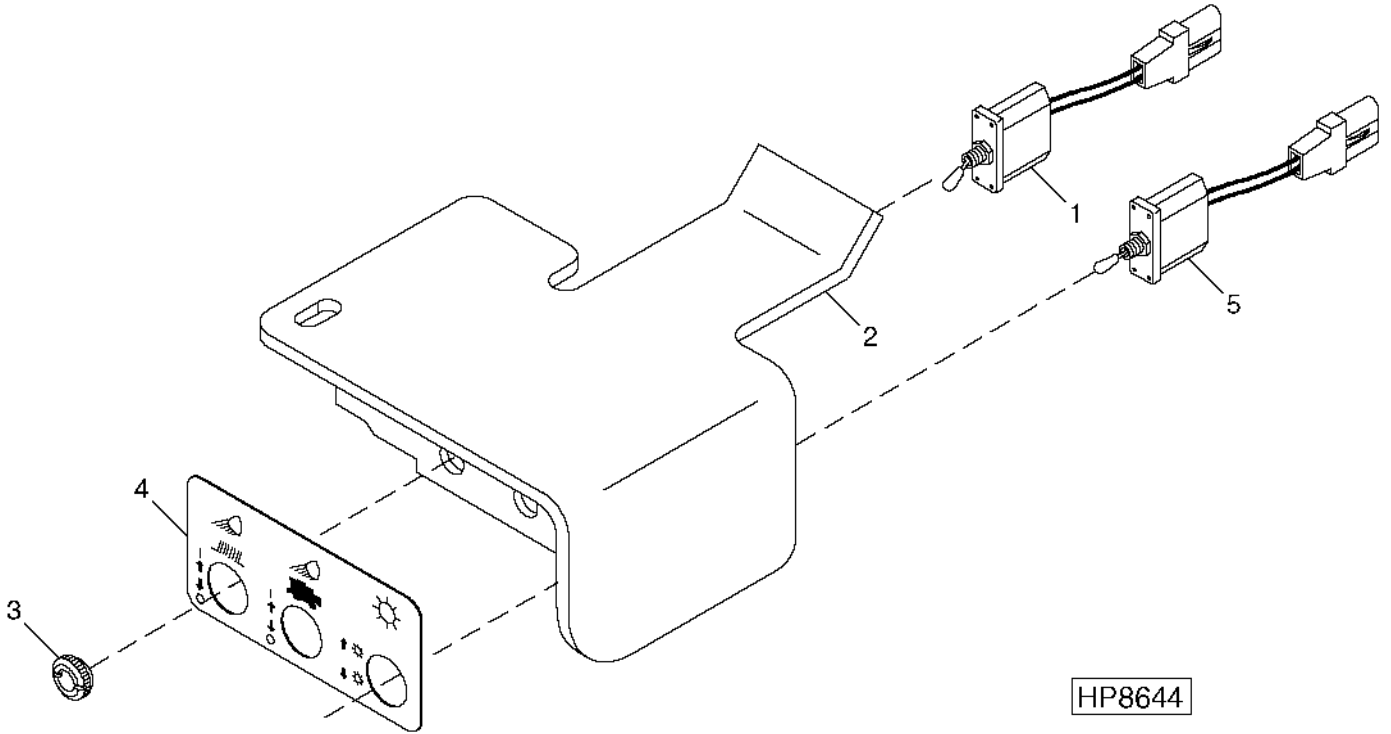


HP9145

9 9
6 7
5 5
0 0

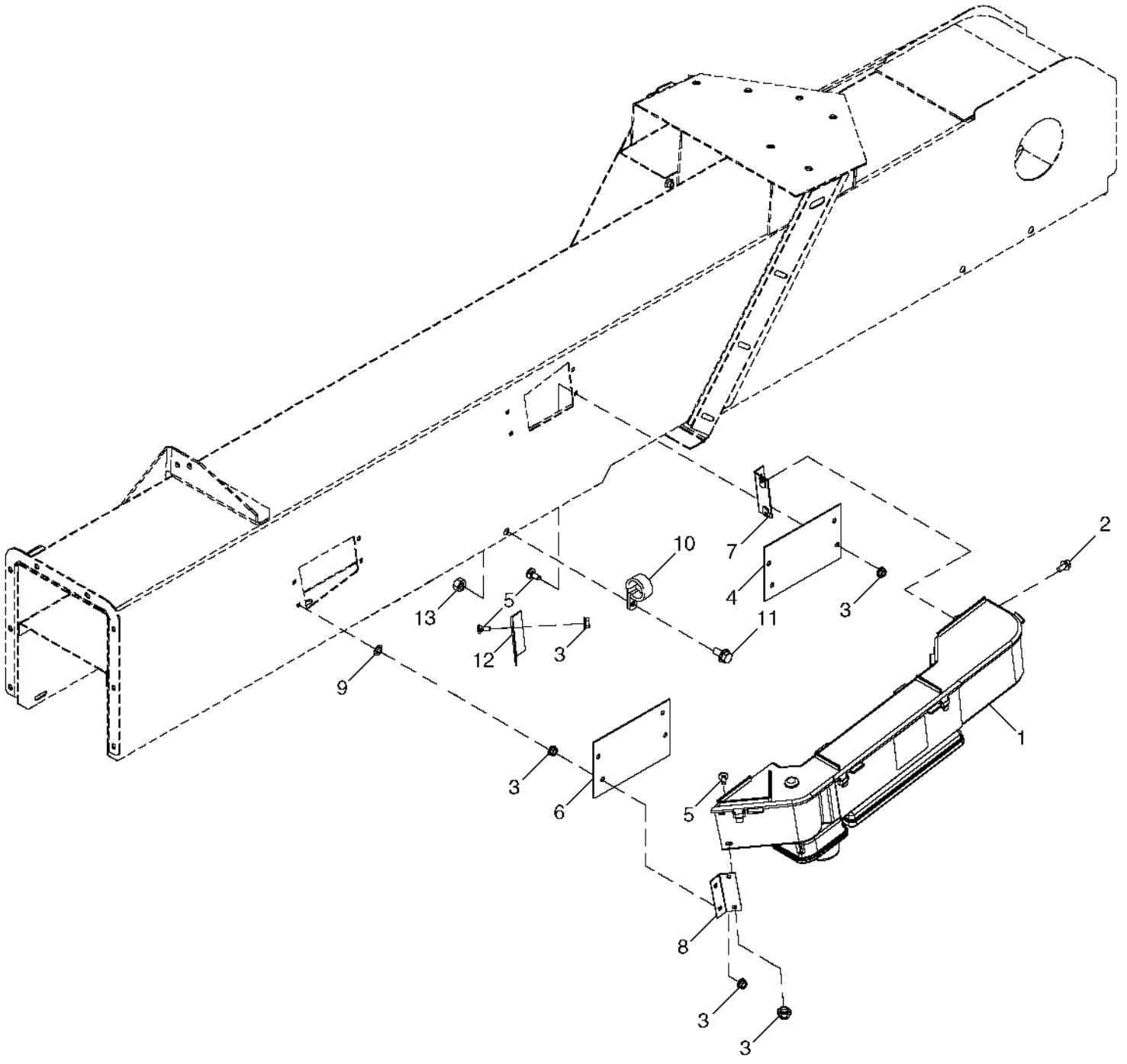
KEY	PART NO.	PART NAME	QTY	SERIAL NO.	REMARKS
1	H130637	CLAMP	5	X X	
2	H133645	REINFORCEMENT	1	X X	
3	AH121475	SENSOR	1	X X	FULL BIN
4	H161088	BRACKET	1	X X	
5	19M7775	SCREW	4	X X	M6 X 16
	14M7303	FLANGE NUT	4	X X	M6
6	RE12363	CONNECTOR	1	X X	(PKG OF 3)
	R78048	TERMINAL NIPPLE	1	X X	(PKG OF 5)
	R78057	SOCKET CONTACT	1	X X	(PKG OF 40)
7	H76064	CLIP	5	X X	
8	R78053	PIN CONTACT CONNECTOR BODY	1	X X	(PKG OF 3)
	R78063	TERMINAL NIPPLE	1	X X	(PKG OF 40)
	R78058	PIN CONTACT	1	X X	(PKG OF 40)
9	R44302	TIE BAND	7	X X	
10	AH128986	WIRING HARNESS	1	X X	FULL BIN SENSOR
11	14M7298	FLANGE NUT	2	X	M8
12	PF10523	BRACKET	1	X	
13	19M7865	SCREW	2	X	M8 X 16
..	BH81598	COMPLETE GOODS/SHIP. BUNDLE	1	X X	GRAIN TANK LEVEL MONITOR

LIGHT SWITCH AND BRACKET
 HP8644 -UN-27JUL99



KEY	PART NO.	PART NAME	QTY	SERIAL NO.	REMARKS
				9 9	
				6 7	
				5 5	
				0 0	
1	AH158310	TOGGLE SWITCH	1	X X	
2	AH159266	BRACKET	1	X X	
3	H140248	NUT	1	X X	
4	H165560	LABEL	1	X X	
5	AH159283	TOGGLE SWITCH	1	X X	CHOPPER POSITION

MOISTURE SENSOR
HP9619 -UN-15MAR00



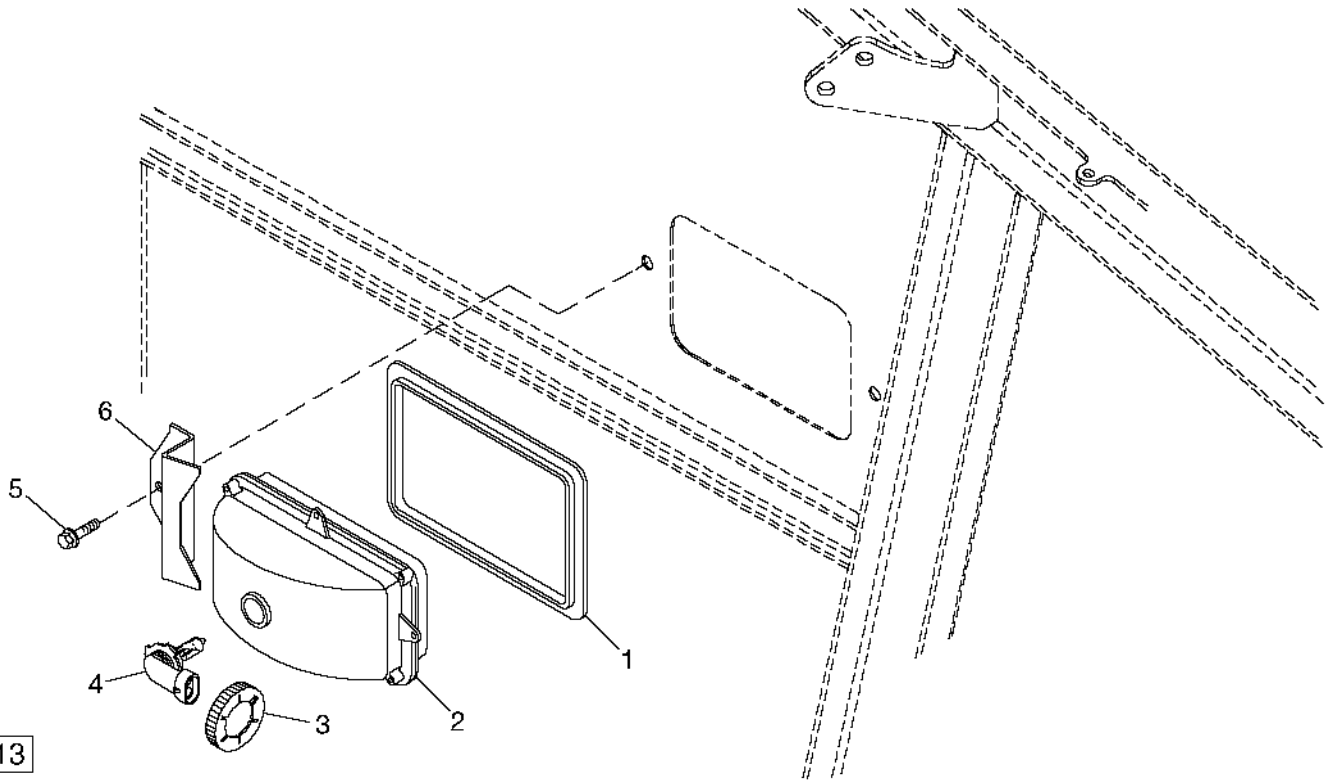
HP9619

MOISTURE SENSOR - CONTINUED

KEY	PART NO.	PART NAME	QTY	SERIAL NO.	REMARKS
				9 9	
				6 7	
				5 5	
				0 0	
1	PF80152	MOISTURE SENSOR MODULE	1	X X	
2	19M7774	SCREW	2	X X	M6 X 12
3	14M7303	FLANGE NUT	10	X X	M6
4	PF80174	COVER	1	X X	
5	03M7221	BOLT	10	X X	M6 X 16
6	PF80173	COVER	1	X X	
7	PF80022	BRACKET	1	X X	
8	PF10106	BRACKET	1	X X	
9	H89476	NUT	1	X X	
10	AH96317	CLIP	1	X X	
11	19M7865	SCREW	1	X X	M8 X 16
12	PF10218	BRACKET	1	X X	
13	14M7298	FLANGE NUT	1	X X	M8
..	AH163684	WIRING HARNESS	1	X X	

CLEANING SHOE INSPECTION LIGHTS

HP9513 -UN-25JAN00



HP9513

9 9
6 7
5 5
0 0

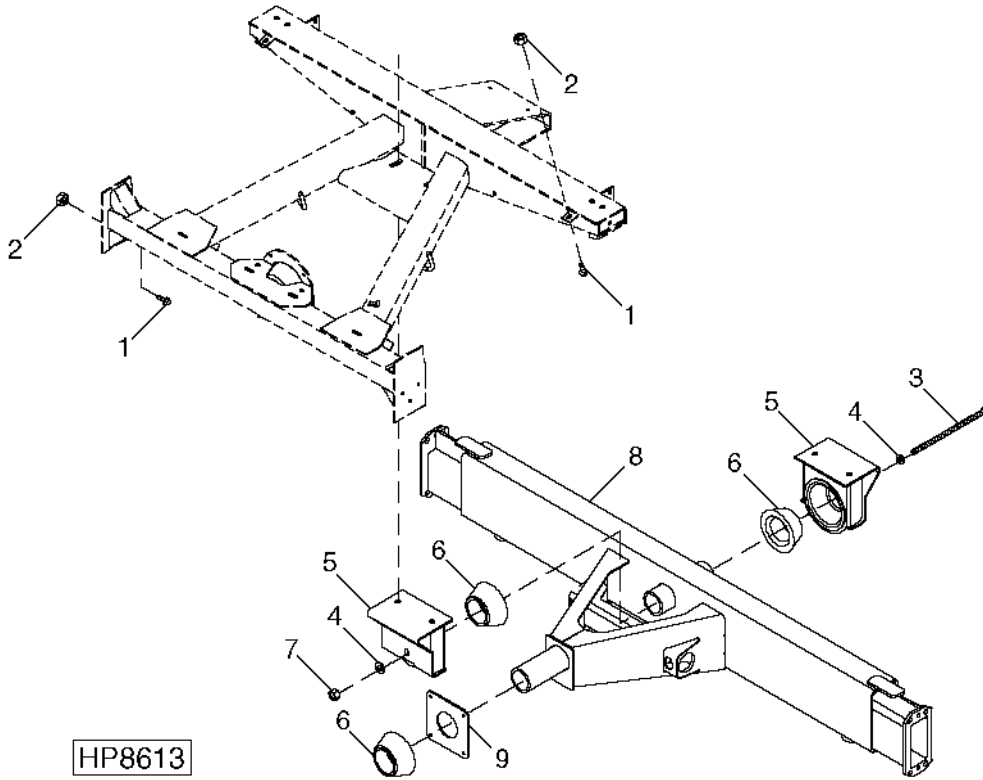
KEY	PART NO.	PART NAME	QTY	SERIAL NO.	REMARKS
1	H165252	GROMMET	1	X X	
2	AH128328	FLOODLAMP	1	X X	
3	H132900	RETAINER	1	X X	
4	AH162231	BULB	1	X X	
5	14M7303	FLANGE NUT	2	X X	M6
6	H132687	RETAINER	2	X X	

NOTE: QUANTITIES SHOWN ARE FOR ONE UNIT. TWO UNITS USED PER MACHINE

2B9

FIXED REAR AXLE (NON-POWERED)

HP8613 -UN-02JUL99



HP8613

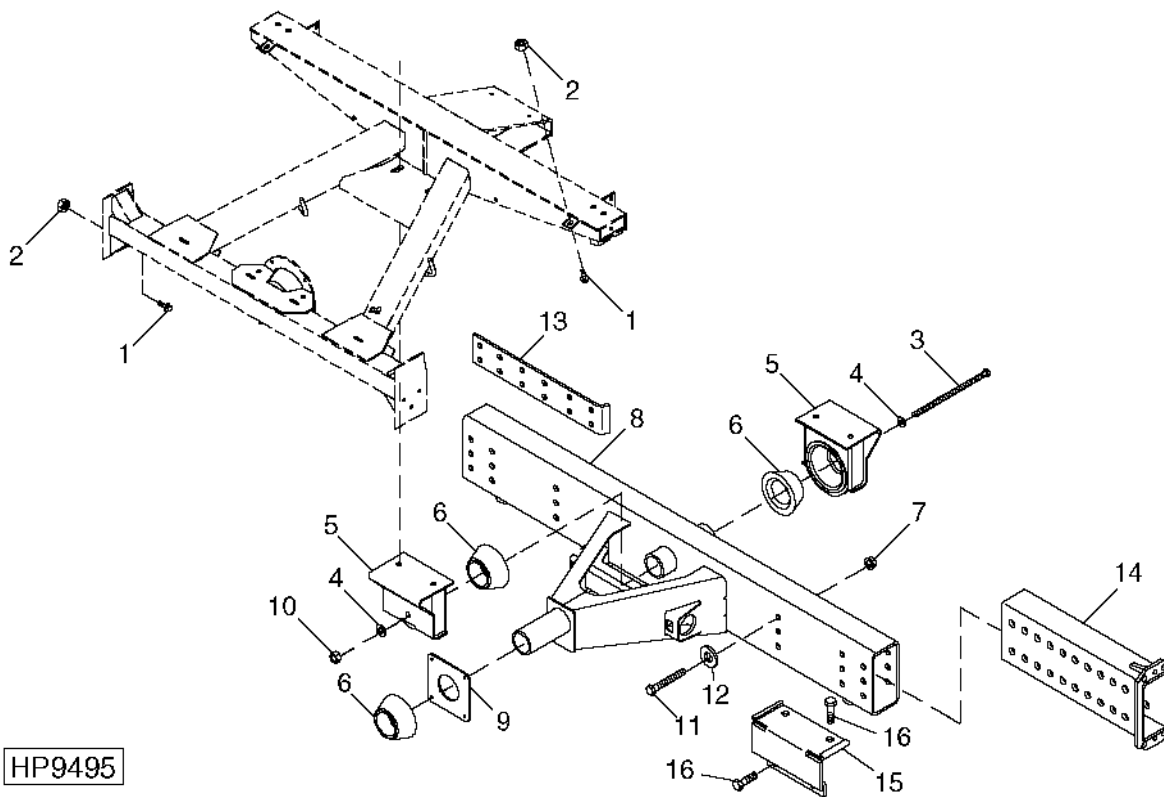
KEY	PART NO.	PART NAME	QTY	SERIAL NO.	REMARKS
				9 9	
				6 7	
				5 5	
				0 0	
1	19M7786	SCREW	4	X X	M10 X 30
2	14M7296	FLANGE NUT	4	X X	M10
3	Z55241	BOLT	1	X X	
4	24M7241	WASHER	2	X X	17 X 34 X 4 MM
5	AH162786	BRACKET	2	X X	
6	Z46513	BUSHING	3	X X	
7	A31869	LOCK NUT	1	X X	
8	AH152344	AXLE	1	X X	
	AH164250	AXLE	1	X X	
9	H169287	PLATE	1	X X	

2B10

POWER TRAIN

ADJUSTABLE REAR AXLE (1200 AND 1600 PRW)

HP9495 -UN-13JAN00



9 9
6 7
5 5
0 0

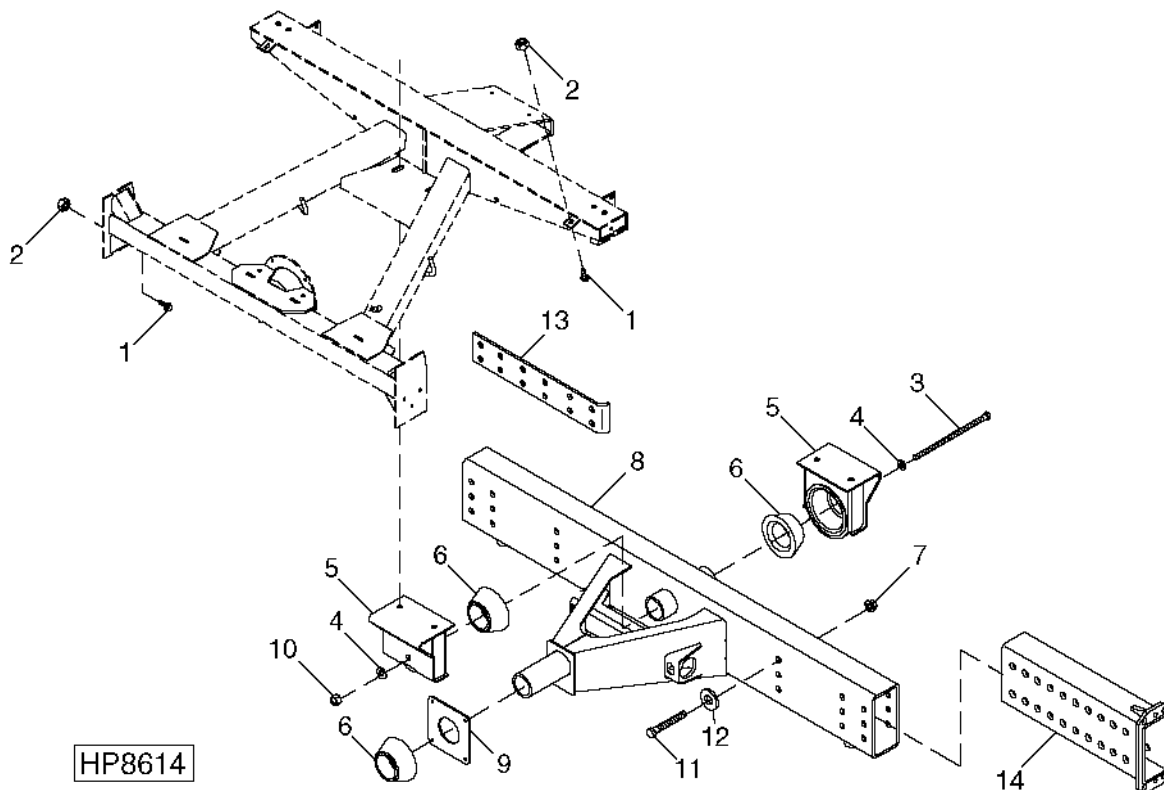
KEY	PART NO.	PART NAME	QTY	SERIAL NO.	REMARKS
1	19M7786	SCREW	4	X X	M10 X 30
2	14M7296	FLANGE NUT	4	X X	M10
3	Z55241	BOLT	1	X X	
4	24M7241	WASHER	2	X X	17 X 34 X 4 MM
5	AH162786	BRACKET	2	X X	
6	Z46513	BUSHING	3	X X	
7	14M7300	FLANGE NUT	12	X X	M20
8	AH144605	AXLE	1	X X	
9	H169287	PLATE	1	X X	
10	A31869	LOCK NUT	1	X X	
11	19M7921	CAP SCREW	12	X X	M20 X 150
12	24M7242	WASHER	12	X X	21.400 X 42 X 5 MM
13	H134549	PLATE	2	X X	
14	AH156773	TUBE	2	X X	
15	H136115	SHIELD	2	X X	(CONVERSION)
16	37M7086	SCREW	8	X X	M10 X 20
..	BH78882	COMPLETE GOODS/SHIP. BUNDLE	1	X X	SHIELDS

2B11

POWER TRAIN

ADJUSTABLE REAR AXLE (NON-POWERED)

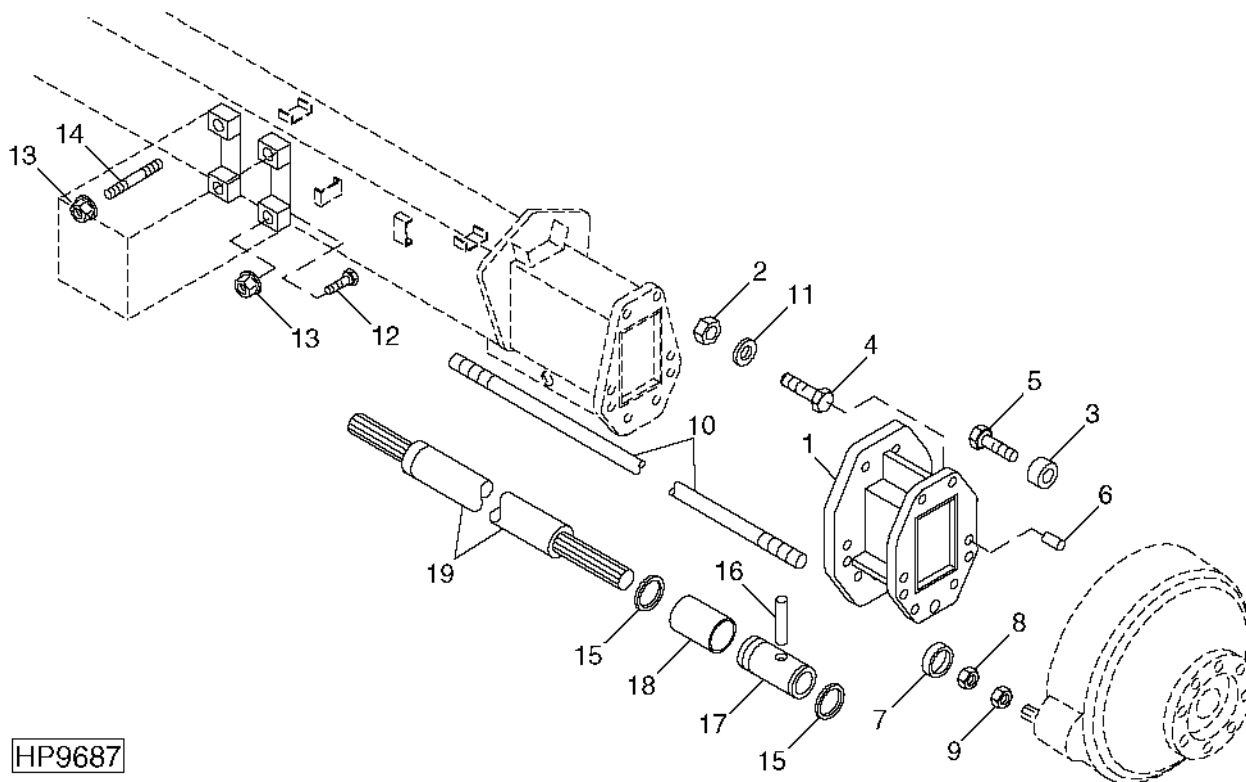
HP8614 -UN-02JUL99



KEY	PART NO.	PART NAME	QTY	SERIAL NO.	9 6 5 0	REMARKS
1	19M7786	SCREW	4		X X	M10 X 30
2	14M7296	FLANGE NUT	4		X X	M10
3	Z55241	BOLT	1		X X	
4	24M7241	WASHER	2		X X	17 X 34 X 4 MM
5	AH162786	BRACKET	2		X X	
6	Z46513	BUSHING	3		X X	
7	14M7300	FLANGE NUT	6		X X	M20
8	AH144605	AXLE	1		X X	
9	H169287	PLATE	1		X X	
10	A31869	LOCK NUT	1		X X	
11	19M7921	CAP SCREW	6		X X	M20 X 150
12	24M7242	WASHER	6		X X	21.400 X 42 X 5 MM
13	H134549	PLATE	1		X X	
14	AH156773	TUBE	2		X X	

2B12

AXLE SPACERS
HP9687 -UN-10APR00

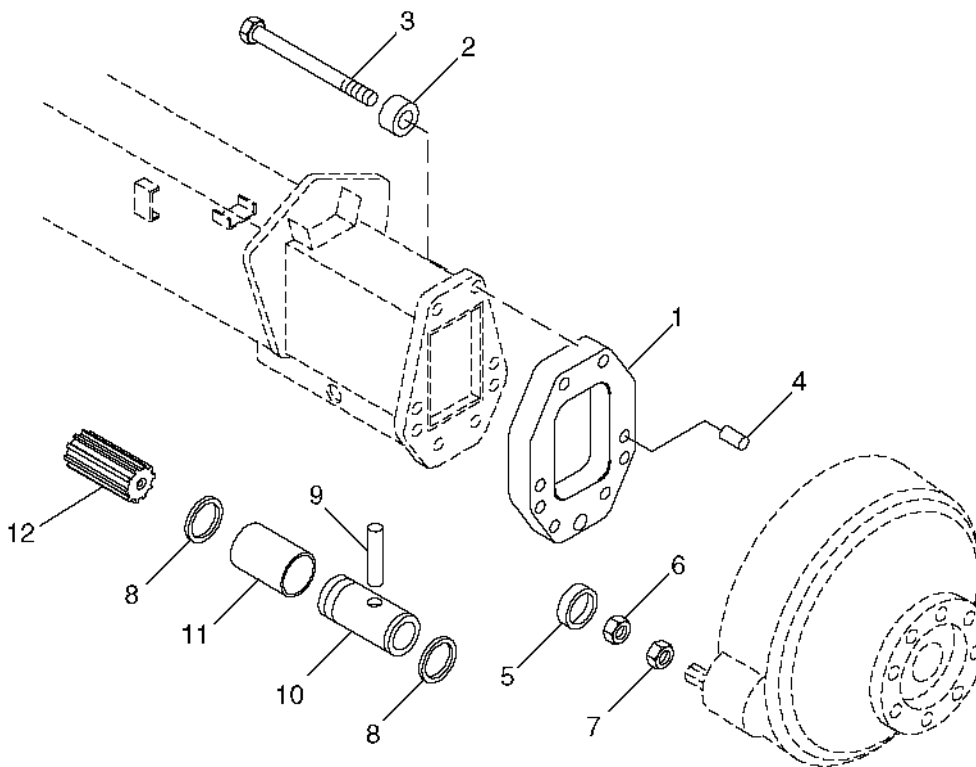


9 9
6 7
5 5
0 0

KEY	PART NO.	PART NAME	QTY	SERIAL NO.	REMARKS
1	H168744	SPACER	2	X X	300 MM
	H168166	SPACER	2	X X	400 MM
	H168745	SPACER	2	X X	454 MM
2	14M7278	NUT	12	X X	M24
3	H163561	SPACER	12	X X	HEAVY DUTY
4	19M8288	CAP SCREW	12	X X	M24 X 90
5	19M8287	CAP SCREW	12	X X	M24 X 80
6	H87691	BUSHING	8	X X	
7	H130287	SPACER	2	X X	
8	H130288	NUT	2	X X	
9	14M7431	NUT	2	X X	M30
10	H133635	STUD	1	X X	
11	24M7243	WASHER	12	X X	25.400 X 50 X 6 MM, HEAVY DUTY
12	H107504	BOLT	2	X X	
13	14M7291	FLANGE NUT	4	X X	M16
14	42M7028	STUD	2	X X	
15	H133229	SNAP RING	4	X X	
16	H131754	PIN	2	X X	
17	H133231	SPLINED COUPLING	2	X X	23 TEETH
	H165510	SPLINED COUPLING	2	X X	18 TEETH
18	H134444	SLEEVE	2	X X	
19	H165662	SHAFT	2	X X	300 MM
	H165663	SHAFT	2	X X	400 MM
	H165664	SHAFT	2	X X	454 MM
	H165665	SHAFT	2	X X	DRIVE, R.H.
	H165666	SHAFT	2	X X	DRIVE, L.H.
..	BH81704	COMPLETE GOODS/SHIP. BUNDLE	2	X X	(400 MM) AXLE SPACER
..	BH81705	COMPLETE GOODS/SHIP. BUNDLE	2	X X	(300 MM) AXLE SPACER
..	BH81706	COMPLETE GOODS/SHIP. BUNDLE	2	X X	(454 MM) AXLE SPACER

2B13

AXLE SPACERS, 105MM (SOLID)
 HP9777 -UN-25MAY00



HP9777

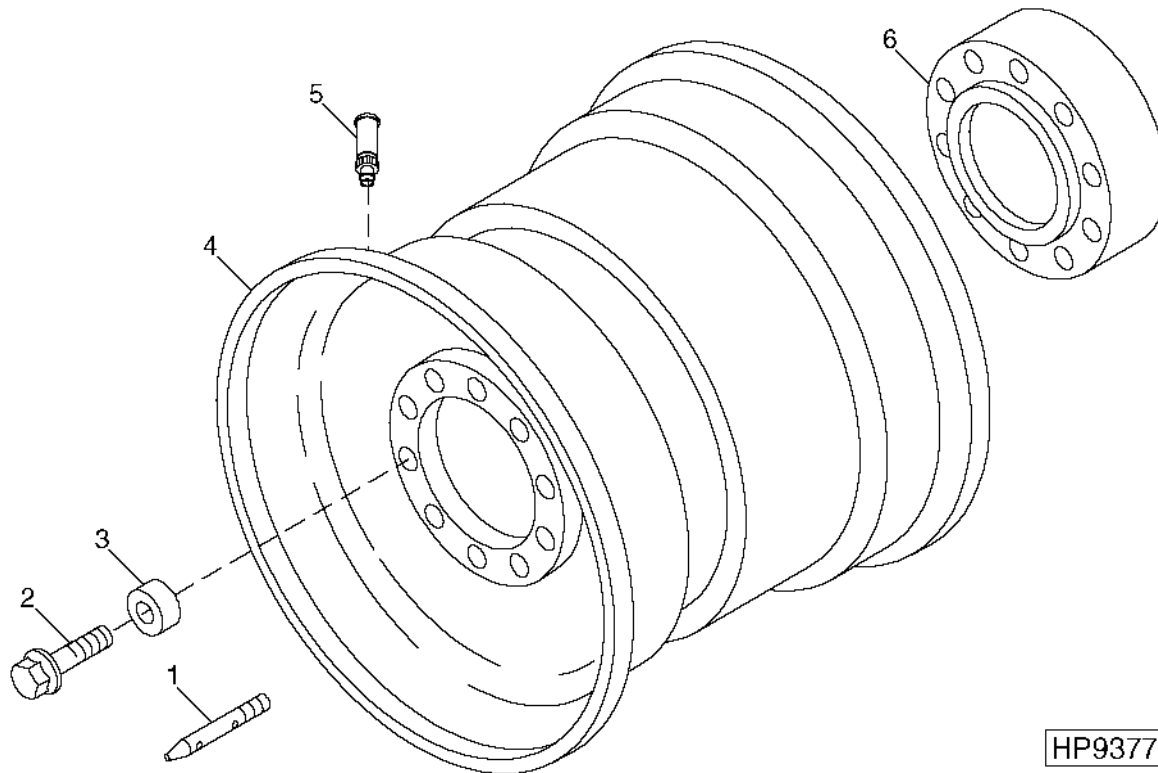
9 9
 6 7
 5 5
 0 0

KEY	PART NO.	PART NAME	QTY	SERIAL NO.	REMARKS
1	AH170484	SPACER	2	X X	
2	24M7243	WASHER	12	X X	25.400 X 50 X 6 MM
3	19M7782	CAP SCREW	12	X X	M24 X 180
4	H87691	BUSHING	8	X X	
5	H130287	SPACER	2	X X	
6	H130288	NUT	2	X X	
7	14M7431	NUT	2	X X	M30
8	H133229	SNAP RING	4	X X	
9	H131754	PIN	2	X X	
10	H165510	SPLINED COUPLING	2	X X	18 TEETH
11	H134444	SLEEVE	2	X X	
12	H176465	SHAFT	2	X X	
..	BH81867	COMPLETE GOODS/SHIP. BUNDLE	2	X X	(105MM) AXLE SPACER
..	BH81869	COMPLETE GOODS/SHIP. BUNDLE	2	X X	(105MM) AXLE SPACER BOLTS
..	BH81875	COMPLETE GOODS/SHIP. BUNDLE	2	X X	(105MM) SPACER

2B14

DRIVE WHEELS

HP9377 -UN-01DEC99



9 9
6 7
5 5
0 0

KEY	PART NO.	PART NAME	QTY	SERIAL NO.	REMARKS
1	H138607	STUD	1	X X	USE FOR WHEEL MOUNTING ONLY
2	H170072	SCREW	10	X X	
	H138606	CAP SCREW	10	X X	USE WITH H162719 ONLY
3	H134114	SPACER	10	X X	
4	AH130625	WHEEL	1	X X	(32-DH27)
	AH154848	WHEEL	1	X X	(32XDW27" 335 BC)
	AH127656	WHEEL	1	X X	(32-DH31)
5	AT25226	TIRE VALVE STEM	1	X X	
6	H162719	BUSHING	1	X X	
..	BH79234	COMPLETE GOODS/SHIP. BUNDLE	1	X X	TIRE/WHEEL-RH 35.5LX32 12PLY
..	BH79235	COMPLETE GOODS/SHIP. BUNDLE	1	X X	TIRE/WHEEL-LH 35.5LX32 12PLY

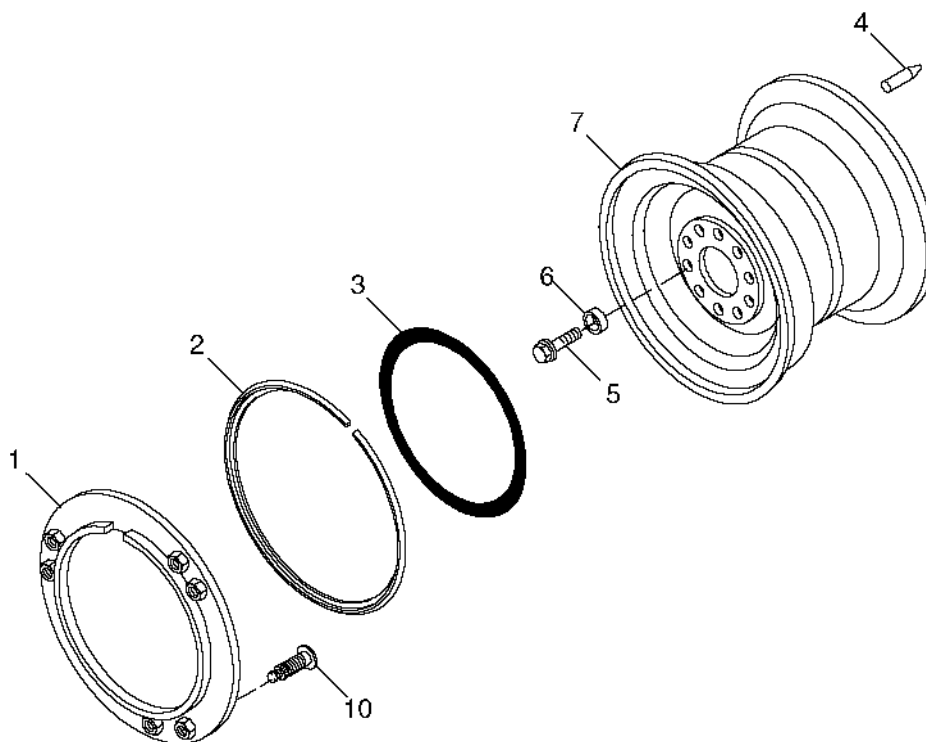
NOTE: REFERENCE SECTION 170 FOR TIRE/WHEEL LABELS AND DECALS
 NOTE: QUANTITIES SHOWN ARE FOR ONE UNIT. TWO UNITS USED PER MACHINE.

2B15

HIGH FLOATION DRIVE WHEELS

HEAVY DUTY FINAL DRIVE

HP9718 -UN-18APR00



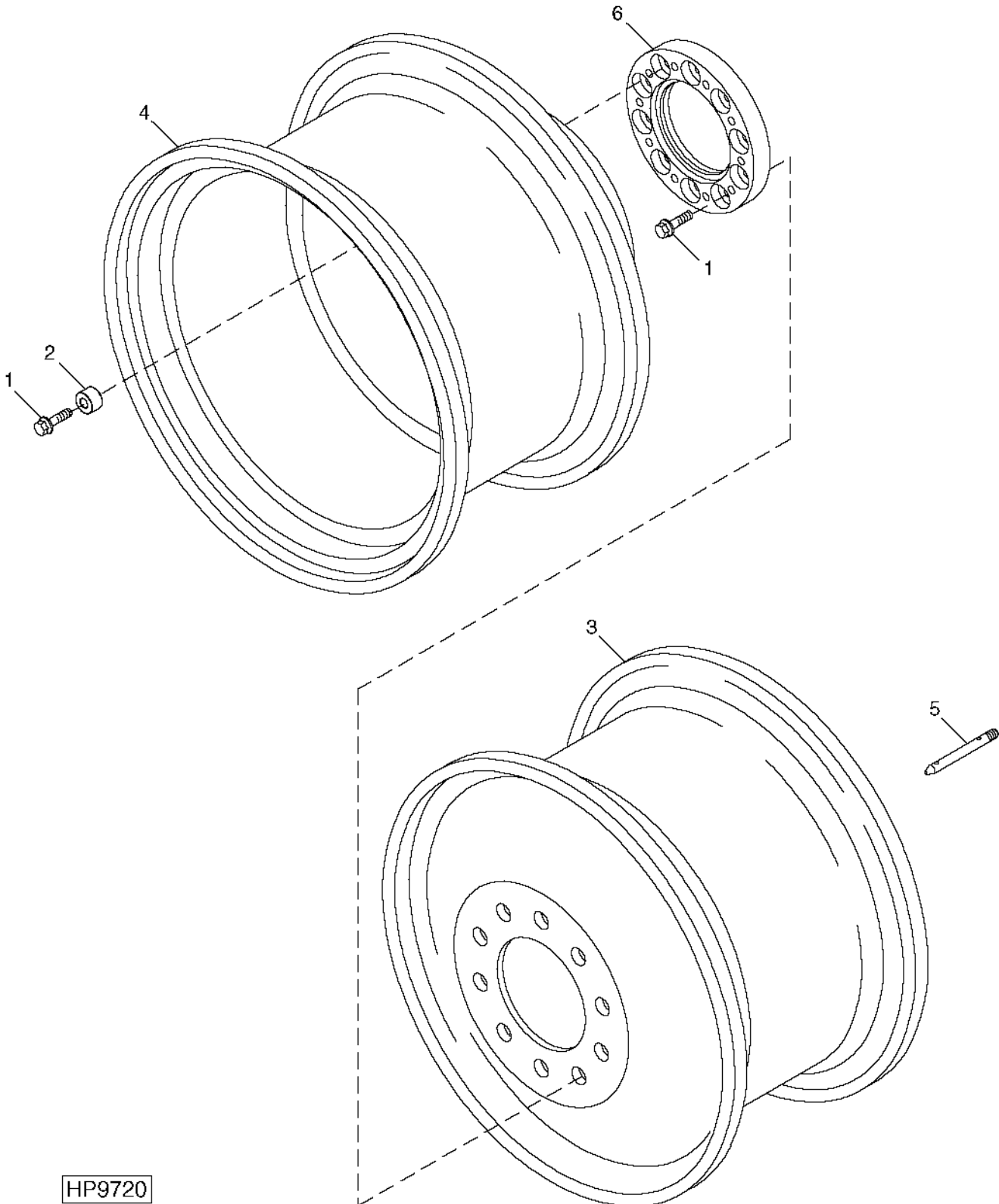
HP9718

KEY	PART NO.	PART NAME	QTY	SERIAL NO.	REMARKS
				9 9	
				6 7	
				5 5	
				0 0	
1	AH147544	FLANGE	1	X X	
2	H105822	RING	1	X X	
3	H111500	O-RING	1	X X	
4	H138607	STUD	1	X X	
5	H170072	SCREW	10	X X	
6	H134114	SPACER	10	X X	
7	AH147546	WHEEL	1	X X	(32X44)
8	AT36212	TIRE VALVE STEM	1	X X	
..	BH81148	COMPLETE GOODS/SHIP. BUNDLE	1	X X	TIRE/WHEEL
..	BH81149	COMPLETE GOODS/SHIP. BUNDLE	1	X X	TIRE/WHEEL
..	BH81537	COMPLETE GOODS/SHIP. BUNDLE	1	X X	WHEEL BOLTS (FLOTATION TIRES)

NOTE: REFERENCE SECTION 170 FOR TIRE/WHEEL LABELS AND DECALS
 NOTE: QUANTITIES SHOWN ARE FOR ONE UNIT. TWO UNITS USED PER MACHINE.

2B16

WIDE-SPACED DUAL WHEELS
HP9720 -UN-18APR00



HP9720

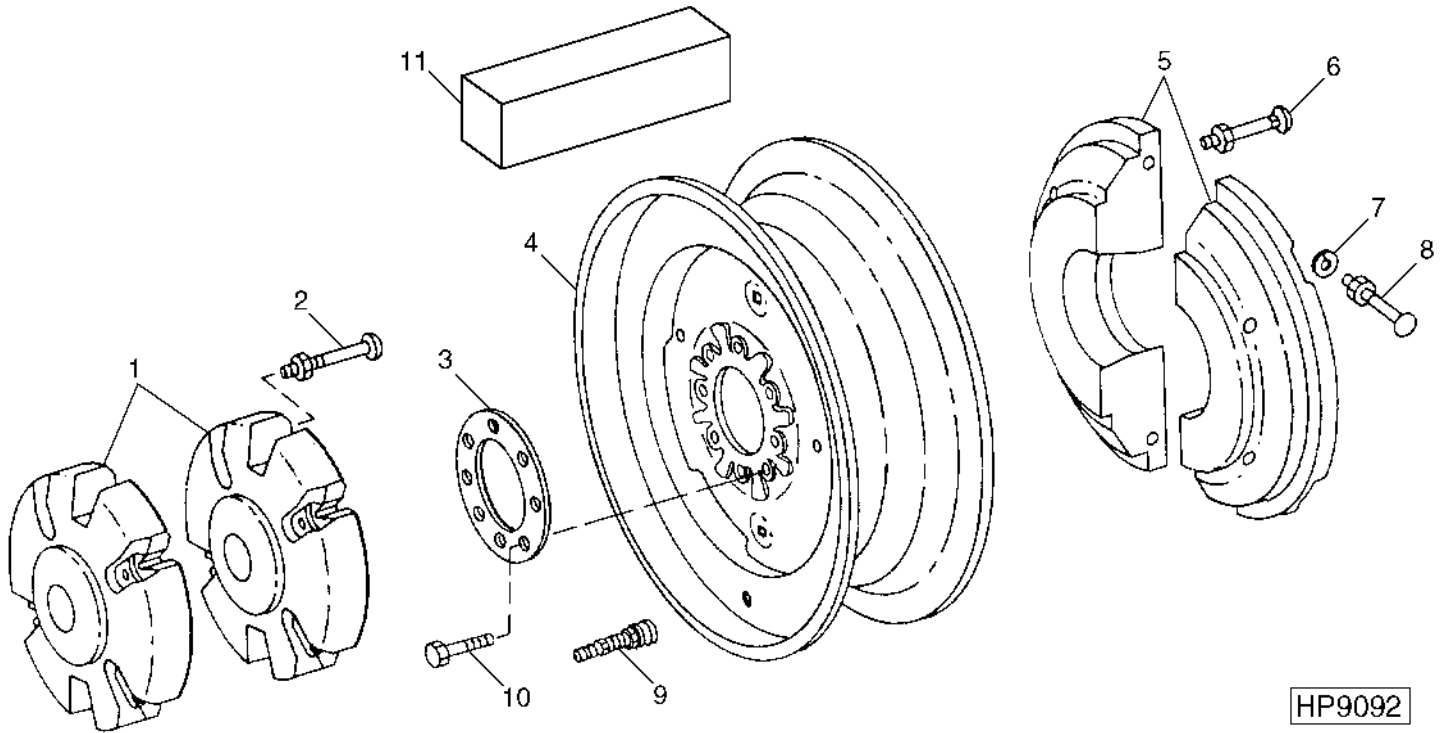
WIDE-SPACED DUAL WHEELS - CONTINUED

KEY	PART NO.	PART NAME	QTY	SERIAL NO.	REMARKS
				9 9	
				6 7	
				5 5	
				0 0	
1	H170072	SCREW	20	X X	
2	H134114	SPACER	10	X X	
3	AH130627	WHEEL	1	X X	(38 W16L)(REGULAR DUTY FINAL DRIVE)
	AH130626	WHEEL	1	X X	(42-DDWL 16")(HEAVY DUTY FINAL DRIVE)
	AH140253	WHEEL	1	X X	(38-WH18A)(REGULAR DUTY FINAL DRIVE)
	AH145348	WHEEL	1	X X	(42XDDWL18)(HEAVY DUTY FINAL DRIVE)
	AH163172	WHEEL	1	X X	(38XWH18A)(HEAVY DUTY FINAL DRIVE)
	AH160832	WHEEL	1	X X	(42XDD16, 335BC-11.070) (HEAVY DUTY FINAL DRIVE)
4	AH150343	WHEEL	1	X X	(38XWH16)(REGULAR DUTY FINAL DRIVE)
	AH150345	WHEEL	1	X X	(42XDD 16)(HEAVY DUTY FINAL DRIVE)
	AH150344	WHEEL	1	X X	(38XWH 18A)(REGULAR DUTY FINAL DRIVE)
	AH150346	WHEEL	1	X X	(42XDD 18)(HEAVY DUTY FINAL DRIVE)
	AH163171	WHEEL AND TIRE ASSEMBLY	1	X X	(38XWH18A)(HEAVY DUTY FINAL DRIVE)
	AH160832	WHEEL	1	X X	(42XDD16, 335BC-11.070) (HEAVY DUTY FINAL DRIVE)
5	H138607	STUD	1	X X	USE FOR WHEEL MOUNTING ONLY
6	N276699	SPACER	1	X X	(REGULAR DUTY FINAL DRIVE)
	H157698	SPACER	1	X X	(HEAVY DUTY FINAL DRIVE)
..	BH81543	COMPLETE GOODS/SHIP. BUNDLE	1	X X	L.H. INNER WHEEL (20.8 R38)
..	BH81544	COMPLETE GOODS/SHIP. BUNDLE	1	X X	R.H. INNER WHEEL (20.8 R38)
..	BH81545	COMPLETE GOODS/SHIP. BUNDLE	1	X X	L.H. OUTER WHEEL (20.8 R38)
..	BH81546	COMPLETE GOODS/SHIP. BUNDLE	1	X X	R.H. OUTER WHEEL (20.8 R38)
..	BH81557	COMPLETE GOODS/SHIP. BUNDLE	1	X	L.H. INNER WHEEL (20.8 R38 R2)
..	BH81558	COMPLETE GOODS/SHIP. BUNDLE	1	X	R.H. INNER WHEEL (20.8 R38 R2)
..	BH81559	COMPLETE GOODS/SHIP. BUNDLE	1	X	L.H. OUTER WHEEL (20.8 R38 R2)
..	BH81560	COMPLETE GOODS/SHIP. BUNDLE	1	X	R.H. OUTER WHEEL (20.8 R38 R2)
..	BH81514	COMPLETE GOODS/SHIP. BUNDLE	1	X	L.H. OUTER/R.H. INNER TIRE/WHEEL 18.4R42
..	BH81515	COMPLETE GOODS/SHIP. BUNDLE	1	X	R.H. OUTER/L.H. INNER TIRE/WHEEL 18.4R42
..	BH81538	COMPLETE GOODS/SHIP. BUNDLE	1	X X	WHEEL BOLTS (DUAL WHEELS)
..	BH81242	COMPLETE GOODS/SHIP. BUNDLE	1	X X	L.H. TIRE/WHEEL 20.8X42
..	BH81243	COMPLETE GOODS/SHIP. BUNDLE	1	X X	R.H. TIRE/WHEEL 20.8X42
..	BH81539	COMPLETE GOODS/SHIP. BUNDLE	1	X X	WHEEL BOLTS (INNER DUALS)
..	BH81774	COMPLETE GOODS/SHIP. BUNDLE	1	X X	L.H. INNER TIRE/WHEEL 20.8R42 R2
..	BH81776	COMPLETE GOODS/SHIP. BUNDLE	1	X X	R.H. INNER TIRE/WHEEL 20.8R42 R2
..	BH81775	COMPLETE GOODS/SHIP. BUNDLE	1	X X	L.H. OUTER TIRE/WHEEL 20.8R42 R2
..	BH81777	COMPLETE GOODS/SHIP. BUNDLE	1	X X	R.H. OUTER TIRE/WHEEL 20.8R42 R2
..	BH81215	COMPLETE GOODS/SHIP. BUNDLE	1	X X	L.H. OUTER TIRE/WHEEL 18.4R42 R1
..	BH81216	COMPLETE GOODS/SHIP. BUNDLE	1	X X	R.H. OUTER TIRE/WHEEL 18.4R42 R1
..	BH81236	COMPLETE GOODS/SHIP. BUNDLE	1	X X	L.H. TIRE/WHEEL 18.4R42
..	BH81237	COMPLETE GOODS/SHIP. BUNDLE	1	X X	R.H. TIRE/WHEEL 18.4R42
..	BH81217	COMPLETE GOODS/SHIP. BUNDLE	1	X X	L.H. OUTER TIRE/WHEEL 20.8R42 R1
..	BH81218	COMPLETE GOODS/SHIP. BUNDLE	1	X X	R.H. OUTER TIRE/WHEEL 20.8R42 R1

NOTE: REFERENCE SECTION 170 FOR TIRE/WHEEL LABELS AND DECALS
 NOTE: QUANTITIES SHOWN ARE FOR ONE UNIT. TWO UNITS USED PER MACHINE.

2B18

REAR WHEELS AND WHEEL WEIGHTS
HP9092 -UN-22SEP99



HP9092

2B19

POWER TRAIN

REAR WHEELS AND WHEEL WEIGHTS - CONTINUED

KEY	PART NO.	PART NAME	QTY	SERIAL NO.	REMARKS
				9 9	
				6 7	
				5 5	
				0 0	
1	H174140	WEIGHT	AR	X X	OUTSIDE, (SUB FOR H103543)
2	03H1858	BOLT	4	X X	5/8" X 3-1/2"
	12H294	LOCK WASHER	4	X X	5/8"
	14H1039	NUT	4	X X	5/8"
3	H84375	RING	1	X X	
4	AH167434	WHEEL	1	X X	(DW14-26) (SUB FOR AH135217)
	AH144695	WHEEL	1	X X	(26XDW25A) (SUB AH167584)
	AH167584	WHEEL	1	X X	(26XDW25A)
	AH160321	WHEEL	1	X X	(26XDW12) (SUB AH167583)
	AH167583	WHEEL	1	X X	(26XDW12)
5	H95547	WEIGHT	2	X X	INSIDE
6	03H1605	BOLT	4	X X	5/8" X 4" (WITH INSIDE WEIGHTS)
	03H1860	BOLT	4	X X	5/8" X 6" (WITH INSIDE AND OUTSIDE WEIGHTS)
	12H294	LOCK WASHER	4	X X	5/8"
	14H1039	NUT	4	X X	5/8"
7	24H1111	WASHER	2	X X	17/32" X 1-1/16" X 0.090"
8	03H1852	BOLT	2	X X	1/2" X 4"
	12H301	LOCK WASHER	2	X X	1/2"
	14H1040	NUT	2	X X	1/2"
9	AT25226	TIRE VALVE STEM	1	X X	
10	H168476	SCREW	8	X X	
11	H159791	BAR	1	X X	
..	BH81792	COMPLETE GOODS/SHIP. BUNDLE	1	X X	L.H. TIRE/WHEEL (28 X 26 10 PLY)
..	BH81793	COMPLETE GOODS/SHIP. BUNDLE	1	X X	R.H. TIRE/WHEEL (28 X 26 10 PLY)
..	BH81794	COMPLETE GOODS/SHIP. BUNDLE	1	X X	L.H. TIRE/WHEEL (28 X 26 12 PLY)
..	BH81795	COMPLETE GOODS/SHIP. BUNDLE	1	X X	R.H. TIRE/WHEEL (28 X 26 12 PLY)
..	BH81801	COMPLETE GOODS/SHIP. BUNDLE	1	X X	AXLE STOP BLOCK
..	BH81635	COMPLETE GOODS/SHIP. BUNDLE	1	X X	AXLE STOP BLOCK
..	BH81416	COMPLETE GOODS/SHIP. BUNDLE	1	X X	WHEEL HUB SPACER 100/335 BC

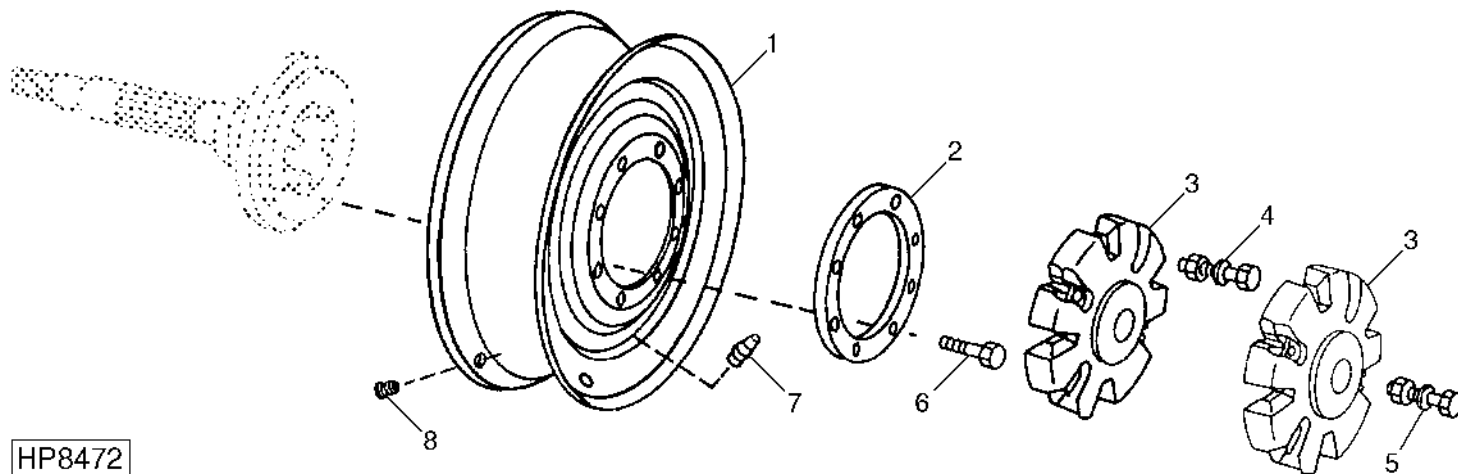
NOTE: QUANTITIES SHOWN ARE FOR ONE UNIT. TWO UNITS USED PER MACHINE.

NOTE: REFERENCE SECTION 170 FOR TIRE/WHEEL LABELS AND DECALS

2B20

**REAR WHEELS
(4-WHEEL DRIVE / CAM LOBE MOTOR)**

HP8472 -UN-21APR99



HP8472

KEY	PART NO.	PART NAME	QTY	SERIAL NO.	REMARKS
				9 9	
				6 7	
				5 5	
				0 0	
1	AH64610	WHEEL	1	X X	(DW16X26) (SUB AH167582)
	AH167582	WHEEL CENTER	1	X X	(DW16X26)
	AH138809	WHEEL	1	X X	(DW16X30)
2	H84375	RING	1	X X	
3	H174140	WEIGHT	AR	X X	(SUB FOR H103543)
4	03H2075	BOLT	4	X X	5/8" X 3"
	12H294	LOCK WASHER	4	X X	5/8"
	14H1039	NUT	4	X X	5/8"
5	03H1858	BOLT	4	X X	5/8" X 3-1/2"
	12H294	LOCK WASHER	4	X X	5/8"
	14H1039	NUT	4	X X	5/8"
6	H163491	CAP SCREW	8	X X	
7	AT25226	TIRE VALVE STEM	1	X X	
8	AH86866	PLUG	1	X X	
..	BH81592	COMPLETE GOODS/SHIP. BUNDLE	1	X X	WHEEL BOLTS - POWERED REAR AXLE

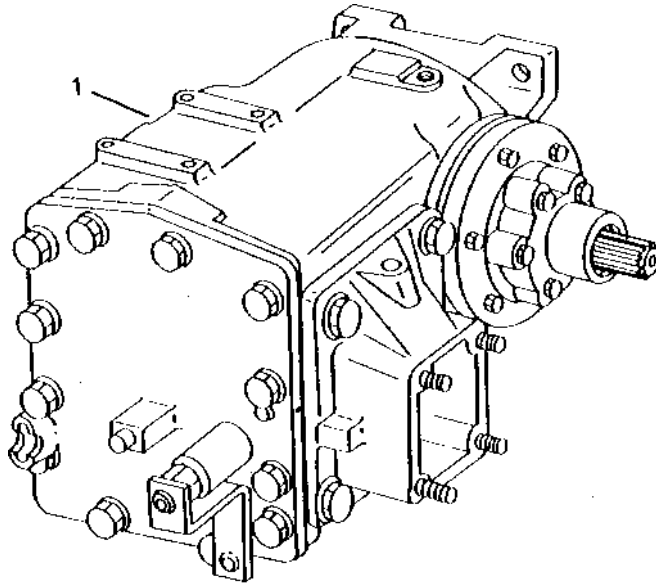
NOTE: QUANTITIES SHOWN ARE FOR ONE UNIT. TWO UNITS USED PER MACHINE.

NOTE: REFERENCE SECTION 170 FOR TIRE/WHEEL LABELS AND DECALS

2B21

POWER TRAIN

TRANSMISSION
HP5722 -UN-01JAN94



HP5722

KEY	PART NO.	PART NAME	QTY	SERIAL NO.	REMARKS
				9 9	
				6 7	
				5 5	
				0 0	
1	AH157698	TRANSMISSION	1	X X	7 MPH
	AH157699	TRANSMISSION	1	X X	10 MPH

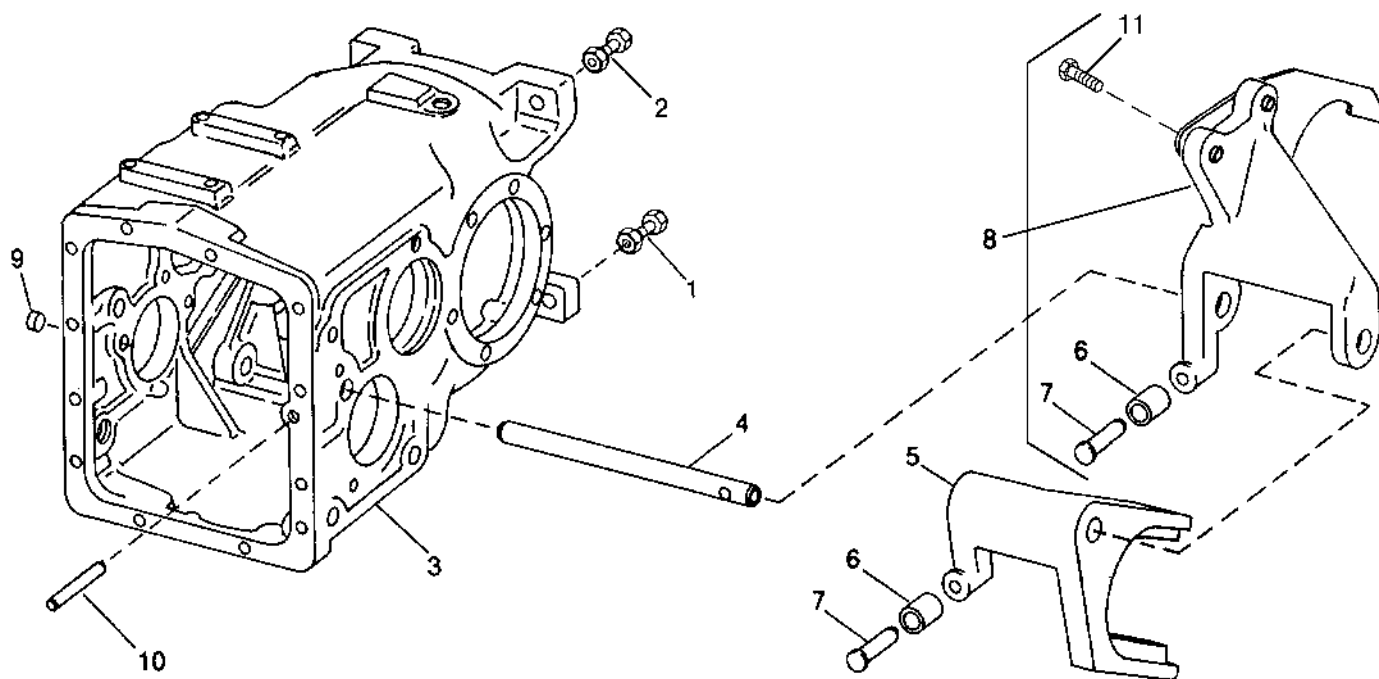
NOTE : DOES NOT INCLUDE BRAKES, BRAKE SHAFT, BRAKE LINES, SPEED PICKUP AND BREATHER

2B22

POWER TRAIN

TRANSMISSION AND SHIFTER FORKS

HP8036 -UN-27JUL99



HP8036

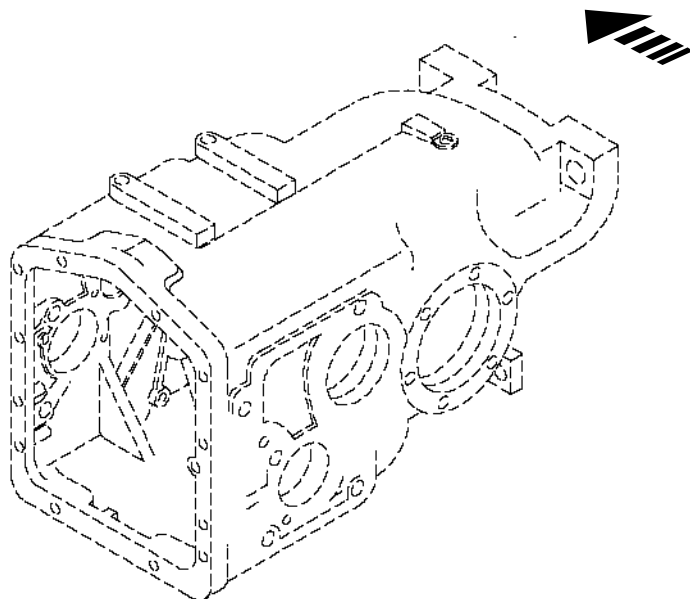
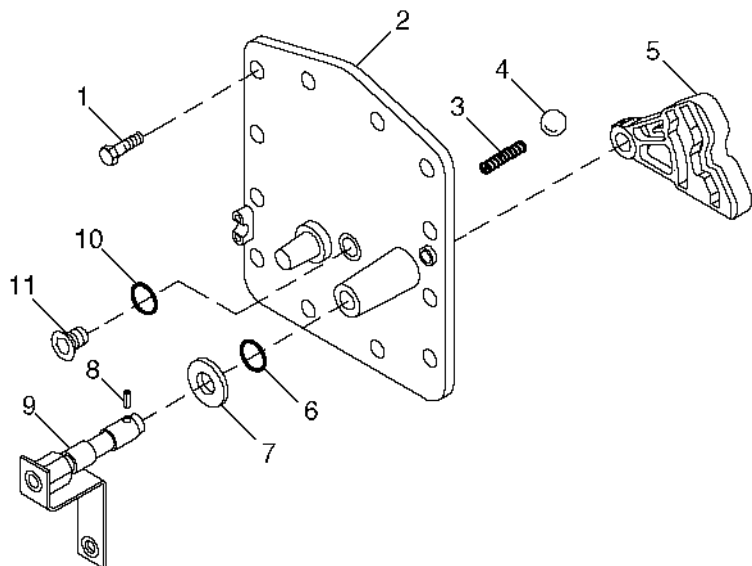
KEY	PART NO.	PART NAME	QTY	SERIAL NO.	REMARKS
				9 9	
				6 7	
				5 5	
				0 0	
1	H107504	BOLT	2	X X	NOT USED ON HEAVY DUTY
	14M7291	FLANGE NUT	2	X X	M16
2	42M7028	STUD	2	X X	
	14M7291	FLANGE NUT	2	X X	M16
3	HOUSING	1	X X	(ORDER AH140410)
4	H146640	RAIL	1	X X	
5	H135112	SHIFTER	1	X X	
6	R26207	ROLLER	2	X X	
7	H76152	PIN	2	X X	
8	AH122575	SHIFTER	1	X X	
9	N102039	CAP	1	X X	
10	T76836	PIN	1	X X	
11	19M7785	SCREW	3	X X	M10 X 25
..	TY9371	ADHESIVE	1	X X	6 ML (0.2 OZ.) TUBE, HIGH STRENGTH
..	TY6304	SEALANT	1	X X	

2B23

POWER TRAIN

TRANSMISSION AND DIFFERENTIAL HOUSING COVER, AND SHIFTER CAM

HP8038 -UN-27JUL99



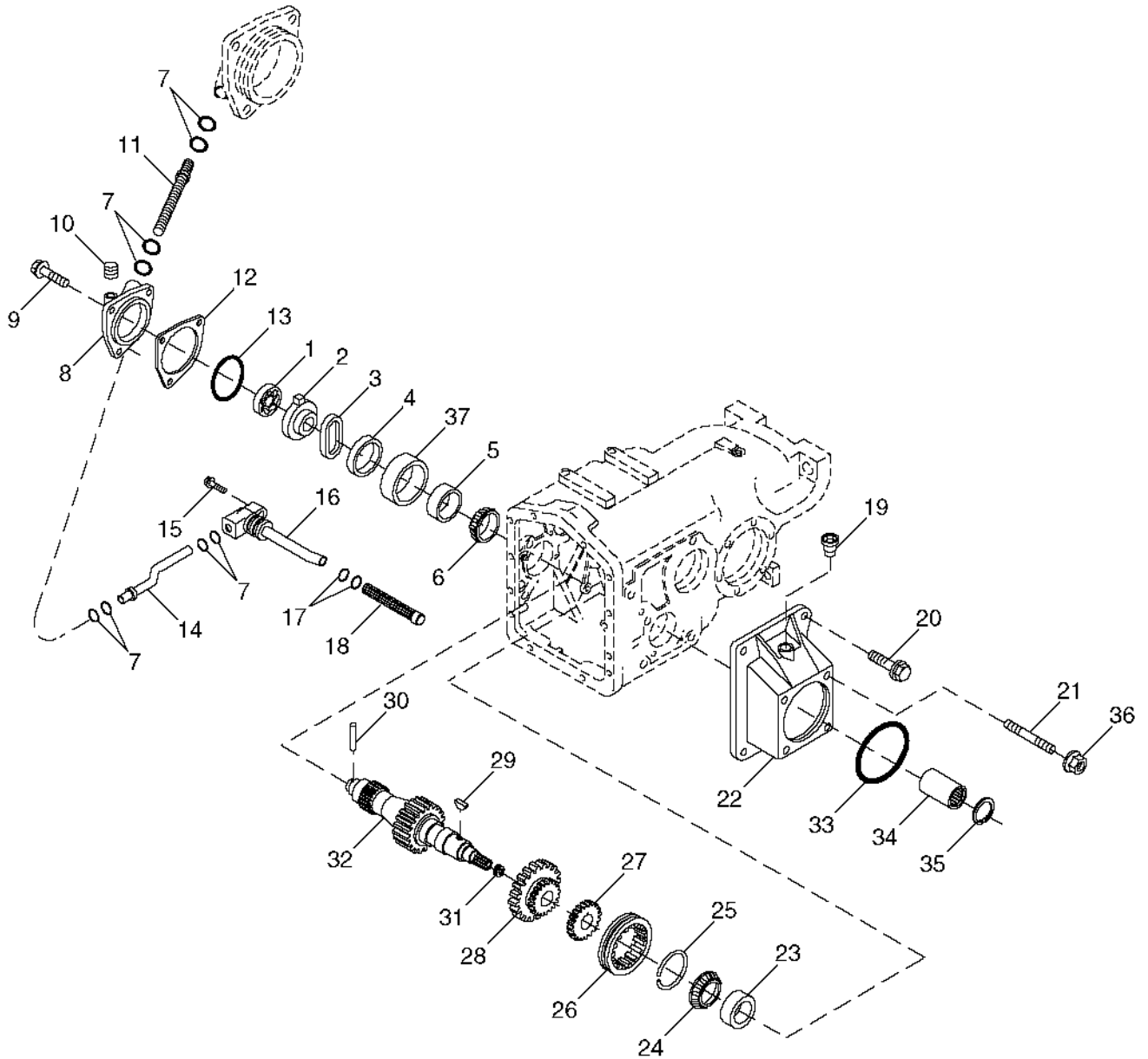
HP8038

KEY	PART NO.	PART NAME	QTY	SERIAL NO.	REMARKS
				9 9	
				6 7	
				5 5	
				0 0	
1	19M7786	SCREW	12	X X	M10 X 30
2	N199920	COVER	1	X X	
3	T27888	SPRING	1	X X	
4	R1818R	BALL	1	X X	
5	H167375	CAM	1	X X	
6	R71144	O-RING	1	X X	
7	H75700	WASHER	1	X X	
8	CE18374	SPRING PIN	1	X X	
9	AH128267	ARM	1	X X	
10	R26375	O-RING	1	X X	
11	R33138	FITTING	1	X X	

2B24

TRANSMISSION INPUT SHAFT, GEARS, LUBE PUMP AND BEARINGS

HP8623 -UN-04JUN99



HP8623

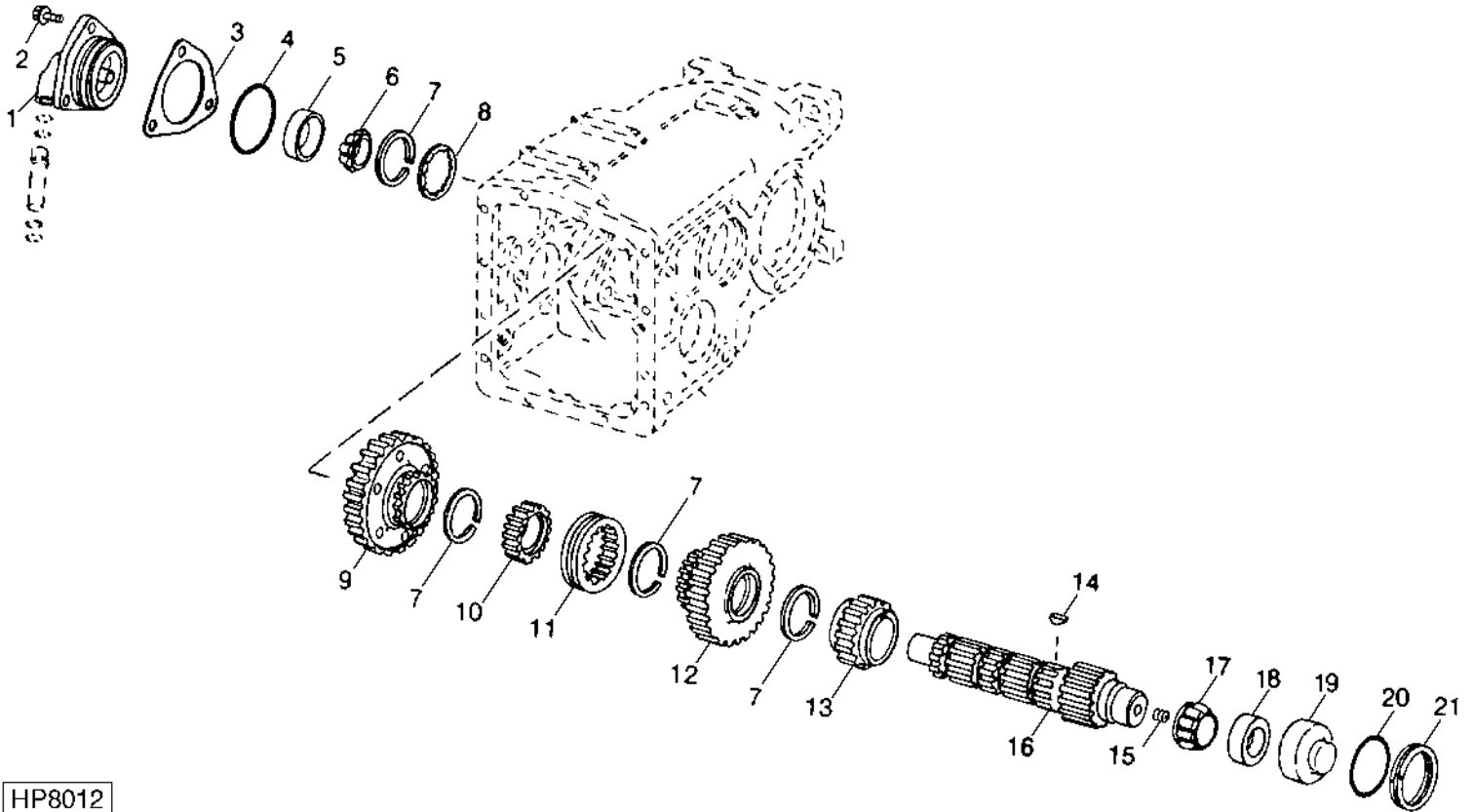
2B25

POWER TRAIN

TRANSMISSION INPUT SHAFT, GEARS, LUBE PUMP AND BEARINGS - CONTINUED

KEY	PART NO.	PART NAME	QTY	SERIAL NO.	REMARKS
				9 9	
				6 7	
				5 5	
				0 0	
1	AH128528	ROTOR	1	X X	
2	H82234	PLATE	1	X X	LUBE PUMP PORT
3	H82232	WASHER	1	X X	(WAVE TYPE)
4	H82233	BUSHING	1	X X	
5	JD8257	BEARING CUP	1	X X	
6	AR94761	BEARING CONE	1	X X	
7	R394R	O-RING	8	X X	
8	H142030	HOUSING	1	X X	
9	19M7786	SCREW	3	X X	M10 X 30
10	15H638	PIPE PLUG	1	X X	1/8"
11	H131296	OIL TUBE	1	X X	
12	H132892	SHIM	AR	X X	0.076 (.003) THICK
	H132893	SHIM	AR	X X	0.127 (.005") THICK
	H132894	SHIM	AR	X X	0.508 (.02") THICK
13	TY6304	SEALANT	1	X X	PLASTIC GASKET
14	H131297	OIL TUBE	1	X X	
15	19M8162	CAP SCREW	1	X X	M10 X 40
16	AH125228	FITTING	1	X X	
17	R495R	O-RING	2	X X	
18	AH121580	SCREEN	1	X X	
19	AH20868	BREATHER	1	X X	
20	19M7844	SCREW	4	X X	M16 X 45
21	42M7029	STUD	4	X X	
22	H133165	BRACKET	1	X X	
23	JD8237	BEARING CUP	1	X X	
24	JD10182	BEARING CONE	1	X X	
25	P43969	SNAP RING	1	X X	
26	H129564	SHIFT COLLAR	1	X X	
27	H129565	SHIFT COLLAR	1	X X	THIRD GEAR
28	H135943	GEAR	1	X X	(36 TOOTH)
29	26M4228	SHAFT KEY	1	X X	8 X 28 MM
30	H75358	DOWEL PIN	1	X X	
31	H110539	ORIFICE	1	X X	
32	H133161	SHAFT	1	X X	INPUT WITH GEAR
	H143409	SHAFT	1	X X	INPUT WITH GEAR (EXPORT ONLY - AUSTRALIA)
33	R63308	O-RING	1	X X	
34	H129525	SPLINED COUPLING	1	X X	
35	M41029	SNAP RING	2	X X	
36	14M7299	FLANGE NUT	4	X X	M12
37	H142031	SLEEVE	1	X X	
..	TY9371	ADHESIVE	1	X X	HIGH STRENGTH 6 ML (0.2 OZ) TUBE
..	TY6304	SEALANT	1	X X	

TRANSMISSION PINION SHAFT, GEARS AND BEARINGS
HP8012 -UN-12JUL99



HP8012

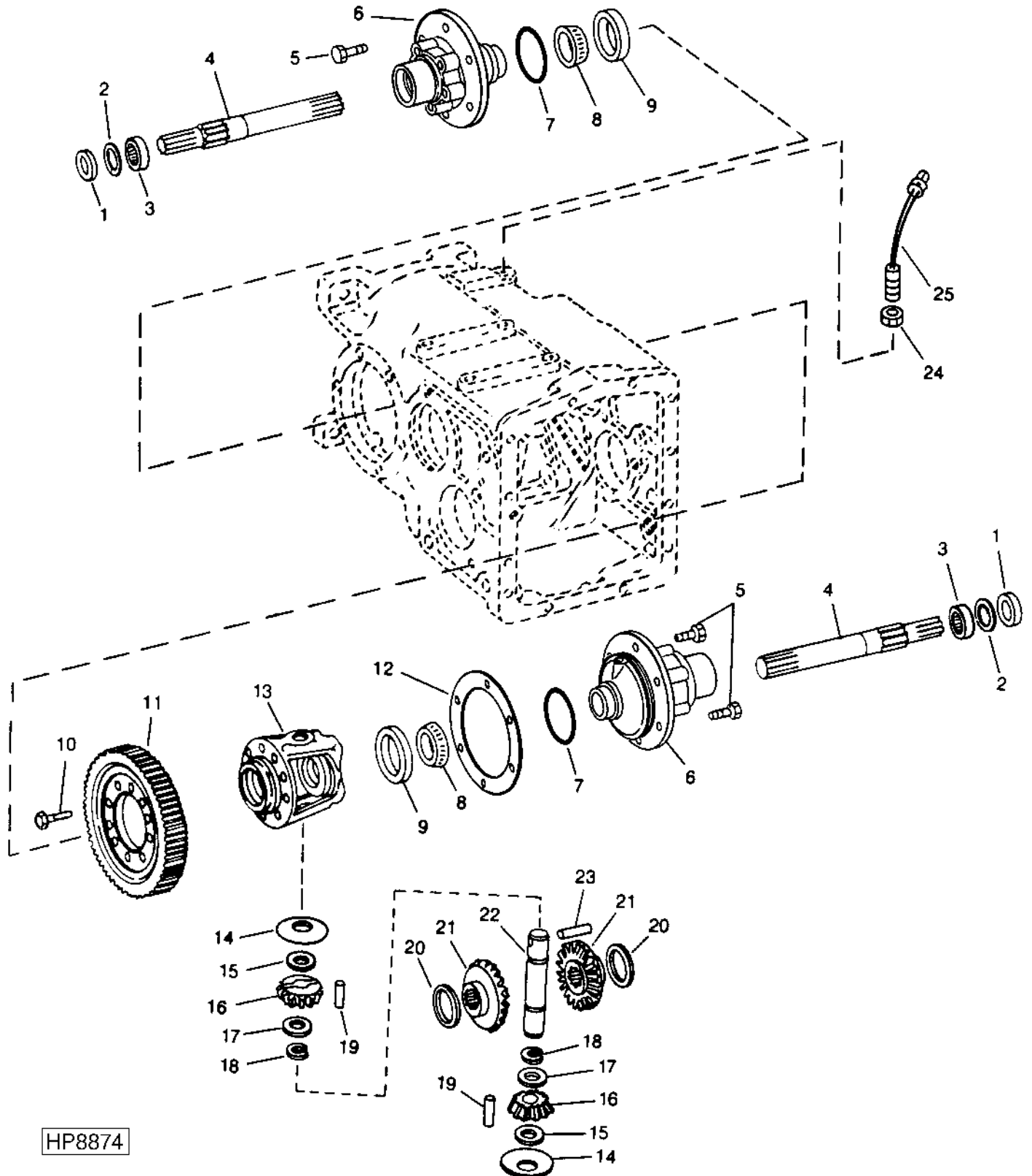
TRANSMISSION PINION SHAFT, GEARS AND BEARINGS - CONTINUED

KEY	PART NO.	PART NAME	QTY	SERIAL NO.	REMARKS
				9 9	
				6 7	
				5 5	
				0 0	
1	CE18201	PLANET PINION CARRIER	1	X X	
2	19M7786	SCREW	3	X X	M10 X 30
3	H132892	SHIM	AR	X X	0.076MM
	H132893	SHIM	AR	X X	0.127
	H132894	SHIM	AR	X X	0.508
4	U10776	O-RING	1	X X	
5	JD8267	BEARING CUP	1	X X	
6	JD8979	BEARING	1	X X	
7	R26265	SNAP RING	4	X X	
8	H103167	WASHER	1	X X	
9	H135944	GEAR	1	X X	(43 TOOTH)
10	H133010	SHIFT COLLAR	1	X X	(DRIVE)
11	H129564	SHIFT COLLAR	1	X X	
12	H135942	GEAR	1	X X	(32-TOOTH)
	H143408	GEAR	1	X X	29T (EXPORT ONLY - AUSTRALIA)
13	H132618	GEAR	1	X X	(24 TOOTH), FOR 3RD GEAR
14	26M4228	SHAFT KEY	1	X X	8 X 28 MM
15	H110539	ORIFICE	1	X X	
16	CE18223	PINION	1	X X	(13 TOOTH) HEAVY DUTY
17	JD8182	BEARING CONE	1	X X	
18	JD8223	BEARING CUP	1	X X	
19	H144385	BEARING CAP	1	X X	
20	U10746	O-RING	1	X X	
21	H129558	SNAP RING	1	X X	

2C3

TRANSMISSION DIFFERENTIAL GEARS AND SHAFTS

HP8874 -UN-29JUL99



HP8874

TRANSMISSION DIFFERENTIAL GEARS AND SHAFTS - CONTINUED

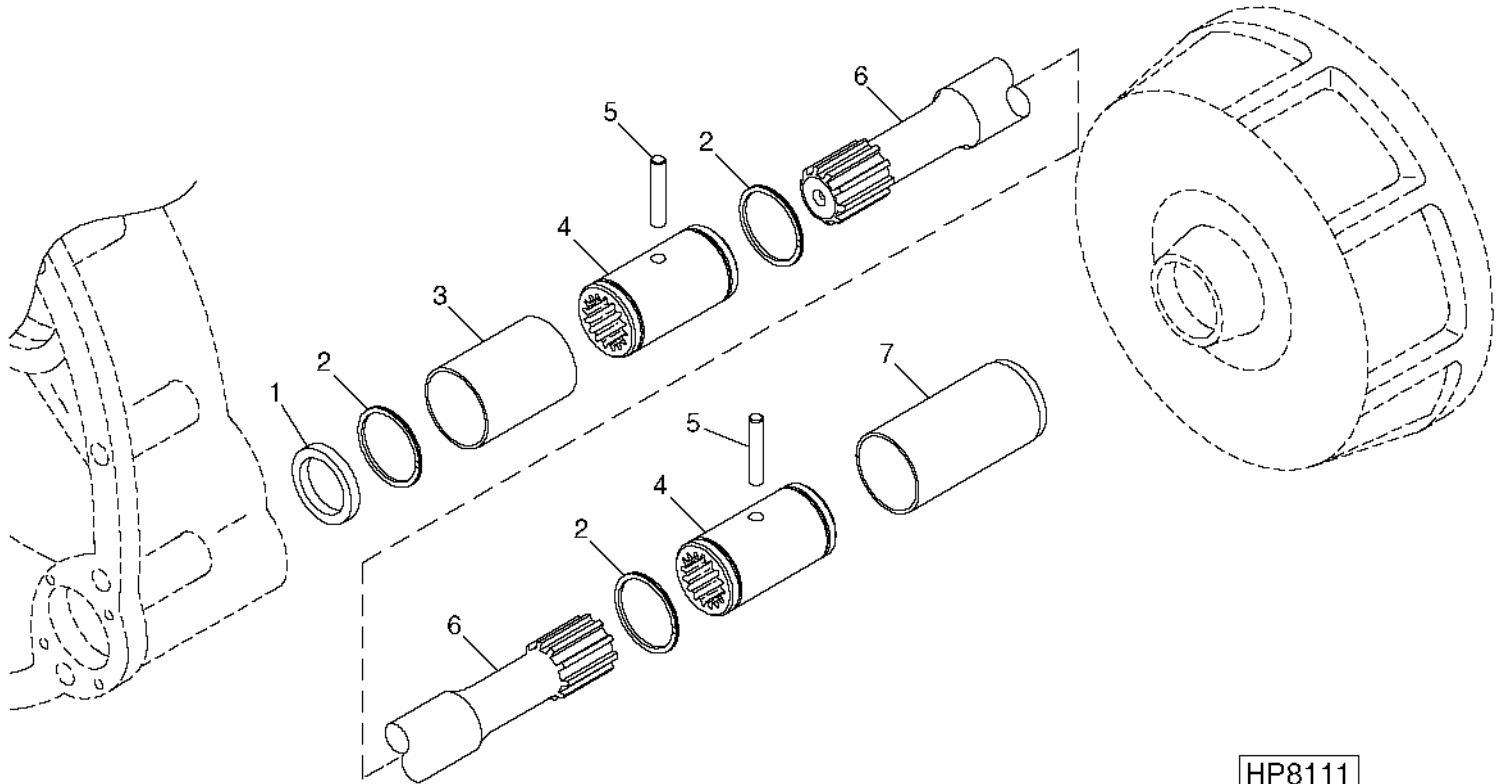
KEY	PART NO.	PART NAME	QTY	SERIAL NO.	REMARKS
				9 9	
				6 7	
				5 5	
				0 0	
1	AT40603	SEAL	2	X X	
2	C3936E	SNAP RING	2	X X	
3	JD7502	ROLLER BEARING	2	X X	
4	H165508	SHAFT	2	X X	
5	19M7844	SCREW	12	X X	M16 X 45
6	H130407	CRADLE	2	X X	
7	R27796	O-RING	2	X X	
8	JD8147	BEARING CONE	2	X X	
9	JD7425	BEARING CUP	2	X X	
10	19M7985	SCREW	14	X X	M12 X 35
11	CE18224	GEAR	1	X X	(60 TOOTH) HEAVY DUTY
12	H126572	SHIM	AR	X X	0.076MM THICK
	H126573	SHIM	AR	X X	0.127MM THICK
	H126575	SHIM	AR	X X	0.508 THICK
13	N197422	HOUSING	1	X X	
14	H133202	THRUST WASHER	2	X X	
15	R70112	THRUST WASHER	2	X X	
16	Z12964	PINION	1	X X	
17	R70113	THRUST WASHER	2	X X	
18	R70114	SNAP RING	2	X X	
19	R70115	NEEDLE ROLLER	52	X X	
20	H164794	WASHER	2	X X	
21	H92308	GEAR	2	X X	
22	H146646	PIN	1	X X	
23	34M7073	SPRING PIN	1	X X	10 X 65 MM
24	H104418	NUT	1	X X	
25	AH116104	SENSOR	1	X X	GROUND SPEED

MEMORANDA

2C5

POWER TRAIN

DRIVE SHAFT, FINAL DRIVE
HP8111 -UN-13AUG99

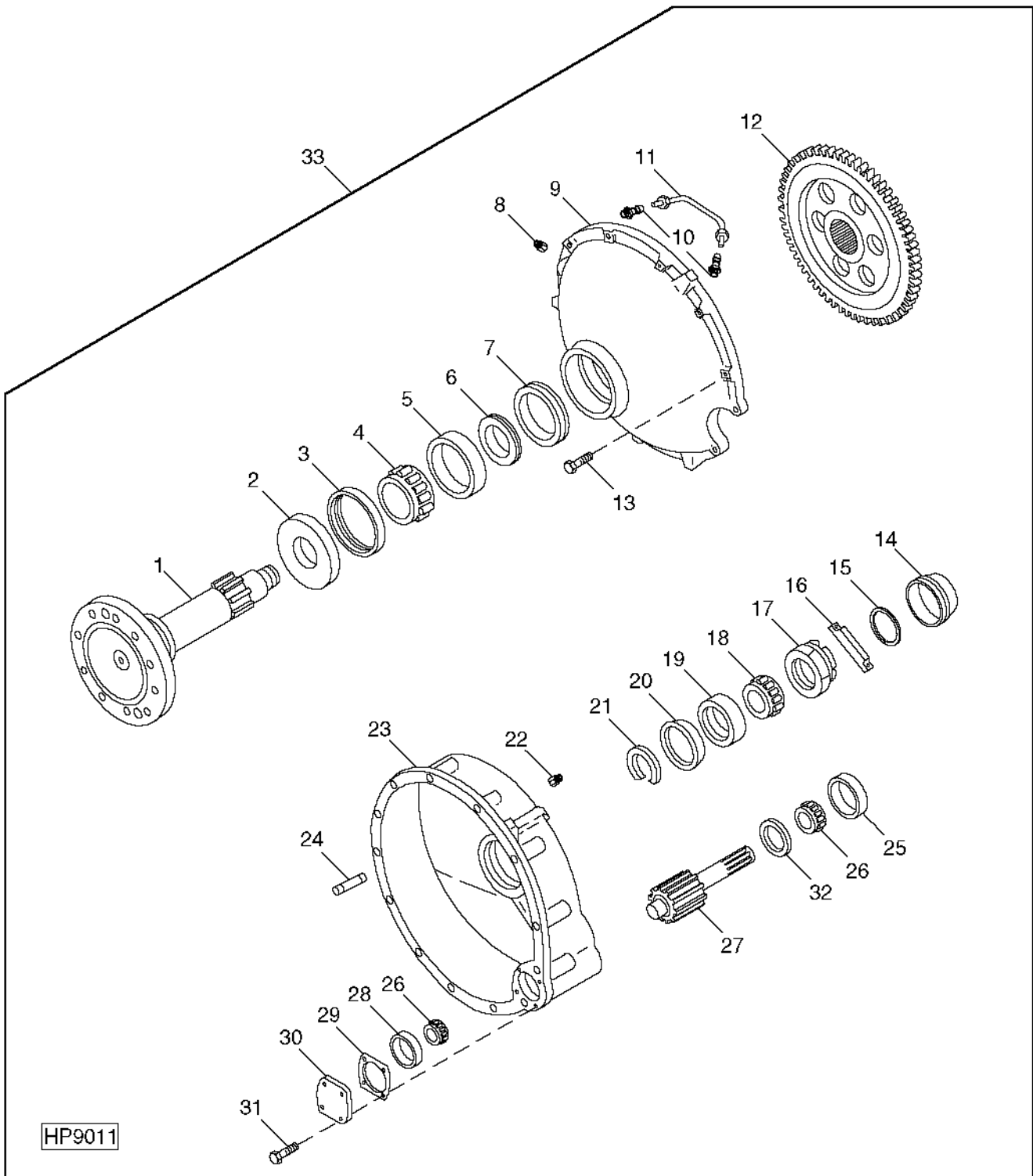


HP8111

KEY	PART NO.	PART NAME	QTY	SERIAL NO.	REMARKS
				9 9	
				6 7	
				5 5	
				0 0	
1	AH128391	SEAL	1	X X	
2	H133229	SNAP RING	3	X X	
3	H134444	SLEEVE	1	X X	
4	H165510	SPLINED COUPLING	2	X X	
5	H131754	PIN	2	X X	
6	H165665	SHAFT	1	X X	R.H.
	H165666	SHAFT	1	X X	L.H.
7	H166201	SLEEVE	1	X X	

2C6

FINAL DRIVE, SINGLE REDUCTION
HP9011 -UN-07SEP99

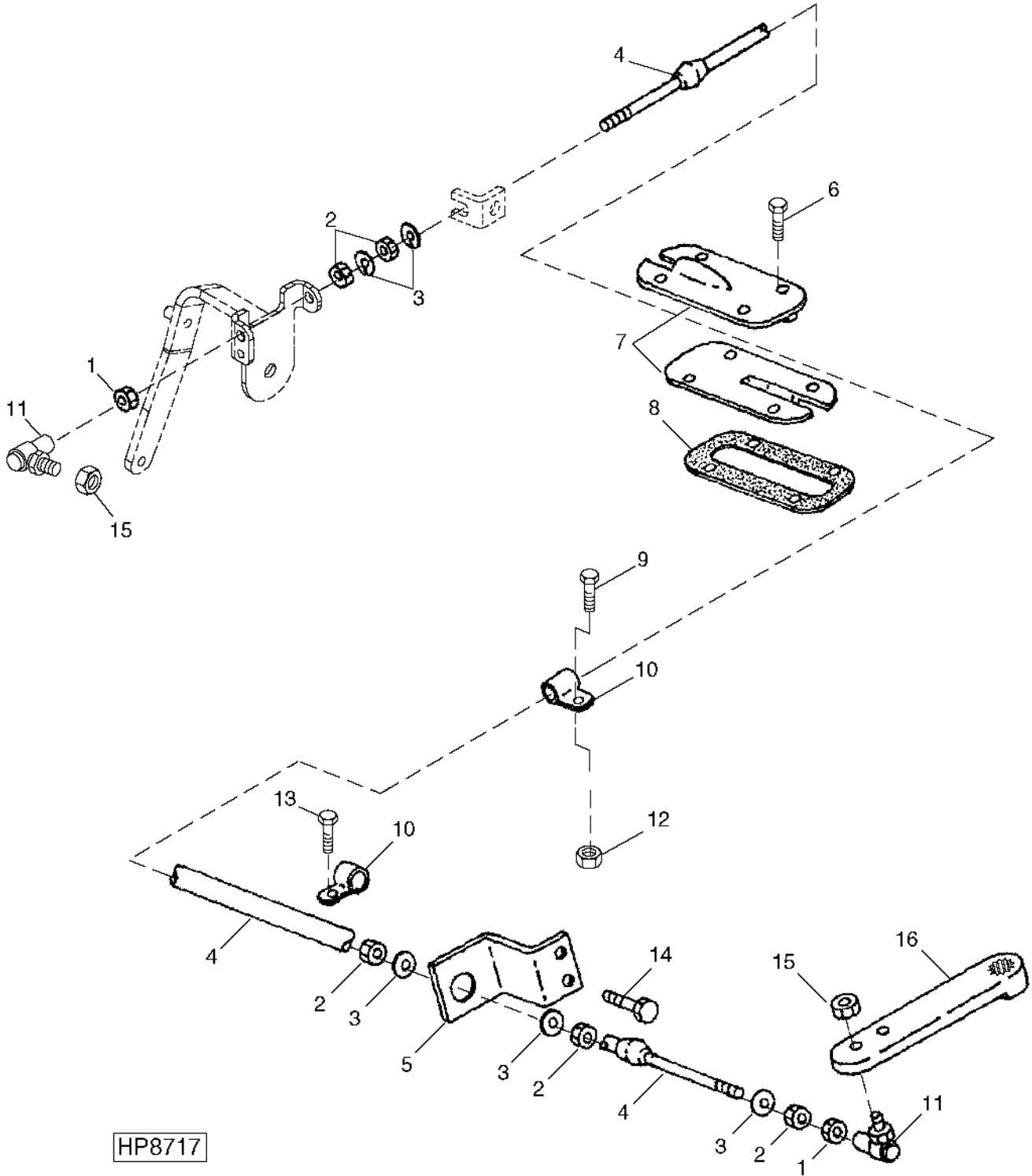


FINAL DRIVE, SINGLE REDUCTION - CONTINUED

KEY	PART NO.	PART NAME	QTY	SERIAL NO.	REMARKS
				9 9	
				6 7	
				5 5	
				0 0	
1	H161534	SPINDLE	1	X X	
2	AH112401	SEAL	1	X X	
3	R90080	OIL CUP	1	X X	
4	JD10134	BEARING CONE	1	X X	
5	JD10135	BEARING CUP	1	X X	
6	H161871	V-RING SEAL	1	X X	
7	AH155232	V-RING SEAL	1	X X	
8	JD7760	LUBRICATION FITTING	1	X X	
9	H163694	HOUSING	1	X X	(OUTER)
10	R35352	FITTING	2	X X	
11	AH156971	LINE	1	X X	
12	H167723	GEAR	1	X X	95 TOOTH
13	19M7824	SCREW	12	X X	M16 X 60
14	H154720	PLUG	1	X X	
15	H22784	SNAP RING	1	X X	
16	H125330	SHAFT KEY	1	X X	
17	H129854	NUT	1	X X	
18	JD10266	BEARING CONE	1	X X	
19	JD7298	BEARING CUP	1	X X	
20	H129557	SPACER	1	X X	
21	H118882	SNAP RING	1	X X	
22	15H584	PIPE PLUG	2	X X	1/2"
	P46369	FITTING	1	X X	VENT PLUG
23	H163692	HOUSING	1	X X	R.H.
	H163693	HOUSING	1	X X	L.H.
24	R54380	DOWEL PIN	2	X X	
25	JD7278	BEARING CUP	1	X X	
26	JD7228	BEARING CONE	2	X X	
27	H167722	PINION	1	X X	10 TOOTH
28	JD7278	BEARING CUP	1	X X	
29	H161541	SHIM	2	X X	
	H161542	SHIM	1	X X	
	H161543	SHIM	2	X X	
	H163745	SHIM	2	X X	
30	H161540	CAP	1	X X	
31	19M7835	SCREW	4	X X	M10 X 35
32	AH128391	SEAL	1	X X	
33	AH163029	DRIVE	1	X X	R.H.
	AH163028	DRIVE	1	X X	L.H.

NOTE: QUANTITIES SHOWN ARE FOR ONE UNIT. TWO UNITS USED PER MACHINE.

HYDROSTATIC DRIVE CONTROL CABLE
HP8717 -UN-12JUL99



HP8717

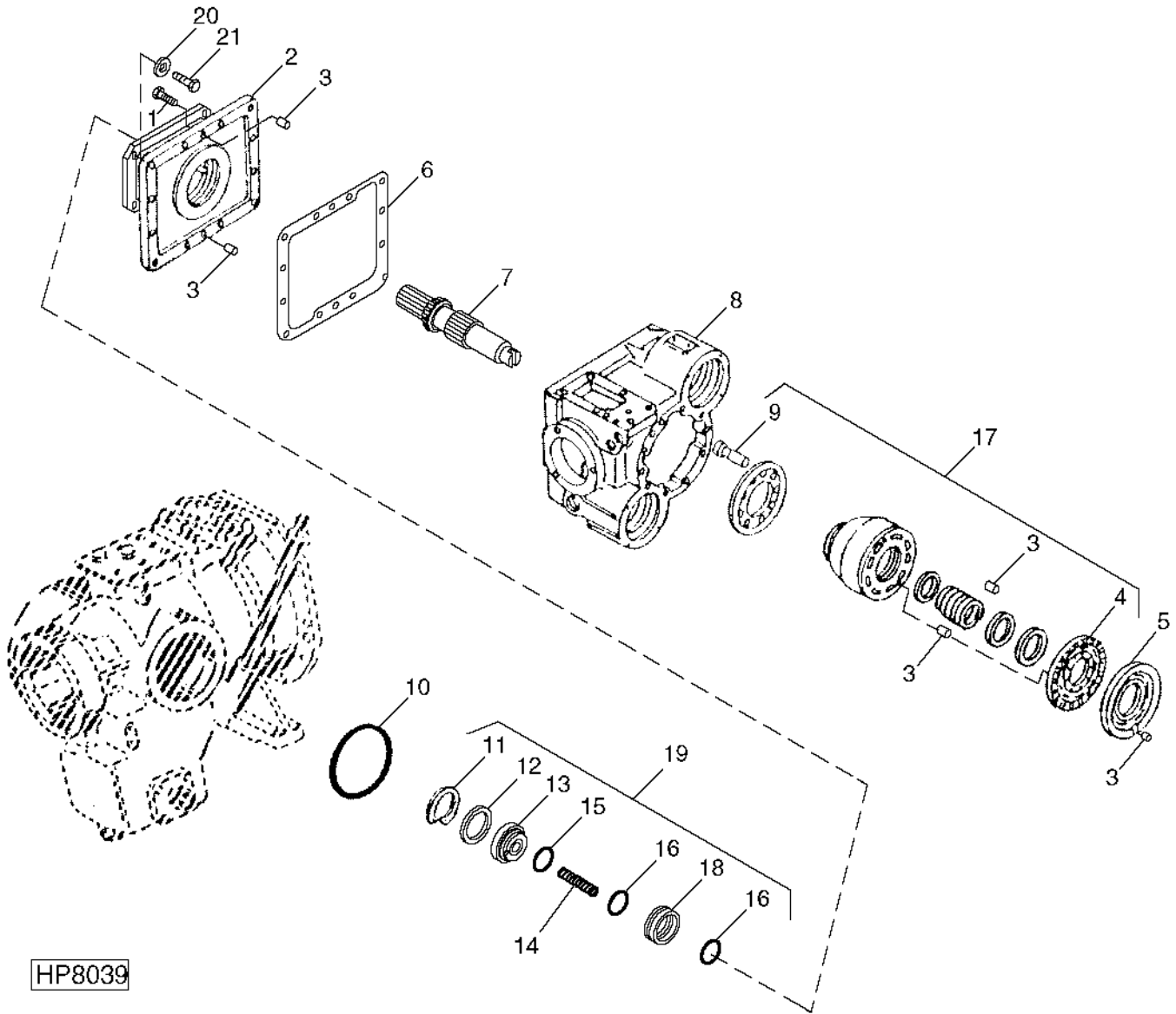
HYDROSTATIC DRIVE CONTROL CABLE - CONTINUED

KEY	PART NO.	PART NAME	QTY	SERIAL NO.	REMARKS
				9 9	
				6 7	
				5 5	
				0 0	
1	14M7272	NUT	2	X X	M6
2	14M7260	NUT	5	X X	M16
3	24M7241	WASHER	5	X X	17 X 34 X 4 MM
4	AH147263	PUSH PULL CABLE	1	X X	
5	H142045	SUPPORT	1	X X	HEAVY DUTY
6	37M7131	SCREW	4	X X	M6 X 20
7	H126124	CLAMP	2	X X	
8	H126123	GASKET	1	X X	
9	19M7868	SCREW	1	X X	M8 X 30
10	AH80916	CLIP	3	X X	
11	AH106933	BALL JOINT	2	X X	
12	14M7298	FLANGE NUT	1	X X	M8
13	37M7058	SCREW	1	X X	M8 X 20
14	19M7867	SCREW	2	X X	M8 X 25
15	H168961	LOCK NUT	1	X X	
16	H168988	LEVER	1	X X	

2C10

HYDROSTATIC DRIVE PUMP, FRONT COVER AND SHAFT

HP8039 -UN-26MAR99



HP8039

2C11

POWER TRAIN

HYDROSTATIC DRIVE PUMP, FRONT COVER AND SHAFT - CONTINUED

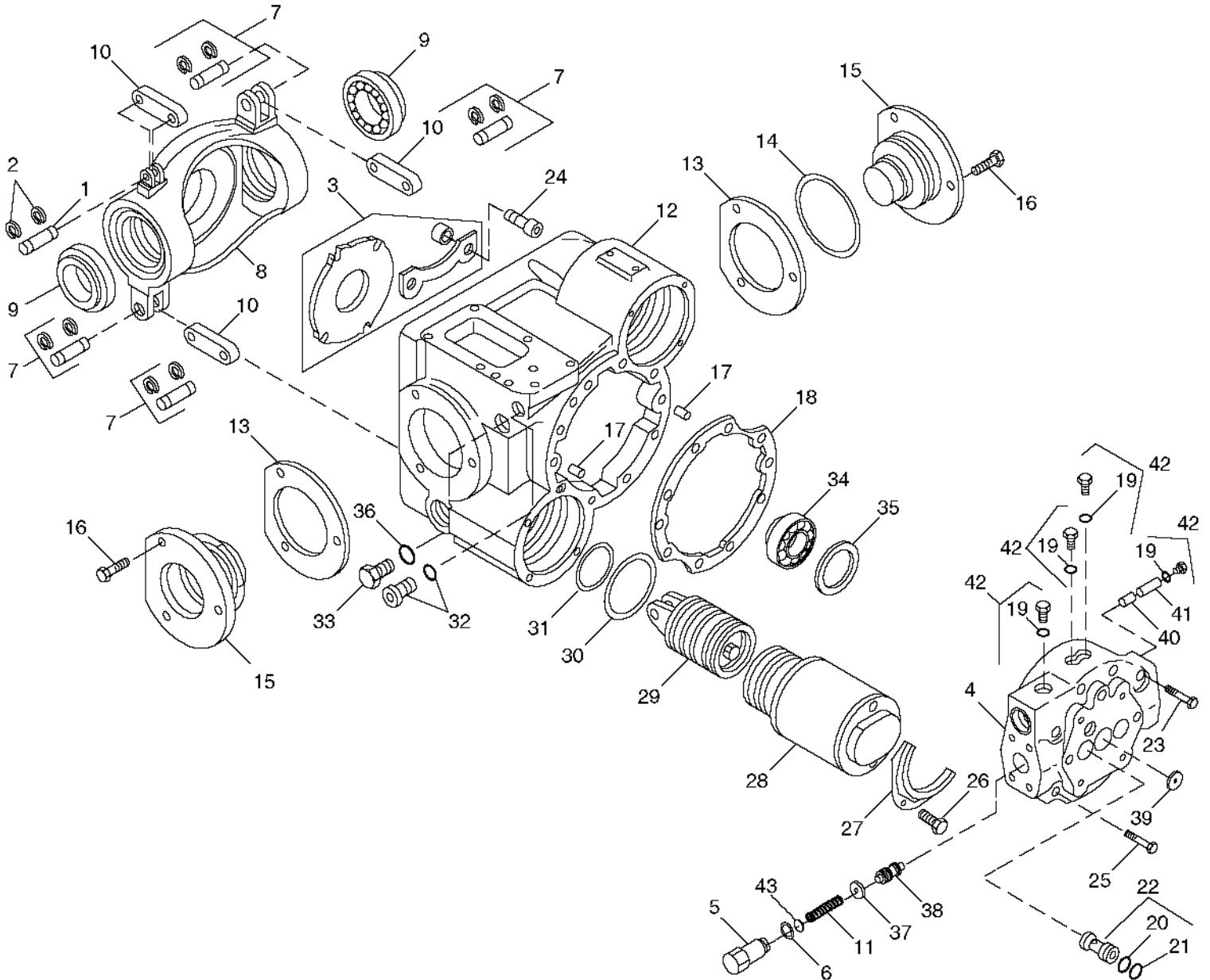
KEY	PART NO.	PART NAME	QTY	SERIAL NO.	REMARKS
				9 9	
				6 7	
				5 5	
				0 0	
1	19H1821	CAP SCREW	12	X X	7/16" X 1-1/4"
2	FLANGE	1	X X	
3	H63271	PIN	5	X X	
4	H135700	PLATE	1	X X	
5	H138900	PLATE	1	X X	
6	H115060	GASKET	1	X X	
7	AH133663	SHAFT	1	X X	
8	HOUSING	1	X X	
9	AH131388	PISTON	1	X X	
10	R63308	O-RING	1	X X	
11	N126612	SNAP RING	1	X X	
12	R112857	O-RING	1	X X	
13	RETAINER	1	X X	(KIT AN193085)
14	N191174	SPRING	6	X X	
15	U15415	O-RING	1	X X	
16	N196034	O-RING	2	X X	
17	AH131387	KIT	1	X X	
18	SEAL KIT	1	X X	
19	AN193085	SEAL KIT	1	X X	
20	T29342	WASHER	4	X X	
21	19M7493	CAP SCREW	4	X X	M12 X 40
..	AH164940	HYDRAULIC PUMP	1	X X	REMANUFACTURED (105CC)

2C12

POWER TRAIN

HYDROSTATIC DRIVE PUMP, HOUSING, SWASHPLATE, AND SERVO CYLINDERS

HP8037 -UN-12JUL99



HP8037

2C13

POWER TRAIN

HYDROSTATIC DRIVE PUMP, HOUSING, SWASHPLATE, AND SERVO CYLINDERS - CONTINUED

KEY	PART NO.	PART NAME	QTY	SERIAL NO.	REMARKS
				9 9	
				6 7	
				5 5	
				0 0	
1	N126603	PIN	1	X X	
2	M48000	SNAP RING	2	X X	
3	AH131392	KIT	1	X X	
4	COVER	1	X X	
5	H135215	HOLDER	1	X X	
6	R26906	O-RING	1	X X	
7	AN274375	PIN	2	X X	
8	SWASH PLATE	1	X X	
9	JD9076	BEARING CONE	2	X X	
	JD9133	BEARING CUP	2	X X	
10	N126600	LINK	2	X X	
11	H135211	COMPRESSION SPRING	1	X X	
12	HOUSING	1	X X	
13	AH112680	SHIM	AR	X X	SIX, .002", FOUR, .005", .010", .015" AND .025"
14	M4237T	O-RING	2	X X	
15	TRUNNION	2	X X	
16	19H2666	CAP SCREW	6	X X	7/16" X 7/8"
17	H63271	PIN	2	X X	
18	H115049	GASKET	1	X X	
19	R30903	O-RING	1	X X	
20	32246	O-RING	2	X X	
21	W23690	BACK-UP RING	2	X X	
22	AN122502	CHECK VALVE	2	X X	
23	19H2347	CAP SCREW	6	X X	7/16" X 3"
24	19H3352	SCREW	4	X X	5/16" X 1-1/4"
25	19H1899	CAP SCREW	2	X X	7/16" X 2"
26	19H3176	SCREW	6	X X	0.164" X 0.380"
27	H115052	RETAINER	2	X X	
28	AH112668	KIT	2	X X	
29	AH112675	PISTON	2	X X	(INCLUDES AN274375)
30	P48403	O-RING	2	X X	
31	M43518	O-RING	2	X X	
32	AN122518	FITTING	1	X X	
33	R51031	FITTING	1	X X	
34	AH65358	BEARING	1	X X	
35	AH112678	SHIM	1	X X	SIX, .003", .005", .010", .015", .020" AND .030"
36	R28782	O-RING	2	X X	
37	H135213	WASHER	1	X X	
38	H135214	VALVE SPOOL	1	X X	
39	N126644	ORIFICE	1	X X	
40	H135212	NEEDLE ROLLER	1	X X	
41	H135695	NEEDLE ROLLER	1	X X	
42	AT63272	FITTING	4	X X	
43	AH129278	KIT	1	X X	SHIM
..	AH164940	HYDRAULIC PUMP	1	X X	(105CC) REMANUFACTURED

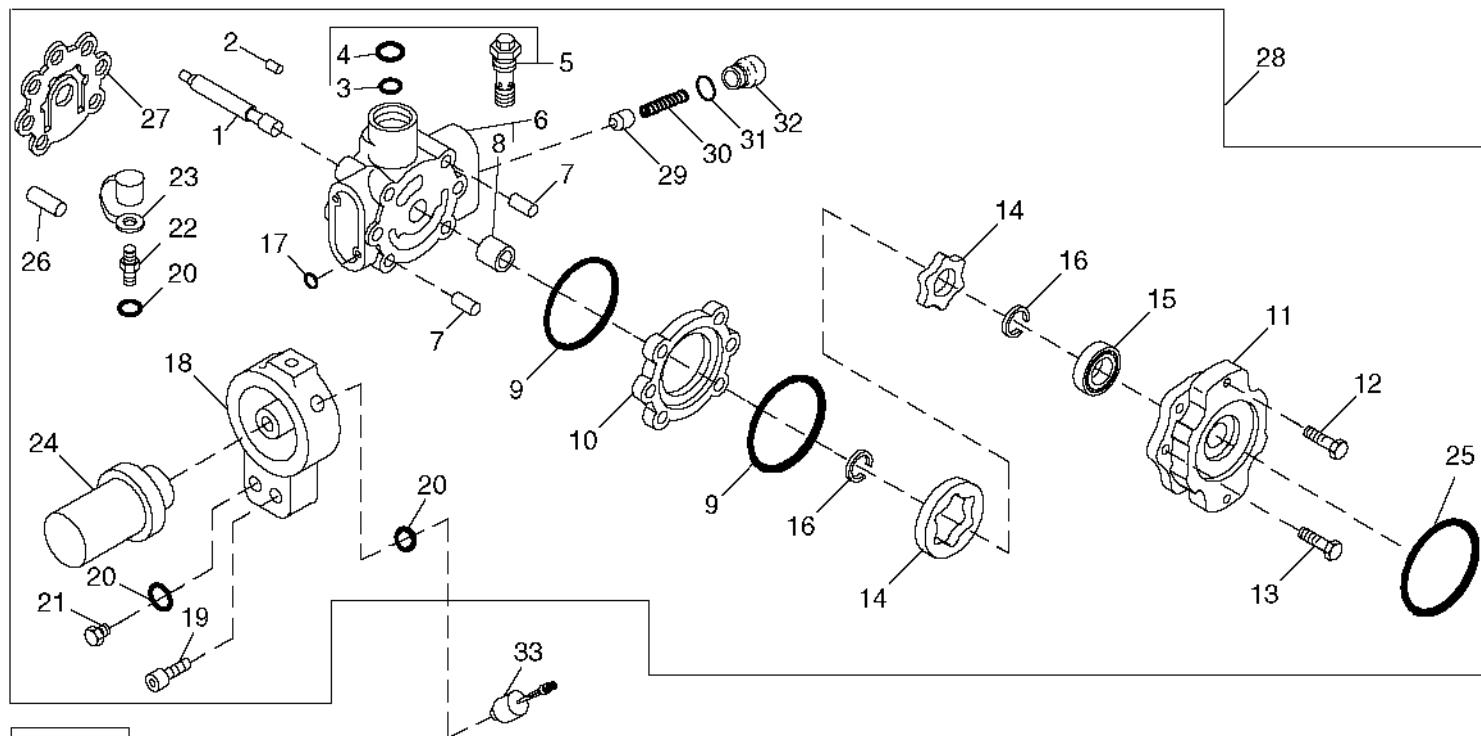
MEMORANDA

2C14

POWER TRAIN

HYDROSTATIC DRIVE CHARGE PUMP

HP8228 -UN-27JUL99



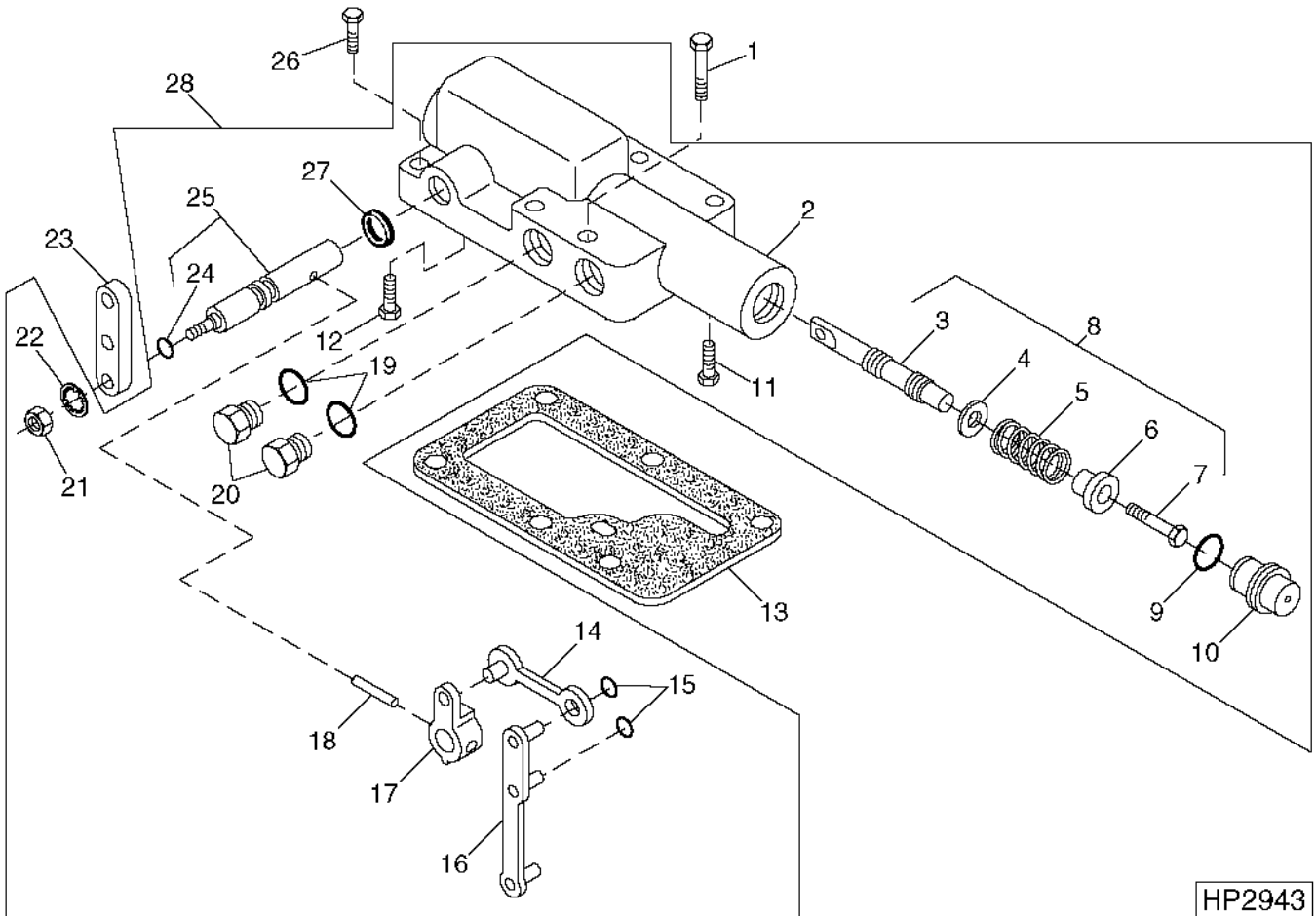
HP8228

KEY	PART NO.	PART NAME	QTY	SERIAL NO.	REMARKS
				9 9	
				6 7	
				5 5	
				0 0	
1	DRIVE SHAFT	1		X X
2	H135706	PIN	1		X X
3	H63289	O-RING	1		X X
4	U17409	O-RING	1		X X
5	AN122498	RELIEF VALVE	1		X X
6	HOUSING	1		X X
7	N126601	BUSHING	2		X X
8	NEEDLE BEARING	1		X X
9	H135570	O-RING	2		X X
10	SPACER	1		X X
11	COVER	1		X X
12	19H1875	CAP SCREW	2		X X 5/16" X 1-3/4"
13	SCREW	4		X X
14	OIL PUMP	1		X X
15	BALL BEARING	1		X X
16	SNAP RING	2		X X
17	P48347	O-RING	2		X X
18	H171116	FILTER HEAD	1		X X
19	19H3111	SCREW	2		X X 3/8" X 1.380"
20	R26448	O-RING	3		X X
21	R27218	FITTING PLUG	1		X X
22	AH125760	HYD. QUICK-CONNECT COUPLER	1		X X
23	R77175	COVER	1		X X
24	AH128449	HYDRAULIC FILTER	1		X X
25	E65288	O-RING	1		X X
26	H63271	PIN	2		X X
27	H135497	GASKET	1		X X
28	AH165120	HYDRAULIC PUMP	1		X X
29	POPPET	1		X X
30	SPRING	1		X X
31	U12547	O-RING	1		X X
32	PLUG	1		X X
33	AH128929	SWITCH	1		X X

2C15

HYDROSTATIC DRIVE DISPLACEMENT CONTROL VALVE

HP2943 -UN-13AUG99



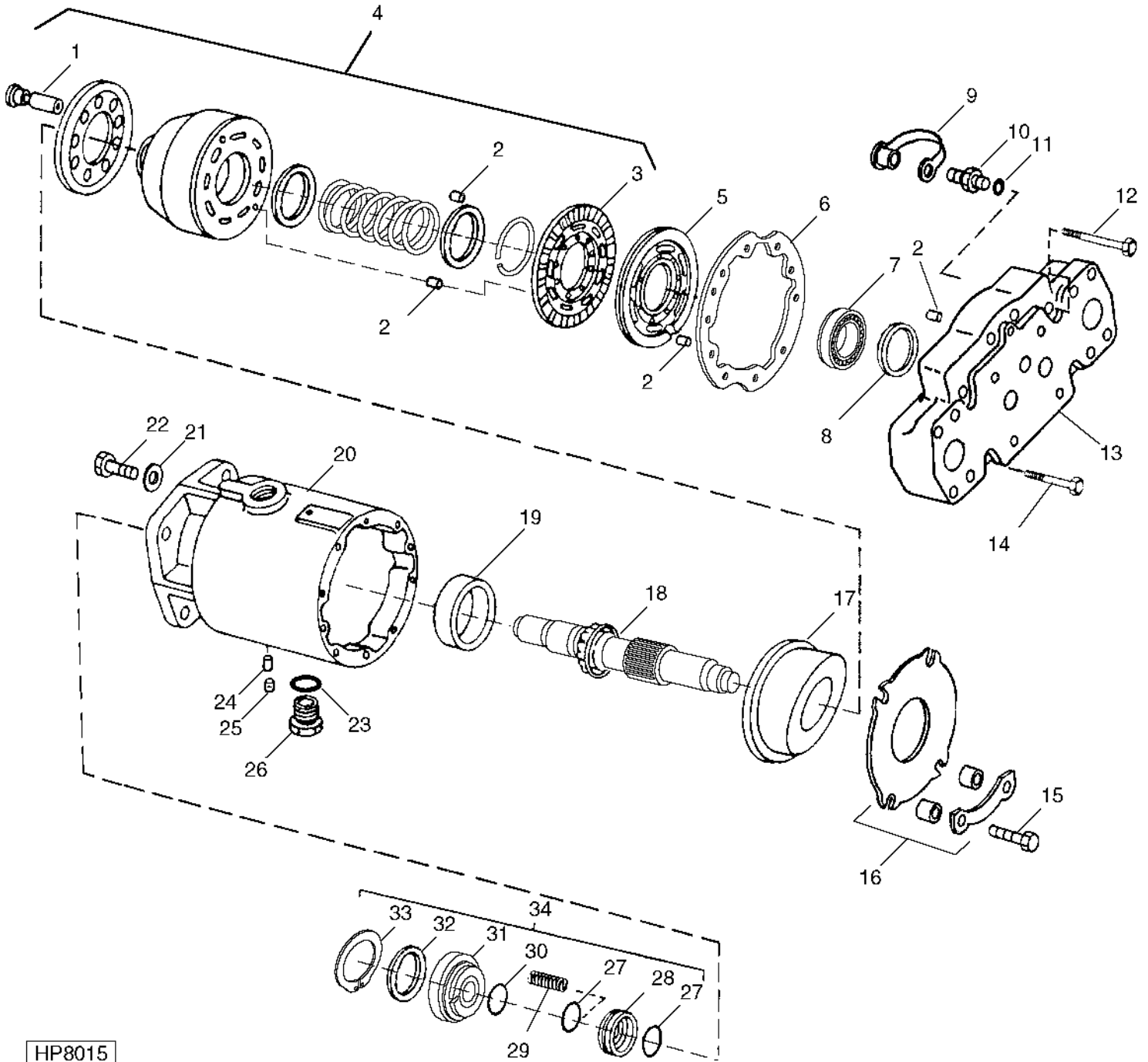
2C16

HYDROSTATIC DRIVE DISPLACEMENT CONTROL VALVE - CONTINUED

KEY	PART NO.	PART NAME	QTY	SERIAL NO.	REMARKS
				9 9	
				6 7	
				5 5	
				0 0	
1	19H1875	CAP SCREW	2	X X	5/16" X 1-3/4"
2	HOUSING	1	X X	
3	SPOOL	1	X X	
4	WASHER	1	X X	
5	SPRING	1	X X	
6	RETAINER	1	X X	
7	CAP SCREW	1	X X	
8	AH129284	KIT	1	X X	
9	R27166	O-RING	1	X X	
10	N126641	SCREW	1	X X	
11	AN122494	BOLT	1	X X	
12	AN122499	BOLT	1	X X	
13	N126586	GASKET	1	X X	
14	LINK	1	X X	
15	M48000	SNAP RING	2	X X	
16	LINK	1	X X	
17	CONNECTOR	1	X X	
18	34H311	SPRING PIN	1	X X	1/4" X 7/8"
19	R26448	O-RING	2	X X	
20	R27218	FITTING PLUG	2	X X	
21	14H785	NUT	1	X X	5/16"
22	12M7032	LOCK WASHER	1	X X	8.400 MM
23	H168988	LEVER	1	X X	
24	A3917R	O-RING	1	X X	9.246 X 1.778 MM
25	AN193084	SHAFT	1	X X	
26	19H1905	CAP SCREW	4	X X	5/16" X 1"
27	H136163	SEAL	1	X X	
28	AH131168	CONTROL VALVE	1	X X	

2C17

HYDROSTATIC DRIVE MOTOR
HP8015 -UN-03MAR99



HP8015

2C18

POWER TRAIN

HYDROSTATIC DRIVE MOTOR - CONTINUED

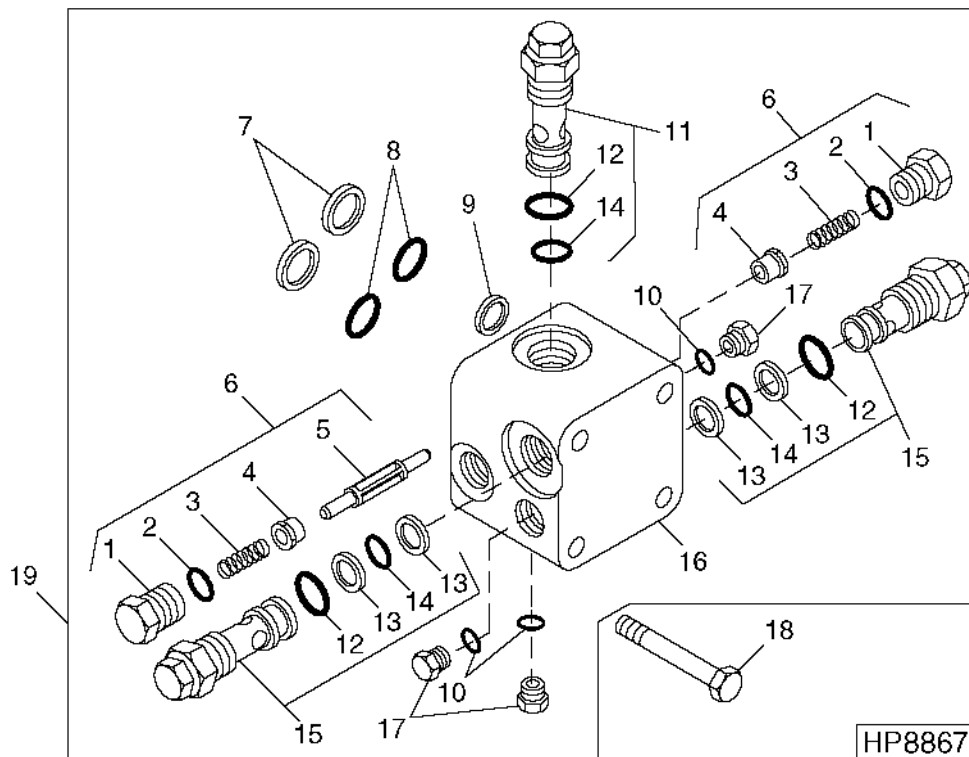
KEY	PART NO.	PART NAME	QTY	SERIAL NO.	REMARKS
				9 9	
				6 7	
				5 5	
				0 0	
1	AH131388	PISTON	1	X X	
2	H63271	PIN	5	X X	
3	H135700	PLATE	1	X X	
4	AH131387	KIT	1	X X	
5	H138901	PLATE	1	X X	
6	H135702	GASKET	1	X X	
7	AH65358	BEARING	1	X X	
8	AH112678	SHIM	1	X X	
9	R77175	COVER	2	X X	
10	AH125760	HYD. QUICK-CONNECT COUPLER	2	X X	
11	R26448	O-RING	2	X X	
12	19H2347	CAP SCREW	6	X X	7/16" X 3"
13	COVER	1	X X	
14	19H1899	CAP SCREW	2	X X	7/16" X 2"
15	19H3352	SCREW	4	X X	5/16" X 1-1/4"
16	AH131392	KIT	1	X X	
17	SWASH PLATE	1	X X	
18	AH133662	SHAFT	1	X X	
19	JD7297	BEARING CUP	1	X X	
20	HOUSING	1	X X	
21	H135571	SEALING WASHER	2	X X	
22	19H3192	SCREW	2	X X	5/16" X 3"
23	U12547	O-RING	1	X X	
24	H64813	DOWEL PIN	1	X X	
25	15H558	PIPE PLUG	1	X X	1/8"
26	R27175	DRAIN PLUG	1	X X	
27	N196034	O-RING	2	X X	
28	SEAL	1	X X	
29	N191174	SPRING	6	X X	
30	U15415	O-RING	1	X X	
31	SEAL	1	X X	
32	T19832	O-RING	1	X X	
33	N126612	SNAP RING	1	X X	
34	AN193085	SEAL KIT	1	X X	
..	AH131390	HYDRAULIC MOTOR	1	X X	(INCLUDES AH141811) 105CC REMANUFACTURED

MEMORANDA

2C19

HYDROSTATIC MOTOR VALVE

HP8867 -UN-27JUL99



HP8867

KEY	PART NO.	PART NAME	QTY	SERIAL NO.	REMARKS
				9 9	
				6 7	
				5 5	
				0 0	
1	R27175	DRAIN PLUG	2	X X	
2	R26906	O-RING	2	X X	
3	SPRING	2	X X	
4	N126654	VALVE	2	X X	SHUTTLE
5	N128541	SPOOL	1	X X	SHUTTLE
6	AH131308	KIT	1	X X	
7	U40729	BACK-UP RING	2	X X	
8	N130510	O-RING	2	X X	
9	AN272356	SEAL KIT	1	X X	
10	R28782	O-RING	3	X X	
11	AN122497	RELIEF VALVE	1	X X	LOW PRESSURE
12	U17409	O-RING	3	X X	
13	H63288	RING	4	X X	
14	H63289	O-RING	3	X X	
15	AH131174	RELIEF VALVE	2	X X	HIGH PRESSURE
16	CASE	1	X X	
17	R51031	FITTING	3	X X	
18	19H2228	CAP SCREW	4	X X	3/8" X 4"
19	AH141811	VALVE	1	X X	

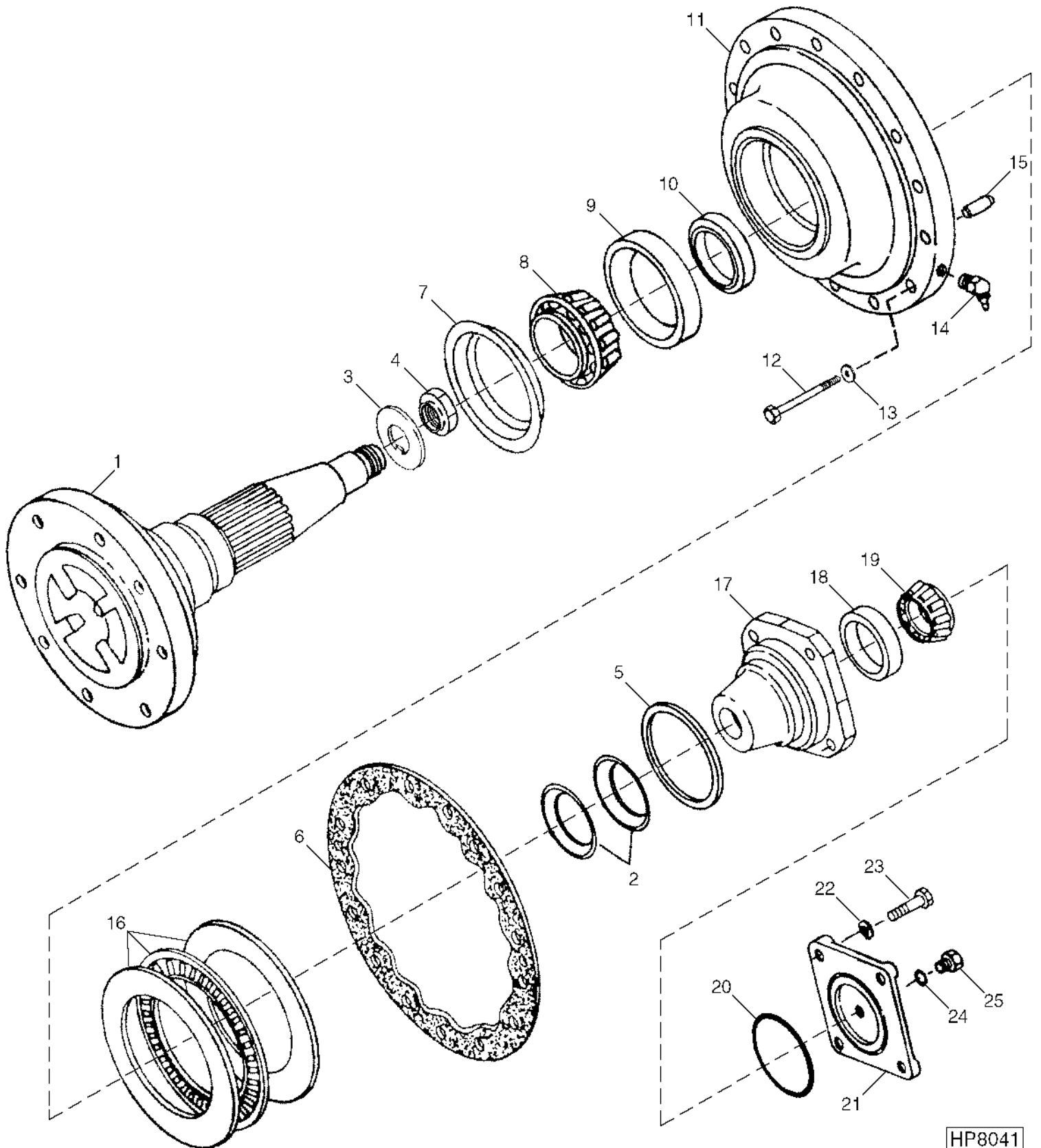
2C20

POWER TRAIN

SHAFT, COVERS, QUILL, BEARINGS AND SEALS

CAM LOBE MOTOR

HP8041 -UN-20NOV98

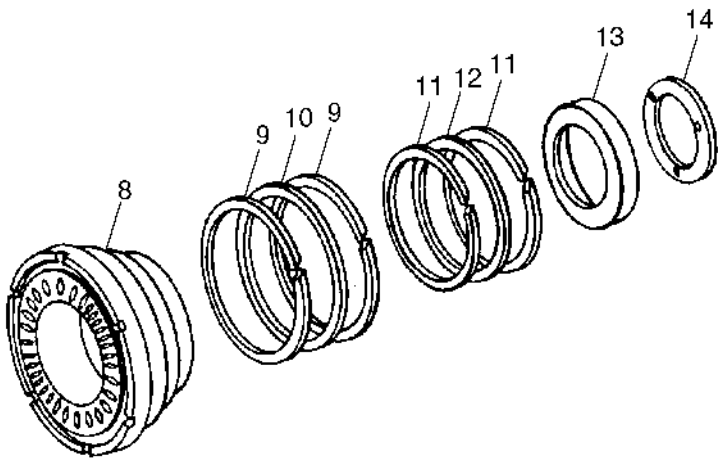


HP8041

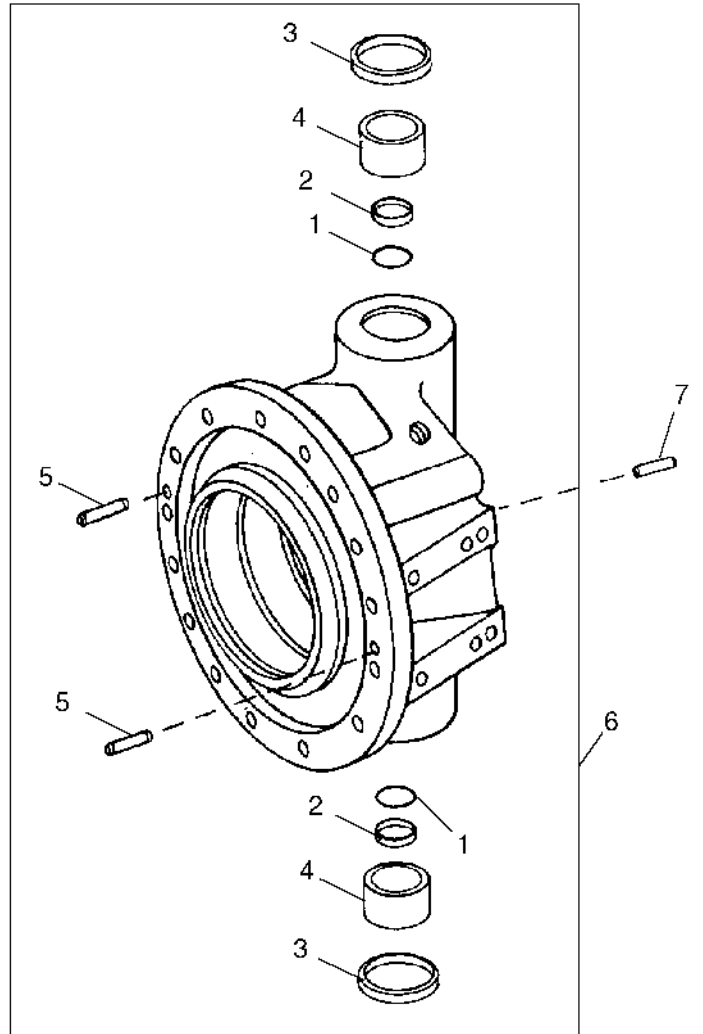
**SHAFT, COVERS, QUILL, BEARINGS AND SEALS - CONTINUED
CAM LOBE MOTOR**

KEY	PART NO.	PART NAME	QTY	SERIAL NO.	REMARKS
				9 9	
				6 7	
				5 5	
				0 0	
1	R111995	SPINDLE	1	X X	
	RE49243	SEAL	1	X X	
2	R85588	WASHER	2	X X	
3	R93180	WASHER	1	X X	
4	R92160	NUT	1	X X	
5	R39876	PACKING	1	X X	
6	R93142	GASKET	1	X X	
7	R57269	OIL CUP	1	X X	
8	JD10462	BEARING CONE	1	X X	
9	JD7448	BEARING CUP	1	X X	
10	RE32824	SEAL	1	X X	
11	R88829	COVER	1	X X	
12	R89610	CAP SCREW	15	X X	1/2" X 6"
13	R32214	WASHER	15	X X	
14	JD7847	LUBRICATION FITTING	1	X X	
15	R26650	DOWEL PIN	2	X X	
16	RE22642	THRUST BEARING	1	X X	
17	R92104	BEARING HOUSING W/O BEARING	1	X X	
18	JD9109	BEARING CUP	1	X X	
19	JD9043	BEARING CONE	1	X X	
20	E55758	O-RING	1	X X	
21	R100727	COVER	1	X X	
22	R69536	WASHER	6	X X	
23	19H3065	CAP SCREW	6	X X	3/8" X 2"
24	R28782	O-RING	1	X X	
25	R51031	FITTING	1	X X	
..	RE67484	MOTOR	1	X X	(1200CC) R.H.
..	RE67485	MOTOR	1	X X	(1200CC) L.H.
..	RE67486	MOTOR	1	X X	(1600CC) R.H.
..	RE67487	MOTOR	1	X X	(1600CC) L.H.

INNER COVER, MANIFOLD AND PACKING
HP8043 -UN-29JUL99



HP8043



INNER COVER, MANIFOLD AND PACKING - CONTINUED

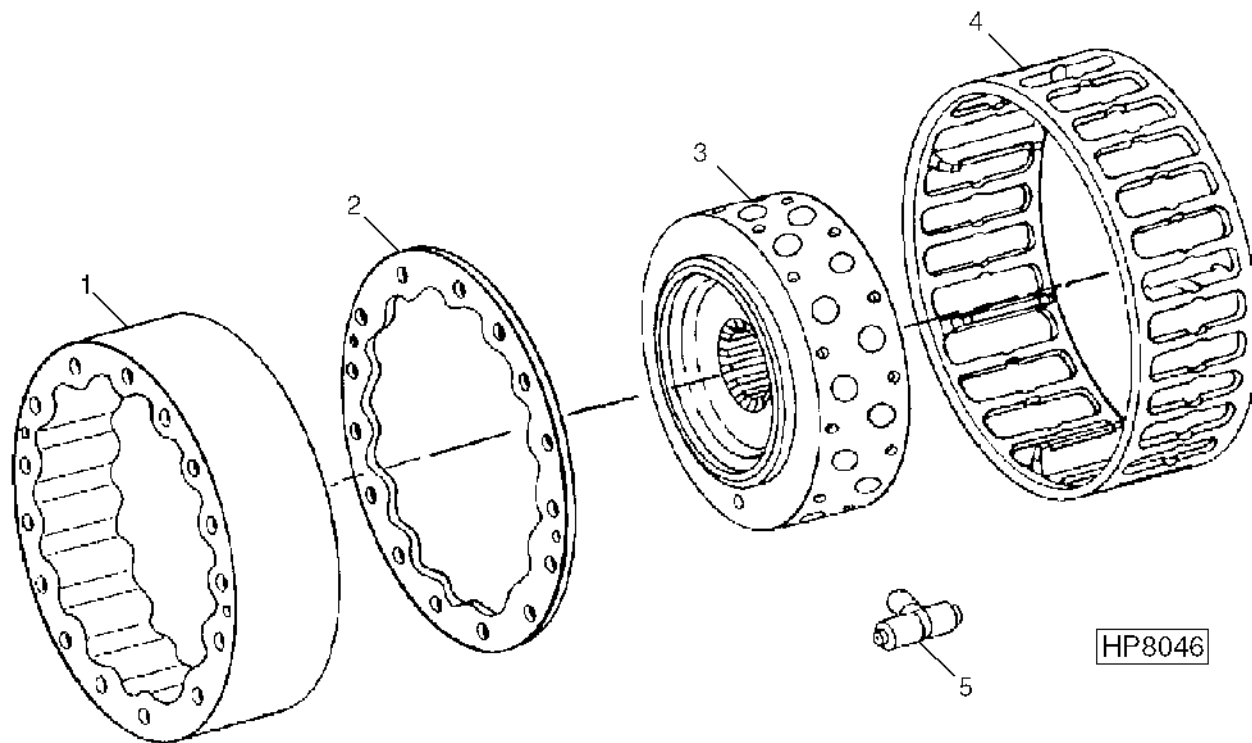
KEY	PART NO.	PART NAME	QTY	SERIAL NO.	REMARKS
				9 9	
				6 7	
				5 5	
				0 0	
1	U11647	O-RING	2	X X	
2	R73102	WASHER	2	X X	
3	AR86539	SEAL	2	X X	
4	R68102	BUSHING	2	X X	
5	R26650	DOWEL PIN	2	X X	
6	RE39131	COVER	1	X X	(MARKED R93105)
7	R71711	DOWEL PIN	1	X X	
8	R99377	MANIFOLD	1	X X	
9	R74690	BACK-UP RING	2	X X	
10	R74696	WASHER	1	X X	
11	R74689	BACK-UP RING	2	X X	
12	R74697	WASHER	1	X X	
13	R74693	PACKING	1	X X	ALSO FURNISH R74694
14	R74694	BACK-UP RING	1	X X	ALSO FURNISH R74693
..	RE67484	MOTOR	1	X X	(1200CC) R.H.
..	RE67485	MOTOR	1	X X	(1200CC) L.H.
..	RE67486	MOTOR	1	X X	(1600CC) R.H.
..	RE67487	MOTOR	1	X X	(1600CC) L.H.

MEMORANDA

2C24

POWER TRAIN

CARRIER, PISTONS AND CAM
HP8046 -UN-20NOV98

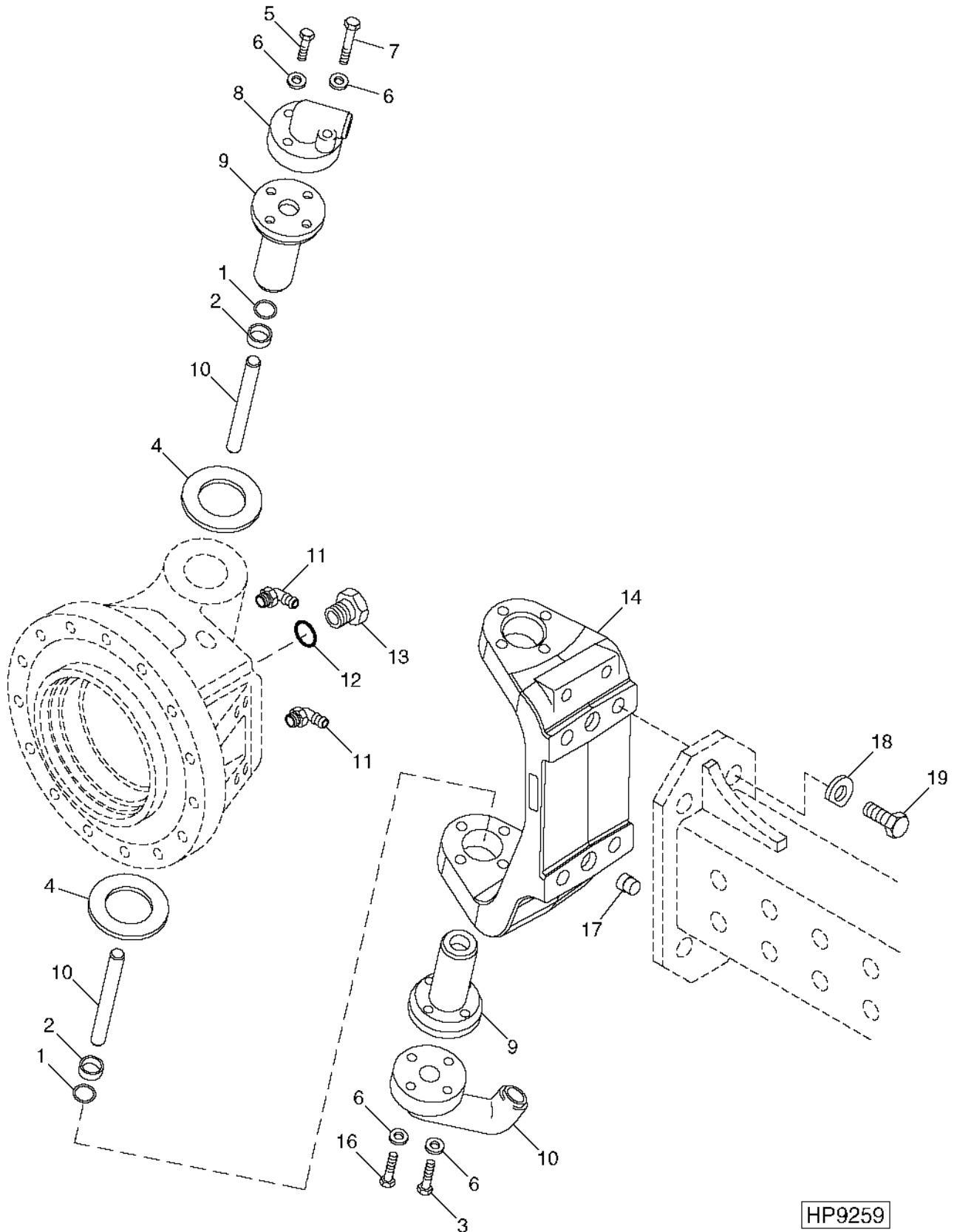


KEY	PART NO.	PART NAME	QTY	SERIAL NO.	REMARKS
				9 9	
				6 7	
				5 5	
				0 0	
1	R92148	CAM	1	X X	
2	R93142	GASKET	1	X X	
3	R88959	HYD. MOTOR PISTON CARRIER	1	X X (A)	
	R88960	PLANET PINION CARRIER	1	X X (B)	
4	R92979	GUIDE	1	X X (A)	
	R89012	GUIDE	1	X X (B)	
5	RE27837	HYD. MOTOR PISTON CARRIER	18	X X (A)	
	RE27837	HYD. MOTOR PISTON CARRIER	24	X X (B)	

(A) 1200CC
(B) 1600CC

2D1

YOKE, PIVOTS AND CAPS
HP9259 -UN-12NOV99



HP9259

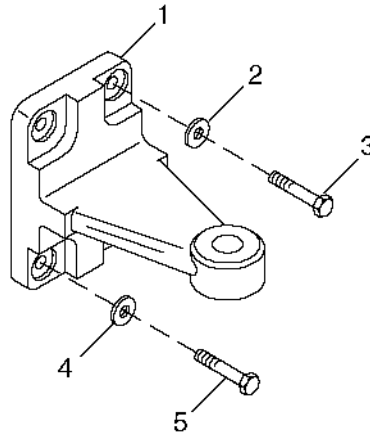
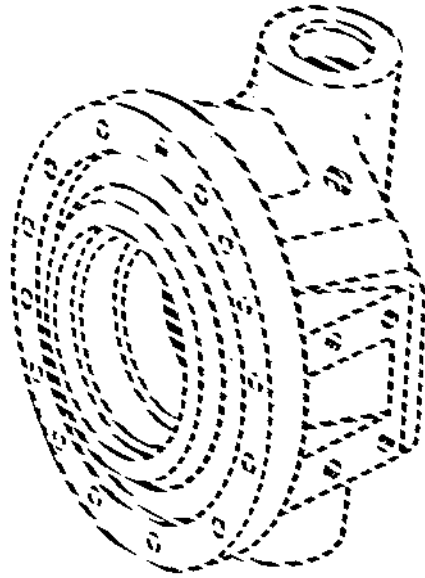
YOKE, PIVOTS AND CAPS - CONTINUED

KEY	PART NO.	PART NAME	QTY	SERIAL NO.	REMARKS
				9 9	
				6 7	
				5 5	
				0 0	
1	U11647	O-RING	2	X X	
2	R73102	WASHER	2	X X	
3	19H3031	CAP SCREW	2	X X	3/8" X 2-1/2"
4	R60239	THRUST WASHER	2	X X	
5	19H3267	CAP SCREW	2	X X	3/8" X 1-5/8"
6	R53668	THRUST WASHER	8	X X	
7	19H2855	CAP SCREW	2	X X	3/8" X 3-1/4"
8	R85374	CAP	1	X X	
9	R85376	PIN	2	X X	
10	R85378	TUBE	2	X X	
11	JD7799	LUBRICATION FITTING	3	X X	65° X 0.840" LONG
12	R26375	O-RING	1	X X	
13	R39112	FITTING	1	X X	
14	R89015	YOKE	1	X X	
15	R85373	CAP	1	X X	
16	19H3267	CAP SCREW	2	X X	3/8" X 1-5/8"
17	H75423	PIN	4	X X	
18	H166431	WASHER	8	X X	(SUB H174025)
	H174025	SPACER	8	X X	
19	19M8002	CAP SCREW	8	X X	M20 X 55

2D3

STEERING ARM

HP8620 -UN-08JUN99



HP8620

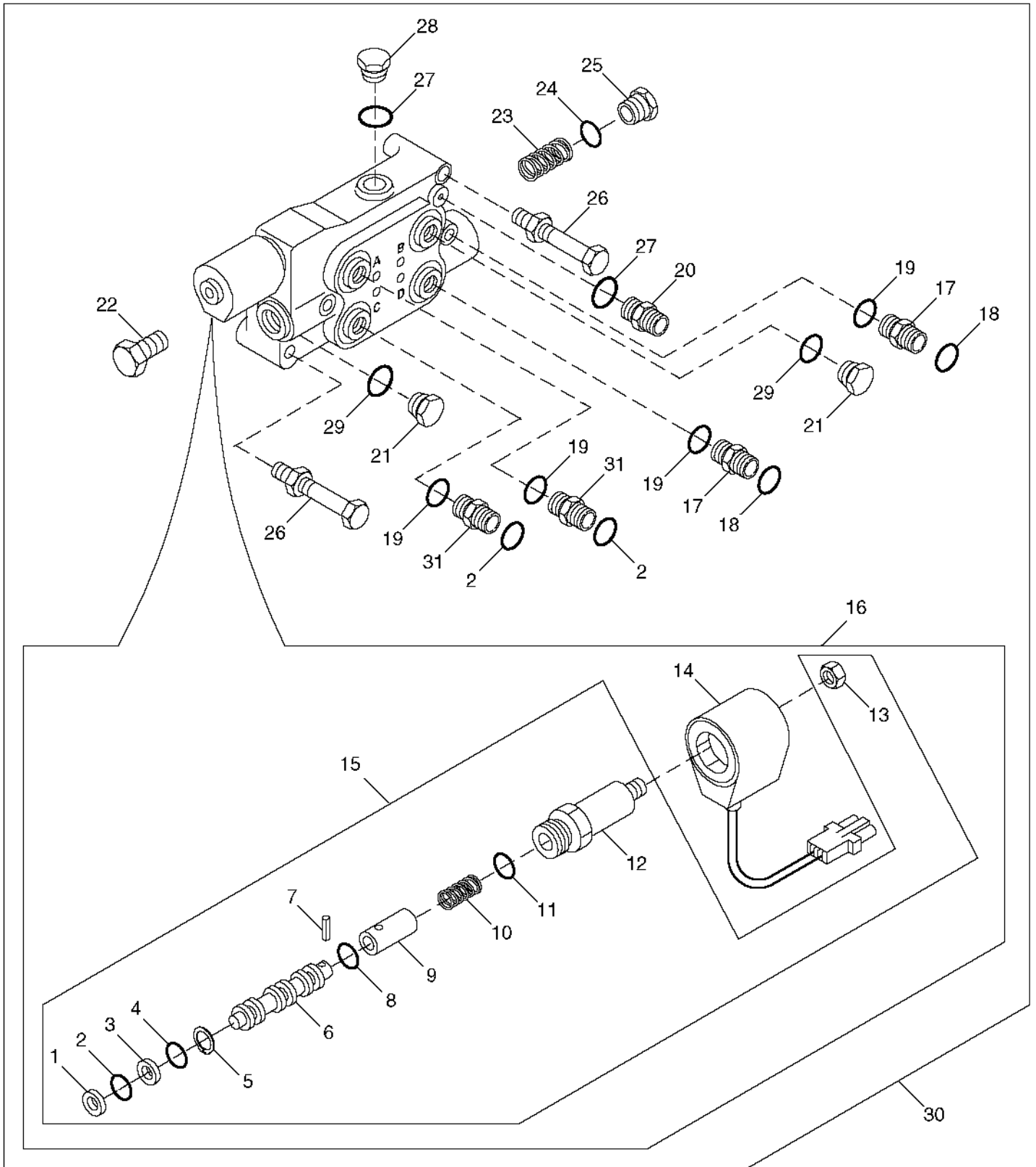
9 9
6 7
5 5
0 0

KEY	PART NO.	PART NAME	QTY	SERIAL NO.	REMARKS
1	R170889	STEERING ARM	1	X X	(SUB FOR R129599)
2	12H294	LOCK WASHER	2	X X	5/8"
3	19H2710	CAP SCREW	2	X X	5/8" X 1-3/4"
4	R32214	WASHER	2	X X	
5	19H2898	CAP SCREW	2	X X	1/2" X 1-1/4"

MEMORANDA

2D4

CONTROL VALVE
HP8031 -UN-12FEB99



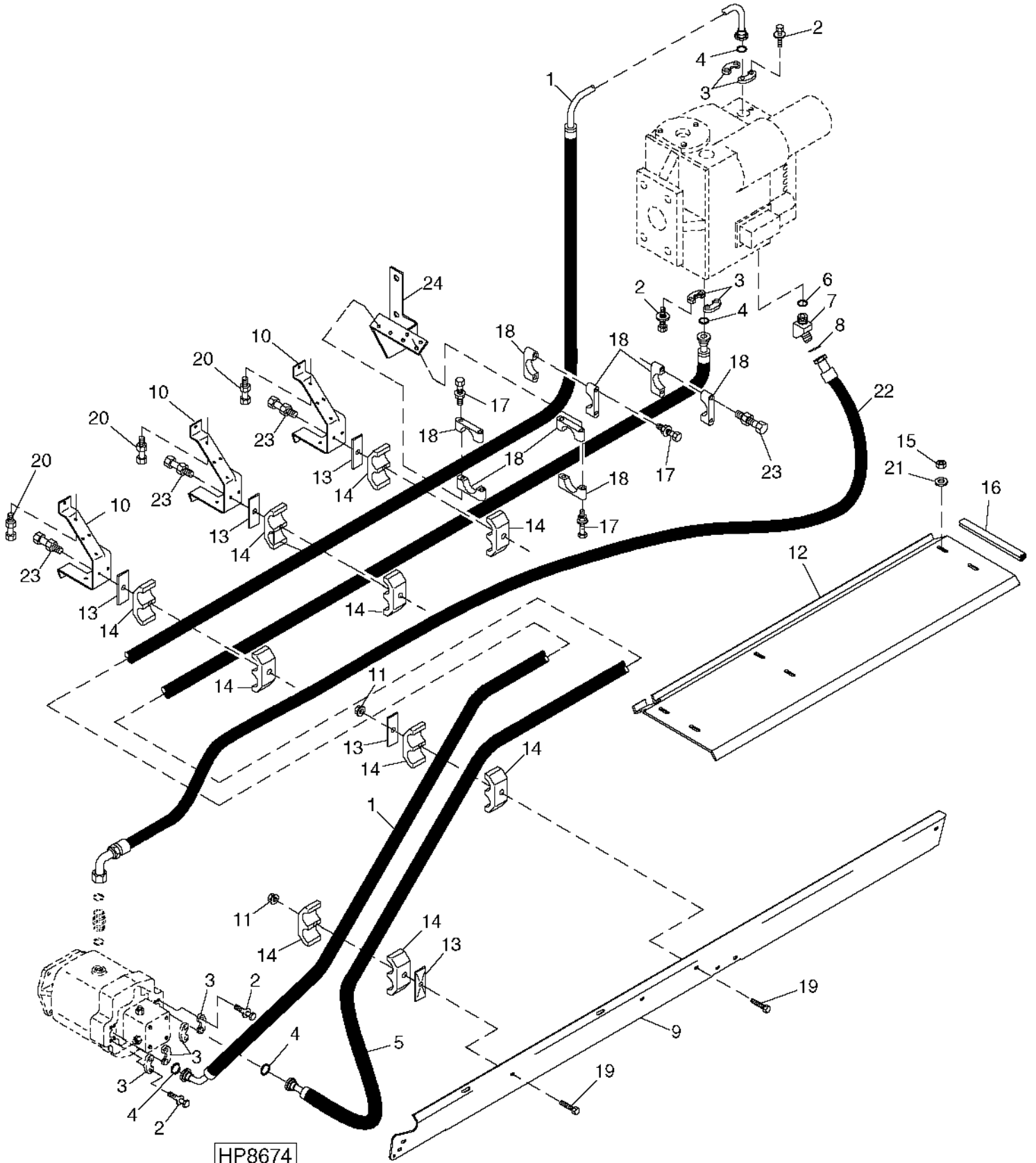
HP8031

CONTROL VALVE - CONTINUED

KEY	PART NO.	PART NAME	QTY	SERIAL NO.	REMARKS
				9 9	
				6 7	
				5 5	
				0 0	
1	R42926	BACK-UP RING	1	X X	
2	T77857	O-RING	3	X X	
3	R45187	BACK-UP RING	1	X X	
4	R45638	O-RING	1	X X	
5	R46701	SNAP RING	1	X X	
6	VALVE SPOOL	1	X X	
7	34H227	SPRING PIN	1	X X	3/32" X 1/2"
8	N31772	O-RING	1	X X	
9	PLUNGER	1	X X	
10	R64698	SPRING	1	X X	
11	U12547	O-RING	1	X X	
12	GUIDE	1	X X	
13	M63707	LOCK NUT	1	X X	
14	AH128654	ELECTRICAL COIL	1	X X	
	R78053	PIN CONTACT CONNECTOR BODY	1	X X	(PKG OF 3)
	R78059	ELECTRICAL PLUG	1	X X	(PKG OF 40)
	R78061	PIN CONTACT	1	X X	(PKG OF 40)
15	AH130949	SOLENOID VALVE	1	X X	
16	AH128655	SOLENOID VALVE	1	X X	
17	38H1329	ADAPTER	2	X X	PORTS B AND D
18	T77932	O-RING	4	X X	
19	U12547	O-RING	5	X X	
20	38H1168	ADAPTER	1	X X	
21	R51031	FITTING	2	X X	
22	AU40993	FITTING	1	X X	
23	R45182	SPRING	1	X X	
24	R31674	O-RING	1	X X	
25	AH84695	FITTING	1	X X	
26	19M7803	SCREW	3	X X	M8 X 70
	14M7298	FLANGE NUT	3	X X	M8
27	R26448	O-RING	2	X X	
28	R27218	FITTING PLUG	1	X X	
29	R28782	O-RING	2	X X	
30	AH128672	VALVE	1	X X	CONTROL WITH SOLENOID
31	38H1175	ADAPTER	2	X X	PORTS A AND C

2D6

**HYDROSTATIC DRIVE OIL LINES AND HOSES, LOWER
(TWO WHEEL DRIVE)**
HP8674 -UN-15JUL99



HP8674

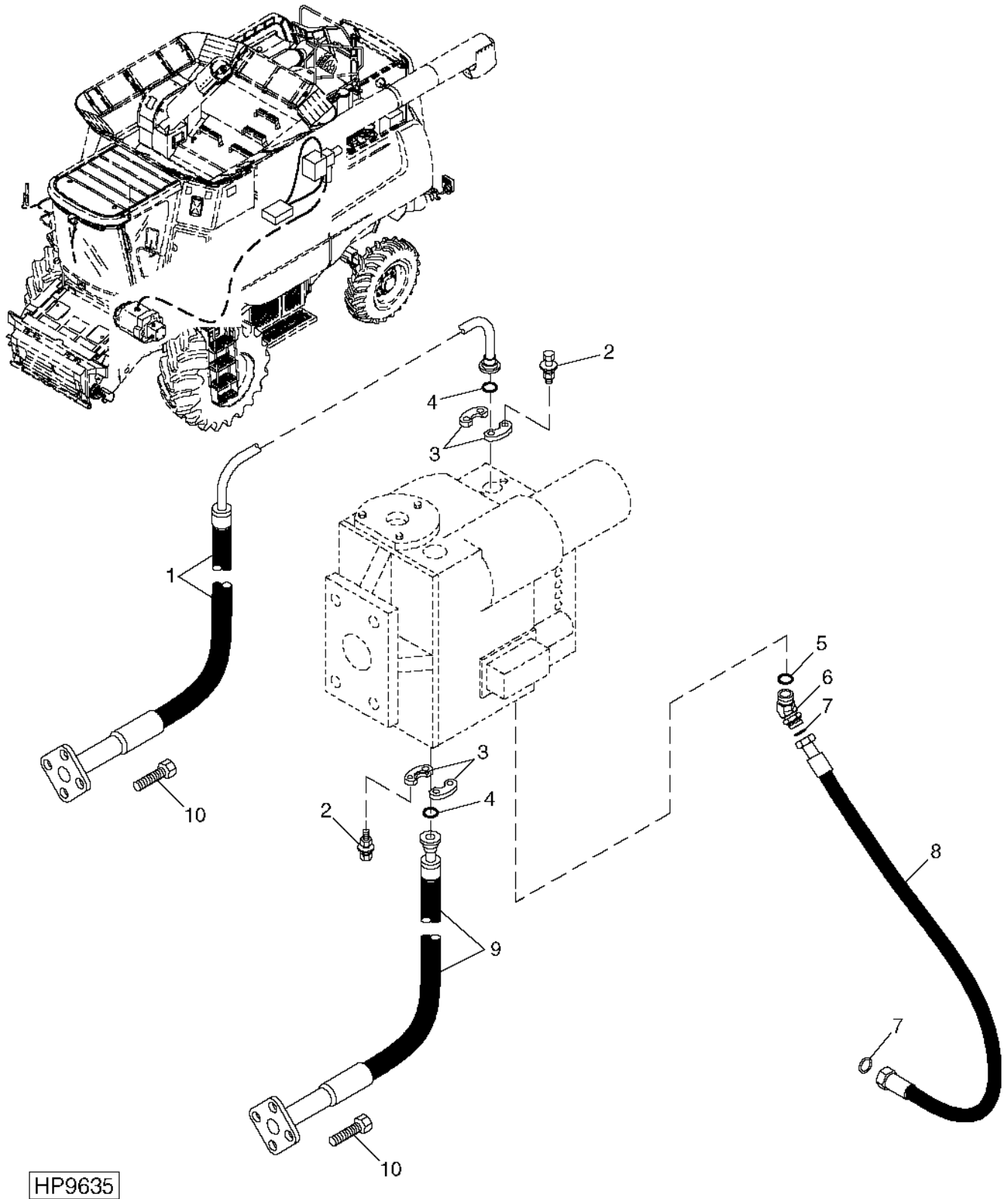
**HYDROSTATIC DRIVE OIL LINES AND HOSES, LOWER - CONTINUED
(TWO WHEEL DRIVE)**

KEY	PART NO.	PART NAME	QTY	SERIAL NO.	REMARKS
					9 9
					6 7
					5 5
					0 0
1	AH149615	HYDRAULIC HOSE	1	X X	1" X 5 900 MM X 1", (REVERSE PRESSURE)
2	19H1740	CAP SCREW	16	X X	7/16" X 1-3/4"
	12H293	LOCK WASHER	16	X X	7/16"
3	H122182	EXTERNAL HALF COUPLER	8	X X	
4	T78313	O-RING	4	X X	
5	AH149614	HYDRAULIC HOSE	1	X X	1-7/16" X 5 400 MM X 1-7/16", (FORWARD PRESSURE)
6	U12547	O-RING	1	X X	
7	38H1048	ELBOW FITTING	1	X X	
8	T77858	O-RING	1	X X	
9	H166913	CHANNEL	1	X X	
10	H166750	BRACKET	3	X X	
11	14M7298	FLANGE NUT	2	X X	M8
12	H171819	SHIELD	1	X X	
13	H114901	PLATE	5	X X	
14	H150222	HOSE CLAMP	10	X X	
15	N10217	LOCK NUT	6	X X	
16	AH122244	ISOLATOR	1	X X	
17	19M8039	SCREW	6	X X	M8 X 80
	14M7298	FLANGE NUT	6	X X	M8
18	H150223	HOSE CLAMP	8	X X	
19	19M7803	SCREW	2	X X	M8 X 70
20	19M7784	SCREW	3	X X	M10 X 20
	14M7296	FLANGE NUT	3	X X	M10
21	24H1291	WASHER	6	X X	21/64" X 1-15/32" X 7/64"
22	AH165796	HYDRAULIC HOSE	1	X X	
23	19M7913	SCREW	5	X X	M8 X 90
	14M7298	FLANGE NUT	5	X X	M8
24	H168505	BRACKET	1	X X	

2D8

HYDROSTATIC DRIVE HOSES, UPPER (WITH POWER REAR WHEELS)

HP9635 -UN-27MAR00



HP9635

2D9

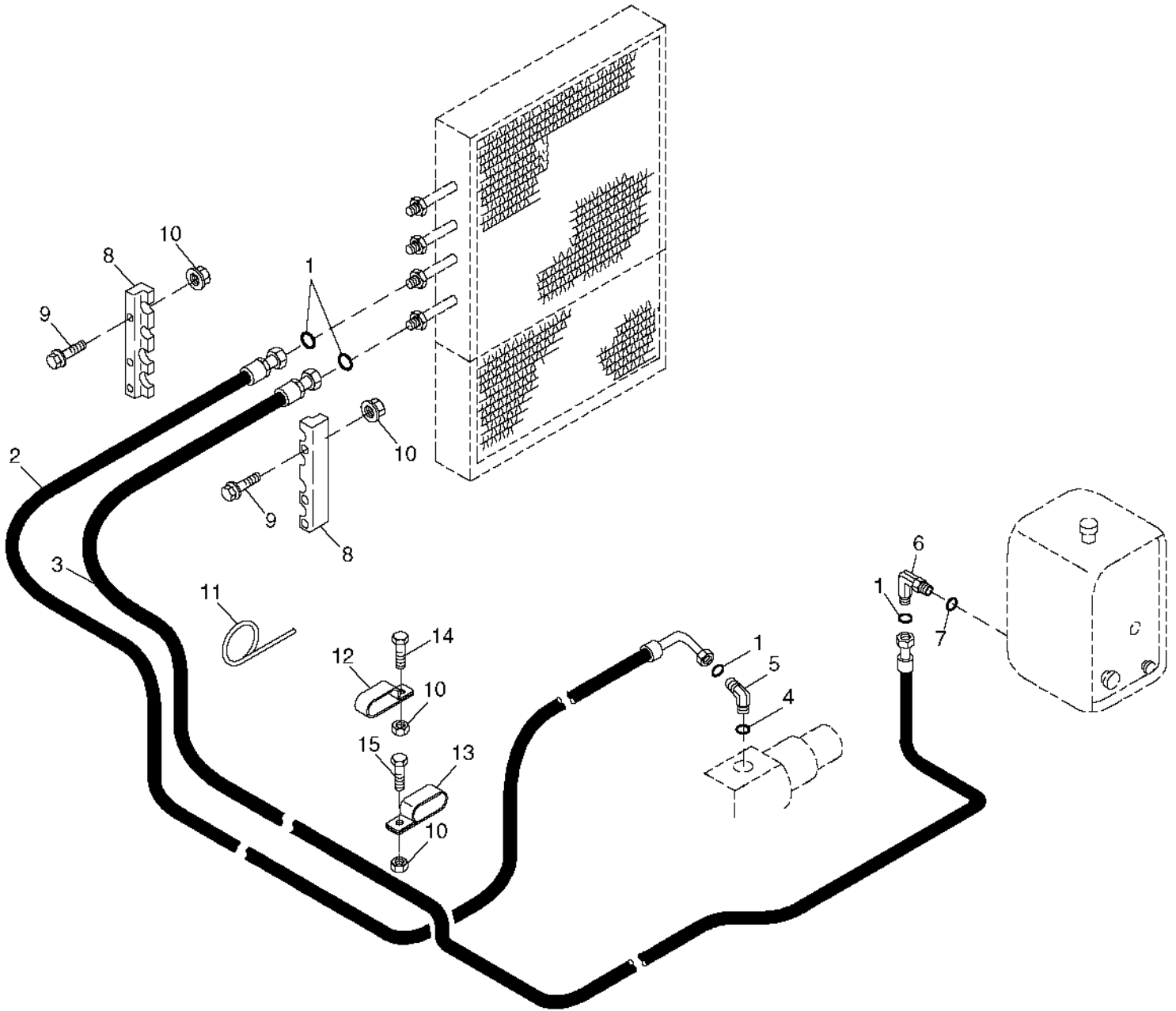
**HYDROSTATIC DRIVE HOSES, UPPER (WITH POWER REAR WHEELS) - CONTINUED
(FOUR WHEEL DRIVE)**

KEY	PART NO.	PART NAME	QTY	SERIAL NO.	REMARKS
					9 9
					6 7
					5 5
					0 0
1	AH144192	HYDRAULIC HOSE	1	X X	1" X 975 MM X 1", REVERSE PRESSURE (FOR POWER REAR WHEELS)
2	19H1740	CAP SCREW	8	X X	7/16" X 1-3/4"
	12H293	LOCK WASHER	8	X X	7/16"
3	H122182	EXTERNAL HALF COUPLER	4	X X	
4	T78313	O-RING	2	X X	
5	U12547	O-RING	1	X X	
6	38H1048	ELBOW FITTING	1	X X	
7	T77858	O-RING	2	X X	
8	AH165796	HYDRAULIC HOSE	1	X X	(CASE DRAIN)
9	AH141543	HYDRAULIC HOSE	1	X X	1-7/16" X 815 MM X 1-7/16" (PRESSURE)(FOR POWER REAR WHEELS)
10	19M8162	CAP SCREW	8	X X	M10 X 40
..	BH81676	COMPLETE GOODS/SHIP. BUNDLE	1	X X	4WD CONVERSION - HYDRO HOSES

2D10

HYDROSTATIC OIL COOLER LINES AND HOSES

HP8683 -UN-28JUN99



HP8683

2D11

POWER TRAIN

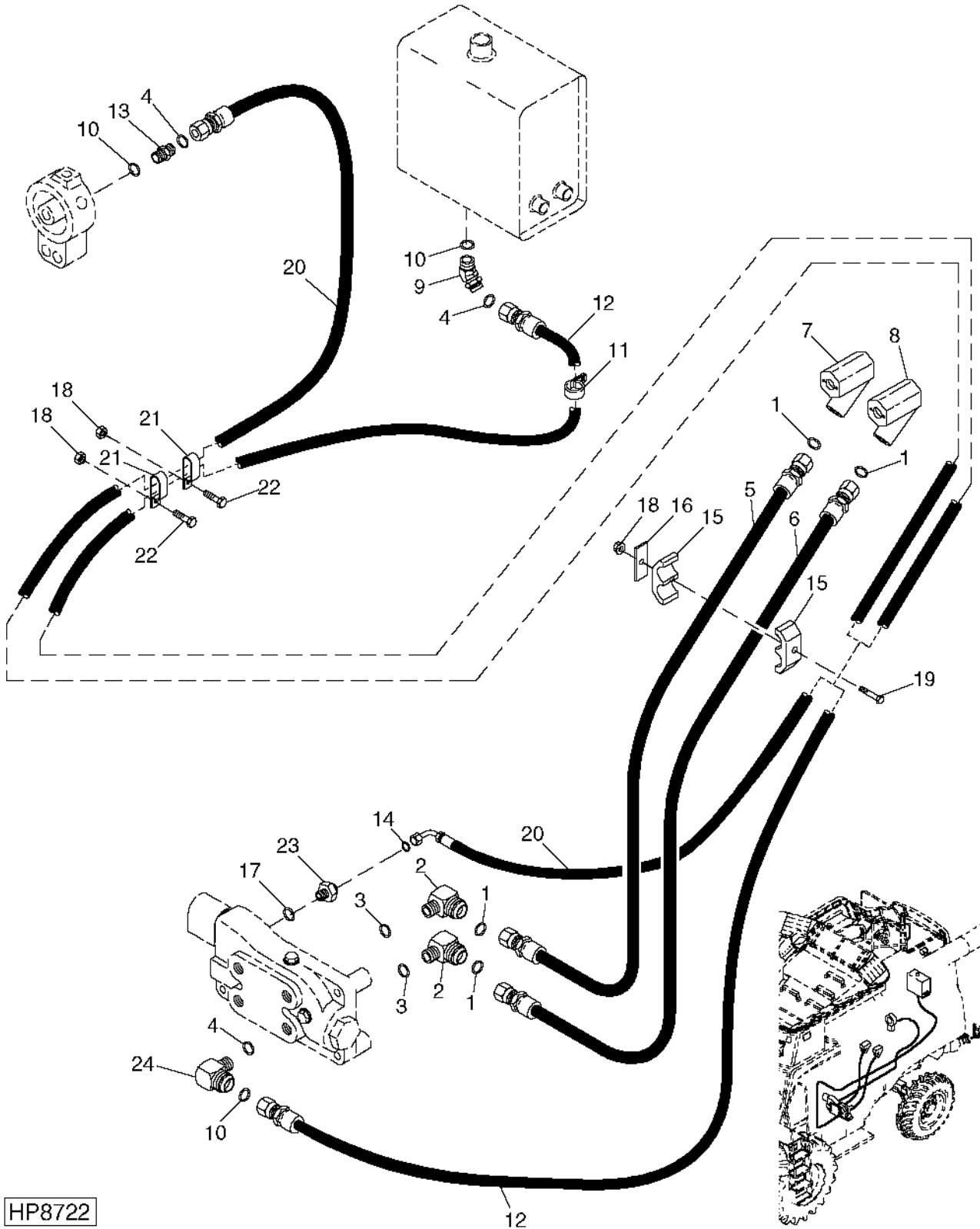
HYDROSTATIC OIL COOLER LINES AND HOSES

KEY	PART NO.	PART NAME	QTY	SERIAL NO.	9 9 6 7 5 5 0 0	REMARKS
1	T77858	O-RING	4		X X	
2	AH156746	HYDRAULIC HOSE	1		X X	
3	AH159948	HYDRAULIC HOSE	1		X X	
4	U12547	O-RING	1		X X	
5	38H1163	ADAPTER	1		X X	
6	38H1052	ELBOW FITTING	1		X X	
7	R29936	O-RING	1		X X	
8	H151585	CLAMP	2		X X	
9	19M8318	SCREW	6		X X	M8 X 45
10	14M7298	FLANGE NUT	8		X X	M8
11	H155777	SUPPORT	1		X X	
12	AH80328	CLIP	1		X X	
13	H168854	CLAMP	1		X X	
14	19M7868	SCREW	2		X X	M8 X 30
15	19M7866	SCREW	2		X X	M8 X 20

2D12

4-WHEEL DRIVE HYDRAULIC LINES AND HOSES, L.H. SIDE

HP8722 -UN-29JUL99



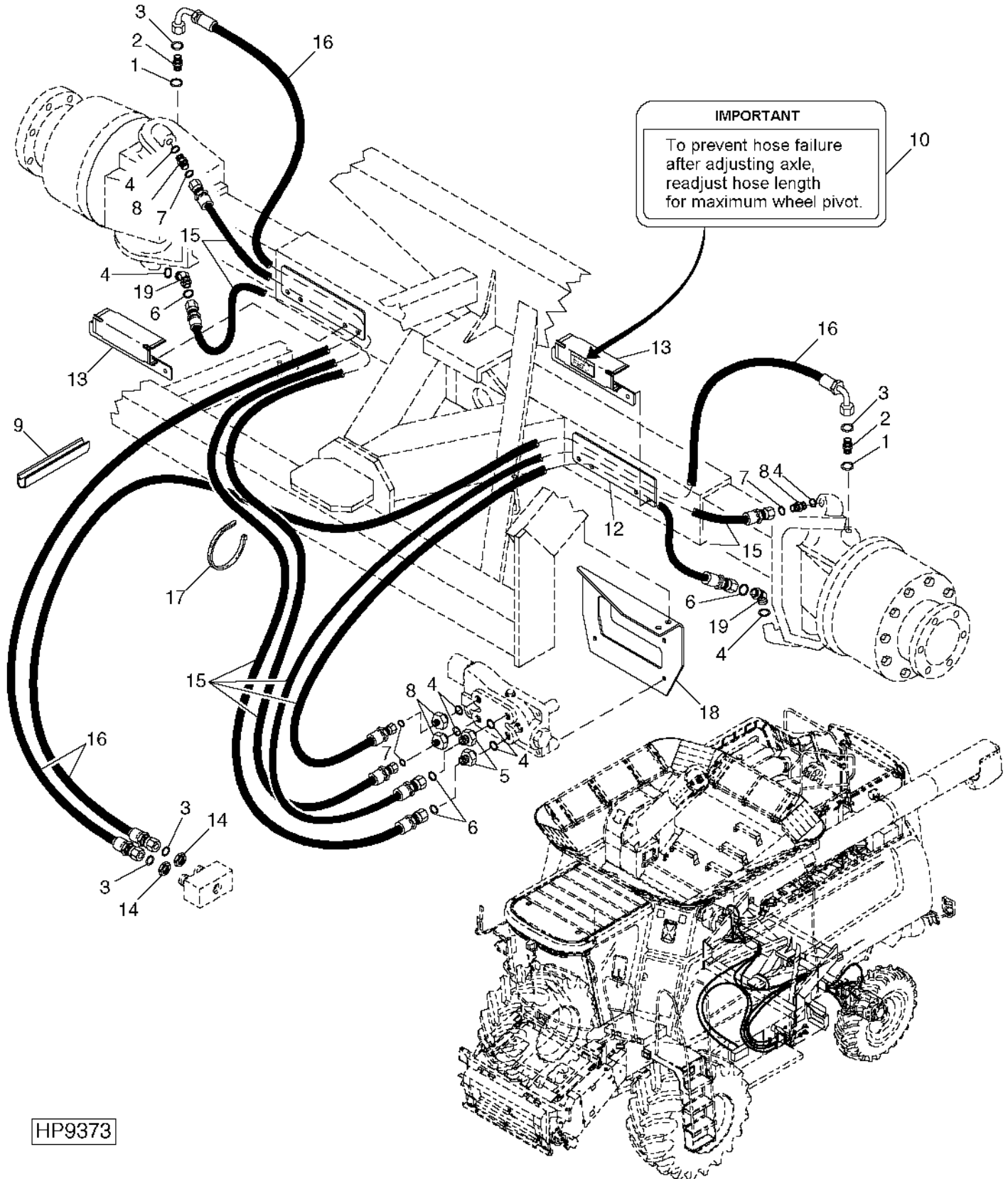
HP8722

4-WHEEL DRIVE HYDRAULIC LINES AND HOSES, L.H. SIDE - CONTINUED

KEY	PART NO.	PART NAME	QTY	SERIAL NO.	REMARKS
				9 9	
				6 7	
				5 5	
				0 0	
1	T77858	O-RING	4	X X	
2	38H1007	ELBOW FITTING	2	X X	
3	U12547	O-RING	2	X X	
4	T77613	O-RING	3	X X	
5	AH161975	HYDRAULIC HOSE	1	X X	1-3/16" X 1 500 MM X 1-3/16"
6	AH161974	HYDRAULIC HOSE	1	X X	1-3/16" X 1 385 MM X 1-3/16"
7	AH133942	MANIFOLD	1	X X	30 GPM, REV PRESS.
8	AH133941	MANIFOLD	1	X X	42 GPM, FWD PRESS.
9	38H1004	ELBOW FITTING	1	X X	
10	R26448	O-RING	3	X X	
11	H75541	CLAMP	1	X X	
12	AH165798	HYDRAULIC HOSE	1	X X	(RETURN)
13	38H1160	ADAPTER	1	X X	
14	T77814	O-RING	1	X X	
15	H114898	CLAMP	2	X X	
16	H114901	PLATE	1	X X	
17	R28782	O-RING	1	X X	
18	14M7298	FLANGE NUT	3	X X	M8
19	19M8039	SCREW	1	X X	M8 X 80
20	AH165797	HYDRAULIC HOSE	1	X X	
21	R35668	CLAMP	2	X X	
22	19M7866	SCREW	2	X X	M8 X 20
23	38H1159	ADAPTER	1	X X	
24	38H1045	ELBOW FITTING	1	X X	

4-WHEEL DRIVE LINES AND HOSES (FROM FLOW CONTROL VALVE TO CAM LOBE MOTORS)

HP9373 -UN-02DEC99



2D15

POWER TRAIN

**4-WHEEL DRIVE LINES AND HOSES - CONTINUED
(FROM FLOW CONTROL VALVE TO CAM LOBE MOTORS)**

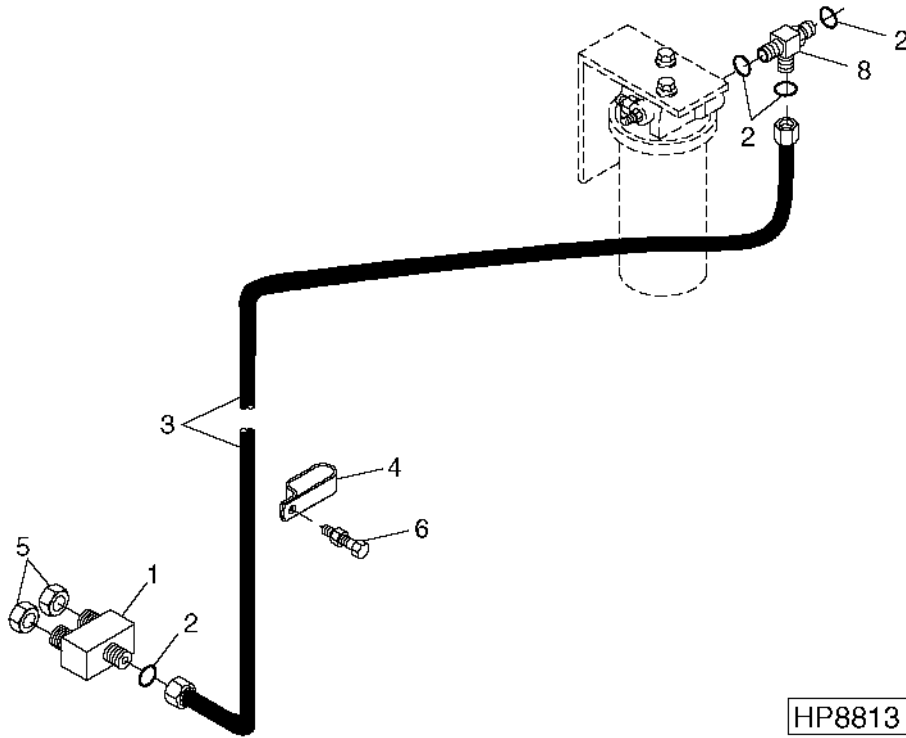
KEY	PART NO.	PART NAME	QTY	SERIAL NO.	REMARKS
				9 9	
				6 7	
				5 5	
				0 0	
1	R26375	O-RING	2	X X	
2	38H1178	ADAPTER	2	X X	
3	T77858	O-RING	4	X X	
4	U12547	O-RING	4	X X	
5	38H1329	ADAPTER	2	X X	
6	T77932	O-RING	6	X X	
7	T77857	O-RING	2	X X	
8	38H1175	ADAPTER	2	X X	
9	AH161882	INSULATOR	3	X X	
10	H170211	SIGN	2	X X	
11	H121472	BOLT	4	X X	
	14M7300	FLANGE NUT	4	X X	M20
12	H154755	SHIELD	2	X X	INNER, PRW
13	H154756	SHIELD	2	X X	OUTER, PRW
14	T78707	NUT	2	X X	
15	AH164755	HYDRAULIC HOSE	2	X X	
16	AH164484	HYDRAULIC HOSE	2	X X	
17	H113196	TIE BAND	1	X X	
18	H161206	BRACKET	1	X X	
19	38H1577	ADAPTER	2	X X	45 DEGREE

2D16

POWER TRAIN

4-WHEEL DRIVE CASE DRAIN HYDRAULIC LINES

HP8813 -UN-27JUL99



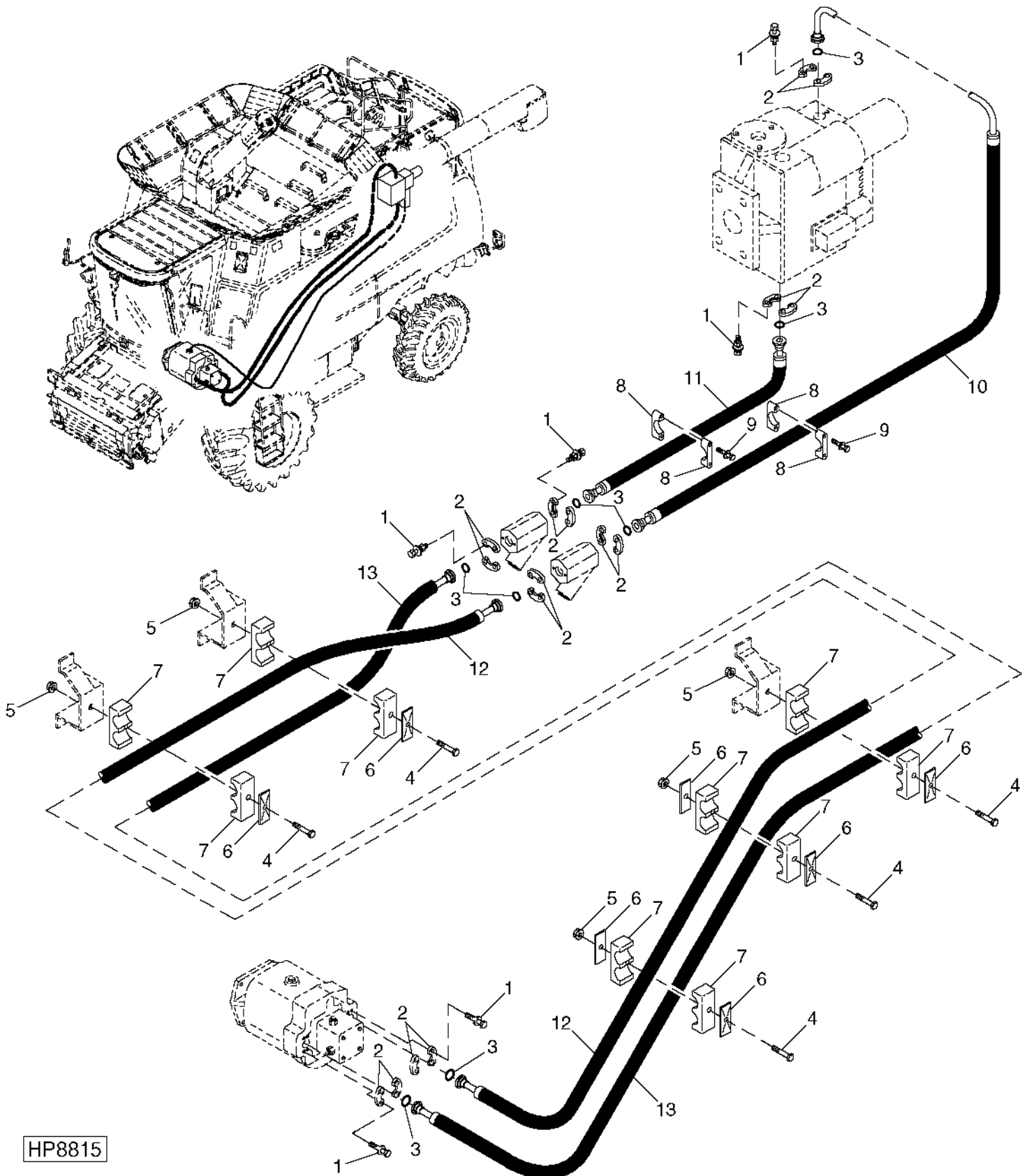
HP8813

KEY	PART NO.	PART NAME	QTY	SERIAL NO.	REMARKS
				9 9	
				6 7	
				5 5	
				0 0	
1	AH128692	MANIFOLD	1	X X	(CASE DRAIN)
2	T77858	O-RING	3	X X	
3	AH153932	HYDRAULIC HOSE	1	X X	(CASE DRAIN RETURN)
4	R50454	CLAMP	1	X X	
5	T78707	NUT	2	X X	
6	19M7866	SCREW	1	X X	M8 X 20
	14M7298	FLANGE NUT	1	X X	M8
7	R29936	O-RING	1	X X	
8	AH132031	FITTING	1	X X	

MEMORANDA

TWO - WHEEL DRIVE LINES AND HOSES

HP8815 -UN-29JUL99



2D18

POWER TRAIN

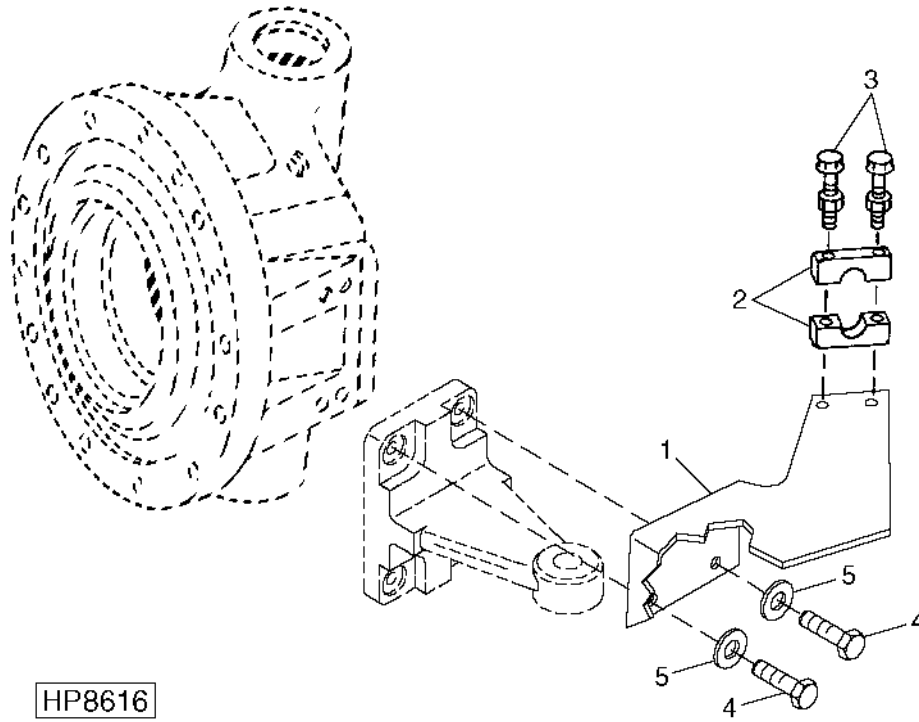
TWO - WHEEL DRIVE LINES AND HOSES - CONTINUED

KEY	PART NO.	PART NAME	QTY	SERIAL NO.	REMARKS
				9 9	
				6 7	
				5 5	
				0 0	
1	19M8162	CAP SCREW	AR	X X	M10 X 40
2	H122182	EXTERNAL HALF COUPLER	AR	X X	
3	T78313	O-RING	4	X X	
4	19M7803	SCREW	5	X X	M8 X 70
5	14M7298	FLANGE NUT	5	X X	M8
6	H114901	PLATE	5	X X	
7	H150222	HOSE CLAMP	10	X X	
8	H150223	HOSE CLAMP	4	X X	
9	19M8039	SCREW	4	X X	M8 X 80
	19M7913	SCREW	4	X X	M8 X 90
10	AH144192	HYDRAULIC HOSE	1	X X	REVERSE
11	AH141543	HYDRAULIC HOSE	1	X X	FORWARD
12	AH166348	HYDRAULIC HOSE	1	X X	REVERSE
13	AH148193	HYDRAULIC HOSE	1	X X	FORWARD

2D19

MUD SHIELDS-POWERED REAR WHEELS

HP8616 -UN-08JUN99



HP8616

9 9
6 7
5 5
0 0

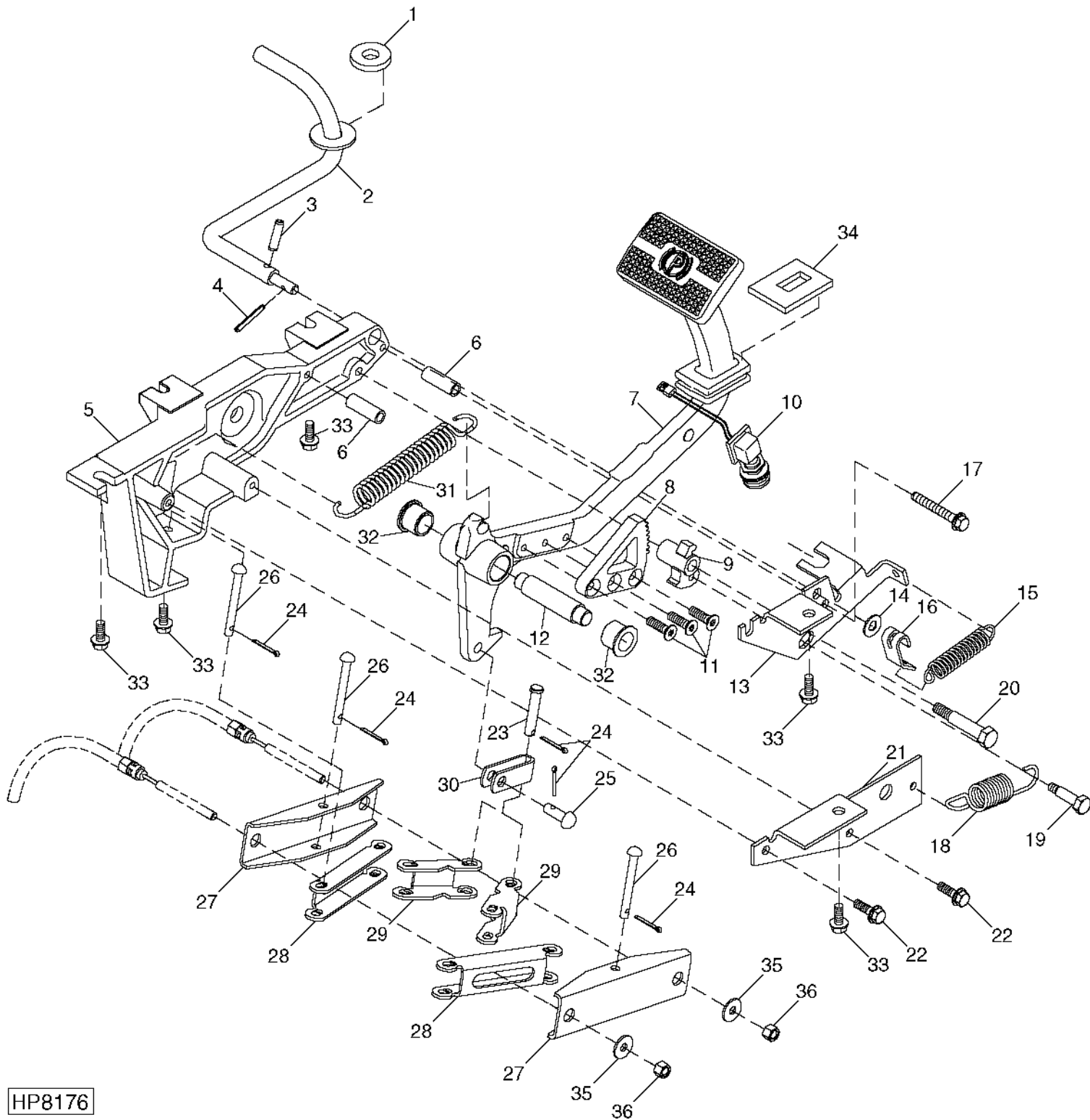
KEY	PART NO.	PART NAME	QTY	SERIAL NO.	REMARKS
1	H146088	SHIELD	1	X X	L.H.
	H146089	SHIELD	1	X X	R.H.
2	H142721	CLAMP	2	X X	
3	19M7801	SCREW	2	X X	M8 X 60
	14M7298	FLANGE NUT	2	X X	M8
4	19H1734	CAP SCREW	2	X X	5/8" X 2"
5	N186900	SPACER	2	X X	

MEMORANDA

2D21

PARKING BRAKE PEDAL AND SEAL

HP8176 -UN-08JUL99



HP8176

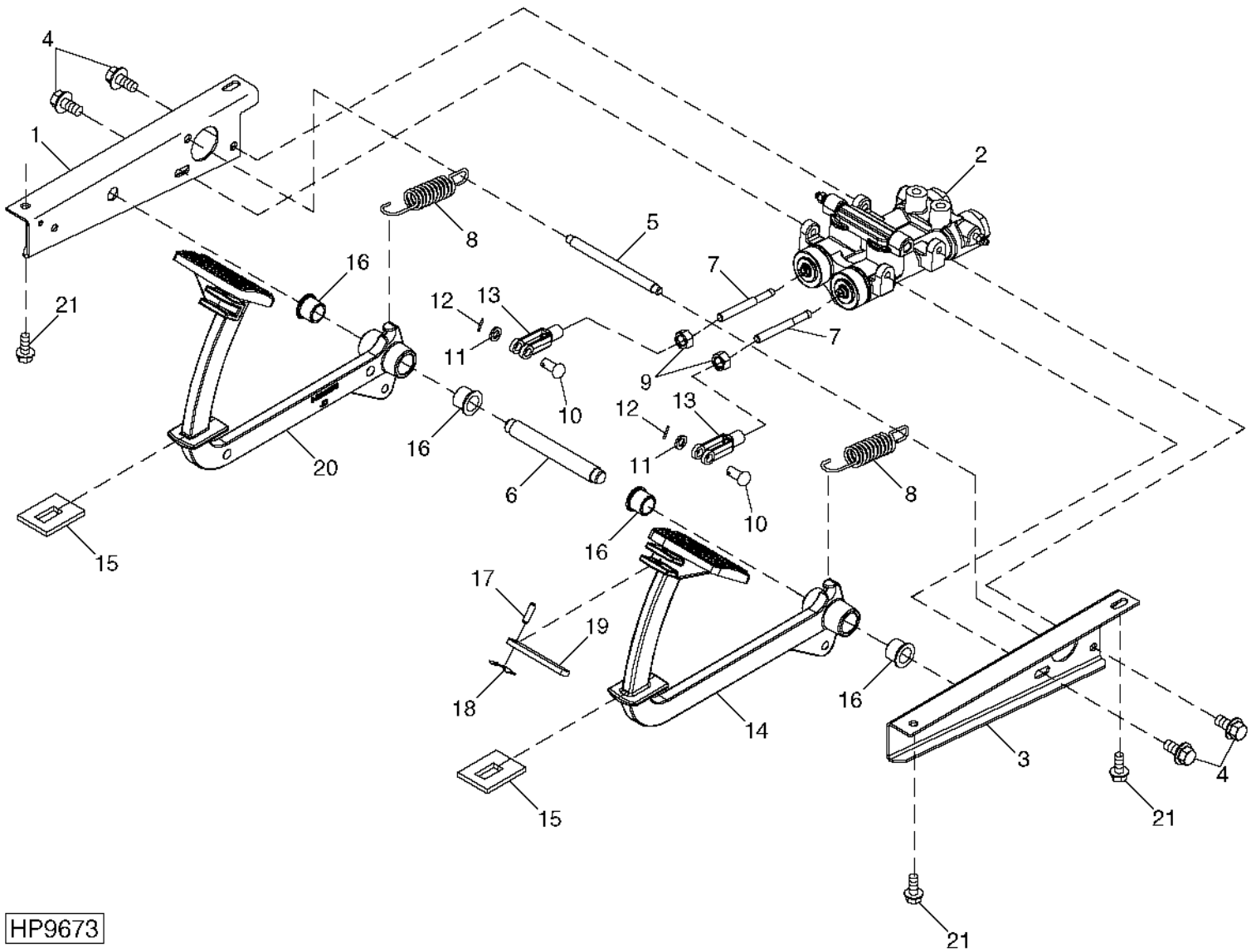
PARKING BRAKE PEDAL AND SEAL - CONTINUED

KEY	PART NO.	PART NAME	QTY	SERIAL NO.	REMARKS
				9 9	
				6 7	
				5 5	
				0 0	
1	H145847	ISOLATOR	1	X X	
2	AH146492	ARM	1	X X	
3	34M7124	SPRING PIN	1	X X	8 X 30 MM
4	34M7116	SPRING PIN	1	X X	3 X 24 MM
5	H140595	FRAME	1	X X	
6	28H1633	BUSHING	2	X X	0.364" X 0.540" X 1-9/16"
7	H152164	PEDAL	1	X X	
8	H140746	RATCHET	1	X X	
9	H140747	PAWL	1	X X	
10	AH140605	SWITCH	1	X X	
11	H140692	SCREW	3	X X	
12	H140708	PIN	1	X X	
13	H146327	PLATE	1	X X	
14	H110232	WASHER	1	X X	
15	R60730	SPRING	1	X X	
16	H141069	HOOK	1	X X	
17	19M7801	SCREW	2	X X	M8 X 60
18	H124258	SPRING	1	X X	
19	H140715	BOLT	1	X X	
20	H140712	BOLT	1	X X	
21	H140691	PLATE	1	X X	
22	19M7867	SCREW	2	X X	M8 X 25
23	M43649	PIN	1	X X	
24	11M7059	COTTER PIN	5	X X	3.200 X 20 MM
25	RV702A	PIN	1	X X	
26	H109716	PIN	3	X X	
27	H140694	BALANCER	2	X X	
28	H140695	LINK	2	X X	
29	H140696	LINK	2	X X	
30	H140713	CLEVIS	1	X X	
31	H104075	SPRING	1	X X	
32	H105005	BUSHING	2	X X	
33	19M7866	SCREW	5	X X	M8 X 20
34	H141422	SEAL	1	X X	
35	24M7207	WASHER	2	X X	8.400 X 24 X 2 MM
36	E64256	LOCK NUT	2	X X	

2D23

BRAKE PEDALS AND MASTER CYLINDERS

HP9673 -UN-03APR00

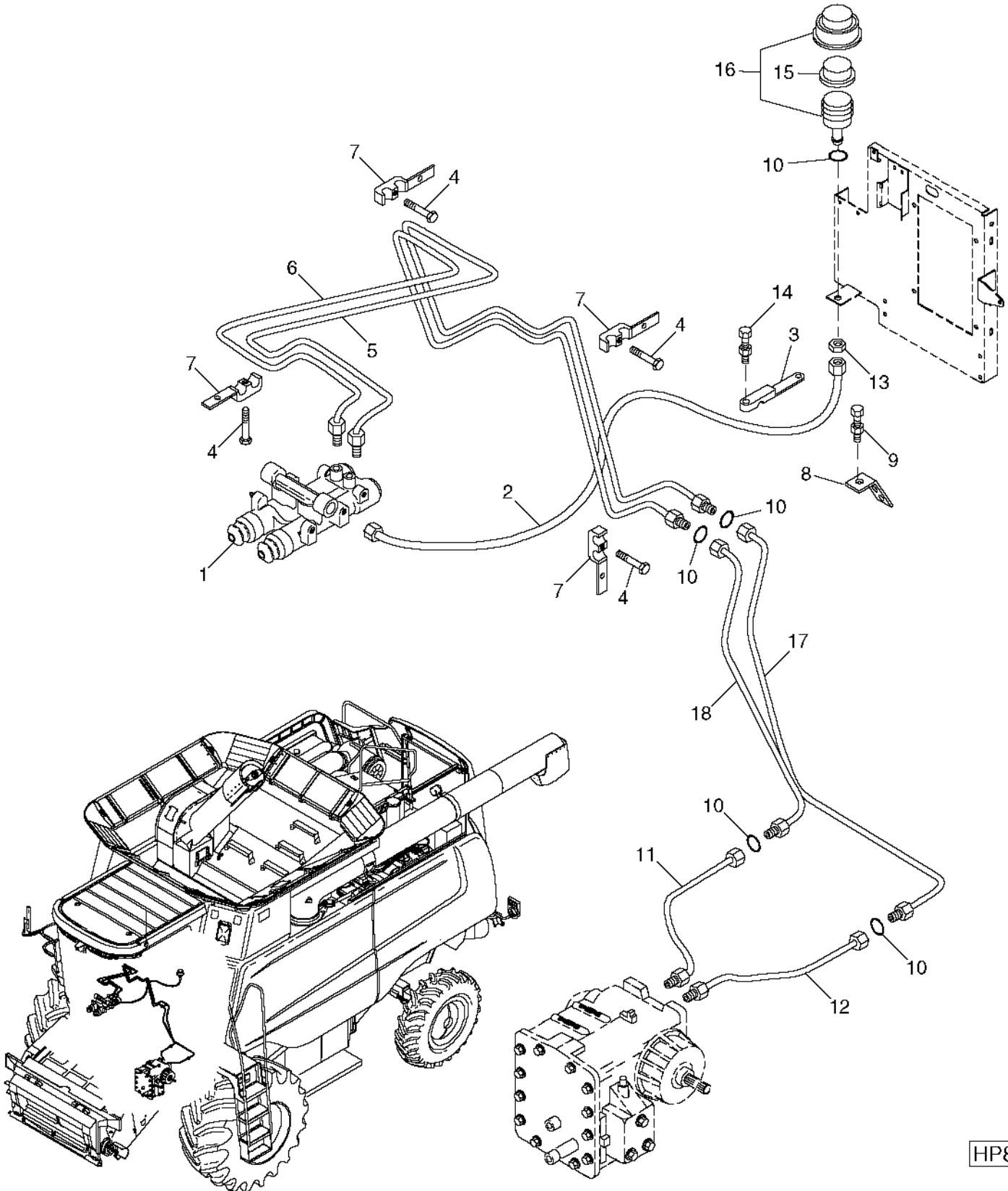


HP9673

BRAKE PEDALS AND MASTER CYLINDERS - CONTINUED

KEY	PART NO.	PART NAME	QTY	SERIAL NO.	REMARKS
				9 9	
				6 7	
				5 5	
				0 0	
1	H156514	SUPPORT	1	X X	R.H.
2	AH155787	CYLINDER	1	X X	
3	H156513	SUPPORT	1	X X	L.H.
4	19M7784	SCREW	4	X X	M10 X 20
5	H120389	PIN	1	X X	
6	H120388	PIN	1	X X	
7	H124259	PUSH ROD	2	X X	
8	H124258	SPRING	2	X X	
9	14M7274	NUT	2	X X	M10
10	45M7118	PIN	2	X X	(SUB FOR H114331)
11	24M7026	WASHER	2	X X	9 X 17 X 1.600 MM
12	11M7059	COTTER PIN	2	X X	3.200 X 20 MM
13	H114330	YOKE	2	X X	
14	H172924	PEDAL	1	X X	(SUB FOR H152166) L.H.
15	H111234	SEAL	2	X X	
16	H105005	BUSHING	4	X X	
17	34H312	SPRING PIN	1	X X	1/4" X 1"
18	H95902	SPRING	1	X X	
19	H99264	STRAP	1	X X	
20	H172923	PEDAL	1	X X	(SUB FOR H152165) R.H.
21	19M7866	SCREW	4	X X	M8 X 20
..	AH162545	KIT	1	X X	PISTON ASSEMBLY AND SNAP RING

BRAKE LINES, MASTER CYLINDER AND RESERVOIR
HP8812 -UN-27JUL99

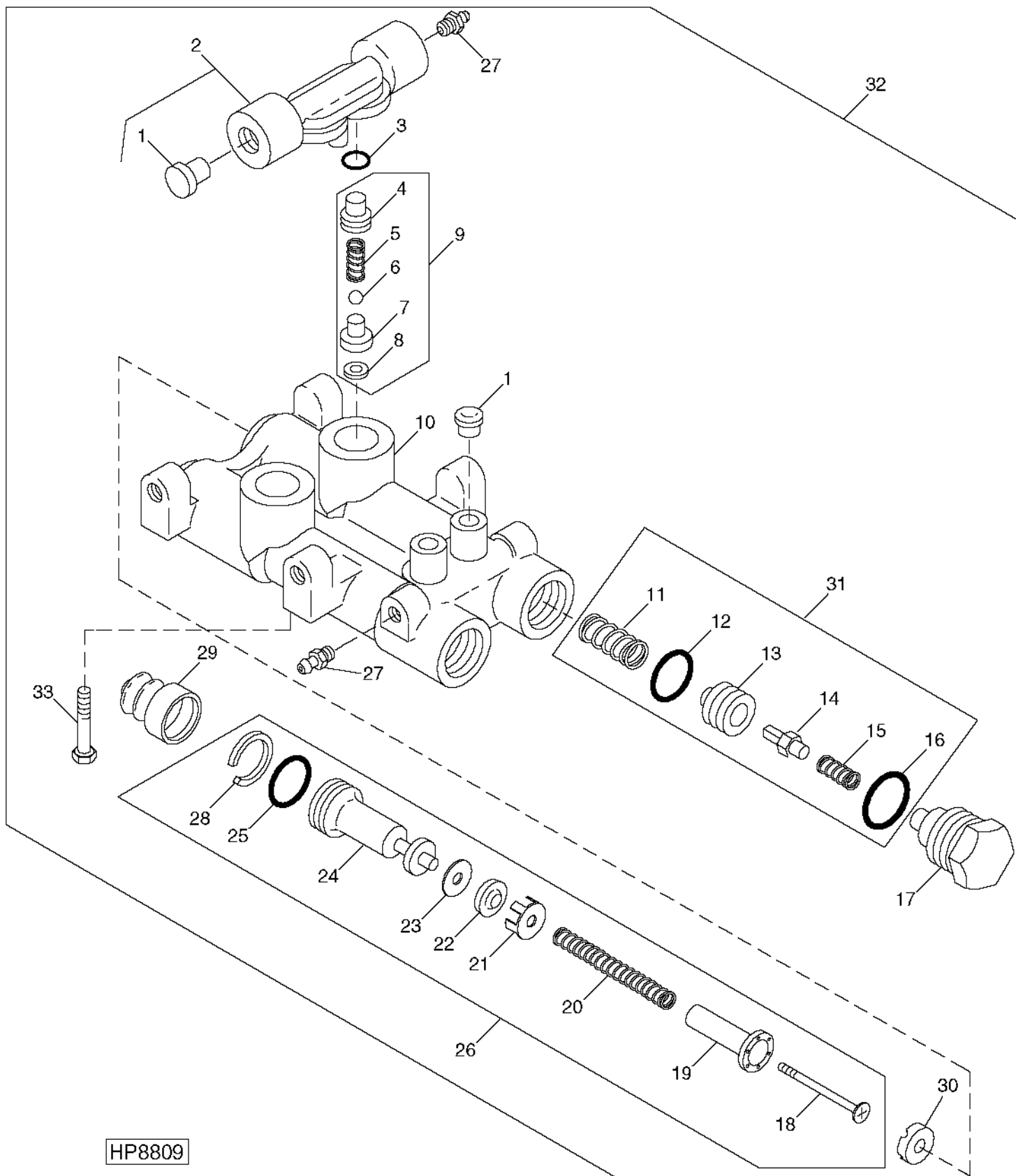


HP8812

BRAKE LINES, MASTER CYLINDER AND RESERVOIR - CONTINUED

KEY	PART NO.	PART NAME	QTY	SERIAL NO.	REMARKS
				9 9	
				6 7	
				5 5	
				0 0	
1	AH155787	CYLINDER	1	X X	
2	AH159250	BRAKE LINE	1	X X	
3	H112911	CLAMP	4	X X	
4	37M7131	SCREW	9	X X	M6 X 20
5	AH159248	BRAKE LINE	1	X X	L.H.
6	AH159249	BRAKE LINE	1	X X	R.H.
7	H112910	CLAMP	9	X X	
8	H134343	BRACKET	1	X X	
9	19M7775	SCREW	6	X X	M6 X 16
	14M7303	FLANGE NUT	6	X X	M6
10	H127752	O-RING	7	X X	
11	AH128842	OIL LINE	1	X X	
12	AH128843	OIL LINE	1	X X	
13	14H832	NUT	1	X X	9/16"
14	03M7290	BOLT	3	X X	M6 X 30
	14M7303	FLANGE NUT	3	X X	M6
15	H109254	DIAPHRAGM	1	X X	
16	AH130605	RESERVOIR	1	X X	
17	AH160611	BRAKE LINE	1	X X	R.H.
18	AH160610	BRAKE LINE	1	X X	L.H.

BRAKE MASTER CYLINDER
HP8809 -UN-08JUL99

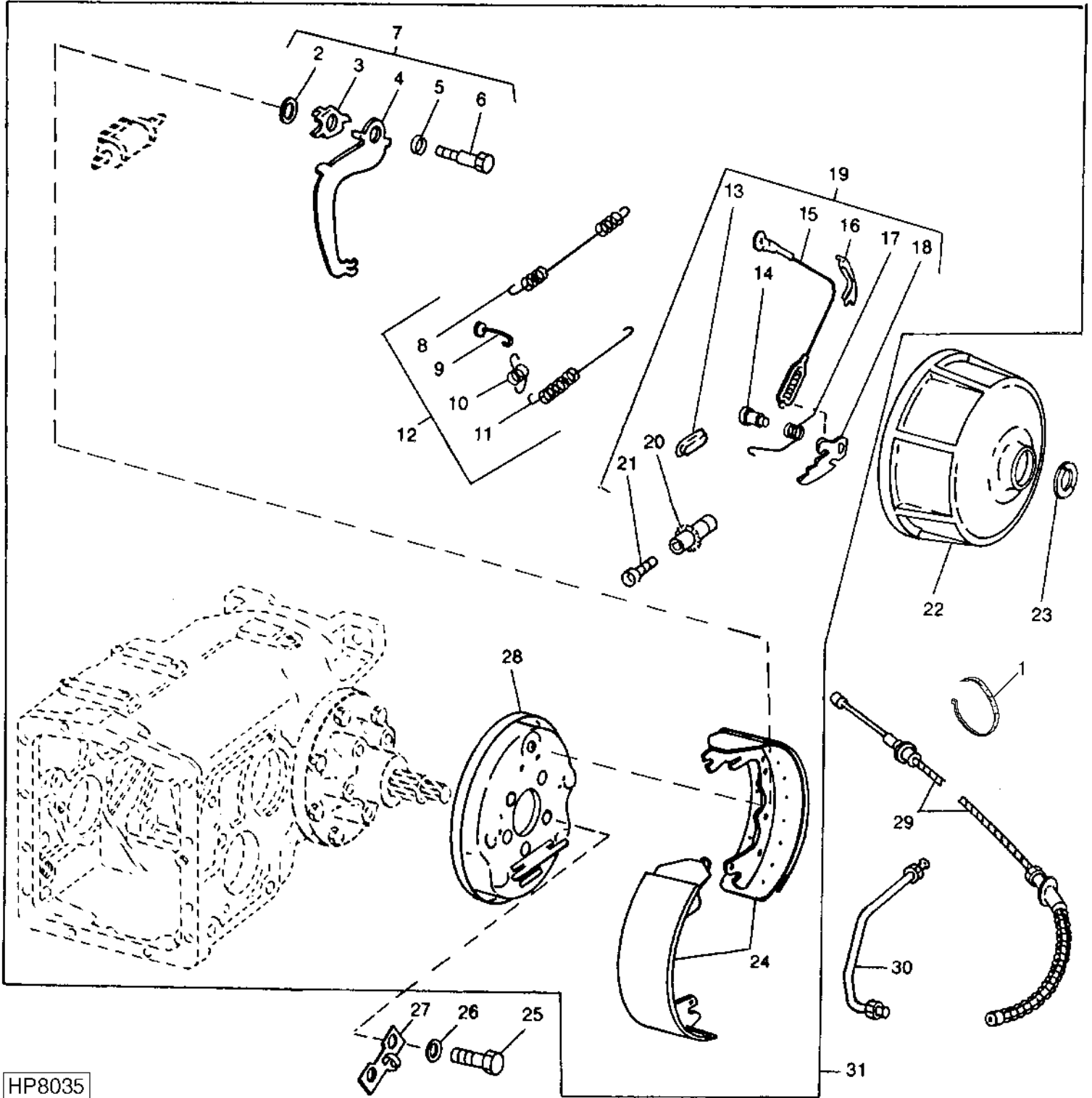


HP8809

BRAKE MASTER CYLINDER - CONTINUED

KEY	PART NO.	PART NAME	QTY	SERIAL NO.	REMARKS
				9 9	
				6 7	
				5 5	
				0 0	
1	SEAT	3	X X	
2	AH136305	DEVICE	1	X X	
3	O-RING	2	X X	(A)
4	VALVE	2	X X	(D)
5	SPRING	2	X X	(D)
6	BALL	2	X X	(D)
7	VALVE SEAT	2	X X	(D)
8	SEAL	2	X X	(D)
9	AH133126	VALVE	2	X X	INCLUDES PARTS MARKED (D)
10	HOUSING	1	X X	
11	H141869	SPRING	2	X X	(C)
12	O-RING	2	X X	(C)
13	BEARING	2	X X	(C)
14	POPPET	2	X X	(C)
15	SPRING	2	X X	(C)
16	O-RING	2	X X	(C)
17	H167988	DRAIN PLUG	2	X X	
18	SCREW	2	X X	(B)
19	RETAINER	2	X X	(B)
20	SPRING	2	X X	(B)
21	RETAINER	2	X X	(B)
22	OIL CUP	2	X X	(B)
23	RETAINER	2	X X	(B)
24	PISTON	2	X X	(B)
25	O-RING	2	X X	(B)
26	AH162545	KIT	2	X X	INCLUDES PARTS MARKED (B)
27	R21612	BLEED SCREW	1	X X	
28	SNAP RING	2	X X	(A) (B)
29	BOOT	2	X X	(A)
30	H81461	RETAINER	2	X X	
31	AH161485	KIT	1	X X	INCLUDES PARTS MARKED (C)
32	AH155787	CYLINDER	1	X X	
33	BOLT	1	X X	(A)
..	AH133128	KIT	1	X X	INCLUDES PARTS MARKED (A)

BRAKE SHOES AND DRUM
(L.H. ILLUSTRATED)
HP8035 -UN-18DEC98



HP8035

2E6

STEERING AND BRAKES

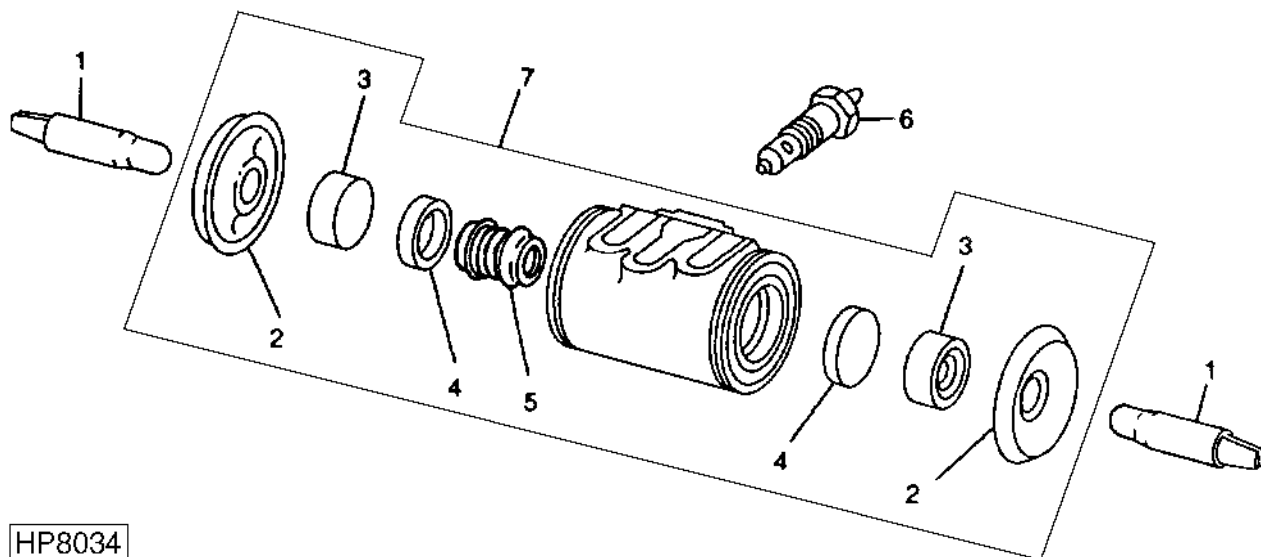
BRAKE SHOES AND DRUM - CONTINUED (L.H. ILLUSTRATED)

KEY	PART NO.	PART NAME	QTY	SERIAL NO.	REMARKS
				9 9	
				6 7	
				5 5	
				0 0	
1	R44302	TIE BAND	1	X X	
2	WASHER	1	X X	
3	CAM	1	X X	
4	LEVER	1	X X	
5	SPRING	1	X X	
6	BOLT	1	X X	(ANCHOR PIN)
7	AH131058	KIT	1	X X	R.H.
	AH131059	KIT	1	X X	L.H.
8	SPRING	1	X X	(UPPER SHOE-TO-SHOE)
9	H140135	LINK	2	X X	
10	SPRING	2	X X	(LOWER SHOE-TO-SHOE)
11	SPRING	2	X X	(HOLD DOWN)
12	AH131051	KIT	1	X X	
13	COVER	1	X X	(RUBBER)
14	PIN	1	X X	
15	CABLE	1	X X	
16	GUIDE	1	X X	
17	SPRING	1	X X	
18	PAWL	1	X X	(ADJUSTER)
19	AH131054	KIT	1	X X	R.H.
	AH131055	KIT	1	X X	L.H.
20	WHEEL	1	X X	
21	SCREW	1	X X	
22	CE18206	BRAKE DRUM	2	X X	
23	B32564	RING	2	X X	
24	AH143333	BRAKE SHOE	1	X X	HEAVY DUTY
25	19M7597	CAP SCREW	5	X X	M20 X 50
26	N12679	WASHER	5	X X	
27	H133351	GUIDE	2	X X	
28	H162536	KIT	1	X X	HEAVY DUTY
29	AH141582	CABLE	1	X X	
30	AH128842	OIL LINE	1	X X	L.H.
	AH128843	OIL LINE	1	X X	R.H.
31	AH155785	BRAKE	1	X X	R.H. (HEAVY DUTY)
	AH155786	BRAKE	1	X X	L.H. (HEAVY DUTY)
..	AH160680	KIT	2	X X	HOLD DOWN AND GUIDE (HEAVY DUTY)
..	AH162001	SEAL KIT	1	X X	HEAVY DUTY SEAL KIT

NOTE: QUANTITIES SHOWN ARE FOR ONE UNIT. TWO UNITS USED PER MACHINE.

BRAKE SLAVE CYLINDER (HEAVY DUTY)

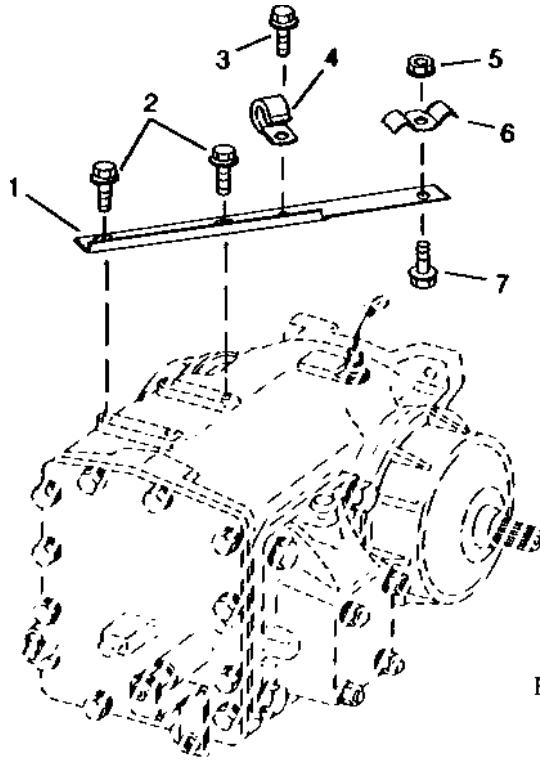
HP8034 -UN-18DEC98



HP8034

KEY	PART NO.	PART NAME	QTY	SERIAL NO.	REMARKS
				9 9	
				6 7	
				5 5	
				0 0	
1	H140135	LINK	2	X X	
2	BOOT	2	X X	
3	PISTON	2	X X	
4	SEAL	2	X X	
5	SPRING	1	X X	
6	H168933	SCREW	1	X X	HEAVY DUTY
7	AH160677	CYLINDER	1	X X	R.H. (1.25)
	AH160676	CYLINDER	1	X X	L.H. (1.25)

BRAKE CABLE SUPPORT BRACKET
HP5535 -UN-01JAN94

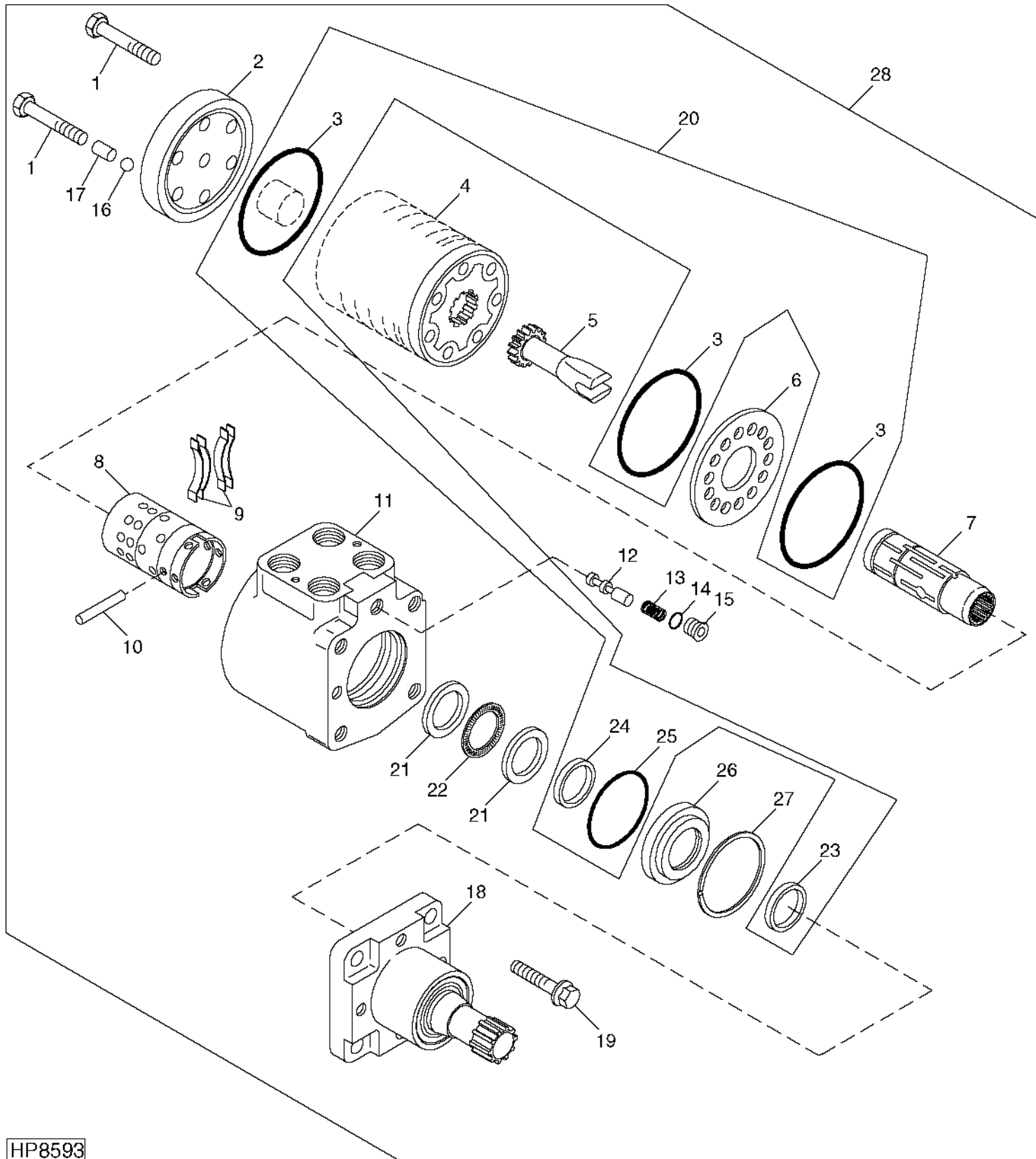


HP5535

KEY	PART NO.	PART NAME	QTY	SERIAL NO.	REMARKS
				9 9	
				6 7	
				5 5	
				0 0	
1	H171550	BRACKET	1	X X	
2	19M7865	SCREW	2	X X	M8 X 16
3	37M7083	SCREW	1	X X	M8 X 12
4	AH89557	CLIP	1	X X	
5	14M7298	FLANGE NUT	1	X X	M8
6	R42009	CLAMP	1	X X	
7	19M7867	SCREW	1	X X	M8 X 25

2E9

STEERING VALVE
HP8593 -UN-24AUG99



HP8593

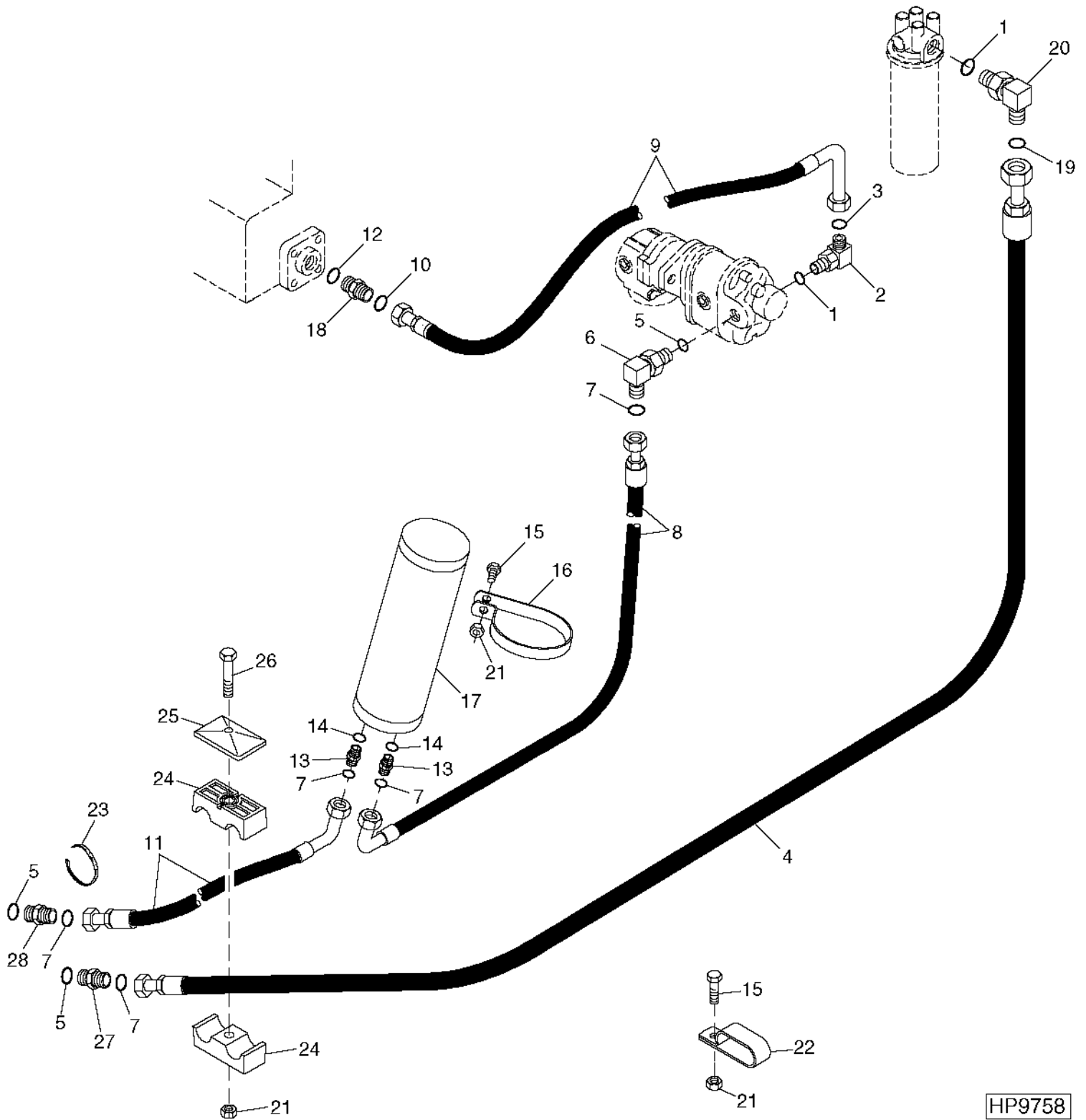
2E10

STEERING VALVE - CONTINUED

KEY	PART NO.	PART NAME	QTY	SERIAL NO.	REMARKS
				9 9	
				6 7	
				5 5	
				0 0	
1	SCREW	7	X X	
2	CAP	1	X X	
3	SEAL	3	X X	(A)
4	ROTATOR	1	X X	
5	DRIVE	1	X X	
6	SPACER	1	X X	
7	SPOOL	1	X X	
8	SLEEVE	1	X X	
9	SPRING ASSEMBLY	1	X X	
10	PIN	1	X X	
11	CONTROL	1	X X	
12	PLUNGER	1	X X	
13	SPRING	1	X X	
14	O-RING	1	X X	
15	CAP	1	X X	
16	BALL CHECK	1	X X	
17	ROD	1	X X	(A)
18	HOUSING	1	X X	
19	SCREW	1	X X	
20	AH142893	SEAL KIT	1	X X	INCLUDES PARTS MARKED (A)
21	BEARING	2	X X	
22	NEEDLE BEARING	1	X X	
23	SEAL	1	X X	(A)
24	SEAL	1	X X	(A)
25	SEAL	1	X X	(A)
26	BUSHING	1	X X	
27	SNAP RING	1	X X	
28	AH167238	VALVE	1	X X	(SUB FOR AH157457)

2E11

HYDRAULIC STEERING HOSES, UPPER AND ATTENUATOR HP9758 -UN-15MAY00



HP9758

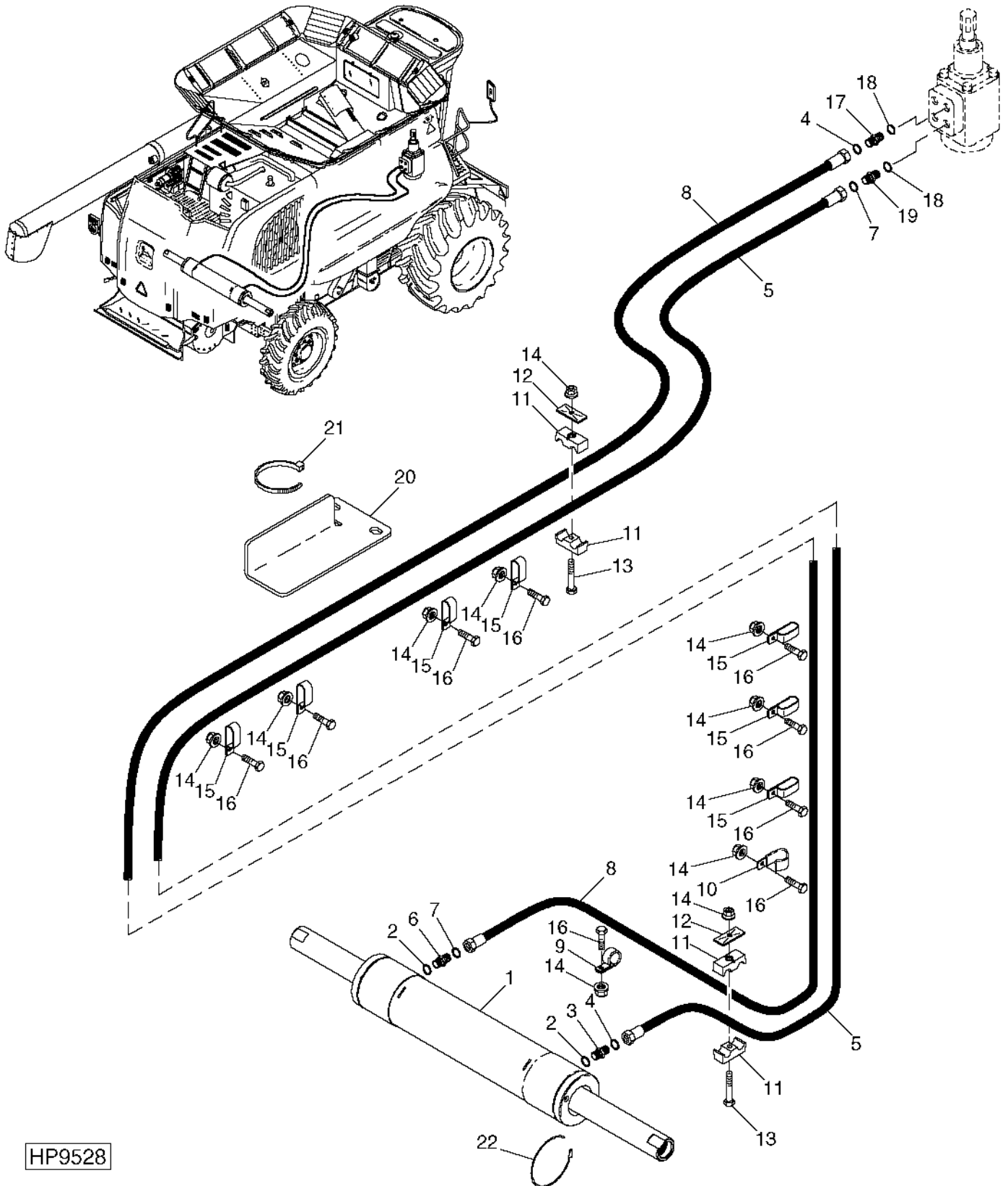
HYDRAULIC STEERING HOSES, UPPER AND ATTENUATOR - CONTINUED

KEY	PART NO.	PART NAME	QTY	SERIAL NO.	REMARKS
				9 9	
				6 7	
				5 5	
				0 0	
1	U12547	O-RING	2	X X	
2	38H1007	ELBOW FITTING	1	X X	
3	T77858	O-RING	1	X X	
4	AH153845	HYDRAULIC HOSE	1	X X	13/16" X 6 070 MM X 1" (RETURN)
5	R26375	O-RING	2	X X	
6	38H1005	ELBOW FITTING	1	X X	
7	T77857	O-RING	3	X X	
8	AH156718	HYDRAULIC HOSE	1	X X	13/16" X 2 250 MM X 13/16" (PRESSURE)
9	AH153851	HYDRAULIC HOSE	1	X X	(SUCTION)
10	T76938	O-RING	1	X X	
11	AH153846	HYDRAULIC HOSE	1	X X	
12	R29936	O-RING	1	X X	
13	38H1173	ADAPTER	2	X X	
14	R26448	O-RING	2	X X	
15	19M7868	SCREW	1	X X	M8 X 30
16	R35794	CLAMP	1	X X	
17	AR75693	ATTENUATOR	1	X X	
18	38H1164	ADAPTER	1	X X	STRAIGHT FOR SINGLE REDUCTION
19	T77932	O-RING	2	X X	
20	38H1404	ELBOW FITTING	1	X X	
21	14M7298	FLANGE NUT	1	X X	M8
22	AH77869	CLIP	5	X X	
23	H77698	TIE BAND	1	X X	
24	H122772	CLAMP	2	X X	
25	H112567	PLATE	1	X X	
26	19M7803	SCREW	1	X X	M8 X 70
27	38H1161	ADAPTER	1	X X	
28	38H1317	FITTING	1	X X	

2E13

STEERING CYLINDER AND HOSES

HP9528 -UN-04FEB00



HP9528

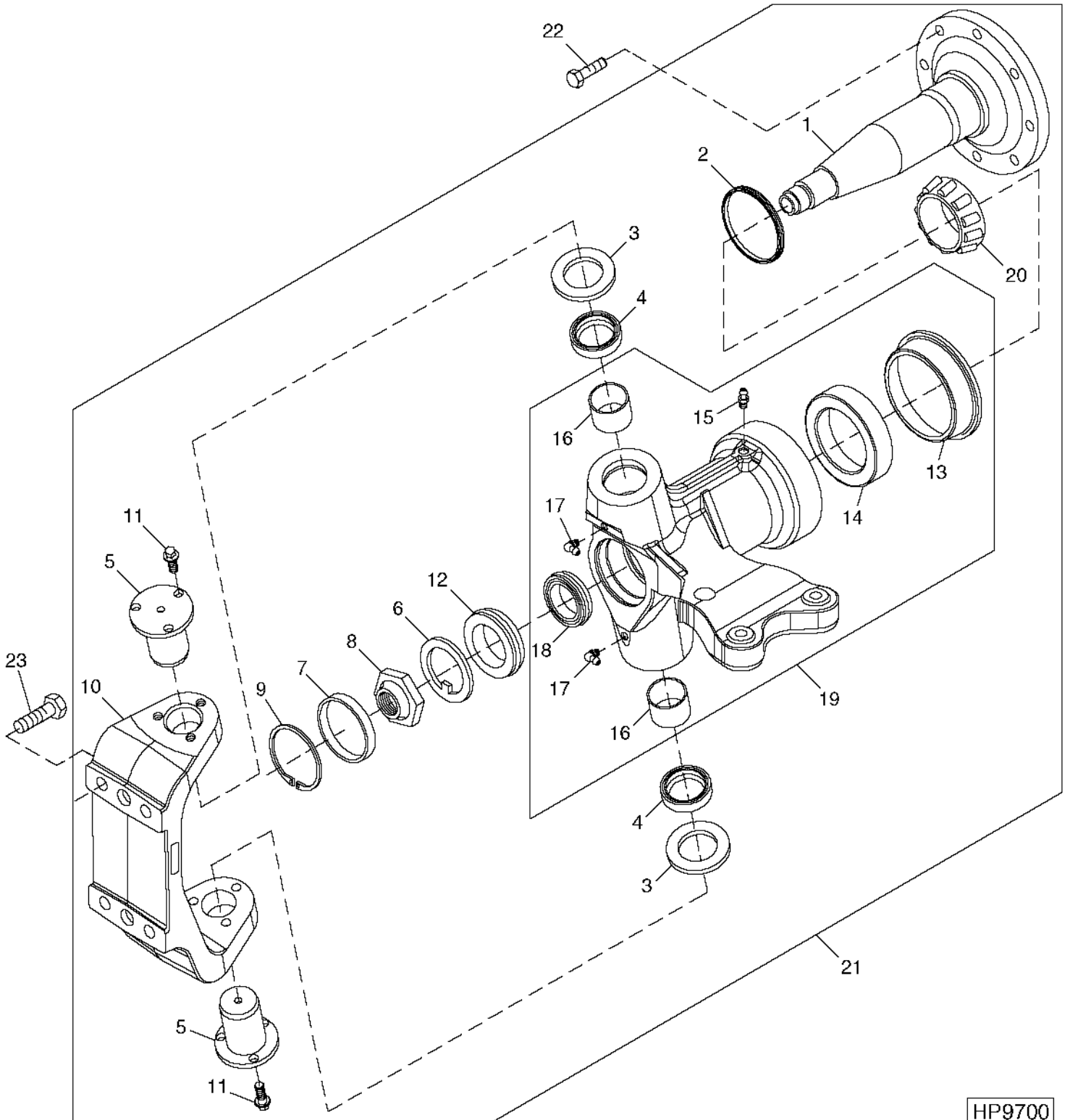
2E14

STEERING CYLINDER AND HOSES - CONTINUED

KEY	PART NO.	PART NAME	QTY	SERIAL NO.	REMARKS
				9 9	
				6 7	
				5 5	
				0 0	
1	AH162912	HYDRAULIC CYLINDER	1		
2	R26448	O-RING	2		
3	38H1173	ADAPTER	1		
4	T77857	O-RING	2		
5	AH154186	HYDRAULIC HOSE	1		
6	38H1160	ADAPTER	1		
7	T77613	O-RING	2		
8	AH153849	HYDRAULIC HOSE	1		
9	AH89486	CLIP	1		
10	AH90990	CLIP	1		
11	H120847	CLAMP	4		
12	H121168	PLATE	2		
13	19M7800	SCREW	2		M8 X 50
14	14M7298	FLANGE NUT	11		M8
15	AH97280	CLIP	7		
16	19M7868	SCREW	9		M8 X 30
17	38H1161	ADAPTER	1		
18	R26375	O-RING	2		
19	38H1171	ADAPTER	1		
20	H171998	BRACKET	1		
21	R44302	TIE BAND	1		
22	H152089	WIRE	1		

2E15

REAR AXLE SPINDLES (HEAVY DUTY) HP9700 -UN-12APR00



HP9700

2E16

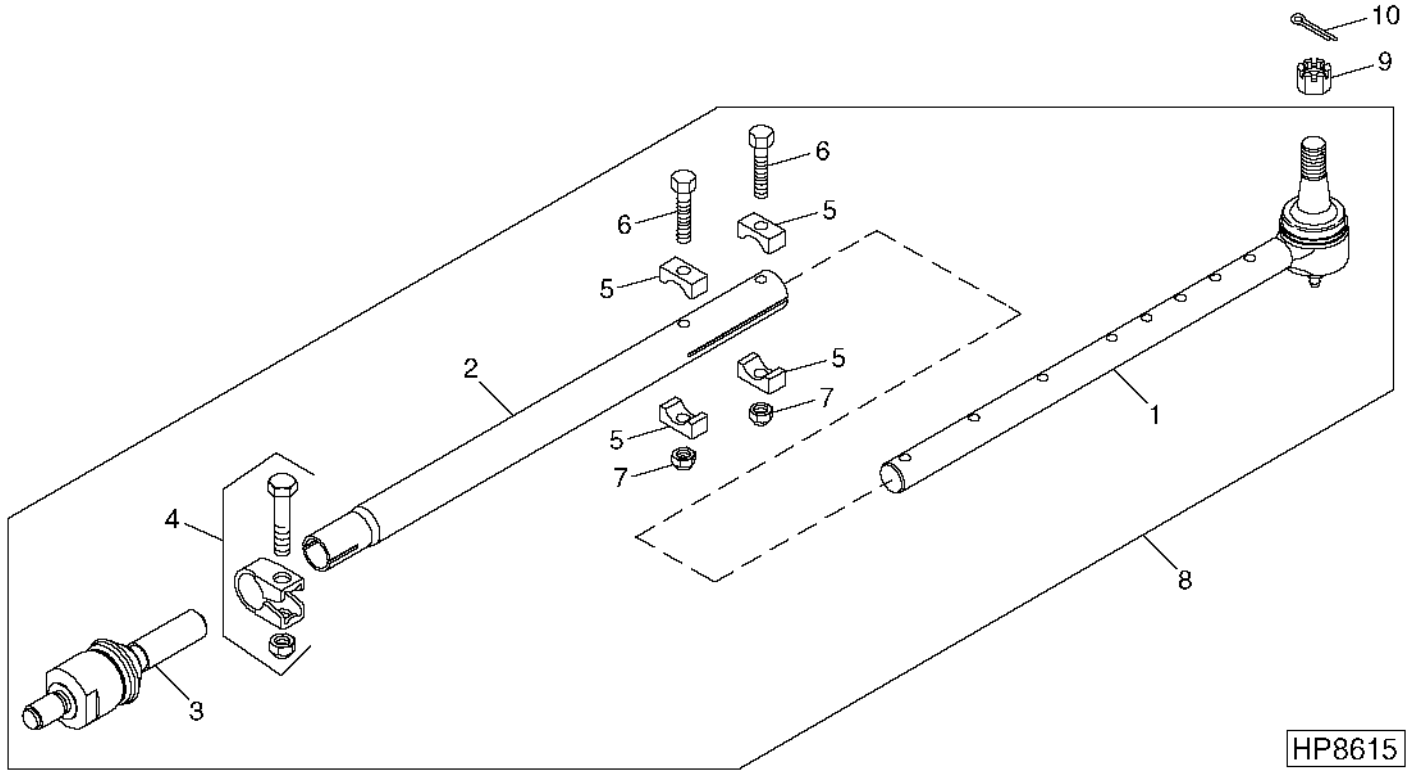
STEERING AND BRAKES

REAR AXLE SPINDLES (HEAVY DUTY) - CONTINUED

KEY	PART NO.	PART NAME	QTY	SERIAL NO.	9 6 5 0	9 7 5 0	REMARKS
1	H164559	SPINDLE	1		X	X	
2	RE49243	SEAL	1		X	X	
3	R60239	THRUST WASHER	2		X	X	
4	AR86539	SEAL	2		X	X	
5	H164561	PIN	2		X	X	
6	H169128	WASHER	1		X	X	
7	T12529	CAP	1		X	X	
8	H174361	NUT	1		X	X	
9	40M7117	SNAP RING	1		X	X	
10	H174081	YOKE	1		X	X	(SUB FOR H164562)
11	19M7786	SCREW	6		X	X	M10 X 30
12	JD9043	BEARING CONE	1		X	X	
13	R57269	OIL CUP	1		X	X	
14	JD7448	BEARING CUP	1		X	X	
15	JD7798	LUBRICATION FITTING	1		X	X	
16	R68102	BUSHING	2		X	X	
17	JD7799	LUBRICATION FITTING	2		X	X	
18	JD9109	BEARING CUP	1		X	X	
19	AH162466	SPINDLE	1	-685774	X	X	R.H.
	AH168054	SPINDLE	1	685775-	X	X	R.H.
	AH162467	SPINDLE	1	-685744	X	X	L.H.
	AH168053	SPINDLE	1	685775-	X	X	L.H.
20	JD10462	BEARING CONE	1		X	X	
21	AH162146	SPINDLE	1	-685744	X	X	R.H.
	AH168051	SPINDLE	1	685775-	X	X	R.H.
	AH162147	SPINDLE	1	-685744	X	X	L.H.
	AH168050	SPINDLE	1	685775-	X	X	L.H.
22	H168476	SCREW	8		X	X	M16 X 55
23	19M8002	CAP SCREW	4		X	X	M20 X 55

2E17

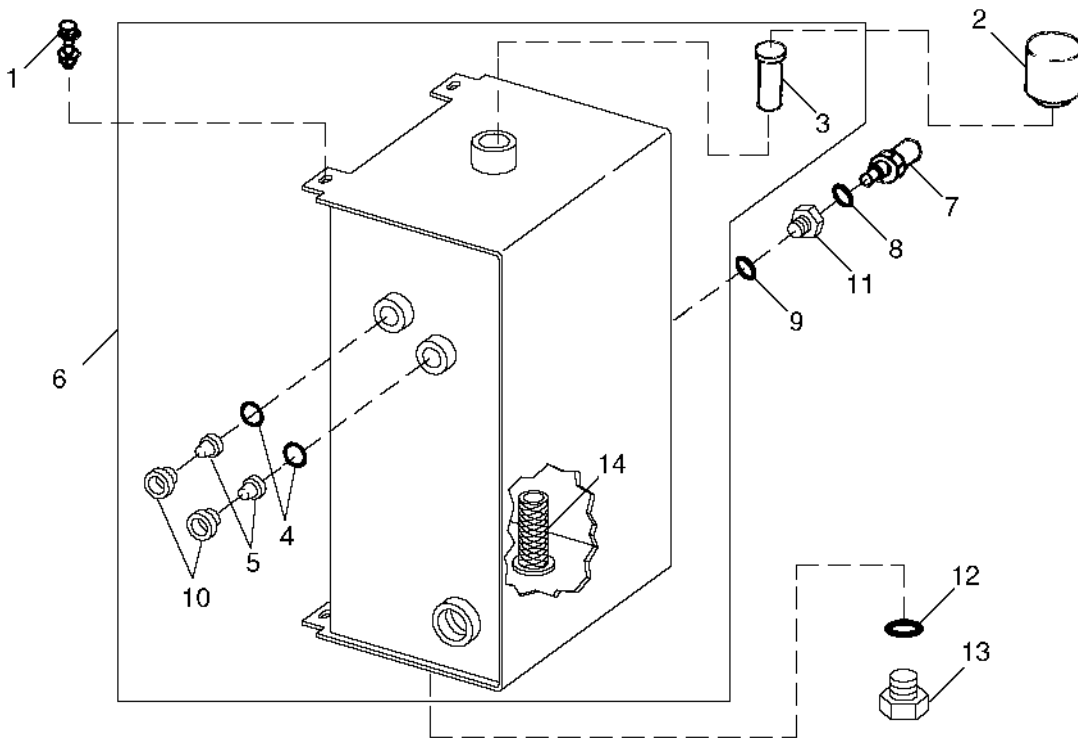
STEERING TIE RODS
HP8615 -UN-27JUL99



KEY	PART NO.	PART NAME	QTY	SERIAL NO.	REMARKS
				9 9	
				6 7	
				5 5	
				0 0	
1	AH154441	TIE ROD	1	X X	
2	H161582	TUBE	1	X X	
3	AH155001	BALL JOINT	1	X X	
4	AH155002	CLAMP	1	X X	
5	H107266	CLAMP	4	X X	
6	19M7875	CAP SCREW	2	X X	M10 X 70
7	14M7517	LOCK NUT	2	X X	M10
8	AH154440	TIE ROD	1	X X	
9	14H902	NUT	1	X X	3/4"
10	11M7087	COTTER PIN	1	X X	4 X 40 MM

2E21

HYDRAULIC / HYDROSTATIC OIL RESERVOIR AND MOUNTINGS
 HP9079 -UN-20SEP99



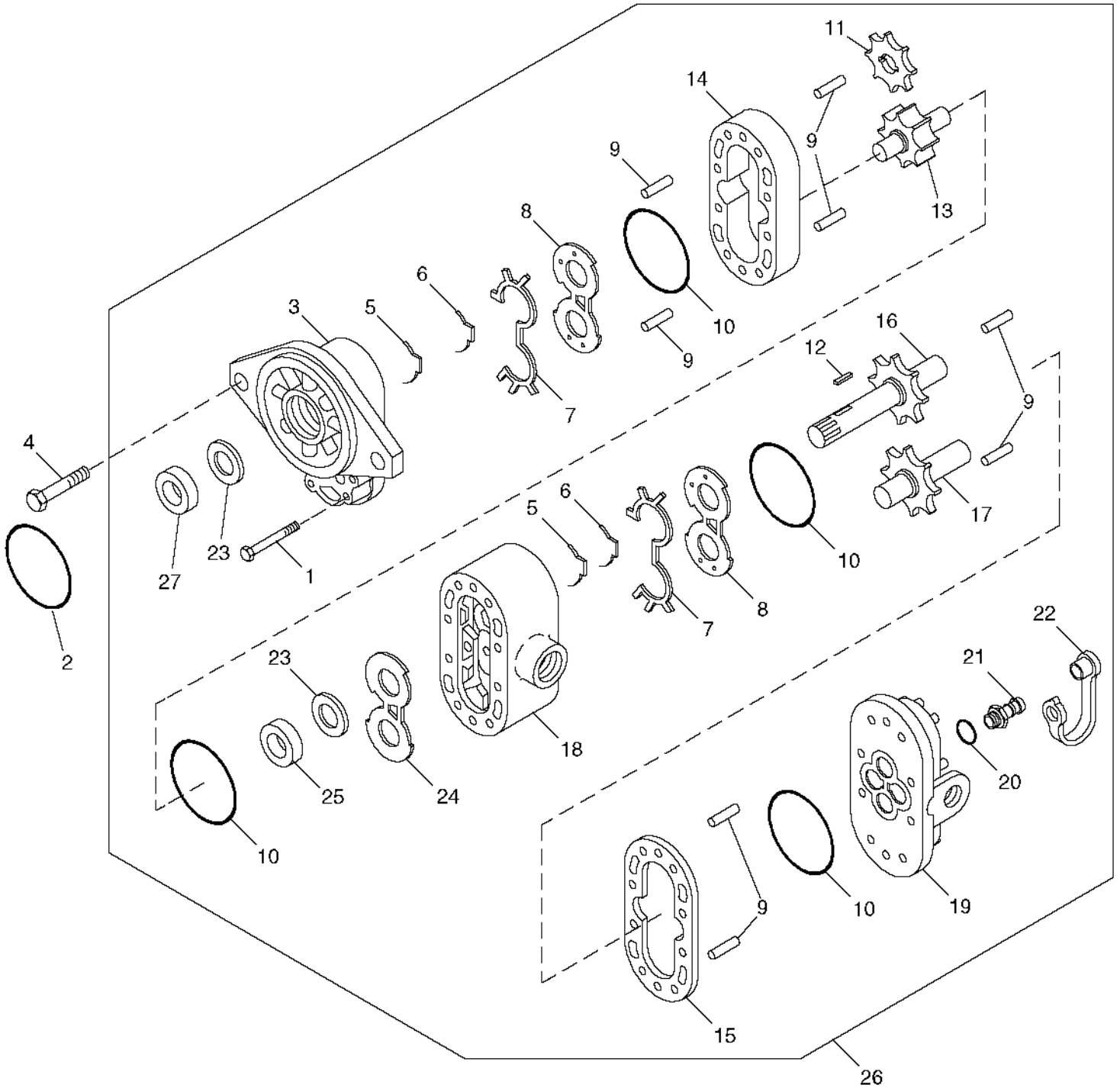
HP9079

9 9
 6 7
 5 5
 0 0

KEY	PART NO.	PART NAME	QTY	SERIAL NO.	REMARKS
1	19M7866	SCREW	4	X X	M8 X 20
	14M7298	FLANGE NUT	4	X X	M8
2	AZ49144	CAP	1	X X	
3	AH135064	STRAINER	1	X X	35 MM DIA.
4	P48347	O-RING	2	X X	
5	N209312	LENS	2	X X	OIL LEVEL
6	AH157973	HYDRAULIC RESERVOIR	1	X X	
7	AH156144	COOLANT TEMPERATURE SENSOR	1	X X	
8	51M7040	O-RING	1	X X	9.300 X 2.200 MM
9	R26375	O-RING	1	X X	
10	N205022	RETAINER	2	X X	
11	T28256	COUPLING	1	X X	
12	R26448	O-RING	1	X X	
13	R27218	FITTING PLUG	1	X X	2-WHEEL DRIVE
14	AH131334	SCREEN	1	X X	

2E22

MAIN HYDRAULIC PUMP
HP8298 -UN-16AUG99



HP8298

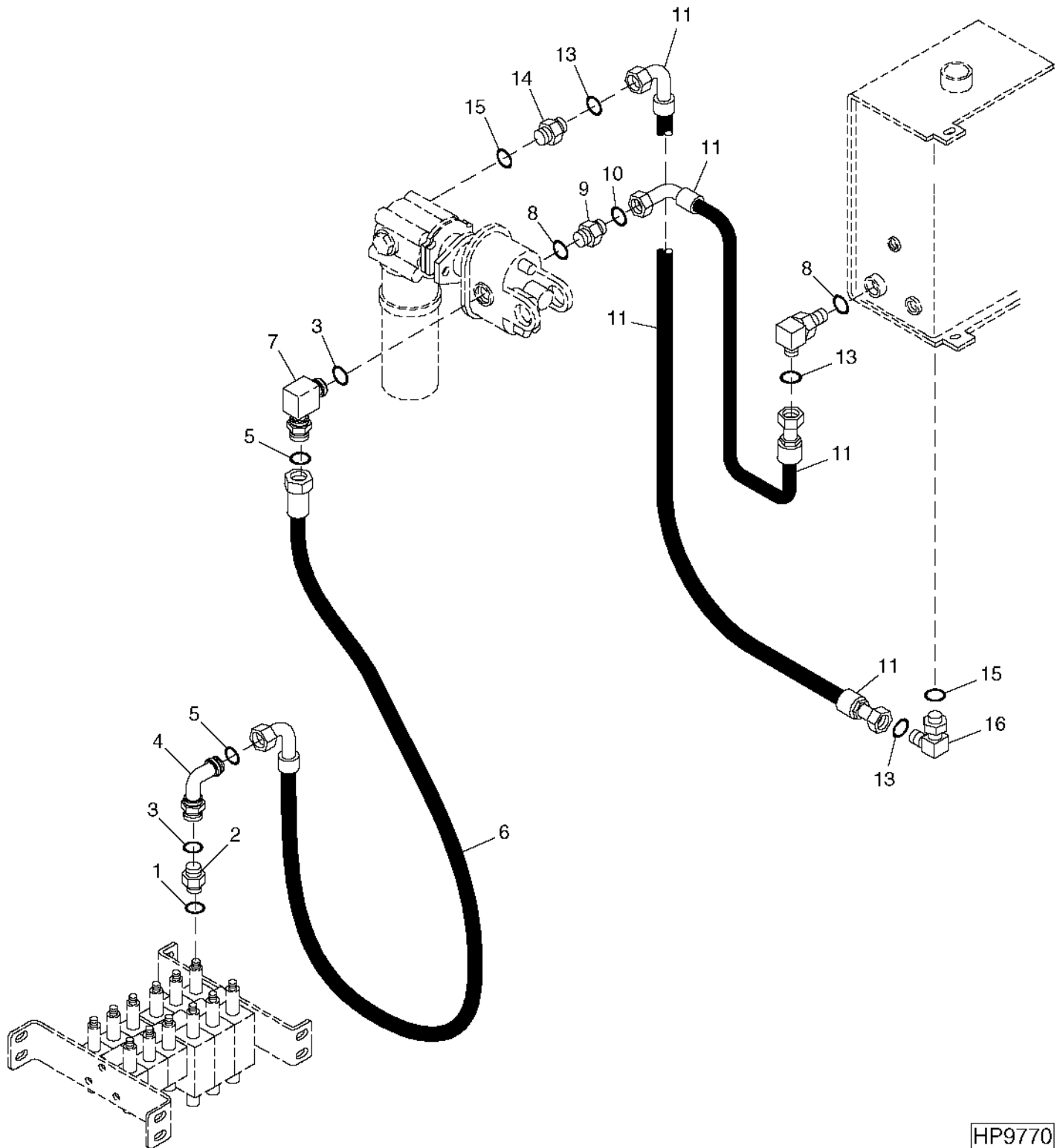
MAIN HYDRAULIC PUMP - CONTINUED

KEY	PART NO.	PART NAME	QTY	SERIAL NO.	REMARKS
				9 9 6 7 5 5 0 0	
1	H135569	CAP SCREW	8	X X	HEAVY DUTY FINAL DRIVE W/2-3/8" LIFT CYLINDER
2	E65288	O-RING	1	X X	
3	PLATE	1	X X	
4	19H1732	CAP SCREW	2	X X	3/8" X 1-1/4"
	12H304	LOCK WASHER	2	X X	3/8"
5	SEAL	2	X X	(A)
6	GASKET	2	X X	(A)
7	GASKET	2	X X	(A)
8	WEAR PLATE	2	X X	(A)
9	H116213	DOWEL PIN	8	X X	
10	H80821	O-RING	4	X X	(A)
11	PARALLEL SHAFT GEAR DRIVE	1	X X	
12	H135566	KEY	1	X X	HEAVY DUTY FINAL DRIVE
13	GEAR	1	X X	
14	HOUSING	1	X X	
15	LINK BODY	1	X X	
16	GEAR	1	X X	
17	GEAR	1	X X	
18	PLATE	1	X X	
19	PLATE	1	X X	
20	R26448	O-RING	1	X X	(A)
21	AH125760	HYD. QUICK-CONNECT COUPLER	1	X X	
22	R77175	COVER	1	X X	
23	M48869	WASHER	2	X X	(A)
24	PLATE	1	X X	(A)
25	SEAL	1	X X	(A)
26	AH131175	HYDRAULIC PUMP	1	X	REMANUFACTURED (EATON R25382-RAN) HEAVY DUTY FINAL DRIVE WITH 63MM (2 1/2") CYLINDER
	AH161649	HYDRAULIC PUMP	1	X X	REMANUFACTURED (EATON R25383-RBH) HEAVY DUTY FINAL DRIVE WITH 70MM (2 3/4") CYLINDER
27	SEAL	1	X X	(A)
..	AH162145	SEAL KIT	1	X X	INCLUDES PARTS MARKED (A)

2E24

HYDRAULICS

HYDRAULIC PRESSURE HOSES
HP9770 -UN-24MAY00



HP9770

2E25

HYDRAULICS

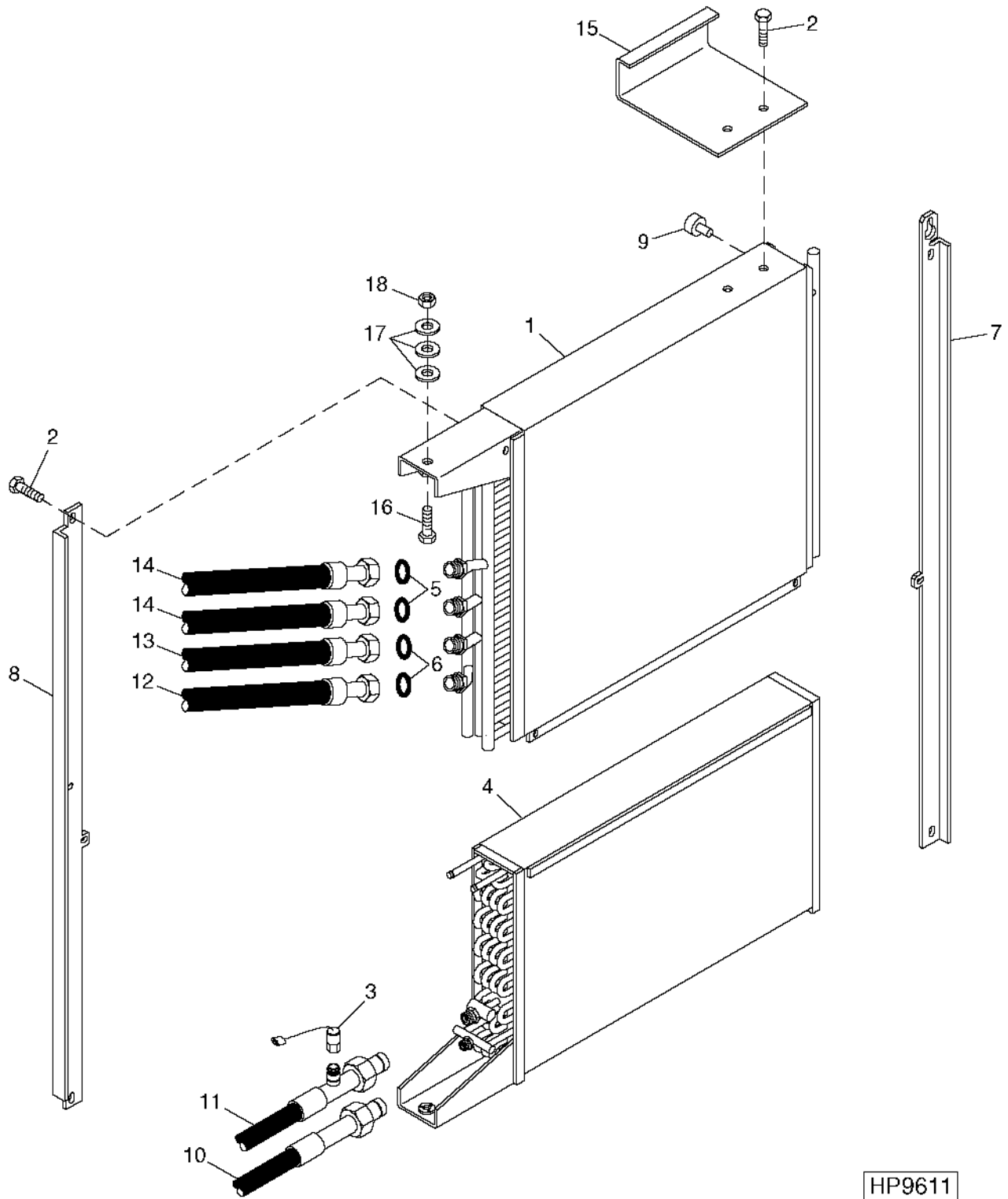
HYDRAULIC PRESSURE HOSES - CONTINUED

KEY	PART NO.	PART NAME	QTY	SERIAL NO.	REMARKS
				9 9	
				6 7	
				5 5	
				0 0	
1	R26375	O-RING	1	X X	16.358 X 2.210 MM
2	38H1317	FITTING	1	X X	
3	R26906	O-RING	2	X X	
4	38H1096	ELBOW FITTING	1	X X	
5	T77932	O-RING	1	X X	
6	AH164280	HYDRAULIC HOSE	1	X X	
7	38H1006	ELBOW FITTING	1	X X	
8	R29936	O-RING	2	X X	29.743 X 2.946 MM
9	38H1164	ADAPTER	1	X X	
10	T76938	O-RING	2	X X	23.520 X 1.778 MM
11	AH163360	HYDRAULIC HOSE	2	X X	1-7/16" X 660 MM X 1-7/16"
12	38H1037	ELBOW FITTING	1	X X	
13	T76938	O-RING	2	X X	23.520 X 1.778 MM
14	38H1164	ADAPTER	1	X X	
15	R29936	O-RING	2	X X	29.743 X 2.946 MM
16	38H1037	ELBOW FITTING	1	X X	

2F1

OIL COOLER AND A/C CONDENSER

HP9611 -UN-30MAR00



HP9611

2F2

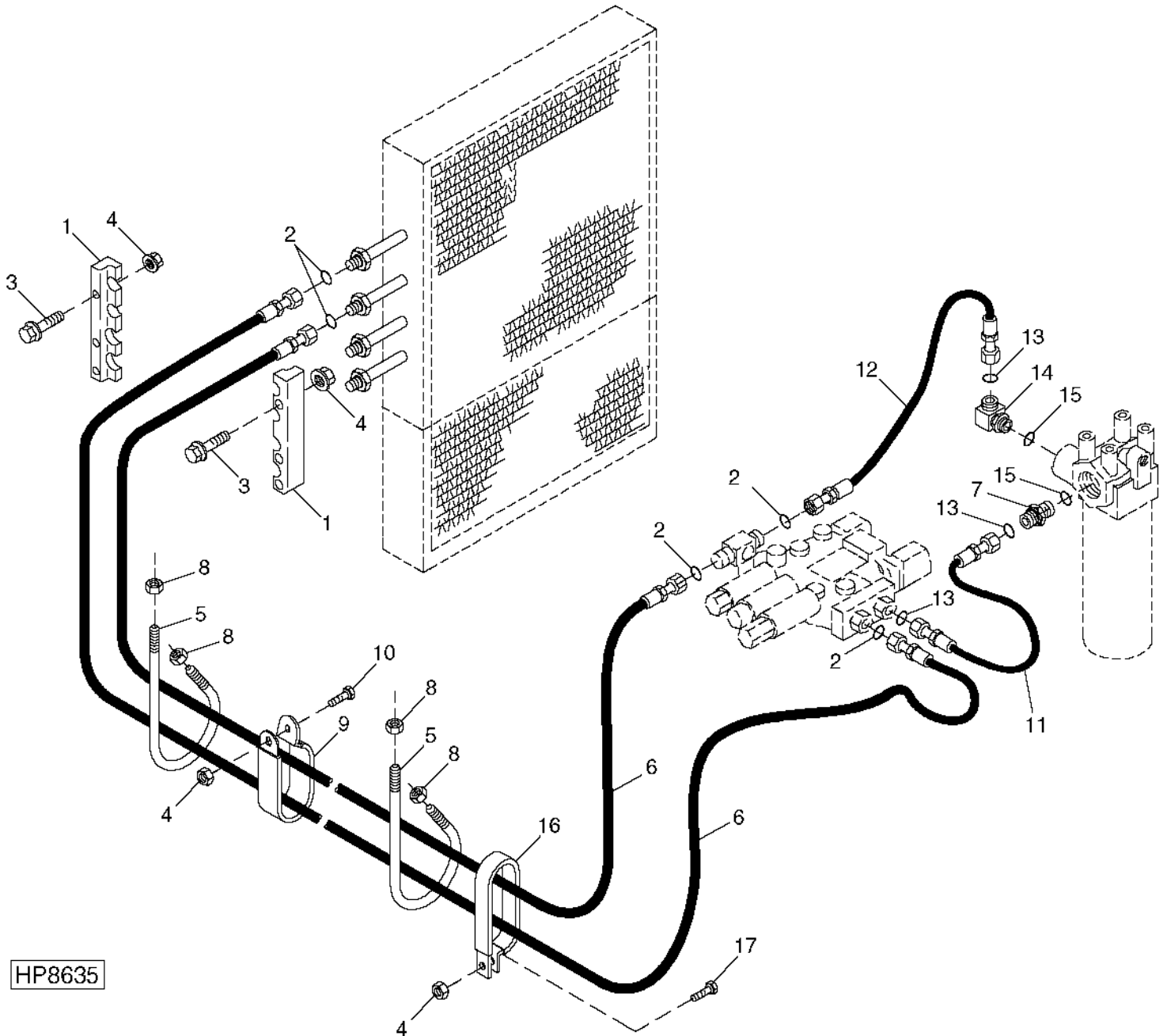
HYDRAULICS

OIL COOLER AND A/C CONDENSER - CONTINUED

KEY	PART NO.	PART NAME	QTY	SERIAL NO.	REMARKS
				9 9	
				6 7	
				5 5	
				0 0	
1	AH149226	OIL COOLER	1	X X	WITH FUEL COOLER
2	19M7774	SCREW	6	X X	M6 X 12
3	RE24307	HIGH PRESSURE SWITCH	4	X X	
4	AH163522	VAPOR CONDENSER	1	X X	WITH FUEL COOLER
5	T77932	O-RING	2	X X	
6	T77858	O-RING	2	X X	
7	H162584	BRACKET	1	X X	R.H.
8	H162585	BRACKET	1	X X	L.H.
9	H158596	STOP	1	X X	
10	AH147296	HOSE	1	X X	LIQUID
11	AH146981	HOSE	1	X X	PRESSURE
12	AH156746	HYDRAULIC HOSE	1	X X	COOLER "IN"
13	AH159948	HYDRAULIC HOSE	1	X X	COOLER "OUT"
14	AH156743	HYDRAULIC HOSE	2	X X	COOLER "IN/OUT"
15	H163885	HANDLE	1	X X	
16	19M7786	SCREW	1	X X	M10 X 30
17	24M7207	WASHER	3	X X	8.400 X 24 X 2 MM
18	14M7152	NUT	1	X X	M10

2F3

WET CLUTCH OIL COOLER LINES AND HOSES
HP8635 -UN-12JUL99



HP8635

2F4

HYDRAULICS

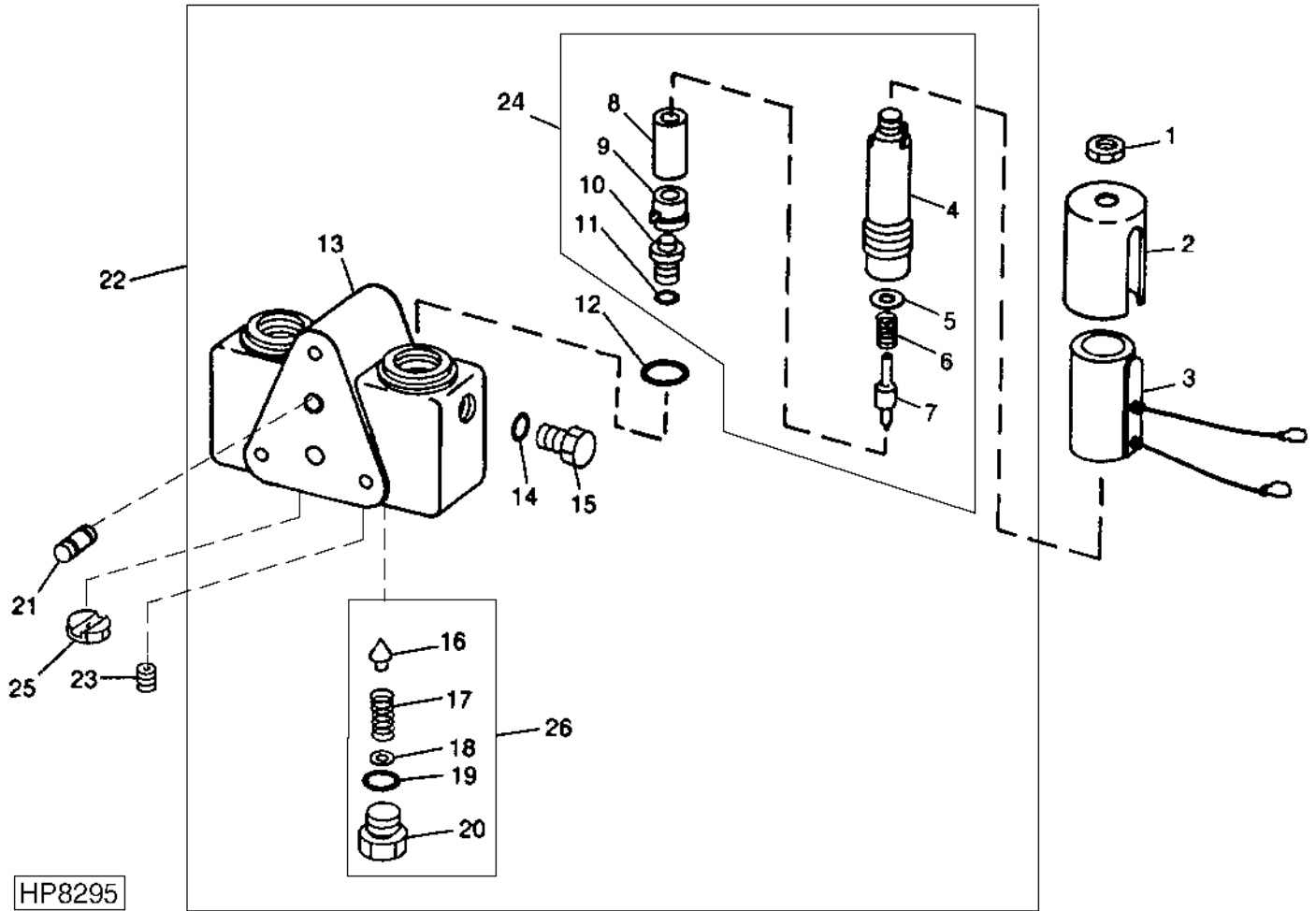
WET CLUTCH OIL COOLER LINES AND HOSES - CONTINUED

KEY	PART NO.	PART NAME	QTY	SERIAL NO.	REMARKS
				9 9	
				6 7	
				5 5	
				0 0	
1	H151585	CLAMP	2	X X	
2	T77932	O-RING	5	X X	
3	19M8317	SCREW	6	X X	M8 X 40
4	14M7298	FLANGE NUT	3	X X	M8
5	H163603	HOSE SUPPORT	2	X X	
6	AH156743	HYDRAULIC HOSE	2	X X	
7	38H1175	ADAPTER	1	X X	
8	14M7296	FLANGE NUT	4	X X	M10
9	AH80328	CLIP	1	X X	
10	19M7868	SCREW	1	X X	M8 X 30
11	AH128780	HYDRAULIC HOSE	1	X X	13/16" X 725 MM X 13/16"
12	AH128779	HYDRAULIC HOSE	1	X X	1" X 275 MM X 13/16"
13	T77857	O-RING	3	X X	
14	38H1013	ELBOW FITTING	1	X X	
15	U12547	O-RING	2	X X	
16	H168854	CLAMP	1	X X	
17	19M7866	SCREW	1	X X	M8 X 20

2F5

SOLENOID CONTROL VALVE FOR REEL LIFT / VARIABLE SPEED AND STS ROTOR SPEED

HP8295 -UN-12JUL99



HP8295

2F6

HYDRAULICS

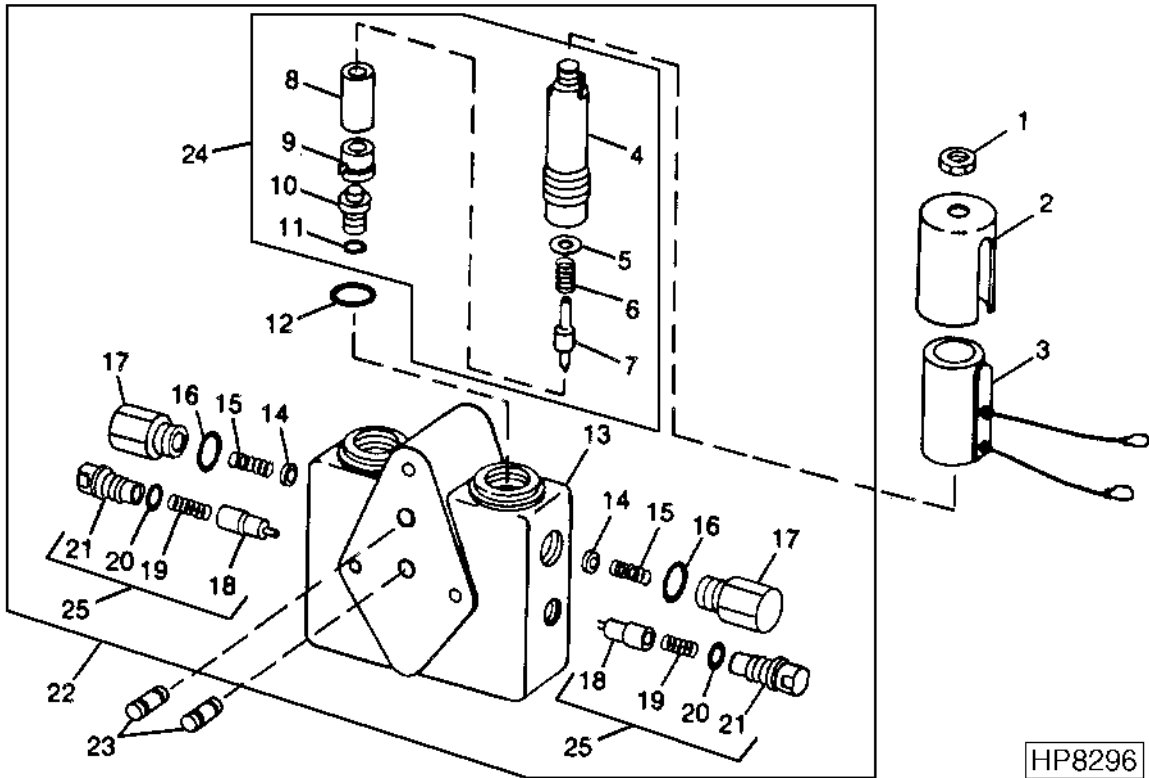
SOLENOID CONTROL VALVE FOR REEL LIFT / VARIABLE SPEED AND STS ROTOR SPEED - CONTINUED

KEY	PART NO.	PART NAME	QTY	SERIAL NO.	REMARKS
				9 9	
				6 7	
				5 5	
				0 0	
1	A4655R	NUT	2		X X
2	E62942	COVER	2		X X
3	AH124731	ELECTRICAL COIL	2		X X
4	SLEEVE	2		X X
5	WASHER	2		X X
6	E62089	SPRING	2		X X
7	POPPET	2		X X
8	ARMATURE	2		X X
9	SOLENOID	2		X X
10	ORIFICE	2		X X
11	U40962	O-RING	2		X X
12	T75984	O-RING	2		X X
13	HOUSING	2		X X
14	R30903	O-RING	1		X X
15	FITTING	1		X X (SAE-2)
16	POPPET	1		X X
17	SPRING	1		X X
18	SHIM	AR		X X
19	R28782	O-RING	1		X X
20	PLUG	1		X X
21	AH161527	SEAL	2		X X (WITH O-RING)
22	AH139060	VALVE	1		X X LESS COILS,CONNECTING TUBES AND ORIFICE
23	AH164500	ORIFICE	1		X X .457 MM DIA.
24	AH131420	SEAT KIT	2		X X
25	H145051	APERTURE	1		X X .940 MM DIA.
26	AH131421	SEAT KIT	1		X X

2F7

HYDRAULICS

SOLENOID CONTROL VALVE FOR AUGER SWING
SOLENOID CONTROL VALVE FOR REEL FORE/AFT
HP8296 -UN-31MAR99

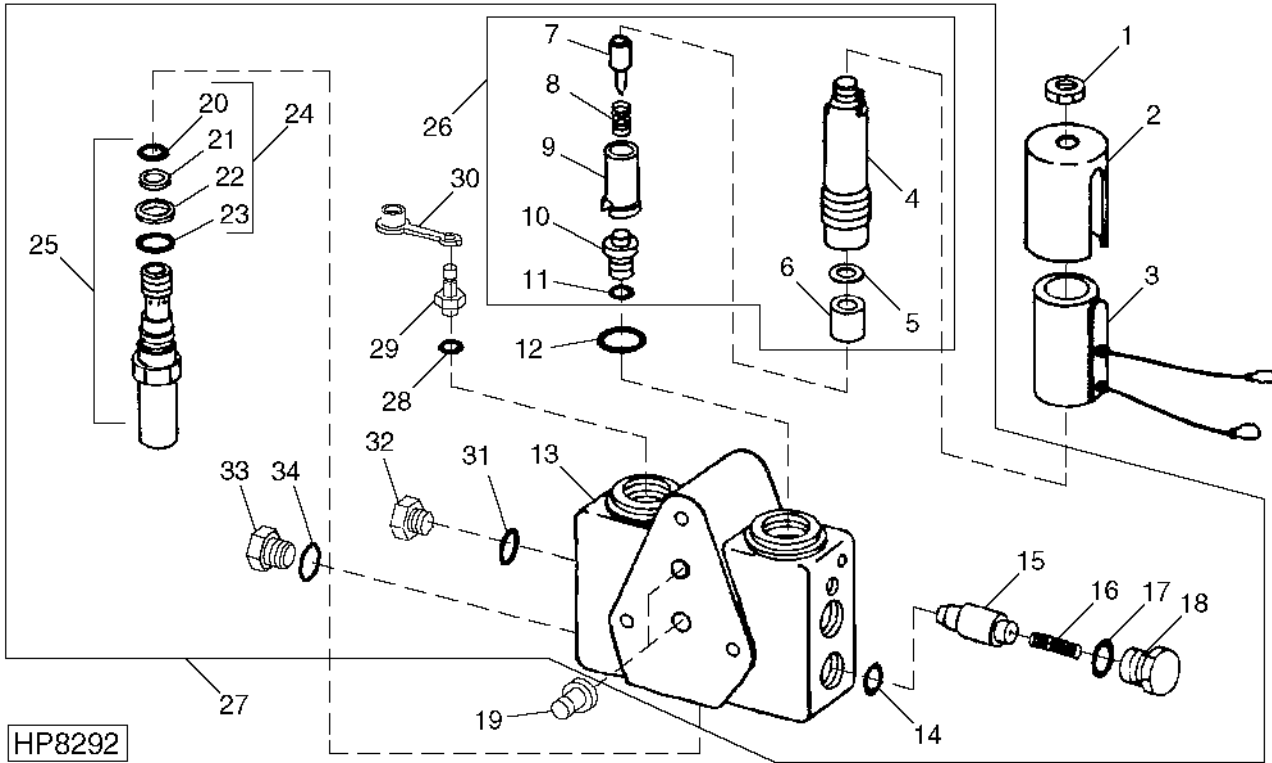


9 9
6 7
5 5
0 0

KEY	PART NO.	PART NAME	QTY	SERIAL NO.	REMARKS
1	A4655R	NUT	2	X X	
2	E62942	COVER	2	X X	
3	AH161530	ELECTRICAL COIL	2	X X	
4	SLEEVE	2	X X	
5	WASHER	2	X X	
6	E62089	SPRING	2	X X	
7	POPPET	2	X X	
8	ARMREST	2	X X	
9	SOLENOID	2	X X	
10	ORIFICE	2	X X	
11	U40962	O-RING	2	X X	
12	T75984	O-RING	2	X X	
13	HOUSING	1	X X	
14	E62094	WASHER	2	X X	
15	SPRING	2	X X	
16	R26906	O-RING	2	X X	
17	PIPE PLUG	2	X X	
18	POPPET	2	X X	
19	SPRING	2	X X	
20	U40745	O-RING	2	X X	
21	CAP	2	X X	
22	AH161526	VALVE	1	X X	
23	AH161527	SEAL	2	X X	(WITH O-RINGS)
24	AZ51851	GUIDE	2	X X	
25	AH142731	KIT	2	X X	

2F8

SOLENOID CONTROL RELIEF VALVE MODULE
HP8292 -UN-02JUL99



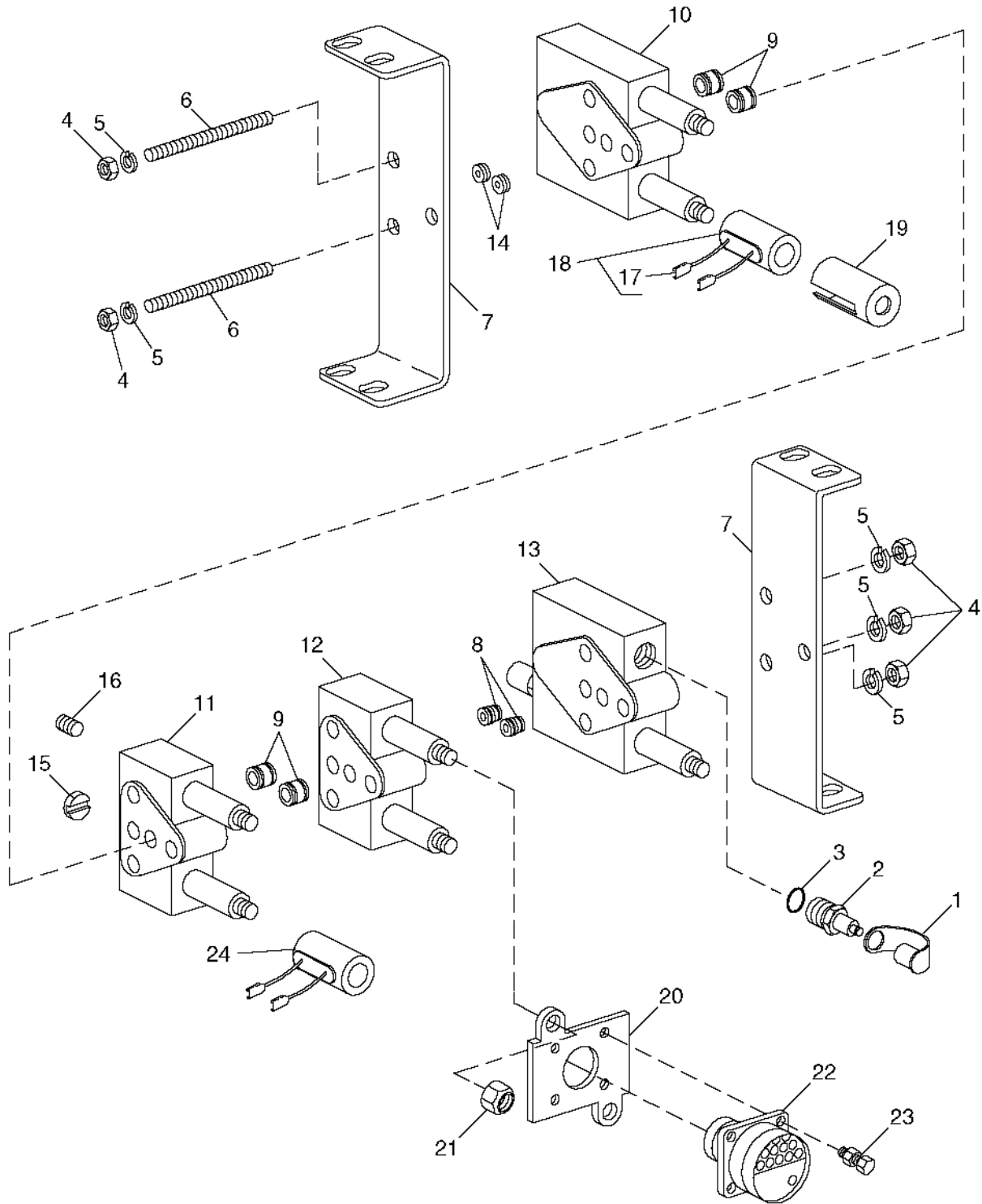
9 9
6 7
5 5
0 0

KEY	PART NO.	PART NAME	QTY	SERIAL NO.	REMARKS
1	A4655R	NUT	1	X X	12.700 MM
2	E62942	COVER	1	X X	
3	AH161530	ELECTRICAL COIL	1	X X	
4	SLEEVE	1	X X	
5	WASHER	1	X X	
6	ARMATURE	1	X X	
7	POPPET	1	X X	
8	SPRING	1	X X	
9	GUIDE	1	X X	
10	ORIFICE	1	X X	
11	U40962	O-RING	1	X X	6.071 X 1.778 MM
12	T75984	O-RING	1	X X	
13	HOUSING	1	X X	
14	R27564	O-RING	1	X X	
15	POPPET	1	X X	
16	SPRING	1	X X	
17	R26906	O-RING	1	X X	19.177 X 2.464 MM
18	PIPE PLUG	1	X X	
19	AZ50073	SEAL	2	X X	(WITH O-RINGS)
20	SEAL	1	X X	
21	O-RING	1	X X	
22	O-RING	1	X X	
23	SEAL	1	X X	
24	AH148472	SEAL KIT	1	X X	
25	AH147085	RELIEF VALVE	1	X X	
26	AH134833	KIT	1	X X	SOLENOID
27	AH164450	VALVE	1	X X	UNLOAD (RELIEF)
28	R26448	O-RING	1	X X	
29	AH125760	HYD. QUICK-CONNECT COUPLER	1	X X	
30	R77175	COVER	1	X X	
31	R28782	O-RING	1	X X	
32	R51031	FITTING	1	X X	
33	R27474	DRAIN PLUG	1	X X	
34	R26906	O-RING	1	X X	

SOLENOID CONTROL VALVE MODULE ASSEMBLY AND MOUNTINGS

FOUR STACK

HP9497 -UN-14JAN00



HP9497

2F10

HYDRAULICS

**SOLENOID CONTROL VALVE MODULE ASSEMBLY AND MOUNTINGS - CONTINUED
FOUR STACK**

KEY	PART NO.	PART NAME	QTY	SERIAL NO.	REMARKS
					9 9
					6 7
					5 5
					0 0
1	R77175	COVER	1		X X
2	AH125760	HYD. QUICK-CONNECT COUPLER	1		X X
3	R26448	O-RING	1		X X
4	14H786	NUT	6		X X 1/4"
5	12H297	LOCK WASHER	6		X X 1/4"
6	E62892	STUD	3		X X 1/4" X 11-3/4" (CUT TO LENGTH)
7	H168170	BRACKET	2		X X
8	AZ50073	SEAL	2		X X (WITH O-RING)
9	AH161527	SEAL	4		X X (WITH O-RING)
10	AH161526	VALVE	1		X X AUGER SWING
11	AH139060	VALVE	1		X X REEL LIFT/VSC
12	AH147084	VALVE	1		X X HEADER LIFT
13	AH164450	VALVE	1		X X UNLOAD (RELIEF)
14	AH161529	SEAL	2		X X
15	H145051	APERTURE	1		X X .940 MM DIA.
16	AH164500	ORIFICE	1		X X .457 MM DIA.
17	R77464	PIN CONTACT	AR		X X (PACKAGE OF 50)
18	AH161530	ELECTRICAL COIL	3		X X (USE ON MODULES 10 AND 13)
19	E62942	COVER	7		X X
20	H168171	COVER	2		X X PLATE
21	A4655R	NUT	7		X X
22	57M7199	RECEPTACLE	2		X X (24 WAY)
23	21H1290	SCREW	8		X X 0.138" X 1/2"
	14H1026	NUT	8		X X 0.138"
24	AH124731	ELECTRICAL COIL	4		X X (USE ON MODULES 11 AND 12)

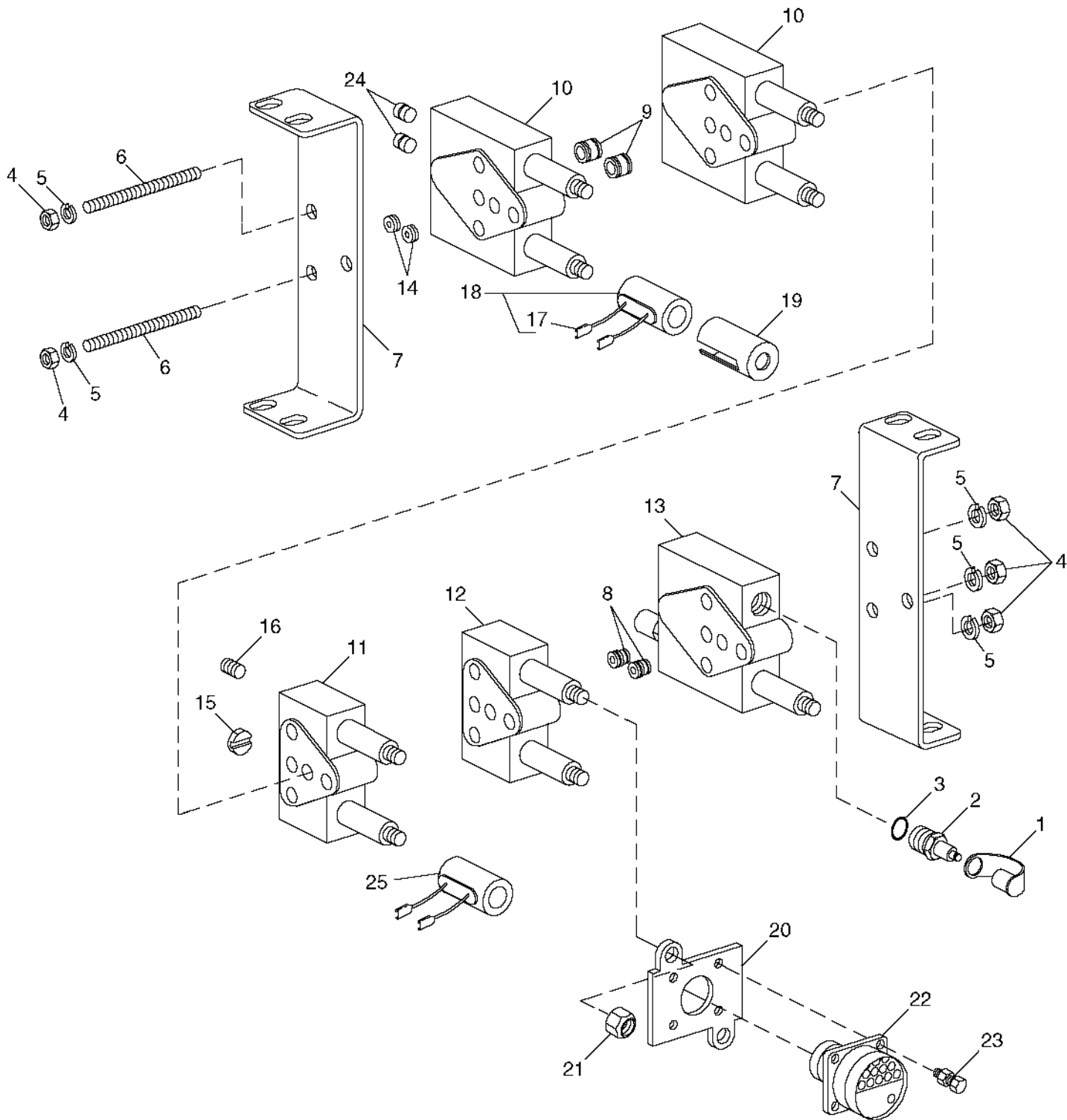
2F11

HYDRAULICS

SOLENOID CONTROL VALVE MODULE ASSEMBLY AND MOUNTINGS

FIVE STACK

HP9498 -UN-14JAN00



HP9498

2F12

HYDRAULICS

**SOLENOID CONTROL VALVE MODULE ASSEMBLY AND MOUNTINGS - CONTINUED
FIVE STACK**

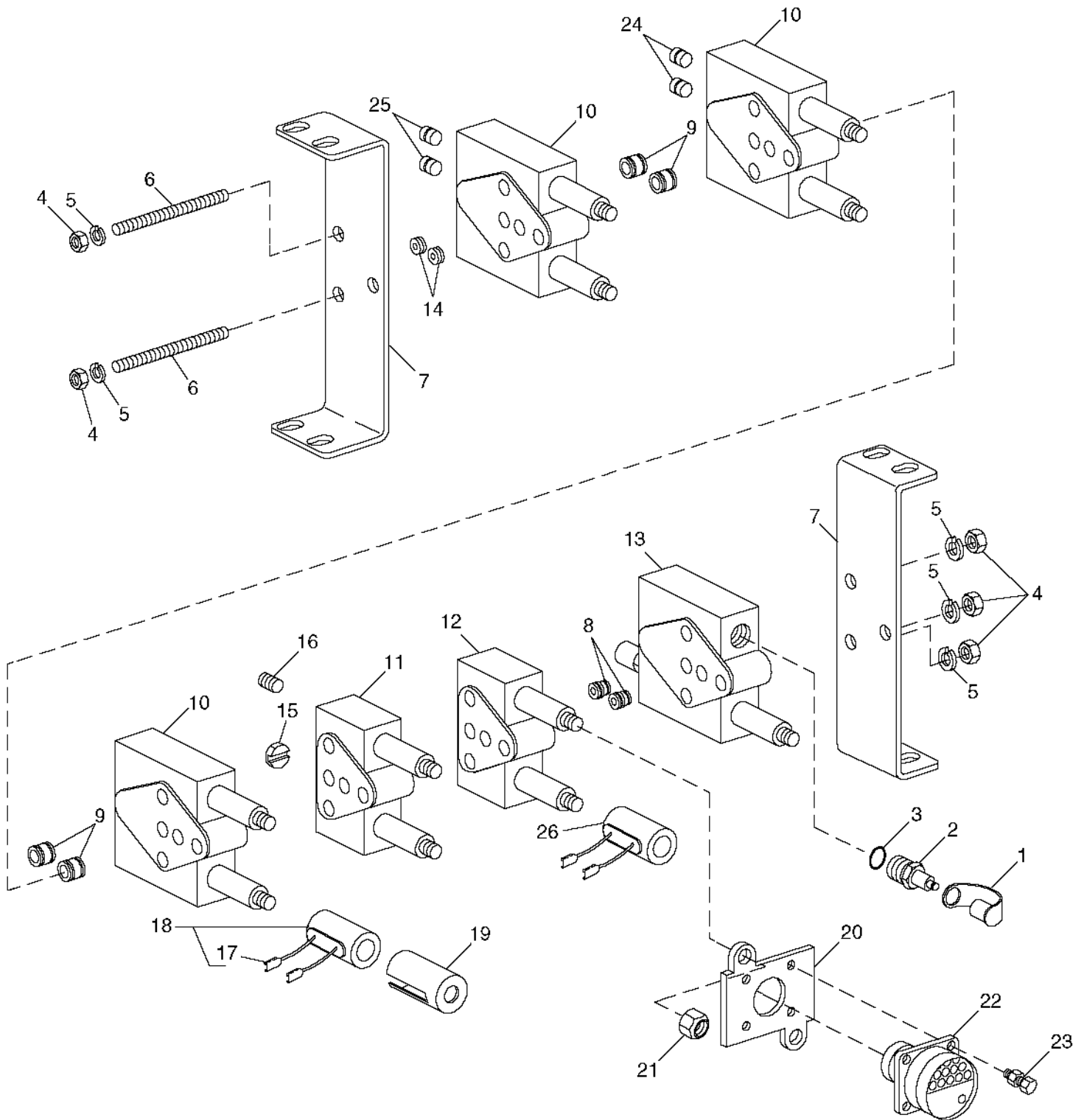
KEY	PART NO.	PART NAME	QTY	SERIAL NO.	REMARKS
				9 9	
				6 7	
				5 5	
				0 0	
1	R77175	COVER	1	X X	
2	AH125760	HYD. QUICK-CONNECT COUPLER	1	X X	
3	R26448	O-RING	1	X X	
4	14H786	NUT	6	X X	1/4"
5	12H297	LOCK WASHER	6	X X	1/4"
6	E62892	STUD	3	X X	1/4" X 11-3/4" (CUT TO LENGTH)
7	H168170	BRACKET	2	X X	
8	AZ50073	SEAL	2	X X	(WITH O-RING)
9	AH161527	SEAL	6	X X	(WITH O-RING)
10	AH161526	VALVE	2	X X	REEL FORE/AFT AND AUGER EXTEND/RETRACT
11	AH139060	VALVE	1	X X	REEL LIFT/VSC
12	AH147084	VALVE	1	X X	HEADER LIFT
13	AH164450	VALVE	1	X X	UNLOAD (RELIEF)
14	AH161529	SEAL	2	X X	
15	H145051	APERTURE	1	X X	.940 MM DIA.
16	AH164500	ORIFICE	1	X X	.457 MM DIA.
17	R77464	PIN CONTACT	AR	X X	(PACKAGE OF 50)
18	AH161530	ELECTRICAL COIL	5	X X	(USE ON MODULES 10 AND 13)
19	E62942	COVER	9	X X	
20	H168171	COVER	2	X X	PLATE
21	A4655R	NUT	7	X X	
22	57M7199	RECEPTACLE	2	X X	(24 WAY)
23	21H1290	SCREW	8	X X	0.138" X 1/2"
	14H1026	NUT	8	X X	0.138"
24	H135777	ORIFICE	2	X X	0.76MM DIA.
25	AH124731	ELECTRICAL COIL	4	X X	(USE ON MODULES 11 AND 12)

2F13

HYDRAULICS

SIX STACK SOLENOID CONTROL VALVE MODULE ASSEMBLY AND MOUNTINGS

HP9499 -UN-14JAN00



HP9499

2F14

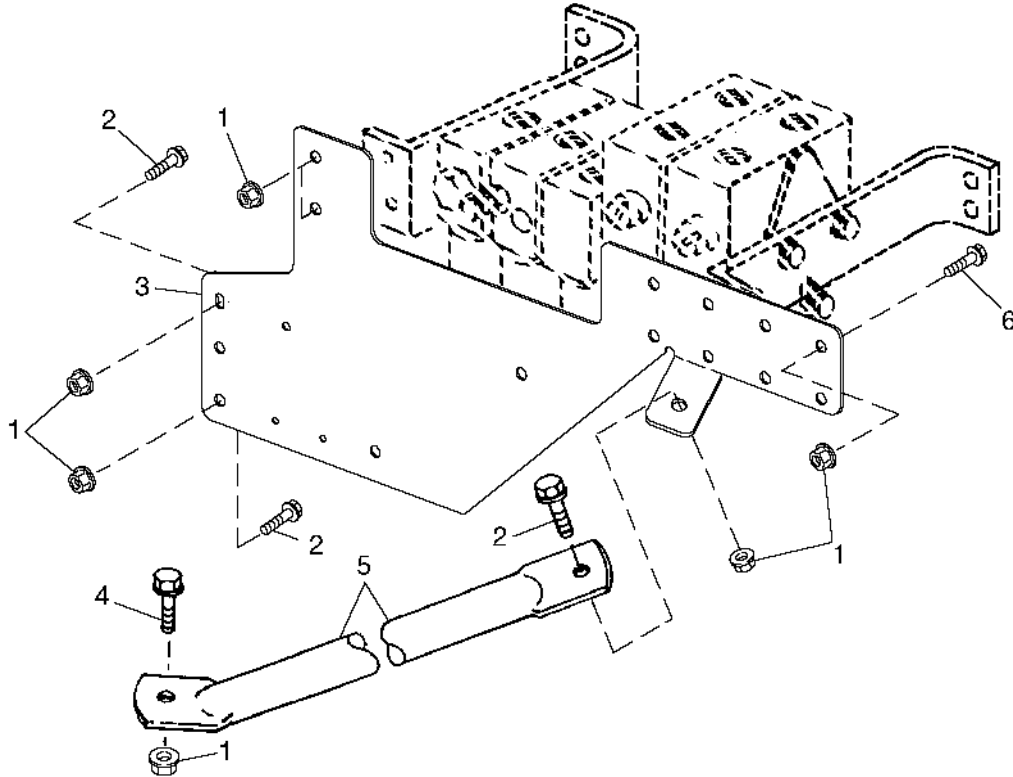
HYDRAULICS

**SOLENOID CONTROL VALVE MODULE ASSEMBLY AND MOUNTINGS - CONTINUED
SIX STACK**

KEY	PART NO.	PART NAME	QTY	SERIAL NO.	REMARKS
				9 9	
				6 7	
				5 5	
				0 0	
1	R77175	COVER	1	X X	PLATE
2	AH125760	HYD. QUICK-CONNECT COUPLER	1	X X	
3	R26448	O-RING	1	X X	
4	14H786	NUT	6	X X	1/4"
5	12H297	LOCK WASHER	6	X X	1/4"
6	E62892	STUD	3	X X	1/4" X 11-3/4" (CUT TO LENGTH)
7	H168170	BRACKET	2	X X	
8	AZ50073	SEAL	2	X X	(WITH O-RING)
9	AH161527	SEAL	8	X X	(WITH O-RING)
10	AH161526	VALVE	3	X X	(1) REEL FORE/AFT (1) AUGER SWING (1) CONTOUR MASTER
11	AH139060	VALVE	1	X X	REEL LIFT/VSC
12	AH147084	VALVE	1	X X	HEADER LIFT
13	AH164450	VALVE	1	X X	UNLOAD (RELIEF)
14	AH161529	SEAL	2	X X	
15	H145051	APERTURE	1	X X	.940 MM DIA.
16	AH164500	ORIFICE	1	X X	.457 MM DIA.
17	R77464	PIN CONTACT	AR	X X	(PACKAGE OF 50)
18	AH161530	ELECTRICAL COIL	7	X X	(USE ON MODULES 10 AND 13)
19	E62942	COVER	11	X X	
20	H168171	COVER	2	X X	
21	A4655R	NUT	7	X X	
22	57M7199	RECEPTACLE	2	X X	(24 WAY)
23	21H1290	SCREW	8	X X	0.138" X 1/2"
	14H1026	NUT	8	X X	0.138"
24	H135777	ORIFICE	2	X X	0.76MM DIA.
25	Z60904	ORIFICE	2	X X	0.66 MM DIA.
26	AH124731	ELECTRICAL COIL	4	X X	(USE ON MODULES 11 AND 12)

2F15

SOLENOID CONTROL VALVE BRACKETS
 HP8082 -UN-03MAR99



HP8082

9 9
 6 7
 5 5
 0 0

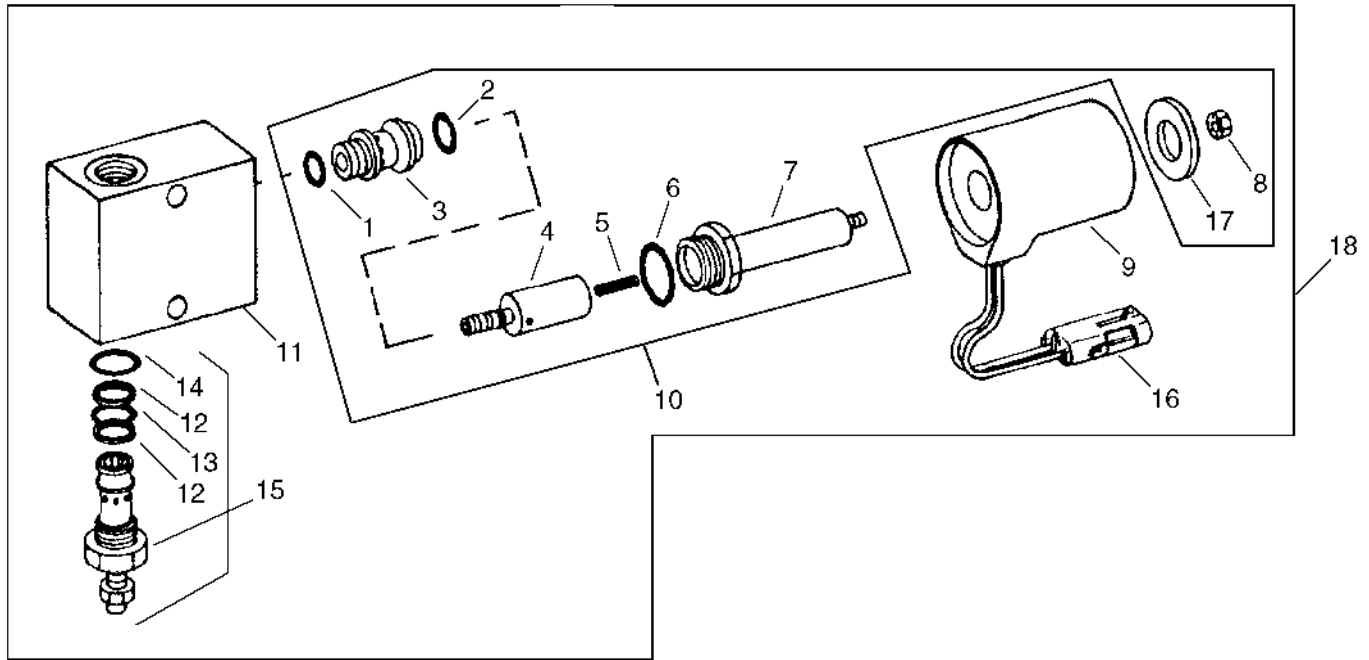
KEY	PART NO.	PART NAME	QTY	SERIAL NO.	REMARKS
1	14M7298	FLANGE NUT	8	X X	M8
2	19M7866	SCREW	2	X X	M8 X 20
3	H166148	BRACKET	1	X X	
4	19M7803	SCREW	1	X X	M8 X 70
5	H158638	BRACE	1	X X	
6	19M7897	SCREW	4	X X	M8 X 35

2F16

HYDRAULICS

ACTIVE HEADER HEIGHT CONTROL VALVE

HP8033 -UN-21APR99



HP8033

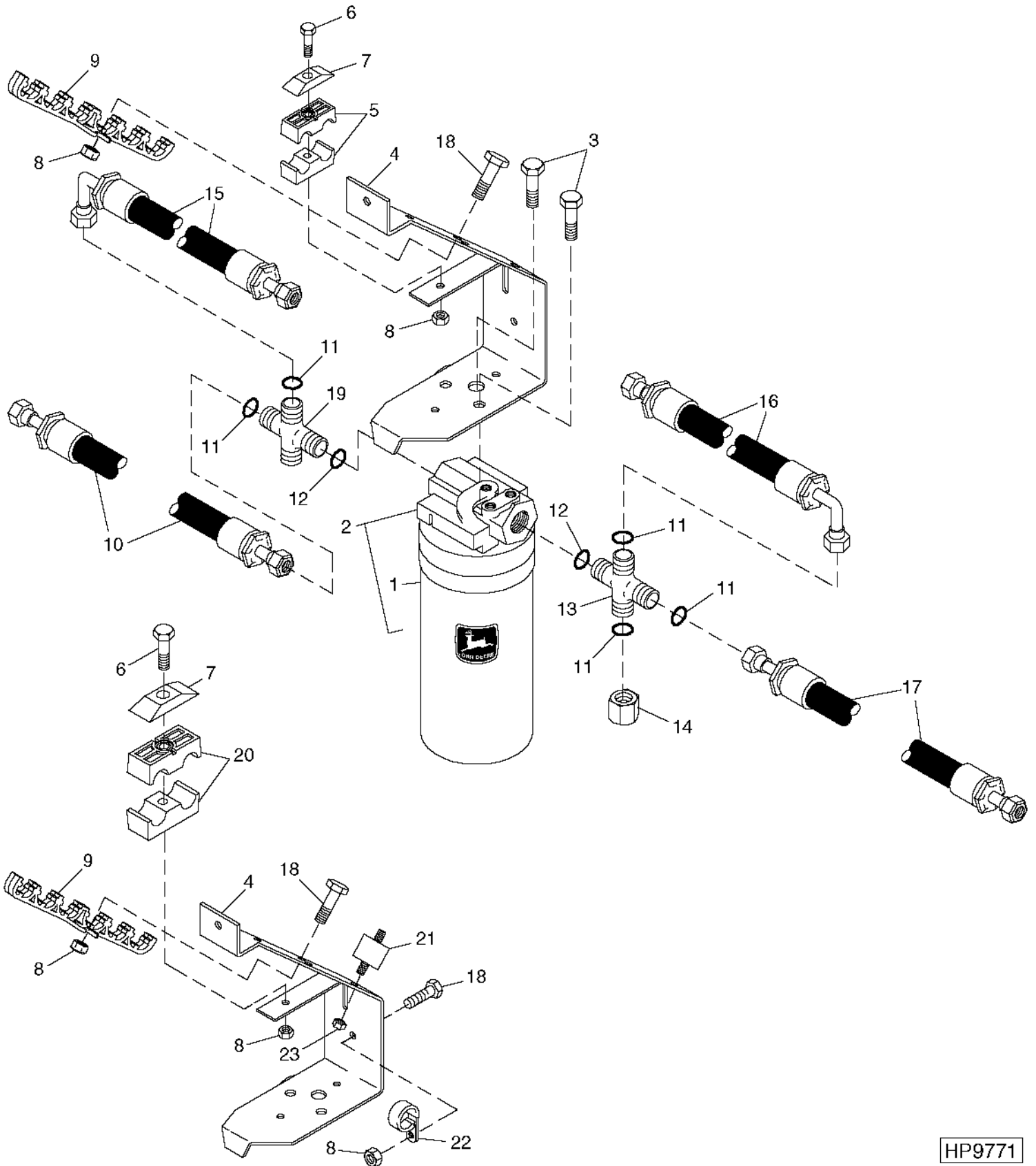
KEY	PART NO.	PART NAME	QTY	SERIAL NO.	REMARKS
				9 9	
				6 7	
				5 5	
				0 0	
1	R28776	O-RING	1	X X	
2	T75984	O-RING	1	X X	
3	VALVE SPOOL	1	X X	
4	PLUNGER	1	X X	
5	SPRING	1	X X	
6	R27928	O-RING	1	X X	
7	GUIDE	1	X X	
8	14H866	NUT	1	X X	5/8"
9	AH131572	ELECTRICAL COIL	1	X X	
10	AH131571	VALVE	1	X X	
11	H135964	HOUSING	1	X X	
12	BACK-UP RING	2	X X	
13	O-RING	1	X X	
14	R26906	O-RING	1	X X	
15	AH131570	VALVE	1	X X	
16	R78053	PIN CONTACT CONNECTOR BODY	1	X X	(PKG OF 3)
	R78059	ELECTRICAL PLUG	1	X X	(PKG OF 40)
	R78061	PIN CONTACT	1	X X	(PKG OF 40)
17	24H1368	WASHER	1	X X	21/32" X 1-5/16" X 0.090"
18	AH125910	SOLENOID VALVE	1	X X	

2F17

HYDRAULICS

MAIN HYDRAULIC FILTER ASSEMBLY AND HOSES, BUNDLE SUPPORTS

HP9771 -UN-23MAY00



HP9771

2F18

HYDRAULICS

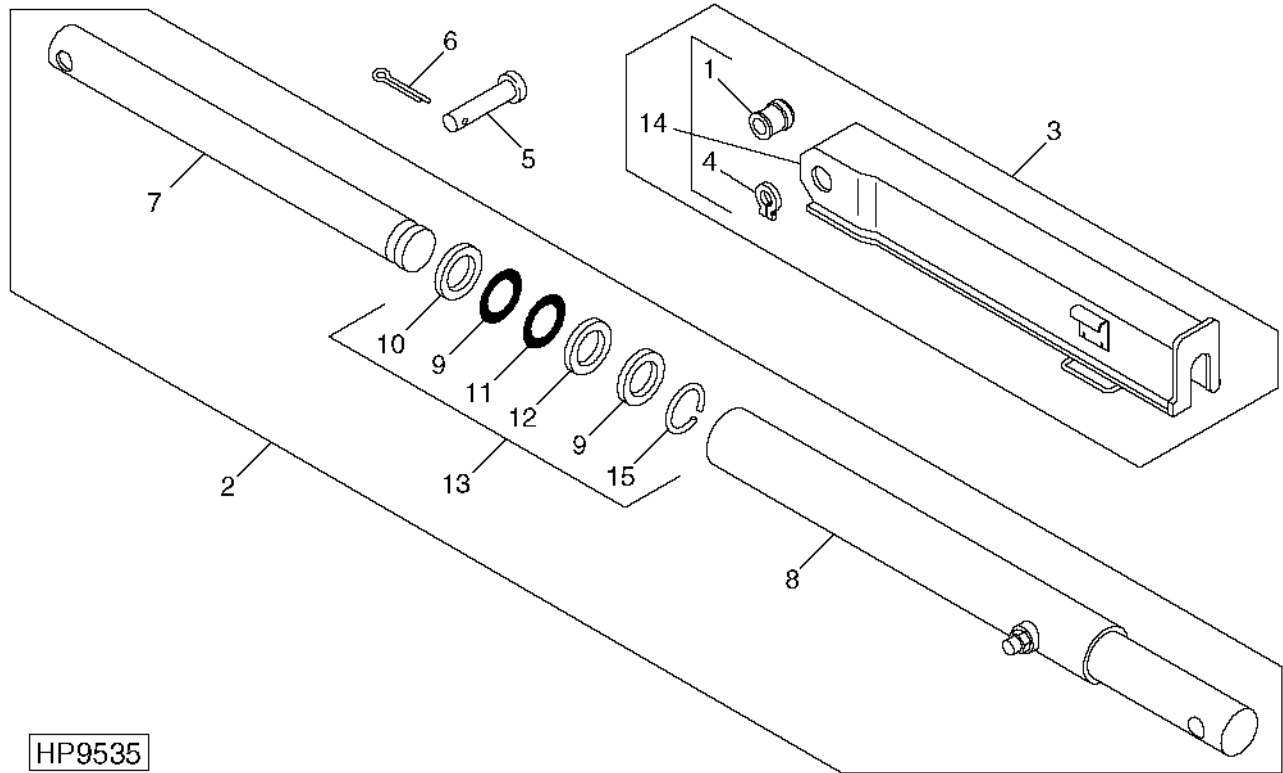
MAIN HYDRAULIC FILTER ASSEMBLY AND HOSES, BUNDLE SUPPORTS - CONTINUED

KEY	PART NO.	PART NAME	QTY	SERIAL NO.	REMARKS
				9 9	
				6 7	
				5 5	
				0 0	
1	AH128449	HYDRAULIC FILTER	1	X X	
2	AH125733	FILTER	1	X X	
3	19M7784	SCREW	2	X X	M10 X 20
4	H166750	BRACKET	2	X X	
5	H114897	CLAMP	2	X X	
6	19M7801	SCREW	2	X X	M8 X 60
7	H112567	PLATE	2	X X	
8	14M7298	FLANGE NUT	6	X X	M8
9	H163410	HOSE CLAMP	2	X X	
10	AH153756	HYDRAULIC HOSE	1	X X	
11	T77858	O-RING	5	X X	
12	R29936	O-RING	2	X X	
13	AH132031	FITTING	1	X X	
14	38H1418	FITTING PLUG	1	X X	
15	AH161787	HYDRAULIC HOSE	1	X X	
16	AH162472	HYDRAULIC HOSE	1	X X	
17	AH161786	HYDRAULIC HOSE	1	X X	
18	19M7866	SCREW	4	X X	M8 X 20
19	38H1438	TEE FITTING	1	X X	WITHOUT POWER REAR WHEELS
	AH132031	FITTING	1	X X	WITH POWER REAR WHEELS
20	H159793	CLAMP	2	X X	
21	AH126657	ISOLATOR	2	X X	
22	T27550	CLIP	1	X X	
23	N10217	LOCK NUT	2	X X	

2F19

HYDRAULICS

HEADER LIFT HYDRAULIC CYLINDER
HP9535 -UN-22FEB00



9 9
6 7
5 5
0 0

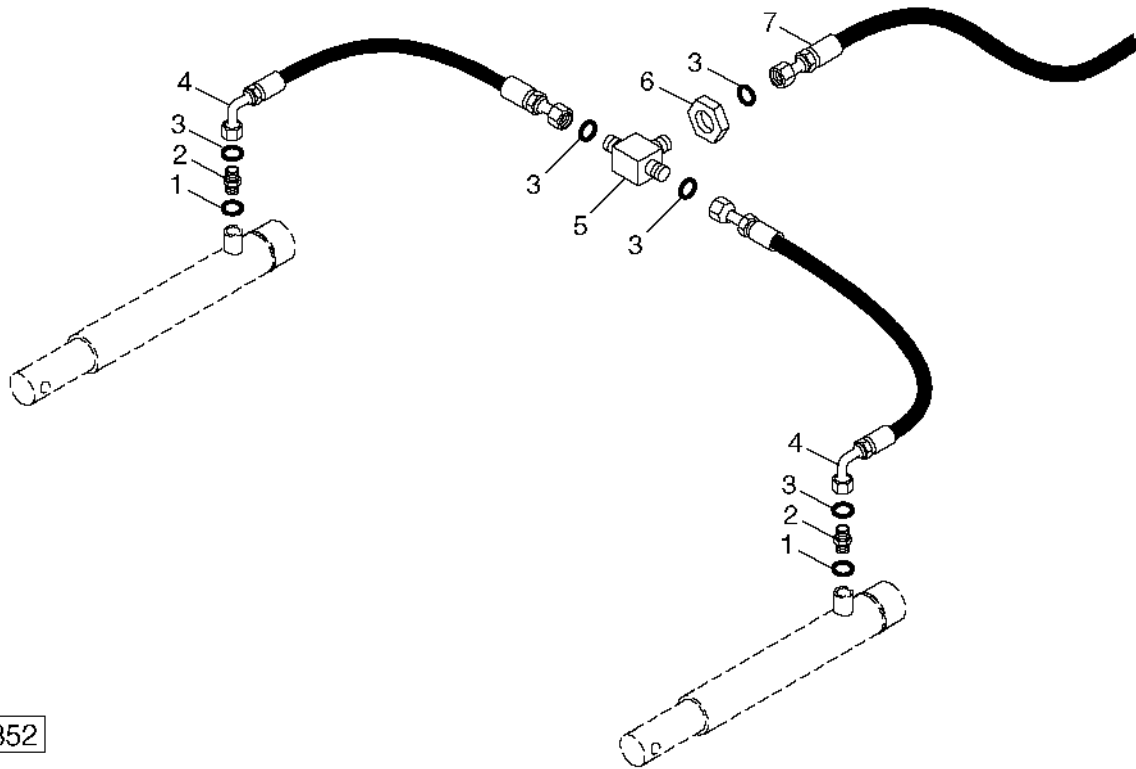
KEY	PART NO.	PART NAME	QTY	SERIAL NO.	REMARKS
1	H150054	BUSHING	2	X X	
2	AH154468	HYDRAULIC CYLINDER	1	X	63MM
	AH154469	HYDRAULIC CYLINDER	1	X X	70MM
3	AH160970	STOP	1	X X	
4	40M1835	SNAP RING	2	X X	
5	H166421	PIN	1	X X	
6	H167311	COTTER PIN	1	X X	
7	ROD	1	X X	
8	HYDRAULIC CYLINDER BARREL	1	X X	
9	WEAR RING	2	X X	
10	SEAL	1	X X	
11	H152205	SEAL	1	X	63MM
	H158436	SEAL	1	X X	70MM
12	AH146563	SEAL	1	X	63MM
	AH150932	SEAL	1	X X	70MM
13	AH162433	HYDRAULIC CYLINDER KIT	1	X	63MM
	AH162434	HYDRAULIC CYLINDER KIT	1	X X	70MM
14	AH155662	STOP	1	X X	
15	SNAP RING	1	X X	

2F20

HYDRAULICS

HEADER LIFT HOSES AND FITTINGS

HP8852 -UN-23JUL99



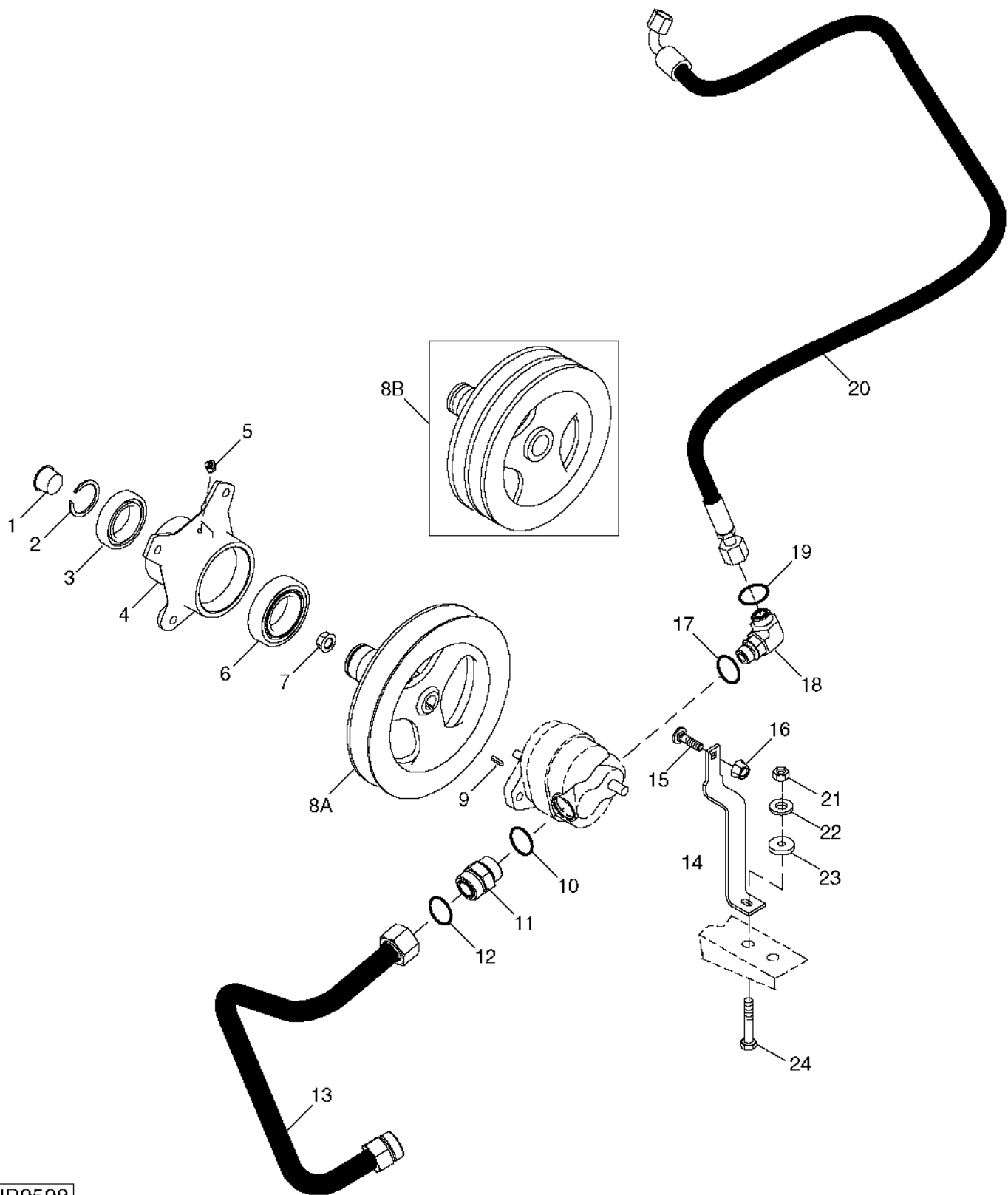
HP8852

KEY	PART NO.	PART NAME	QTY	SERIAL NO.	REMARKS
				9 9	
				6 7	
				5 5	
				0 0	
1	R26375	O-RING	2		X X
2	38H1161	ADAPTER	2		X X
3	T77857	O-RING	5		X X
4	AH165794	HYDRAULIC HOSE	2		X X
5	38H1292	TEE FITTING	1		X X
6	T78716	NUT	1		X X
7	AH165793	HYDRAULIC HOSE	1		X X

2F21

REEL / BELT PICKUP PUMP MOUNTING AND SHEAVE

HP9598 -UN-09MAR00



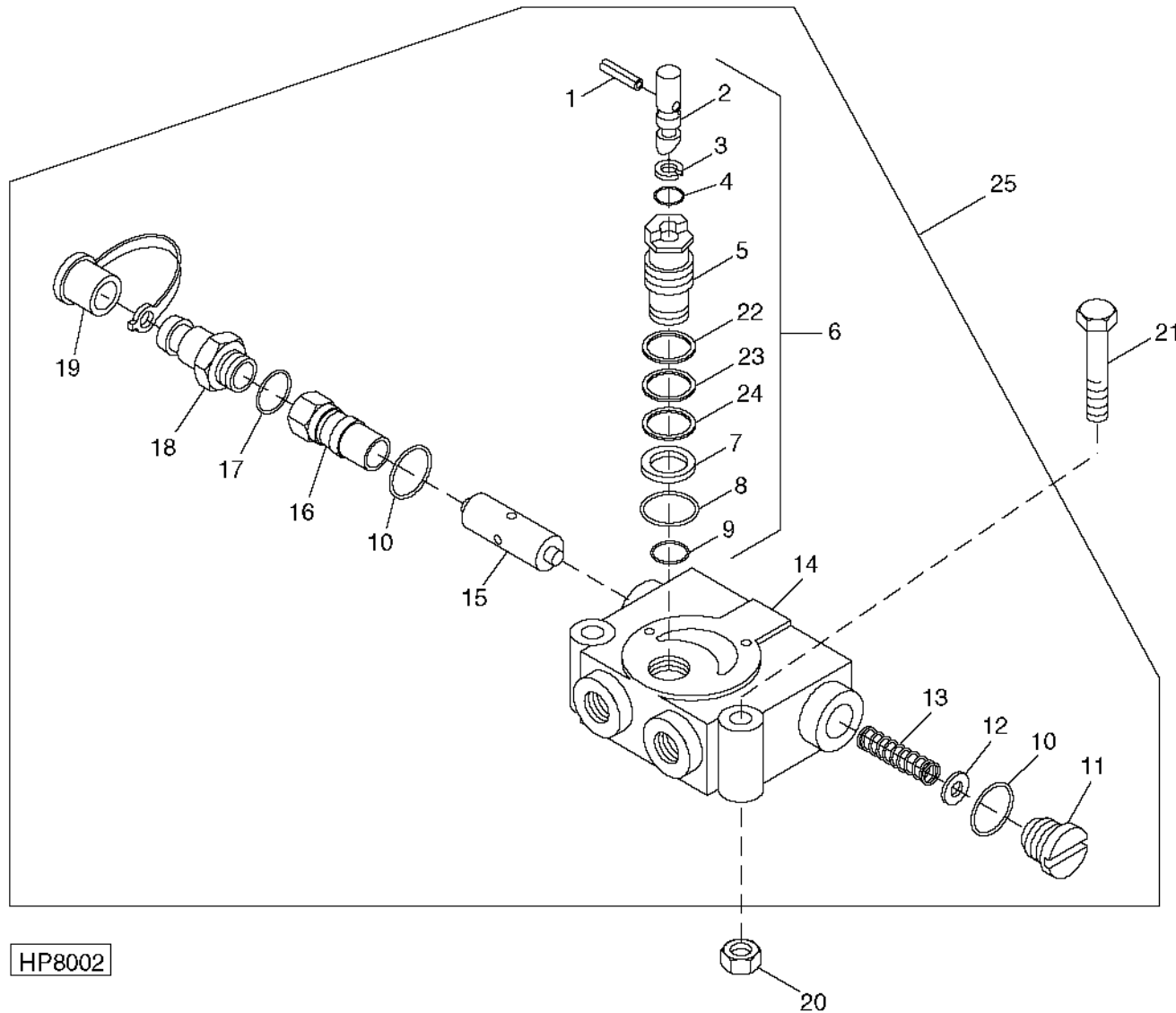
HP9598

REEL / BELT PICKUP PUMP MOUNTING AND SHEAVE - CONTINUED

KEY	PART NO.	PART NAME	QTY	SERIAL NO.	REMARKS
				9 9	
				6 7	
				5 5	
				0 0	
1	B2984R	PLUG	1	X X	
2	BP13616	SNAP RING	1	X X	
3	AZ20216	BALL BEARING	1	X X	
4	H132938	HUB	1	X X	
5	JD7788	LUBRICATION FITTING	1	X X	
6	JD10312	BALL BEARING	1	X X	
7	E59406	FLANGE NUT	1	X X	
8A	H132937	SHEAVE	1	X X	STANDARD CAPACITY
8B	H157101	SHEAVE	1	X X	HI CAPACITY
9	N34986	SHAFT KEY	1	X X	
10	R29936	O-RING	1	X X	
11	38H1164	ADAPTER	1	X X	
12	T76938	O-RING	1	X X	
13	AH162617	LINE	1	X X	
14	H159155	STRAP	1	X X	
15	03M7186	BOLT	2	X X	M8 X 30
16	14M7396	LOCK NUT	2	X X	M8
17	T77932	O-RING	1	X X	
18	38H1006	ELBOW FITTING	1	X X	
19	R26906	O-RING	1	X X	
20	AH153805	HYDRAULIC HOSE	1	X X	
21	14M7396	LOCK NUT	1	X X	M8
22	24M7024	WASHER	1	X X	9 X 28 X 3 MM
23	H113751	PAD	1	X X	
24	19M7868	SCREW	1	X X	M8 X 30

2F23

REEL DRIVE FLOW CONTROL VALVE
HP8002 -UN-02MAR99



HP8002

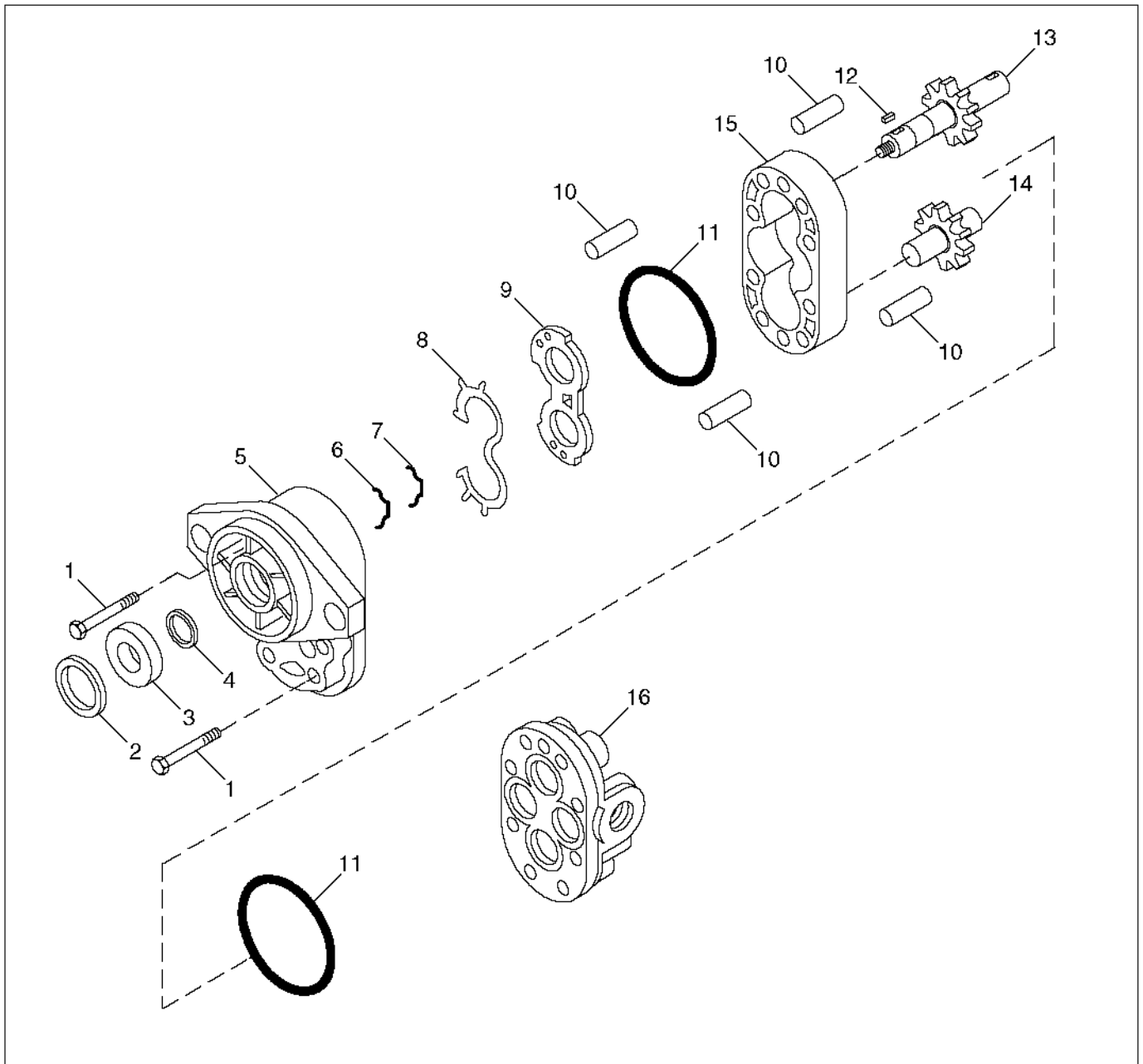
2F24

HYDRAULICS

REEL DRIVE FLOW CONTROL VALVE - CONTINUED

KEY	PART NO.	PART NAME	QTY	SERIAL NO.	REMARKS
				9 9	
				6 7	
				5 5	
				0 0	
1	GROOVE PIN	1	X X	
2	STEM	1	X X	
3	BACK-UP RING	1	X X	(A)
4	O-RING	1	X X	(A)
5	PLUG	1	X X	
6	AH140903	KIT	1	X X	
7	BACK-UP RING	1	X X	(A)
8	O-RING	1	X X	(A)
9	O-RING	1	X X	(A)
10	H63289	O-RING	2	X X	(A)
11	PLUG	1	X X	
12	SHIM	1	X X	
13	SPRING	1	X X	
14	HOUSING	1	X X	
15	SPOOL	1	X X	
16	PLUG	1	X X	
17	R26448	O-RING	1	X X	(A)
18	AH125760	HYD. QUICK-CONNECT COUPLER	1	X X	DIAGNOSTIC
19	R77175	COVER	1	X X	
20	14M7298	FLANGE NUT	2	X X	M8
21	19M7801	SCREW	2	X X	M8 X 60
22	SHIM	AR	X X	
23	SHIM	AR	X X	
24	SHIM	AR	X X	
25	AH140902	CHECK VALVE	1	X X	
..	AH136248	SEAL KIT	1	X X	INCLUDES PARTS MARKED (A)

REEL / BELT PICKUP DRIVE, CHAFF SPREADER PUMP
HP8488 -UN-20APR99



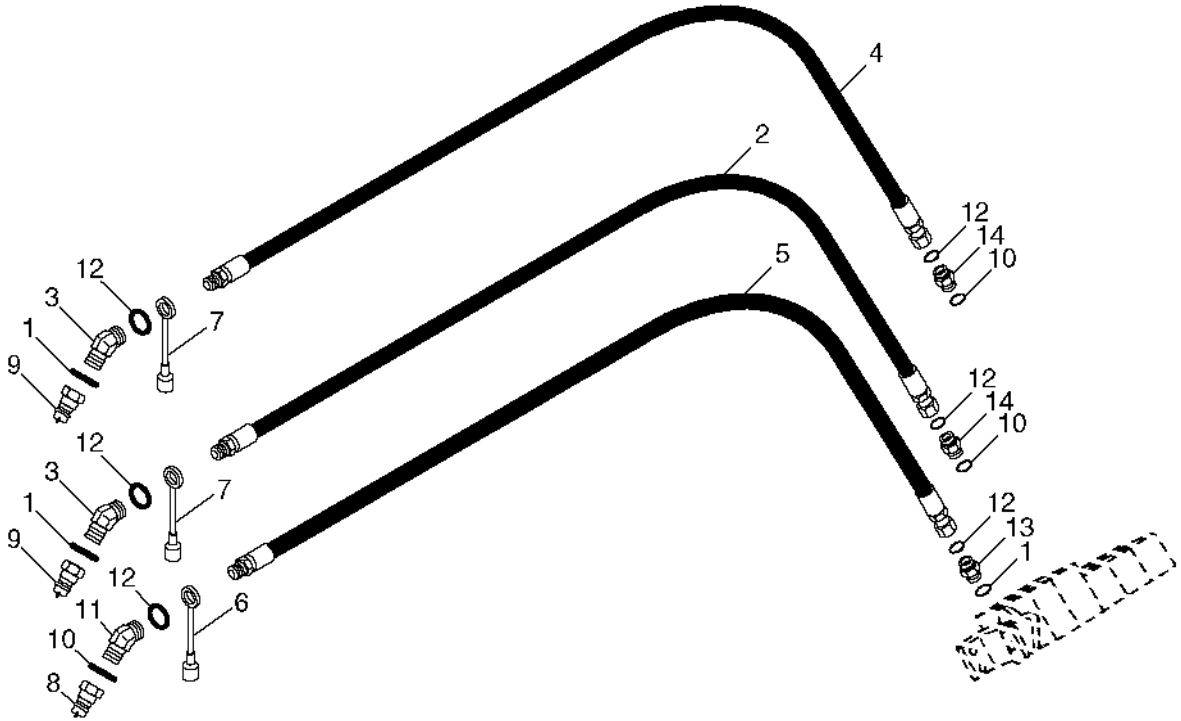
HP8488

REEL / BELT PICKUP DRIVE, CHAFF SPREADER PUMP - CONTINUED

KEY	PART NO.	PART NAME	QTY	SERIAL NO.	REMARKS
				9 9	
				6 7	
				5 5	
				0 0	
1	E61791	BOLT	8		
2	M41029	SNAP RING	1		(A)
3	AH131842	SEAL	1		(A)
4	M48869	WASHER	1		(A)
5	PLATE	1		
6	SEAL	1		(A)
7	GASKET	1		(A)
8	GASKET	1		(A)
9	WEAR PLATE	1		(A)
10	H116213	DOWEL PIN	4		
11	H80821	O-RING	2		(A)
12	N34986	SHAFT KEY	1		
13	AH131304	SHAFT	1		
14	GEAR	1		
15	HOUSING	1		
16	PLATE	1		
17	AH131178	HYDRAULIC PUMP	1		(EATON R25305-RAK) - REMANUFACTURED
..	AH131176	SEAL KIT	1		INCLUDES PARTS MARKED (A)

REEL LIFT AND REEL POSITION HOSES

HP9586 -UN-17FEB00



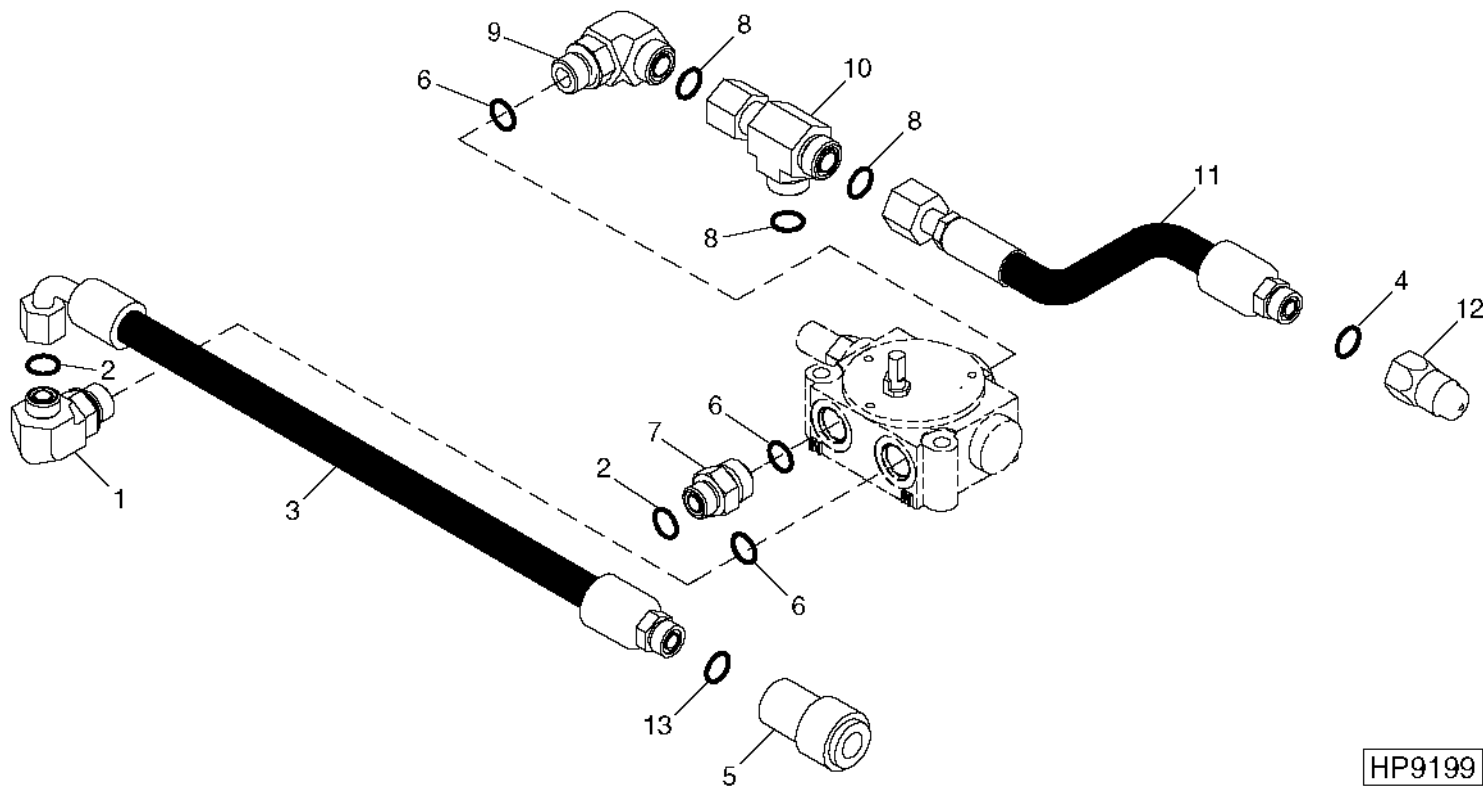
HP9586

KEY	PART NO.	PART NAME	QTY	SERIAL NO.	REMARKS
				9 9	
				6 7	
				5 5	
				0 0	
1	R26448	O-RING	3	X X	
2	AH162564	HYDRAULIC HOSE	1	X X	RETRACT
3	38H1045	ELBOW FITTING	2	X X	
4	AH162565	HYDRAULIC HOSE	1	X X	EXTEND
5	AH162547	HYDRAULIC HOSE	1	X X	LIFT
6	A15898	CAP	1	X X	
7	AH124832	CAP	3	X X	
8	AR94522	INTERNAL HALF COUPLER	1	X X	
9	AH116632	HYD. QUICK-CONNECT COUPLER	2	X X	
10	R26375	O-RING	3	X X	
11	38H1522	ELBOW FITTING	1	X X	
12	T77613	O-RING	6	X X	
13	38H1160	ADAPTER	1	X X	
14	38H1171	ADAPTER	2	X X	

2G4

HYDRAULICS

REEL DRIVE HOSES
HP9199 -UN-26OCT99



HP9199

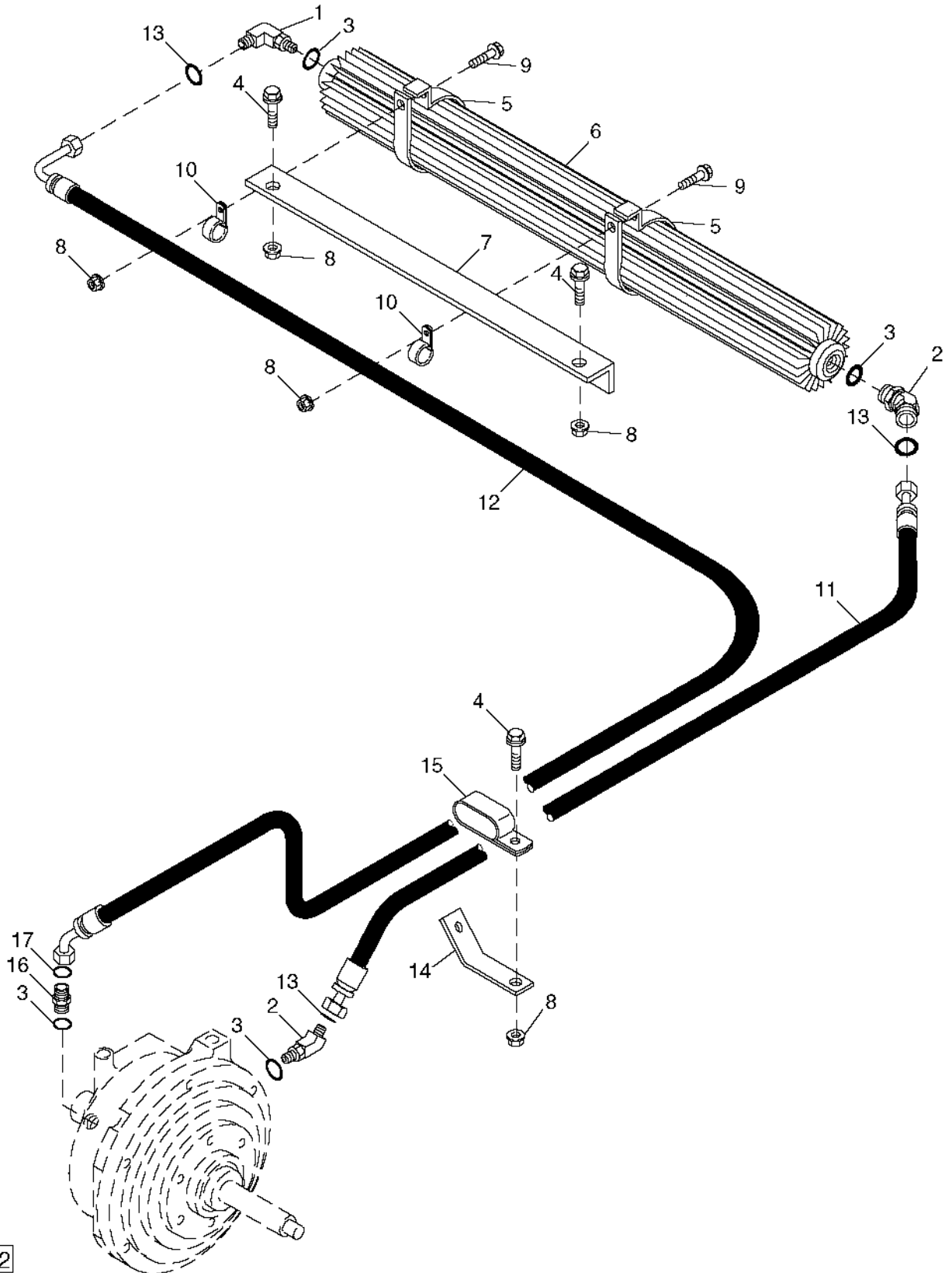
KEY	PART NO.	PART NAME	QTY	SERIAL NO.	9 6 5 0	REMARKS
1	38H1012	ELBOW FITTING	1		X X	
2	T77857	O-RING	2		X X	
3	AH167798	HYDRAULIC HOSE	1		X X	(SUB FOR AH162618)
4	R26375	O-RING	1		X X	
5	AH75167	HYD. QUICK-CONNECT COUPLER	1	-XXXXXX	X X	
	AW25301	EXTERNAL HALF COUPLER	1	XXXXXX-		
6	R26906	O-RING	3		X X	
7	38H1174	ADAPTER	1		X X	
8	T77932	O-RING	3		X X	
9	38H1006	ELBOW FITTING	1		X X	
10	38H1032	TEE FITTING	1		X X	
11	AH162619	HYDRAULIC HOSE	1		X X	
12	AR94522	INTERNAL HALF COUPLER	1		X X	
13	R26375	O-RING	1	-XXXXXX	X X	
	R26906	O-RING	1	XXXXXX-	X X	

2G5

HYDRAULICS

FEEDER HOUSE GEARCASE OIL COOLER AND HOSES

HP8052 -UN-09MAR99

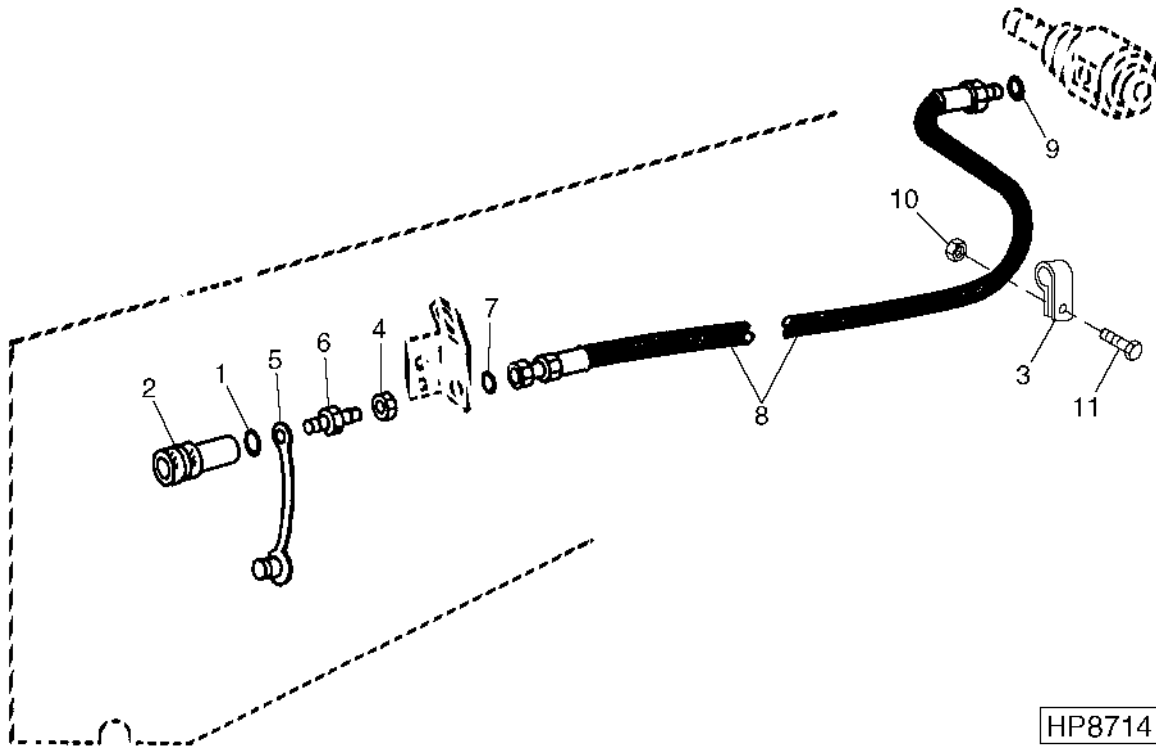


HP8052

FEEDER HOUSE GEARCASE OIL COOLER AND HOSES - CONTINUED

KEY	PART NO.	PART NAME	QTY	SERIAL NO.	REMARKS
				9 9	
				6 7	
				5 5	
				0 0	
1	38H1005	ELBOW FITTING	1	X X	
2	38H1046	ELBOW FITTING	2	X X	
3	R26375	O-RING	4	X X	
4	19M7866	SCREW	3	X X	M8 X 20
5	R111156	CLIP	2	X X	
6	AH150687	OIL COOLER	1	X X	
7	H163182	ANGLE	1	X X	
8	14M7298	FLANGE NUT	5	X X	M8
9	19M7800	SCREW	2	X X	M8 X 50
10	AH89486	CLIP	2	X X	
11	AH161825	HYDRAULIC HOSE	1	X X	
12	AH157387	HYDRAULIC HOSE	1	X X	
13	T77857	O-RING	3	X X	
14	H163604	BRACKET	1	X X	
15	AH97280	CLIP	1	X X	
16	38H1171	ADAPTER	1	X X	
17	T77613	O-RING	1	X X	

FEEDER HOUSE VARIABLE DRIVE HYDRAULIC HOSE
 HP8714 -UN-12JUL99



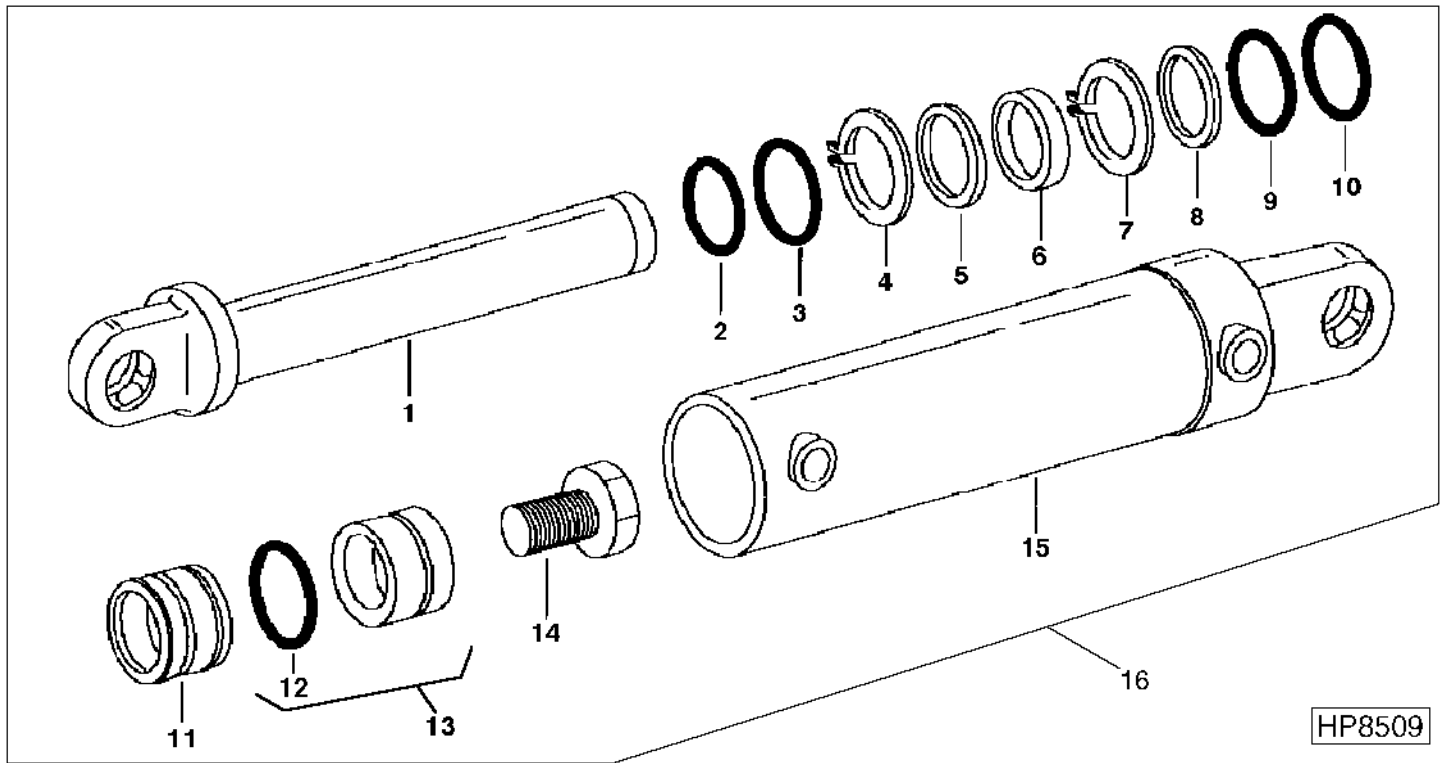
9 9
 6 7
 5 5
 0 0

KEY	PART NO.	PART NAME	QTY	SERIAL NO.	REMARKS
1	R26375	O-RING	1	X X	
2	AH75167	HYD. QUICK-CONNECT COUPLER	1	X X	(INCLUDES INTERNAL O-RING)
3	T27523	CLAMP	2	X X	
4	T81029	NUT	1	X X	
5	H125403	PLUG	1	X X	
6	AH121643	ORIFICE	1	X X	
7	T77613	O-RING	1	X X	
8	AH131332	HYDRAULIC HOSE	1	X X	6.4MM ID BY 900MM LONG 7/16-20
9	R28782	O-RING	1	X X	
10	14M7298	FLANGE NUT	1	X X	M8
11	03M7186	BOLT	1	X X	M8 X 30

2G8

HYDRAULICS

TILT CYLINDER - CONTOUR MASTER
HP8509 -UN-21APR99

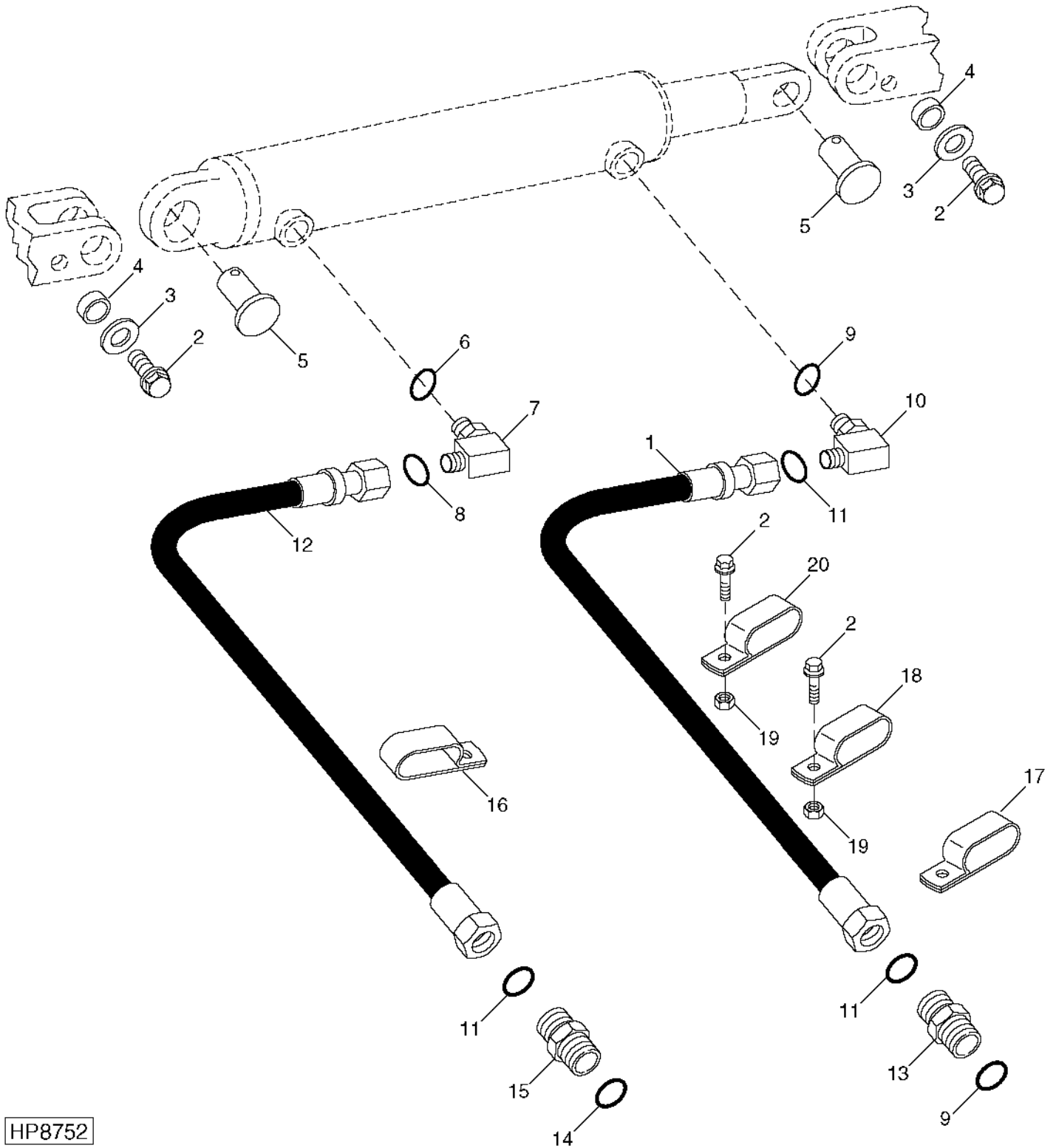


KEY	PART NO.	PART NAME	QTY	SERIAL NO.	REMARKS
1	AH144482	ROD	1		
2	P45750	O-RING	1		
	T22828	O-RING	1		(A)
3	H150411	SEAL	1		(A)
4	R90565	SNAP RING	1		
5	H169509	BACK-UP RING	1		(A)
6	H150412	SEAL	1		(A)
7	R82571	SNAP RING	1		
8	H151629	WEAR RING	1		(A)
9	R79117	WASHER	1		(A)
10	H158942	O-RING	1		(A)
11	H151694	HYDR. CYLINDER ROD GUIDE	1		
12	H144342	PISTON RING	1		(A)
13	AH138200	PISTON	1		
14	19H2672	CAP SCREW	1		5/8" X 2"
15	AH144480	HYDRAULIC CYLINDER BARREL	1		
16	AH143322	HYDRAULIC CYLINDER	1		
..	AH167553	HYDRAULIC CYLINDER KIT	1		INCLUDES PARTS MARKED (A)

2G9

TILT CYLINDER HOSES AND FITTINGS - CONTOUR MASTER

HP8752 -UN-30JUN99



HP8752

2G10

HYDRAULICS

TILT CYLINDER HOSES AND FITTINGS - CONTOUR MASTER - CONTINUED

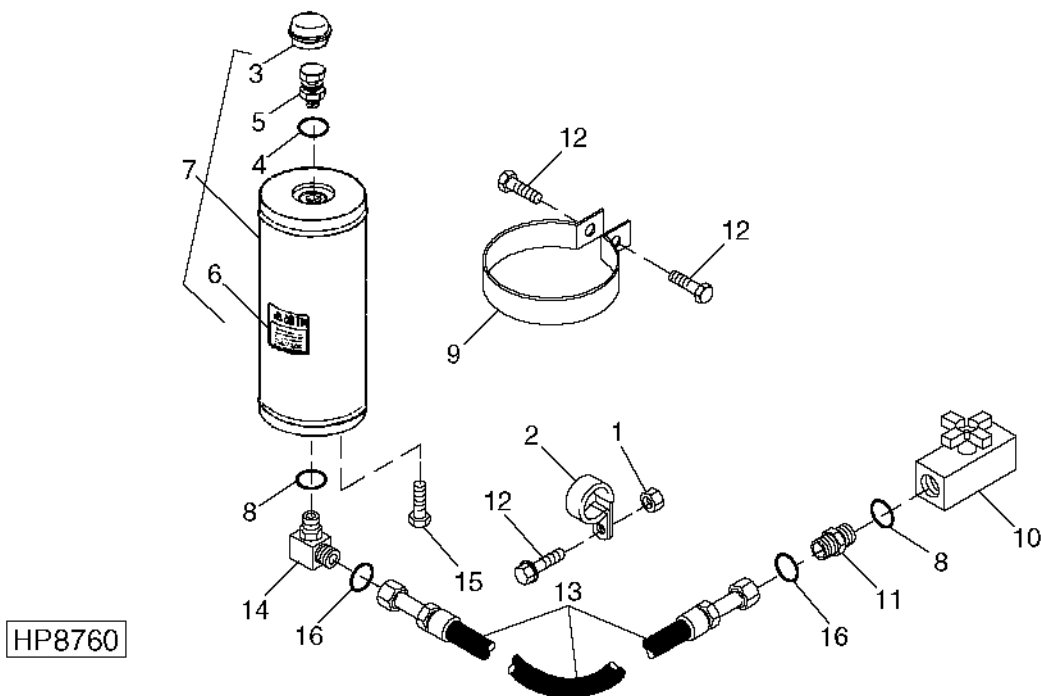
KEY	PART NO.	PART NAME	QTY	SERIAL NO.	REMARKS
				9 9	
				6 7	
				5 5	
				0 0	
1	AH162642	HYDRAULIC HOSE	1	X X	RETRACT
2	19M7866	SCREW	2	X X	M8 X 20
3	24H1291	WASHER	2	X X	21/64" X 1-15/32" X 7/64"
4	28H1511	WASHER	2	X X	0.364" X 0.540" X 1/4"
5	R56930	PIN	2	X X	
6	R28782	O-RING	1	X X	
7	38H1003	ELBOW FITTING	1	X X	
8	T77814	O-RING	1	X X	
9	R26448	O-RING	1	X X	
10	38H1004	ELBOW FITTING	1	X X	
11	T77613	O-RING	1	X X	
12	AH162641	HYDRAULIC HOSE	1	X X	
13	38H1045	ELBOW FITTING	1	X X	
14	R26375	O-RING	1	X X	
15	38H1171	ADAPTER	1	X X	
16	AH77884	CLIP	1	X X	EXTEND
17	AH77869	CLIP	1	X X	
18	R49921	CLAMP	1	X X	
19	14M7298	FLANGE NUT	1	X X	M8
20	R35668	CLAMP	1	X X	

2G11

HYDRAULICS

ONE GALLON ACCUMULATOR, HOSE, LINE AND MOUNTING

HP8760 -UN-07JUL99



HP8760

9 9
6 7
5 5
0 0

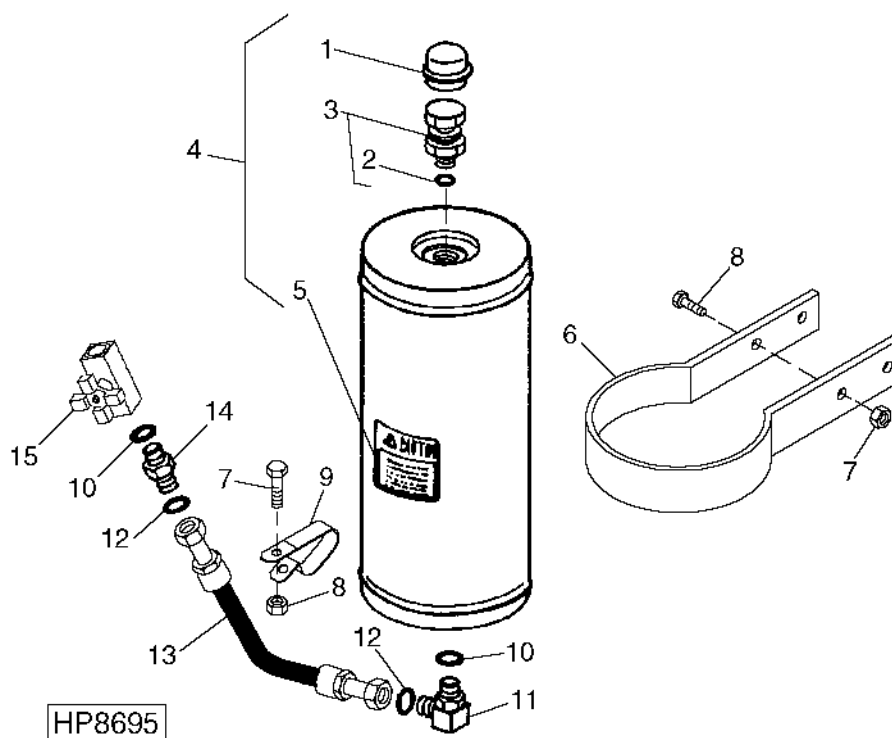
KEY	PART NO.	PART NAME	QTY	SERIAL NO.	REMARKS
1	14M7298	FLANGE NUT	3	X X	M8
2	R50454	CLAMP	1	X X	
3	J2375M	CAP	1	X X	
4	H135641	RING	1	X X	
5	AH131250	BLEED VALVE	1	X X	
6	H149092	LABEL	1	X X	"CAUTION"
7	AH143455	ACCUMULATOR	1	X X	
8	R26375	O-RING	2	X X	
9	H154800	CLAMP	1	X X	
10	AH131535	VALVE	1	X X	
11	38H1161	ADAPTER	1	X X	
12	19M7866	SCREW	3	X X	M8 X 20
13	AH159441	HYDRAULIC HOSE	1	X X	13/16" X 700 MM X 13/16"
14	38H1017	TEE FITTING	1	X X	
15	19M7864	SCREW	2	X X	M8 X 12
16	T77857	O-RING	2	X X	

2G12

HYDRAULICS

ONE HALF GALLON ACCUMULATOR AND MOUNTING

HP8695 -UN-27JUL99



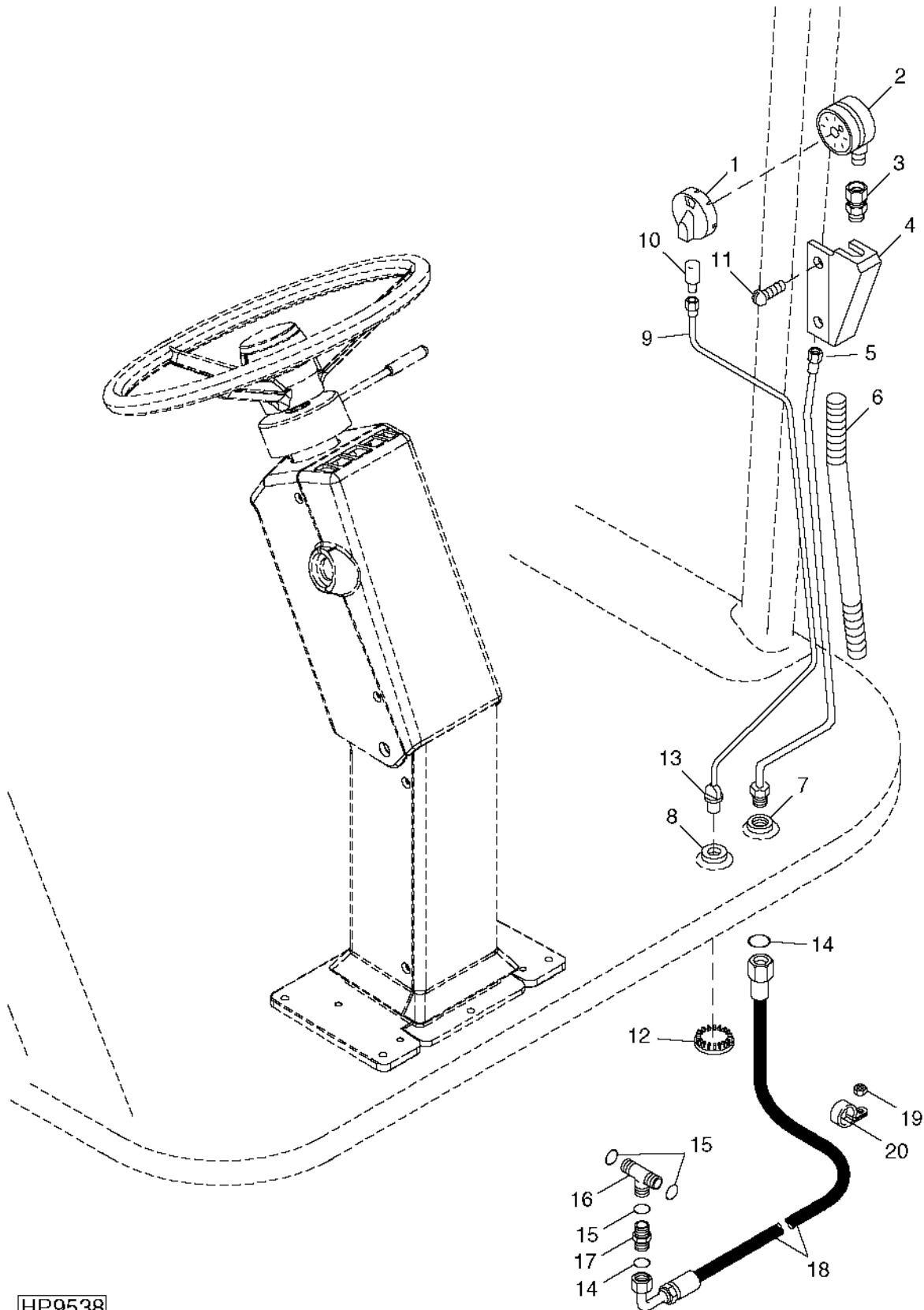
KEY	PART NO.	PART NAME	QTY	SERIAL NO.	REMARKS
				9 9	
				6 7	
				5 5	
				0 0	
1	J2375M	CAP	1	X X	
2	H135641	RING	1	X X	
3	AH131250	BLEED VALVE	1	X X	
4	AH133265	ACCUMULATOR	1	X X	
5	H149092	LABEL	1	X X	"CAUTION"
6	H154800	CLAMP	1	X X	
7	19M7866	SCREW	3	X X	M8 X 20
8	14M7298	FLANGE NUT	3	X X	M8
9	R50454	CLAMP	1	X X	
10	R26375	O-RING	2	X X	
11	38H1005	ELBOW FITTING	1	X X	
12	T77857	O-RING	2	X X	
13	AH159441	HYDRAULIC HOSE	1	X X	
14	38H1161	ADAPTER	1	X X	
15	AH131535	VALVE	1	X X	

2G13

HYDRAULICS

ACCUMULATOR PRESSURE GAUGE AND WIRING HARNESS

HP9538 -UN-07FEB00



HP9538

2G14

HYDRAULICS

ACCUMULATOR PRESSURE GAUGE AND WIRING HARNESS - CONTINUED

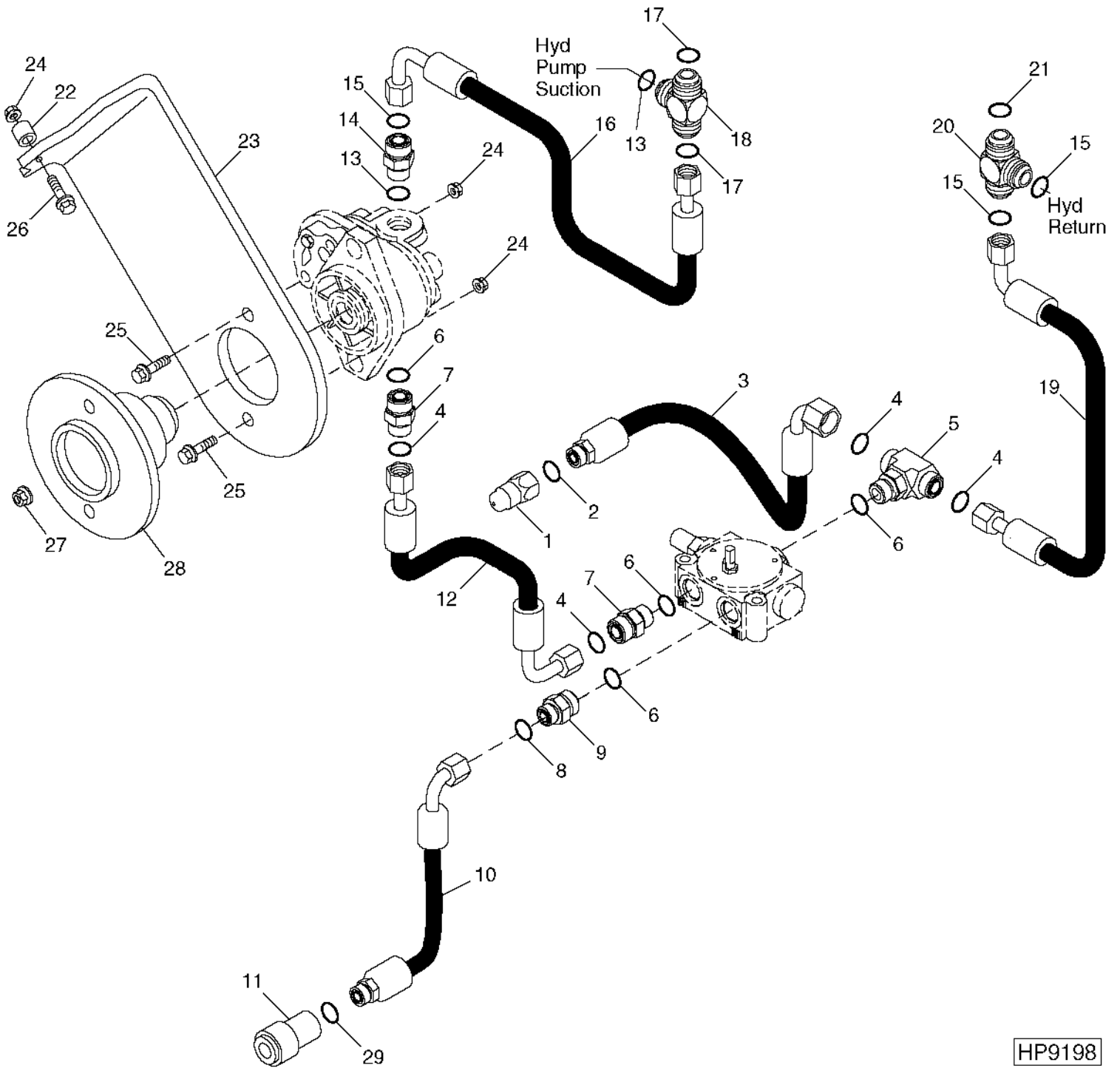
KEY	PART NO.	PART NAME	QTY	SERIAL NO.	REMARKS
				9 9	
				6 7	
				5 5	
				0 0	
1	H111378	COVER	1	X X	
2	AH108080	PRESSURE GAUGE	1	X X	
3	AB18206	ADAPTER	1	X X	(WITH JAM NUT)
4	AH132832	BRACKET	1	X X	
5	AH132027	OIL LINE	1	X X	
6	H137523	CONDUIT	1	X X	
7	T65643	GROMMET	1	X X	
8	T63817	GROMMET	1	X X	
9	AH134205	WIRING LEAD	1	X X	
10	AH108380	BULB	1	X X	
11	H165691	SCREW	2	X X	M6 X 20
12	R32239	PLUG	2	X X	USE WITHOUT ACCUM. GAUGE
13	RE12363	CONNECTOR	1	X X	(PKG OF 3)
	R78048	TERMINAL NIPPLE	1	X X	(PKG OF 5)
14	T77613	O-RING	2	X X	
15	T77857	O-RING	3	X X	
16	38H1031	TEE FITTING	1	X X	
17	38H1481	REDUCER	1	X X	
18	AH153792	HYDRAULIC HOSE	1	X X	
19	14M7298	FLANGE NUT	3	X X	M8
20	H75541	CLAMP	3	X X	

2G15

HYDRAULICS

STRAW SPREADER VALVE AND HOSES

HP9198 -UN-19OCT99



HP9198

2G16

HYDRAULICS

STRAW SPREADER VALVE AND HOSES - CONTINUED

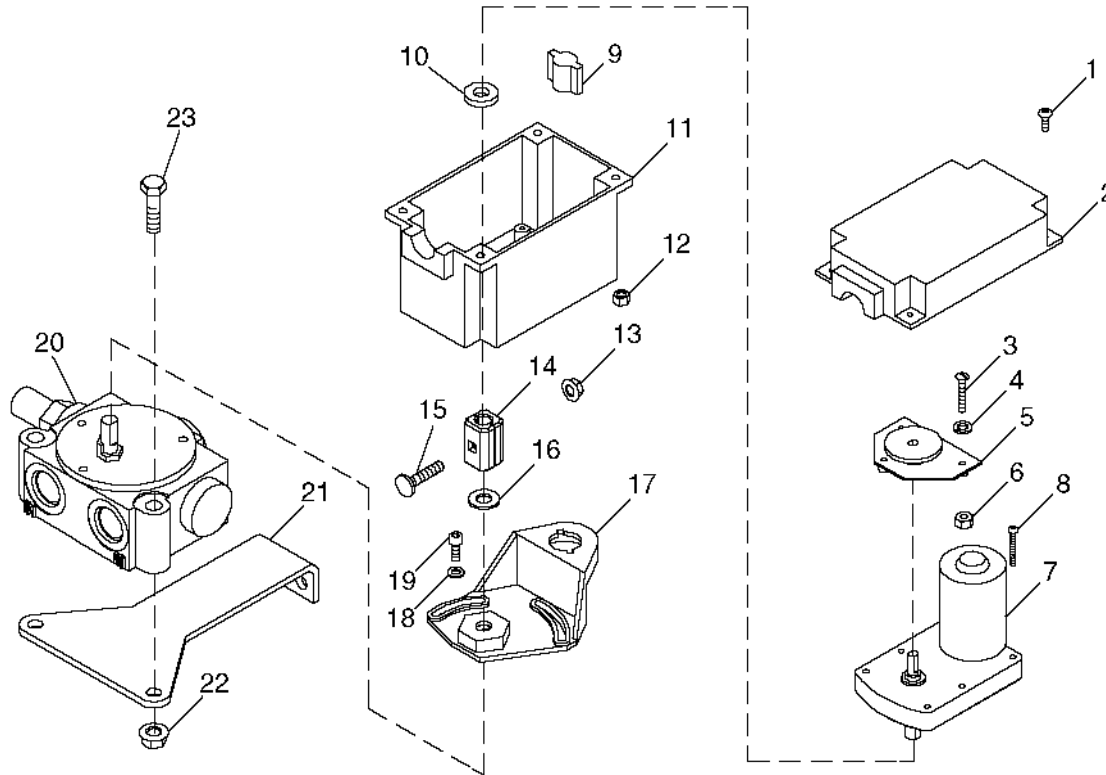
KEY	PART NO.	PART NAME	QTY	SERIAL NO.	REMARKS
				9 9	
				6 7	
				5 5	
				0 0	
1	AR94522	INTERNAL HALF COUPLER	1	X X	
2	R26375	O-RING	1	X X	
3	AH153773	HYDRAULIC HOSE	1	X X	
4	T77932	O-RING	4	X X	
5	38H1018	TEE FITTING	1	X X	
6	R26906	O-RING	4	X X	
7	38H1162	ADAPTER	2	X X	
8	T77857	O-RING	1	X X	
9	38H1174	ADAPTER	1	X X	
10	AH153774	HYDRAULIC HOSE	1	X X	(SUB AH167728, AW25301 AND R26906)
	AH167728	HYDRAULIC HOSE	1	X X	(USE WITH AW25301 AND R26906)
11	AH75167	HYD. QUICK-CONNECT COUPLER	1	X X	(USE WITH AH153774)
	AW25301	EXTERNAL HALF COUPLER	1	X X	(USE WITH AH167728)
12	AH152871	HYDRAULIC HOSE	1	X X	
13	R29936	O-RING	2	X X	
14	38H1194	ADAPTER	1	X X	
15	T77858	O-RING	3	X X	
16	AH165792	HYDRAULIC HOSE	1	X X	
17	T76938	O-RING	2	X X	
18	38H1027	TEE FITTING	1	X X	
19	AH156706	HYDRAULIC HOSE	1	X X	
20	38H1026	TEE FITTING	1	X X	
21	U12547	O-RING	1	X X	
22	H164343	INSULATOR	1	X X	
23	H172956	ARM	1	X X	(SUB FOR H165260)
24	14M7396	LOCK NUT	3	X X	M8
25	19M7868	SCREW	2	X X	M8 X 30
26	19M7799	SCREW	1	X X	M8 X 45
27	14M7298	FLANGE NUT	1	X X	M8
28	H157247	HUB	1	X X	
29	R26375	O-RING	1	X X	(USE WITH AH153774)
	R26906	O-RING	1	X X	(USE WITH AH167728)
..	BH81738	COMPLETE GOODS/SHIP. BUNDLE	1	X X	STRAW SPREADER HYDRAULIC DRIVE PARTS

2G17

HYDRAULICS

STRAW SPREADER CONTROL VALVE ASSEMBLY

HP8494 -UN-30JUN99



HP8494

9 9
6 7
5 5
0 0

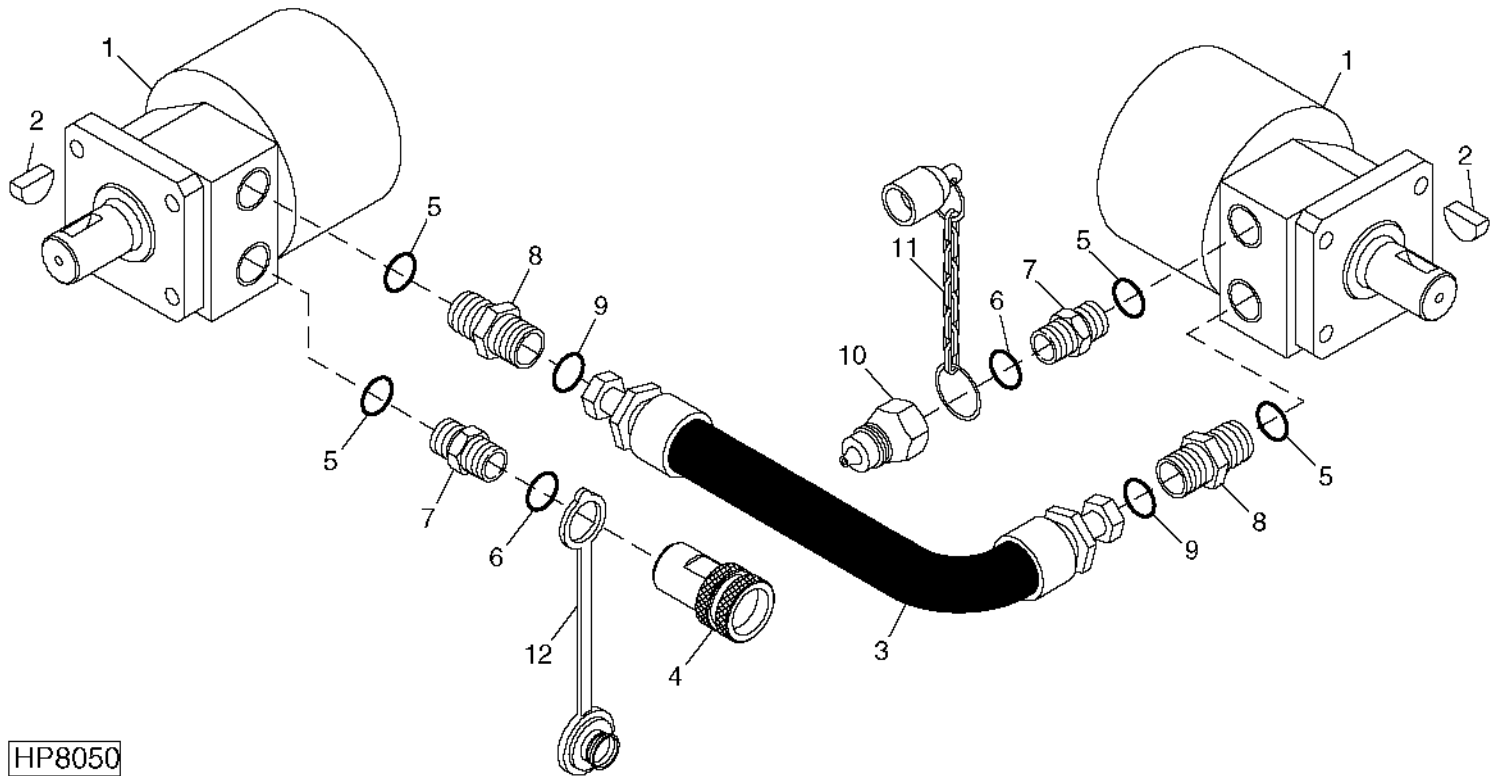
KEY	PART NO.	PART NAME	QTY	SERIAL NO.	REMARKS
1	21M7250	SCREW	4	X X	M4 X 12
2	H133852	BOX	1	X X	
3	21H1184	SCREW	2	X X	0.138" X 1-1/8"
4	12H314	LOCK WASHER	2	X X	0.138"
5	AH139987	PRINTED CIRCUIT	1	X X	
6	14H1026	NUT	2	X X	0.138"
7	AH128865	ELECTRIC MOTOR	1	X X	
8	H144032	SCREW	4	X X	
9	H133981	SEAL	1	X X	
10	M121T	WASHER	1	X X	
11	H133851	BOX	1	X X	
12	14M7100	NUT	4	X X	M4
13	14M7397	LOCK NUT	1	X X	M6
14	H114020	HALF CLAMP	2	X X	
15	03M7290	BOLT	1	X X	M6 X 30
16	H146950	WASHER	1	X X	
17	AH141813	KIT	1	X X	
18	24M7027	WASHER	2	X X	5.300 X 10 X 1 MM
19	19H2925	SCREW	2	X X	1/4" X 1/2"
20	AH140902	CHECK VALVE	1	X X	
21	H164040	BRACKET	1	X X	
22	14M7298	FLANGE NUT	2	X X	M8
23	19M7801	SCREW	2	X X	M8 X 60
..	BH81738	COMPLETE GOODS/SHIP. BUNDLE	1	X X	STRAW SPREADER HYDRAULIC DRIVE PARTS

2G18

HYDRAULICS

STRAW SPREADER MOTOR (EATON), HOSE AND FITTINGS

HP8050 -UN-30JUN99



HP8050

9 9
6 7
5 5
0 0

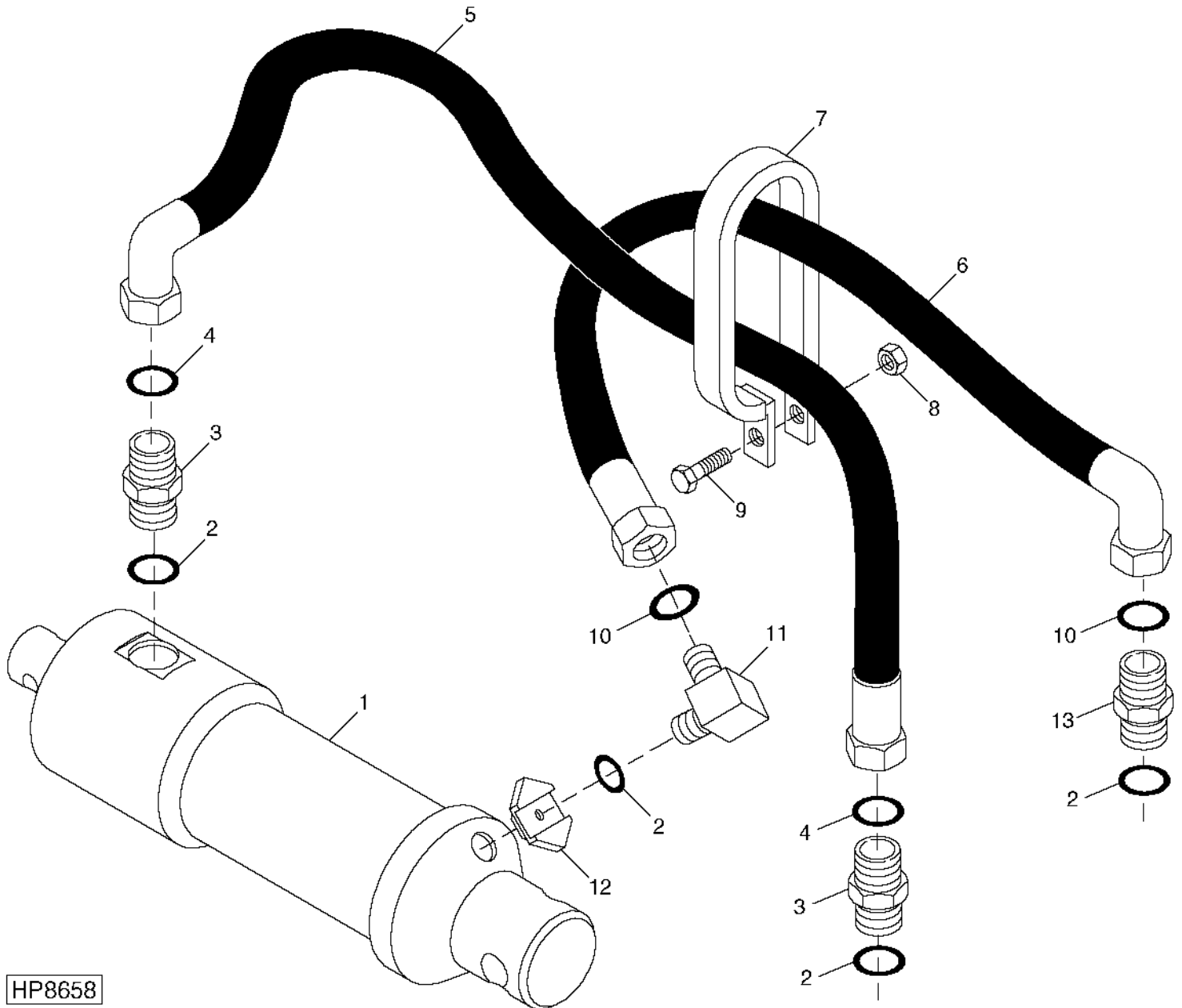
KEY	PART NO.	PART NAME	QTY	SERIAL NO.	REMARKS
1	AH148944	HYDRAULIC MOTOR	2	X X	
	AH163801	SEAL KIT	1	X X	
2	26H22	SHAFT KEY	2	X X	1/4" X 1"
3	AH151571	HYDRAULIC HOSE	1	X X	
4	AH75167	HYD. QUICK-CONNECT COUPLER	1	X X	
5	R26906	O-RING	4	X X	
6	R26375	O-RING	2	X X	
7	T62843	ADAPTER	2	X X	
8	38H1174	ADAPTER	2	X X	
9	T77857	O-RING	2	X X	
10	AR94522	INTERNAL HALF COUPLER	1	X X	
11	A15898	CAP	1	X X	
12	H125403	PLUG	1	X X	

2G19

HYDRAULICS

UNLOADING AUGER BELT TENSIONING HYDRAULIC CYLINDER, HOSES AND FITTINGS

HP8658 -UN-30JUN99



HP8658

2G20

HYDRAULICS

UNLOADING AUGER BELT TENSIONING HYDRAULIC CYLINDER, HOSES AND FITTINGS - CONTINUED

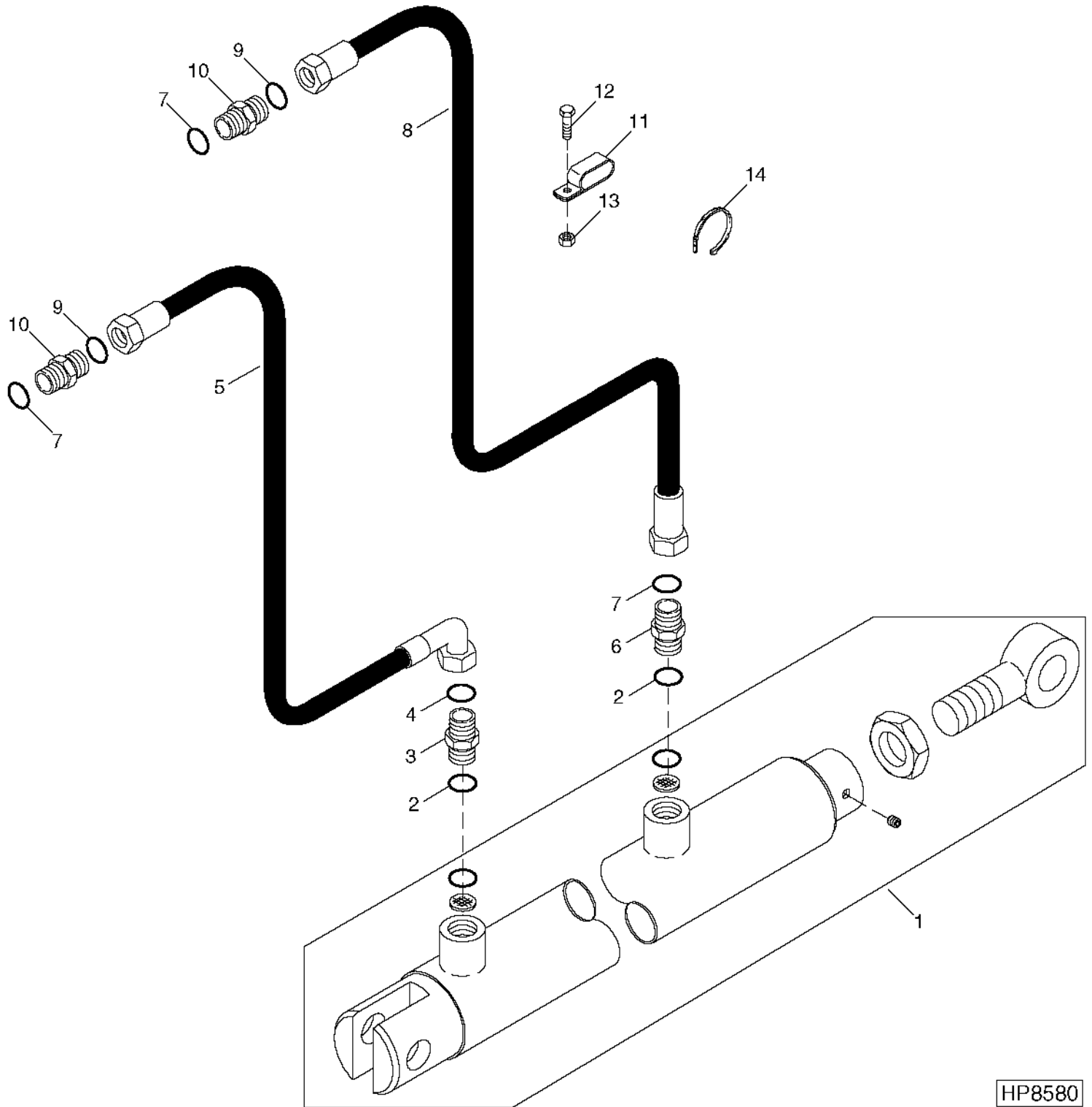
KEY	PART NO.	PART NAME	QTY	SERIAL NO.	9 9 6 7 5 5 0 0	REMARKS
1	AH145216	HYDRAULIC CYLINDER	1		X X	
2	R26448	O-RING	2		X X	
3	38H1168	ADAPTER	2		X X	
4	T77814	O-RING	2		X X	
5	AH153985	HYDRAULIC HOSE	1		X X	
6	AH153984	HYDRAULIC HOSE	1		X X	
7	R35668	CLAMP	1		X X	
8	14M7298	FLANGE NUT	1		X X	M8
9	19M7866	SCREW	1		X X	M8 X 20
10	T77613	O-RING	2		X X	
11	38H1004	ELBOW FITTING	1		X X	
12	H60821	ORIFICE	1		X X	
13	38H1160	ADAPTER	1		X X	

2G21

HYDRAULICS

UNLOADING AUGER SWING CYLINDER, HOSES AND FITTINGS

HP8580 -UN-28JUL99



HP8580

UNLOADING AUGER SWING CYLINDER, HOSES AND FITTINGS - CONTINUED

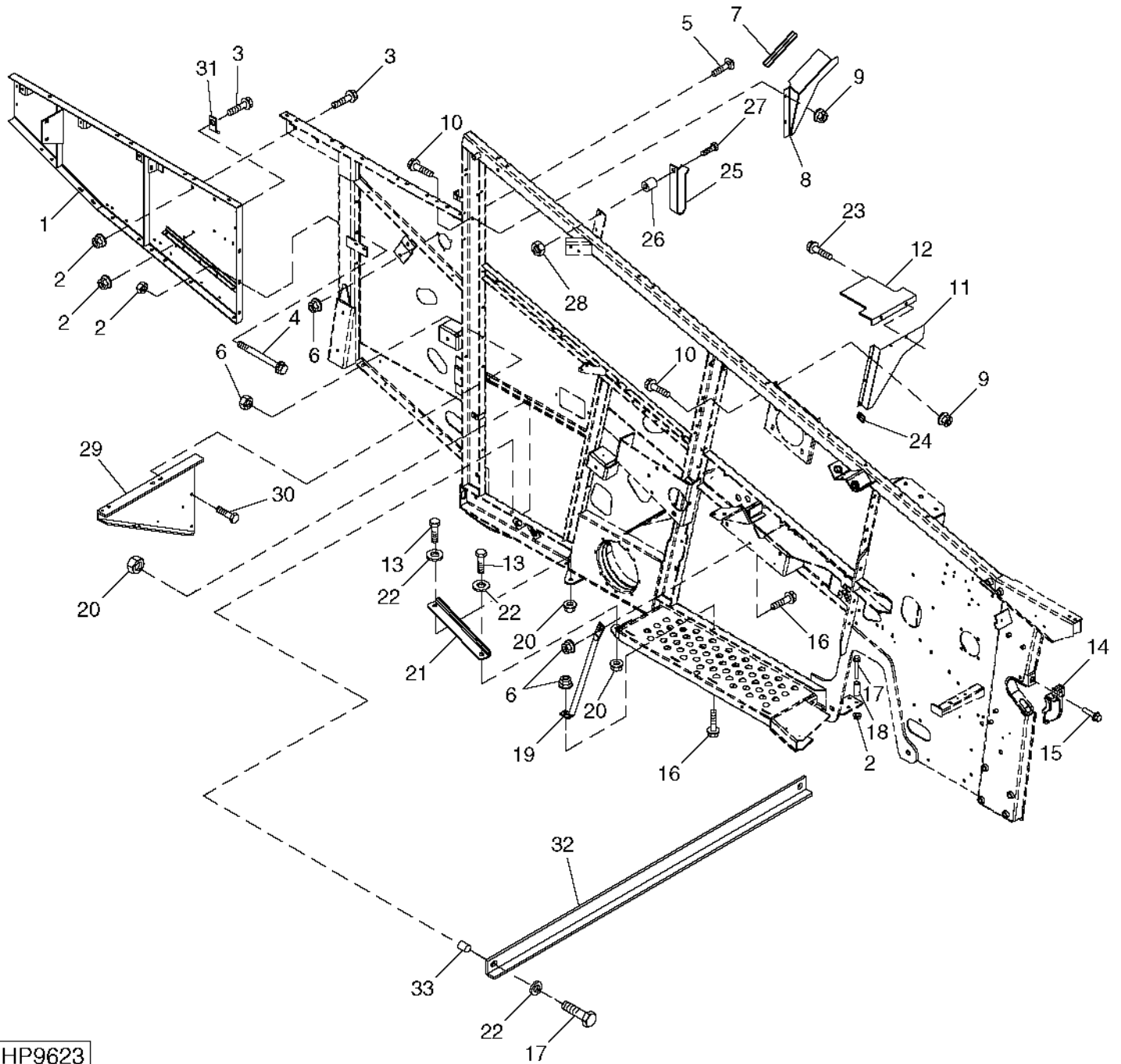
KEY	PART NO.	PART NAME	QTY	SERIAL NO.	REMARKS
				9 9	
				6 7	
				5 5	
				0 0	
1	AH151845	HYDRAULIC CYLINDER	1	X X	
2	R26448	O-RING	2	X X	
3	38H1168	ADAPTER	1	X X	
4	T77814	O-RING	1	X X	
5	AH165665	HYDRAULIC HOSE	1	X X	EXTEND
6	38H1160	ADAPTER	1	X X	
7	T77613	O-RING	3	X X	
8	AH165795	HYDRAULIC HOSE	1	X X	RETRACT
9	R26375	O-RING	2	X X	
10	38H1171	ADAPTER	2	X X	
11	R35668	CLAMP	1	X X	
12	19M7866	SCREW	1	X X	M8 X 20
13	14M7298	FLANGE NUT	1	X X	M8
14	H77698	TIE BAND	1	X X	

MEMORANDA

MEMORANDA

2H3

R.H. FRAME
HP9623 -UN-24MAR00



HP9623

2H4

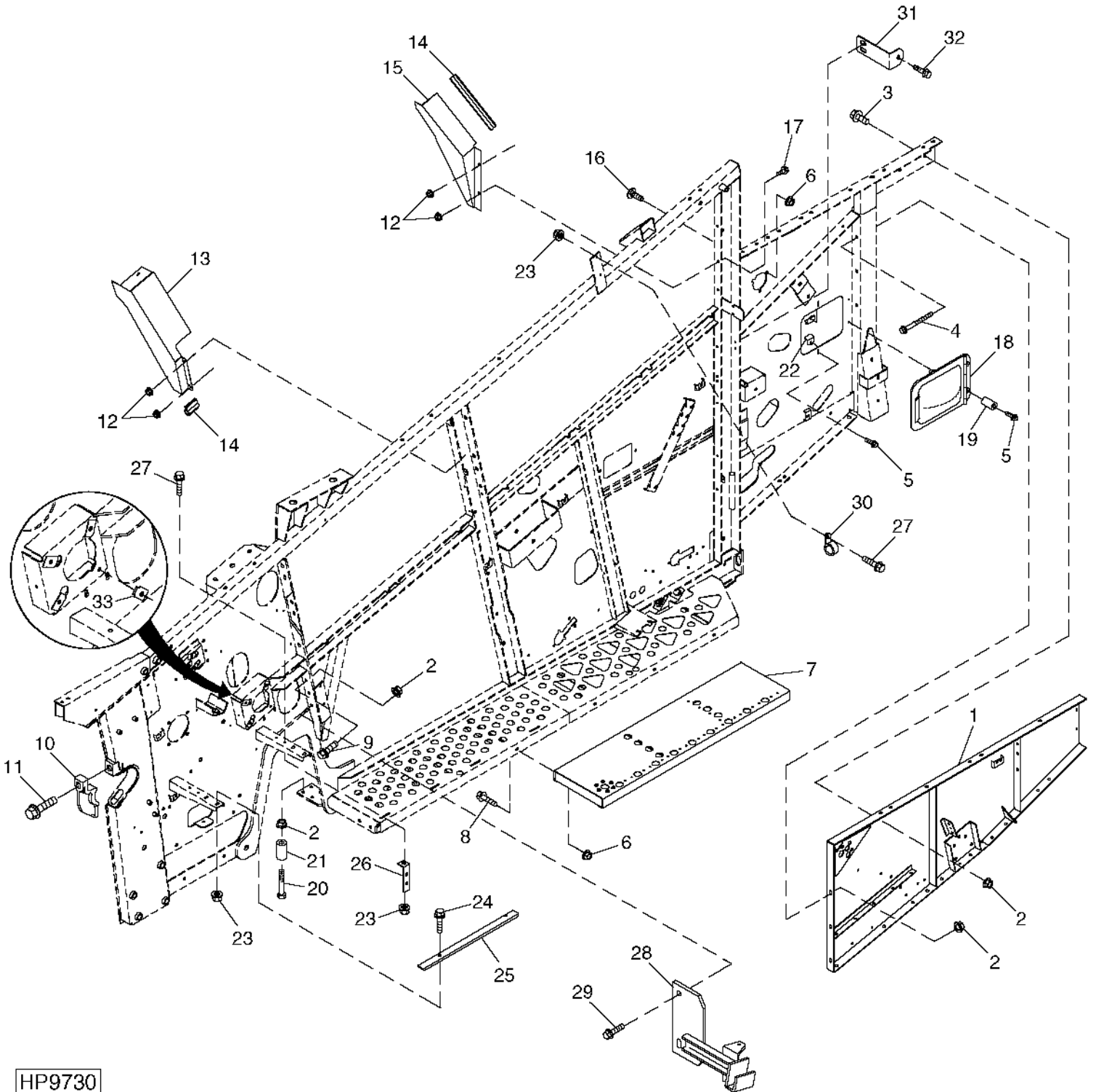
BODY AND SHIELDS

R.H. FRAME - CONTINUED

KEY	PART NO.	PART NAME	QTY	SERIAL NO.	REMARKS
				9 9	
				6 7	
				5 5	
				0 0	
1	AH147923	EXTENSION	1	X X	
2	14M7299	FLANGE NUT	15	X X	M12
3	19M7789	SCREW	9	X X	M12 X 30
4	19M7838	SCREW	3	X X	M12 X 130
5	03M7192	BOLT	3	X X	M10 X 30
6	14M7296	FLANGE NUT	8	X X	M10
7	H165112	SEAL	1	X X	
8	H154485	PLATE	1	X X	
9	14M7303	FLANGE NUT	4	X X	M6
10	19M7775	SCREW	4	X X	M6 X 16
11	H154113	PLATE	1	X X	
12	H158774	CAP	1	X X	
13	19M7488	CAP SCREW	2	X X	M16 X 40
14	H158749	RETAINER	1	X X	
15	19M7831	SCREW	1	X X	M20 X 80
16	19M7786	SCREW	2	X X	M10 X 30
17	19M7720	CAP SCREW	6	X X	M16 X 80
18	28H2611	SPACER	4	X X	0.546" X 0.840" X 2"
19	AH165698	SUPPORT	1	X X	
20	14M7291	FLANGE NUT	4	X X	M16
21	H173365	ANGLE	1	X X	(SUB FOR H159632)
22	24M7241	WASHER	4	X X	17 X 34 X 4 MM
23	37M7090	SCREW	3	X X	M6 X 16
24	H165112	SEAL	1	X X	
25	H158691	CLIP	1	X X	
26	28H1633	BUSHING	1	X X	
27	19M7801	SCREW	1	X X	M8 X 60
28	14M7298	FLANGE NUT	1	X X	M8
29	H160296	PLATE	1	X X	
30	19M7784	SCREW	3	X X	M10 X 20
31	H162227	STRAP	2	X X	
32	H159324	ANGLE	1	X X	
33	W33080	SPACER	1	X X	

2H5

L.H. FRAME
HP9730 -UN-25APR00



HP9730

2H6

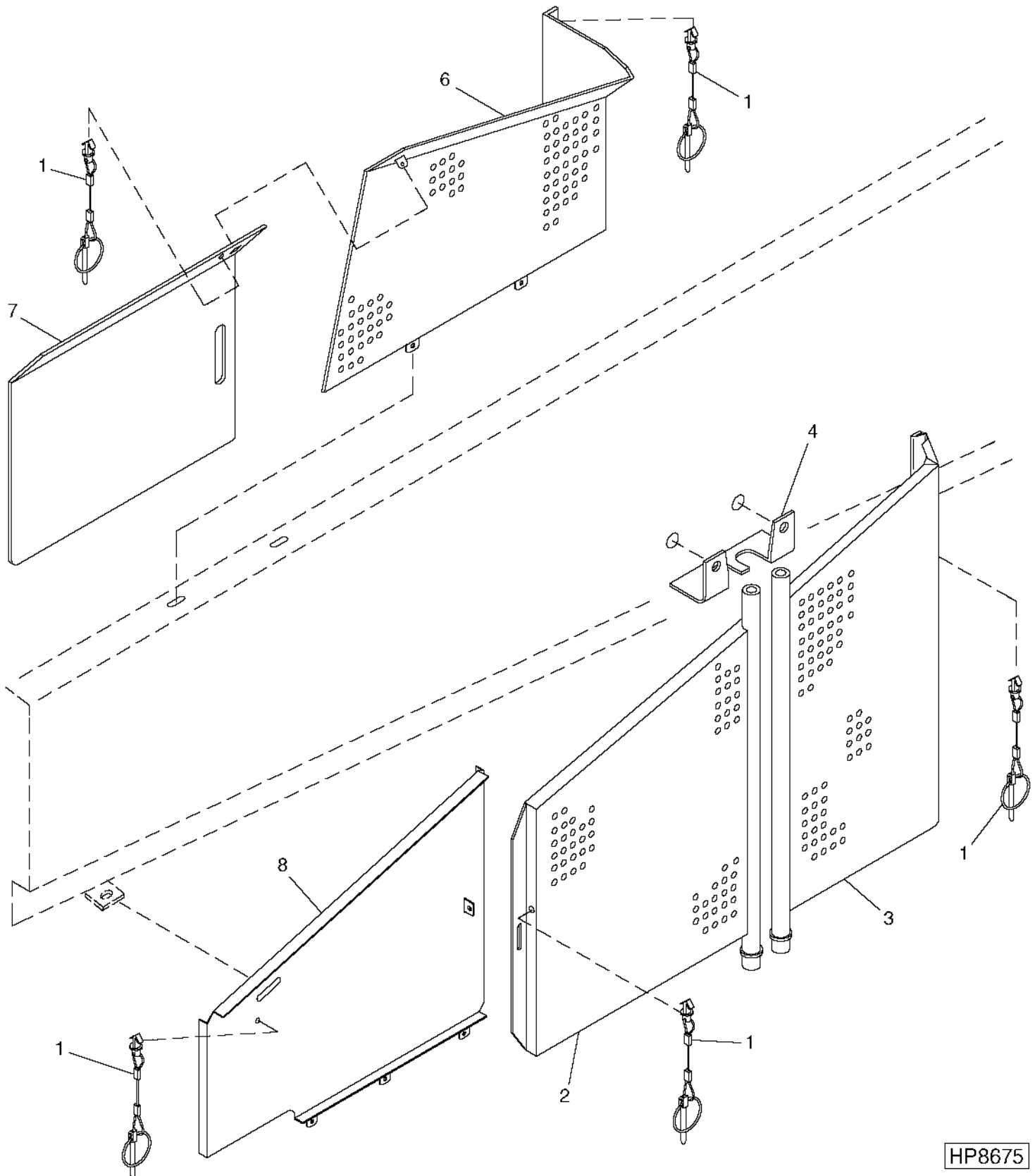
BODY AND SHIELDS

L.H. FRAME - CONTINUED

KEY	PART NO.	PART NAME	QTY	SERIAL NO.	REMARKS
				9 9	
				6 7	
				5 5	
				0 0	
1	AH163735	EXTENSION	1	X X	
2	14M7299	FLANGE NUT	15	X X	M12
3	19M7789	SCREW	3	X X	M12 X 30
4	19M7838	SCREW	3	X X	M12 X 130
5	21M7265	SCREW	AR	X X	M5 X 12
	14M7265	LOCK NUT	AR	X X	M5, (USE WITH 21M7265)
6	14M7296	FLANGE NUT	7	X X	M10
7	AH168784	PLATFORM	1	X X	(SUB FOR AH151969)
8	19M8162	CAP SCREW	4	X X	M10 X 40
9	19M7791	SCREW	3	X X	M12 X 40
10	H158749	RETAINER	1	X X	
11	19M7831	SCREW	1	X X	M20 X 80
12	14M7303	FLANGE NUT	4	X X	M6
13	H154114	SHIELD	1	X X	
14	H165112	SEAL	1	X X	
15	H154486	PLATE	1	X X	
16	03M7192	BOLT	3	X X	M10 X 30
17	19M7775	SCREW	6	X X	M6 X 16
18	AH154704	DOOR	1	X X	
19	R50642	WASHER	2	X X	
20	19M7818	SCREW	4	X X	M12 X 80
21	28H2611	SPACER	4	X X	0.546" X 0.840" X 2"
22	AH161580	CLIP	2	X X	(SUB FOR AH165112 OR AH167630)
23	14M7298	FLANGE NUT	4	X X	M8
24	19M7865	SCREW	2	X X	M8 X 16
25	H154056	GUIDE	1	X X	
26	H171513	BRACKET	1	X X	
27	19M7866	SCREW	2	X X	M8 X 20
28	AH160300	BRACKET	1	X X	
29	19M7790	SCREW	2	X X	M12 X 35
30	AH117301	CLAMP	1	X X	
31	AH159016	BRACKET	1	X X	(DISCHARGE BEATER SHIELD)
32	19M7868	SCREW	1	X X	M8 X 30
33	H146457	NUT	4	X X	

2H7

LEFT HAND SHIELDS
HP8675 -UN-19JUL99



HP8675

2H8

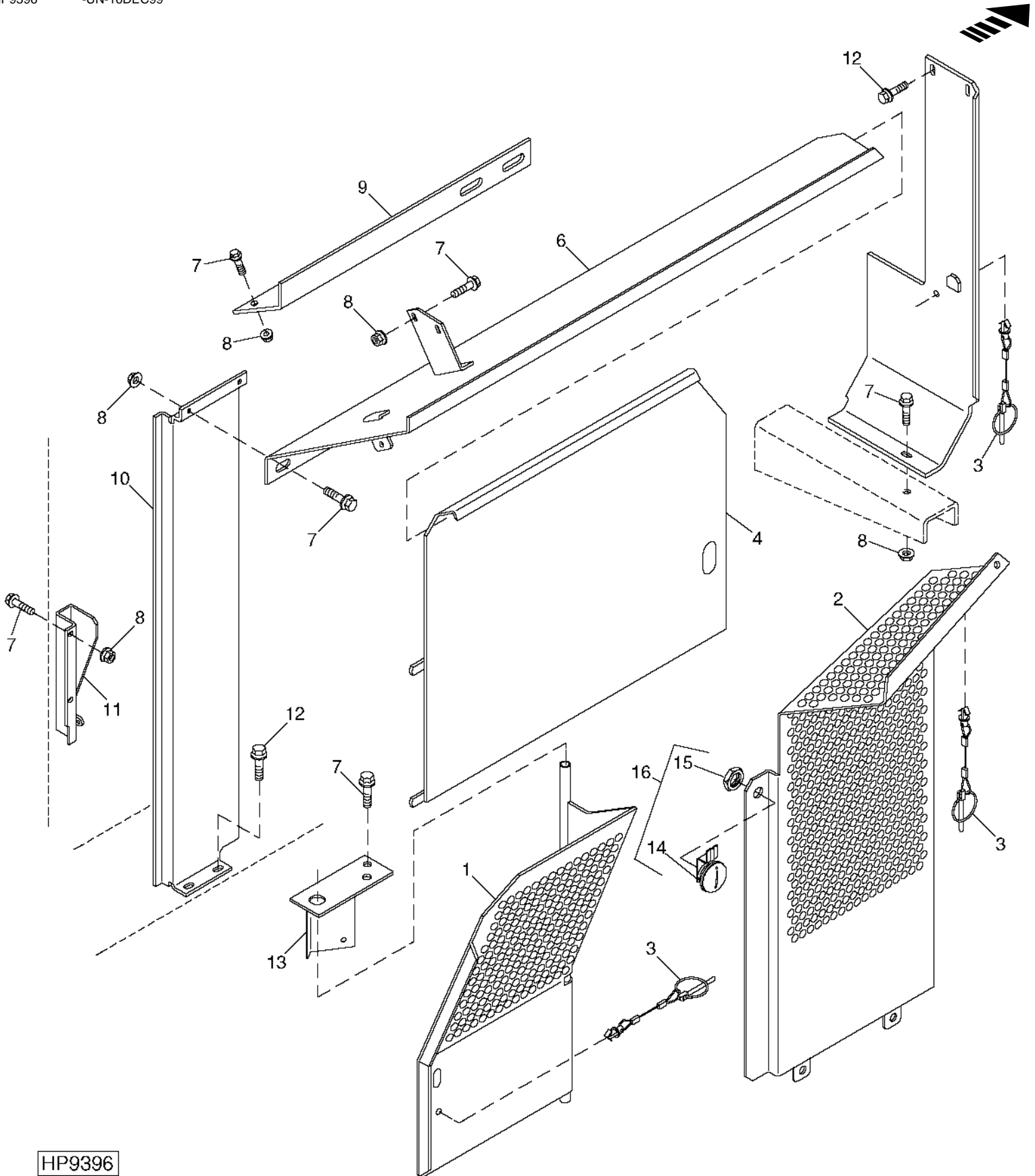
BODY AND SHIELDS

LEFT HAND SHIELDS - CONTINUED

KEY	PART NO.	PART NAME	QTY	SERIAL NO.	9 6 5 0	9 7 5 0	REMARKS
1	AH164852	PIN	5		X	X	WITH CABLE AND SNAP-IN CLIP
2	AH153535	SHIELD	1		X	X	
3	AH153536	SHIELD	1		X	X	
4	AH163880	ANGLE	1		X	X	
5	19M7866	SCREW	2		X	X	M8 X 20
6	AH160299	SHIELD	1		X	X	
7	AH158225	SHIELD	1		X	X	
8	AH161997	SHIELD	1		X	X	

2H9

RIGHT HAND SHIELDS
HP9396 -UN-16DEC99



HP9396

2H10

BODY AND SHIELDS

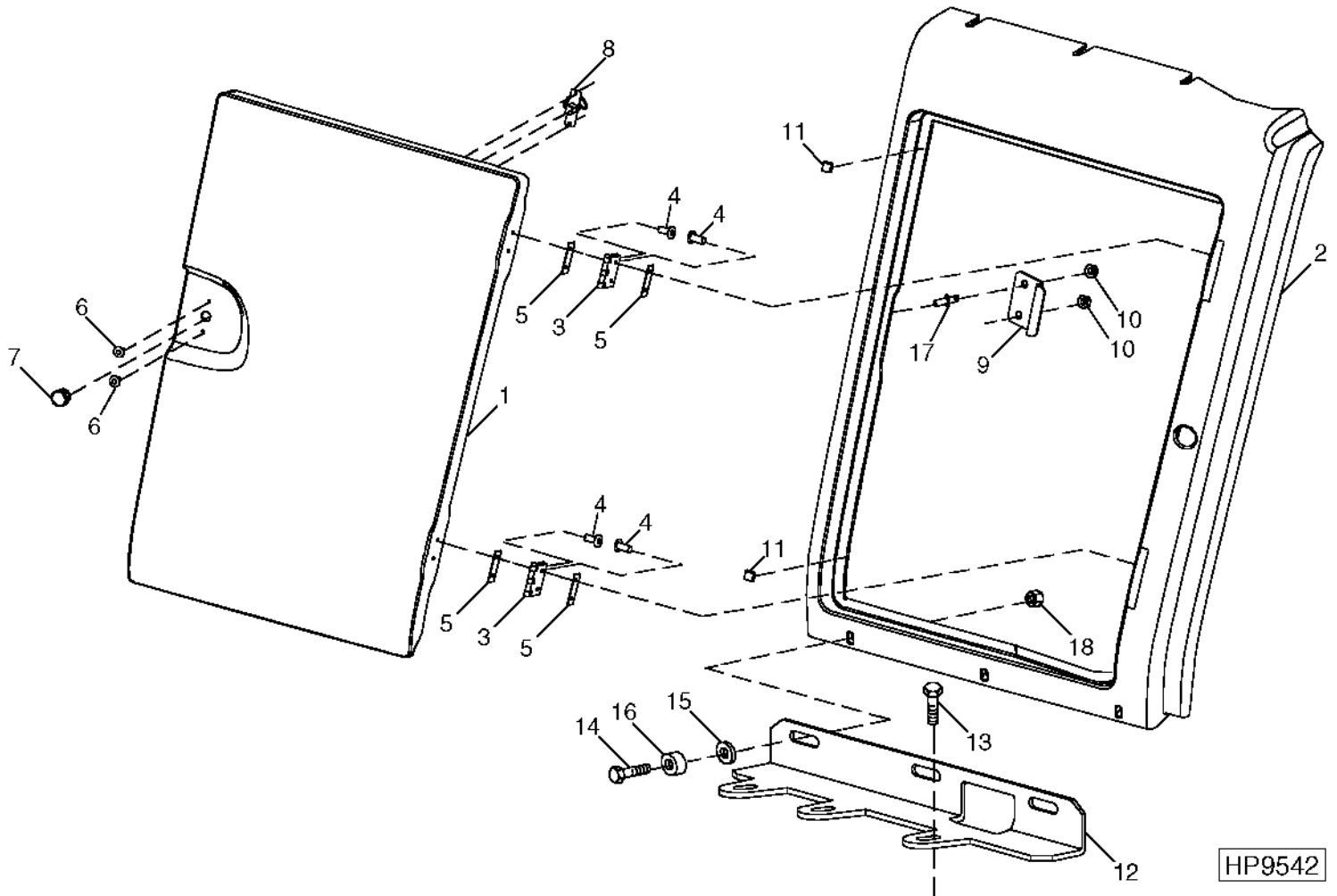
RIGHT HAND SHIELDS - CONTINUED

KEY	PART NO.	PART NAME	QTY	SERIAL NO.	9 6 5 0	9 7 5 0	REMARKS
1	AH154069	SHIELD	1		X	X	
2	AH162033	SHIELD	1		X	X	
3	AH164852	PIN	3		X	X	WITH CABLE AND SNAP-IN CLIP
4	AH162159	SHIELD	1		X	X	
5	AH161934	SHIELD	1		X	X	
6	AH164300	SHIELD	1		X	X	
7	19M7866	SCREW	10		X	X	M8 X 20
8	14M7298	FLANGE NUT	8		X	X	M8
9	H170605	BRACKET	1		X	X	
10	H168616	SHIELD	1		X	X	
11	H166331	SHIELD	1		X	X	
12	37M7058	SCREW	6		X	X	M8 X 20
13	H171887	BRACKET	1		X	X	
14	AH166074	LATCH	1		X	X	
15	TH102238	NUT	1		X	X	
16	AH167973	KIT	1		X	X	LATCH

2H11

LEFT FRONT PANEL AND DOOR

HP9542 -UN-07FEB00



HP9542

2H12

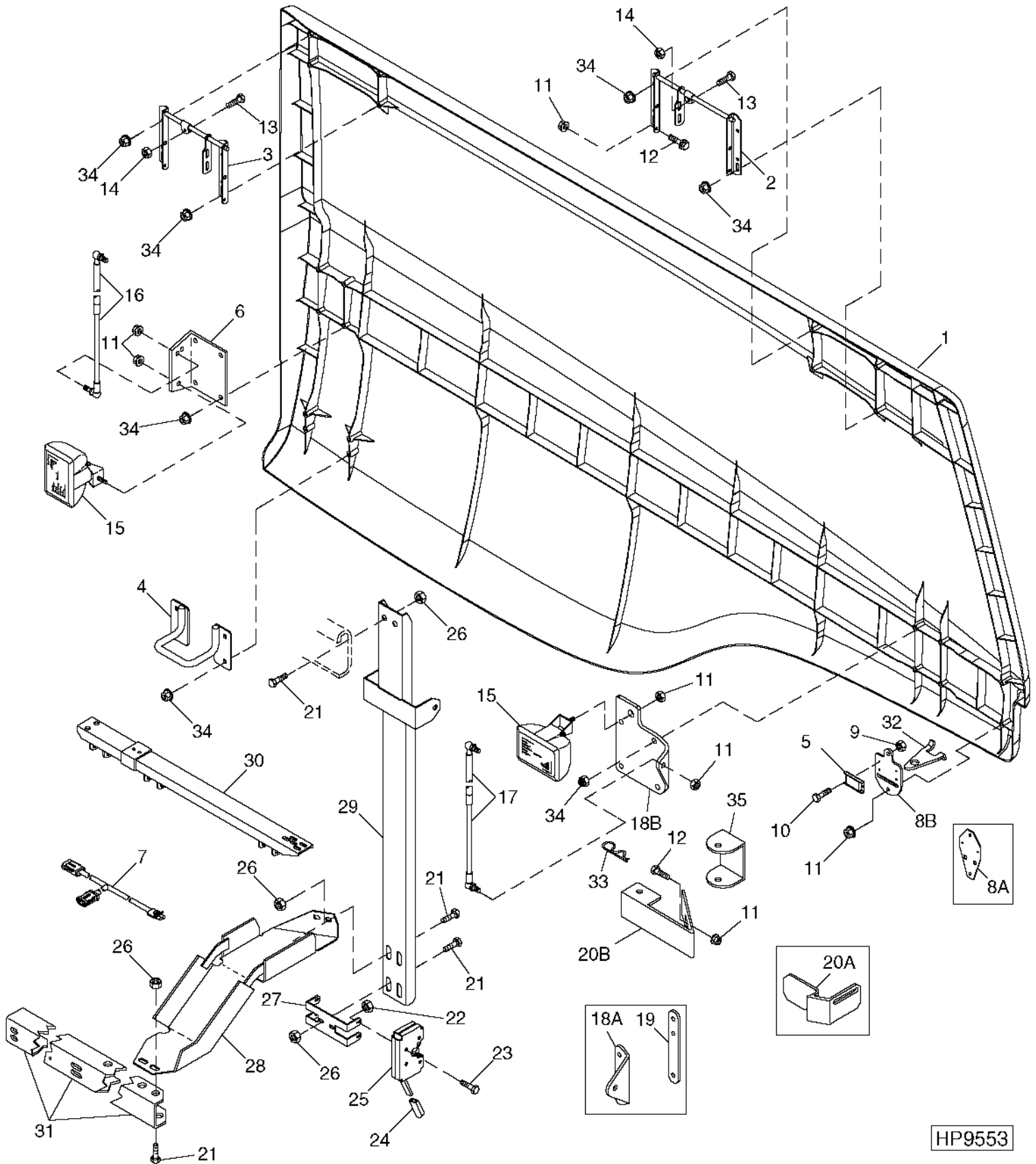
BODY AND SHIELDS

LEFT FRONT PANEL AND DOOR - CONTINUED

KEY	PART NO.	PART NAME	QTY	SERIAL NO.	REMARKS
				9 9	
				6 7	
				5 5	
				0 0	
1	AH150949	PANEL	1	X X	
2	AH150948	PANEL	1	X X	(INCLUDES (2) H169900)
3	AH166538	HINGE	2	X X	
4	H172258	RIVET	8	X X	
5	H161171	STRAP	4	X X	
6	H161297	RIVET	2	X X	
7	H121391	KNOB	1	X X	
8	AH125644	LATCH	1	X X	
9	H164572	BRACKET	1	X X	
10	14M7396	LOCK NUT	2	X X	M8
11	N206575	ISOLATOR	2	X X	
12	H159280	BRACKET	1	X X	
13	37M7058	SCREW	3	X X	M8 X 20
14	19M7798	SCREW	3	X X	M8 X 40
15	T25122	WASHER	3	X X	
16	24M7207	WASHER	3	X X	8.400 X 24 X 2 MM
17	H169900	STUD	2	X X	
18	14M7298	FLANGE NUT	3	X X	M8

2H13

GULLWING DOOR (L.H.)
HP9553 -UN-14FEB00



HP9553

2H14

BODY AND SHIELDS

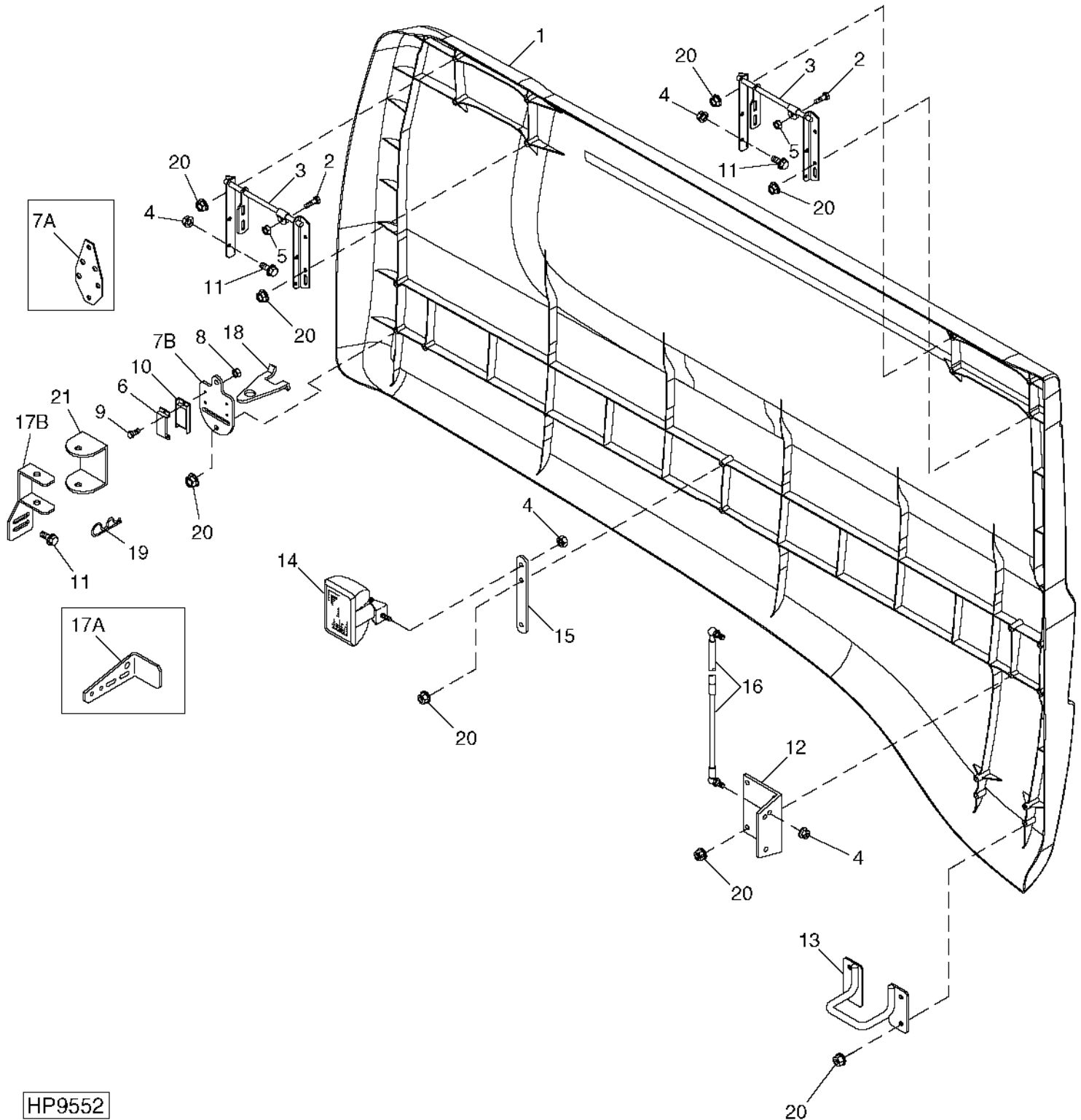
GULLWING DOOR (L.H.) - CONTINUED

KEY	PART NO.	PART NAME	QTY	SERIAL NO.	REMARKS
				9 9	
				6 7	
				5 5	
				0 0	
1	AH150947	DOOR	1	X X	
2	AH155962	HINGE	1	X X	
3	AH155963	HINGE	1	X X	
4	AH162506	HANDLE	1	X X	
5	AM102170	MAGNET	1	X X	
6	H165412	BRACKET	1	X X	
7	AH166078	WIRING HARNESS	1	X X	SERVICE LIGHT
8A	H171963	PLATE	1	X X	(SUB H173742)
8B	H173742	PLATE	1	X X	
9	14M7139	NUT	2	X X	M4
10	19M7598	CAP SCREW	2	X X	M4 X 10
11	14M7298	FLANGE NUT	AR	X X	M8
12	19M7866	SCREW	4	X X	M8 X 20
13	19M7077	CAP SCREW	2	X X	M6 X 20
14	14M7272	NUT	2	X X	M6
15	AH163668	LAMP	2	X X	(SUB AH168385)
	AH168385	LAMP	2	X X	
	AH166909	BULB	1	X X	
16	AH128597	GAS OPERATED CYLINDER	1	X X	
17	AH161392	ANGLE BLADE CYLINDER	1	X X	
18A	H165414	BRACKET	1	X X	(SUB H173461)
18B	H173461	BRACKET	1	X X	
19	H169896	BRACKET	1	X X	
20A	H170083	BRACKET	1	X X	(SUB H173785) DOOR STOP
20B	H173785	HINGE	1	X X	
21	19M7784	SCREW	8	X X	M10 X 20
22	14M7303	FLANGE NUT	4	X X	M6
23	19M7796	SCREW	4	X X	M6 X 30
24	H169865	PLUG	2	X X	
25	AH167030	LATCH	2	X X	
26	14M7296	FLANGE NUT	8	X X	M10
27	H171705	CHANNEL	1	X X	
28	AH165884	SUPPORT	1	X X	
29	AH158454	CHANNEL	1	X X	
30	AH159723	SUPPORT	1	X X	
31	H171866	CHANNEL	1	X X	
32	H173743	BRACKET	1	X X	
33	J16931	SPRING LOCKING PIN	1	X X	
34	14M7396	LOCK NUT	AR	X X	M8
35	H173257	BRACKET	1	X X	

2H15

LEFT REAR GULLWING DOOR

HP9552 -UN-14FEB00



HP9552

2H16

BODY AND SHIELDS

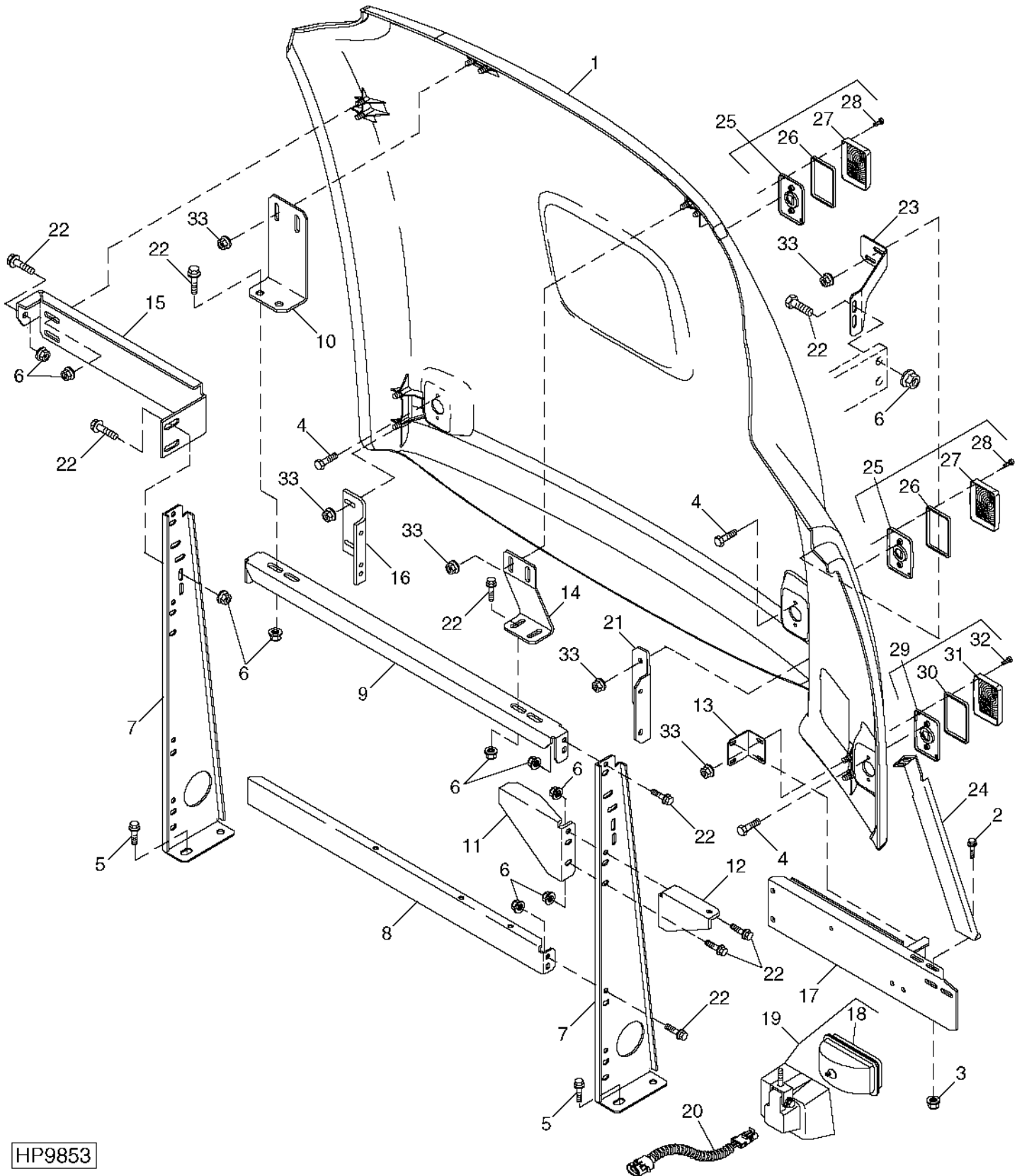
LEFT REAR GULLWING DOOR - CONTINUED

KEY	PART NO.	PART NAME	QTY	SERIAL NO.	REMARKS
				9 9	
				6 7	
				5 5	
				0 0	
1	AH150946	DOOR	1	X X	
2	19M7077	CAP SCREW	1	X X	M6 X 20
3	AH155962	HINGE	1	X X	
	AH155963	HINGE	1	X X	
4	14M7298	FLANGE NUT	AR	X X	M8
5	14M7272	NUT	1	X X	M6
6	M91405	SHIELD	1	X X	
7A	H171963	PLATE	1	X X	(SUB H173742)
7B	H173742	PLATE	1	X X	
8	14M7139	NUT	2	X X	M4
9	19M7598	CAP SCREW	2	X X	M4 X 10
10	AM102170	MAGNET	1	X X	
11	19M7866	SCREW	4	X X	M8 X 20
12	H165412	BRACKET	1	X X	
13	AH162506	HANDLE	1	X X	
14	AH163668	LAMP	1	X X	(SUB AH168385)
	AH168385	LAMP	1	X X	
	AH166909	BULB	1	X X	
15	H169896	BRACKET	1	X X	
16	AH161391	SPRING ASSEMBLY	1	X X	
17A	H167714	BRACKET	1	X X	(SUB H173258) DOOR STOP
17B	H173258	BRACKET	1	X X	
18	H173743	BRACKET	1	X X	
19	J16931	SPRING LOCKING PIN	1	X X	
20	14M7396	LOCK NUT	AR	X X	M8
21	H173257	BRACKET	1	X X	

2H17

REAR WALL AND SUPPORTS

HP9853 -UN-07JUN00



HP9853

2H18

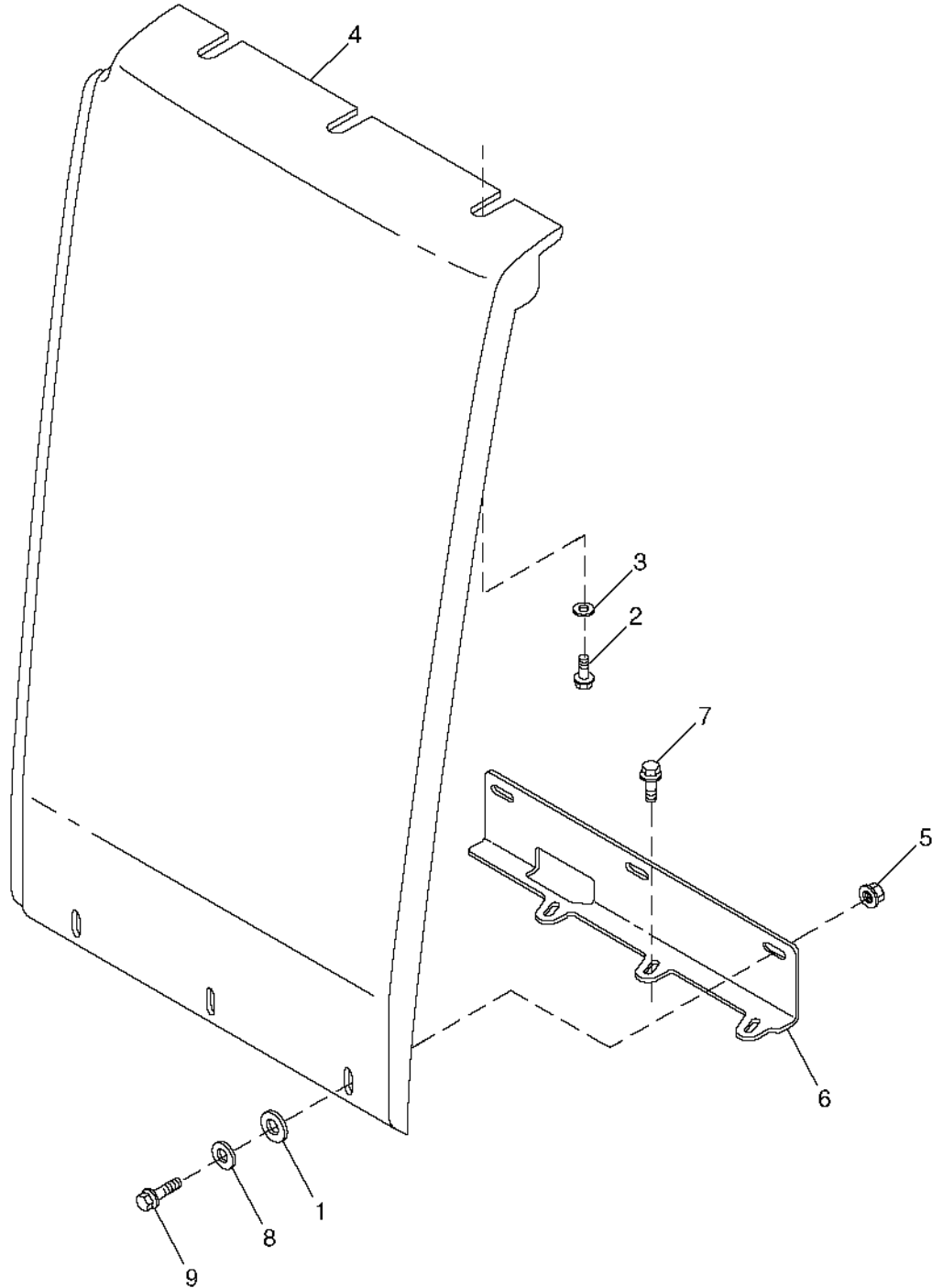
BODY AND SHIELDS

REAR WALL AND SUPPORTS - CONTINUED

KEY	PART NO.	PART NAME	QTY	SERIAL NO.	REMARKS
				9 9	
				6 7	
				5 5	
				0 0	
1	AH164126	DOOR	1	X X	(SUB FOR AH150945)
2	19M7784	SCREW	4	X X	M10 X 20
3	14M7296	FLANGE NUT	4	X X	M10
4	19M7865	SCREW	2	X X	M8 X 16
5	19M7786	SCREW	AR	X X	M10 X 30
6	14M7298	FLANGE NUT	AR	X X	M8
7	H164086	GUSSET	2	X X	
8	H164140	CHANNEL	1	X X	
9	H164089	ANGLE	1	X X	
10	H164281	ANGLE	1	X X	
11	H164491	ANGLE	2	X X	
12	H166513	BRACKET	1	X X	
13	H169086	ANGLE	1	X X	
14	H164139	ANGLE	1	X X	
15	H174485	BRACKET	1	X X	(SUB FOR H164770)
16	H172384	ANGLE	1	X X	
17	AH168475	BRACE	1	X X	(SUB FOR AH166119)
18	AH165877	BULB	1	X X	
19	AH158038	FLOODLAMP	1	X X	
20	AH165881	WIRING HARNESS	1	X X	
21	H172381	ANGLE	1	X X	
22	19M7866	SCREW	AR	X X	M8 X 20
23	H164615	ANGLE	1	X X	
24	AH165899	SUPPORT	1	X X	
25	AA45031	LAMP	2	X X	RED
26	A63127	GASKET	2	X X	
27	A62454	LENS	2	X X	
28	A63635	SCREW	4	X X	
29	AA45032	TURN SIGNAL LAMP	1	X X	AMBER
30	A63127	GASKET	1	X X	
31	A63124	LENS	1	X X	
32	A63635	SCREW	2	X X	
33	14M7396	LOCK NUT	AR	X X	M8

2H19

RIGHT FRONT PANEL
HP8831 -UN-21JUL99



HP8610

2H20

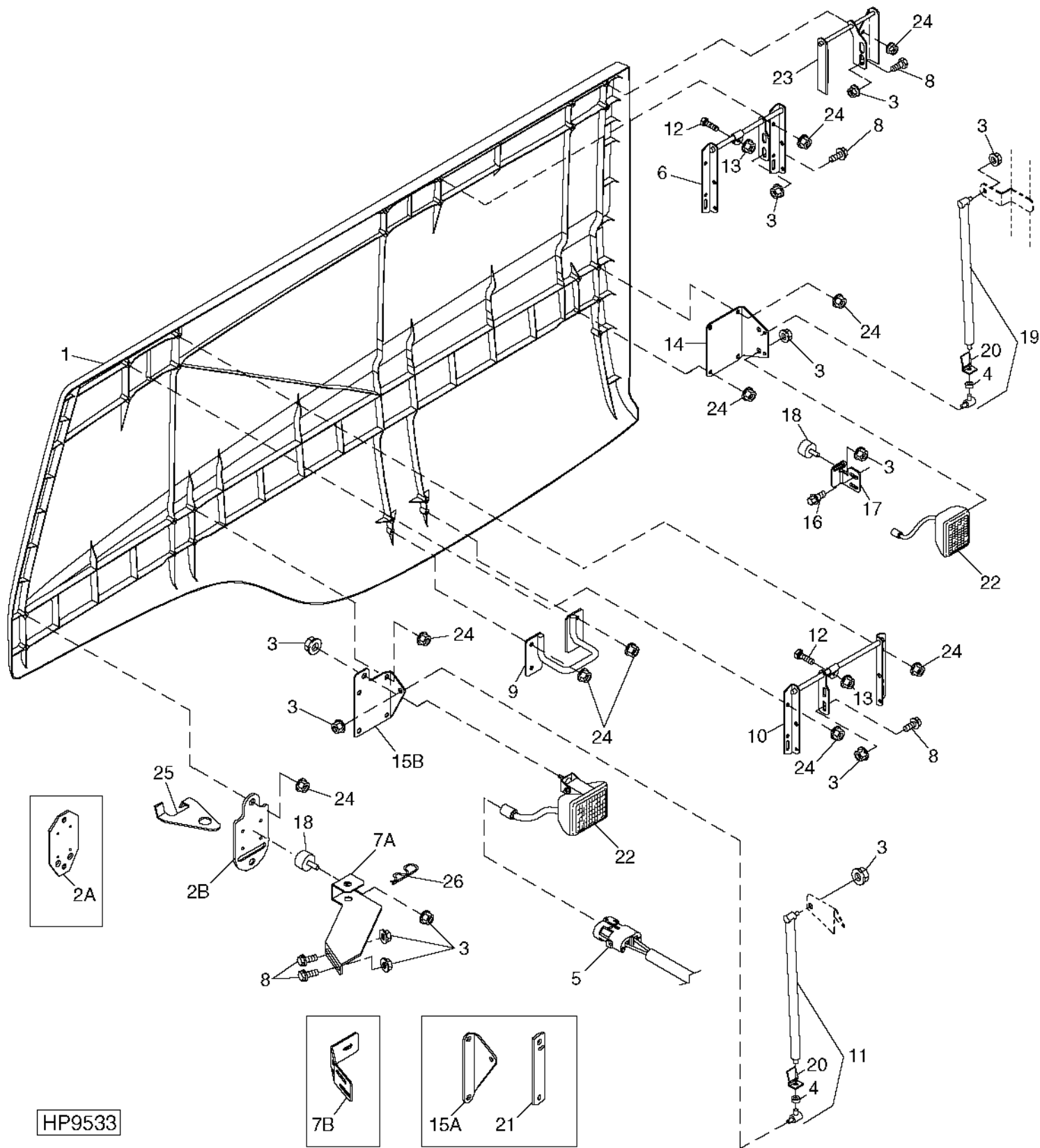
BODY AND SHIELDS

RIGHT FRONT PANEL - CONTINUED

KEY	PART NO.	PART NAME	QTY	SERIAL NO.	REMARKS
				9 9	
				6 7	
				5 5	
				0 0	
1	T25122	WASHER	3	X X	8.4 X 24 X 2 MM
2	19M7866	SCREW	3	X X	M8 X 20
3	24M7178	WASHER	3	X X	10.500 X 30 X 2.500 MM
4	AH150941	PANEL	1	X X	
5	14M7298	FLANGE NUT	6	X X	M8
6	H159281	BRACKET	1	X X	
7	37M7058	SCREW	3	X X	M8 X 20
8	24M7207	WASHER	3	X X	8.400 X 24 X 2 MM
9	19M7798	SCREW	3	X X	M8 X 40

2H21

GULLWING DOOR (R.H.)
HP9533 -UN-14FEB00



HP9533

2H22

BODY AND SHIELDS

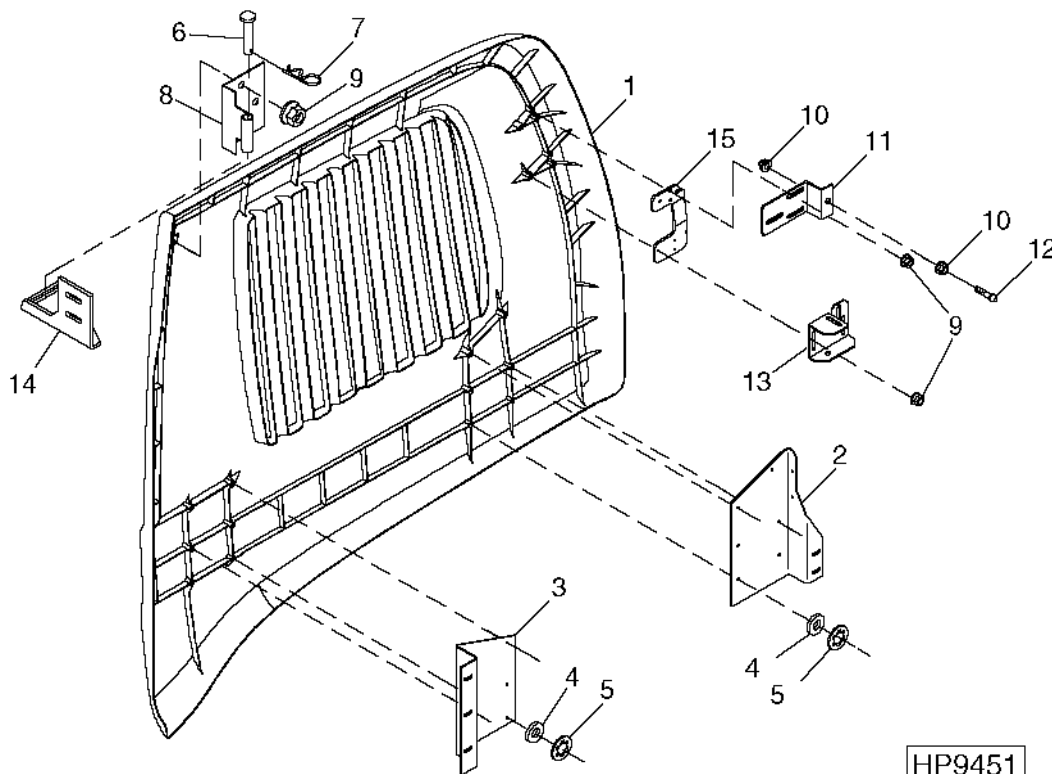
GULLWING DOOR (R.H.) - CONTINUED

KEY	PART NO.	PART NAME	QTY	SERIAL NO.	REMARKS
				9 9	
				6 7	
				5 5	
				0 0	
1	AH150942	DOOR	1	X X	
2A	H171963	PLATE	1	X X	(SUB H173742)
2B	H173742	PLATE	1	X X	
3	14M7298	FLANGE NUT	AR	X X	M8
4	M68701	GROMMET	1	X X	
5	AH154910	WIRING HARNESS	1	X X	SERVICE LIGHT
6	AH167024	HINGE	1	X X	(SUB FOR AH155963)
7A	H167686	BRACKET	1	X X	(SUB H174282)
7B	H174282	BRACKET	1	X X	
8	19M7866	SCREW	12	X X	M8 X 20
9	AH162506	HANDLE	1	X X	
10	AH167025	HINGE	1	X X	
11	AH128597	GAS OPERATED CYLINDER	1	X X	
12	19M7077	CAP SCREW	2	X X	M6 X 20
13	14M7272	NUT	2	X X	M6
14	H165412	BRACKET	1	X X	
15A	H167535	BRACKET	1	X X	(SUB H173462)
15B	H173462	BRACKET	1	X X	
16	37M7058	SCREW	2	X X	M8 X 20
17	H172505	BRACKET	1	X X	
18	AH154566	BUMPER	2	X X	
19	AH161392	ANGLE BLADE CYLINDER	1	X X	
20	H135965	STOP	1	X X	
21	H169896	BRACKET	1	X X	
22	AH163668	LAMP	1	X X	(SUB AH168385) SERVICE LIGHT
	AH168385	LAMP	1	X X	
	AH166909	BULB	1	X X	
23	AH167029	HINGE	1	X X	(SUB FOR AH166212)
24	14M7396	LOCK NUT	AR	X X	M8
25	H173743	BRACKET	1	X X	
26	J16931	SPRING LOCKING PIN	1	X X	
..	BH81525	COMPLETE GOODS/SHIP. BUNDLE	1	X X	SERVICE LIGHTS CONVERSION

2H23

R.H. REAR DOOR (RADIATOR)

HP9451 -UN-21JAN00



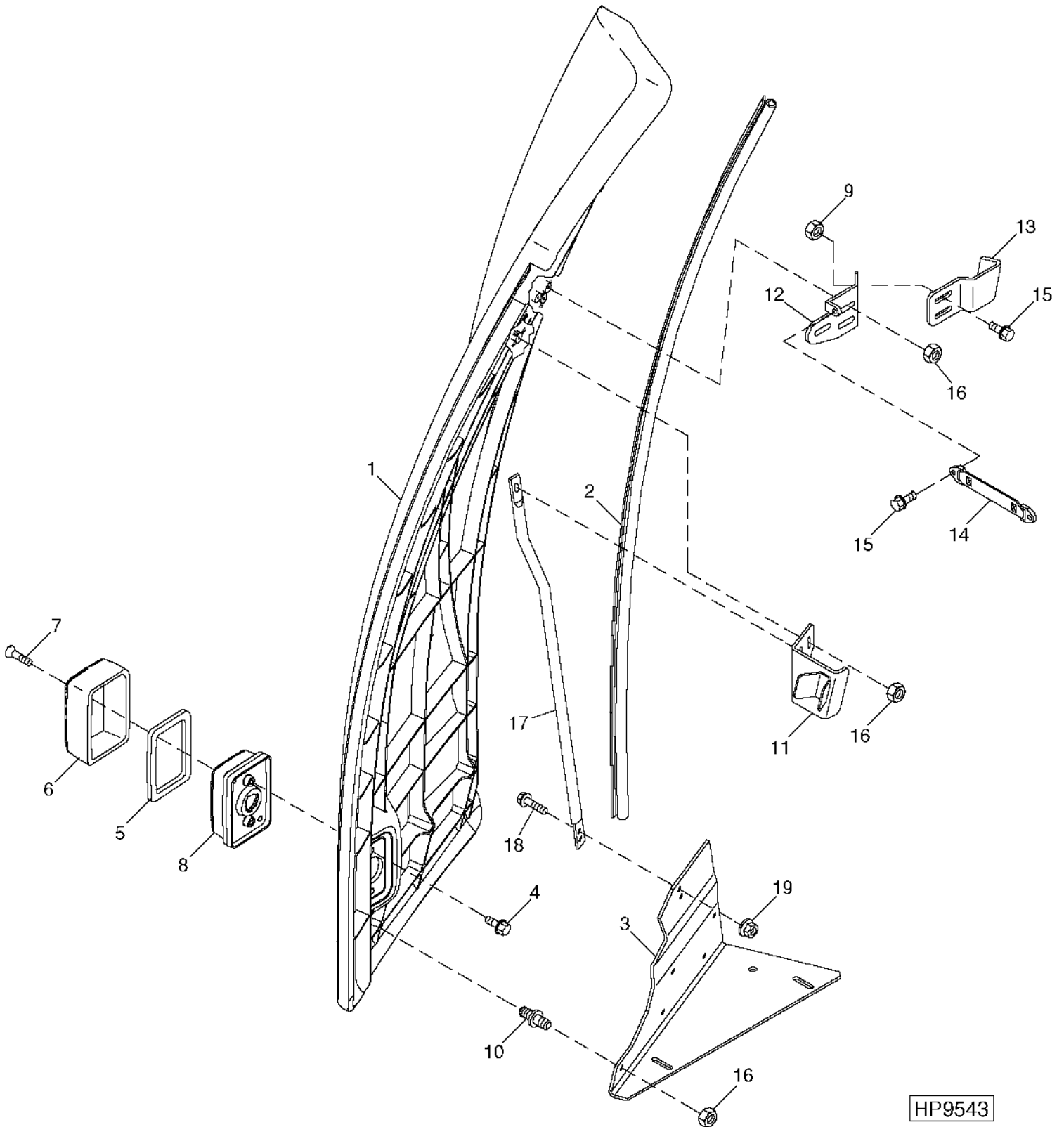
9 9
6 7
5 5
0 0

KEY	PART NO.	PART NAME	QTY	SERIAL NO.	REMARKS
1	AH150943	DOOR	1	X X	
2	H164272	BRACKET	1	X X	
3	H164271	BRACKET	1	X X	
4	24M7207	WASHER	AR	X X	8.400 X 24 X 2 MM
5	H141123	NUT	AR	X X	
6	45M7048	PIN	1	X X	12 X 100 MM
7	B32630	SPRING LOCKING PIN	1	X X	
8	H172268	HINGE	1	X X	
9	14M7298	FLANGE NUT	7	X X	M8
10	14M7299	FLANGE NUT	2	X X	M12
11	H170729	ANGLE	1	X X	
12	H133042	PIN	1	X X	
13	H170735	BRACKET	1	X X	
14	H172223	PLATE	1	X X	
15	H173724	PLATE	1	X X	

MEMORANDA

2H24

REAR ACCESS DOOR
HP9543 -UN-07FEB00



HP9543

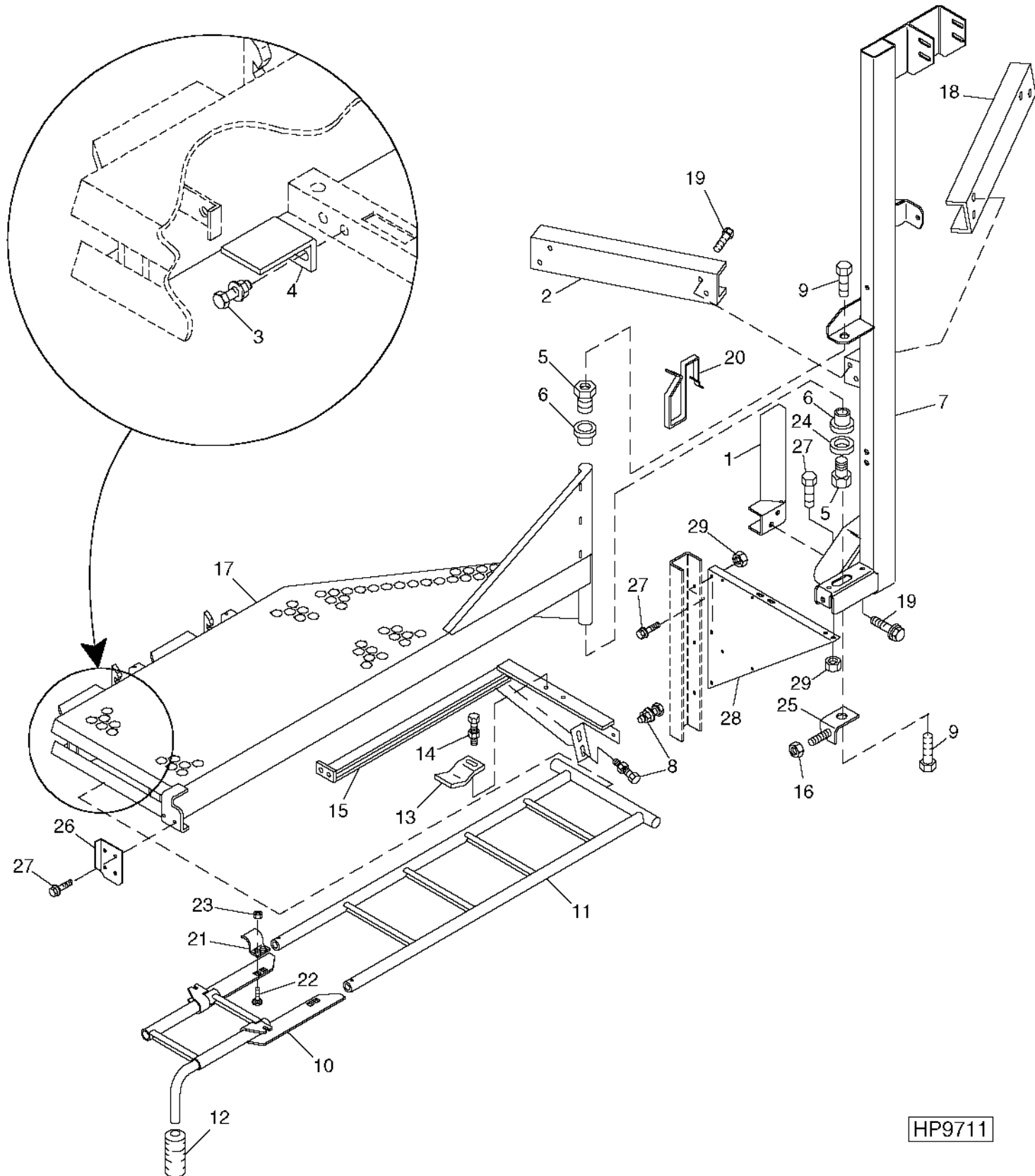
2H25

BODY AND SHIELDS

REAR ACCESS DOOR - CONTINUED

KEY	PART NO.	PART NAME	QTY	SERIAL NO.	REMARKS
				9 9	
				6 7	
				5 5	
				0 0	
1	AH164125	DOOR	1	X X	
2	AH160405	SEAL	1	X X	
3	H173563	BRACKET	1	X X	(SUB FOR H171034)
4	19M7865	SCREW	2	X X	M8 X 16
5	A63127	GASKET	1	X X	
6	A63124	LENS	1	X X	
7	A63635	SCREW	2	X X	
8	AA45032	TURN SIGNAL LAMP	1	X X	
9	14M7298	FLANGE NUT	AR	X X	M8
10	H169900	STUD	4	X X	
	H170272	STUD	7	X X	
11	AH167712	ANGLE	1	X X	(SUB FOR AH165617)
12	AH165853	PLATE	1	X X	
13	H166888	LATCH	1	X X	
14	AH160404	STRAP	1	X X	
15	M78471	SCREW	2	X X	
	19M7866	SCREW	1	X X	M8 X 20
16	14M7396	LOCK NUT	AR	X X	M8
17	H173566	TUBE	1	X X	
18	19M7785	SCREW	3	X X	M10 X 25
19	14M7296	FLANGE NUT	3	X X	M10

REAR LANDING AND LADDER
HP9711 -UN-17APR00



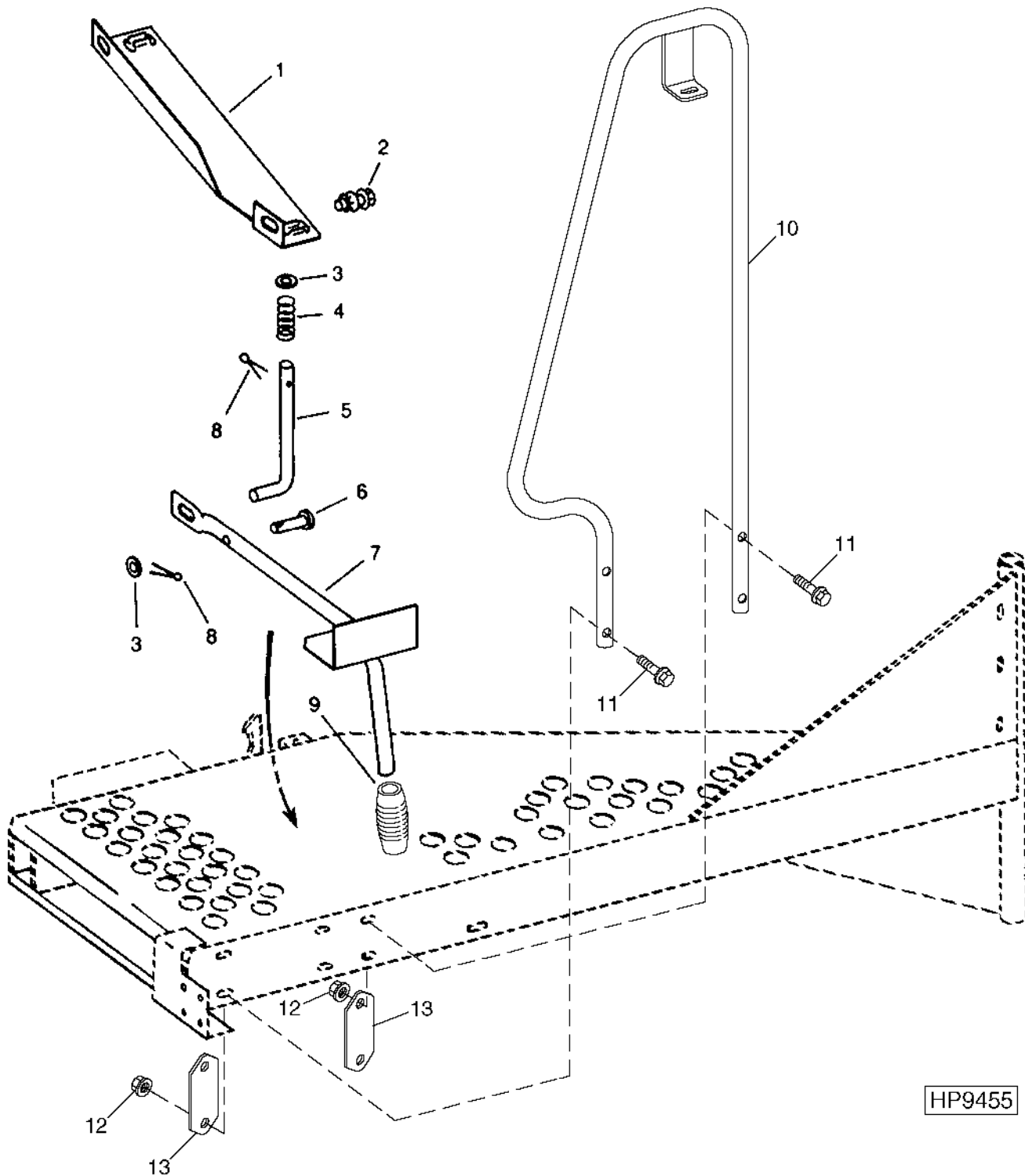
HP9711

REAR LANDING AND LADDER - CONTINUED

KEY	PART NO.	PART NAME	QTY	SERIAL NO.	REMARKS
				9 9	
				6 7	
				5 5	
				0 0	
1	H159371	CHANNEL	1	X X	
2	H160295	CHANNEL	1	X X	
3	19M7775	SCREW	2	X X	M6 X 16
	14M7303	FLANGE NUT	2	X X	M6
4	H167134	ANGLE	2	X X	
5	H119411	PIN	2	X X	
6	T40867	BUSHING	2	X X	
7	AH166641	BRACKET	1	X X	
8	19M7865	SCREW	4	X X	M8 X 16
	14M7298	FLANGE NUT	4	X X	M8
9	BOLT	2	X X	
10	AH160432	LADDER	1	X X	REAR LOWER EXTENSION
11	AH140111	LADDER	1	X X	REAR
12	C3203E	GRIP	1	X X	
13	H120082	LATCH	1	X X	
14	19M7774	SCREW	2	X X	M6 X 12
	14M7303	FLANGE NUT	2	X X	M6
15	AH130193	CHANNEL	1	X X	
16	A31867	LOCK NUT	1	X X	
17	AH160152	LADDER	1	X X	LANDING ASSEMBLY
18	H160294	CHANNEL	1	X X	
19	19M7785	SCREW	12	X X	M10 X 25
	14M7400	LOCK NUT	12	X X	M10
20	H64612	CLIP	1	X X	
21	H167133	BRACKET	2	X X	
22	03M7184	BOLT	4	X X	M8 X 20
23	14M7396	LOCK NUT	4	X X	M8
24	Z39386	WASHER	1	X X	
25	AH120216	ADJUSTER	1	X X	
26	H166206	BRACKET	1	X X	
27	19M7784	SCREW	AR	X X	M10 X 20
28	H160296	PLATE	1	X X	
29	14M7296	FLANGE NUT	AR	X X	M10
..	AH160406	TAPE	8	X X	

REAR LADDER LANDING LATCH ARM AND HANDRAIL

HP9455 -UN-22DEC99



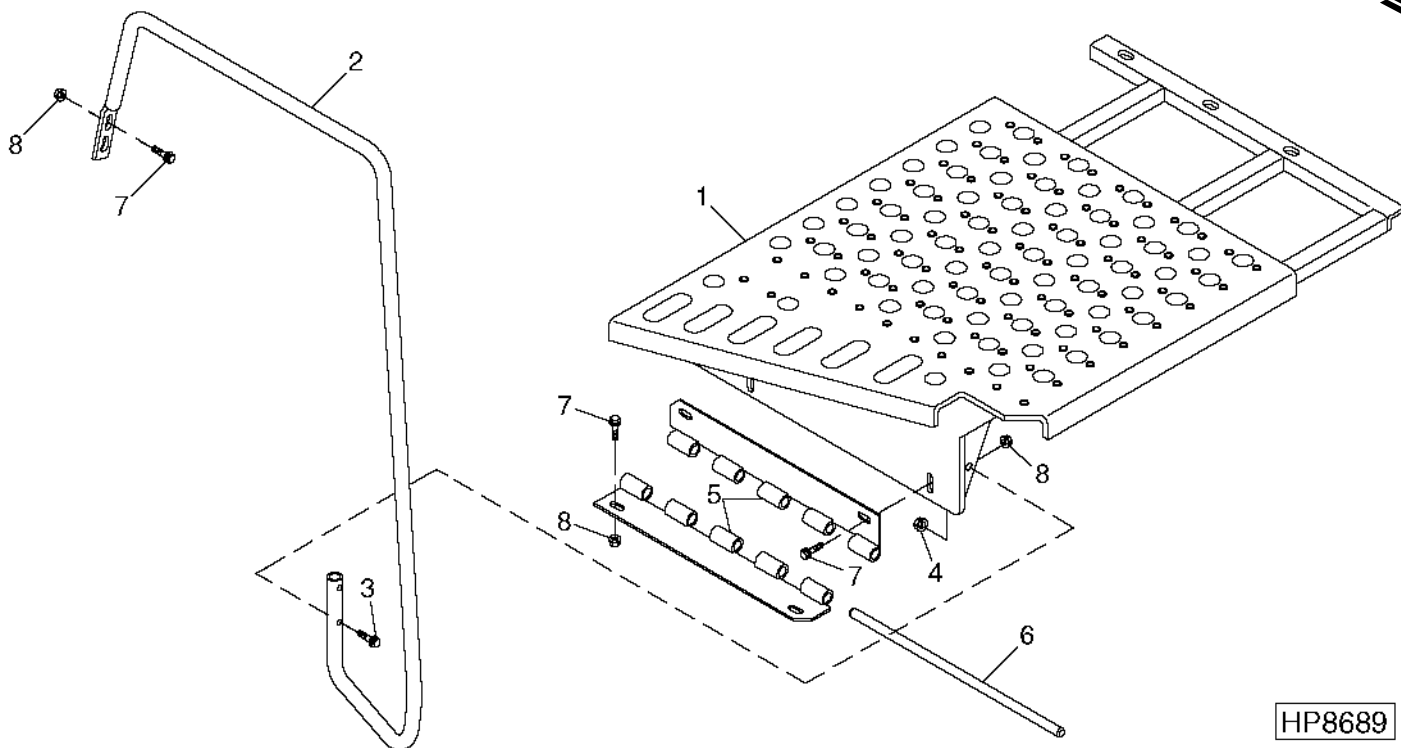
HP9455

REAR LADDER LANDING LATCH ARM AND HANDRAIL - CONTINUED

KEY	PART NO.	PART NAME	QTY	SERIAL NO.	REMARKS
				9 9	
				6 7	
				5 5	
				0 0	
1	H140881	CATCH	1	X X	
2	19M7784	SCREW	2	X X	M10 X 20
	14M7296	FLANGE NUT	2	X X	M10
3	24H1341	WASHER	2	X X	17/32" X 15/16" X 0.060"
4	Y3082BN	SPRING	1	X X	
5	H140872	PIN	1	X X	
6	45M7054	PIN	1	X X	10 X 50 MM
7	AH167563	ARM	1	X X	(SUB FOR AH163354)
8	11M7059	COTTER PIN	2	X X	3.200 X 20 MM
9	C3203E	GRIP	1	X X	
10	AH157765	HANDRAIL	1	X X	
11	19M7806	SCREW	4	X X	M10 X 50
12	14M7296	FLANGE NUT	4	X X	M10
13	H173723	STRAP	2	X X	

REAR FIXED LANDING AND HANDRAIL

HP8689 -UN-29JUN99



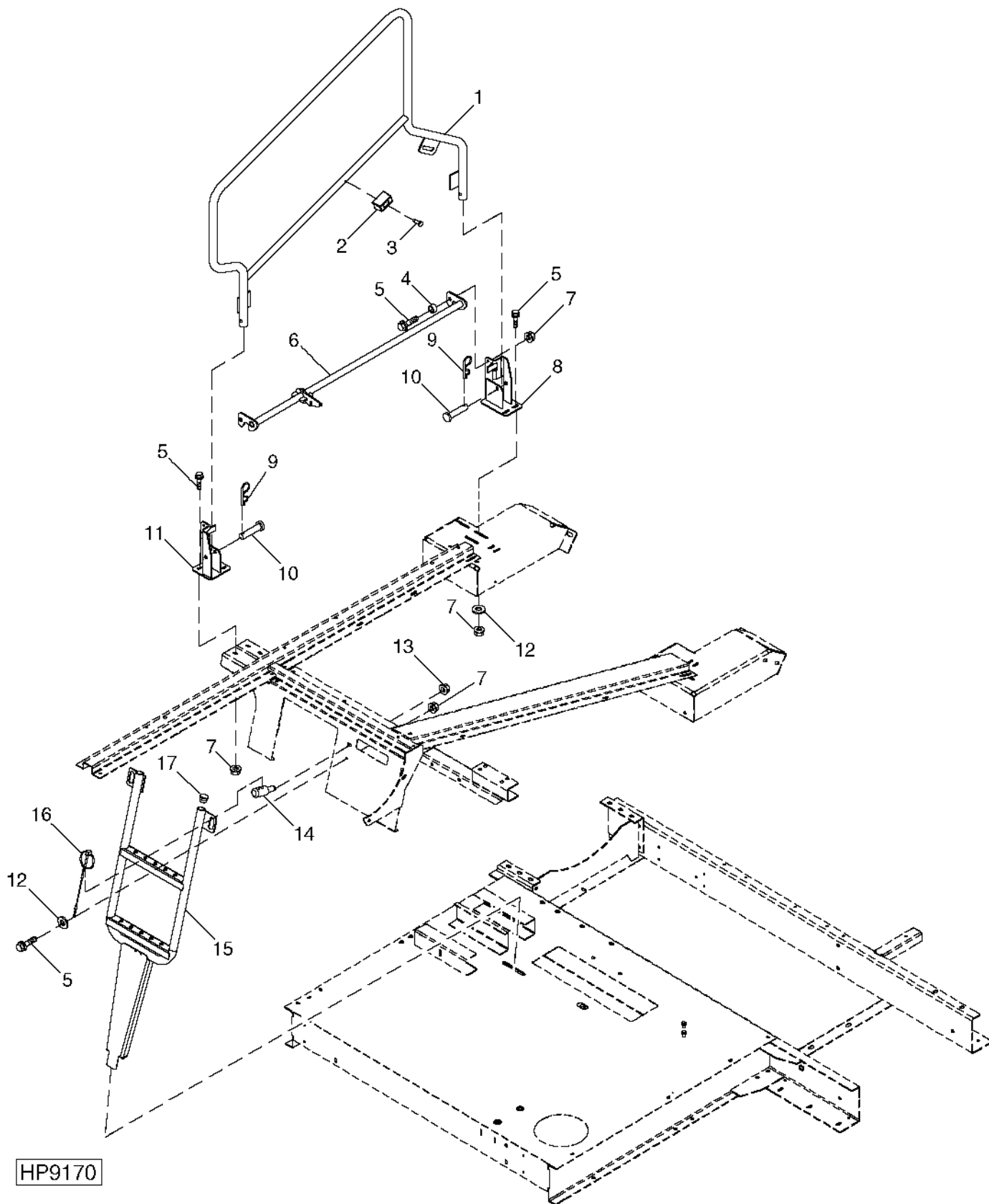
HP8689

KEY	PART NO.	PART NAME	QTY	SERIAL NO.	REMARKS
				9 9	
				6 7	
				5 5	
				0 0	
1	AH156346	PLATFORM	1	X X	
2	H163653	HANDRAIL	1	X X	
3	19M7806	SCREW	2	X X	M10 X 50
4	14M7296	FLANGE NUT	2	X X	M10
5	H165675	HINGE	2	X X	
6	H164767	PIN	1	X X	
7	19M7866	SCREW	6	X X	M8 X 20
8	14M7298	FLANGE NUT	6	X X	M8

MEMORANDA

ENGINE PLATFORM LADDER AND HANDRAIL

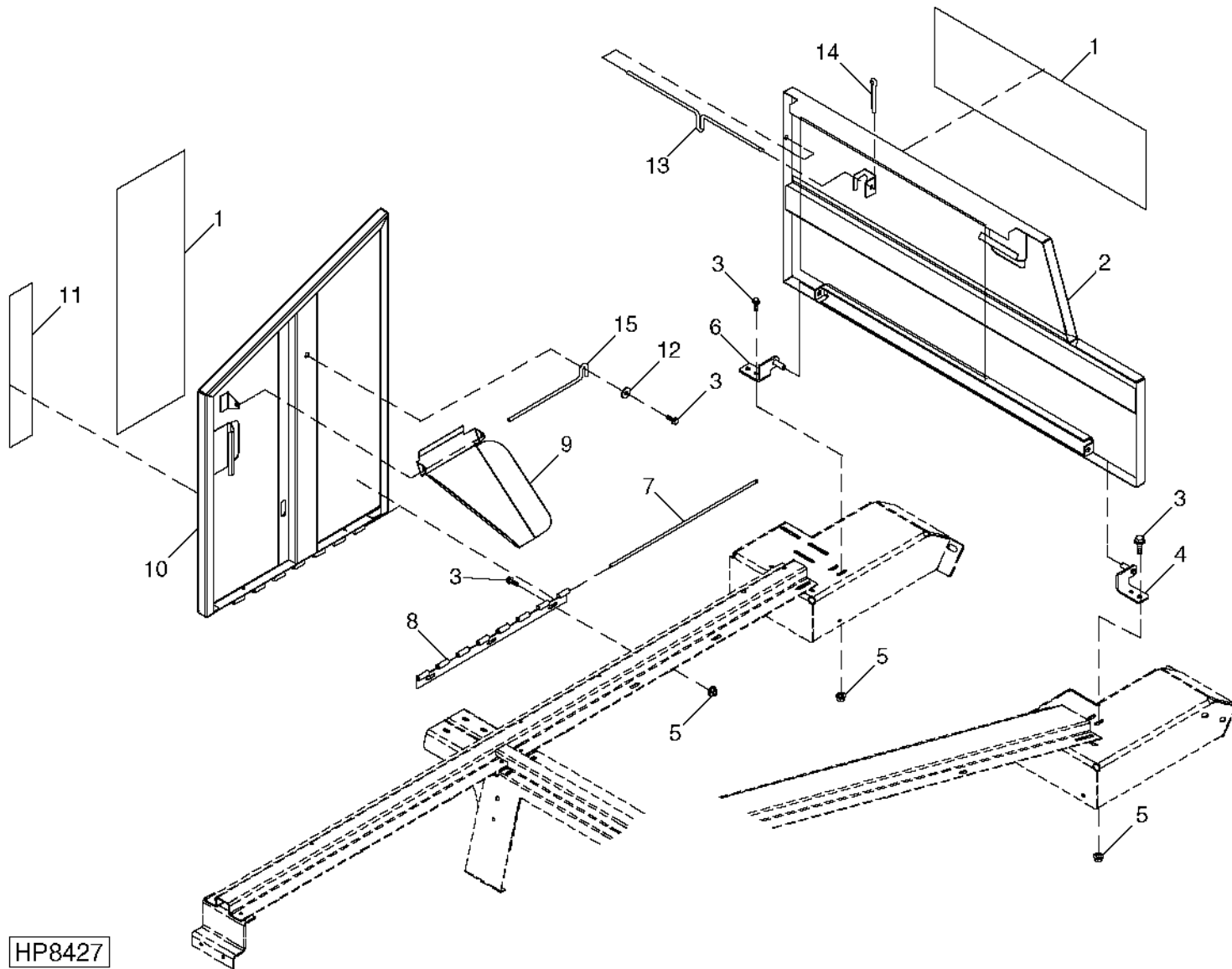
HP9170 -UN-11OCT99



ENGINE PLATFORM LADDER AND HANDRAIL - CONTINUED

KEY	PART NO.	PART NAME	QTY	SERIAL NO.	REMARKS
				9 9	
				6 7	
				5 5	
				0 0	
1	AH166732	RAIL	1	X X	USE WITH HIGH CAPACITY AIR CLEANER
	AH159451	RAIL	1	X	USE WITH STANDARD AIR CLEANER
2	AH163347	BUMPER	1	X X	
3	37M7046	SCREW	1	X X	
4	28H3376	SPACER	1	X X	0.364" X 0.540" X 9/16"
5	19M7867	SCREW	10	X X	M8 X 25
6	AH159454	BRACKET	1	X X	
7	14M7298	FLANGE NUT	10	X X	M8
8	AH159478	SUPPORT	1	X X	
9	11M7059	COTTER PIN	2	X X	3.200 X 20 MM
10	45M7050	PIN	2	X X	
11	AH161707	SUPPORT	1	X X	
12	24M7024	WASHER	5	X X	9 X 28 X 3 MM
13	14M7296	FLANGE NUT	2	X X	M10
14	H154757	STUD	2	X X	
15	AH163749	LADDER	1	X X	
16	AH135290	QUICK LOCK PIN	2	X X	
17	H165547	PLUG	2	X X	

ENGINE ACCESS DOORS
HP8427 -UN-27JUL99



HP8427

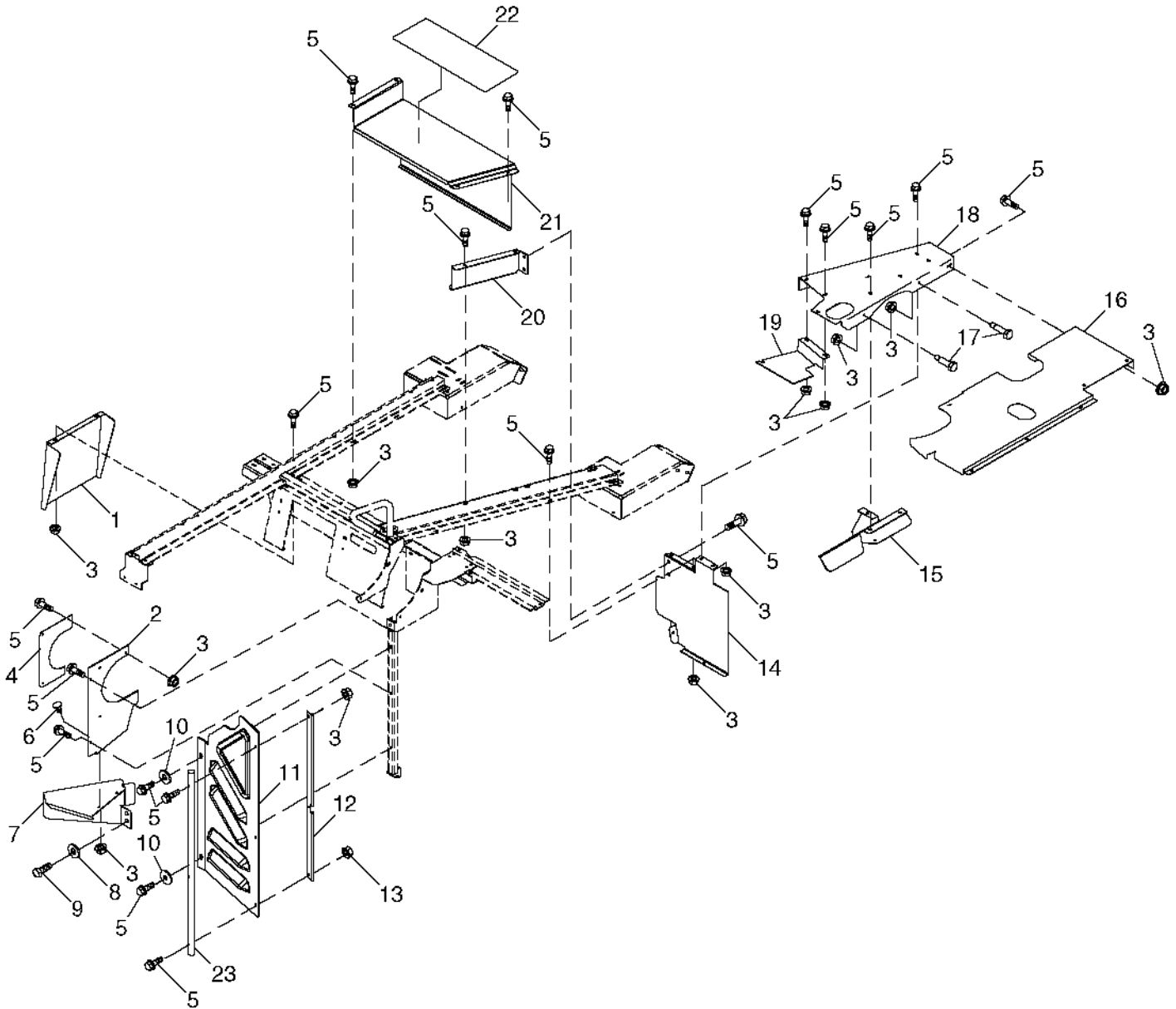
ENGINE ACCESS DOORS - CONTINUED

KEY	PART NO.	PART NAME	QTY	SERIAL NO.	REMARKS
				9 9	
				6 7	
				5 5	
				0 0	
1	H136014	MAT	3	X X	
2	AH160117	DOOR	1	X X	
3	19M7867	SCREW	8	X X	M8 X 25
4	AH159906	BRACKET	1	X X	
5	14M7298	FLANGE NUT	7	X X	M8
6	AH159907	BRACKET	1	X X	
7	H160376	PIN	1	X X	
8	H168993	HINGE	1	X X	
9	H166806	DEFLECTOR	1	X X	
10	AH160196	DOOR	1	X X	
11	H131743	MAT	2	X X	
12	24M7024	WASHER	1	X X	9 X 28 X 3 MM
13	H168212	LATCH	1	X X	
14	11M7059	COTTER PIN	1	X X	3.200 X 20 MM
15	H168376	ROD	1	X X	

2110

ENGINE COVERS AND AIR DEFLECTORS

HP9178 -UN-14OCT99



HP9178

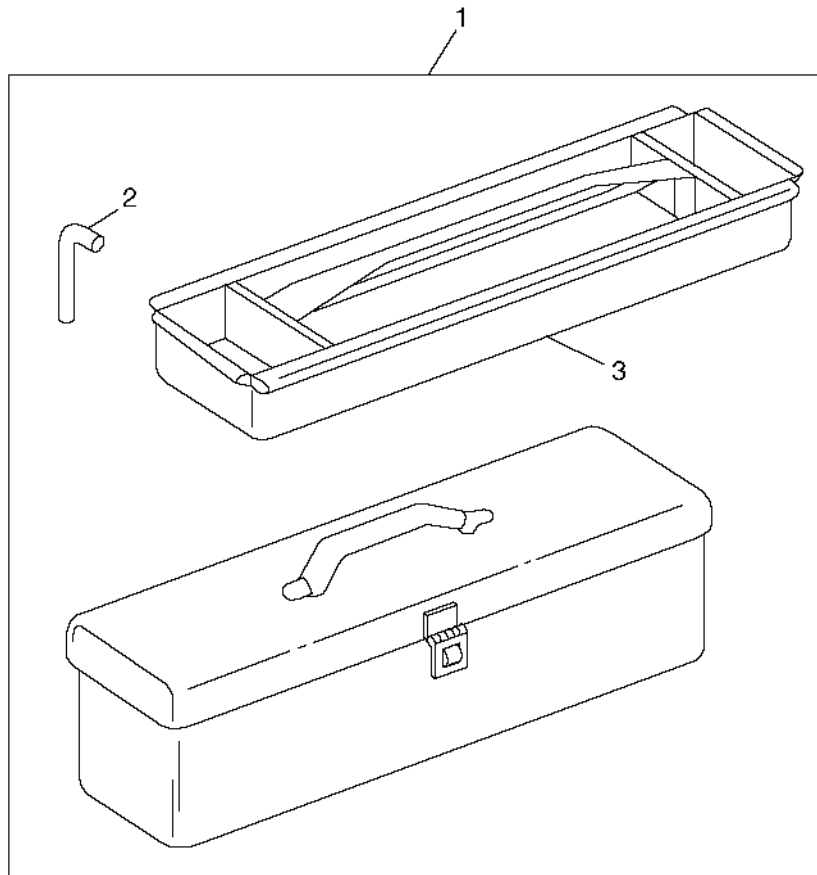
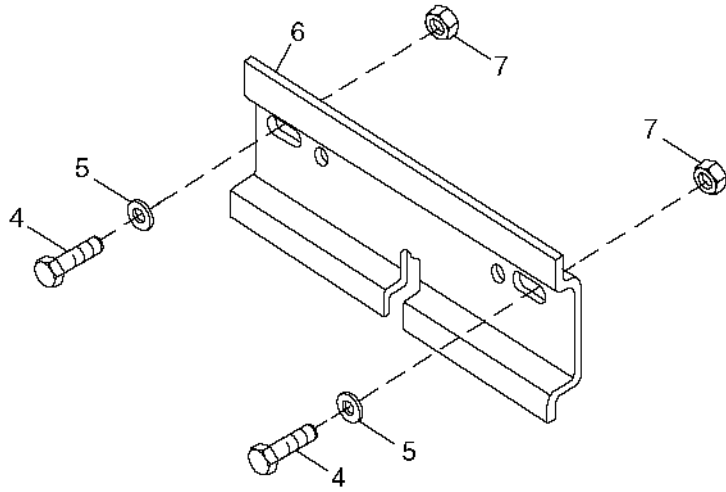
ENGINE COVERS AND AIR DEFLECTORS - CONTINUED

KEY	PART NO.	PART NAME	QTY	SERIAL NO.	REMARKS
				9 9	
				6 7	
				5 5	
				0 0	
1	H165435	DEFLECTOR	1	X X	
2	H172789	SHIELD	1	X X	
3	14M7298	FLANGE NUT	AR	X X	M8
4	H169108	PLATE	1	X X	
5	19M7867	SCREW	AR	X X	M8 X 25
6	03M7183	BOLT	1	X X	M8 X 16
7	H165438	DEFLECTOR	1	X X	
8	24H1373	WASHER	1	X X	21/32" X 1-9/16" X 0.180"
9	19H1708	CAP SCREW	1	X X	5/8" X 1-3/4"
10	24M7024	WASHER	2	X X	9 X 28 X 3 MM
11	H168302	DOOR	1	X X	
12	H168303	HINGE	1	X X	
13	14M7396	LOCK NUT	1	X X	M8
14	H166791	SHIELD	1	X X	
15	AH160207	DEFLECTOR	1	X X	
16	H166638	COVER	1	X X	
17	H140715	BOLT	2	X X	
18	H166639	COVER	1	X X	
19	H164152	PLATE	1	X X	
20	H166792	COVER	1	X X	
21	AH162366	COVER	1	X X	(SUB AH168008)
	AH168008	COVER	1	X X	
22	H136014	MAT	1	X X	
23	H172320	STRAP	1	X X	

2112

TOOL BOX
HP9583

-UN-11FEB00



HP9583

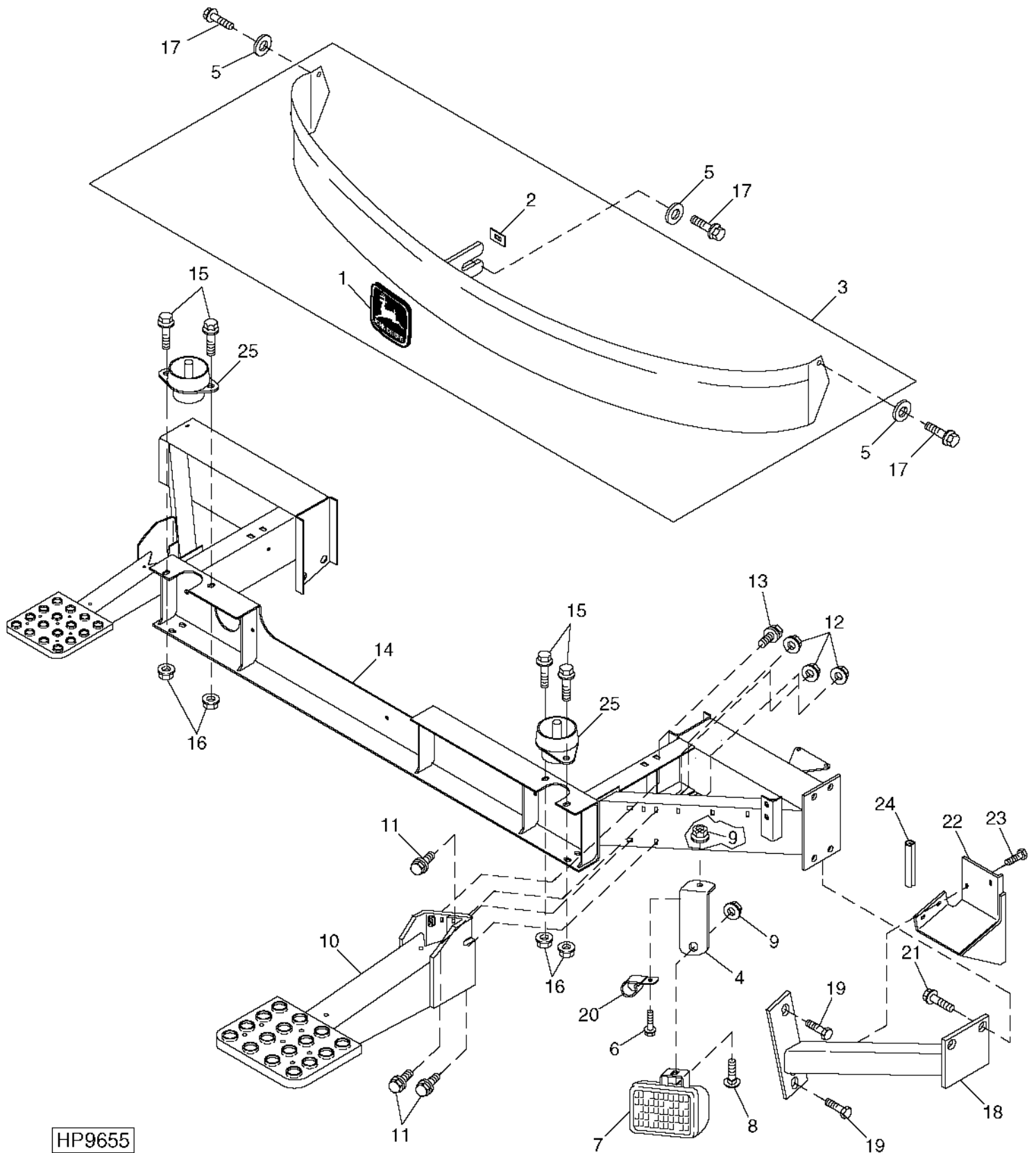
TOOL BOX - CONTINUED

KEY	PART NO.	PART NAME	QTY	SERIAL NO.	REMARKS
				9 9	
				6 7	
				5 5	
				0 0	
1	AT22070	TOOLBOX	1		
2	T23027	PIN	1		
3	AT22073	HOLDER	1		
4	19M7784	SCREW	2		M10 X 20
5	24M7178	WASHER	2		10.500 X 30 X 2.500 MM
6	T23033	BRACKET	1		
7	14M7296	FLANGE NUT	2		M10

MEMORANDA

MEMORANDA

CAB SUPPORT
HP9655 -UN-29MAR00

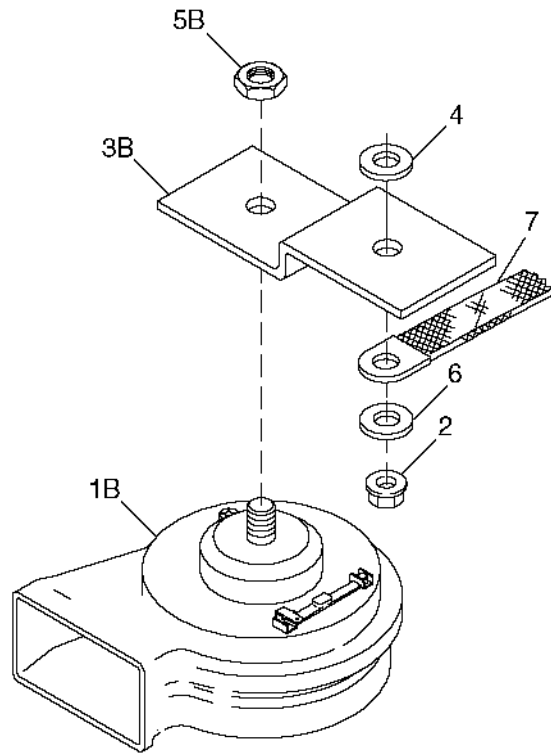
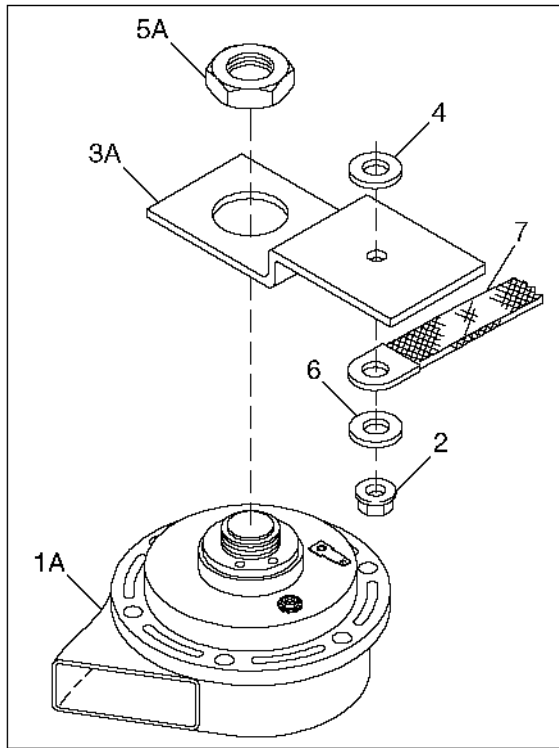


HP9655

CAB SUPPORT - CONTINUED

KEY	PART NO.	PART NAME	QTY	SERIAL NO.	REMARKS
				9 9	
				6 7	
				5 5	
				0 0	
1	H149480	LABEL	1	X X	
2	H98111	NUT	8	X X	
3	AH154509	SHIELD	1	X X	
4	H172003	BRACKET	2	X X	
5	24M7207	WASHER	3	X X	8.400 X 24 X 2 MM
6	19M7865	SCREW	6	X X	M8 X 16
7	AH163667	LAMP	2	X X	(SUB AH168403) STUBBLE LIGHT
	AH168403	LAMP	1	X X	
	AH166909	BULB	1	X X	
8	03M7183	BOLT	2	X X	M8 X 16
9	14M7298	FLANGE NUT	2	X X	M8
10	AH130594	STEP	1	X X	
11	19M7785	SCREW	3	X X	M10 X 25
12	14M7296	FLANGE NUT	3	X X	M10
13	19M7784	SCREW	1	X X	M10 X 20
14	AH154597	SUPPORT	1	X X	
15	19M7789	SCREW	4	X X	M12 X 30
16	14M7299	FLANGE NUT	4	X X	M12
17	37M7058	SCREW	3	X X	M8 X 20
18	AH144743	SUPPORT	1	X X	
19	37M7086	SCREW	2	X X	M10 X 20
20	AH89557	CLIP	2	X X	
21	19M7792	SCREW	2	X X	M16 X 30
22	AH155207	SHIELD	1	X X	
23	37M7058	SCREW	2	X X	M8 X 20
24	AH122244	ISOLATOR	1	X X	
25	AH108299	RUBBER MOUNT	2	X X	

HORN ASSEMBLY
HP9236 -UN-11NOV99



9 9
6 7
5 5
0 0

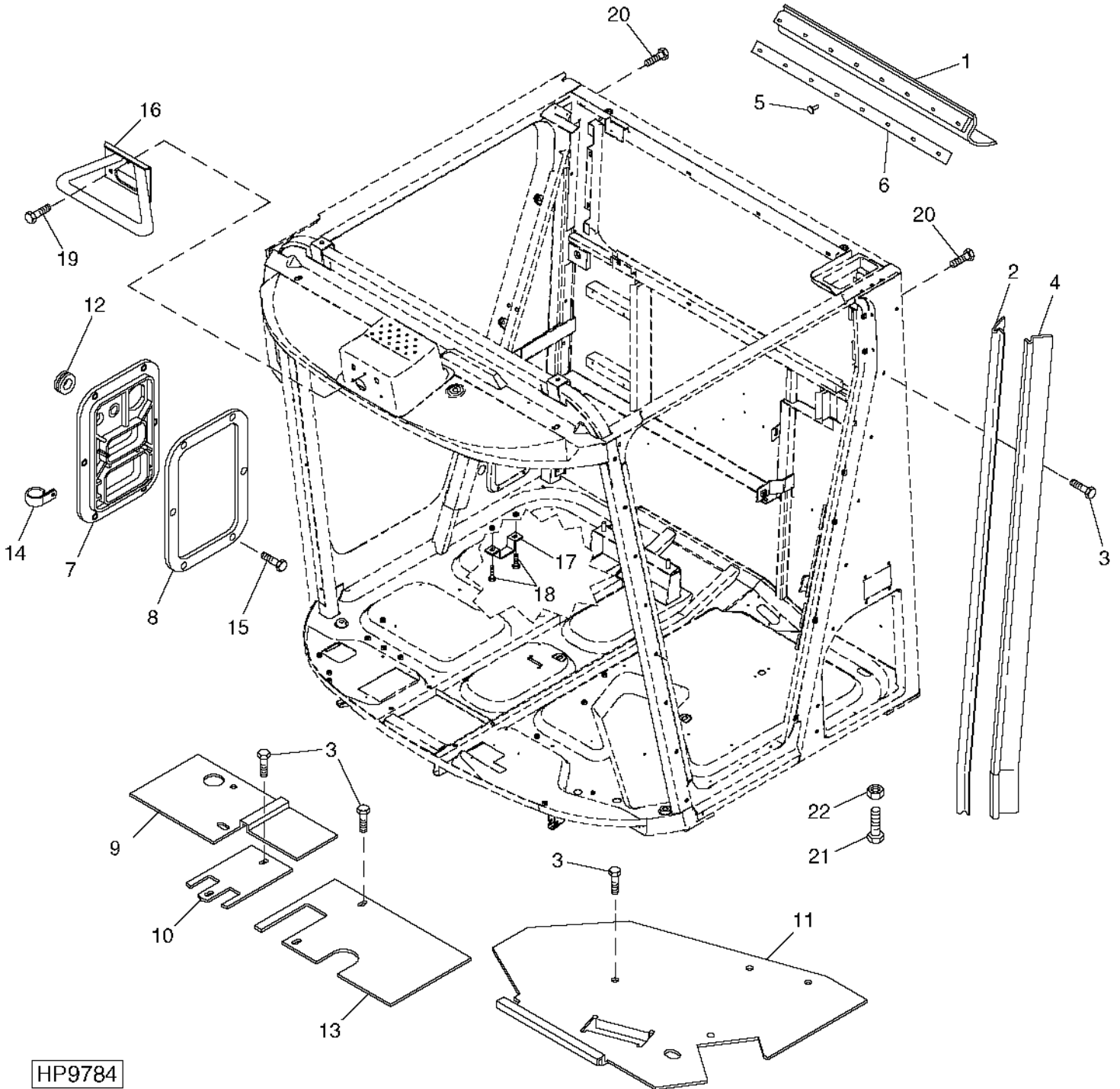
KEY	PART NO.	PART NAME	QTY	SERIAL NO.	REMARKS
1A	AT39043	HIGH NOTE HORN	1	X X	(SUB AH166260, H160476 AND 14M7303)
1B	AH166260	HORN	1	X X	(USE WITH H160476 AND 14M7303)
2	14M7303	FLANGE NUT	1	X X	M6
3A	H125930	BRACKET	1	X X	
3B	H160476	BRACKET	1	X X	(SUB AH166260 AND 14M7303)
4	PT2314	WASHER	1	X X	
5A	R11278	NUT	1	X X	
5B	14M7303	FLANGE NUT	1	X X	M6, (SUB AH166260 AND H160476)
6	24M7139	WASHER	1	X X	6.400 X 18 X 1.600 MM
7	AH165023	JUMPER	1	X X	CAB

MEMORANDA

2120

OPERATOR'S STATION

CAB REAR, SIDE AND FLOOR PANELS
HP9784 -UN-06JUN00

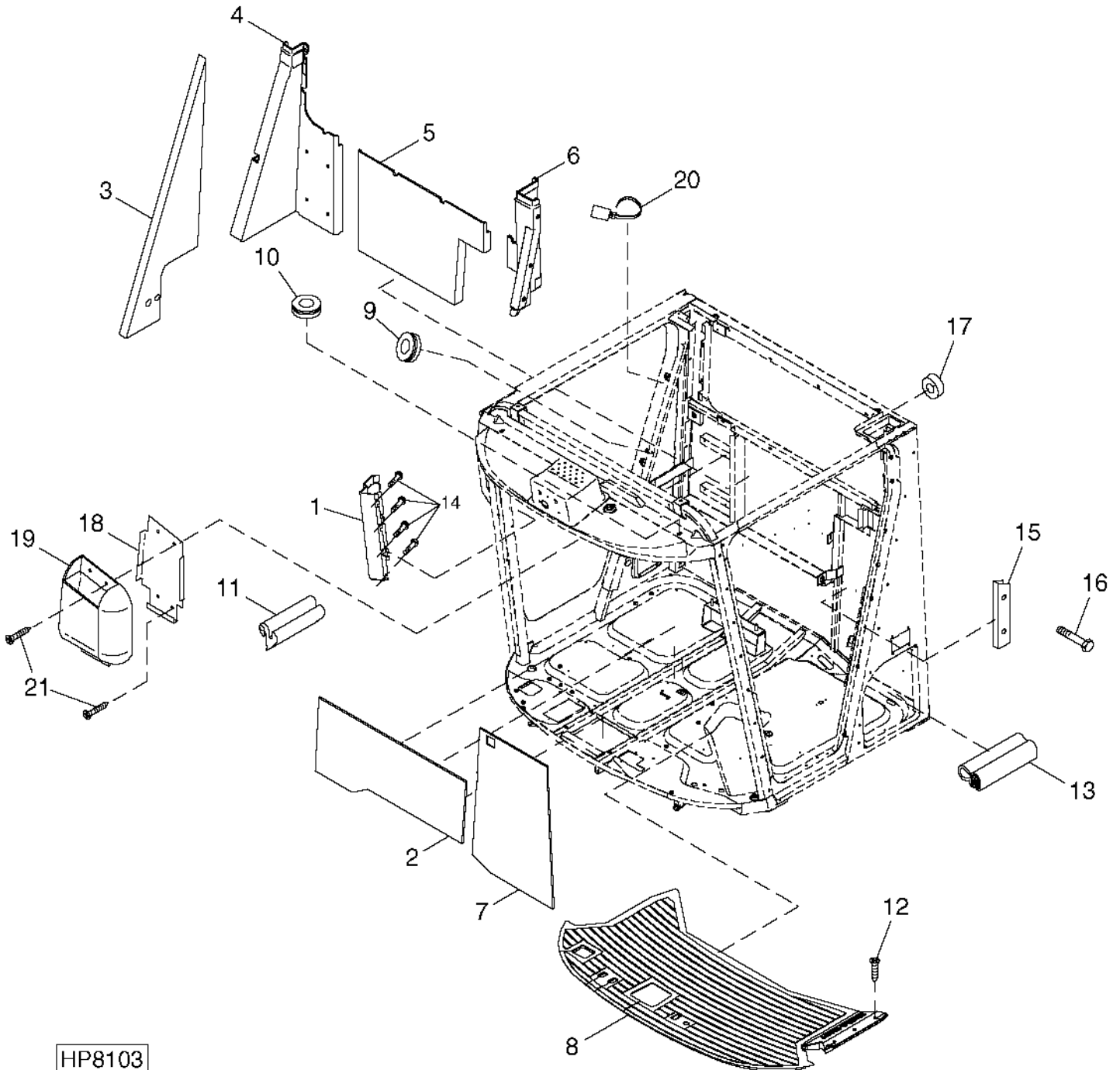


HP9784

CAB REAR, SIDE AND FLOOR PANELS - CONTINUED

KEY	PART NO.	PART NAME	QTY	SERIAL NO.	REMARKS
				9 9	
				6 7	
				5 5	
				0 0	
1	H135614	SEAL	2	X X	
2	H133391	BRACKET	1	X X	
3	37M7089	SCREW	14	X X	M6 X 12
4	AH141774	SEAL	1	X X	
5	H85233	RIVET	16	X X	
6	H135615	RETAINER	2	X X	
7	H169194	PLATE	1	X X	
8	H169613	SEAL	1	X X	
9	H133665	SHEET	1	X X	
10	H124260	PLATE	1	X X	
11	H133666	SHEET	1	X X	
12	H131300	GROMMET	1	X X	
13	H141292	PLATE	1	X X	
14	AH90990	CLIP	1	X X	
15	37M7131	SCREW	6	X X	M6 X 20
16	AH162746	HANDLE	1	X X	
17	H131574	RETAINER	1	X X	
18	19M7865	SCREW	2	X X	M8 X 16
19	H162748	SCREW	3	X X	
20	19M7268	CAP SCREW	2	X X	M12 X 25
21	19M2972	CAP SCREW	1	X X	M8 X 45
22	14M7259	NUT	1	X X	M16

CAB INTERIOR PANELS, SEALS AND FLOOR MAT
HP8103 -UN-08JUL99

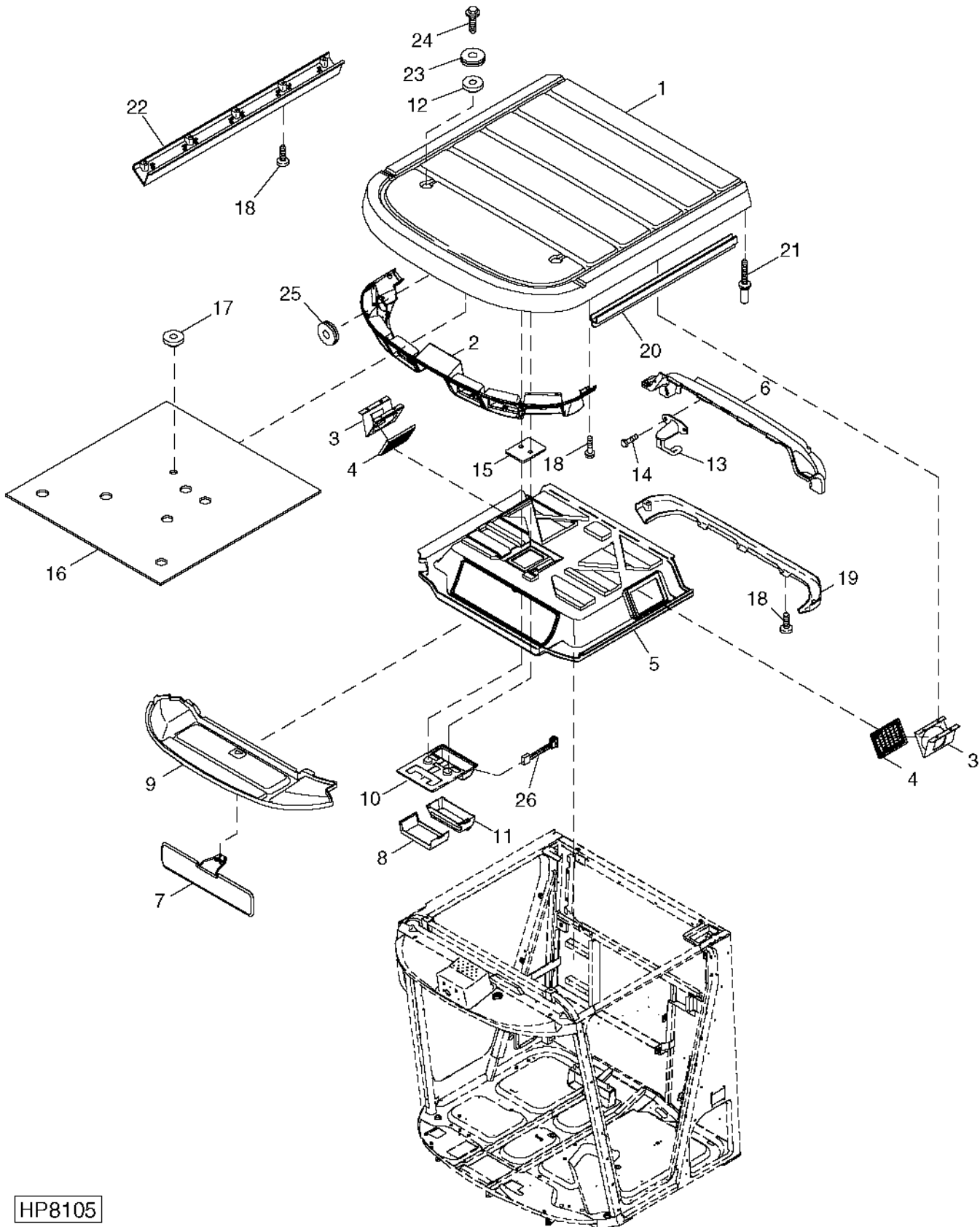


HP8103

CAB INTERIOR PANELS, SEALS AND FLOOR MAT - CONTINUED

KEY	PART NO.	PART NAME	QTY	SERIAL NO.	REMARKS
				9 9	
				6 7	
				5 5	
				0 0	
1	AH155929	BRACKET	1	X X	
2	AH159716	BARRIER	1	X X	R.H.
3	H125511	FOAM PAD	1	X X	R.H.
	AH127674	BARRIER	1	X X	L.H.
4	AH156943	PANEL	1	X X	
5	AH146854	PANEL	1	X X	
6	AH120891	PANEL	1	X X	
7	AH159715	BARRIER	1	X X	L.H.
8	AH165073	MAT	1	X X	
9	R50456	GROMMET	1	X X	SMALL
10	H36221	GROMMET	1	X X	LARGE
11	AH106010	WEATHERSTRIP	1	X X	R.H. SIDE WINDOW
12	37M7160	SCREW	3	X X	M6 X 16
13	AH80335	WEATHERSTRIP	1	X X	
14	37M7089	SCREW	4	X X	M6 X 12
15	H124210	COVER	2	X X	
16	H132451	CAP SCREW	2	X X	
17	H987R	GROMMET	1	X X	
18	H165215	PANEL	1	X X	
19	H161126	CONTAINER	1	X X	
20	H138297	TIE BAND	1	X X	EMERGENCY EXIT HANDLE
21	H165249	SCREW	4	X X	

INTERIOR CAB ROOF
HP8105 -UN-08JUL99



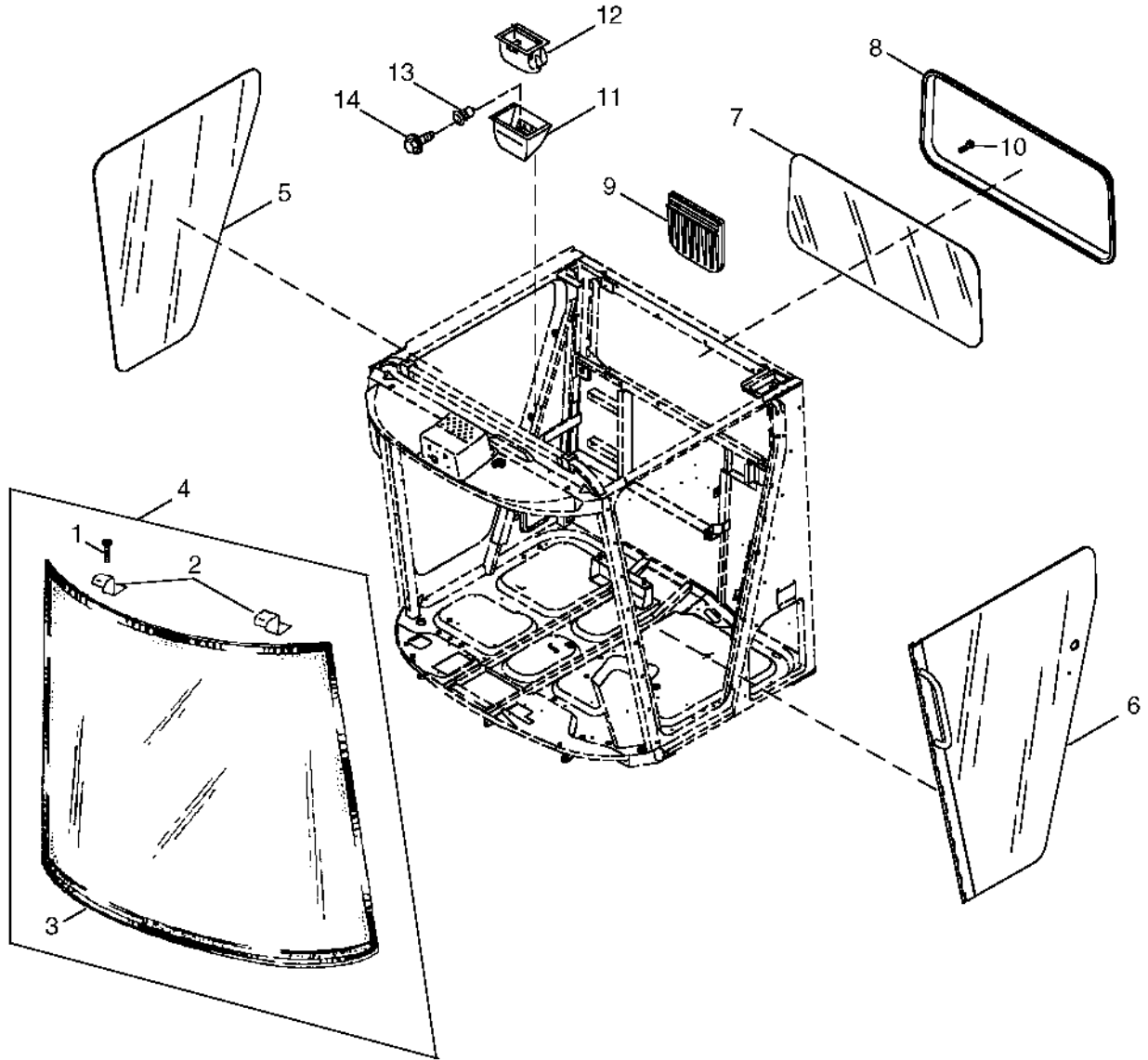
HP8105

INTERIOR CAB ROOF - CONTINUED

KEY	PART NO.	PART NAME	QTY	SERIAL NO.	REMARKS
				9 9	
				6 7	
				5 5	
				0 0	
1	AH153796	ROOF	1	X X	
2	H165400	HOUSING	1	X X	
3	H144472	SUPPORT	2	X X	
4	H153352	GRILLE	2	X X	SPEAKER
	H145264	ISOLATOR	2	X X	FOAM PAD, SPEAKER GRILLE
5	AH159236	HEADLINER	1	X X	
6	AH146852	HEADLINER	1	X X	
7	AH151123	SUN VISOR	1	X X	
8	H131982	LENS	1	X X	DOMELIGHT
9	AH159238	HEADLINER	1	X X	
10	H160729	BASE	1	X X	DOMELIGHT
	57M7173	BULB	2	X X	DOMELIGHT
11	AH154218	COVER	1	X X	DOMELIGHT
12	H123991	SEALING WASHER	2	X X	
13	L113023	HOOK	1	X X	
14	37M7074	SCREW	2	X X	
15	H169512	SHEET	1	X X	
16	AH160592	PLANE	1	X X	
17	24M7178	WASHER	1	X X	10.500 X 30 X 2.500 MM
18	H123995	SCREW	23	X X	
19	H143460	COVER	1	X X	
20	AH120541	SEAL	1	X X	
21	H123740	STUD	4	X X	
22	H130301	COVER	2	X X	
23	24M7051	WASHER	2	X X	21 X 37 X 3 MM
24	19M7789	SCREW	2	X X	M12 X 30
25	H123796	GROMMET	1	X X	
26	AH153910	SWITCH	1	X X	

2J1

CAB GLASS AND DOOR
HP8102 -UN-14MAY99

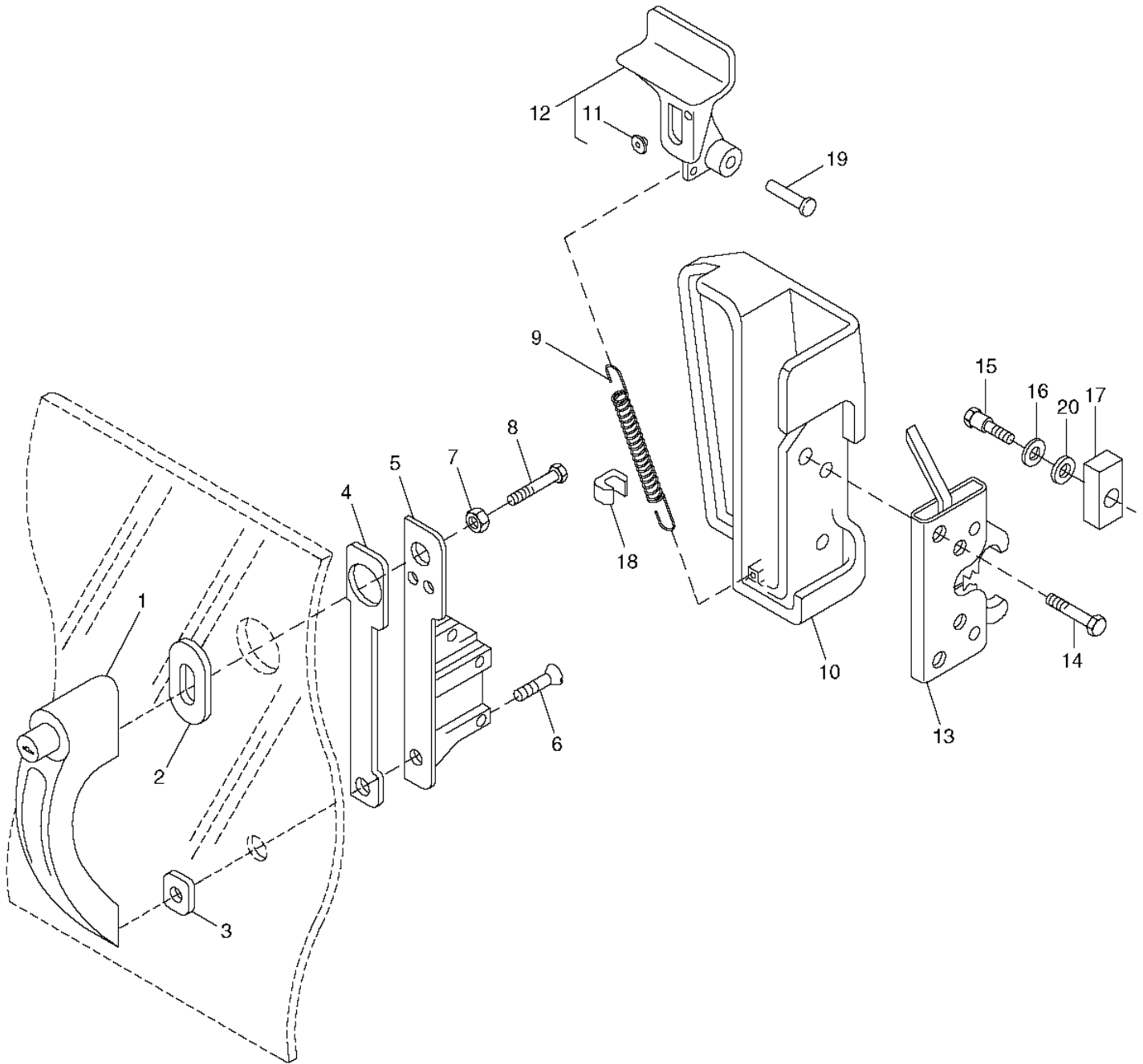


HP8102

CAB GLASS AND DOOR - CONTINUED

KEY	PART NO.	PART NAME	QTY	SERIAL NO.	REMARKS
				9 9	
				6 7	
				5 5	
				0 0	
1	19M7866	SCREW	2	X X	M8 X 20
2	AH132819	BRACKET	2	X X	
3	WINDSHIELD	1	X X	
4	AH166648	WINDSHIELD KIT	1	X X	
5	H123794	WINDOWPANE	1	X X	
6	AH154280	DOOR	1	X X	
7	H125769	WINDOWPANE	1	X X	
8	H153394	BEZEL	1	X X	
9	H169403	PAD	1	X X	
10	H165689	SCREW	12	X X	
11	H165490	HOUSING	1	X X	
12	AH104259	ASHTRAY	1	X X	
13	H169634	NUT	2	X X	
14	37M7160	SCREW	2	X X	M6 X 16

CAB DOOR LATCH
HP8513 -UN-23APR99



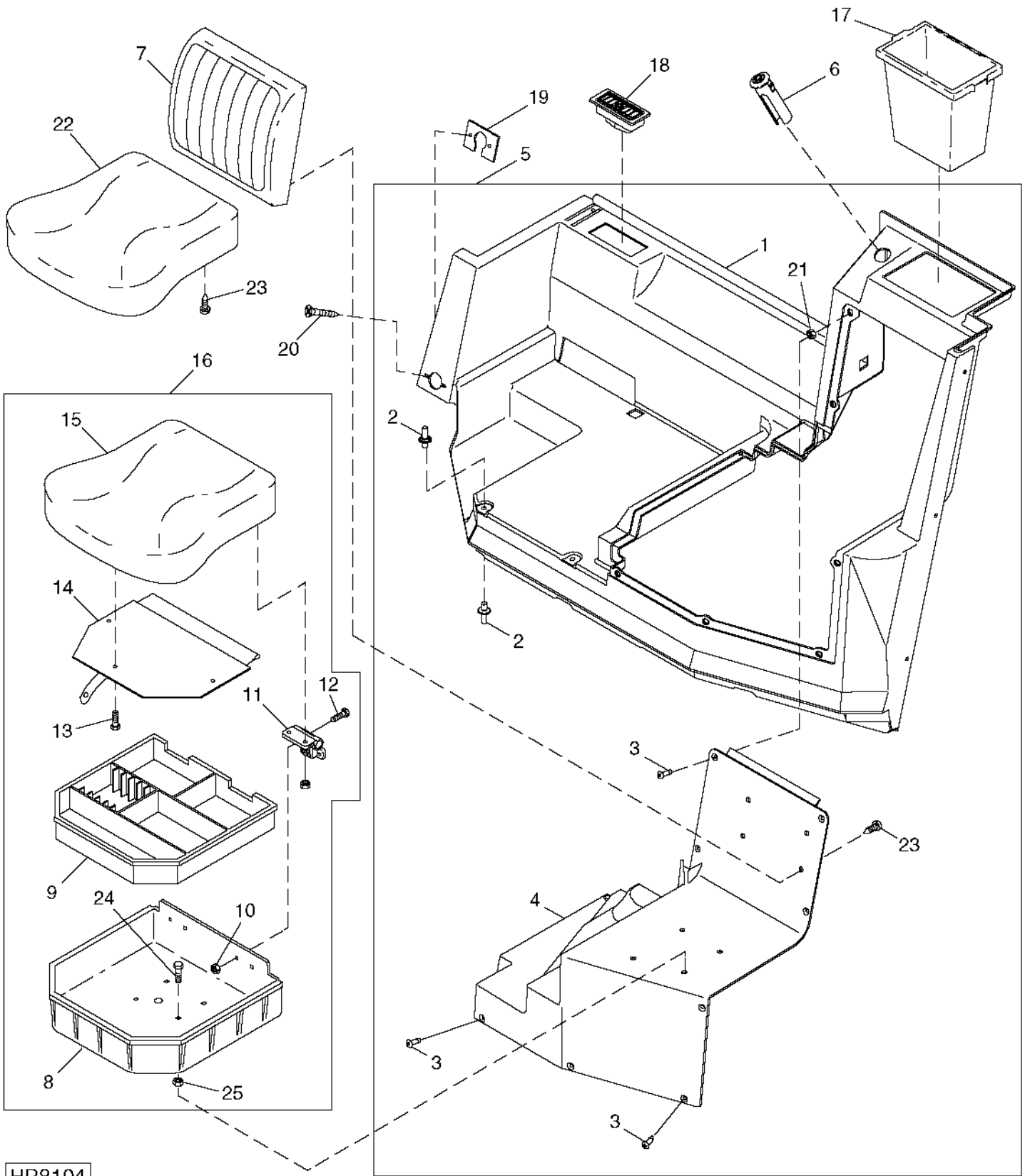
HP8513

CAB DOOR LATCH - CONTINUED

KEY	PART NO.	PART NAME	QTY	SERIAL NO.	9 6 5 0	9 7 5 0	REMARKS
1	RE35161	HANDLE	1		X	X	
2	H126081	BEZEL	1		X	X	
3	H126082	BEZEL	1		X	X	
4	H126083	ISOLATOR	1		X	X	
5	H133414	SUPPORT	1		X	X	
6	21M7334	SCREW	3		X	X	M6 X 25
7	14H786	NUT	1		X	X	1/4"
8	19H1898	CAP SCREW	1		X	X	1/4" X 1-1/2"
9	H134671	EXTENSION SPRING	1		X	X	
10	H150047	HOUSING	1		X	X	
11	H145893	BUMPER	1		X	X	
12	AH140838	HANDLE	1		X	X	
13	AH128585	LATCH	1		X	X	
14	19M8326	CAP SCREW	3		X	X	M6 X 35
15	H136589	BOLT	1		X	X	
16	24H1219	WASHER	AR		X	X	7/16" X 1" X 0.083"
17	H133219	ADJUSTING STRAP	1		X	X	
18	H107566	ISOLATOR	1		X	X	
19	H136056	PIN	1		X	X	0.236" X 1.457"
20	H136590	DISK SPRING	2		X	X	0.415" X 0.945" X 0.118"
..	TY9370	ADHESIVE	1		X	X	6 OZ. MEDIUM STRENGTH

2J5

SEAT CONSOLE
HP8104 -UN-09JUL99



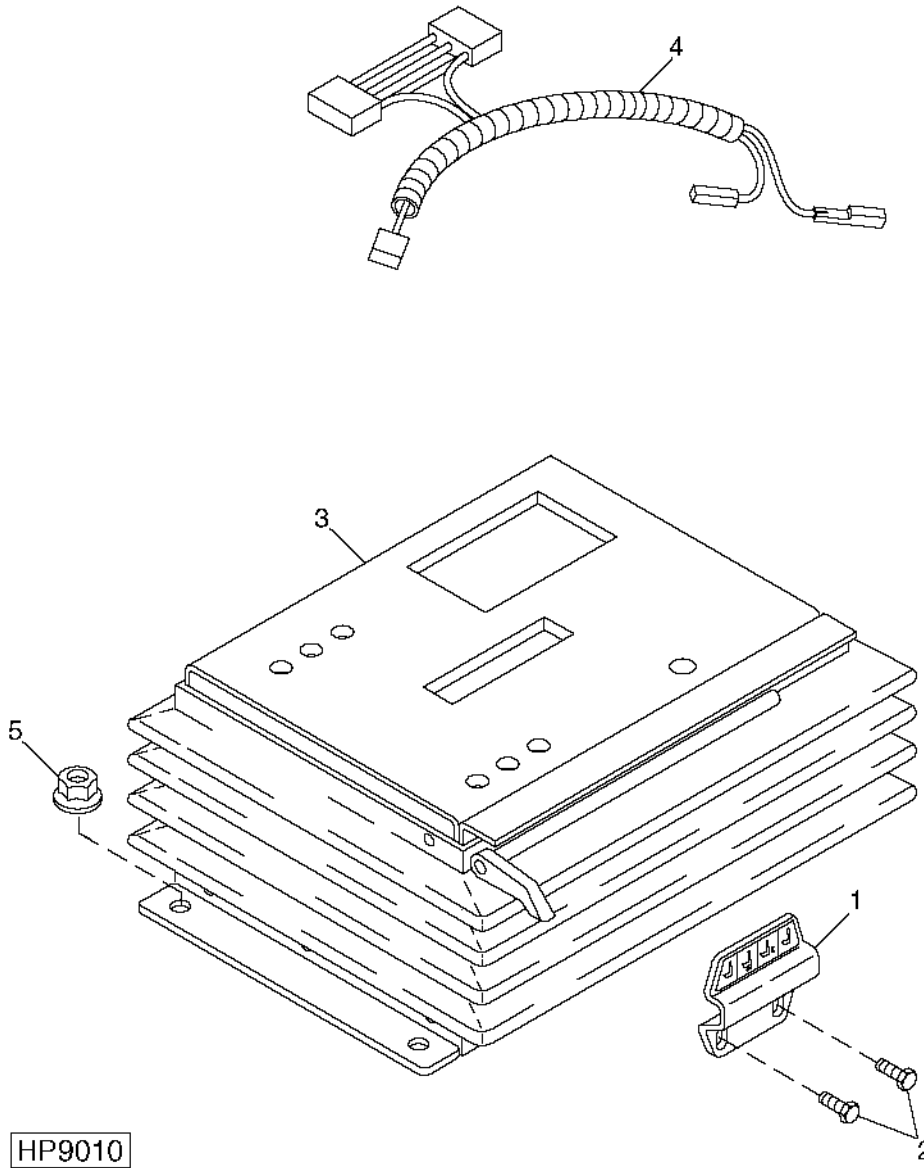
HP8104

SEAT CONSOLE - CONTINUED

KEY	PART NO.	PART NAME	QTY	SERIAL NO.	REMARKS
				9 9	
				6 7	
				5 5	
				0 0	
1	CONSOLE	1	X X	
2	H168781	STUD	6	X X	
3	H165691	SCREW	8	X X	
4	H167912	SPINDLE	1	X X	
5	AH161348	CONSOLE	1	X X	
6	H161023	FITTING	1	X X	
7	AH147173	SEAT	1	X X	
8	H169083	PAN	1	X X	
9	H169082	TRAY	1	X X	
10	14M7303	FLANGE NUT	8	X X	M6
11	AH162559	HINGE	2	X X	
12	03M7221	BOLT	4	X X	M6 X 16
13	37M7214	SCREW	3	X X	4.8MM DIA. X 9.5MM
14	AH165634	FOLDER	1	X X	
15	AH161755	SEAT	1	X X	
16	AH155276	SEAT	1	X X	W/FIELD OFFICE
17	H168433	CONTAINER	1	X X	
18	AH134724	LOUVER	1	X X	
19	H167337	BRACKET	1	X X	
20	37M7155	SCREW	2	X X	4.8 X 13 MM
21	H169634	NUT	8	X X	
22	AH161754	SEAT	1	X X	
23	19M8331	CAP SCREW	8	X X	M8 X 20
24	03M7184	BOLT	4	X X	M8 X 20
25	14M7298	FLANGE NUT	4	X X	M8

2J7

AIR SEAT SUSPENSION
HP9010 -UN-03SEP99



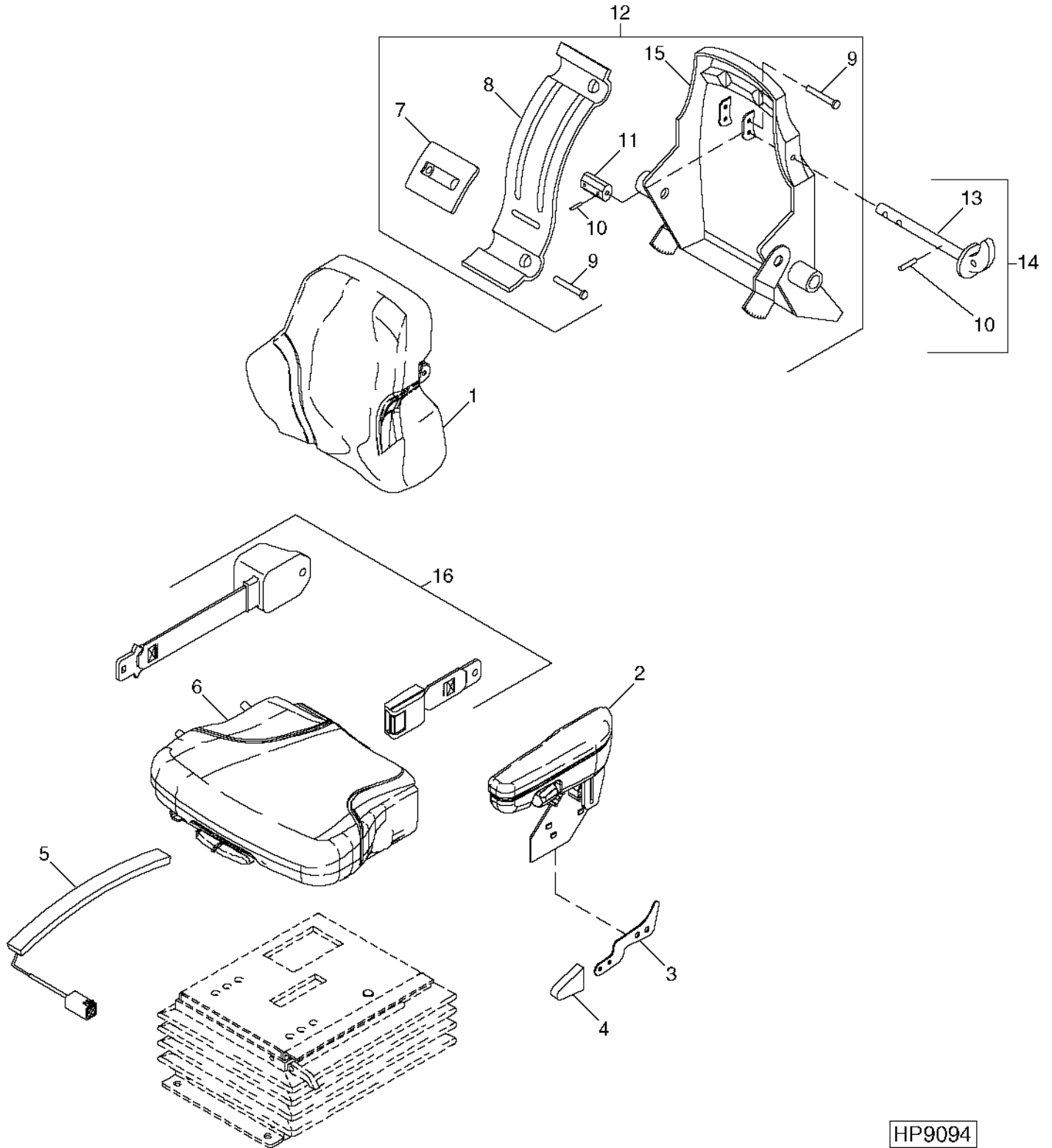
AIR SEAT SUSPENSION - CONTINUED

KEY	PART NO.	PART NAME	QTY	SERIAL NO.	REMARKS
				9 9	
				6 7	
				5 5	
				0 0	
1	AH144778	PANEL	1	X X	
2	37M7089	SCREW	2	X X	M6 X 12
3	AH162503	SEAT SUSPENSION	1	X X	
4	AH146032	WIRING HARNESS	1	X X	ADAPTER
5	H137859	FLANGE NUT	4	X X	
..	BH81076	COMPLETE GOODS/SHIP. BUNDLE	1	X X	AIR RIDE SEAT

2J9

OPERATOR'S SEAT AND BACKREST

HP9094 -UN-21SEP99



HP9094

2J10

OPERATOR'S STATION

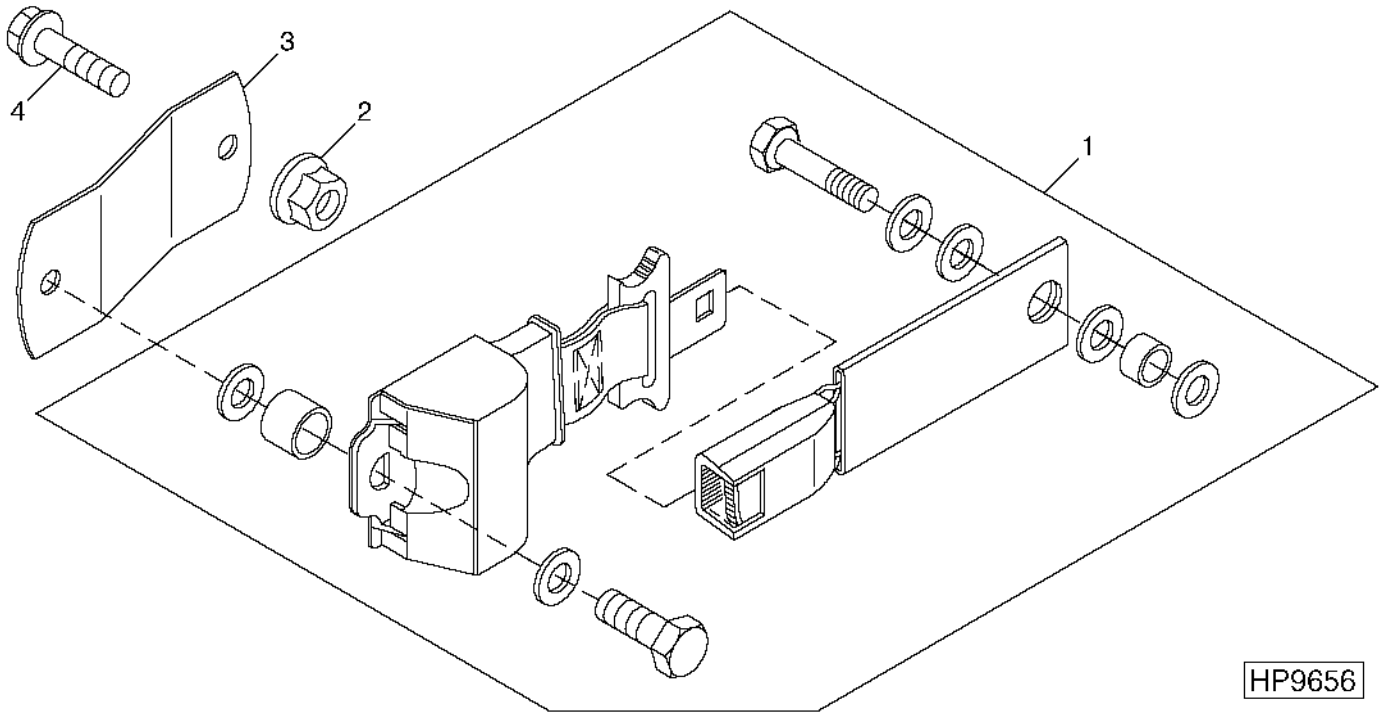
OPERATOR'S SEAT AND BACKREST - CONTINUED

KEY	PART NO.	PART NAME	QTY	SERIAL NO.	REMARKS
				9 9	
				6 7	
				5 5	
				0 0	
1	AT209015	CUSHION	1		BACK
2	AH164889	ARMREST	1		L.H.
3	AT209225	KIT	1		RECLINER
4	AT209025	KIT	1		GRIP
	37H121	SCREW	2		
5	RE43526	SWITCH	1		
6	AH161679	CUSHION	1		SEAT
7	ISOLATOR	1		
8	SUPPORT	1		
9	PIN	2		
10	34H387	SPRING PIN	1		3/16" X 3/4"
11	CAM	1		
12	AT209026	KIT	1		(LUMBAR)
13	KNOB	1		AND SHAFT
14	AT209024	KIT	1		(LUMBAR KNOB)
15	SEAT BACK	1		
16	RE151331	SEAT BELT	1		

2J11

OPERATOR'S STATION

INSTRUCTIONAL SEAT SEATBELT
HP9656 -UN-30MAR00



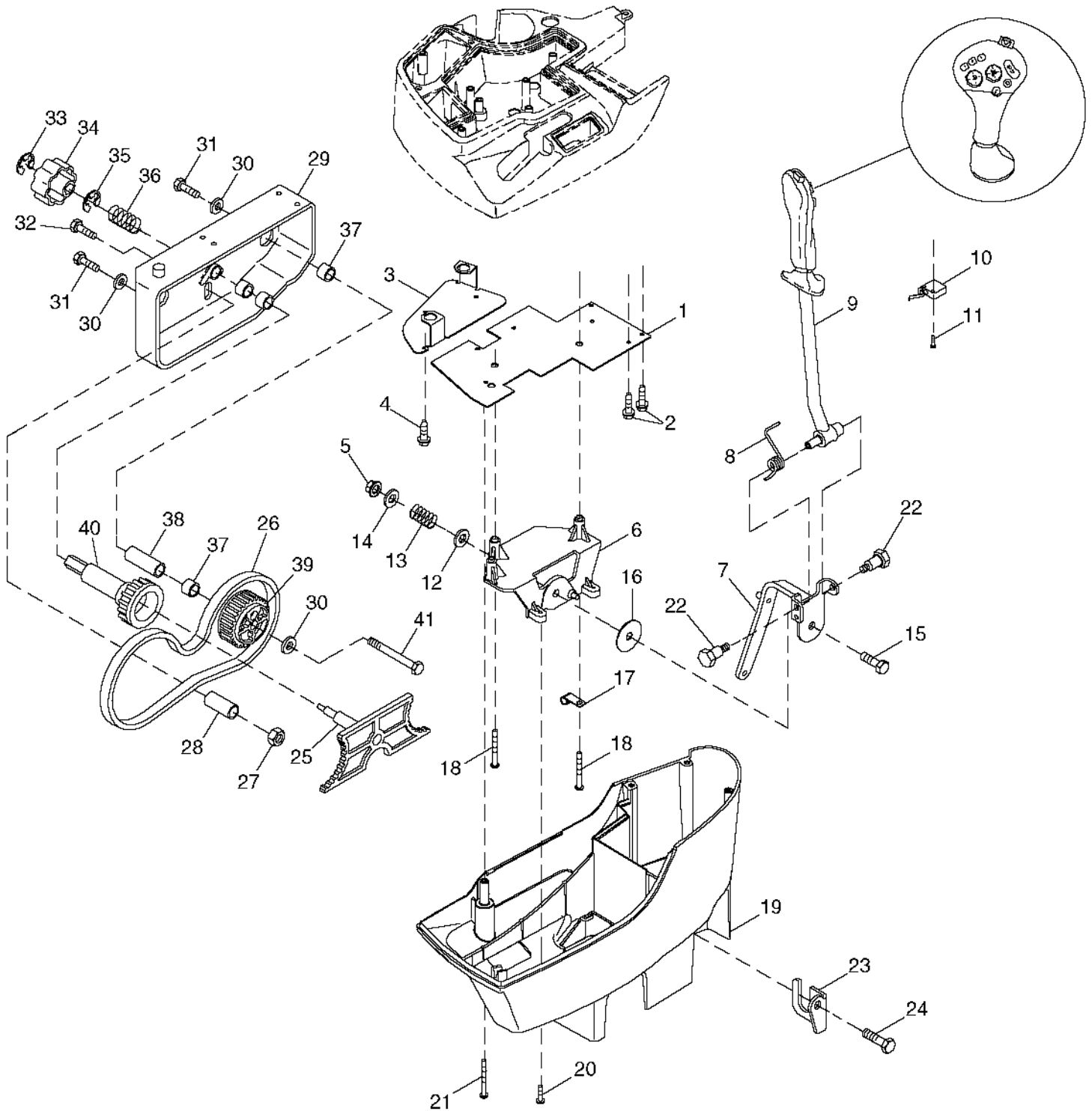
KEY	PART NO.	PART NAME	QTY	SERIAL NO.	REMARKS
				9 9	
				6 7	
				5 5	
				0 0	
1	AH147153	SEAT BELT	1	X X	
2	H135891	LOCK NUT	1	X X	
3	AH147030	STRAP	1	X X	
4	19M7835	SCREW	1	X X	M10 X 35

MEMORANDA

2J12

OPERATOR'S STATION

ARMREST CONTROL PANEL
HP9075 -UN-21SEP99



HP9075

2J13

OPERATOR'S STATION

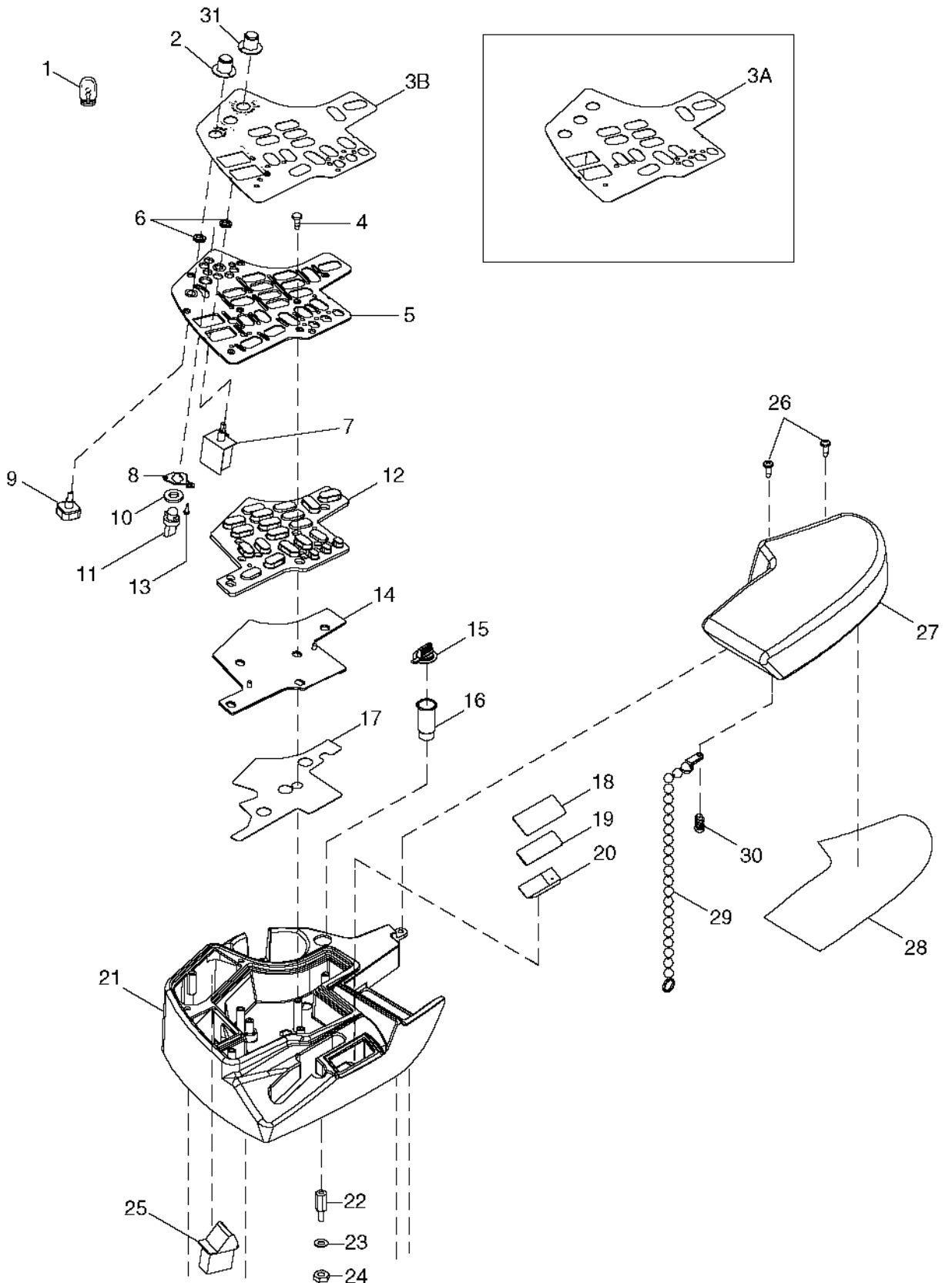
ARMREST CONTROL PANEL - CONTINUED

KEY	PART NO.	PART NAME	QTY	SERIAL NO.	REMARKS
				9 9	
				6 7	
				5 5	
				0 0	
1	AH159994	CIRCUIT BOARD	1	X X	
2	H111364	SCREW	5	X X	
3	H165728	COVER	1	X X	
4	H111364	SCREW	3	X X	
5	14M7396	LOCK NUT	1	X X	M8
6	H152673	BRACKET	1	X X	
7	AH146744	ARM	1	X X	
8	H154937	SPRING	1	X X	
9	AH163913	HANDLE	1	X X	(SUB AH168439) WITH CONTOUR MASTER
	AH168439	HANDLE	1	X X	
	AH163914	HANDLE	1	X X	(SUB AH168440) WITHOUT CONTOUR MASTER
	AH168440	HANDLE	1	X X	
10	AH161154	SWITCH	1	X X	
11	37M7066	SCREW	2	X X	
12	24H1305	WASHER	1	X X	13/32" X 13/16" X 0.065"
13	122SE	SPRING	1	X X	
14	24M7207	WASHER	1	X X	8.400 X 24 X 2 MM
15	H119007	SCREW	1	X X	
16	R113364	WASHER	1	X X	
17	R114203	CLAMP	1	X X	
18	R124859	SCREW	3	X X	
19	R134138	HOUSING	1	X X	
20	R117569	SCREW	2	X X	
21	R124859	SCREW	1	X X	
22	H131424	BOLT	2	X X	
23	H152664	SUPPORT	1	X X	
24	19M8319	SCREW	1	X X	M8 X 50
25	R150660	PAWL	1	X X	
26	R124898	BELT	1	X X	
27	14M7416	FLANGE NUT	1	X X	M8
28	R128232	BUSHING	1	X X	
29	R130990	HOUSING	1	X X	
30	24M7028	WASHER	2	X X	10.500 X 20 X 2 MM
31	19M7875	CAP SCREW	2	X X	M10 X 70
32	19M7799	SCREW	1	X X	M8 X 45
33	40M7088	SNAP RING	1	X X	
34	R127224	KNOB	1	X X	
35	F2863	RING	1	X X	
36	R73094	SPRING	1	X X	
37	R130988	BUSHING	10	X X	
38	R124903	SHAFT	2	X X	
39	R130989	CAM	2	X X	
40	R150659	DRIVER	1	X X	
41	19M7875	CAP SCREW	2	X X	M10 X 70

2J14

OPERATOR'S STATION

ARMREST CONTROL PANEL
HP9811 -UN-15JUN00



HP9811

2J15

OPERATOR'S STATION

ARMREST CONTROL PANEL - CONTINUED

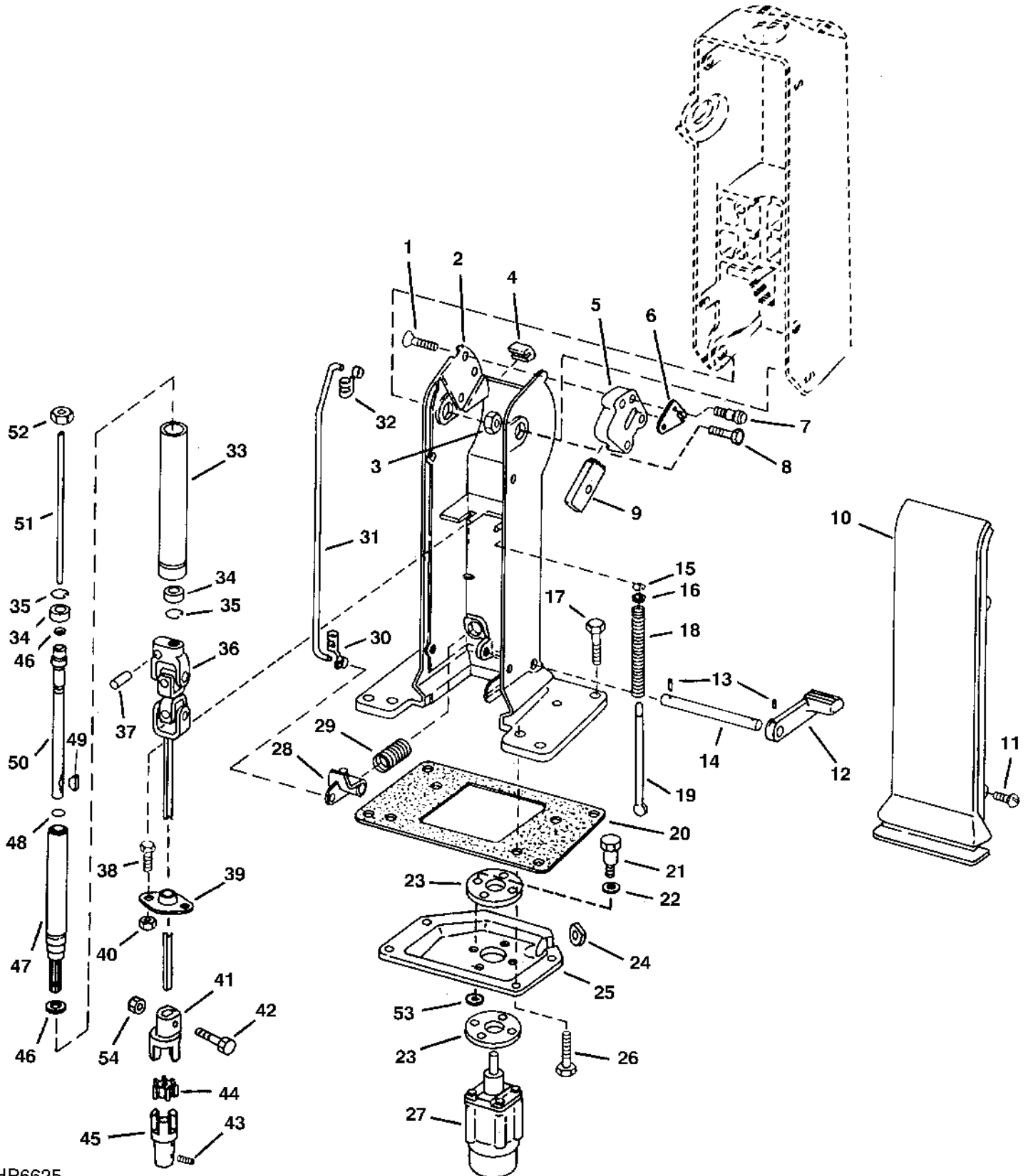
KEY	PART NO.	PART NAME	QTY	SERIAL NO.	9 6 5 0	9 7 5 0	REMARKS
1	AA27536	BULB	6		X	X	
2	H169864	KNOB	1		X	X	
3A	H170912	PANEL	1	-XXXXXX	X	X	
3B	H174192	PANEL	1	XXXXXX-	X	X	
4	H118166	SCREW	8		X	X	
5	AH163000	BEZEL	1		X	X	
6	H106246	LOCK NUT	2		X	X	
7	AH121190	SWITCH	1		X	X	
8	H160799	CLIP	1		X	X	
9	AH159180	SWITCH	1		X	X	
10	H172760	WASHER	1		X	X	
11	RE65816	SENSOR	1		X	X	
12	AH159241	PAD	1	-XXXXXX	X	X	
	AH164278	PAD	1	XXXXXX-	X	X	
13	H111364	SCREW	1		X	X	
14	AH154407	SWITCH	1		X	X	
15	H170373	PLUG	1		X	X	
16	AR56766	HOUSING	1		X	X	
17	H156363	LABEL	1		X	X	
18	H153453	LABEL	1		X	X	
19	H153457	LENS	1		X	X	
20	H168133	LIGHT BAR	1		X	X	
21	H153443	COVER	1		X	X	
22	H129367	SPACER	1		X	X	
23	12M7084	LOCK WASHER	1		X	X	4.300 MM
24	14H605	NUT	1		X	X	0.164"
25	AH155007	SWITCH	2		X	X	
26	R126355	SCREW	2		X	X	
27	AH147170	CUSHION	1		X	X	
28	H170073	LABEL	1		X	X	START SEQUENCE AND SEAT SAFETY
29	AR27940	LINK CHAIN	1		X	X	
30	H111706	SCREW	2		X	X	
31	AH126811	KNOB	1		X	X	
..	H173146	DOCUMENT	1		X	X	
	9650 S.N. BREAK (-690500)(690501-)				
	9750 S.N. BREAK (-690600)(690601-)				

2J16

OPERATOR'S STATION

STEERING COLUMN (LOWER)

HP6625 -UN-27JAN97



HP6625

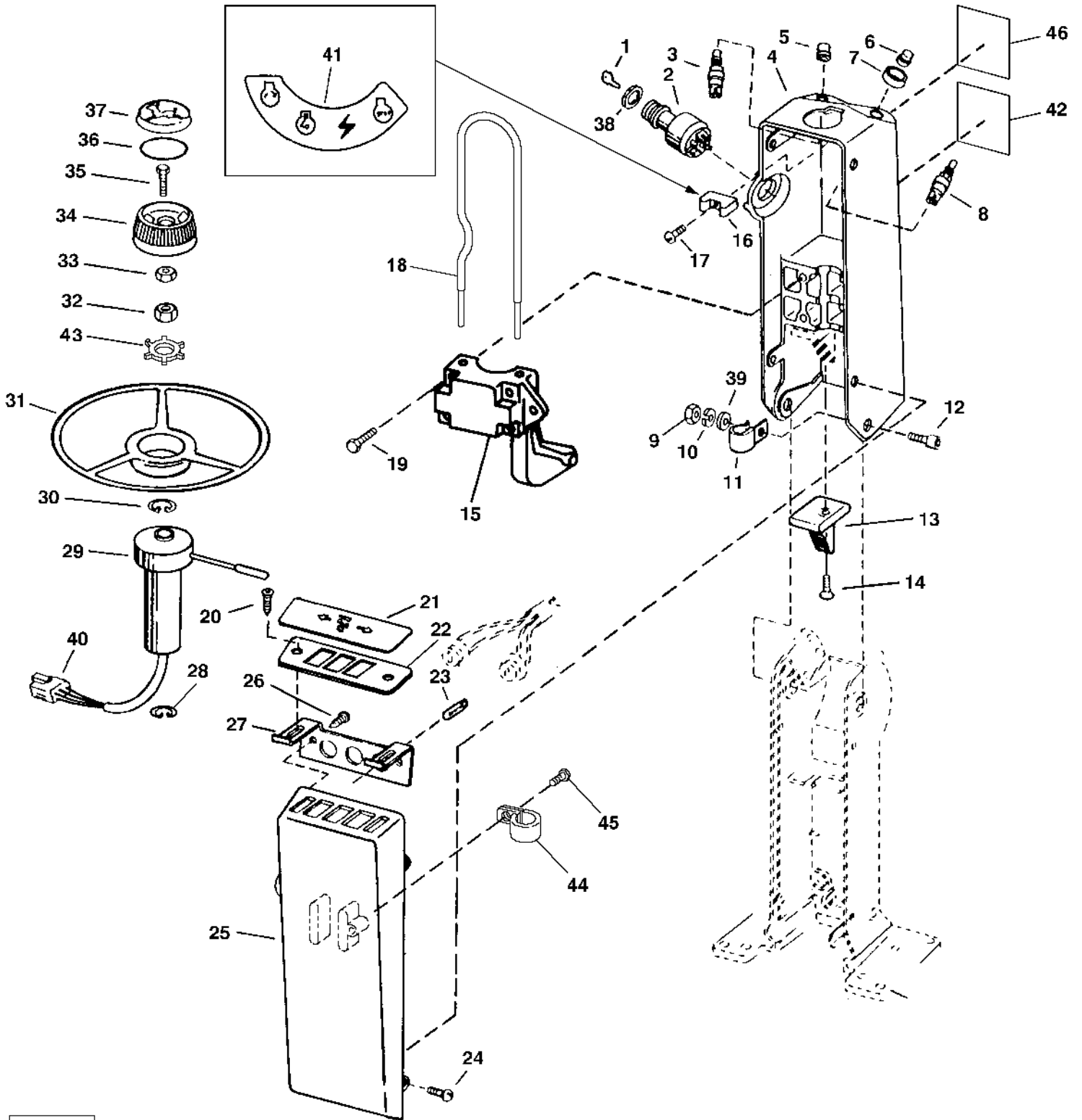
STEERING COLUMN (LOWER) - CONTINUED

KEY	PART NO.	PART NAME	QTY	SERIAL NO.	REMARKS
				9 9	
				6 7	
				5 5	
				0 0	
1	H133205	SCREW	3	X X	
2	H152173	HOUSING	1	X X	
3	14M7274	NUT	2	X X	M10
4	H107566	ISOLATOR	1	X X	
5	H110310	HOUSING	1	X X	
6	H110229	CRANK	1	X X	
7	H170382	BOLT	2	X X	
8	H107687	SCREW	2	X X	
9	H141327	PAWL	1	X X	
10	H152172	COVER	1	X X	
11	H165693	SCREW	4	X X	
12	H152174	PEDAL	1	X X	
13	34M7102	SPRING PIN	2	X X	5 X 26 MM
14	H113864	PIN	1	X X	
15	H133106	SNAP RING	1	X X	
16	24M7055	WASHER	1	X X	8.400 X 16 X 1.600 MM
17	19M7800	SCREW	4	X X	M8 X 50
18	H113404	SPRING	1	X X	
19	H113402	ROD	1	X X	
20	H123874	SEALANT	1	X X	
21	H110700	BOLT	4	X X	
22	24M7028	WASHER	4	X X	10.500 X 20 X 2 MM
23	H134353	ISOLATOR	2	X X	
24	H108725	GROMMET	1	X X	
25	H123875	SUPPORT	1	X X	
26	19M7867	SCREW	4	X X	M8 X 25
27	AH167238	VALVE	1	X X	(SUB FOR AH157457)
28	H107582	ARM	1	X X	
29	H107584	SPRING	1	X X	
30	R26501	CLIP	1	X X	
31	H131186	ROD	1	X X	
32	R26524	CLIP	1	X X	
33	H107567	HOUSING	1	X X	
34	AH97920	BALL BEARING	2	X X	
35	H80753	SNAP RING	2	X X	
36	AH139065	UNIVERSAL JOINT, WITH SHAFT	1	X X	
37	34M7124	SPRING PIN	1	X X	8 X 30 MM
38	19M7866	SCREW	2	X X	M8 X 20
39	AH129236	BEARING	1	X X	
40	14M7166	LOCK NUT	2	X X	M8
41	H162569	COUPLING	1	X X	
42	H162055	SCREW	1	X X	M8 X 40
43	22M7072	SET SCREW	2	X X	M6 X 10
44	H134624	ISOLATOR	1	X X	
45	H134623	SPLINED COUPLING	1	X X	
46	H99294	WASHER	2	X X	
47	AH130429	STEERING SHAFT	1	X X	
48	H36256	O-RING	1	X X	
49	H137667	SHAFT KEY	1	X X	
50	H107570	STEERING SHAFT	1	X X	
51	H107586	PIN	1	X X	
52	14M7257	NUT	1	X X	M20
53	H141946	WASHER	4	X X	
54	14M7396	LOCK NUT	1	X X	M8

2J18

STEERING COLUMN (UPPER)

HP8445 -UN-08JUL99



HP8445

STEERING COLUMN (UPPER) - CONTINUED

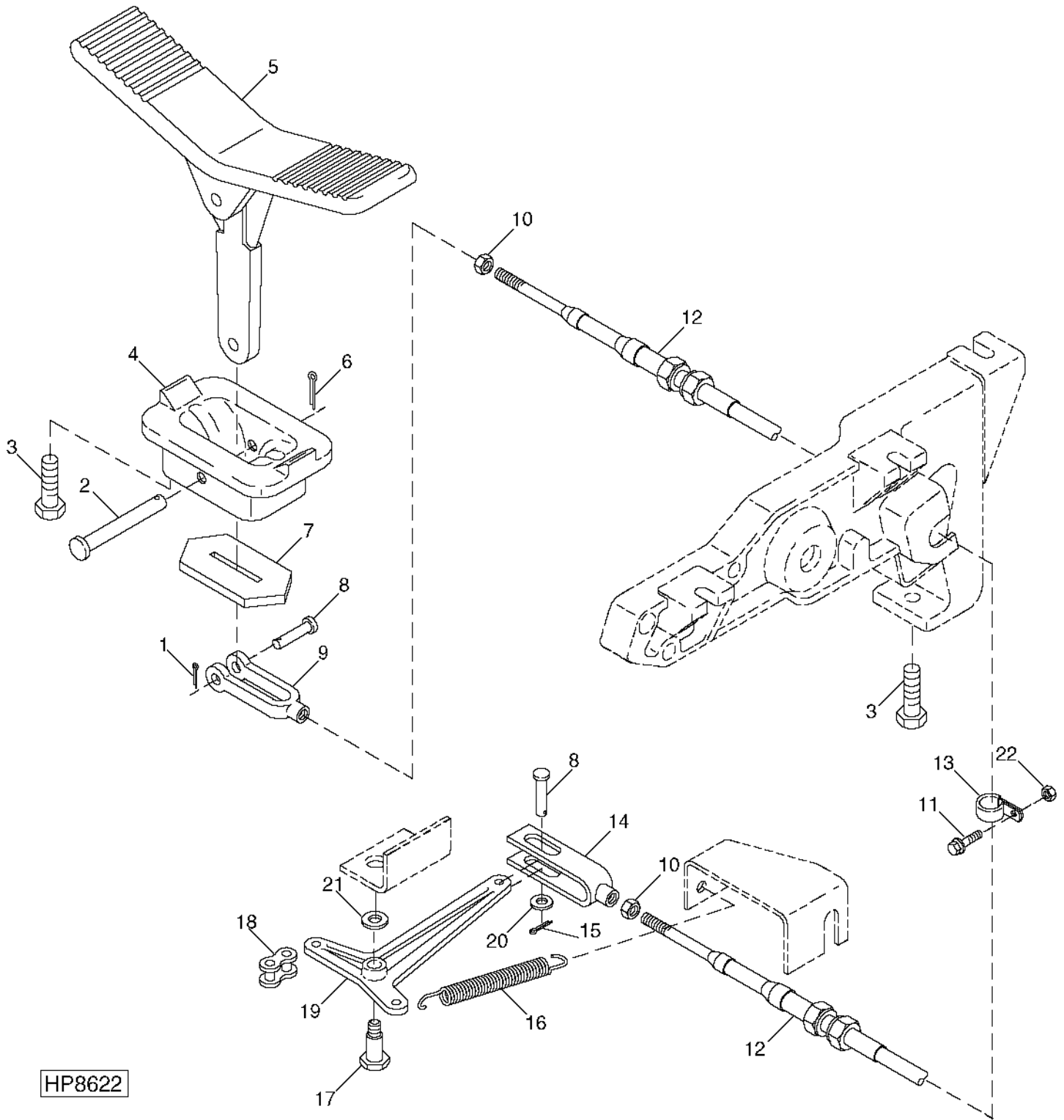
KEY	PART NO.	PART NAME	QTY	SERIAL NO.	REMARKS
				9 9	
				6 7	
				5 5	
				0 0	
1	AR51481	KEY	1	X X	
2	AH108816	SWITCH	1	X X	KEY START SWITCH
3	R39554	SWITCH	1	X X	HORN BUTTON
4	H152171	HOUSING	1	X X	
5	T55501	CAP	1	X X	
6	T55585	CAP	1	X X	
7	H132895	GUARD	1	X X	
8	R39554	SWITCH	1	X X	EITHER AID START BUTTON
9	14M7274	NUT	2	X X	M10
10	12M7066	LOCK WASHER	2	X X	10.200 MM
11	AH89486	CLIP	1	X X	
12	H107687	SCREW	2	X X	
13	H110812	GEAR	1	X X	
14	H133205	SCREW	2	X X	M8 X 25
15	H150383	CLAMP	1	X X	
16	H113863	GUIDE	1	X X	
17	37M7071	SCREW	1	X X	
18	AH129255	GUARD	1	X X	
19	19M7800	SCREW	4	X X	M8 X 50
20	H132899	SCREW	1	X X	
21	H146392	PANEL	1	X X	
22	H146391	PANEL	1	X X	
23	AA27536	BULB	1	X X	
24	H165693	SCREW	4	X X	M6 X 12
25	H152170	COVER	1	X X	
26	37H6	SCREW	2	X X	
27	H132897	RETAINER	1	X X	
28	R26192	SNAP RING	1	X X	
29	AH121340	TURN SIGNAL CONTROLLER	1	X X	
	T23529	SNAP RING	1	X X	
30	R26192	SNAP RING	1	X X	
31	RE46962	STEERING WHEEL	1	X X	
32	14M7257	NUT	1	X X	M20
33	14M7273	NUT	1	X X	M8
34	H108822	KNOB	1	X X	
35	19M7164	CAP SCREW	1	X X	M8 X 50
36	B3690R	O-RING	1	X X	
37	R47998	CAP	1	X X	
38	R44342	NUT	1	X X	
39	24M7028	WASHER	1	X X	10.500 X 20 X 2 MM
40	AH116902	CONNECTOR	1	X X	
41	H146042	LABEL	1	X X	FOR IGNITION SWITCH
42	H156390	LABEL	1	X X	
43	T17148	LOCK WASHER	1	X X	
44	AH89557	CLIP	1	X X	
45	37M7083	SCREW	1	X X	M8 X 12
46	H155510	SIGN	1	X X	SEATBELT

2J20

OPERATOR'S STATION

FEEDER HOUSE REVERSER FOOT CONTROL

HP8622 -UN-07JUN99



HP8622

FEEDER HOUSE REVERSER FOOT CONTROL - CONTINUED

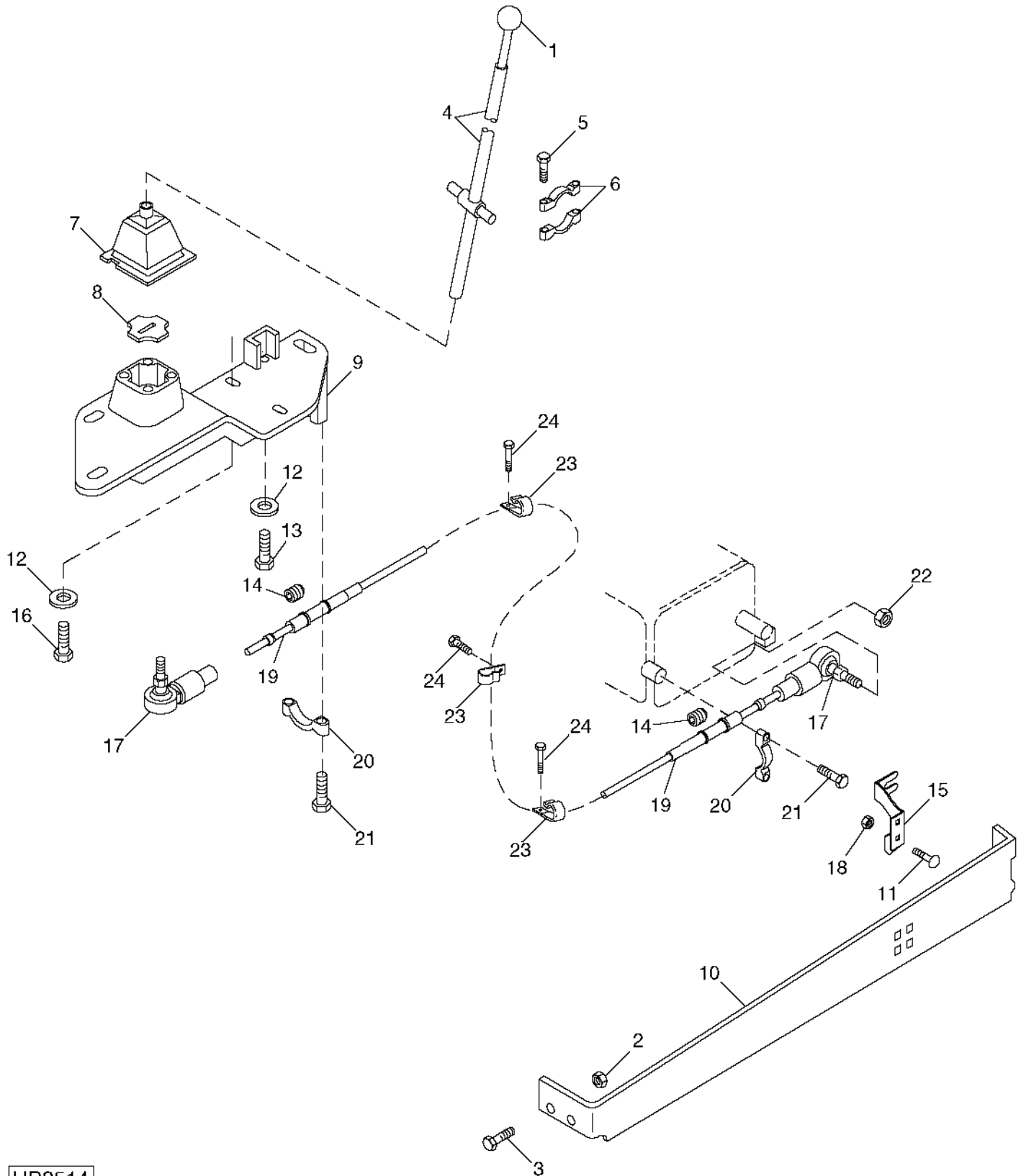
KEY	PART NO.	PART NAME	QTY	SERIAL NO.	REMARKS
				9 9	
				6 7	
				5 5	
				0 0	
1	11M7082	COTTER PIN	1	X X	2.500 X 25 MM
2	R65569	PIN	1	X X	
3	19M7866	SCREW	2	X X	M8 X 20
4	H153480	BEZEL	1	X X	
5	H153479	PEDAL	1	X X	
6	11M7081	COTTER PIN	1	X X	2.500 X 20 MM
7	H133210	SEAL	1	X X	
8	T16193	PIN	2	X X	6.248 X 29.362 MM
9	H130646	YOKE	1	X X	
10	14M7273	NUT	2	X X	M8
11	19M7791	SCREW	1	X X	M12 X 40
12	AH128452	PUSH PULL CABLE	1	X X	
13	R73384	CLAMP	1	X X	
14	AH127383	YOKE	1	X X	
15	11M7082	COTTER PIN	1	X X	2.500 X 25 MM
16	H84948	SPRING	1	X X	
17	H127749	BOLT	1	X X	
18	AE23791	CHAIN LINK	1	X X	
19	H140836	BELLCRANK	1	X X	
20	24M7054	WASHER	1	X X	6.400 X 12 X 1.600 MM
21	24M7047	WASHER	1	X X	13 X 24 X 2.500 MM
22	14M7299	FLANGE NUT	1	X X	M12

2J22

OPERATOR'S STATION

GEARSHIFT LEVER AND LINKAGE

HP8514 -UN-23JUL99



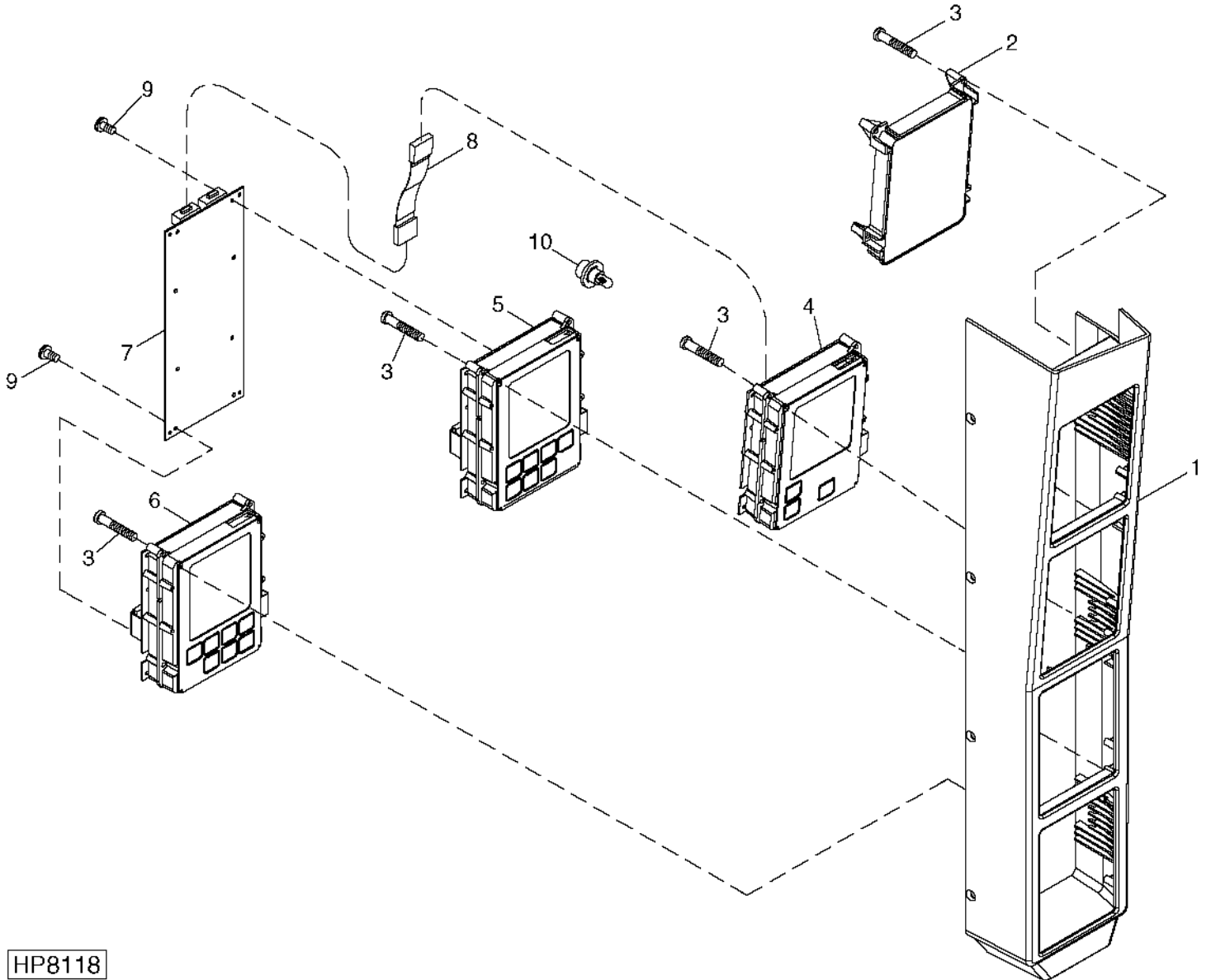
HP8514

GEARSHIFT LEVER AND LINKAGE - CONTINUED

KEY	PART NO.	PART NAME	QTY	SERIAL NO.	REMARKS
				9 9	
				6 7	
				5 5	
				0 0	
1	H125518	KNOB	1	X X	
2	14M7401	LOCK NUT	1	X X	M12
3	19M7789	SCREW	1	X X	M12 X 30
4	AH138707	ROD	1	X X	
5	19M8318	SCREW	4	X X	M8 X 45
6	H131040	BEARING	4	X X	
7	H131041	BOOT	1	X X	
8	H133660	SEAL	1	X X	
9	H133636	HOUSING	1	X X	
10	H158532	GUARD	1	X X	
11	03M7190	BOLT	2	X X	M10 X 20
12	24H1296	WASHER	5	X X	11/32" X 1-3/8" X 0.134"
13	19M8319	SCREW	1	X X	M8 X 50
14	H133662	ISOLATOR	2	X X	
15	H141315	BRACKET	1	X X	
16	19M7867	SCREW	4	X X	M8 X 25
17	AH125958	BALL JOINT	2	X X	
18	AH138328	KIT	1	X X	
19	AH128357	CABLE	1	X X	
20	H133047	CLAMP	2	X X	
21	19M8291	SCREW	4	X X	M8 X 35
22	14M7296	FLANGE NUT	1	X X	M10
23	AH77724	CLIP	3	X X	
24	37M7058	SCREW	3	X X	M8 X 20
25	14M7400	LOCK NUT	2	X X	M10
..	TY9370	ADHESIVE	1	X X	6 OZ. MEDIUM STRENGTH (CANADA NUMBER TY9477)

2J24

R.H. CORNERPOST DISPLAY PANEL
HP8118 -UN-08JUL99



HP8118

2J25

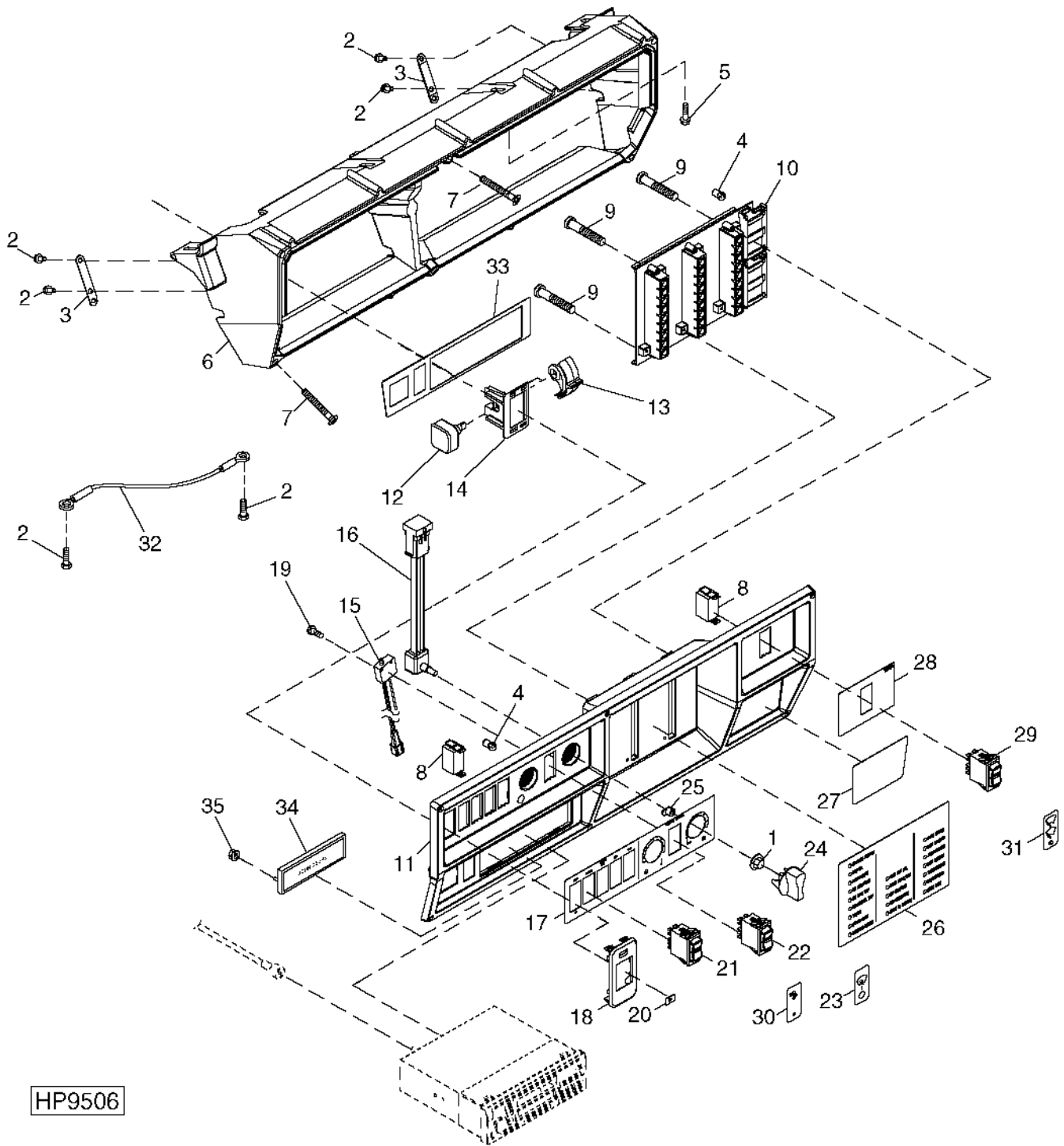
OPERATOR'S STATION

R.H. CORNERPOST DISPLAY PANEL - CONTINUED

KEY	PART NO.	PART NAME	QTY	SERIAL NO.	9 6 5 0	REMARKS
1	H162559	HOUSING	1		X X	
2	H162560	PANEL	1		X X	
3	H171285	BOLT	16		X X	
4	AH161969	MODULE	1		X X	AUTOMATIC HEADER HEIGHT CONTROL
5	AH155933	MODULE	1		X X	GRAIN LOSS DISPLAY
6	AH155932	MODULE	1		X X	TACHOMETER DISPLAY
7	AH161864	CIRCUIT BOARD	1		X X	
8	AH161865	WIRING HARNESS	1		X X	
9	21M7268	SCREW	8		X X	M3 X 6
10	R107890	BULB	6		X X	

2K1

OVERHEAD CONSOLE
HP9506 -UN-21JAN00



HP9506

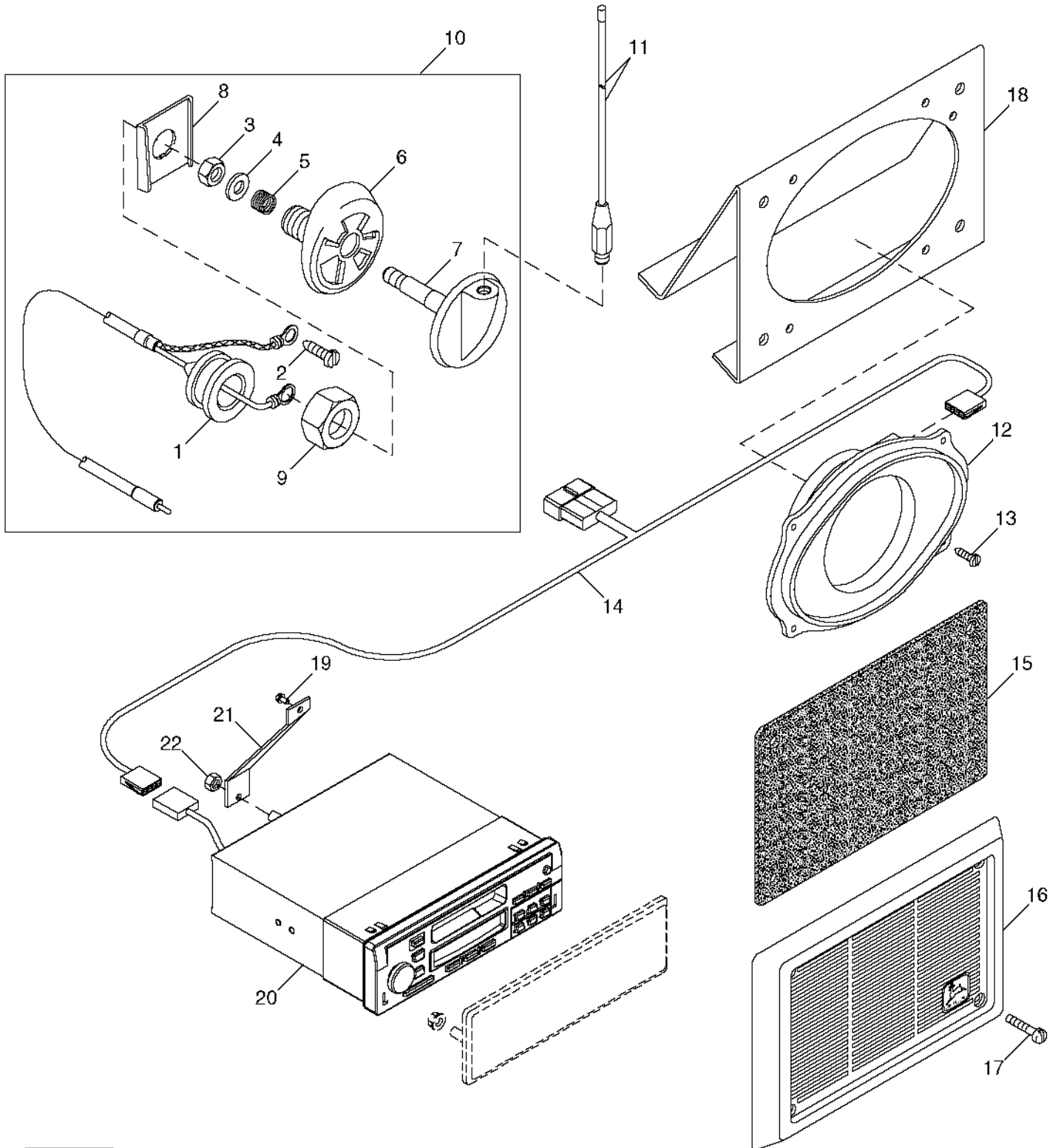
OVERHEAD CONSOLE - CONTINUED

KEY	PART NO.	PART NAME	QTY	SERIAL NO.	REMARKS
				9 9	
				6 7	
				5 5	
				0 0	
1	H106246	LOCK NUT	2	X X	
2	H114038	SCREW	9	X X	
3	H164952	STRAP	3	X X	
4	AH108380	BULB	28	X X	
5	H116188	SCREW	4	X X	
6	AH154696	SUPPORT	1	X X	
7	H165690	SCREW	6	X X	
8	CONNECTOR	6	X X	
9	H110842	SCREW	6	X X	
10	AH166773	KIT	1	X X	(SUB FOR AH159037) WARNING DISPLAY PANEL
11	H161550	CONSOLE	1	X X	
12	AH160236	SENSOR	1	X X	
13	H166839	WHEEL	1	X X	
14	H166840	FRAME	1	X X	
15	AH162163	SWITCH	1	X X	
16	AH154221	POTENTIOMETER	2	X X	
17	H161163	GRAPHICS PANEL	1	X X	
18	H176083	PANEL	1	X X	(SUB FOR H166838)
19	37M7066	SCREW	2	X X	WITH AM/FM/CD/WEATHERBAND & AM/FM/CASS/WEATHERBAND ONLY
20	H166959	LABEL	1	X X	
21	AH158288	ROCKER SWITCH	1	X X	
22	AH158290	ROCKER SWITCH	2	X X	
23	H169067	LABEL	1	X X	
24	H168755	KNOB	2	X X	
25	H168757	CAM	2	X X	
26	H161104	GRAPHICS PANEL	1	X X	
	H143632	PANEL	1	X X	FRENCH
27	H161167	GRAPHICS PANEL	1	X X	
28	H161165	GRAPHICS PANEL	1	X X	
29	AH158291	ROCKER SWITCH	1	X X	
30	H161937	LABEL	1	X X	HAZARD LIGHTS
	H161938	LABEL	1	X X	ROAD LIGHTS
	H161939	LABEL	1	X X	FIELD LIGHTS
	H161940	LABEL	1	X X	WORK LIGHTS
31	H164260	LABEL	1	X X	
32	AH124882	CABLE	1	X X	
33	H161166	GRAPHICS PANEL	1	X X	
34	H153358	PANEL	1	X X	COVER (WHERE RADIO IS NOT INSTALLED)
35	H117239	FLANGE NUT	2	X X	

2K3

RADIO, SPEAKER, AND ANTENNA (OPTIONAL)

HP9505 -UN-21JAN00



HP9505

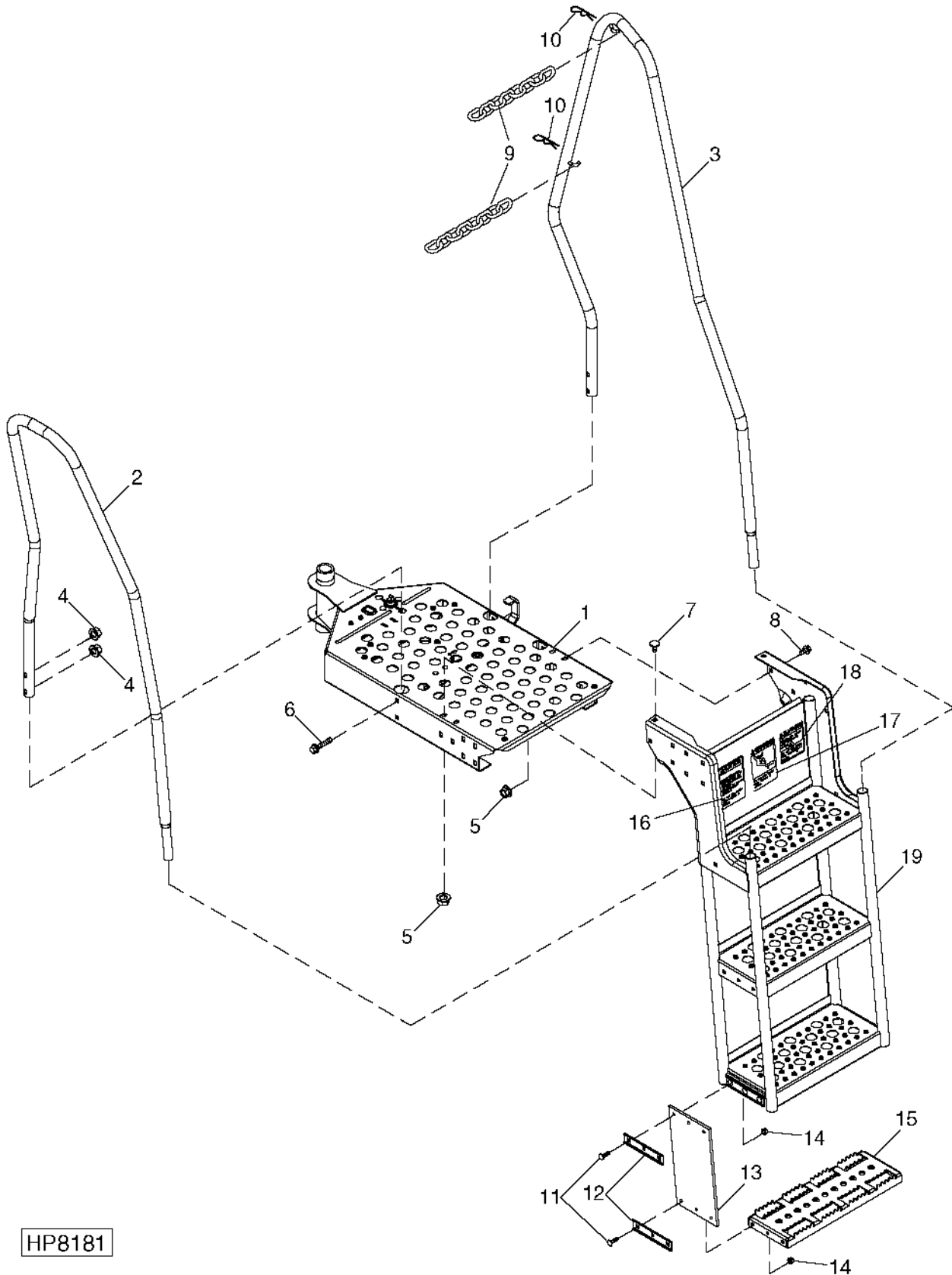
RADIO, SPEAKER, AND ANTENNA - CONTINUED

KEY	PART NO.	PART NAME	QTY	SERIAL NO.	REMARKS
				9 9	
				6 7	
				5 5	
				0 0	
1	WIRING LEAD	1	X X	(A)
2	37M7089	SCREW	1	X X	(A) M6 X 12
3	14M7152	NUT	1	X X	(A) M10
4	24M7096	WASHER	1	X X	(A) 10.500 X 18 X 1.600 MM
5	SPRING	1	X X	(A)
6	FLANGE	1	X X	(A)
7	BASE	1	X X	(A)
8	SPACER	1	X X	(A)
9	14M7309	NUT	1	X X	(A) M24
10	AH141012	KIT	1	X X	ANTENNA (INCLUDES PARTS MARKED (A))
11	AR104516	ANTENNA	1	X X	
12	AH138098	SPEAKER	2	X X	
13	37M7215	SCREW	4	X X	
14	AH166980	JUMPER	1	X X	
15	H145264	ISOLATOR	1	X X	
16	H153352	GRILLE	2	X X	
17	37M7100	SCREW	4	X X	
18	H144472	SUPPORT	1	X X	
19	H114038	SCREW	1	X X	
20	RADIO	1	X X	AM/FM/WB STEREO (ORDER FROM DELCO)
	RADIO	1	X X	AM/FM/CASS/WB STEREO (ORDER FROM DELCO)
	RADIO	1	X X	AM/FM/CD/WB STEREO (ORDER FROM DELCO)
21	H171011	BRACKET	1	X X	
22	14M7375	FLANGE NUT	1	X X	M5

2K5

LADDER, HANDRAILS AND EXTENSION

HP8181 -UN-07JUN99



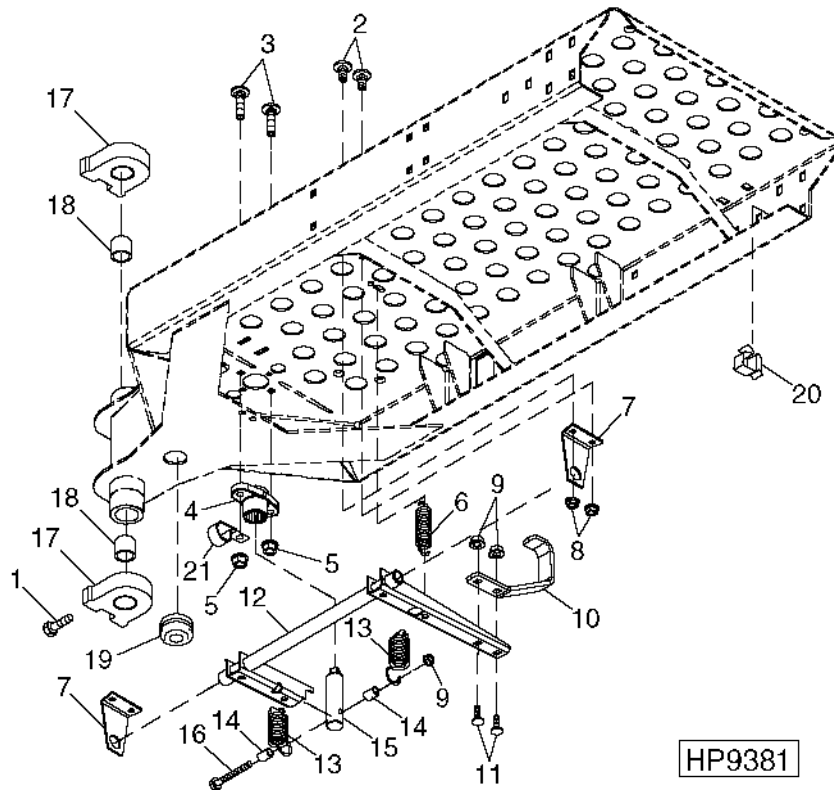
HP8181

LADDER, HANDRAILS AND EXTENSION - CONTINUED

KEY	PART NO.	PART NAME	QTY	SERIAL NO.	REMARKS
				9 9	
				6 7	
				5 5	
				0 0	
1	AH159185	EXTENSION	1	X X	(810)
	AH159186	EXTENSION	1	X X	(940)
	AH159187	EXTENSION	1	X X	(1260)
	AH159188	EXTENSION	1	X X	(1390)
2	H167173	HANDRAIL	1	X X	(810)
	H167174	HANDRAIL	1	X X	(940)
	AH160469	HANDRAIL	1	X X	(1260)
	AH160470	HANDRAIL	1	X X	(1390)
3	AH160472	HANDRAIL	1	X X	(810)
	AH160473	HANDRAIL	1	X X	(940)
	AH160474	HANDRAIL	1	X X	(1260)
	AH160475	HANDRAIL	1	X X	(1390)
4	14M7400	LOCK NUT	AR	X X	M10
5	14M7296	FLANGE NUT	8	X X	M10
6	19M8292	SCREW	8	X X	M10 X 50
7	03M7191	BOLT	2	X X	M10 X 25
8	19M7784	SCREW	6	X X	M10 X 20
9	AH146041	SAFETY CHAIN	2	X X	
10	B32630	SPRING LOCKING PIN	2	X X	
11	03M7186	BOLT	12	X X	M8 X 30
12	H136127	PLATE	4	X X	
13	H136126	HANGER	2	X X	
14	14M7396	LOCK NUT	12	X X	M8
15	H136011	STEP	1	X X	
16	H149064	LABEL	1	X X	WARNING "DO NOT RIDE..."
17	H170654	SAFETY SIGN	1	X X	WARNING "AVOID MOTOR VEHICLE..."
18	E82510	LABEL	1	X X	CAUTION
19	AH165990	LADDER	1	X X	
..	BH80681	COMPLETE GOODS/SHIP. BUNDLE	1	X X	(940) LADDER EXTENSION AND WARNING LIGHTS
..	BH81583	COMPLETE GOODS/SHIP. BUNDLE	1	X X	(940) LADDER EXTENSION ASSEMBLY
..	BH80683	COMPLETE GOODS/SHIP. BUNDLE	1	X X	(1390) LADDER EXTENSION AND WARNING LIGHTS
..	BH81585	COMPLETE GOODS/SHIP. BUNDLE	1	X X	(1390) LADDER EXTENSION ASSEMBLY

2K7

LADDER EXTENSION ASSEMBLY
HP9381 -UN-02DEC99

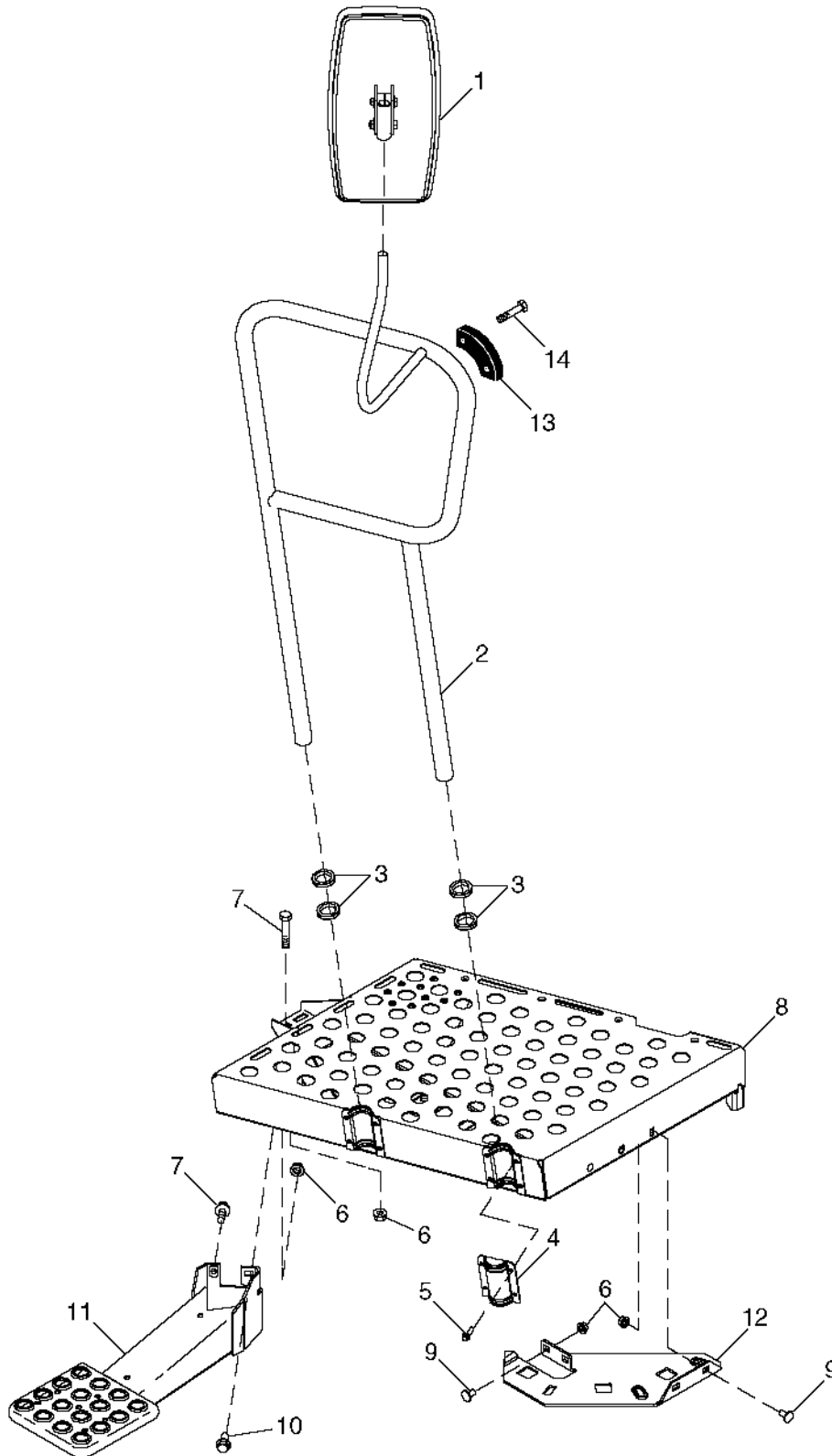


KEY	PART NO.	PART NAME	QTY	SERIAL NO.	REMARKS
				9 9	
				6 7	
				5 5	
				0 0	
1	19M7792	SCREW	4	X X	M16 X 30
2	03M7251	BOLT	4	X X	M6 X 12
3	03M7186	BOLT	2	X X	M8 X 30
4	H129761	BUSHING	1	X X	
5	14M7396	LOCK NUT	2	X X	M8
6	R60730	SPRING	1	X X	
7	H129763	BRACKET	2	X X	
8	14M7303	FLANGE NUT	4	X X	M6
9	14M7298	FLANGE NUT	1	X X	M8
10	H133514	LEVER	1	X X	
11	03M7185	BOLT	2	X X	M8 X 25
12	AH128610	LATCH	1	X X	
13	H137360	EXTENSION SPRING	2	X X	
14	28H1686	SPACER	2	X X	0.364" X 0.540" X 5/8"
15	H129760	PIN	1	X X	
16	19M7803	SCREW	1	X X	M8 X 70
17	H129610	BUSHING	2	X X	
18	H111478	SLEEVE	2	X X	
19	H114603	GROMMET	1	X X	
20	H172197	HOSE CLAMP	6	X X	
21	T32231	CLAMP	1	X X	

MEMORANDA

2K8

LANDING AND MIRROR (L.H.)
HP8183 -UN-08JUL99



HP8183

2K9

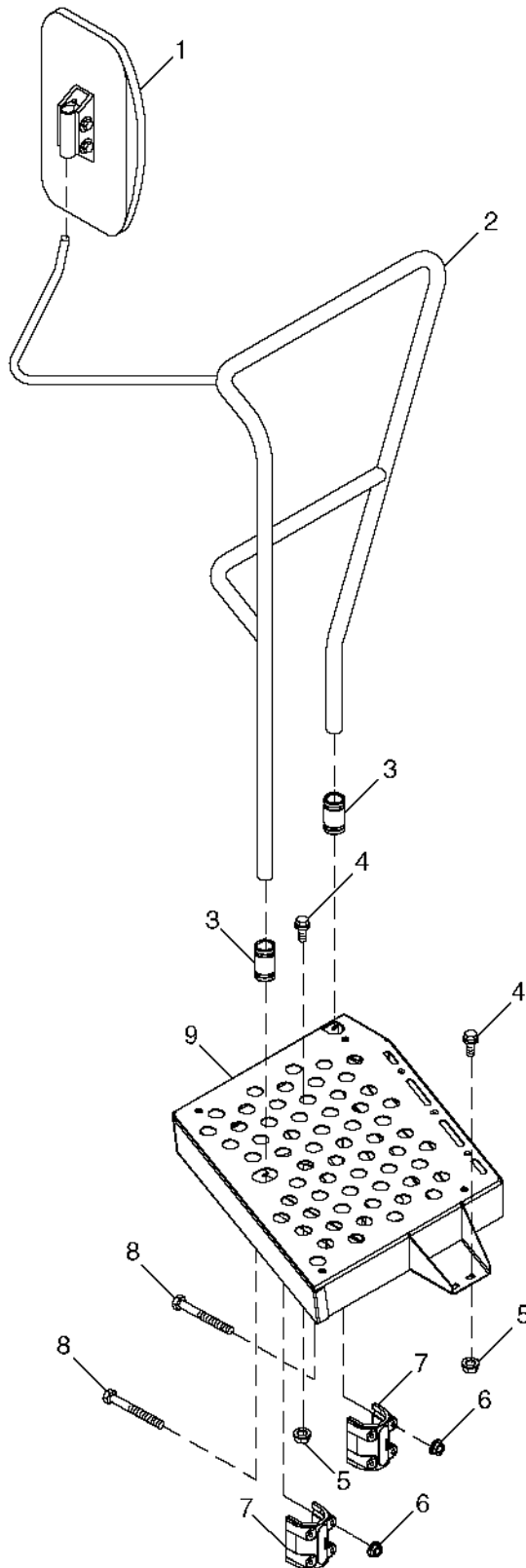
OPERATOR'S STATION

LANDING AND MIRROR (L.H.) - CONTINUED

KEY	PART NO.	PART NAME	QTY	SERIAL NO.	9 9 6 7 5 5 0 0	REMARKS
1	AH142404	REAR VIEW MIRROR	1		X X	
2	AH160115	HANDRAIL	1		X X	
3	H136110	ISOLATOR	4		X X	
4	H161289	CLAMP	2		X X	
5	37M7131	SCREW	8		X X	M6 X 20
6	14M7296	FLANGE NUT	15		X X	M10
7	19M7784	SCREW	9		X X	M10 X 20
8	AH155210	PLATFORM	1		X X	
9	03M7190	BOLT	4		X X	M10 X 20
10	19M7786	SCREW	3		X X	M10 X 30
11	AH130594	STEP	1		X X	
12	H173616	PLATE	1		X X	(SUB FOR H172944)
13	AH122099	BUMPER	1		X X	
14	37M7046	SCREW	2		X X	

2K10

LANDING AND MIRROR (R.H.)
HP8182 -UN-07JUN99



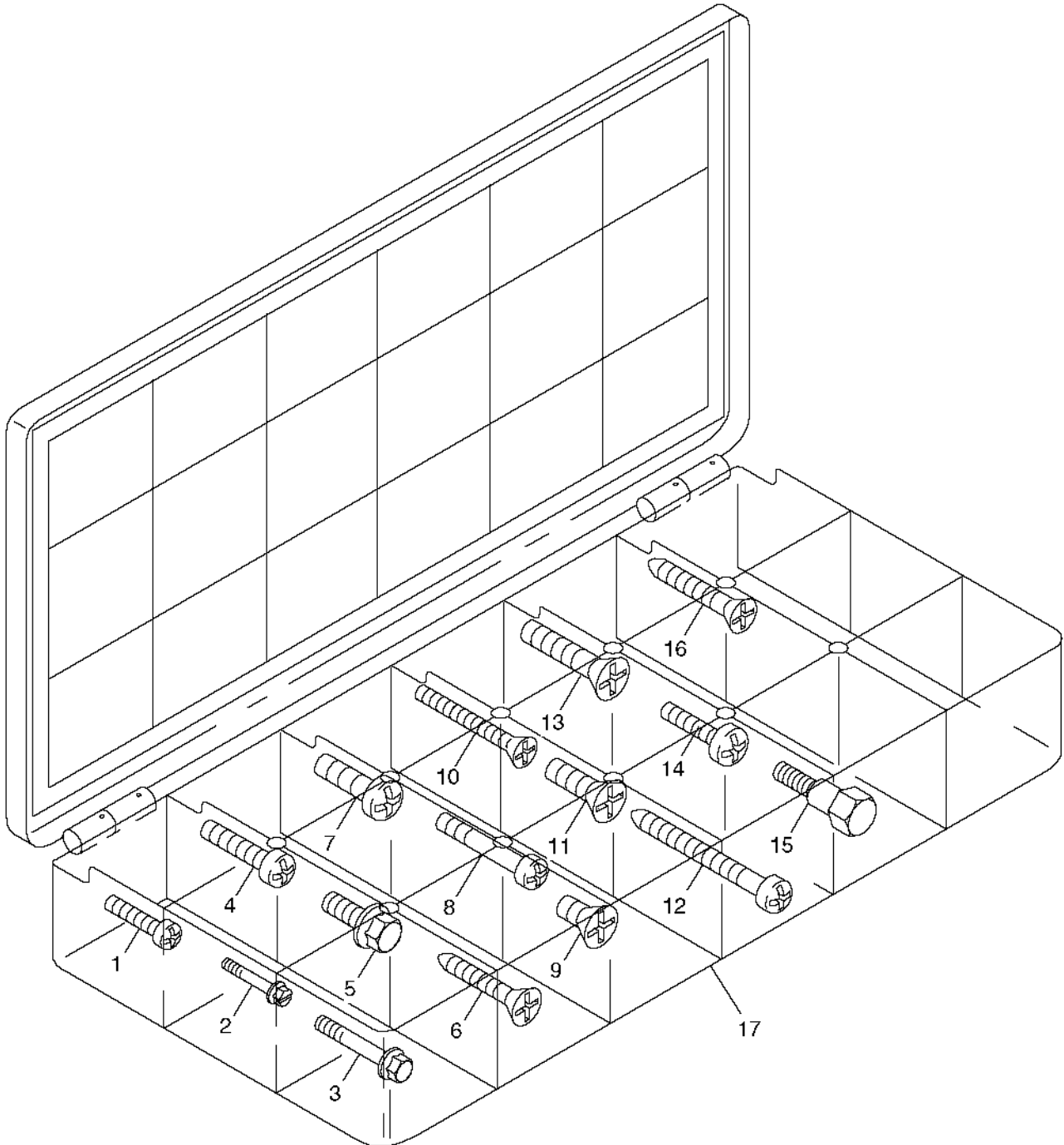
HP8182

LANDING AND MIRROR (R.H.) - CONTINUED

KEY	PART NO.	PART NAME	QTY	SERIAL NO.	REMARKS
				9 9	
				6 7	
				5 5	
				0 0	
1	AH142404	REAR VIEW MIRROR	1		
2	AH160113	HANDRAIL	1		X X NARROW
	AH160114	HANDRAIL	1		X X WIDE
3	H167680	ISOLATOR	2		X X
4	19M7784	SCREW	6		X X M10 X 20
5	14M7296	FLANGE NUT	6		X X M10
6	14M7303	FLANGE NUT	8		X X M6
7	H167681	CLAMP	2		X X
8	19M8040	SCREW	8		X X M6 X 60
9	AH159740	PLATFORM	1		X X

2K12

CAB HARDWARE KIT
HP3731 -UN-01SEP99



HP3731

2K13

OPERATOR'S STATION

CAB HARDWARE KIT - CONTINUED

KEY	PART NO.	PART NAME	QTY	SERIAL NO.	9 6 5 0	9 7 5 0	REMARKS
1	H110842	SCREW	10		X	X	
2	H111364	SCREW	10		X	X	
3	H111705	SCREW	10		X	X	
4	H111706	SCREW	10		X	X	
5	H114038	SCREW	5		X	X	
6	H165689	SCREW	10		X	X	
7	H123995	SCREW	10		X	X	
8	H128859	SCREW	5		X	X	
9	H165693	SCREW	5		X	X	
10	H165690	SCREW	10		X	X	
11	H163401	SCREW	5		X	X	
12	H130298	SCREW	3		X	X	
13	H165691	SCREW	10		X	X	
14	H140627	SCREW	10		X	X	
15	H131424	BOLT	3		X	X	
16	H132899	SCREW	5		X	X	
17	AH151362	KIT	1		X	X	

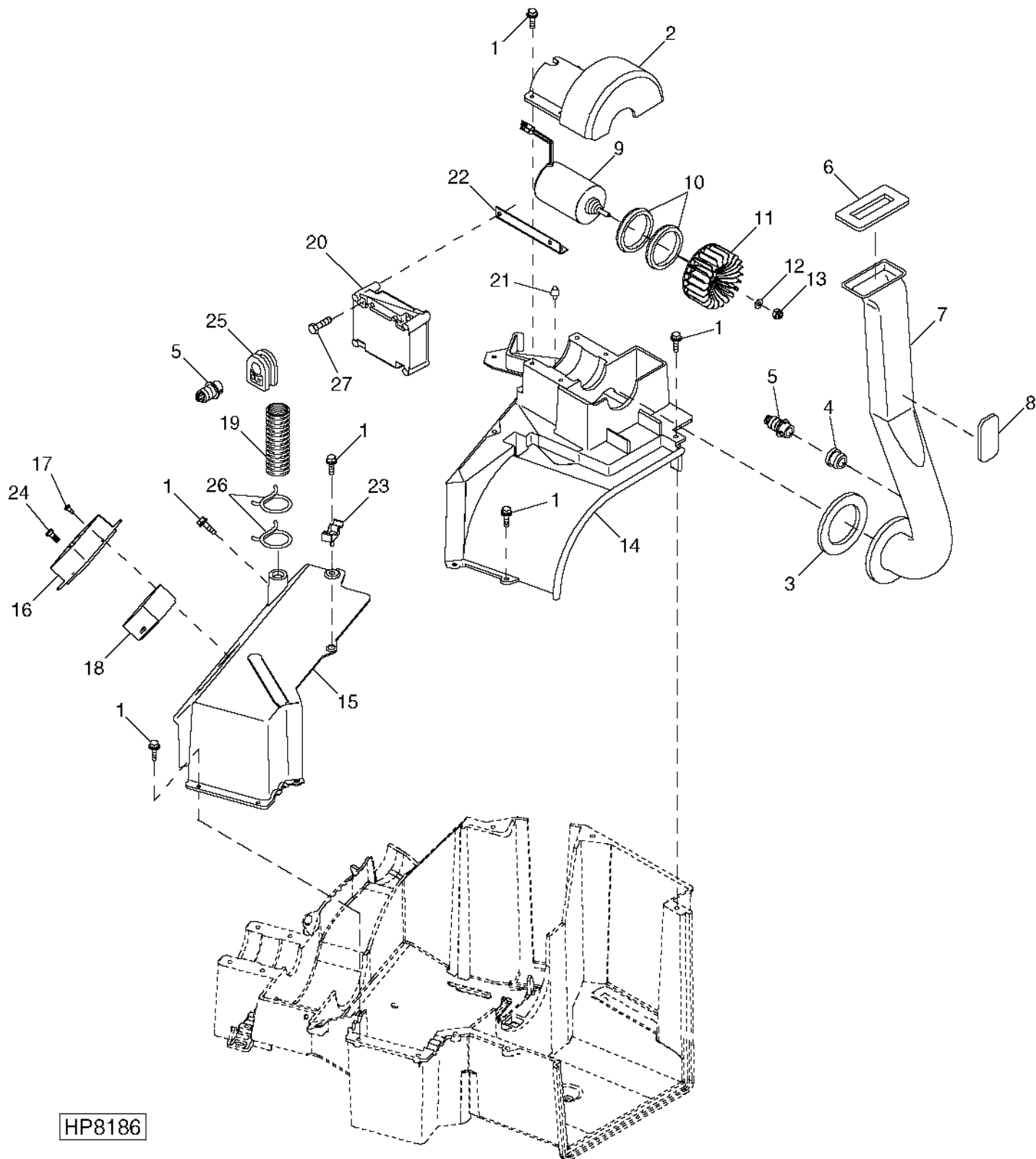
MEMORANDA

MEMORANDA

3B8

AIR CONDITIONING AND HEATER HOUSING, UPPER

HP8186 -UN-23JUL99



HP8186

3B9

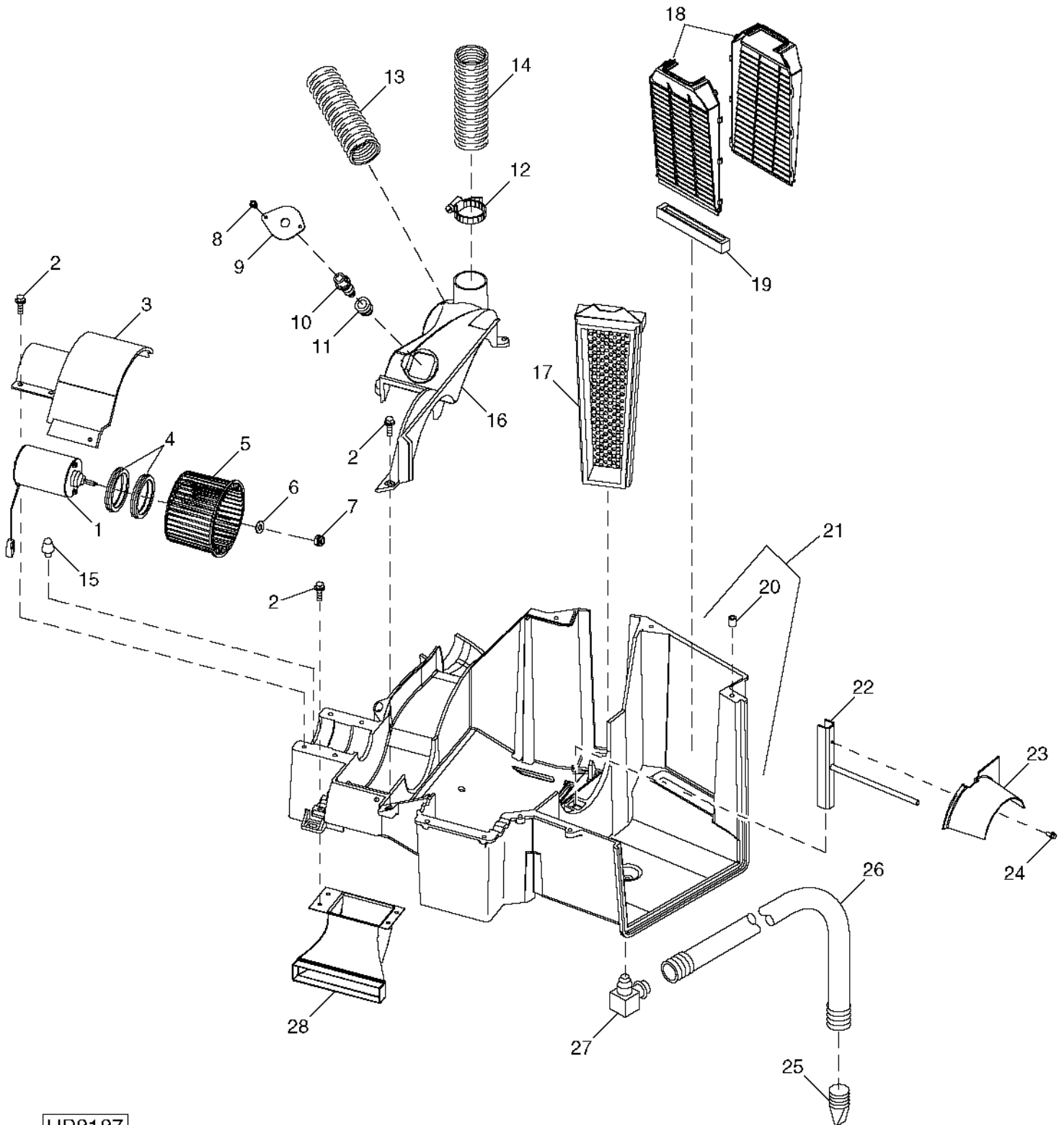
AIR CONDITIONING AND HEATER HOUSING, UPPER - CONTINUED

KEY	PART NO.	PART NAME	QTY	SERIAL NO.	REMARKS
				9 9	
				6 7	
				5 5	
				0 0	
1	19M7862	SCREW	AR	X X	M6 X 20
	19M7796	SCREW	AR	X X	M6 X 30
2	H115031	COVER	1	X X	PRESSURE BLOWER
3	H163397	SEAL	1	X X	
4	H159144	GROMMET	1	X X	
5	RE65815	SENSOR	2	X X	TEMPERATURE
6	H153438	SEAL	1	X X	(CUT FROM H88773)
7	H166179	AIR DUCT	1	X X	INTAKE
8	H159743	FOAM PAD	1	X X	
9	AH128925	BLOWER MOTOR	1	X X	PRESSURE BLOWER
10	H115521	ISOLATOR	2	X X	
11	H124185	FAN	1	X X	
12	24M7117	WASHER	AR	X X	4.300 X 9 X 0.800 MM
13	14M7264	LOCK NUT	AR	X X	M4
14	AH163596	HOUSING	1	X X	UPPER, L.H.
15	H168986	HOUSING	1	X X	UPPER, CENTER
16	H169087	FRAME	1	X X	BLOWER MOTOR DRIVER
17	37M7067	SCREW	3	X X	
18	RE153074	DRIVER	1	X X	MOTOR
19	H164702	HOSE	1	X X	AMBIENT AIR
20	AH165591	CIRCUIT BOX	1	X X	(SUB AH169642) ATC
	AH169642	CONTROL	1	X X	
21	H129887	ISOLATOR	1	X X	MOTOR GUIDE
22	H163498	BRACKET	1	X X	ATC CONTROLLER MTG
23	H158830	CLIP	1	X X	
24	21M7250	SCREW	2	X X	M4 X 12
25	H170833	GROMMET	1	X X	
26	M18356	CLAMP	2	X X	
27	19M8786	SCREW	2	X X	M6 X 70

3B10

AIR CONDITIONING AND HEATING

AIR CONDITIONING AND HEATER HOUSING, LOWER
HP8187 -UN-08JUL99



HP8187

3B11

AIR CONDITIONING AND HEATING

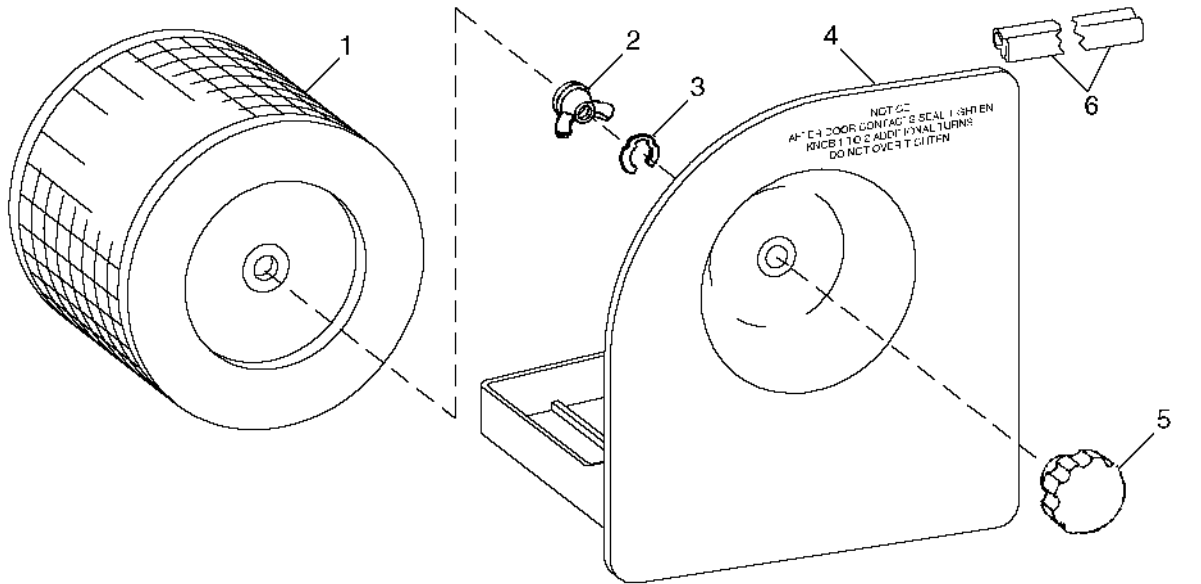
AIR CONDITIONING AND HEATER HOUSING, LOWER - CONTINUED

KEY	PART NO.	PART NAME	QTY	SERIAL NO.	9 6 5 0	REMARKS
1	AH155852	BLOWER MOTOR	1		X X	RECIRCULATION BLOWER
2	19M7862	SCREW	AR		X X	M6 X 20
3	H126590	COVER	1		X X	RECIRCULATION BLOWER
4	H115521	ISOLATOR	2		X X	
5	H114046	BLOWER FAN	1		X X	
6	24M7117	WASHER	AR		X X	4.300 X 9 X 0.800 MM
7	14M7264	LOCK NUT	AR		X X	M4
8	H123998	SCREW	AR		X X	
9	H153349	PLATE	1		X X	MOUNTING
10	RE65815	SENSOR	1		X X	TEMPERATURE
11	R159807	GROMMET	1		X X	
12	AR21999	HOSE CLAMP	2		X X	
13	H118871	LINE	1		X X	R.H.
14	H118872	LINE	1		X X	REAR
15	H129887	ISOLATOR	AR		X X	
16	H158525	HOUSING	1	-685815	X X	EVAPORATOR, UPPER R.H.
	H173793	HOUSING	1	685816-	X X	
17	AH115836	AIR FILTER	1		X X	RECIRCULATION
18	H114142	PRESCREENER	2		X X	
19	H118619	SEAL	1		X X	
20	H119362	INSERT	21		X X	
21	AH163317	HOUSING	1		X X	LOWER
22	AH134884	SUPPORT	1		X X	FILTER
23	H127978	DUST SHIELD	1		X X	
24	37M7089	SCREW	AR		X X	M6 X 12
25	H150385	CHECK VALVE	1		X X	
26	H159636	TUBE	1		X X	
27	H146429	FITTING	1		X X	
28	H126589	AIR DUCT	1		X X	BLOWER

3B12

AIR CONDITIONING AND HEATING

CAB AIR FILTER AND HOUSING
HP8201 -UN-27JUL99



HP8201

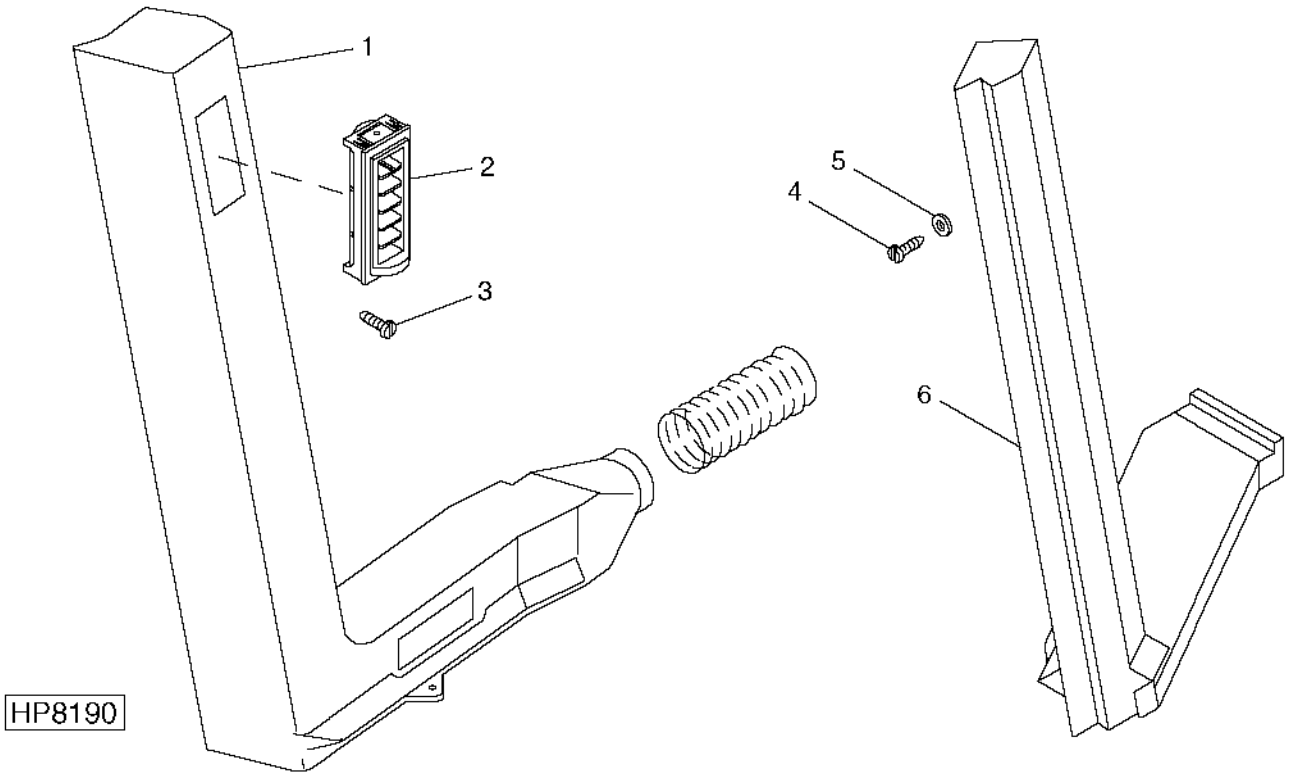
KEY	PART NO.	PART NAME	QTY	SERIAL NO.	REMARKS
				9 9	
				6 7	
				5 5	
				0 0	
1	AH115833	AIR FILTER	1	X X	
	AH168783	AIR FILTER	1	X X	HEAVY DUTY
2	AH132783	NUT	1	X X	M10
3	R58806	SNAP RING	1	X X	
4	AH120419	DOOR	1	X X	DECAL IS NOW EMBOSSED RIGHT ON DOOR
5	AH120446	KNOB	1	X X	
6	AH80335	WEATHERSTRIP	1	X X	
..	H150119	LABEL	1	X X	"CHECK PRECLEANER AND PRECLEANER OPENING IN FLOOR (50 HRS)"

3B13

AIR CONDITIONING AND HEATING

AIR CONDITIONING AND HEATER DUCTS

HP8190 -UN-27JUL99



KEY	PART NO.	PART NAME	QTY	SERIAL NO.	REMARKS
1	H168870	AIR DUCT	1		
2	AH149228	LOUVER	6		
3	37M7160	SCREW	1		
4	H165691	SCREW	1		
5	H91315	WASHER	1		
6	H168871	HOUSING	1		

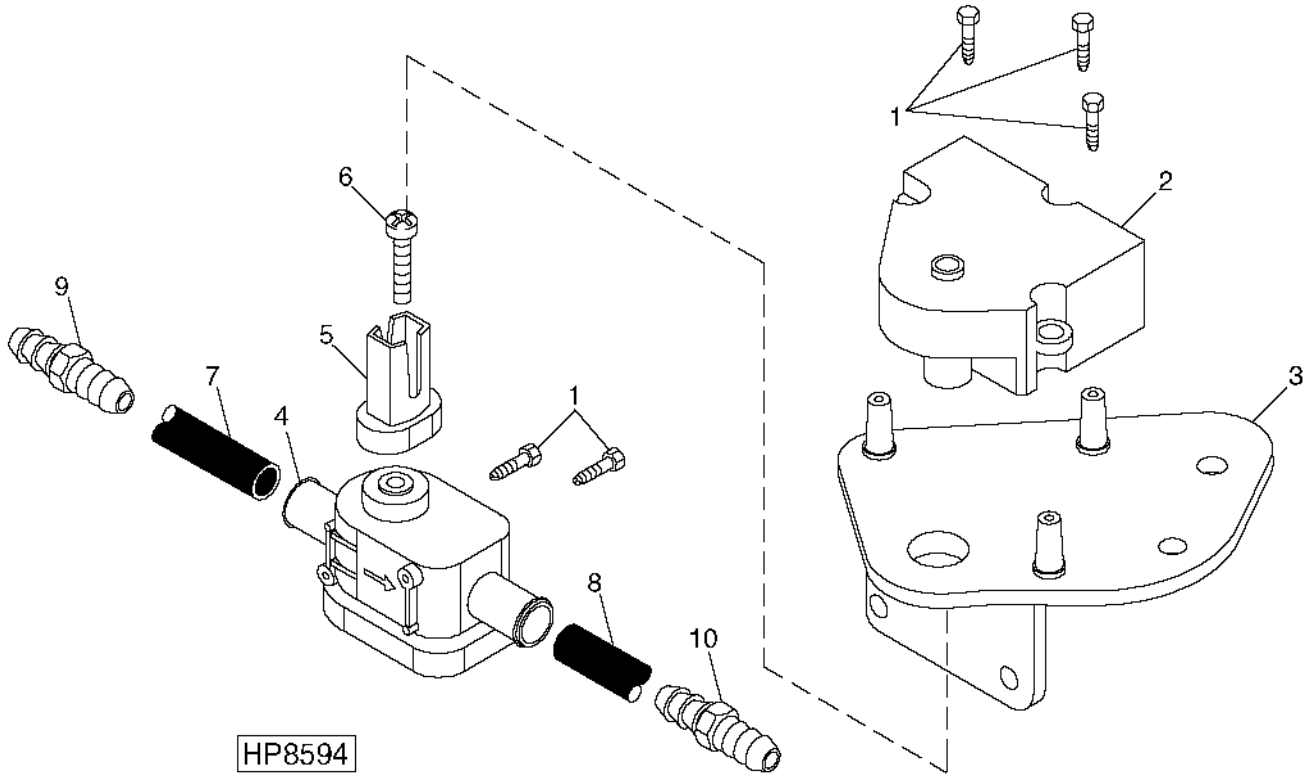
9 9
6 7
5 5
0 0

3B14

AIR CONDITIONING AND HEATING

AIR CONDITIONING SYSTEM - WATER VALVE ASSEMBLY

HP8594 -UN-20MAY99



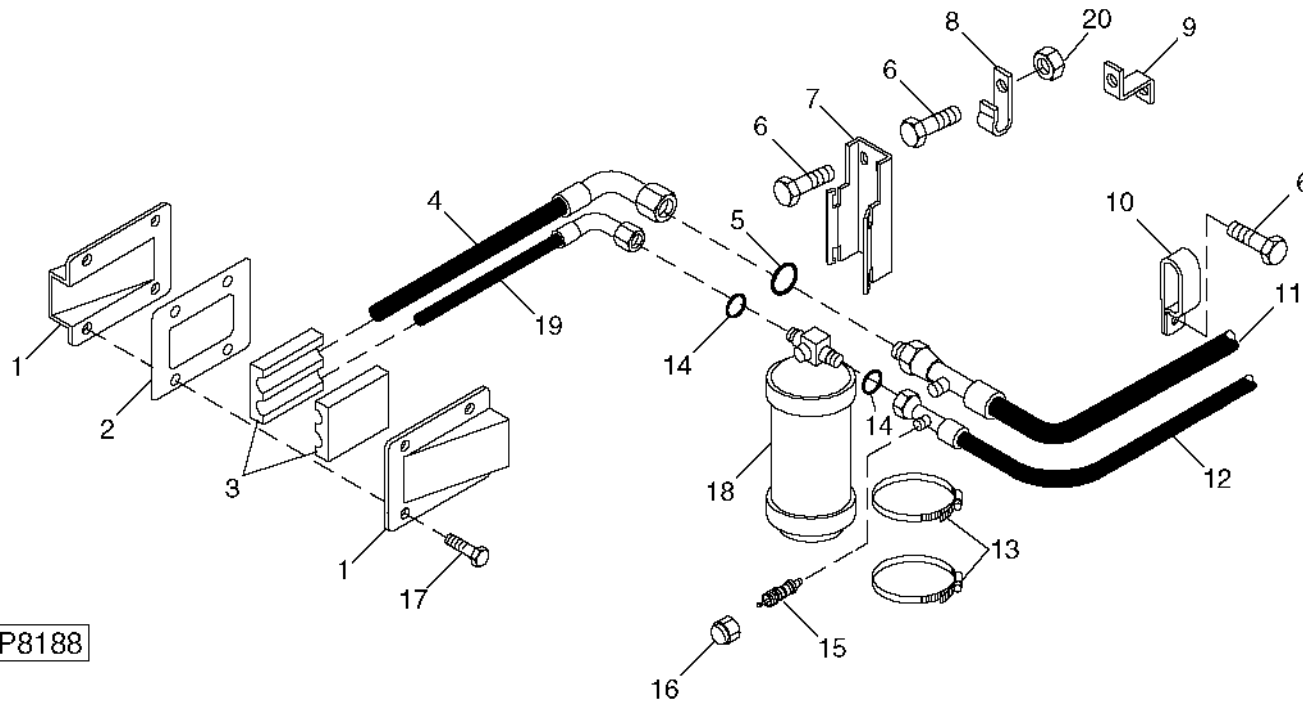
9 9
6 7
5 5
0 0

KEY	PART NO.	PART NAME	QTY	SERIAL NO.	REMARKS
1	37H43	SCREW	5	X X	
2	RE154319	ACTUATOR	1	X X	
3	H163391	BRACKET	1	X X	
4	RE154318	VALVE	1	X X	
5	R154320	ADAPTER	1	X X	
6	H110842	SCREW	1	X X	
7	H153888	HYDRAULIC HOSE	1	X X	
8	H153889	HOSE	1	X X	
9	H153721	COUPLING	1	X X	
10	H153722	COUPLING	1	X X	

3B15

AIR CONDITIONING SYSTEM - RECEIVER-DRYER

HP8188 -UN-28MAY99



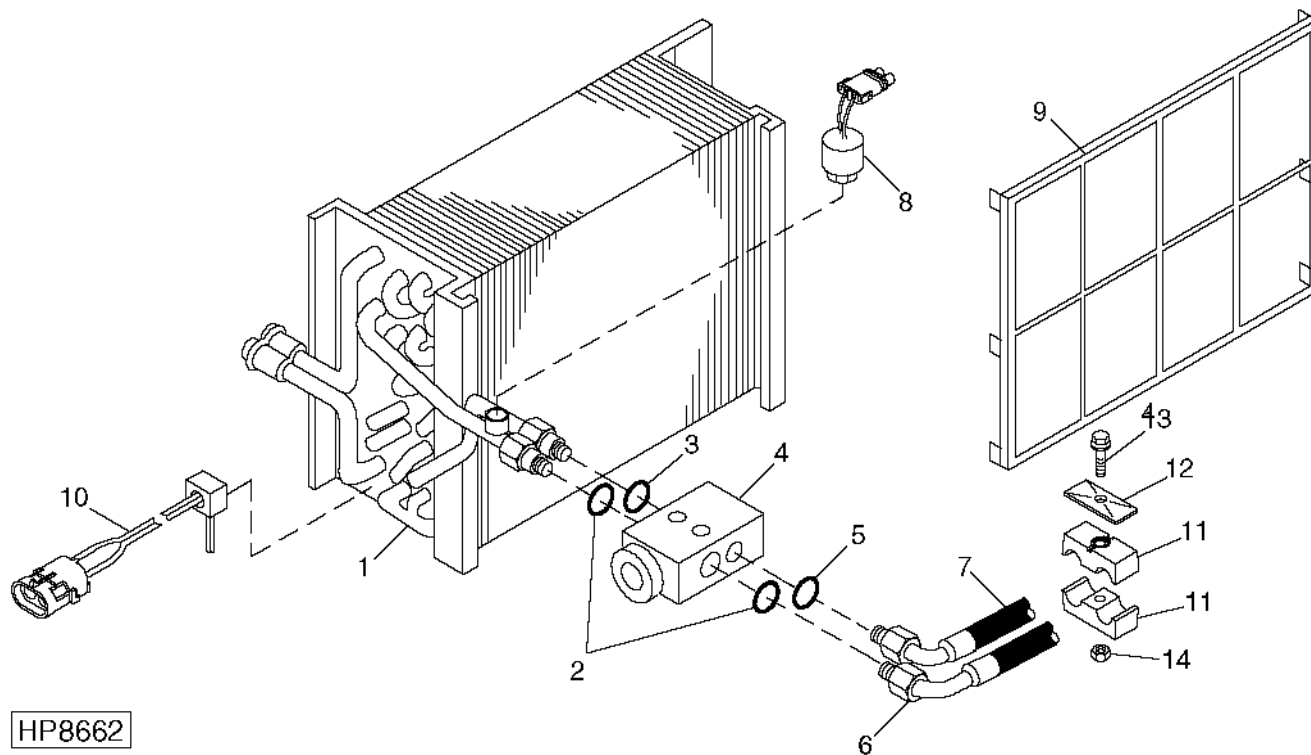
HP8188

KEY	PART NO.	PART NAME	QTY	SERIAL NO.	REMARKS
				9 9	
				6 7	
				5 5	
				0 0	
1	H129606	RETAINER	2	X X	
2	H114525	GASKET	1	X X	
3	H114523	SEAL	2	X X	
4	AH127685	HOSE	1	X X	7/8" X 912 MM X 7/8", SUCTION
5	R33259	O-RING	1	X X	
6	19M7865	SCREW	4	X X	M8 X 16
7	H136541	HOSE SUPPORT	1	X X	
8	AH77724	CLIP	1	X X	
9	H132538	HOSE SUPPORT	1	X X	
10	AH77869	CLIP	1	X X	
11	AH147295	HOSE	1	X X	A/C SUCTION
12	AH147296	HOSE	1	X X	A/C LIQUID
13	AR21842	CLAMP	1	X X	
14	R10093	O-RING	1	X X	
15	R60170	VALVE	1	X X	
16	R120955	CAP	1	X X	LOW PRESSURE
	R120956	CAP	1	X X	HIGH PRESSURE
17	37M7090	SCREW	4	X X	M6 X 16
18	AH137486	RECEIVER-DRYER	1	X X	
19	AH127684	HOSE	1	X X	LIQUID
20	14M7298	FLANGE NUT	4	X X	M8

3B16

AIR CONDITIONING SYSTEM - EVAPORATOR HEATER

HP8662 -UN-15JUN99



HP8662

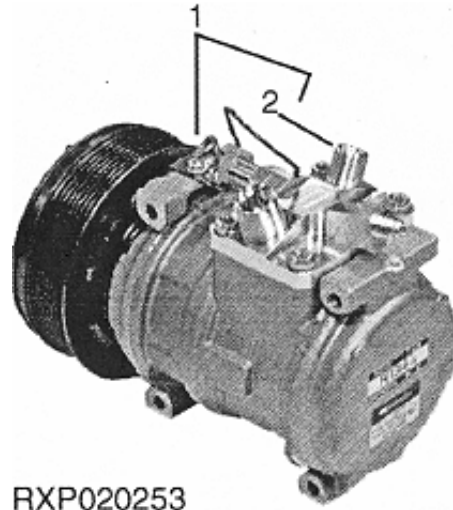
9 9
6 7
5 5
0 0

KEY	PART NO.	PART NAME	QTY	SERIAL NO.	REMARKS
1	AH150260	EVAPORATOR	1	X X	HEATER
2	R33259	O-RING	2	X X	
3	R113050	RING	1	X X	
4	AH137702	VALVE	1	X X	
5	R10093	O-RING	1	X X	
6	AH127684	HOSE	1	X X	
7	AH127685	HOSE	1	X X	
8	AH144084	SWITCH	1	X X	LOW PRESSURE, A/C
9	AH120547	FILTER	1	X X	EVAPORATOR HEATER
10	RE65814	SENSOR	1	X X	EVAPORATOR TEMPERATURE
11	H156670	CLAMP	2	X X	
12	H121166	PLATE	1	X X	
13	19M7801	SCREW	1	X X	M8 X 60
14	14M7298	FLANGE NUT	1	X X	M8

3B17

AIR CONDITIONING COMPRESSOR (FOR R134A REFRIGERANT)

RXP020253 -UN-01JAN94



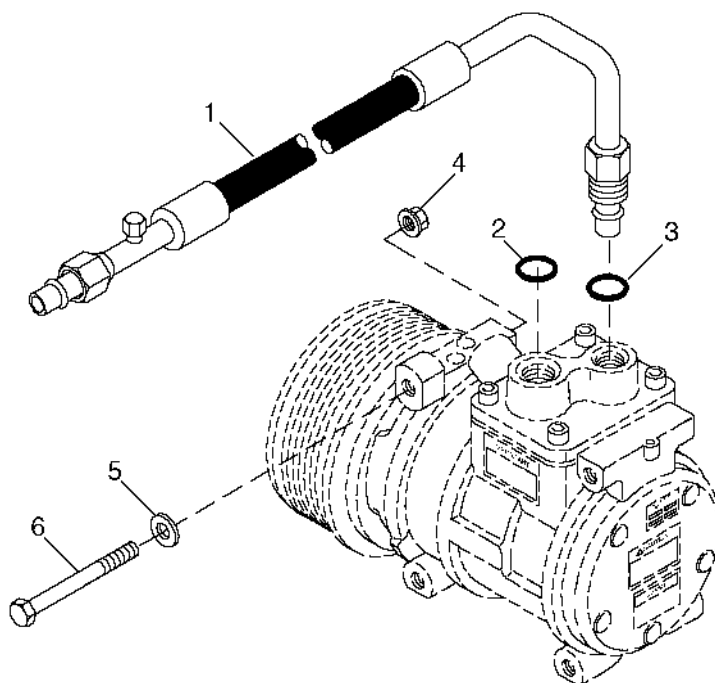
RXP020253

KEY	PART NO.	PART NAME	QTY	SERIAL NO.	REMARKS
				9 9	
				6 7	
				5 5	
				0 0	
1	RE52454	COMPRESSOR	1	X X	(WITHOUT CLUTCH)
2	RE51052	MANIFOLD	1	X X	(WITH SEAL)
..	R115742	SEAL	1	X X	
..	TY22101	OIL	1	X X	(SUB FOR TY22025)
..	TY15949	REFRIGERANT	1	X X	12 LBS
..	TY15950	REFRIGERANT	1	X X	15 LBS
..	TY15951	REFRIGERANT	1	X X	30 LBS
..	RE46609	COMPRESSOR	1	X X	COMPLETE
..	TY6764	COMPRESSOR	1	X X	(REMANUFACTURED)

3B18

AIR CONDITIONING COMPRESSOR HOSE

HP9077 -UN-17SEP99



HP9077

9 9
6 7
5 5
0 0

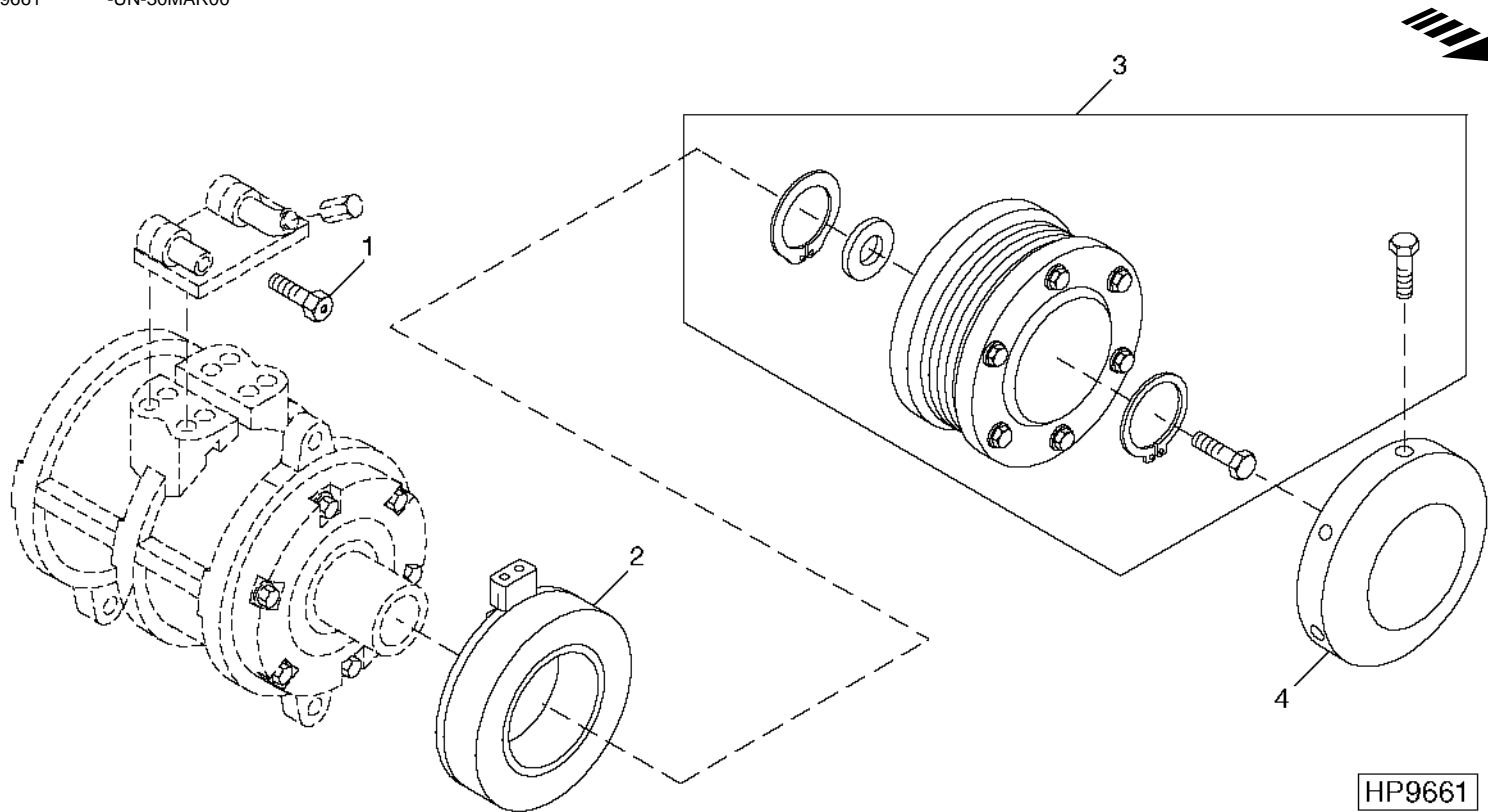
KEY	PART NO.	PART NAME	QTY	SERIAL NO.	REMARKS
1	AH159078	REFRIGERANT HOSE	1		X X A/C PRESSURE
2	R113050	RING	AR		X X ON PRESSURE PORT
3	R33259	O-RING	AR		X X ON SUCTION PORT
4	34M7189	SPRING PIN	3		X X 11 X 8 MM
5	24M7238	WASHER	3		X X 8.700 X 17 X 2 MM
6	19M7913	SCREW	3		X X M8 X 90

3B19

AIR CONDITIONING AND HEATING

COMPRESSOR CLUTCH AND SERVICE VALVES (FOR R134A REFRIGERANT)

HP9661 -UN-30MAR00



HP9661

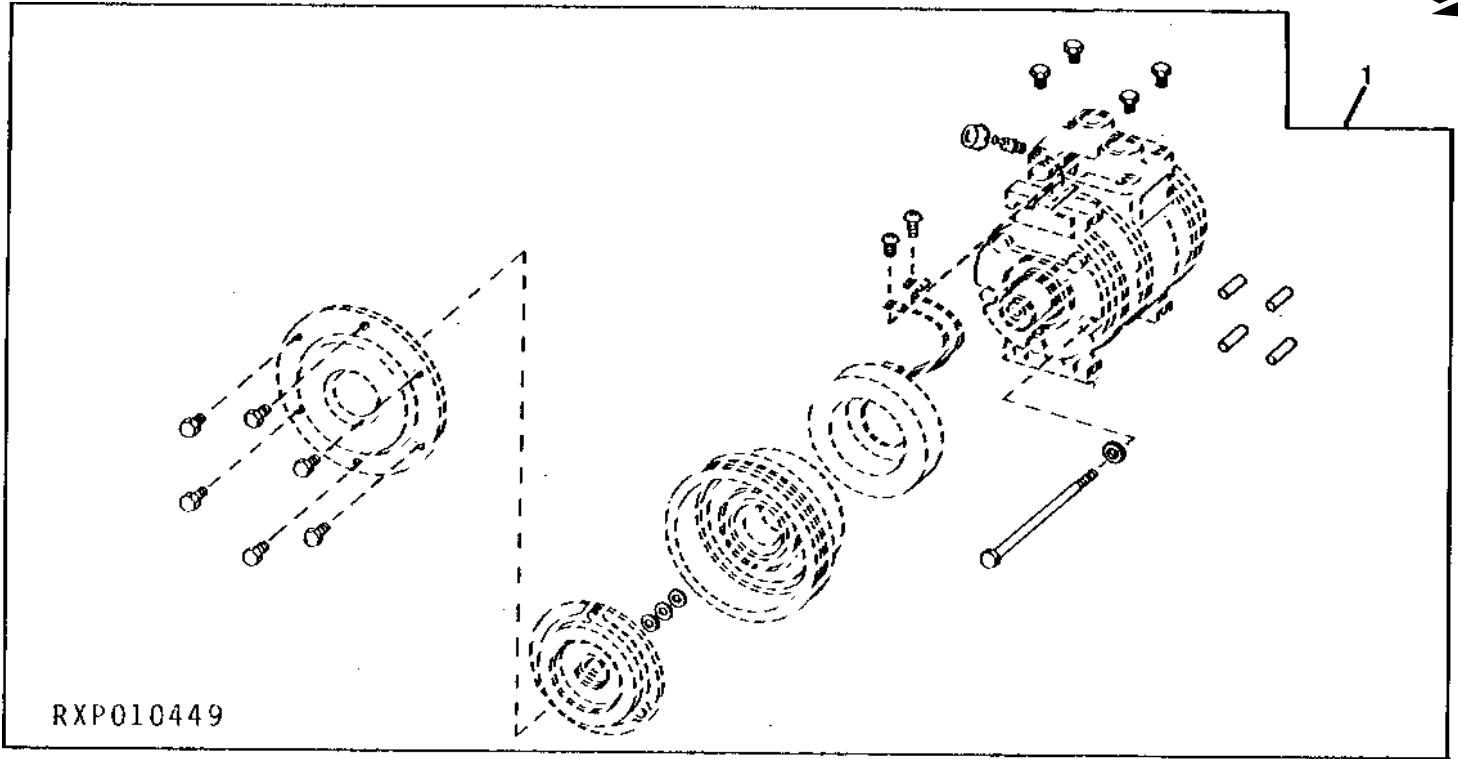
KEY	PART NO.	PART NAME	QTY	SERIAL NO.	REMARKS
1	RE52506	VALVE	1	9 9	(WITH O-RING)
2	RE52510	STATOR	1	6 7	
3	RE52508	KIT	4	5 5	
4	R115743	COVER	1	0 0	

3B20

AIR CONDITIONING AND HEATING

COMPRESSOR HARDWARE SET (FOR R134A REFRIGERANT)

RXP010449 -UN-01JAN94

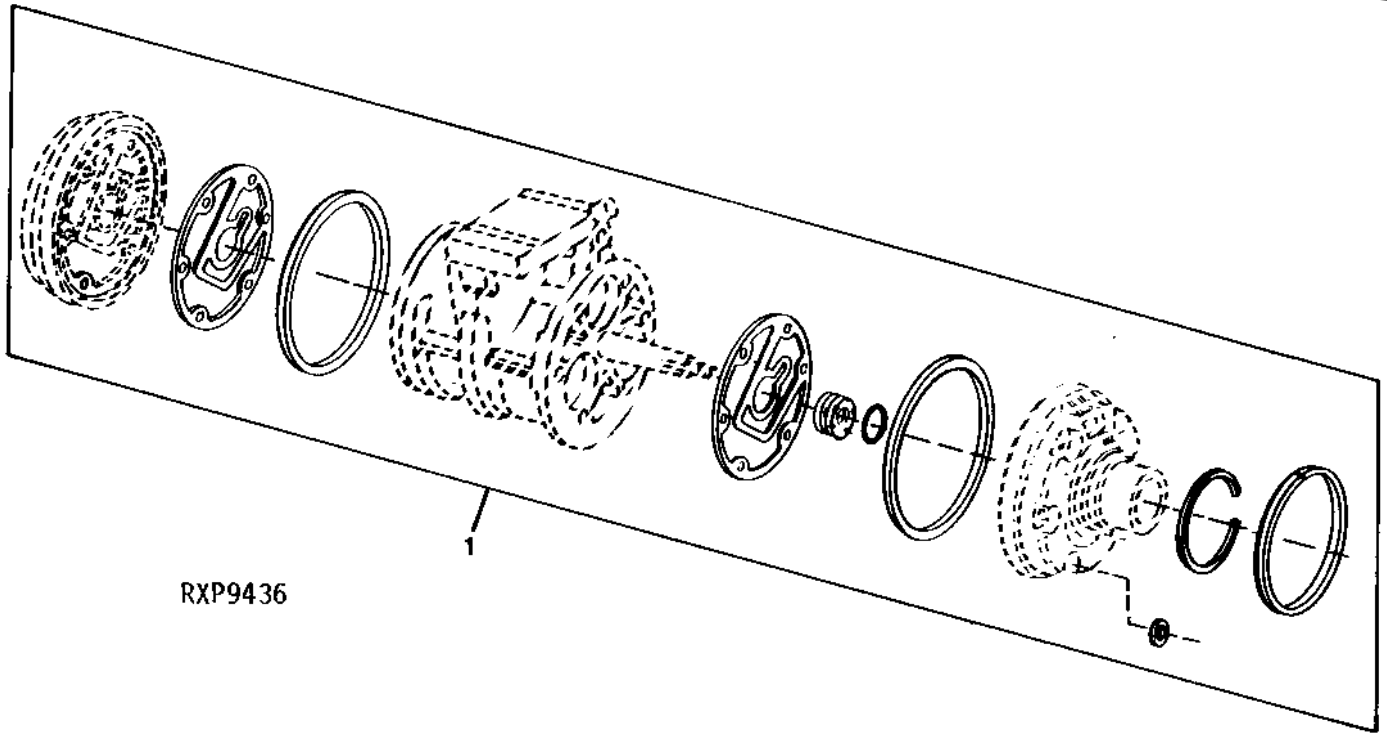


KEY	PART NO.	PART NAME	QTY	SERIAL NO.	REMARKS
1	RE52507	KIT	1	X X	

3B21

COMPRESSOR PARTS (FOR R134A REFRIGERANT)

RXP9436 -UN-01JAN94

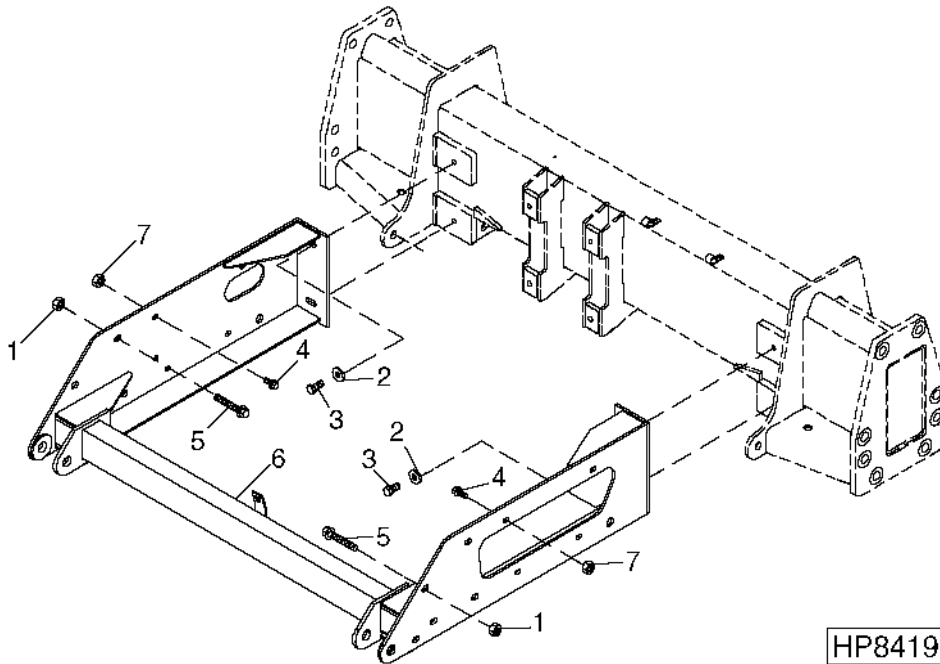


RXP9436

KEY	PART NO.	PART NAME	QTY	SERIAL NO.	REMARKS
				9 9	
				6 7	
				5 5	
				0 0	
1	RE52509	SEAL KIT	1	X X	

MEMORANDA

FEEDERHOUSE LIFT SUPPORT
HP8419 -UN-02JUL99



HP8419

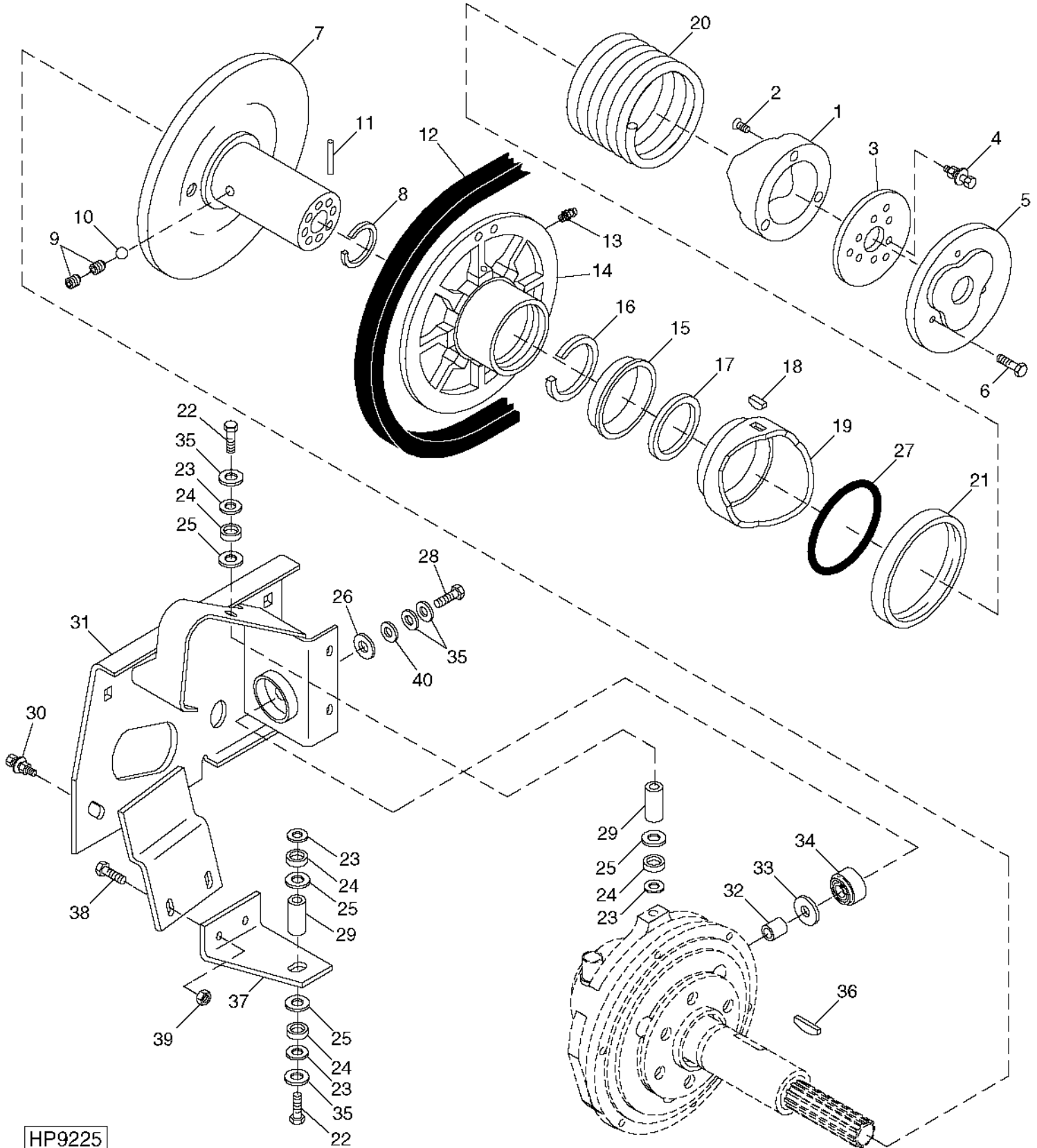
KEY	PART NO.	PART NAME	QTY	SERIAL NO.	REMARKS
				9 9	
				6 7	
				5 5	
				0 0	
1	14M7291	FLANGE NUT	8	X X	M16
2	T119912	WASHER	4	X X	
3	19M8035	CAP SCREW	4	X X	M16 X 35
4	19M7789	SCREW	8	X X	M12 X 30
5	19M7828	SCREW	8	X X	M16 X 100
6	AH145938	SUPPORT	1	X X	
7	14M7299	FLANGE NUT	8	X X	M12

3C4

FEEDER HOUSE

FRONT VARIABLE DRIVE SHEAVE AND MOUNTINGS

HP9225 -UN-28OCT99



HP9225

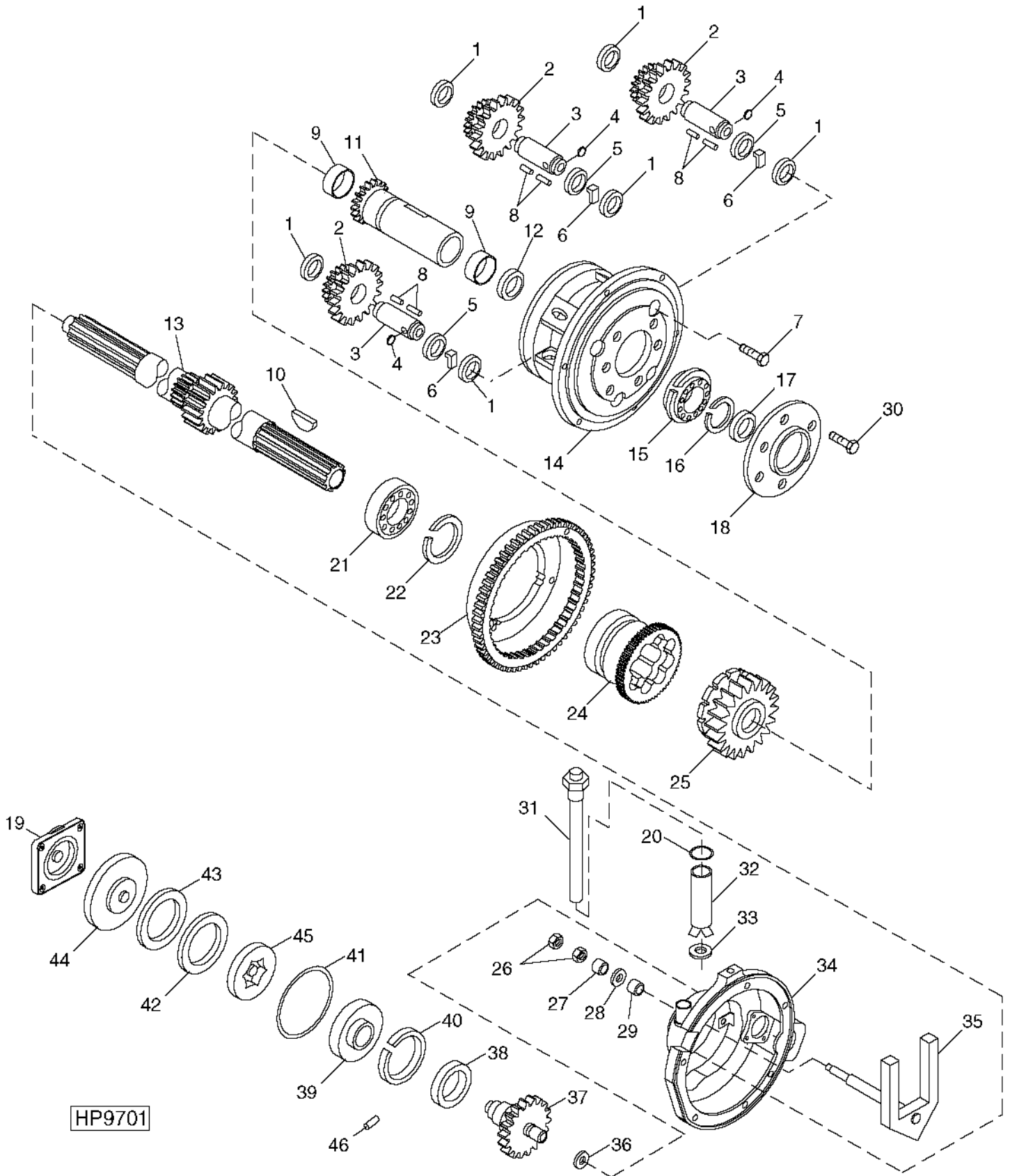
FRONT VARIABLE DRIVE SHEAVE AND MOUNTINGS - CONTINUED

KEY	PART NO.	PART NAME	QTY	SERIAL NO.	REMARKS
				9 9	
				6 7	
				5 5	
				0 0	
1	CAM	1	X X	(A) OUTER
2	32243	PLUG	1	X X	
3	H170645	SPACER	1	X X	
4	19M7938	CAP SCREW	6	X X	M10 X 20
	12M7135	LOCK WASHER	6	X X	10.200 MM
5	H155459	RETAINER	1	X X	
6	19M9042	CAP SCREW	3	X X	(A) M10 X 80
	12M7135	LOCK WASHER	3	X X	10.200 MM
7	H158575	SHEAVE	1	X X	318 MM, (HI CAPACITY)
	H168126	SHEAVE	1	X X	318 MM, (STANDARD CAPACITY)
8	B3118R	SNAP RING	1	X X	
9	22H775	SET SCREW	2	X X	5/16" X 1/4"
10	H110922	BALL	1	X X	
11	34M7255	SPRING PIN	1	X X	6 X 50 MM
12	H166457	BELT	1	X X	(HI CAPACITY)
	H157732	BELT	1	X X	(STANDARD CAPACITY)
13	JD7798	LUBRICATION FITTING	2	X X	
14	AH160615	SHEAVE	1	X X	(HI CAPACITY)
	AH157933	SHEAVE	1	X X	(STANDARD CAPACITY)
15	H110728	RETAINER	1	X X	
16	H97308	SNAP RING	1	X X	
17	AH108161	SEAL	1	X X	
18	26H104	SHAFT KEY	1	X X	(STANDARD CAPACITY)
	26H104	SHAFT KEY	2	X X	(HI CAPACITY)
19	CAM	1	X X	(A) INNER
20	H172267	SPRING	1	X X	
21	AH96345	SEAL	1	X X	
22	19M7826	SCREW	1	X X	M16 X 70
23	P50456	WASHER	2	X X	
24	H148132	BUSHING	2	X X	
25	H148133	RETAINER	1	X X	
26	T55761	SUPPORT	1	X X	
27	GASKET	1	X X	
28	19M7845	SCREW	1	X X	M16 X 90
29	H148134	SPACER	1	X X	
30	03M7191	BOLT	4	X X	M10 X 25
	14M7296	FLANGE NUT	5	X X	M10
	03M7192	BOLT	1	X X	M10 X 30
31	AH150451	SUPPORT	1	X X	
32	H95417	SPACER	1	X X	
33	H97410	WASHER	1	X X	
34	R62502	SUPPORT	1	X X	
35	24M7241	WASHER	1	X X	17 X 34 X 4 MM
36	Z61818	SHAFT KEY	2	X X	(HI CAPACITY)
	26H104	SHAFT KEY	2	X X	(STANDARD CAPACITY)
37	H159818	BRACKET	1	X X	
38	03M7198	BOLT	2	X X	M12 X 30
39	14M7299	FLANGE NUT	2	X X	M12
40	H163726	WASHER	1	X X	
..	TY6341	GREASE	1	X X	14 OZ. TUBE
..	AH154890	KIT	1	X X	INCLUDES PARTS MARKED (A)

3C6

FEEDER HOUSE

REVERSER GEAR BOX (HI CAPACITY) HP9701 -UN-17APR00



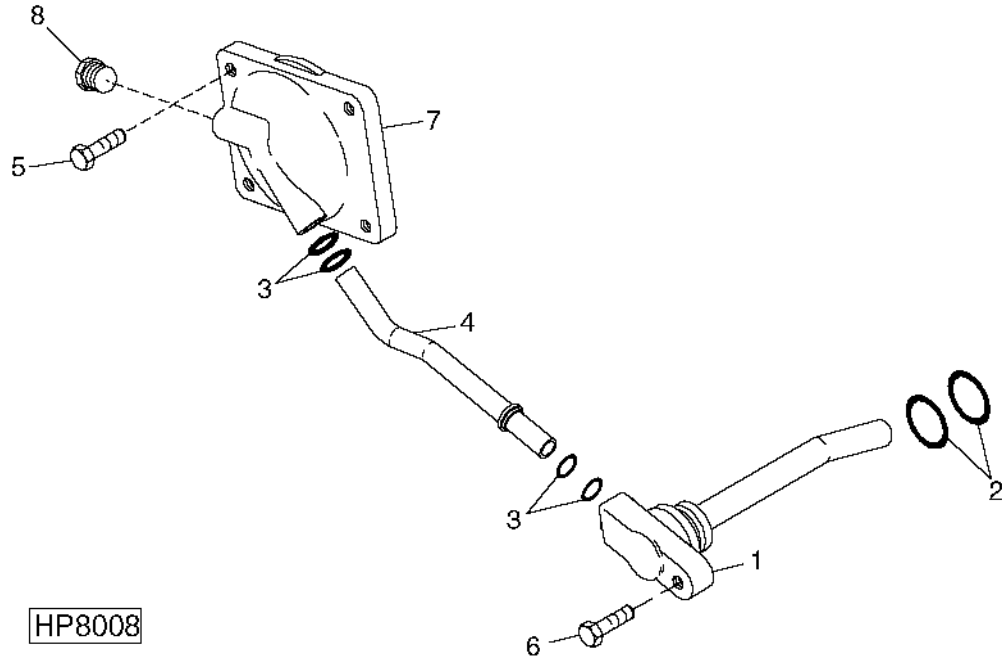
HP9701

REVERSER GEAR BOX (HI CAPACITY) - CONTINUED

KEY	PART NO.	PART NAME	QTY	SERIAL NO.	REMARKS
				9 9	
				6 7	
				5 5	
				0 0	
1	R66197	THRUST WASHER	6	X X	
2	Z12714	RING GEAR	3	X X	
3	Z61813	SHAFT	3	X X	
4	H871R	BALL	3	X X	
5	R33088	WASHER	3	X X	
6	H89617	SPACER	3	X X	
7	19M7166	CAP SCREW	6	X X	M10 X 20
8	Z61817	PIN	174	X X	(6 SETS OF 29)
9	AH150686	NEEDLE BEARING	2	X X	
10	Z61818	SHAFT KEY	1	X X	WOODRUFF
11	H160953	GEAR	1	X X	INPUT
12	E53699	SEAL	1	X X	
13	AH168046	SHAFT	1	X X	(SUB FOR AH163895)
14	H156091	COVER	1	X X	
15	AZ49013	BALL BEARING	1	X X	
16	R39081	SNAP RING	2	X X	
17	AZ49370	SEAL	2	X X	
18	Z12851	COVER	1	X X	
19	H156095	HOUSING	1	X X	
20	R26375	O-RING	1	X X	
21	AZ49371	BALL BEARING	1	X X	
22	Z62549	SNAP RING	1	X X	
23	AH148894	RING GEAR	1	X X	
24	Z62147	COUPLING	1	X X	
25	H170781	GEAR	1	X X	OUTPUT
26	14H832	NUT	2	X X	9/16"
27	28H2499	BUSHING	1	X X	0.742" X 1.050" X 5/8"
28	24H1378	WASHER	1	X X	11/16" X 1-15/32" X 0.134"
29	AN113330	SEAL	1	X X	
30	19M7810	SCREW	6	X X	M10 X 80
31	AH167602	DIPSTICK	1	X X	
32	H140195	SPACER	1	X X	
33	R26906	O-RING	1	X X	
34	H156090	HOUSING	1	X X	
35	AZ51438	SHIFTER	1	X X	
36	M800578	BALL BEARING	1	X X	
37	H165464	SPUR GEAR	1	X X	
38	JD7678	BALL BEARING	1	X X	
39	H165463	BEARING	1	X X	
40	M1007T	SNAP RING	1	X X	
41	U10776	O-RING	1	X X	
42	H82233	BUSHING	1	X X	
43	H82232	WASHER	1	X X	
44	H82234	PLATE	1	X X	
45	AH128528	ROTOR	1	X X	
46	H75358	DOWEL PIN	1	X X	
..	TY9371	ADHESIVE	1	X X	3 OZ. SIZE
..	AH159170	GEAR CASE	1	X X	

REVERSER GEAR BOX (HI CAPACITY) - CONTINUED

HP8008 -UN-14JAN99



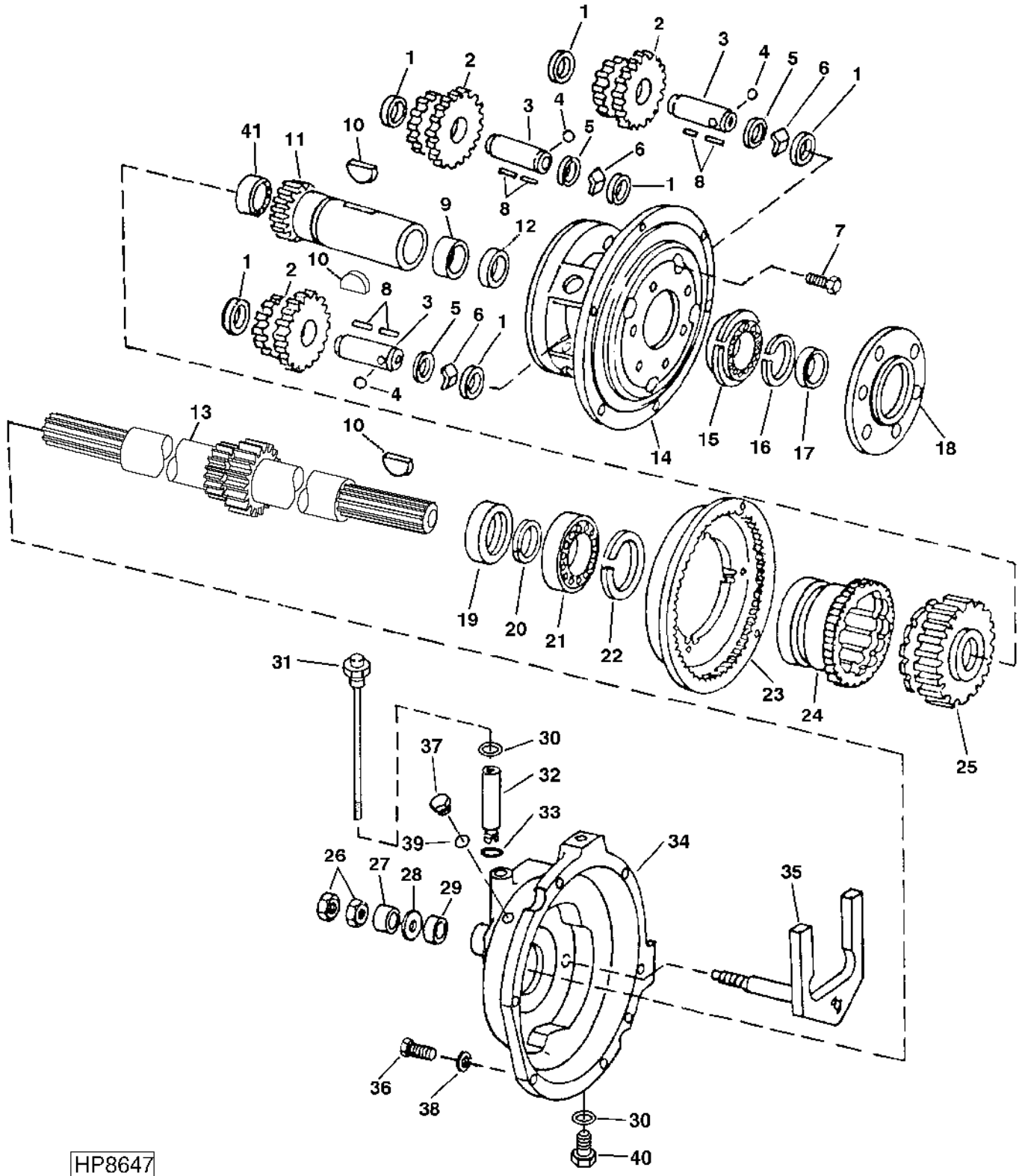
HP8008

KEY	PART NO.	PART NAME	QTY	SERIAL NO.	REMARKS
				9 9	
				6 7	
				5 5	
				0 0	
1	AH125228	FITTING	1	X X	
2	R495R	O-RING	2	X X	
3	R394R	O-RING	4	X X	
4	H156096	TUBE	1	X X	
5	19M7866	SCREW	4	X X	M8 X 20
6	19M8162	CAP SCREW	1	X X	M10 X 40
7	H156095	HOUSING	1	X X	
8	R39112	FITTING	2	X X	
..	AH159170	GEAR CASE	1	X X	

MEMORANDA

3C9

REVERSER GEAR BOX (STANDARD) HP8647 -UN-01JUL99



HP8647

3C10

FEEDER HOUSE

REVERSER GEAR BOX (STANDARD) - CONTINUED

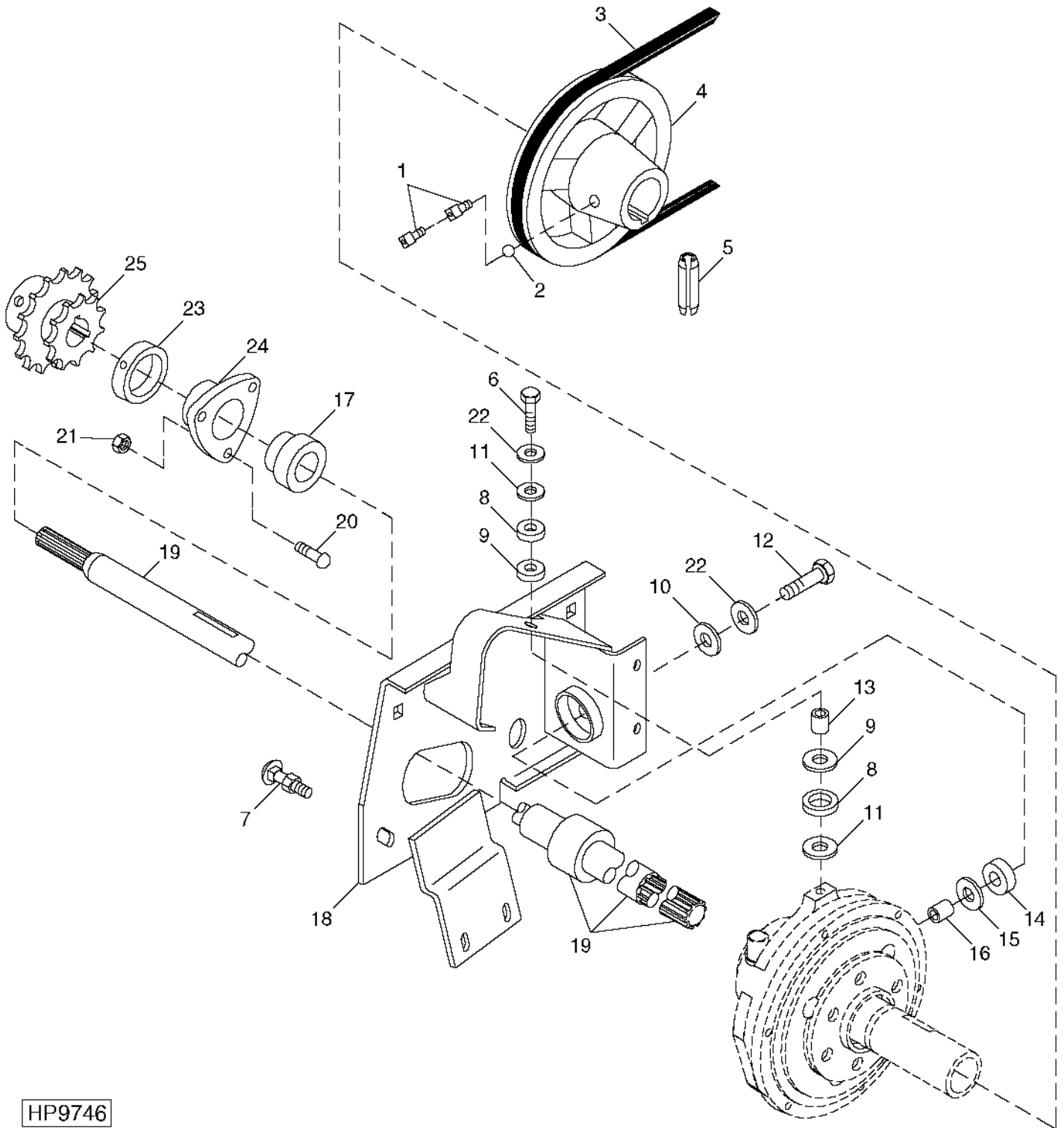
KEY	PART NO.	PART NAME	QTY	SERIAL NO.	9 6 5 0	9 7 5 0	REMARKS
1	R66197	THRUST WASHER	6		X	X	
2	H168994	PINION	3		X	X	
3	R33079	PIN	3		X	X	
4	H871R	BALL	3		X	X	
5	R33088	WASHER	3		X	X	
6	H89617	SPACER	3		X	X	
7	19M7938	CAP SCREW	6		X	X	M10 X 20
8	R33058	NEEDLE ROLLER	186		X	X	(6 SETS OF 31)
9	AH150686	NEEDLE BEARING	1		X	X	
10	26H104	SHAFT KEY	3		X	X	5/16" X 2-1/8"
11	H166216	GEAR	1		X	X	INPUT
12	E53699	SEAL	1		X	X	
13	AH152937	SHAFT	1		X	X	
14	H168125	COVER	1		X	X	
15	JD10010	BALL BEARING	1		X	X	
16	R39081	SNAP RING	1		X	X	
17	AH144715	SEAL	1		X	X	
18	H150662	BEARING HOUSING W/O BEARING	1		X	X	
19	AH140185	SEAL	1		X	X	
20	N71922	SNAP RING	1		X	X	
21	JD10011	BALL BEARING	1		X	X	
22	BP13620	SNAP RING	1		X	X	
23	AH105040	GEAR	1		X	X	
24	H132328	SHIFT COLLAR	1		X	X	
25	H106073	GEAR	1		X	X	OUTPUT
26	14H832	NUT	2		X	X	9/16"
27	28H2499	BUSHING	1		X	X	0.742" X 1.050" X 5/8"
28	24H1378	WASHER	1		X	X	11/16" X 1-15/32" X 0.134"
29	AN113330	SEAL	1		X	X	
30	R26906	O-RING	2		X	X	
31	AH167602	DIPSTICK	1		X	X	(SUB FOR AH140615)
32	H140195	SPACER	1		X	X	
33	R26375	O-RING	1		X	X	
34	AH159233	HOUSING	1		X	X	
35	AH93110	SHIFTER	1		X	X	
36	19M7402	CAP SCREW	6		X	X	M10 X 25
37	R27218	FITTING PLUG	1	-685709	X		
	R27218	FITTING PLUG	1	-685734	X		
	R39112	FITTING	1	685710-	X		
	R39112	FITTING	1	685735-	X		
38	12M7135	LOCK WASHER	6		X	X	10.200 MM
39	R26448	O-RING	1	-685709	X		
	R26448	O-RING	1	-685734	X		
	R26375	O-RING	1	685710-	X		
	R26375	O-RING	1	685735-	X		
40	R39112	FITTING	1		X	X	
41	JD8819	NEEDLE BEARING	1		X	X	
..	TY15130	SEALANT	1		X	X	3 OZ. SIZE
..	AH153341	GEAR CASE	1		X	X	

3C11

FEEDER HOUSE

FRONT DRIVE SHAFT, SHEAVE AND MOUNTINGS (FIXED SPEED WITH REVERSER)

HP9746 -UN-10MAY00



HP9746

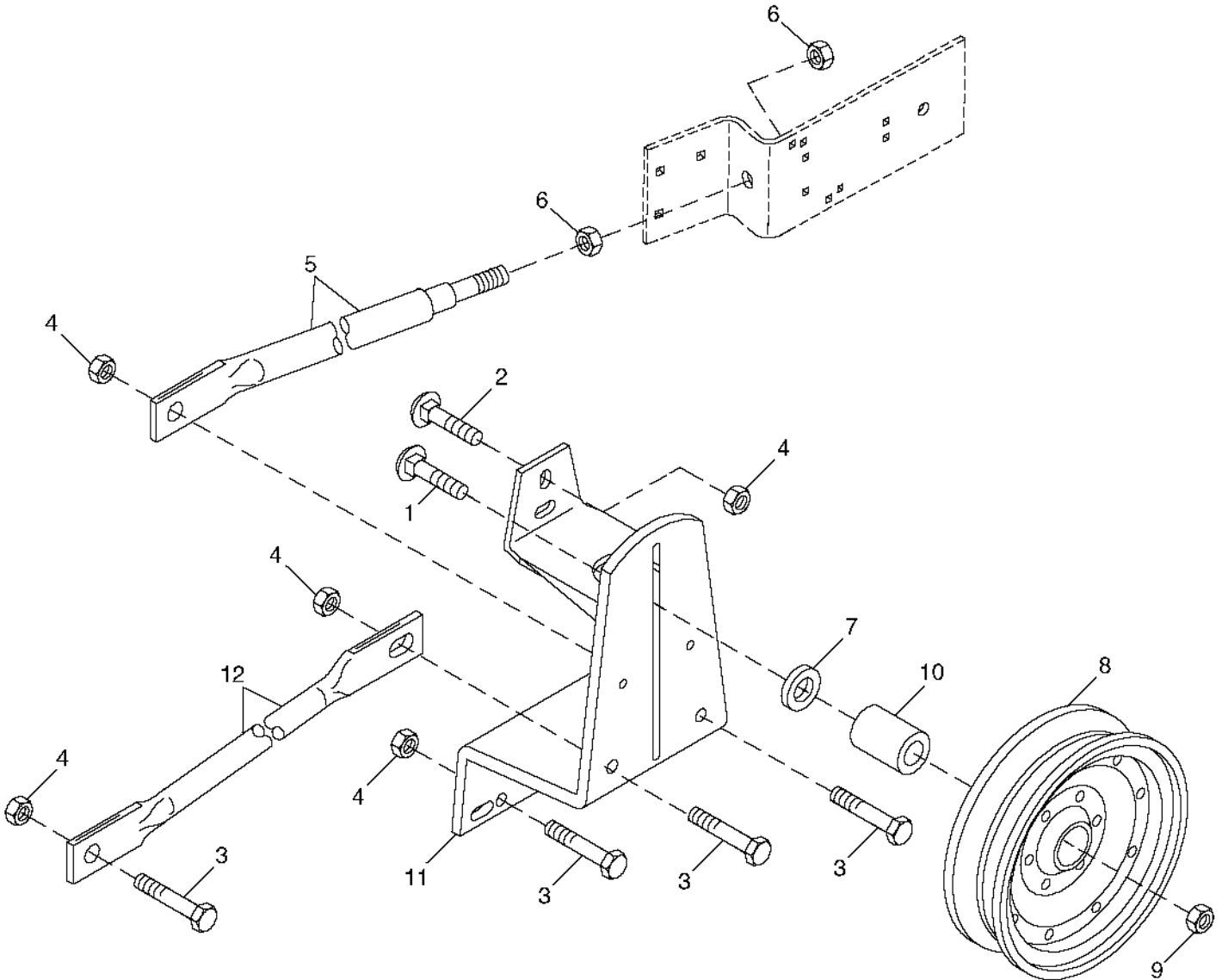
**FRONT DRIVE SHAFT, SHEAVE AND MOUNTINGS - CONTINUED
(FIXED SPEED WITH REVERSER)**

KEY	PART NO.	PART NAME	QTY	SERIAL NO.	REMARKS
				9 9	
				6 7	
				5 5	
				0 0	
1	22H775	SET SCREW	2	X X	5/16" X 1/4"
2	H110922	BALL	1	X X	
3	H111519	BELT	1	X X	
4	H108889	SHEAVE	1	X X	
5	34H305	SPRING PIN	1	X X	7/32" X 2"
6	19M7826	SCREW	1	X X	M16 X 70
7	03M7191	BOLT	4	X X	M10 X 25
	14M7296	FLANGE NUT	5	X X	M10
	03M7192	BOLT	1	X X	M10 X 30
8	H148132	CUSHION	2	X X	
9	H148133	RETAINER	2	X X	
10	T55761	SUPPORT	1	X X	
11	H163726	WASHER	3	X X	
12	19M7845	SCREW	1	X X	M16 X 90
13	H148134	SPACER	1	X X	
14	R62502	SUPPORT	1	X X	
15	H97410	WASHER	1	X X	
16	H95417	SPACER	1	X X	
17	JD9202	BALL BEARING	1	X X	
18	AH150451	SUPPORT	1	X X	
19	AH152937	SHAFT	1	X X	(CORN)
20	03M7192	BOLT	3	X X	M10 X 30
21	14M7296	FLANGE NUT	3	X X	M10
22	24M7241	WASHER	1	X X	17 X 34 X 4 MM
23	JD9201	ECCENTRIC LOCKING COLLAR	1	X X	
24	H93927	HOUSING	1	X X	
25	AH149349	DRIVE SPROCKET	1	X X	

3C13

FEEDER HOUSE

VARIABLE SPEED FEEDER HOUSE DRIVE TIGHTENER
HP8795 -UN-19JUL99



HP8795

3C14

FEEDER HOUSE

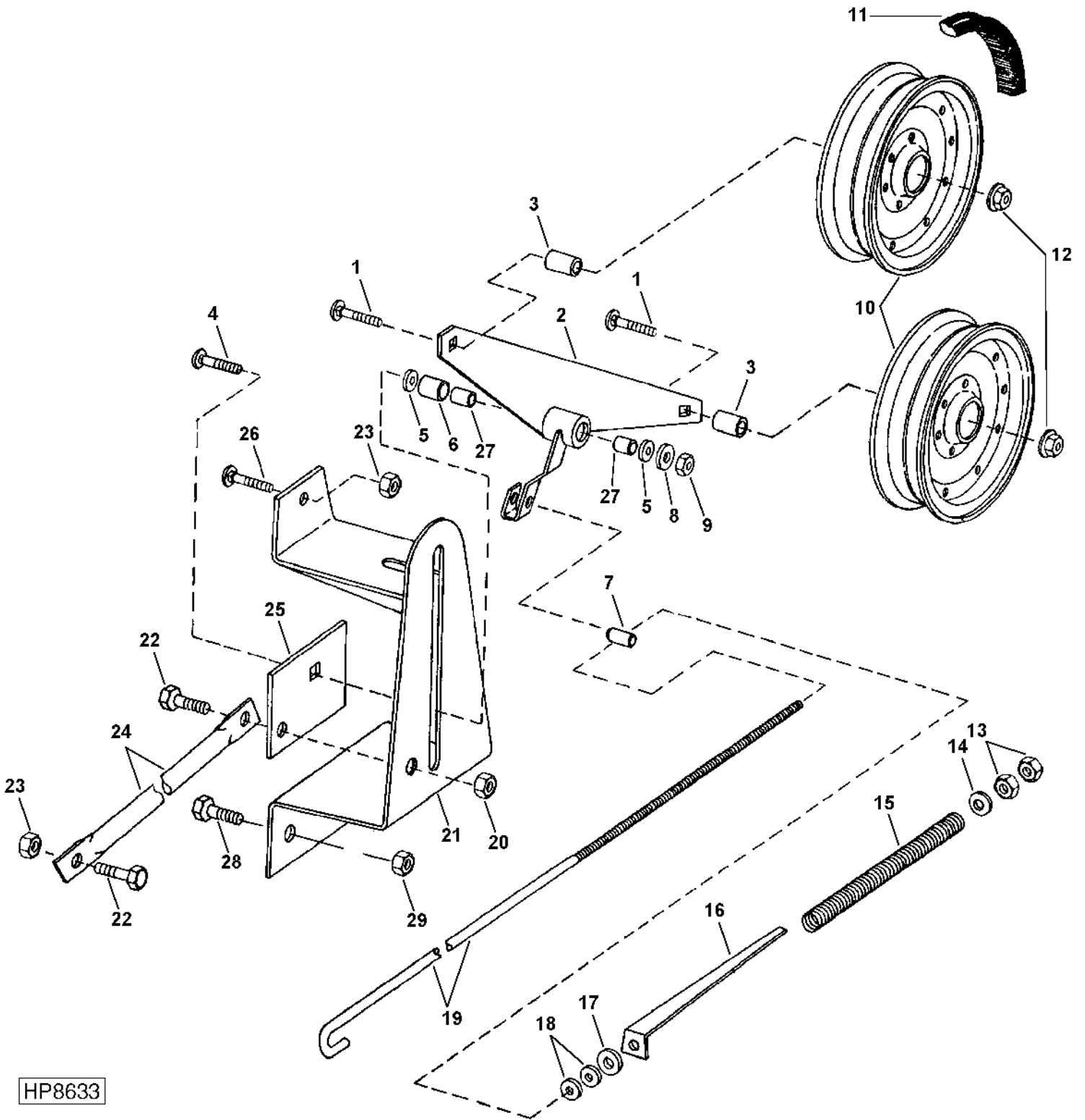
VARIABLE SPEED FEEDER HOUSE DRIVE TIGHTENER - CONTINUED

KEY	PART NO.	PART NAME	QTY	SERIAL NO.	REMARKS
				9 9	
				6 7	
				5 5	
				0 0	
1	19M7828	SCREW	1	X X	M16 X 100
2	03M7198	BOLT	1	X X	M12 X 30
3	19M7789	SCREW	5	X X	M12 X 30
4	14M7299	FLANGE NUT	6	X X	M12
5	AH148136	EYEBOLT	1	X X	REAR
6	14M7277	NUT	2	X X	M20
7	24H1698	WASHER	1	X X	21/32" X 1-5/8" X 1/4"
8	AH166439	IDLER	1	X X	
9	14M7291	FLANGE NUT	1	X X	M16
10	H156850	SPACER	1	X X	
11	AH147476	BRACKET	1	X X	
12	H154792	BRACE	1	X X	FRONT

3C15

FEEDER HOUSE

FIXED SPEED FEEDER HOUSE DRIVE TIGHTENER
HP8633 -UN-14JUN99



HP8633

3C16

FEEDER HOUSE

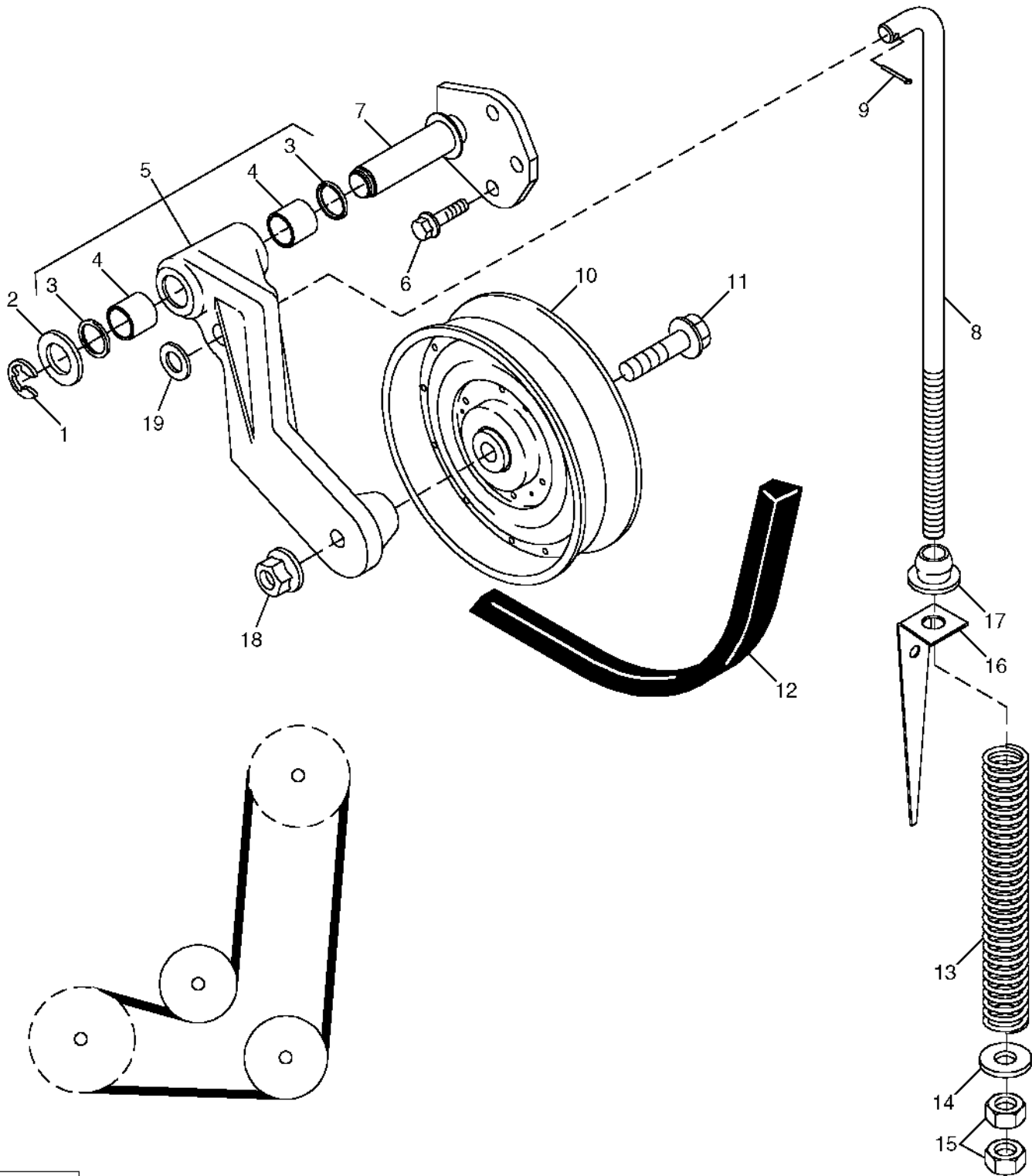
FIXED SPEED FEEDER HOUSE DRIVE TIGHTENER - CONTINUED

KEY	PART NO.	PART NAME	QTY	SERIAL NO.	REMARKS
				9 9	
				6 7	
				5 5	
				0 0	
1	03M7211	BOLT	2	X X	M16 X 70
2	AH97340	ARM	1	X X	
3	L1730N	BUSHING	2	X X	
4	03M7248	BOLT	1	X X	M12 X 90
5	24H1413	WASHER	2	X X	57/64" X 1-3/8" X 0.048"
6	H89297	BUSHING	1	X X	
7	H132825	PIVOT	1	X X	
8	24H1748	WASHER	1	X X	1/2" X 1-1/4" X 0.105"
9	A31867	LOCK NUT	1	X X	
10	AH94450	IDLER	2	X X	
11	H111519	BELT	1	X X	
12	14M7291	FLANGE NUT	2	X X	M16
13	14M7275	NUT	2	X X	M12
14	24H1789	WASHER	1	X X	17/32" X 1-1/4" X 0.105"
15	A25695	SPRING	1	X X	
16	H95499	GAUGE	1	X X	
17	24H1748	WASHER	1	X X	1/2" X 1-1/4" X 0.105"
18	24M7240	WASHER	2	X X	13 X 25 X 3 MM
19	H162675	HOOK BOLT	1	X X	
20	14M7299	FLANGE NUT	1	X X	M12
21	AH147476	BRACKET	1	X X	
22	19M7789	SCREW	2	X X	M12 X 30
23	14M7299	FLANGE NUT	2	X X	M12
24	H154792	BRACE	1	X X	FRONT
25	H126370	REINFORCEMENT	1	X X	
26	03M7198	BOLT	1	X X	M12 X 30
27	H98655	BUSHING	2	X X	
28	19M7789	SCREW	2	X X	M12 X 30
29	14M7299	FLANGE NUT	2	X X	M12

3C17

FEEDER HOUSE

FEEDER HOUSE DRIVE TIGHTENER
HP9479 -UN-23FEB00



HP9479

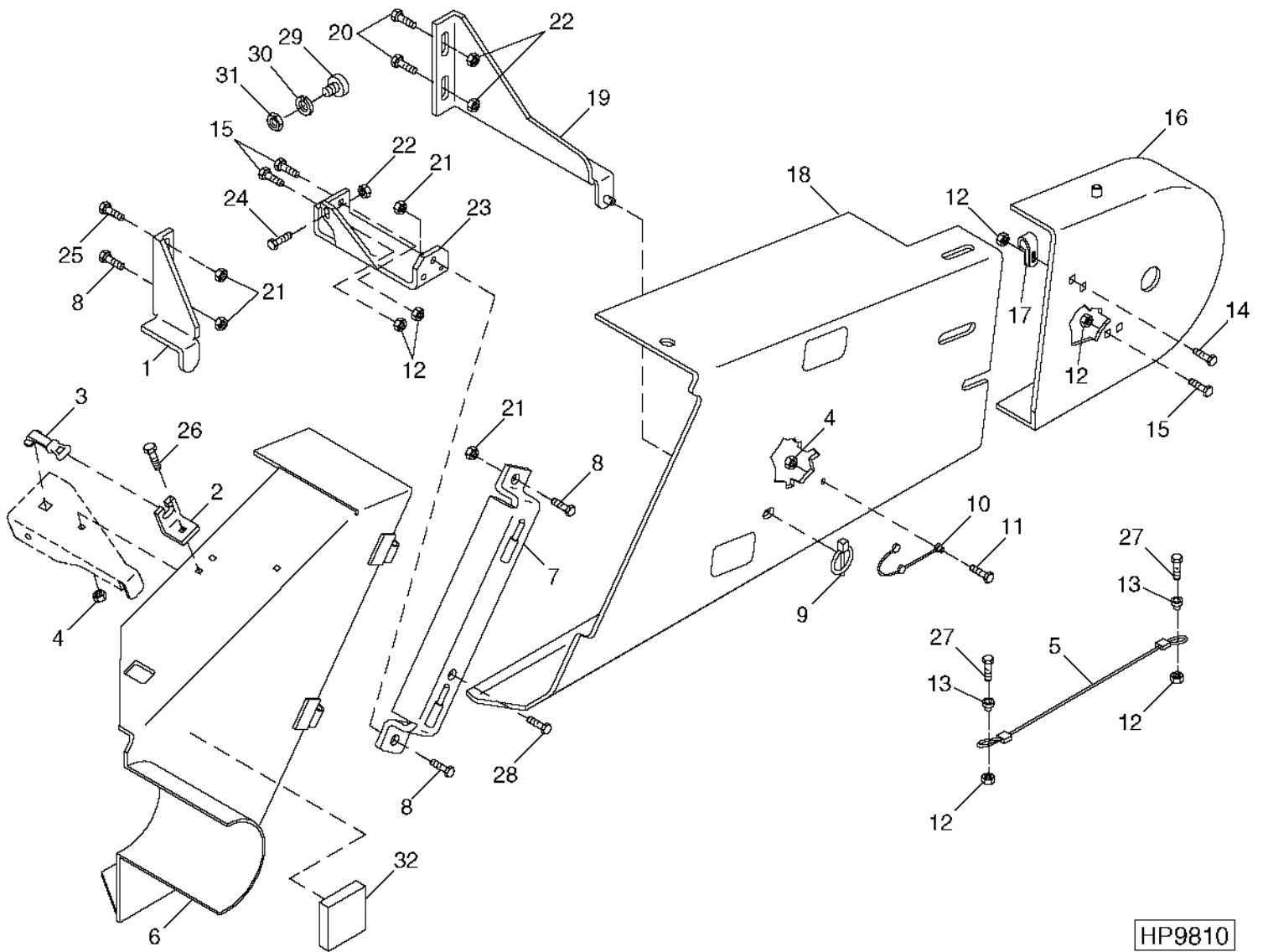
FEEDER HOUSE DRIVE TIGHTENER - CONTINUED

KEY	PART NO.	PART NAME	QTY	SERIAL NO.	REMARKS
				9 9	
				6 7	
				5 5	
				0 0	
1	P46402	SNAP RING	1	X X	
2	24M7091	WASHER	1	X X	26 X 44 X 4 MM
3	AA5607R	SEAL	2	X X	
4	H99147	BUSHING	2	X X	(SUB H171061)
	H171061	BEARING	2	X X	
5	AH168397	ARM	1	X X	(SUB FOR AH156843 AND H163557)
6	19M7784	SCREW	3	X X	M10 X 20
7	AH156051	SPRING PIN	1	X X	
8	H160734	HOOK BOLT	1	X X	
9	11M7028	COTTER PIN	1	X X	5 X 32 MM
10	AH166439	IDLER	1	X X	
11	19M7824	SCREW	1	X X	M16 X 60
12	H156796	BELT	1	X X	STANDARD CAPACITY AND FIXED SPEED DRIVE
	H156541	BELT	1	X X	HI CAPACITY
13	N61654	SPRING	1	X X	
14	24H1373	WASHER	1	X X	21/32" X 1-9/16" X 0.180"
15	14M7276	NUT	2	X X	M16
16	H116862	GAUGE	1	X X	
17	H129208	PIVOT	1	X X	
18	14M7291	FLANGE NUT	1	X X	M16
19	24M7053	WASHER	1	X X	17 X 30 X 3 MM

3C19

FEEDER HOUSE

L.H. DRIVE SHIELDS
HP9810 -UN-15JUN00



HP9810

3C20

FEEDER HOUSE

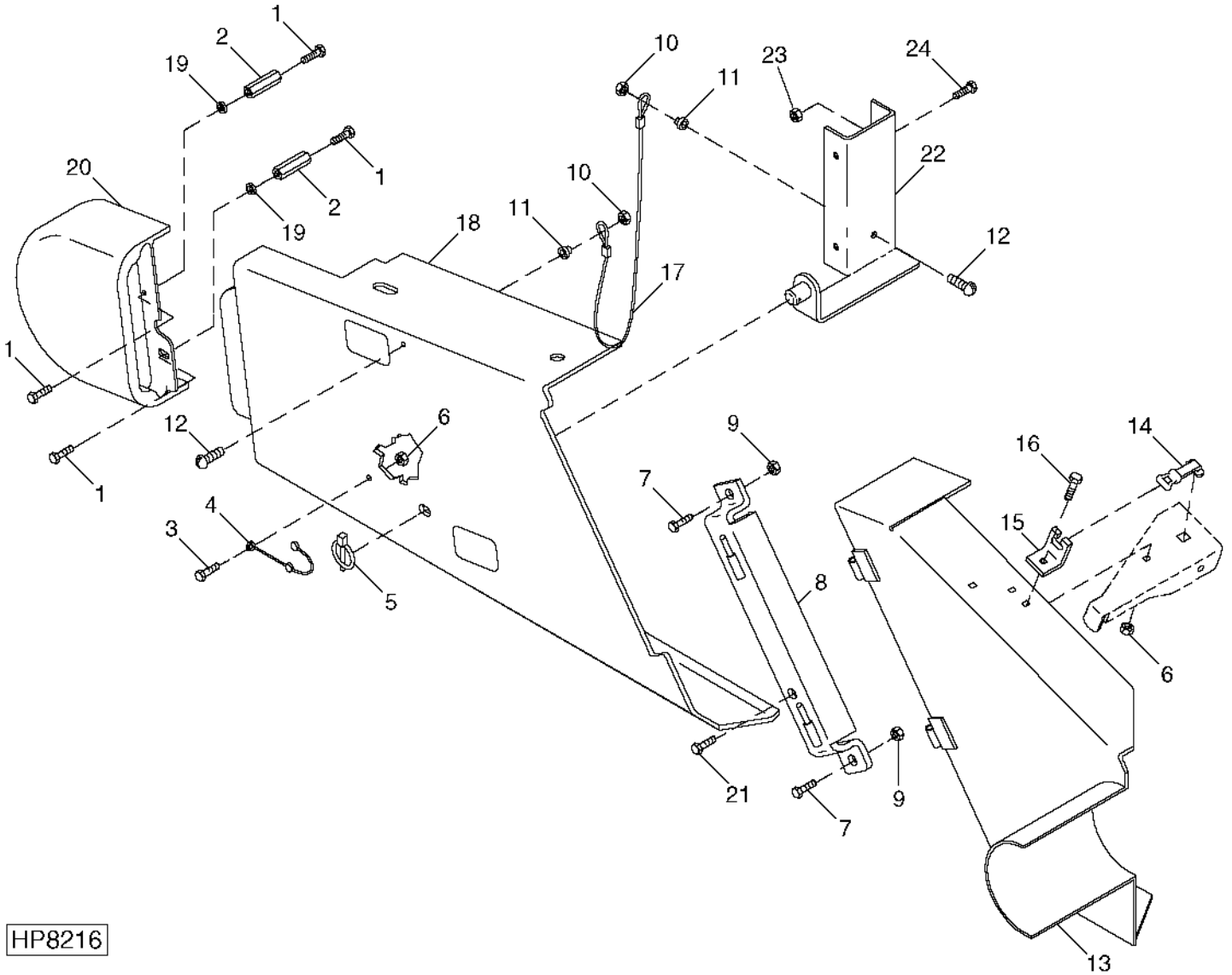
L.H. DRIVE SHIELDS - CONTINUED

KEY	PART NO.	PART NAME	QTY	SERIAL NO.	REMARKS
				9 9	
				6 7	
				5 5	
				0 0	
1	H167451	SUPPORT	1	X X	
2	H141549	CLAMP	1	X X	
3	A44990	LATCH	1	X X	
4	14M7303	FLANGE NUT	2	X X	M6
5	AH134121	CABLE	1	X X	
6	AH161059	SHIELD	1	X X	
7	AH160798	SUPPORT	1	X X	
8	19M7788	SCREW	3	X X	M12 X 25
9	M72598	QUICK LOCK PIN	1	X X	
10	H167815	STRAP	1	X X	
11	21M7246	SCREW	1	X X	M6 X 16
12	14M7298	FLANGE NUT	6	X X	M8
13	M93425	SPACER	2	X X	
14	03M7185	BOLT	1	X X	M8 X 25
15	03M7184	BOLT	3	X X	M8 X 20
16	AH162340	SHIELD	1	X X	
17	R46414	CLAMP	1	X X	
18	H167648	SHIELD	1	X X	
19	AH160799	SUPPORT	1	X X	
20	03M7190	BOLT	2	X X	M10 X 20
21	14M7299	FLANGE NUT	4	X X	M12
22	14M7296	FLANGE NUT	3	X X	M10
23	H162401	BRACKET	1	X X	
24	19M7785	SCREW	1	X X	M10 X 25
25	19M7789	SCREW	1	X X	M12 X 30
26	03M7251	BOLT	1	X X	M6 X 12
27	21M7125	SCREW	2	X X	M8 X 25
28	37M7089	SCREW	1	X X	M6 X 12
29	57M7766	INSULATING CAPSULE	1	X X	
30	57M7765	LOCK WASHER	1	X X	
31	E73240	NUT	1	X X	
32	H119187	PAD	1	X X	

3C21

FEEDER HOUSE

R.H. DRIVE SHIELDS
HP8216 -UN-01JUL99



HP8216

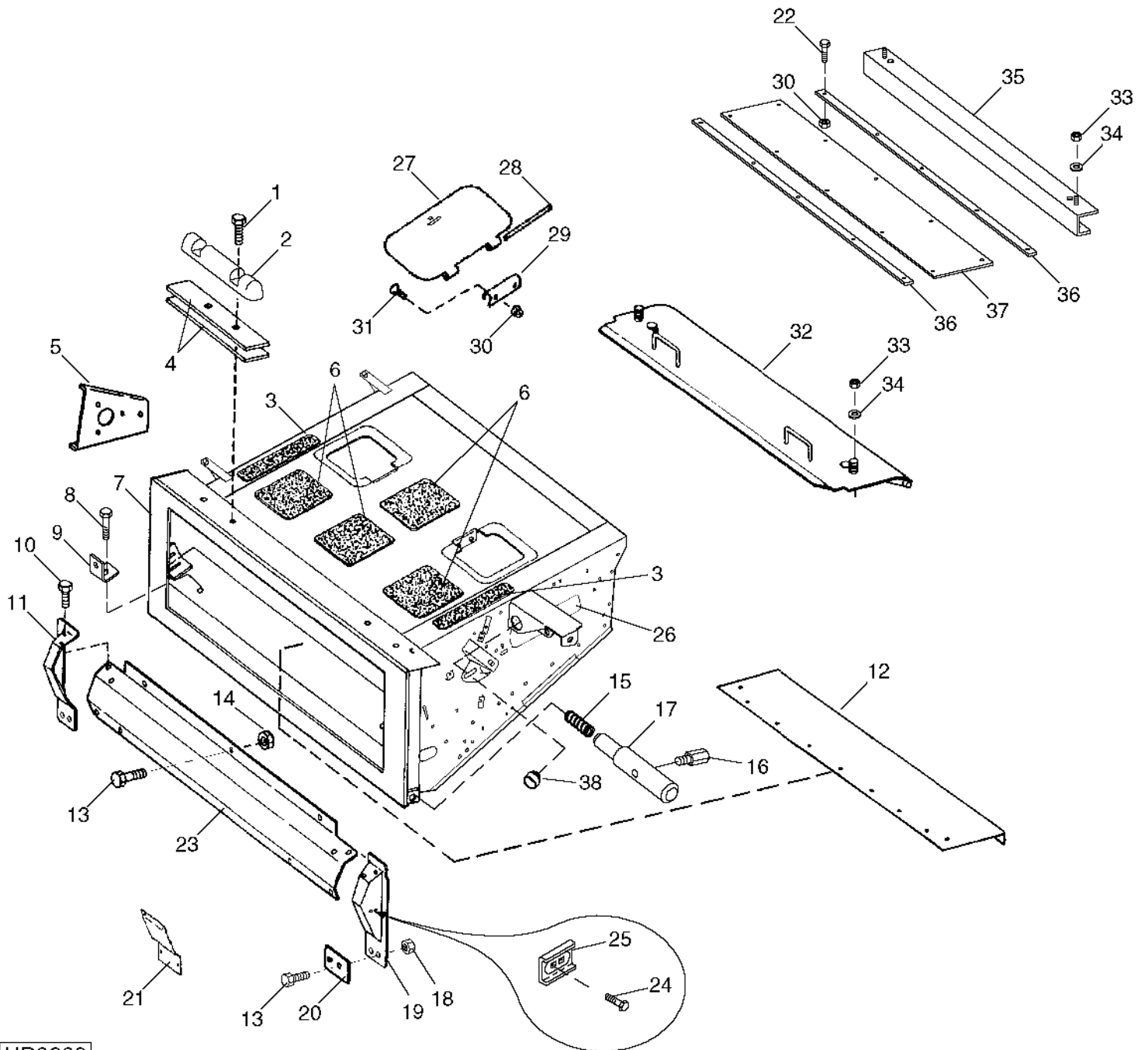
R.H. DRIVE SHIELDS - CONTINUED

KEY	PART NO.	PART NAME	QTY	SERIAL NO.	REMARKS
				9 9	
				6 7	
				5 5	
				0 0	
1	19M7785	SCREW	4	X X	M10 X 25
2	H143489	BUSHING	2	X X	
3	21M7246	SCREW	1	X X	M6 X 16
4	H167815	STRAP	1	X X	
5	M72598	QUICK LOCK PIN	1	X X	
6	14M7303	FLANGE NUT	2	X X	M6
7	19M7788	SCREW	2	X X	M12 X 25
8	AH160798	SUPPORT	1	X X	
9	14M7299	FLANGE NUT	2	X X	M12
10	14M7298	FLANGE NUT	2	X X	M8
11	M93425	SPACER	2	X X	
12	21M7125	SCREW	2	X X	M8 X 25
13	AH161058	SHIELD	1	X X	
14	A44990	LATCH	1	X X	
15	H141549	CLAMP	1	X X	
16	03M7251	BOLT	1	X X	M6 X 12
17	AH134121	CABLE	1	X X	
18	H167647	SHIELD	1	X X	
19	24H1311	WASHER	2	X X	13/32" X 1-1/4" X 0.220"
20	H146766	POWERSHAFT SHIELD	1	X X	
21	37M7089	SCREW	1	X X	M6 X 12
22	AH136358	RETAINER	1	X X	
23	14M7296	FLANGE NUT	2	X X	M10
24	03M7190	BOLT	2	X X	M10 X 20

3C23

FEEDER HOUSE

FEEDER HOUSE FRAME
HP9690 -UN-14APR00



HP9690

3C24

FEEDER HOUSE FRAME - CONTINUED

KEY	PART NO.	PART NAME	QTY	SERIAL NO.	9 9 6 7 5 5 0 0	REMARKS
1	19M7814	SCREW	4	-XXXXXX	X X	M12 X 50
	19M7824	SCREW	4	XXXXXX-	X X	M16 X 60
2	H159975	BLOCK CLAMP	2	-XXXXXX	X X	
	H175547	SUPPORT	2	XXXXXX-	X X	
3	H136013	MAT	1		X X	
4	H175703	SHIM	4		X X	(SUB FOR H133843)
5	H141835	REINFORCEMENT	2		X X	
6	H136015	MAT	4		X X	
7	AH169502	FRAME	1		X X	(SUB FOR AH147794)
8	03M7192	BOLT	4		X X	M10 X 30
9	H144063	ANGLE	2		X X	
10	03M7190	BOLT	1		X X	M10 X 20
11	H159533	DEFLECTOR	1		X X	
12	H144052	WEAR PLATE	1		X X	
13	19M7784	SCREW	13		X X	M10 X 20
14	14M7296	FLANGE NUT	6		X X	M10
15	124424	SPRING	2		X X	
16	H134140	BOLT	2		X X	
17	H130826	PIN	2		X X	
18	14M7296	FLANGE NUT	4		X X	M10
19	H159534	DEFLECTOR	1		X X	
20	H143407	WEAR PLATE	2		X X	
21	H123638	EXTENSION	2		X X	RICE OPTION
22	19M7866	SCREW	12		X X	M8 X 20
23	H123633	SHIELD	1		X X	
24	03M7184	BOLT	4		X X	M8 X 20
25	H158951	STRIPPER	2		X X	
26	H149063	LABEL	2		X X	
27	H152062	DOOR	1		X X	
28	PIN	1		X X	6.88", (MAKE FROM H76083)
29	H133989	HINGE	1		X X	
30	14M7298	FLANGE NUT	14		X X	M8
31	03M7183	BOLT	1		X X	M8 X 16
32	AH155394	DOOR	1		X X	
33	14M7401	LOCK NUT	4		X X	M12
34	24M7047	WASHER	4		X X	13 X 24 X 2.500 MM
35	AH160360	CHANNEL	1		X X	
36	H162025	REINFORCEMENT	2		X X	
37	H158609	SEAL	1		X X	
38	H173451	CAP	1		X X	

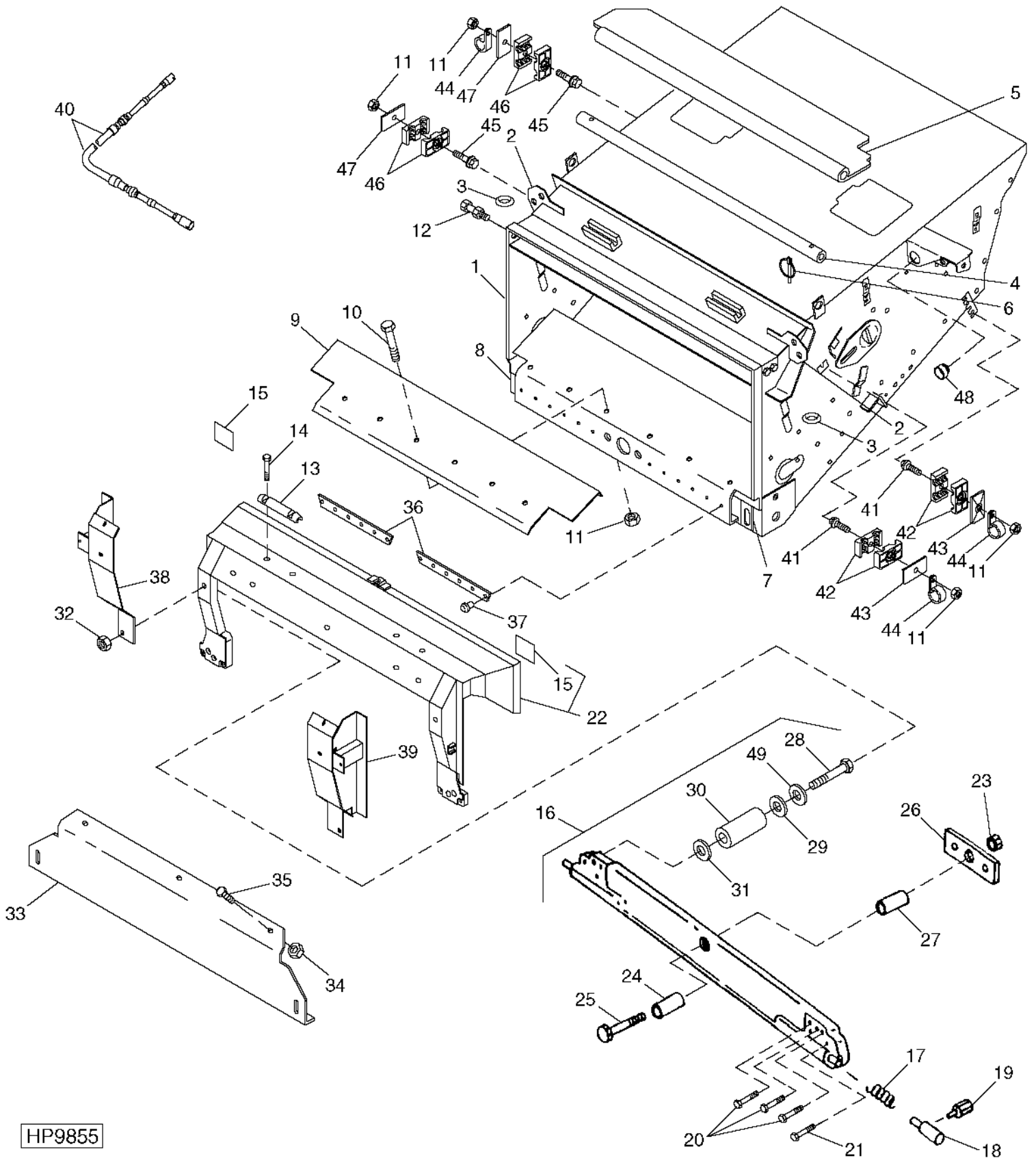
S.N. 9650(-686329)(686330-)
 S.N. 9750(-686210)(686211-)

3D1

FEEDER HOUSE

FEEDER HOUSE SHELL, WEAR PLATES AND SEALS - CONTOUR MASTER

HP9855 -UN-12JUN00



HP9855

3D2

FEEDER HOUSE

FEEDER HOUSE SHELL, WEAR PLATES AND SEALS - CONTOUR MASTER - CONTINUED

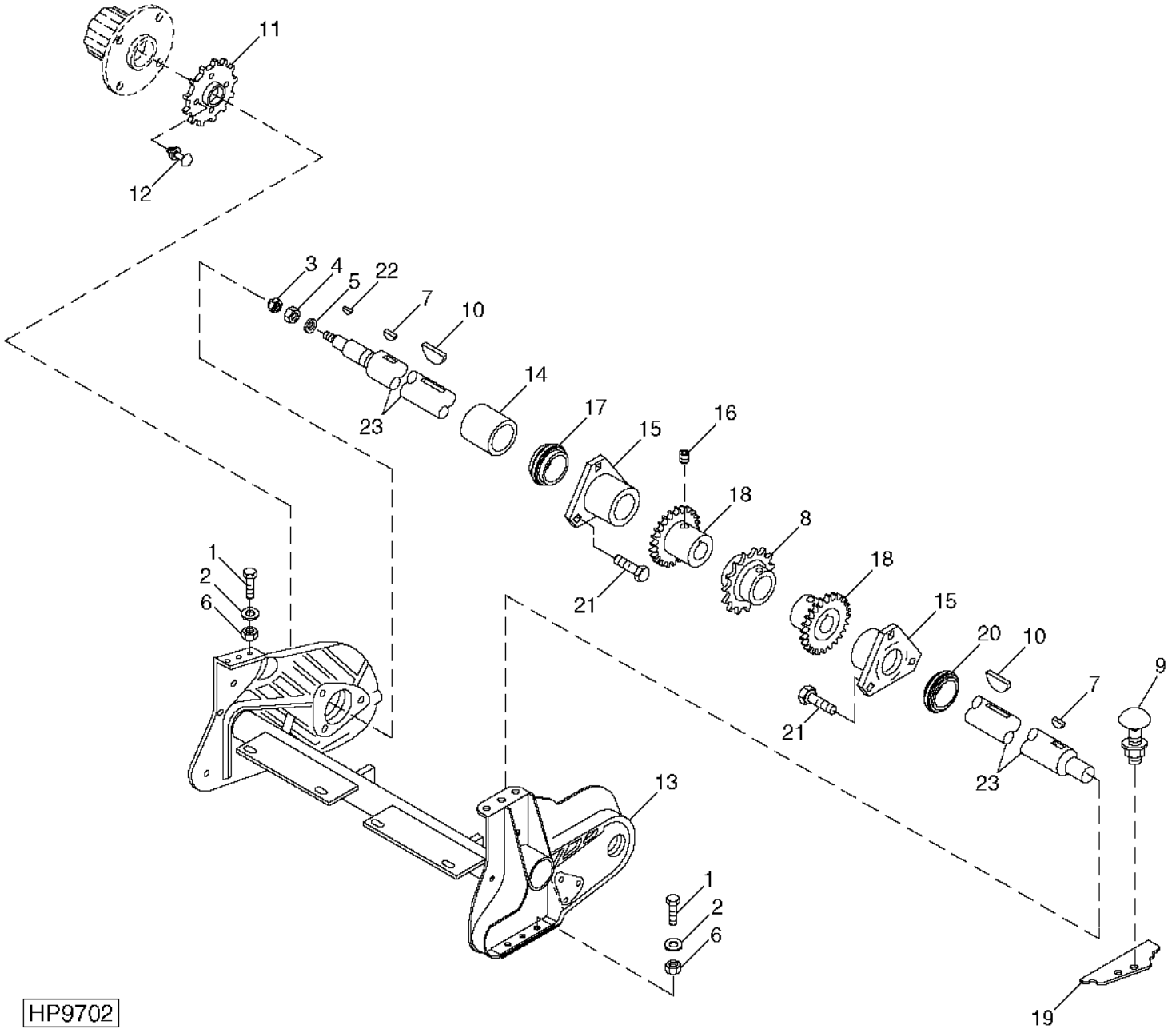
KEY	PART NO.	PART NAME	QTY	SERIAL NO.	REMARKS
				9 9	
				6 7	
				5 5	
				0 0	
1	AH149685	FRAME	1	X X	
2	H149461	WEAR PLATE	2	X X	
3	R495R	O-RING	2	X X	(USE WITH H149461)
4	H144825	PIPE	1	X X	
5	H148998	SEAL	1	X X	
6	M72598	QUICK LOCK PIN	2	X X	
7	H149459	WEAR PLATE	1	X X	L.H. LOWER
8	H149460	WEAR PLATE	1	X X	R.H. LOWER
9	H157112	PLATE	1	X X	
10	03M7184	BOLT	6	X X	M8 X 20
11	14M7298	FLANGE NUT	11	X X	M8
12	19M7790	SCREW	4	X X	M12 X 35
	14M7299	FLANGE NUT	4	X X	M12
13	H159975	BLOCK CLAMP	2	-XXXXXX	X X
	H175547	SUPPORT	2	XXXXXX-	X X
14	19M7844	SCREW	4	-XXXXXX	X X
	19M7844	SCREW	4	XXXXXX-	X X
15	H151607	SIGN	4	X X	"CAUTION" HEADER TILT
16	AH162724	FRAME	1	X X	
17	124424	SPRING	2	X X	
18	H130040	PIN	2	X X	
19	H149523	BOLT	2	X X	
20	19M7844	SCREW	6	X X	M16 X 45, (USE LOCTITE)
21	19M7815	SCREW	2	X X	M12 X 60, (USE LOCTITE)
22	AH145281	FRAME	1	-XXXXXX	X X
	AH169869	ASSEMBLY LINE PARTS	1	XXXXXX-	X X
23	14M7300	FLANGE NUT	1	X X	M20
24	H142870	BUSHING	1	X X	
25	19M7921	CAP SCREW	1	X X	M20 X 150
26	H149518	STRAP	1	X X	
27	H149517	PIN	1	X X	
28	19M7820	SCREW	2	X X	M12 X 100
29	E81185	WASHER	2	X X	
30	28H3320	BUSHING	2	X X	0.546" X 0.840" X 1-3/16"
31	24H1252	WASHER	2	X X	1/2" X 1-1/2" X 0.060"
32	14M7299	FLANGE NUT	2	X X	M12
33	H142869	WEATHER ENCLOSURE	1	X X	
34	H135891	LOCK NUT	7	X X	
35	19M7784	SCREW	7	X X	M10 X 20
36	H162410	STRIP	2	X X	
37	M64720	RIVET	14	X X	
38	AH143362	SHIELD	1	X X	
39	AH143361	SHIELD	1	X X	
40	AH162586	CABLE	1	X X	
41	19M7801	SCREW	2	X X	M8 X 60
42	H135156	CLAMP	4	X X	
43	H121168	PLATE	2	X X	
44	T27523	CLAMP	3	X X	
45	19M7803	SCREW	2	X X	M8 X 70
46	H135155	CLAMP	4	X X	
47	H112567	PLATE	2	X X	
48	H173451	CAP	1	X X	
49	24M7240	WASHER	2	X X	13 X 25 X 3 MM

S.N. 9650(-686329)(686330-)
 S.N. 9750(-686210)(686211-)

3D3

FEEDER HOUSE

FEEDER HOUSE UPPER SHAFT AND SLIP CLUTCH HP9702 -UN-13APR00



HP9702

3D4

FEEDER HOUSE

FEEDER HOUSE UPPER SHAFT - CONTINUED

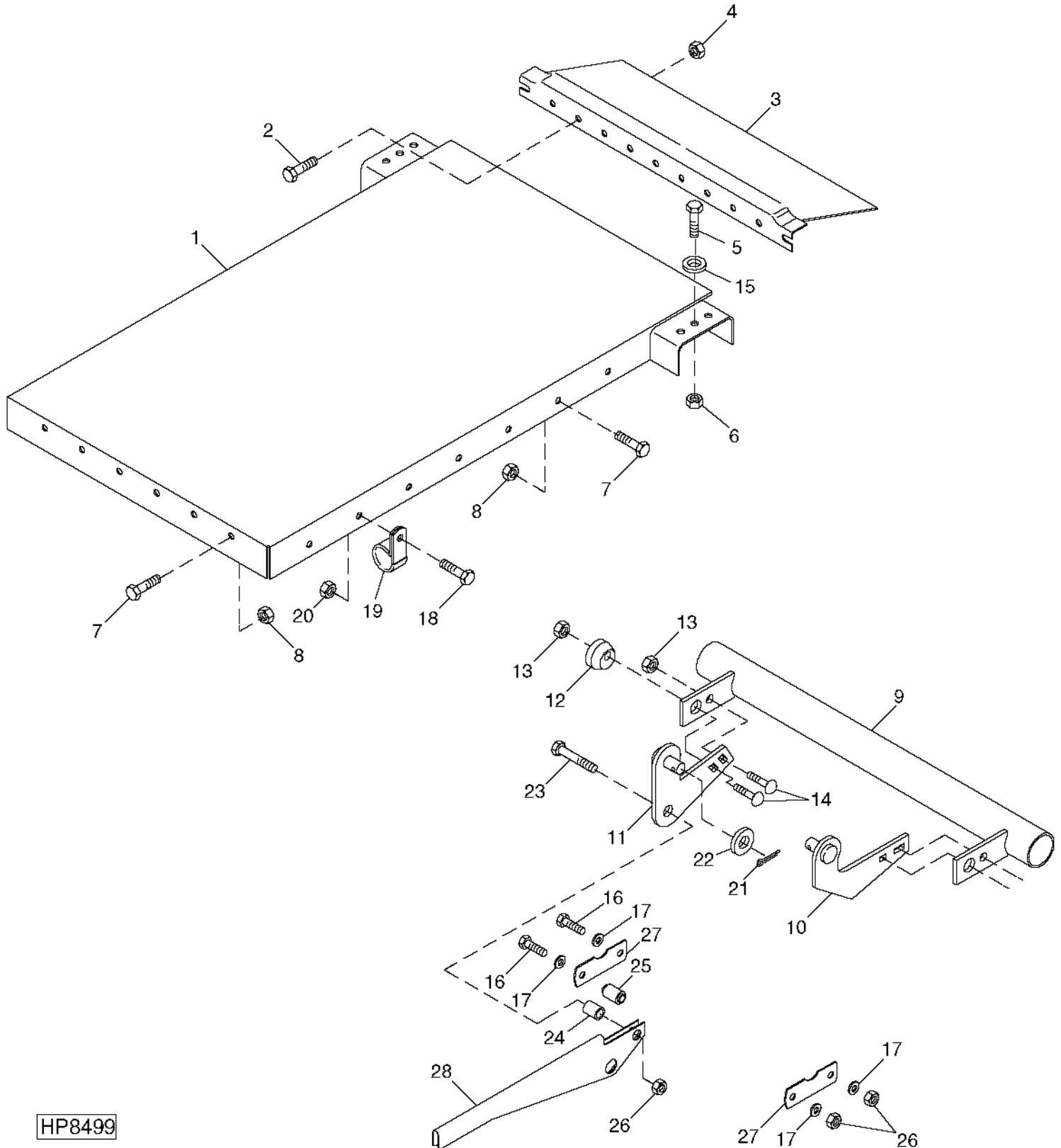
KEY	PART NO.	PART NAME	QTY	SERIAL NO.	REMARKS
				9 9	
				6 7	
				5 5	
				0 0	
1	19M8002	CAP SCREW	12	X X	M20 X 55
2	24M7242	WASHER	12	X X	21.400 X 42 X 5 MM
3	A31871	LOCK NUT	1	X X	
4	14M7278	NUT	1	X X	M24
5	R90521	WASHER	1	X X	
6	14M7300	FLANGE NUT	12	X X	M20
7	H156578	SHAFT KEY	2	X X	
8	H159616	CHAIN SPROCKET	1	X X	
9	03M7191	BOLT	4	X X	M10 X 25
	14M7296	FLANGE NUT	4	X X	M10
10	H156579	SHAFT KEY	2	X X	
11	H119709	CHAIN SPROCKET	1	X X	
12	03M7200	BOLT	4	X X	M12 X 40
	14M7299	FLANGE NUT	4	X X	M12
13	AH167128	TUBE	1	X X	(SUB FOR AH146334)
14	H143354	SPACER	1	X X	
15	H147593	HOUSING	2	X X	
16	H156580	SET SCREW	8	X X	M12 X 16
17	JD10020	BALL BEARING	1	X X	
18	H159615	CHAIN SPROCKET	2	X X	
19	H147482	BRACKET	2	X X	
20	JD9373	BALL BEARING	1	X X	
21	19M7789	SCREW	6	X X	M12 X 30
22	26H103	SHAFT KEY	1	X X	1/4" X 2-1/8"
23	H156576	SHAFT	1	X X	

3D5

FEEDER HOUSE

FEEDER HOUSE FLOOR AND LATCH HANDLE

HP8499 -UN-13JUL99



HP8499

3D6

FEEDER HOUSE

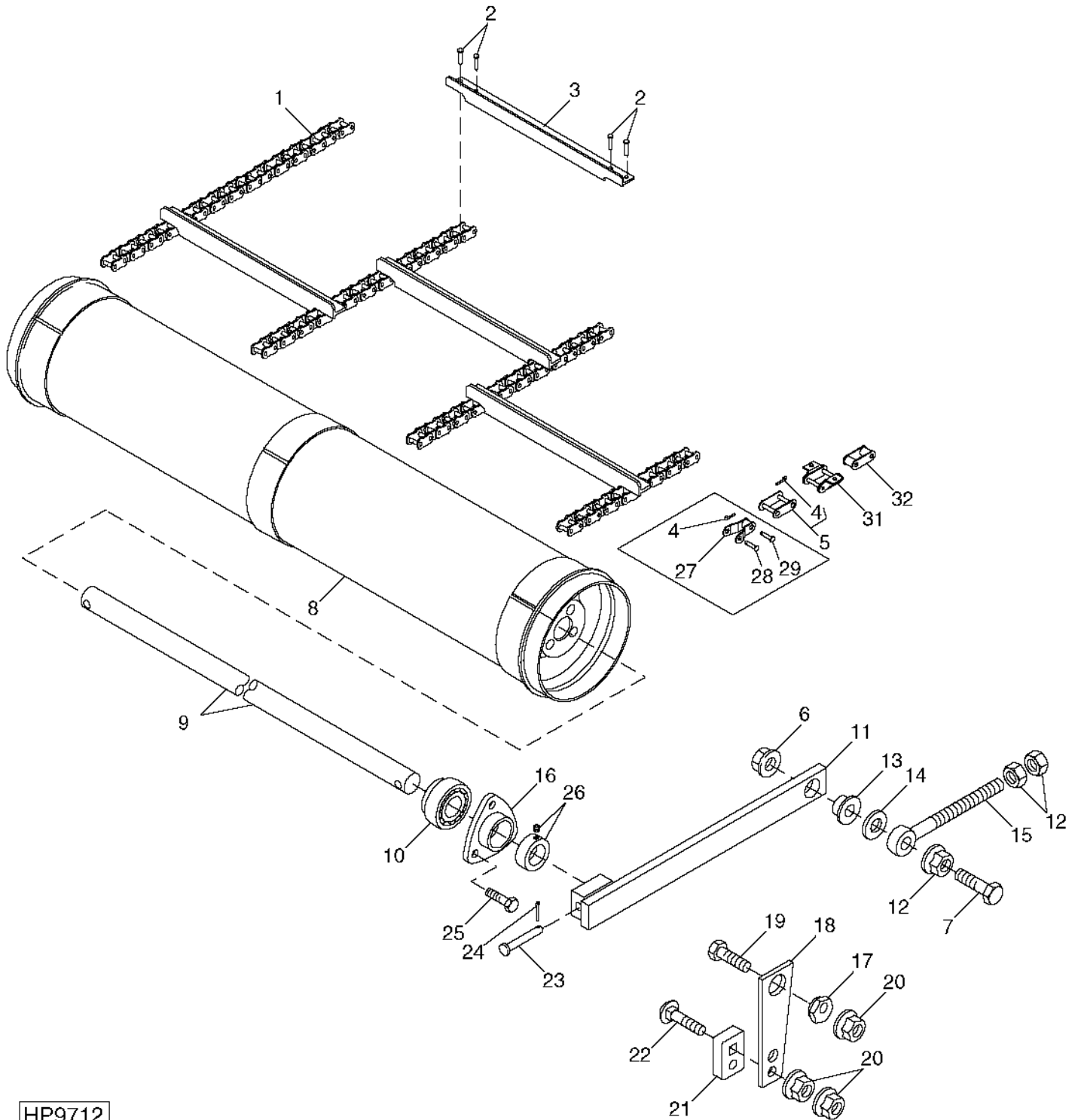
FEEDER HOUSE FLOOR AND LATCH HANDLE - CONTINUED

KEY	PART NO.	PART NAME	QTY	SERIAL NO.	REMARKS
				9 9	
				6 7	
				5 5	
				0 0	
1	AH147800	FLOOR	1	X X	
2	03M7190	BOLT	10	X X	M10 X 20
3	H173904	SEAL	1	X X	(SUB FOR H170737)
4	14M7296	FLANGE NUT	10	X X	M10
5	19M8002	CAP SCREW	6	X X	M20 X 55
6	14M7300	FLANGE NUT	6	X X	M20
7	19M7789	SCREW	18	X X	M12 X 30
8	14M7299	FLANGE NUT	18	X X	M12
9	AH165618	SUPPORT	1	X X	
10	AH147475	ARM	1	X X	L.H.
11	AH147474	ARM	1	X X	R.H.
12	H97322	CAM	2	X X	
13	14M7299	FLANGE NUT	4	X X	M12
14	19M7790	SCREW	4	X X	M12 X 35
15	24M7242	WASHER	6	X X	21.400 X 42 X 5 MM
16	19M8318	SCREW	2	X X	M8 X 45
17	24M7207	WASHER	4	X X	8.400 X 24 X 2 MM
18	19M7784	SCREW	2	X X	M10 X 20
19	AH77279	CLIP	1	X X	
20	14M7296	FLANGE NUT	2	X X	M10
21	11M7028	COTTER PIN	2	X X	5 X 32 MM
22	24M7053	WASHER	2	X X	17 X 30 X 3 MM
23	19M8291	SCREW	1	X X	M8 X 35
24	H133060	SLEEVE	1	X X	
25	H132988	BUSHING	1	X X	
26	14M7396	LOCK NUT	3	X X	M8
27	H136144	ADJUSTING STRAP	2	X X	
28	H132986	HANDLE	1	X X	

3D7

FEEDER HOUSE

FEEDER CONVEYOR IDLER SHAFT, DRUM AND CHAIN HP9712 -UN-26APR00



HP9712

FEEDER CONVEYOR IDLER SHAFT, DRUM AND CHAIN - CONTINUED

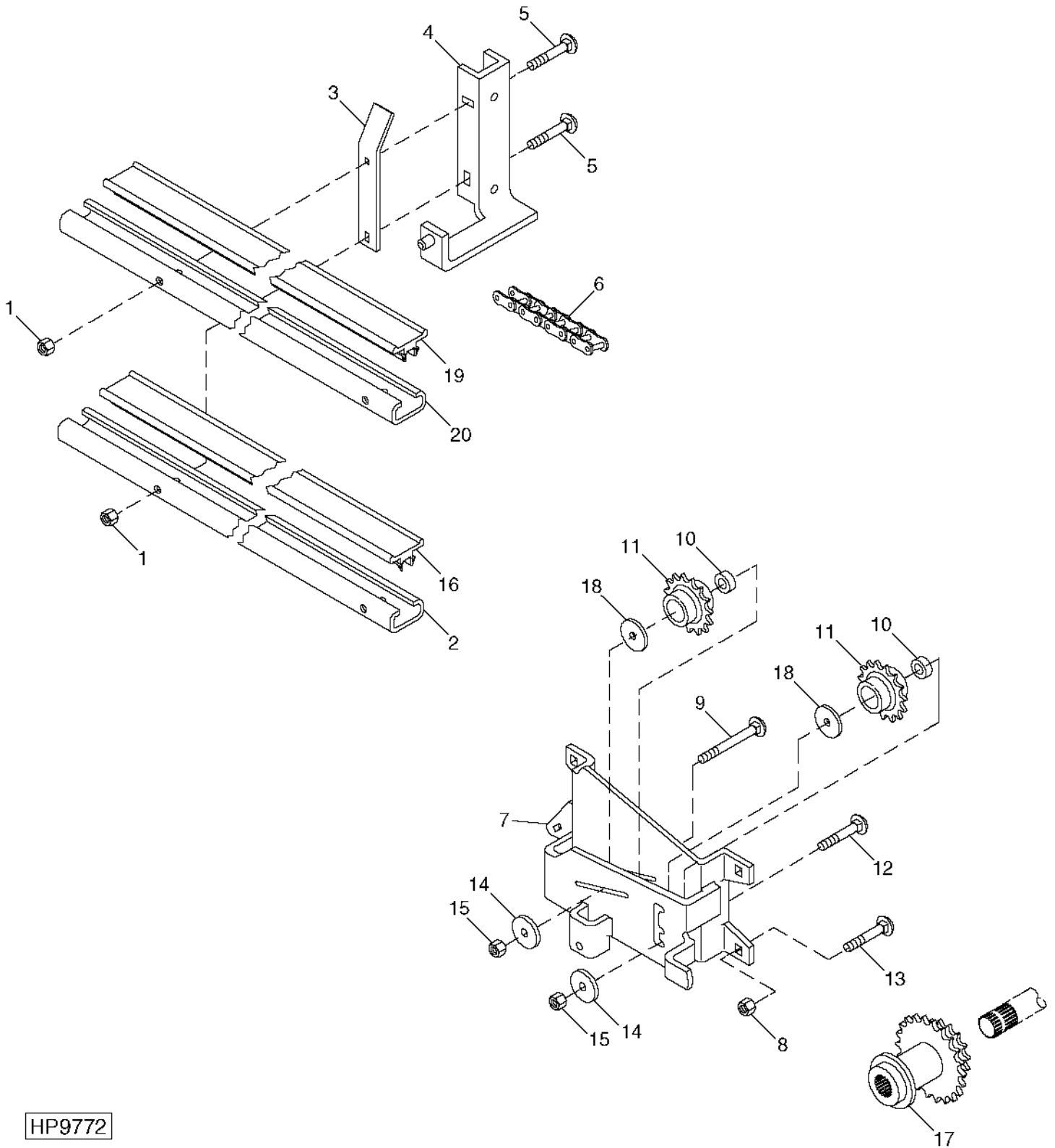
KEY	PART NO.	PART NAME	QTY	SERIAL NO.	REMARKS
				9 9	
				6 7	
				5 5	
				0 0	
1	AH148102	LINK CHAIN	1	X X	(34 SLAT)
2	16H1083	RIVET	296	X X	5/16" X 5/8"
3	H134002	SLAT	AR	X X	
4	H84026	HOOK	8	X X	
5	AH137630	CHAIN LINK	4	X X	
6	W39621	NUT	2	X X	
7	19M7399	CAP SCREW	2	X X	M16 X 85
8	AH142394	DRUM	1	X X	
9	H123734	SHAFT	1	X X	
10	JD8552	BALL BEARING	2	X X	
11	AH126091	ARM	2	X X	
12	14M7291	FLANGE NUT	6	X X	M16
13	H131087	BUSHING	2	X X	
14	24H1368	WASHER	2	X X	21/32" X 1-5/16" X 0.090"
15	H131088	EYEBOLT	2	X X	
16	H138753	HOUSING	2	X X	
17	H97322	CAM	2	X X	
18	H84942	PLATE	2	X X	
19	H139098	BOLT	2	X X	
20	14M7299	FLANGE NUT	6	X X	M12
21	H144201	ADJUSTING STRAP	2	X X	
22	H154331	BOLT	2	X X	
23	45M7040	PIN	2	X X	10 X 60 MM
24	11M7059	COTTER PIN	2	X X	3.200 X 20 MM
25	19M7790	SCREW	6	X X	M12 X 35
26	JD8551	ECCENTRIC LOCKING COLLAR	2	X X	
27	LINK	1	X X	
28	PIN	1	X X	
29	PIN	1	X X	
30	AH137631	CHAIN LINK	1	X X	
31	AH158328	LINK	1	X X	
32	AH158635	CHAIN LINK	1	X X	

3D9

FEEDER HOUSE

FEEDER CONVEYOR DRIVE CHAIN AND IDLER BRACKET

HP9772 -UN-24MAY00



HP9772

3D10

FEEDER HOUSE

FEEDER CONVEYOR DRIVE CHAIN AND IDLER BRACKET - CONTINUED

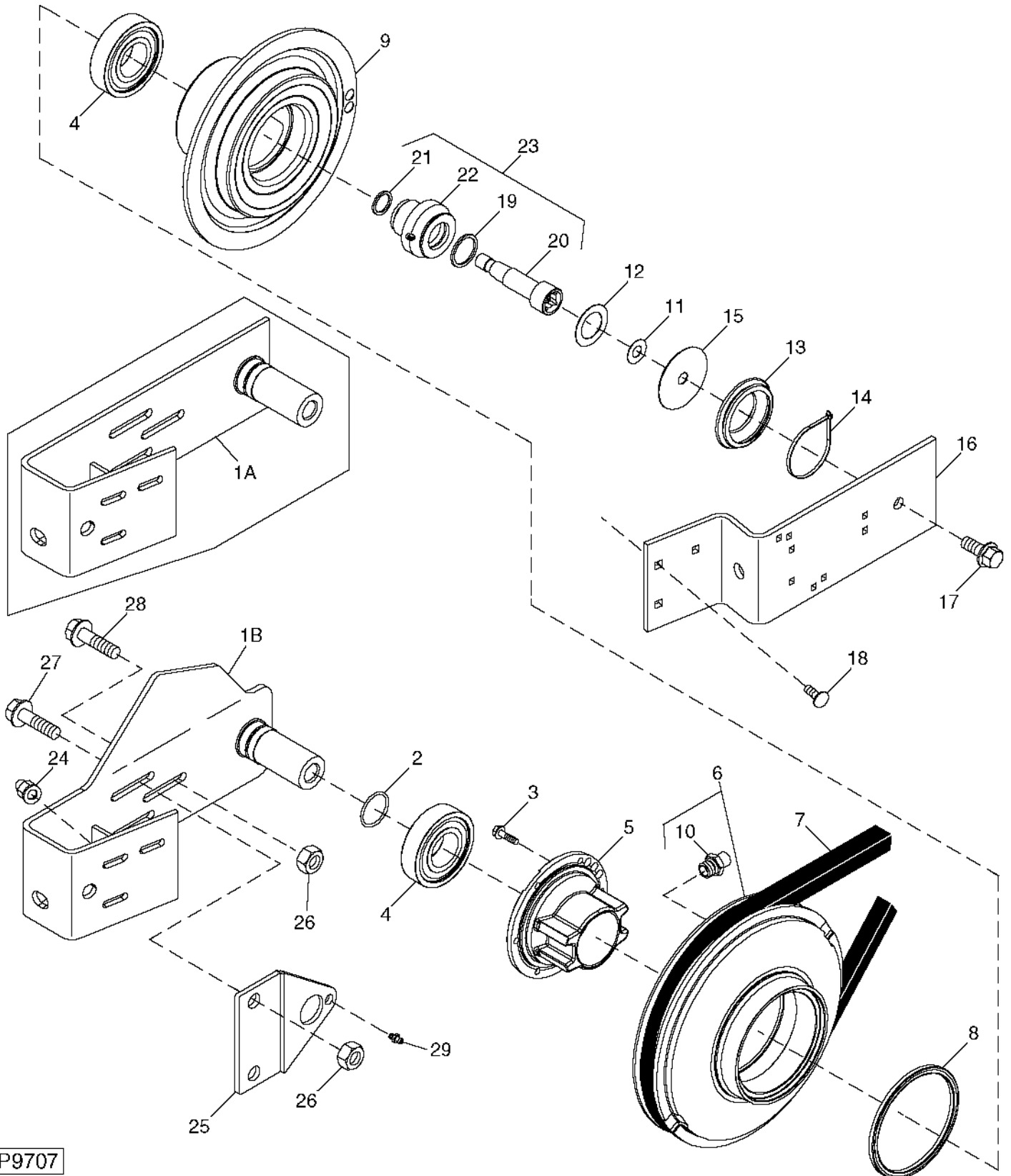
KEY	PART NO.	PART NAME	QTY	SERIAL NO.	REMARKS
				9 9	
				6 7	
				5 5	
				0 0	
1	14M7400	LOCK NUT	4	X X	M10
2	H172471	SUPPORT	1	X X	656MM
3	H162320	PLATE	1	X X	
4	AH160796	BRACKET	1	X X	
5	03M7233	BOLT	4	X X	M10 X 70
6	AH148112	LINK CHAIN	1	X X	ROLLER, TYPE 60, 19MM (3/4") 195 LINKS, (ASSEMBLE FROM AB1288H AND AB1289H)
7	AH155666	BRACKET	1	X X	
8	14M7299	FLANGE NUT	4	X X	M12
9	03M7211	BOLT	1	X X	M16 X 70
10	H84374	BUSHING	2	X X	
11	AE27909	CHAIN SPROCKET	2	X X	
12	19M7826	SCREW	1	X X	M16 X 70
13	03M7197	BOLT	4	X X	M12 X 25
14	24M7103	WASHER	2	X X	17.500 X 56 X 5 MM
15	14M7291	FLANGE NUT	2	X X	M16
16	H172474	GUIDE	1	X X	656MM
17	AH149349	DRIVE SPROCKET	1	X X	
18	H129716	WASHER	2	X X	
19	H172475	GUIDE	1	X X	357MM
20	H172472	SUPPORT	1	X X	357MM

3D11

FEEDER HOUSE

VARIABLE DRIVE UPPER COUNTERSHAFT, SHEAVES AND SUPPORTS

HP9707 -UN-20APR00



HP9707

3D12

FEEDER HOUSE

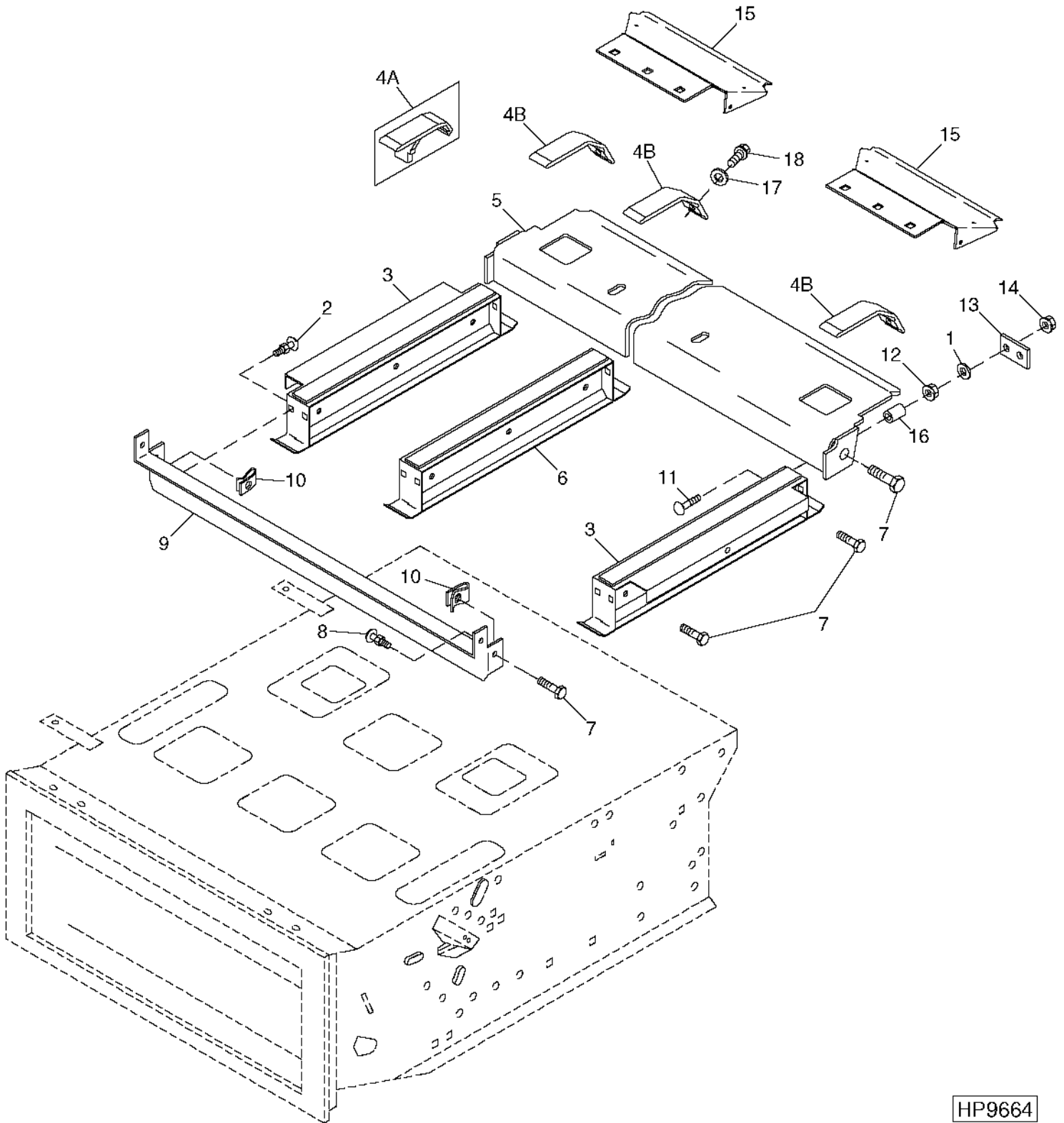
VARIABLE DRIVE UPPER COUNTERSHAFT, SHEAVES AND SUPPORTS - CONTINUED

KEY	PART NO.	PART NAME	QTY	SERIAL NO.	REMARKS
				9 9	
				6 7	
				5 5	
				0 0	
1A	AH162787	STRAP	1	X X	(SUB AH167579)
1B	AH167579	STRAP	1	X X	
2	R31378	O-RING	1	X X	
3	19M7867	SCREW	6	X X	M8 X 25
4	JD10018	BEARING	2	X X	
5	H97378	HUB	1	X X	
6	AH165220	SHEAVE	1	X	360 MM (14-15/64") DIA. (STANDARD CAPACITY)
	AH165221	SHEAVE	1	X X	380 MM (14-61/64") DIA. (HIGH CAPACITY)
7	H156796	BELT	1	X X	(STANDARD CAPACITY AND FIXED SPEED DRIVE)
	H156541	BELT	1	X X	(HI CAPACITY)
8	AH136497	SEAL	1	X X	
9	H160869	HALF SHEAVE	1	X X	318 MM (12-35/64") DIA. (STANDARD CAPACITY)
	H158578	SHEAVE	1	X X	380 MM (14-61/64") DIA. (HIGH CAPACITY)
10	JD7759	LUBRICATION FITTING	2	X X	STRAIGHT, 1/8"
11	24H1740	WASHER	AR	X X	21/32" X 1-3/8" X 0.032", STRAIGHT, 1/4"
12	H101448	WASHER	AR	X X	38.500 X 60 X 0.800 MM (SPECIAL)
13	H93084	BOOT	1	X X	
14	H77698	TIE BAND	1	X X	SELF-LOCKING
15	H161388	WASHER	1	X X	
16	H166971	STRAP	1	X X	
17	19M7793	SCREW	1	X X	M16 X 40
18	03M7192	BOLT	3	X X	M10 X 30
19	H100247	SEAL	1	X X	
20	H161544	PISTON	1	X X	
21	H100246	SEAL	1	X X	
22	H100245	BARREL	1	X X	
23	AH154960	CYLINDER	1	X X	
24	14M7296	FLANGE NUT	3	X X	M10
25	H167257	BRACKET	1	X X	
26	14M7299	FLANGE NUT	3	X X	M12
27	19M7814	SCREW	2	X X	M12 X 50
28	19M7790	SCREW	1	X X	M12 X 35
29	H168732	BALL STUD	1	X X	

3D13

FEEDER HOUSE

FEEDER HOUSE RETURN FLOOR
HP9664 -UN-31MAR00



HP9664

3D14

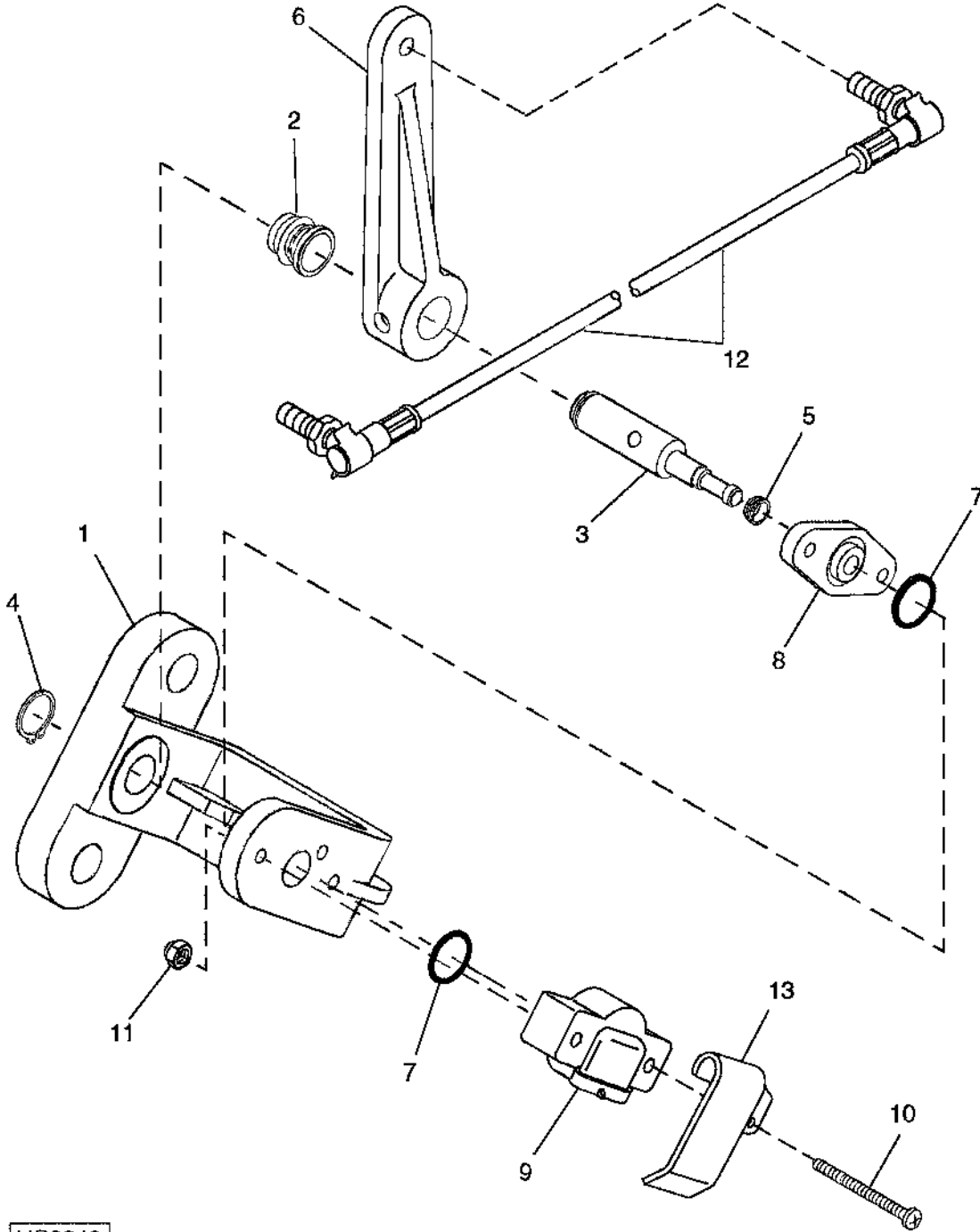
FEEDER HOUSE

FEEDER HOUSE RETURN FLOOR - CONTINUED

KEY	PART NO.	PART NAME	QTY	SERIAL NO.		REMARKS
					9 9	
					6 7	
					5 5	
					0 0	
1	24M7028	WASHER	6	-685804	X	10.500 X 20 X 2 MM
	24M7028	WASHER	6	-685840	X	10.500 X 20 X 2 MM
2	03M7190	BOLT	10		X X	M10 X 20
	14M7296	FLANGE NUT	10		X X	M10
3	AH155035	RUNNER	2		X X	OUTSIDE RUNNER
4A	H148187	ANGLE	3	-685804	X	
	H148187	ANGLE	3	-685840	X	
4B	H171960	STRIP	3	685805-	X	
	H171960	STRIP	3	685841-	X	
5	AH149680	SUPPORT	1		X X	
6	AH155034	RUNNER	1		X X	INSIDE RUNNER
7	19M7784	SCREW	8		X X	M10 X 20
8	03M7191	BOLT	2		X X	M10 X 25
	14M7296	FLANGE NUT	2		X X	M10
9	H143358	CHANNEL	1		X X	
10	H146457	NUT	2		X X	
11	19M8292	SCREW	6	-685804	X	M10 X 50
	19M8292	SCREW	6	-685840	X	M10 X 50
	03M7190	BOLT	6	685805-	X	M10 X 20
	03M7190	BOLT	6	685841-	X	M10 X 20
12	14M7296	FLANGE NUT	6		X X	M10
13	H150458	STRAP	4	-685804	X	
	H150458	STRAP	4	-685840	X	
14	H135891	LOCK NUT	6	-685804	X	
	H135891	LOCK NUT	6	-685840	X	M10
15	H157152	STRIPPER	2		X X	
16	28H1884	SPACER	6	-685804	X	0.493" X 0.675" X 1/2"
	28H1884	SPACER	6	-685840	X	0.493" X 0.675" X 1/2"
17	24M7101	WASHER	3	685805-	X	11 X 34 X 3 MM
	24M7101	WASHER	3	685841-	X	11 X 34 X 3 MM
18	H172222	SCREW	3	685805-	X	
	H172222	SCREW	3	685841-	X	

3D15

FEEDER HOUSE POSITION SENSOR
HP8849 -UN-29JUL99



HP8849

3D16

FEEDER HOUSE

FEEDER HOUSE POSITION SENSOR - CONTINUED

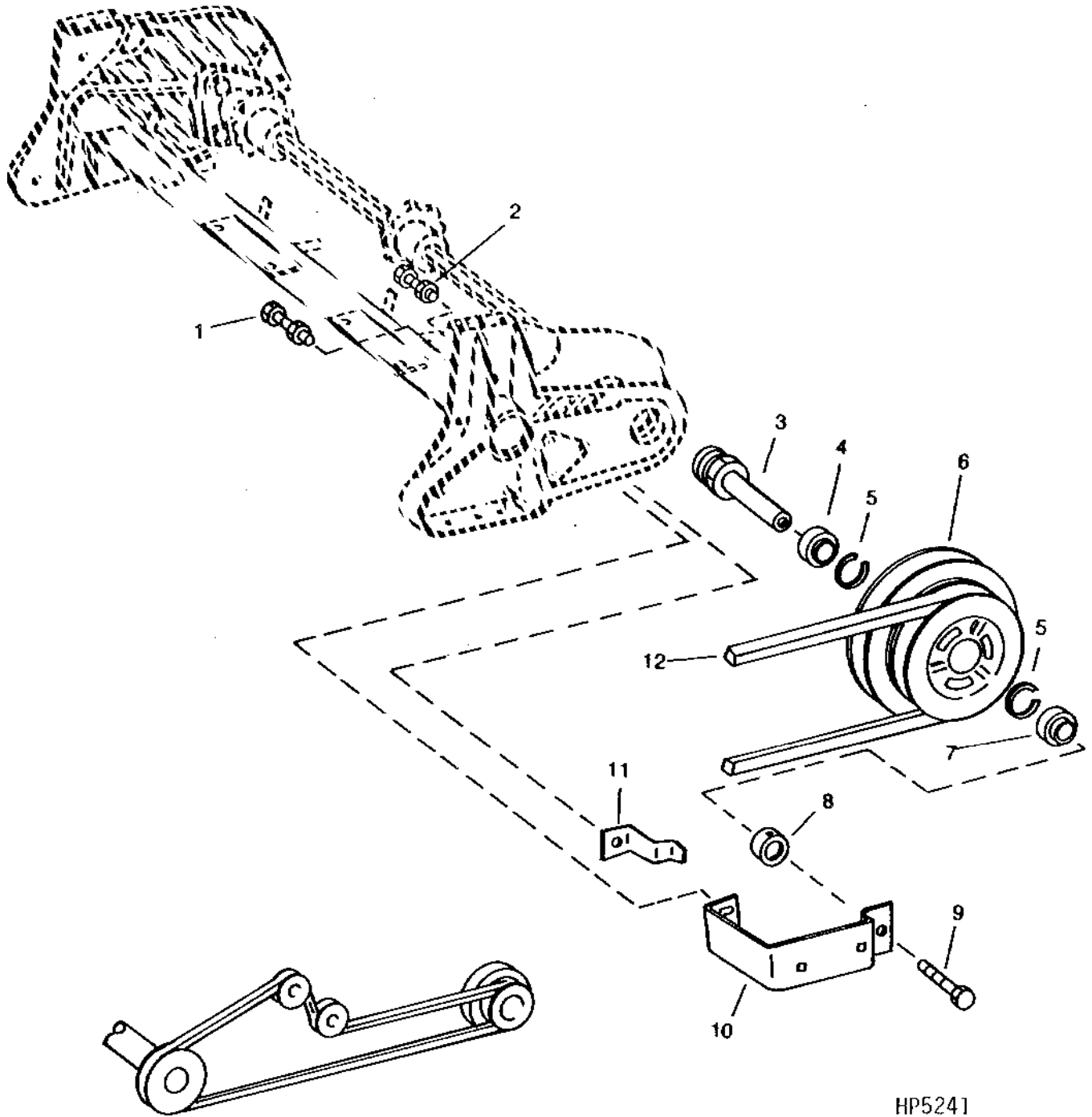
KEY	PART NO.	PART NAME	QTY	SERIAL NO.	9 9 6 7 5 5 0 0	REMARKS
1	H156936	BRACKET	1		X X	
2	R41076	GROMMET	1		X X	
3	R111692	SHAFT	1		X X	
4	R26871	SNAP RING	1		X X	
5	R112679	SEAL	1		X X	
6	H166313	LEVER	1		X X	
7	P48347	O-RING	2		X X	
8	R86457	SUPPORT	1		X X	
9	RE56165	SENSOR	1		X X	
10	21M7261	SCREW	2		X X	M5 X 45
11	14M7297	NUT	2		X X	M5
12	AH150499	BALL JOINT	1		X X	
13	H172460	BRACKET	1		X X	

3D17

FEEDER HOUSE

UPPER DRIVE SHAFT, SHEAVE AND MOUNTINGS (FIXED SPEED WITH REVERSER)

HP5241 -UN-01JAN94



HP5241

3D18

FEEDER HOUSE

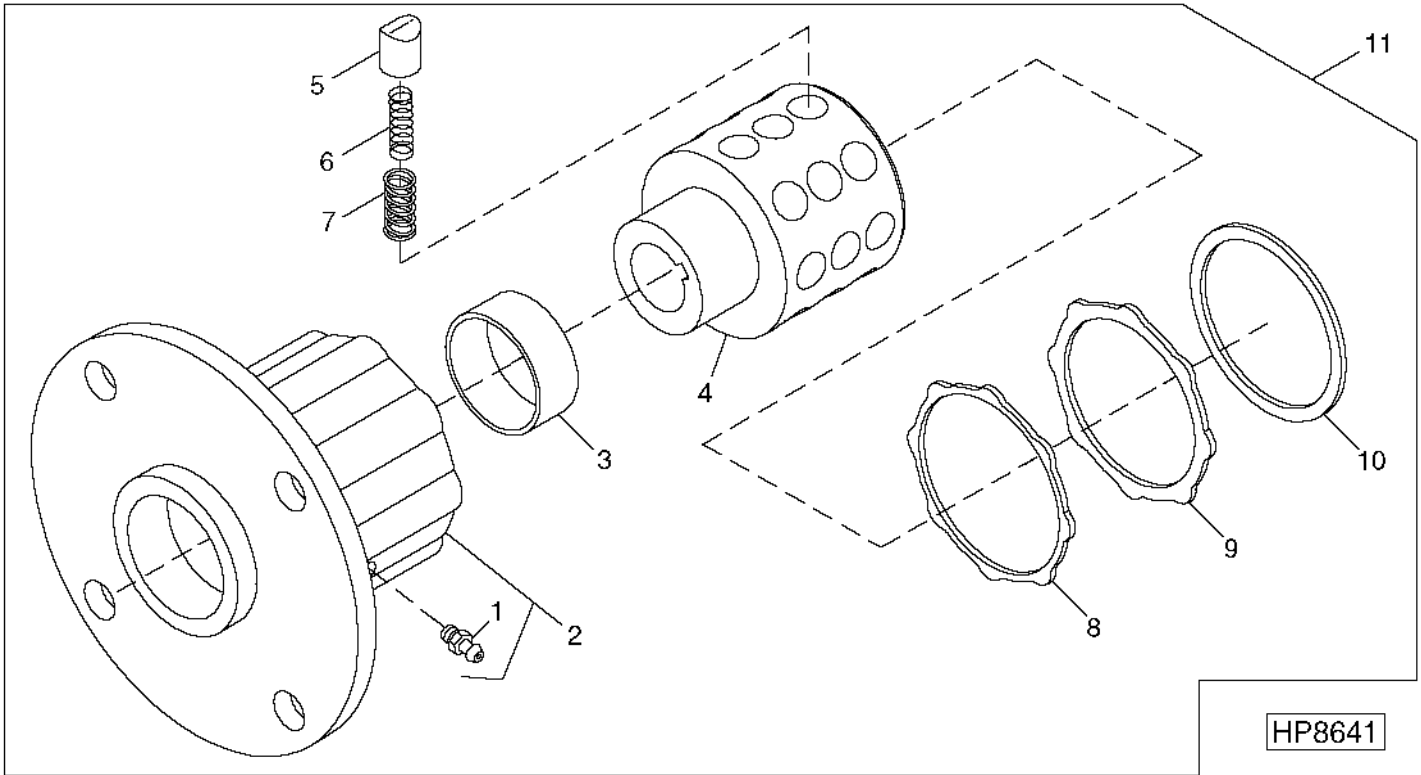
UPPER DRIVE SHAFT, SHEAVE AND MOUNTINGS - CONTINUED
(FIXED SPEED WITH REVERSER)

KEY	PART NO.	PART NAME	QTY	SERIAL NO.	REMARKS
				9 9	
				6 7	
				5 5	
				0 0	
1	19M7790	SCREW	1	X X	M12 X 35
	14M7299	FLANGE NUT	1	X X	M12
2	19M7789	SCREW	1	X X	M12 X 30
	14M7299	FLANGE NUT	1	X X	M12
3	AH125454	SHAFT	1	X X	
4	JD9301	BALL BEARING	1	X X	
5	P46874	SNAP RING	2	X X	
6	H126261	SHEAVE	1	X X	
7	JD9356	BALL BEARING	1	X X	
8	JD8576	ECCENTRIC LOCKING COLLAR	1	X X	
9	19M7790	SCREW	1	X X	M12 X 35
10	H172142	STRAP	1	X X	
11	H126302	SCRAPER	1	X X	
12	H111519	BELT	1	X X	

3D19

FEEDER HOUSE

SLIP CLUTCH (RADIAL PIN)
HP8641 -UN-11JUN99

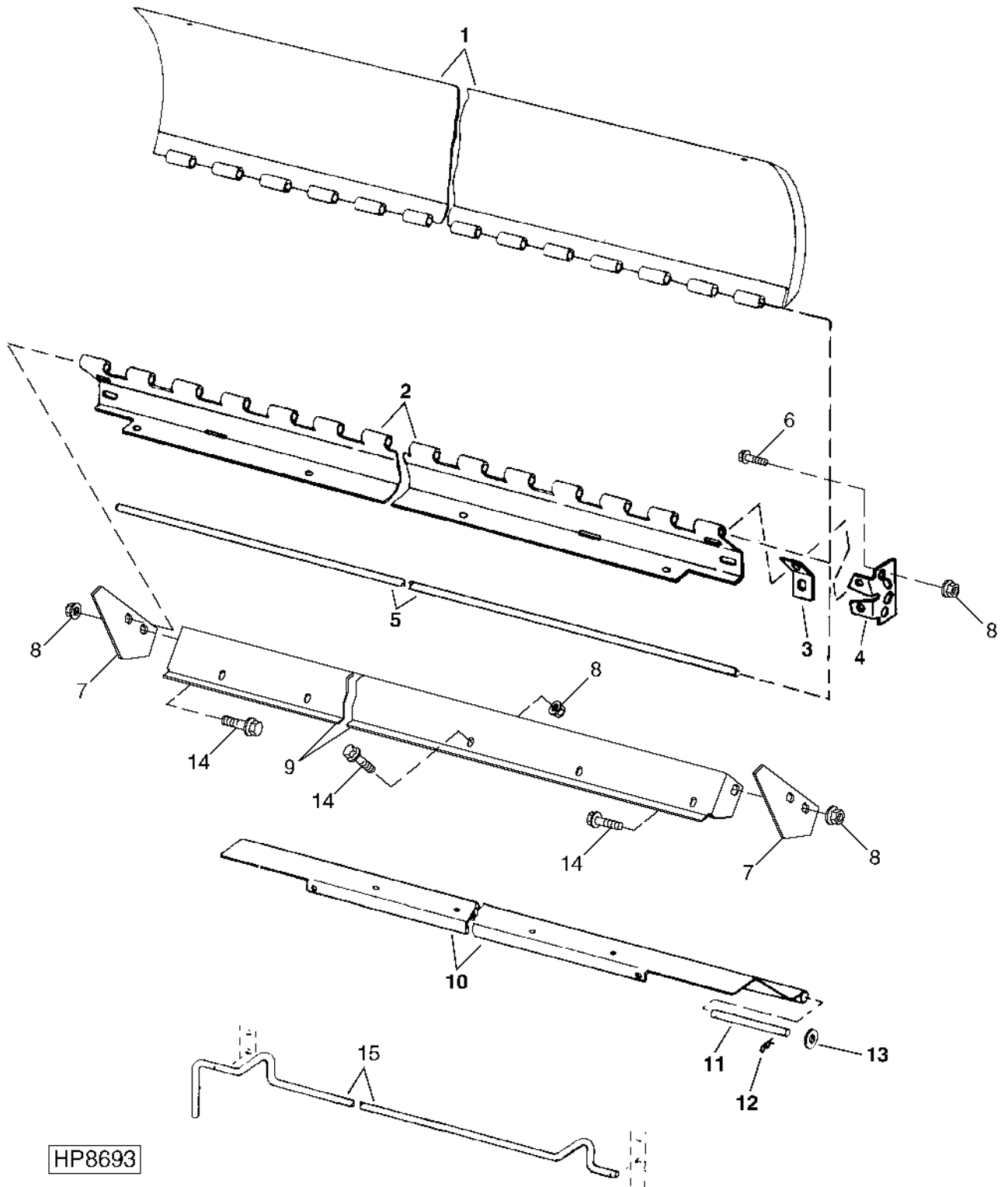


KEY	PART NO.	PART NAME	QTY	SERIAL NO.	REMARKS
				9 9	
				6 7	
				5 5	
				0 0	
1	H168925	FITTING	1	X X	
2	AH161454	HOUSING	1	X X	
3	E77072	BUSHING	1	X X	
4	H167975	HUB	1	X X	
5	M86290	CAM	24	X X	
6	M86291	COMPRESSION SPRING	24	X X	
7	M86292	COMPRESSION SPRING	21	X X	
8	M86293	RING	8	X X	
9	M86294	RING	1	X X	
10	M86295	RING	1	X X	
11	AH155409	SLIP CLUTCH	1	X X	

MEMORANDA

3D22

SEPARATOR / FEEDER HOUSE SEAL, STONE TRAP AND DOOR
HP8693 -UN-12JUL99



HP8693

3D23

THRESHING AND SEPARATION

SEPARATOR / FEEDER HOUSE SEAL, STONE TRAP AND DOOR - CONTINUED

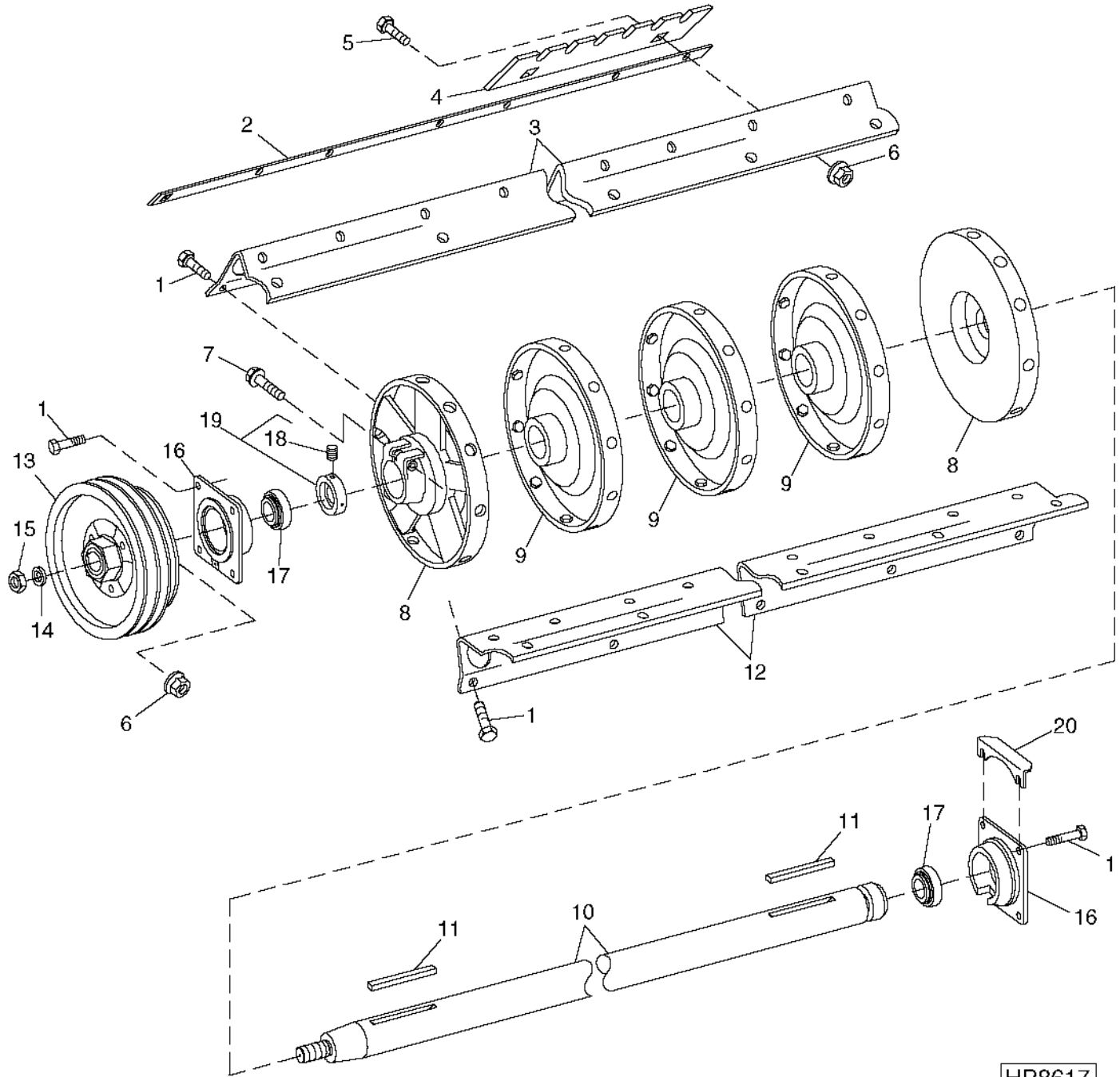
KEY	PART NO.	PART NAME	QTY	SERIAL NO.	REMARKS
				9 9	
				6 7	
				5 5	
				0 0	
1	AH156157	PLATE	1	X X	
2	AH161812	HINGE	1	X X	
3	H148019	REINFORCEMENT	2	X X	
4	H148018	SUPPORT	2	X X	
5	H117953	PIN	1	X X	
6	19M7812	SCREW	6	X X	M10 X 100
7	H156673	PLATE	2	X X	
8	14M7296	FLANGE NUT	10	X X	M10
9	H163500	DEFLECTOR	1	X X	
	AH162600	DEFLECTOR	1	X X	
10	H134335	DOOR	1	X X	
11	H148925	PIN	2	X X	
12	11M7030	COTTER PIN	4	X X	5 X 40 MM
13	24M7051	WASHER	2	X X	21 X 37 X 3 MM
14	19M7786	SCREW	1	X X	M10 X 30
15	H134338	ROD	1	X X	
16	03M7192	BOLT	4	X X	M10 X 30
..	BH81490	COMPLETE GOODS/SHIP. BUNDLE	1	X X	ROCK REJECTION NOSE

3D24

THRESHING AND SEPARATION

FEED ACCELERATOR ASSEMBLY

HP8617 -UN-20JUL99



HP8617

3D25

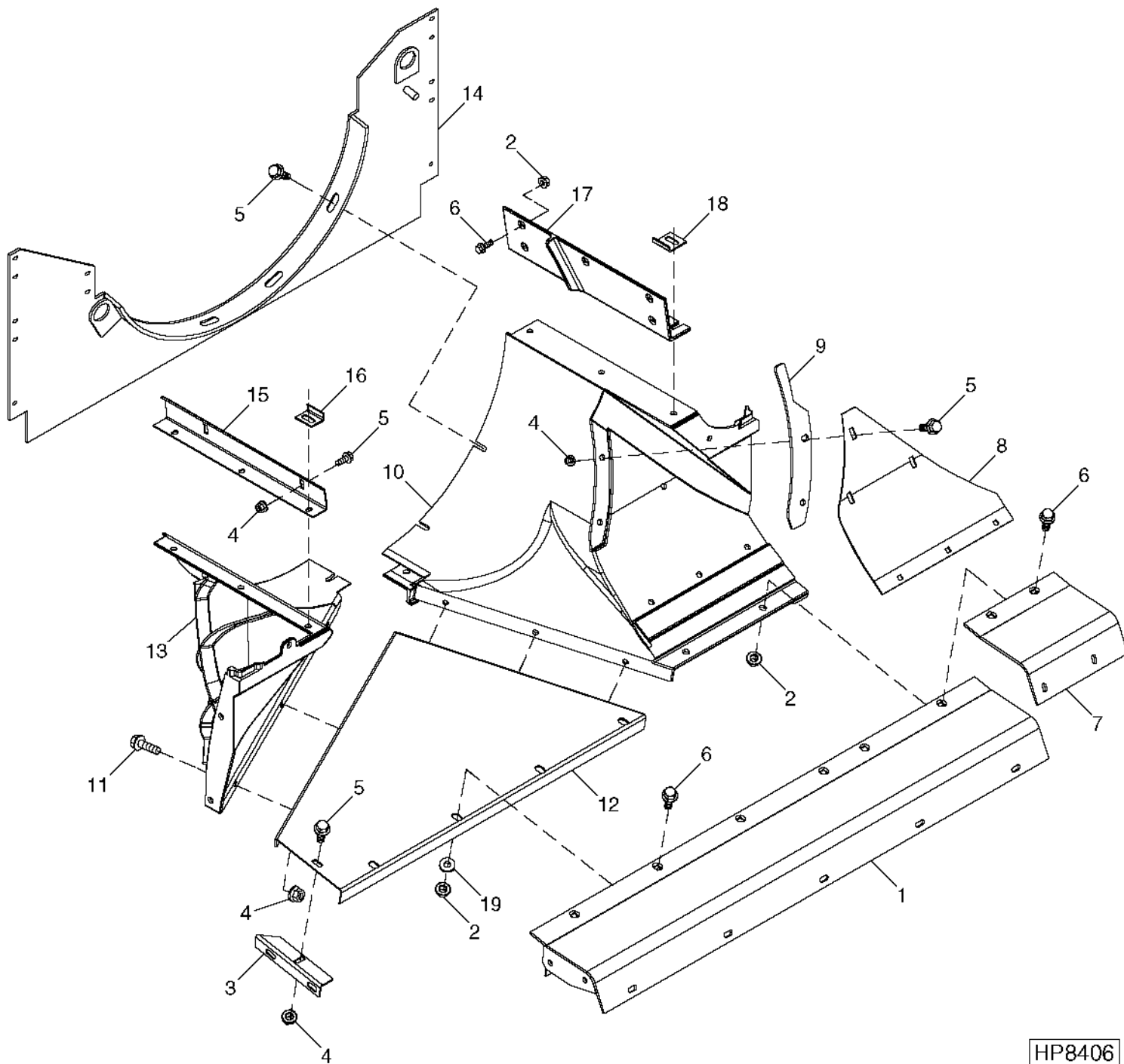
THRESHING AND SEPARATION

FEED ACCELERATOR ASSEMBLY - CONTINUED

KEY	PART NO.	PART NAME	QTY	SERIAL NO.	REMARKS
				9 9	
				6 7	
				5 5	
				0 0	
1	19M7786	SCREW	58	X X	M10 X 30
2	H165408	STRIP	10	X X	
3	H166181	SUPPORT	5	X X	
4	H165407	PLATE	30	X X	NOTCHED
	H166689	PLATE	30	X X	SMOOTH
5	03M7375	BOLT	70	X X	M10 X 30
6	14M7296	FLANGE NUT	72	X X	M10
7	19M7810	SCREW	2	X X	M10 X 80
8	H163612	HUB	2	X X	
9	AH154437	HUB	3	X X	
10	H158386	SHAFT	1	X X	
11	123380	SHAFT KEY	2	X X	
12	H166383	SUPPORT	5	X X	
13	H165008	SHEAVE	1	X X	
	H172338	SHEAVE	1	X X	SLOW SPEED
	H173255	SHEAVE	1	X X	HIGH SPEED, RICE
14	R30399	WASHER	1	X X	26 X 57 X 6MM
15	14M7278	NUT	1	X X	M24
16	H99149	HOUSING	2	X X	
17	JD9431	BALL BEARING	2	X X	
18	22H982	SET SCREW	1	X X	7/16" X 7/16"
19	JD9365	ECCENTRIC LOCKING COLLAR	1	X X	
20	H158765	BRACKET	1	X X	
..	BH81691	COMPLETE GOODS/SHIP. BUNDLE	1	X X	FRONT ACCELERATOR SLOW SPEED CONVERSION
..	BH81489	COMPLETE GOODS/SHIP. BUNDLE	1	X X	BEATER WINGS - SMOOTH FEED

3E1

FEED HOUSING ASSEMBLY
HP8406 -UN-10JUN99



HP8406

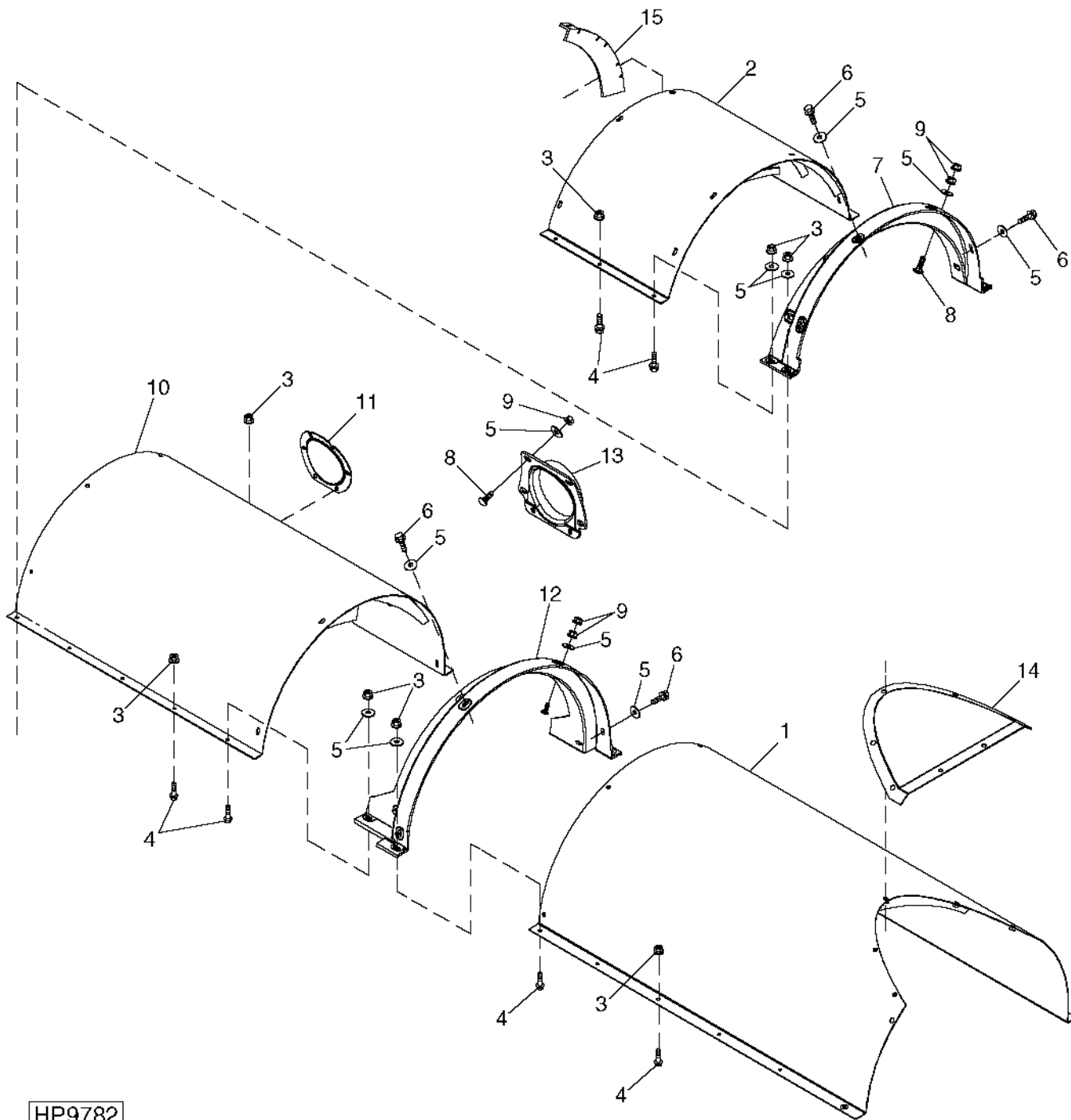
3E2

THRESHING AND SEPARATION

FEED HOUSING ASSEMBLY

KEY	PART NO.	PART NAME	QTY	SERIAL NO.	REMARKS
				9 9	
				6 7	
				5 5	
				0 0	
1	AH154691	FLOOR	1	X X	
2	14M7299	FLANGE NUT	6	X X	M12
3	H161398	ANGLE	1	X X	
4	14M7296	FLANGE NUT	18	X X	M10
5	H170866	BOLT	1	X X	
6	H160905	BOLT	11	X X	
7	H169467	FLOOR	1	X X	
8	H161399	FLOOR	1	X X	
9	H156280	VANE	1	X X	
10	H161347	HOUSING	1	X X	
11	19M7786	SCREW	1	X X	M10 X 30
12	H161397	FLOOR	1	X X	
13	H161348	HOUSING	1	X X	
14	AH146498	PLATE	1	X X	
15	H165045	ANGLE	1	X X	
16	H165068	PLATE	1	X X	
17	H169146	PLATE	1	X X	
18	H165066	ANGLE	1	X X	
19	24M7047	WASHER	4	X X	13 X 24 X 2.500 MM

SEPARATOR TOP COVERS
HP9782 -UN-24MAY00



HP9782

3E4

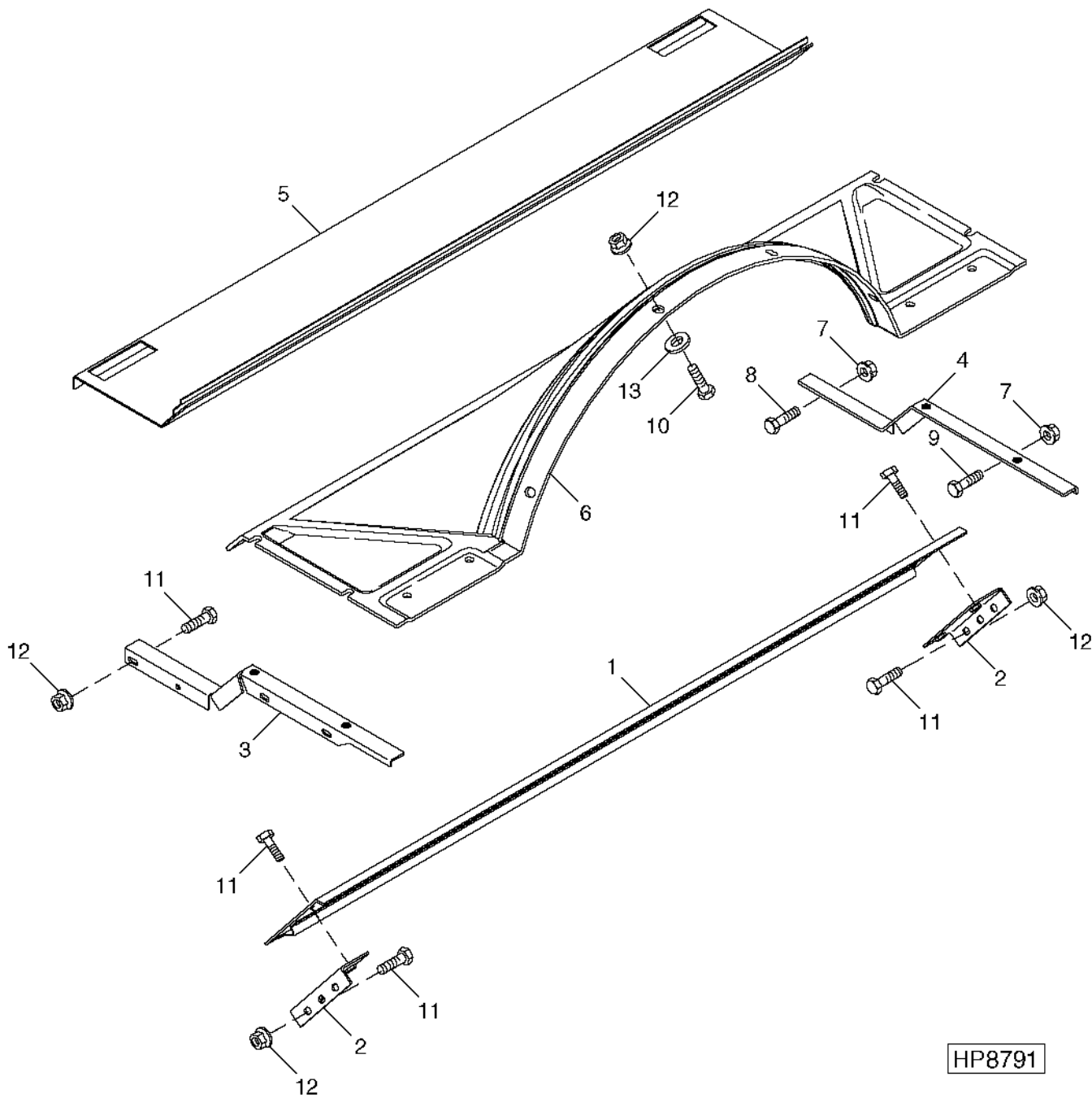
THRESHING AND SEPARATION

SEPARATOR TOP COVERS - CONTINUED

KEY	PART NO.	PART NAME	QTY	SERIAL NO.	REMARKS
				9 9	
				6 7	
				5 5	
				0 0	
1	AH146891	COVER	1	X X	
2	AH168166	COVER	1	X X	(SUB FOR AH152678)
3	H135891	LOCK NUT	1	X X	
4	19M7786	SCREW	1	X X	M10 X 30
5	24M7178	WASHER	1	X X	10.500 X 30 X 2.500 MM
6	19M7784	SCREW	1	X X	M10 X 20
7	H155577	FLANGE	1	X X	
8	H170866	BOLT	1	X X	
9	14M7296	FLANGE NUT	1	X X	M10
10	AH151607	COVER	1	X X	
11	H164786	DOOR	1	X X	
12	H155578	FLANGE	1	X X	
13	H170754	FLANGE	1	X X	
14	H161447	DOOR	1	X X	
15	H173329	WEATHER VANE	1	X X	

3E5

DUST COVERS
HP8791 -UN-07JUL99



HP8791

3E6

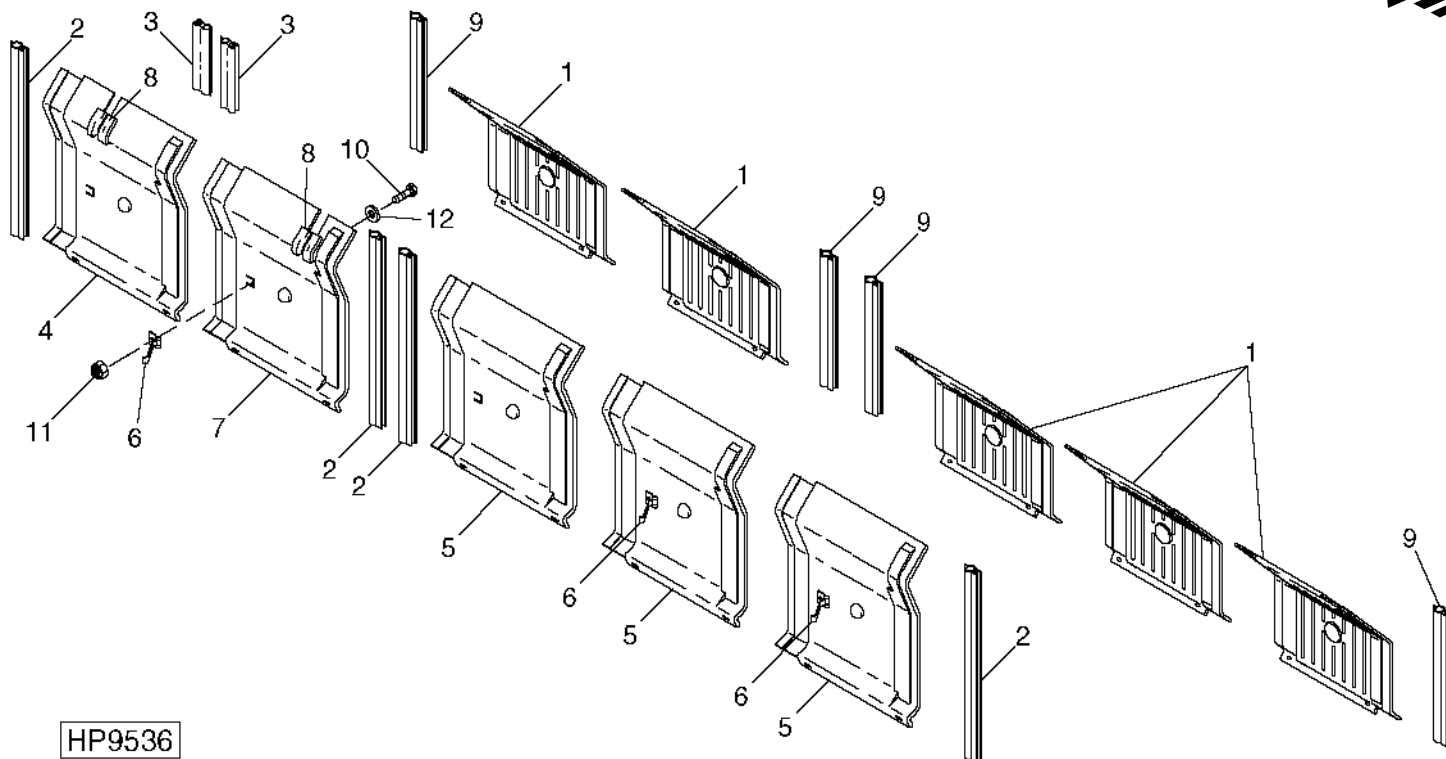
THRESHING AND SEPARATION

DUST COVERS - CONTINUED

KEY	PART NO.	PART NAME	QTY	SERIAL NO.	REMARKS
				9 9	
				6 7	
				5 5	
				0 0	
1	AH154800	PLATE	1	X X	(SUB AH168571)
	AH168571	PLATE	1	X X	
2	AH154799	SUPPORT	2	X X	
3	AH154880	SUPPORT	1	X X	
4	AH154881	SUPPORT	1	X X	
5	AH154878	PLATE	1	X X	
6	H174181	COVER	1	X X	(SUB FOR H161327)
7	14M7298	FLANGE NUT	4	X X	M8
8	19M7866	SCREW	2	X X	M8 X 20
9	19M7913	SCREW	2	X X	M8 X 90
10	03M7191	BOLT	5	X X	M10 X 25
11	19M7784	SCREW	8	X X	M10 X 20
12	14M7296	FLANGE NUT	5	X X	M10
13	24M7178	WASHER	5	X X	10.500 X 30 X 2.500 MM

SEPARATOR DOORS AND SEALS

HP9536 -UN-22FEB00



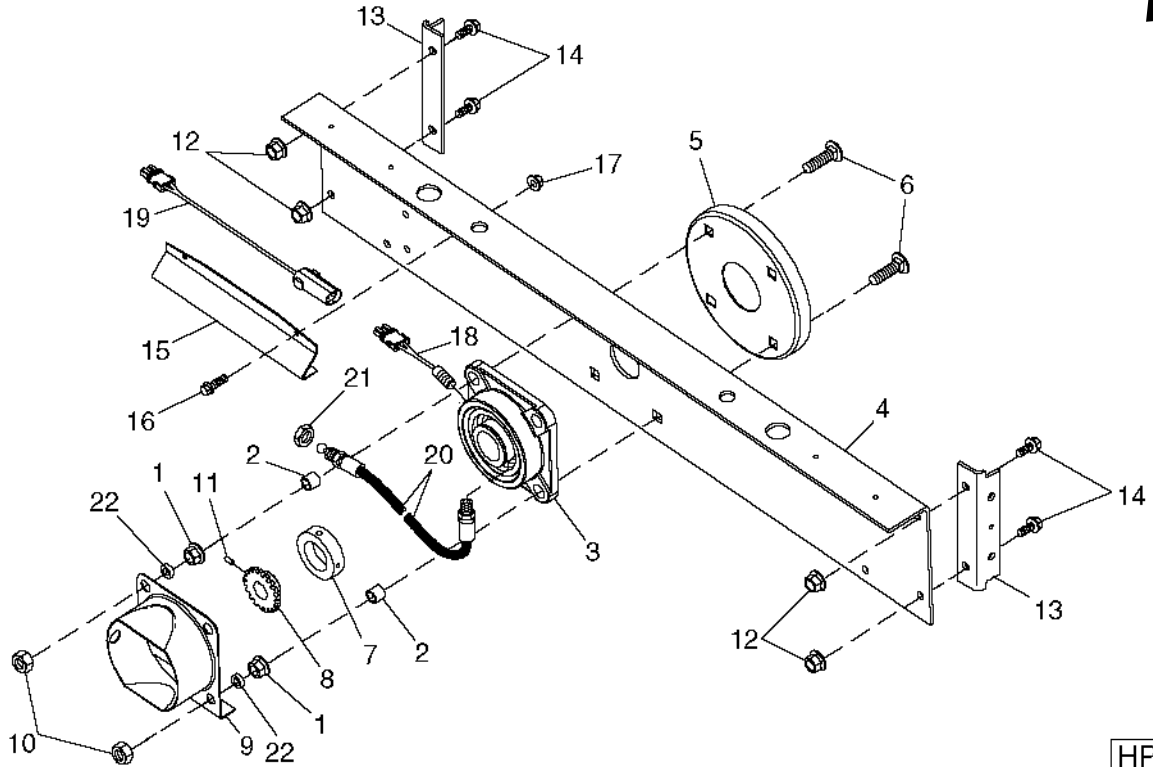
HP9536

KEY	PART NO.	PART NAME	QTY	SERIAL NO.	REMARKS
				9 9	
				6 7	
				5 5	
				0 0	
1	H155049	DOOR	5	X X	RH
2	H155040	ISOLATOR	4	X X	
3	H155047	ISOLATOR	4	X X	
4	DOOR	1	X X	MAKE FROM H155048, TEMPLATE ON BACK OF DOOR
5	H155048	DOOR	3	X X	LH
6	AH161580	DUAL LOCK FASTENER	3	X X	
7	DOOR	1	X X	MAKE FROM H155048, TEMPLATE ON BACK OF DOOR
8	SEAL	2	X X	MAKE FROM H165112
9	SEAL	4	X X	MAKE FROM H155040
10	21M7265	SCREW	3	X X	M5 X 12
11	14M7265	LOCK NUT	3	X X	M5
12	24M7210	WASHER	3	X X	5.500 X 18 X 2 MM

3E8

THRESHING AND SEPARATION

STS ROTOR BEARING AND CHANNEL
HP9649 -UN-28MAR00



HP9649

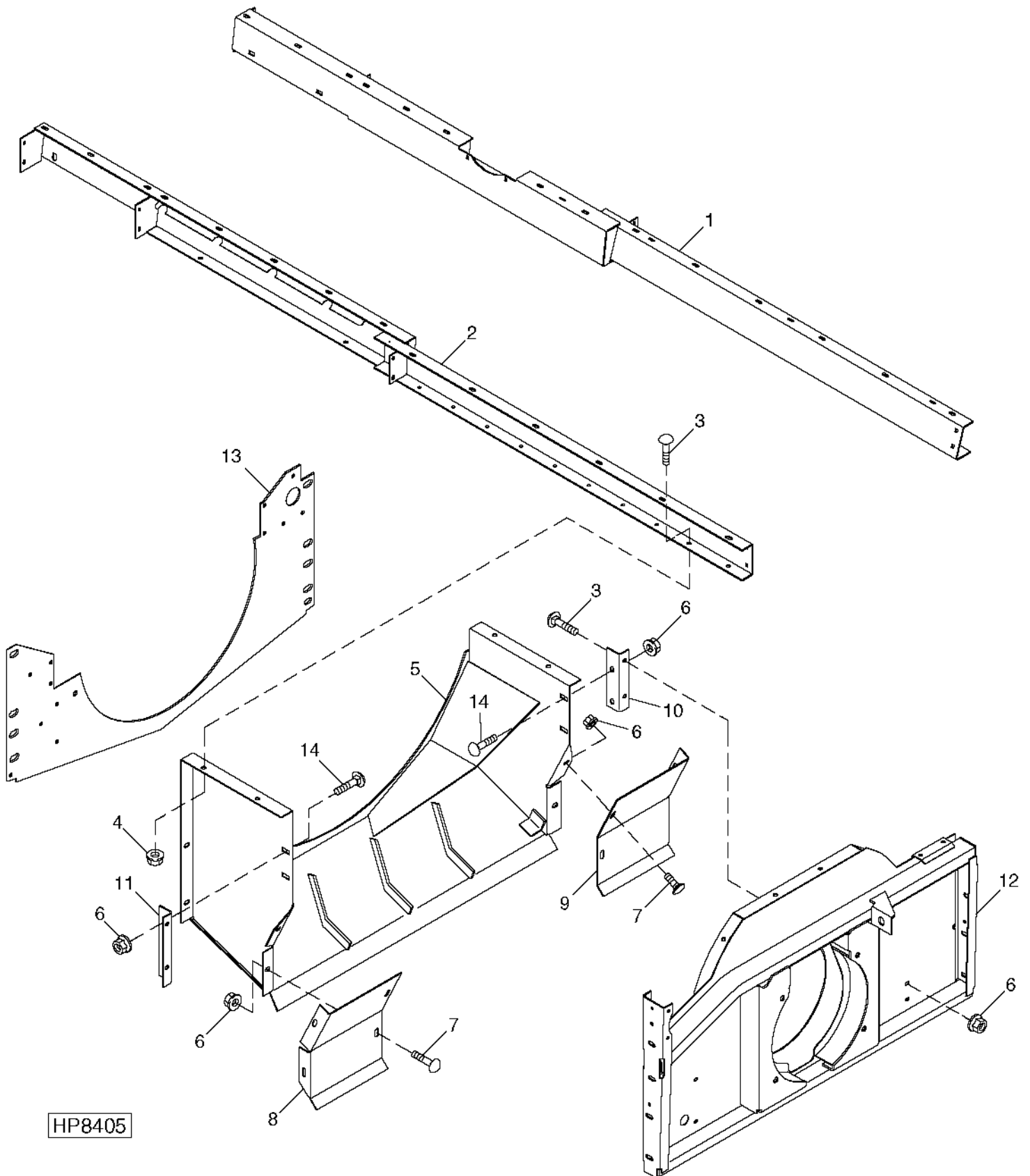
KEY	PART NO.	PART NAME	QTY	SERIAL NO.	REMARKS
				9 9	
				6 7	
				5 5	
				0 0	
1	14M7291	FLANGE NUT	4	X X	M16
2	N111742	BUSHING	4	X X	
3	AH160613	BEARING	1	X X	
4	H157874	ANGLE	1	X X	
5	H158989	RING	1	X X	(SUB H174995)
	H174995	RING	1	X X	
6	03M7209	BOLT	4	X X	M16 X 60
7	AH158887	ECCENTRIC LOCKING COLLAR	1	X X	
8	H122372	WHEEL	1	X X	
9	H162993	BRACKET	1	X X	
10	14M7260	NUT	4	X X	M16
11	22M7027	SET SCREW	1	X X	M6 X 16
12	14M7299	FLANGE NUT	4	X X	M12
13	H152599	ANGLE	2	X X	
14	19M7789	SCREW	4	X X	M12 X 30
15	H161042	COVER	1	X X	
16	37M7083	SCREW	2	X X	M8 X 12
17	14M7296	FLANGE NUT	2	X X	M10
18	AH116104	SENSOR	1	X X	
19	AH159502	WIRING HARNESS	1	X X	
20	AH154498	HOSE	1	X X	
21	E12379	NUT	1	X X	
22	24M7097	WASHER	4	X X	17 X 28 X 2.500 MM

3E9

THRESHING AND SEPARATION

SEPARATOR MODULE RAILS AND DISCHARGE HOUSING

HP8405 -UN-21JUN99



3E10

THRESHING AND SEPARATION

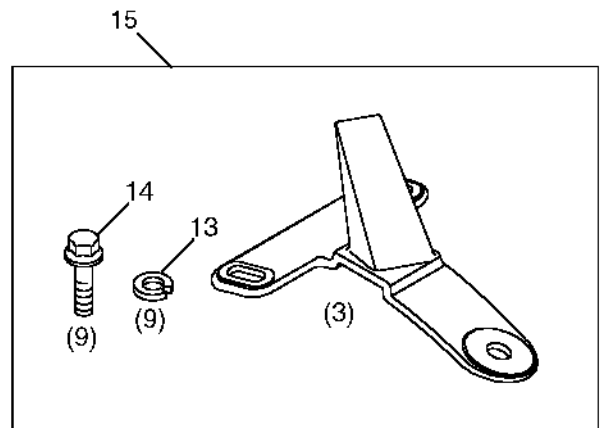
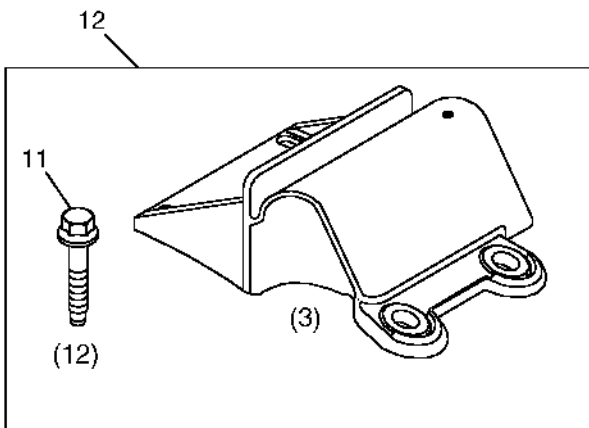
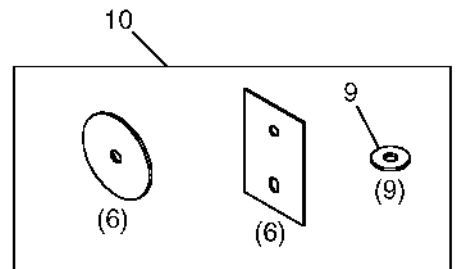
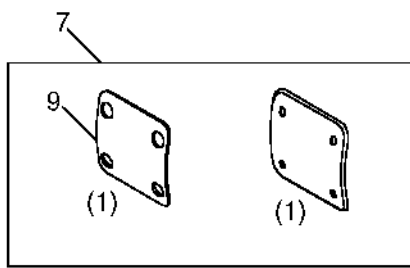
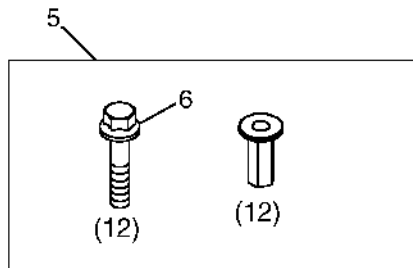
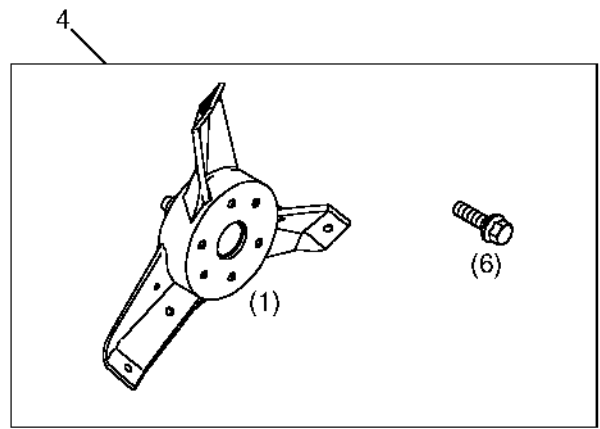
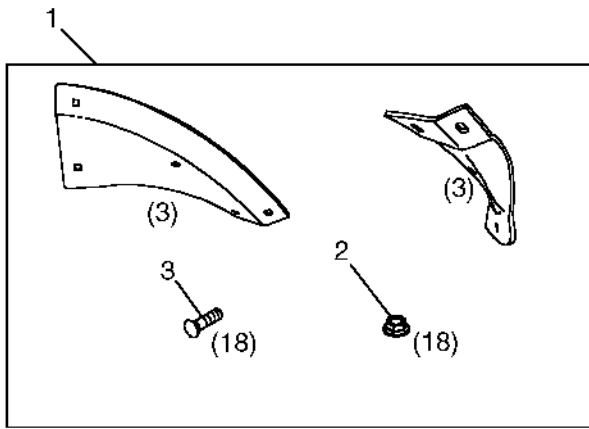
SEPARATOR MODULE RAILS AND DISCHARGE HOUSING - CONTINUED

KEY	PART NO.	PART NAME	QTY	SERIAL NO.	9 9 6 7 5 5 0 0	REMARKS
1	AH146605	RAIL	1		X X	
2	AH146604	RAIL	1		X X	
3	19M7786	SCREW	8		X X	M10 X 30
4	H135891	LOCK NUT	4		X X	
5	AH162294	HOUSING	1		X X	(SUB AH168772)
	AH168772	HOUSING	1		X X	
6	14M7296	FLANGE NUT	12		X X	M10
7	03M7375	BOLT	8		X X	M10 X 30
8	H155859	PANEL	1		X X	
9	H158422	PANEL	1		X X	
10	H160826	ANGLE	1		X X	
11	H160825	ANGLE	1		X X	
12	AH171092	ASSEMBLY LINE PARTS	1		X X	(SUB FOR AH146571)
13	H152161	PLATE	1		X X	
14	H170866	BOLT	4		X X	

3E11

THRESHING AND SEPARATION

SEPARATOR CONE REPAIR KITS HP9856 -UN-27JUN00



HP9856

3E12

THRESHING AND SEPARATION

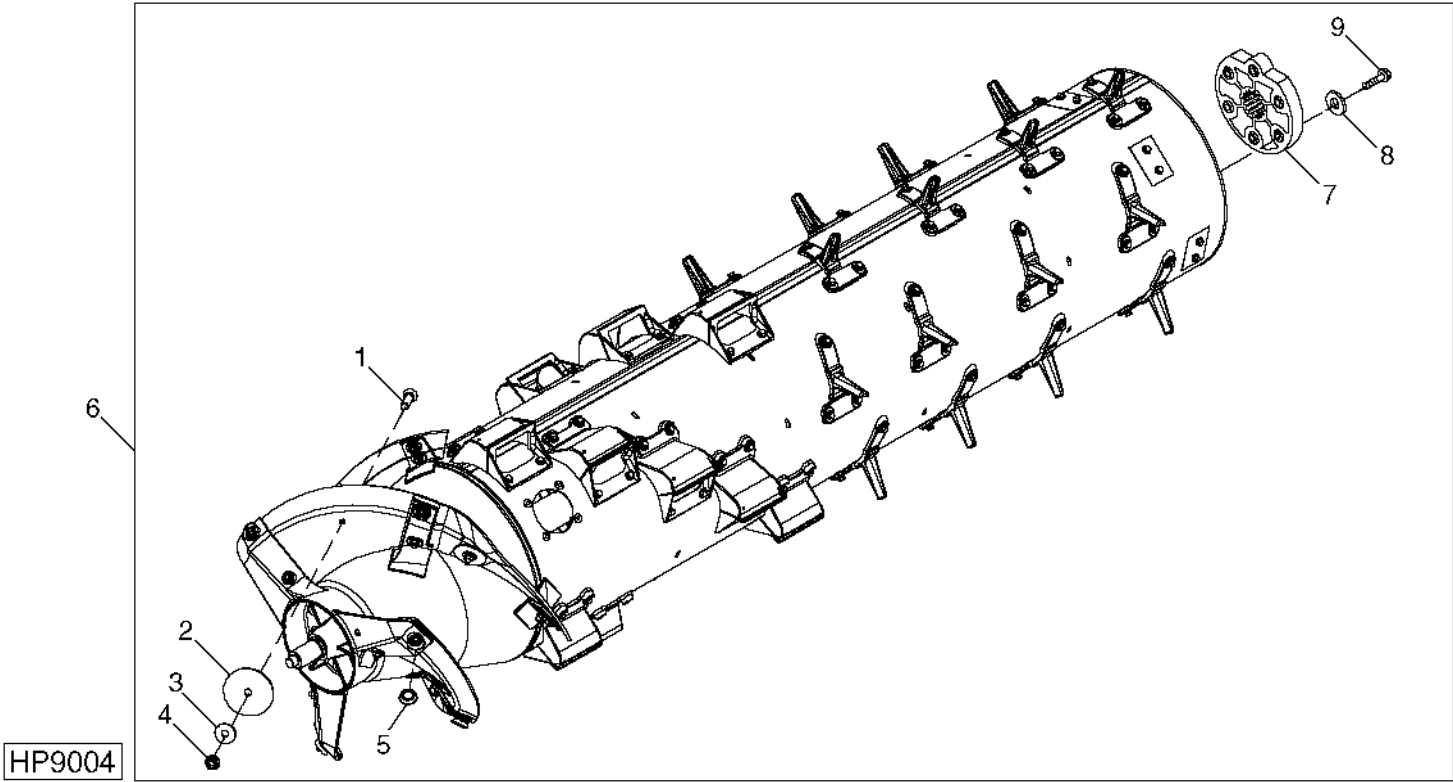
SEPARATOR CONE REPAIR KITS - CONTINUED

KEY	PART NO.	PART NAME	QTY	SERIAL NO.	REMARKS
				9 9	
				6 7	
				5 5	
				0 0	
1	AH161699	KIT	1	X X	FLIGHT REPAIR
2	H171638	FLANGE NUT	18	X X	
3	H160905	BOLT	18	X X	
4	AH161700	KIT	1	X X	NOSE SPIDER REPAIR
5	AH167741	KIT	1	X X	CAPSCREW AND RIVNUT REPAIR
6	H156088	SCREW	12	X X	
7	AH161703	KIT	1	X X	COVER REPAIR
8	H173621	GASKET	1	X X	
9	24M7180	WASHER	9	X X	13 X 37 X 3 MM
10	AH161704	KIT	1	X X	BALANCE WEIGHT REPAIR
11	H156088	SCREW	12	X X	
12	AH167739	THRESHING ELEMENT	1	X X	THRESHING ELEMENT REPAIR (3 PER KIT, 5 KITS USED)
13	24M7296	WASHER	9	X X	
14	H173619	SCREW	9	X X	
15	AH167740	KIT	1	X X	TINE REPAIR (3 PER KIT, 8 KITS USED)

3E13

THRESHING AND SEPARATION

SEPARATOR CONE ASSEMBLY HP9004 -UN-10SEP99



KEY	PART NO.	PART NAME	QTY	SERIAL NO.	REMARKS
				9 9	
				6 7	
				5 5	
				0 0	
1	H160905	BOLT	24	X X	
2	WEIGHT	12	X X	BALANCE WEIGHT
3	24M7180	WASHER	6	X X	13 X 37 X 3 MM
4	H171638	FLANGE NUT	24	X X	
5	E80202	CAP	6	X X	
6	AH167943	SEPARATOR	1	X X	(SUB FOR AH161779) (INCLUDES AH167738) (BALANCED SERVICE)
7	AH150405	COUPLING	1	X X	
8	24M7103	WASHER	6	X X	17.500 X 56 X 5 MM
9	19M7827	SCREW	6	X X	M16 X 80

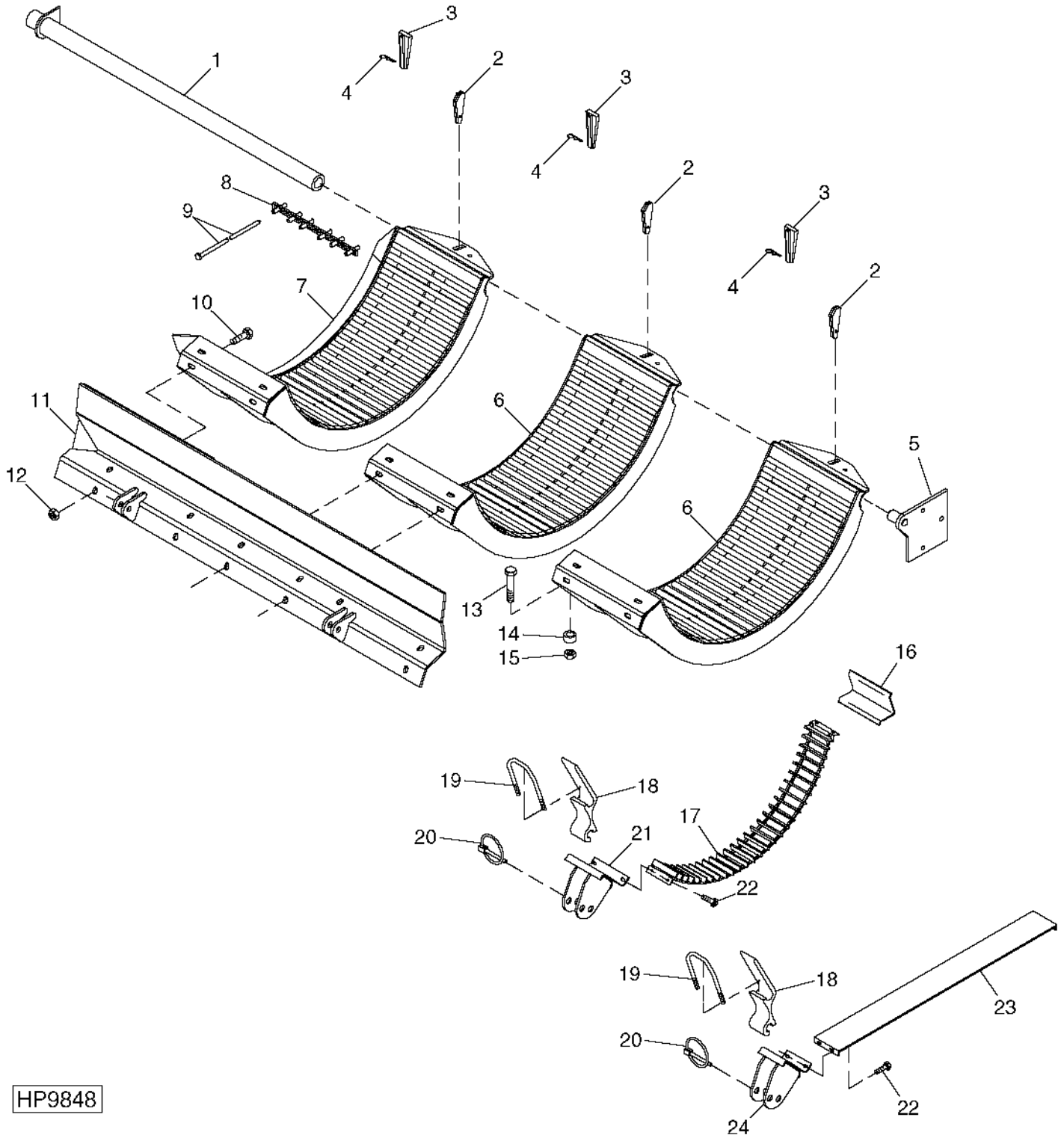
MEMORANDA

3E14

THRESHING AND SEPARATION

CONCAVES AND SUPPORTS

HP9848 -UN-14JUN00



HP9848

3E15

THRESHING AND SEPARATION

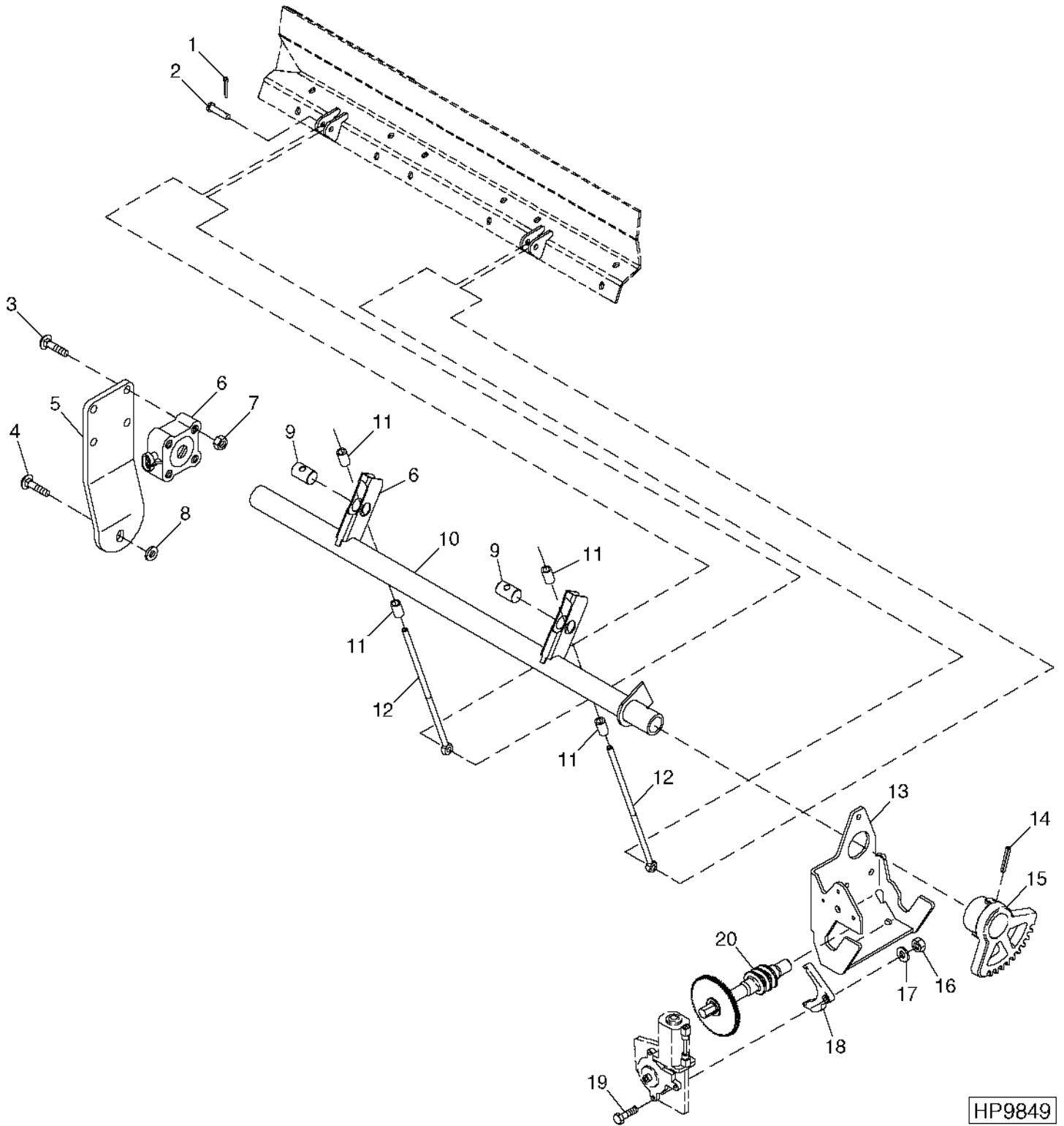
CONCAVES AND SUPPORTS - CONTINUED

KEY	PART NO.	PART NAME	QTY	SERIAL NO.	REMARKS
				9 9	
				6 7	
				5 5	
				0 0	
1	AH146656	TUBE	1	X X	
2	H170350	SUPPORT	3	X X	
3	H170351	WEDGE	3	X X	
4	28316	SPRING LOCKING PIN	3	X X	
5	AH146657	PLATE	1	X X	
6	AH154365	CONCAVE	2	X X	ROUND BAR, 16MM, MID/REAR
	AH168482	CONCAVE	2	X X	(SUB FOR AH150588) DEEP BAR, LARGE WIRE, MID/REAR
	AH168480	CONCAVE	2	X X	(SUB FOR AH148954) DEEP BAR, MID/REAR, SMALL GRAIN
7	AH168481	CONCAVE	1	X X	(SUB FOR AH150587) DEEP BAR, FRONT, LARGE WIRE
	AH168479	CONCAVE	1	X X	(INCLUDES AH168686 AND H156272) (SUB FOR AH148953) DEEP BAR, FRONT, SMALL GRAIN
	AH168477	CONCAVE	1	X X	(SUB FOR AH154364) ROUND BAR, 16MM, FRONT
8	AH168686	BAR	25	X X	(SUB FOR AH160499)
9	H156272	NAIL	25	X X	
10	19M7786	SCREW	12	X X	M10 X 30
11	AH146662	BAR	1	X X	
	AH166173	BAR	1	X X	
12	H135891	LOCK NUT	12	X X	
13	19M7800	SCREW	2	X X	
14	M48770	SPACER	6	X X	
15	14M7298	FLANGE NUT	14	X X	
16	H173051	BRACKET	3	X X	
17	AH158835	BAR	2	X X	
	AH168438	BAR	2	X X	
18	H161342	LEVER	3	X X	
19	H128877	U-BOLT	3	X X	
20	AH169109	PIN	3	X X	
21	AH167177	BRACKET	1	X X	
	AH168667	BRACKET	3	X X	
22	19M7834	SCREW	1	X X	M6 X 45
23	AH168534	PLATE	1	X X	
..	BH81876	COMPLETE GOODS/SHIP. BUNDLE	1	X X	CONCAVE FILLER PLATES
..	BH81877	COMPLETE GOODS/SHIP. BUNDLE	1	X X	CONCAVE INSERTS
..	BH81807	COMPLETE GOODS/SHIP. BUNDLE	1	X X	CONCAVE - SMALL WIRE
..	BH81808	COMPLETE GOODS/SHIP. BUNDLE	1	X X	CONCAVE - LARGE WIRE

3E16

CONCAVE ADJUSTING ASSEMBLY

HP9849 -UN-14JUN00



HP9849

3E17

THRESHING AND SEPARATION

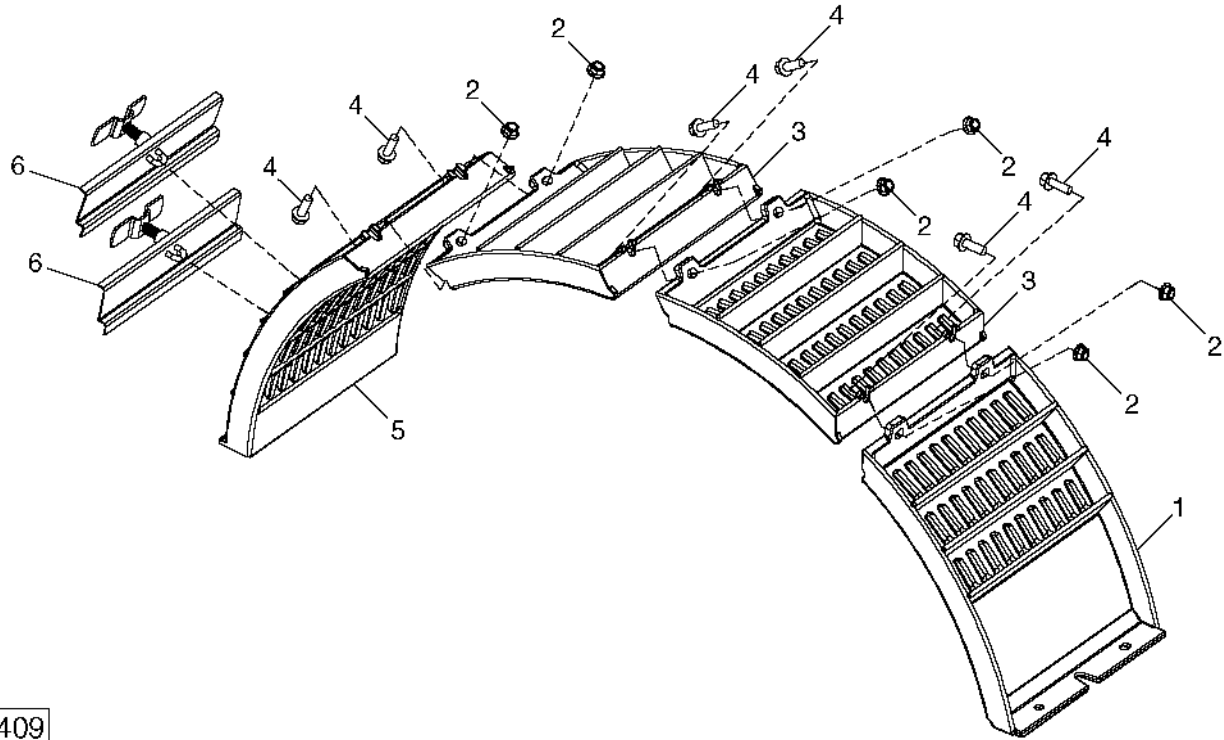
CONCAVE ADJUSTING ASSEMBLY - CONTINUED

KEY	PART NO.	PART NAME	QTY	SERIAL NO.	REMARKS
				9 9	
				6 7	
				5 5	
				0 0	
1	11M7017	COTTER PIN	2	X X	3.200 X 32 MM
2	45M7042	PIN	2	X X	12 X 50 MM
3	19M7317	SCREW	4	X X	M5 X 30
4	19M7809	SCREW	1	X X	M10 X 70
5	H172951	SUPPORT	1	X X	
6	AH145352	SENSOR	1	X X	CONCAVE CLEARANCE INDICATOR
7	14M7375	FLANGE NUT	4	X X	M5
8	14M7296	FLANGE NUT	1	X X	M10
9	H156593	PIN	2	X X	
10	AH149231	TUBE	1	X X	
11	28H3430	BUSHING	3	X X	0.546" X 0.840" X 1-1/2"
12	H156592	EYEBOLT	2	X X	
13	H173456	BRACKET	1	X X	
14	AH155278	PIN	1	X X	
15	H152305	GEAR	1	X X	
16	14M7264	LOCK NUT	3	X X	M4
17	24M7117	WASHER	3	X X	4.300 X 9 X 0.800 MM
18	H161245	SPACER	1	X X	
19	19M8812	SCREW	3	X X	M4 X 50
20	AH164308	WORM GEAR	1	X X	
..	BH81876	COMPLETE GOODS/SHIP. BUNDLE	1	X X	CONCAVE FILLER PLATES
..	BH81877	COMPLETE GOODS/SHIP. BUNDLE	1	X X	CONCAVE INSERTS
..	BH81807	COMPLETE GOODS/SHIP. BUNDLE	1	X X	CONCAVE - SMALL WIRE
..	BH81808	COMPLETE GOODS/SHIP. BUNDLE	1	X X	CONCAVE - LARGE WIRE

3E18

THRESHING AND SEPARATION

SEPARATOR GRATE
HP8409 -UN-29MAR99



HP8409

KEY	PART NO.	PART NAME	QTY	SERIAL NO.	REMARKS
				9 9	
				6 7	
				5 5	
				0 0	
1	H159064	GRATE	1	X X	R.H. SHORT BAR (ILLUSTRATED)
	H174439	GRATE	1	X X	R.H. FULL OPEN
2	H135891	LOCK NUT	6	X X	
3	H159065	GRATE	2	X X	
4	19M7786	SCREW	6	X X	M10 X 30
5	H159066	GRATE	1	X X	L.H. SHORT BAR (ILLUSTRATED)
	H174440	GRATE	1	X X	L.H. FULL OPEN
6	AH158688	COVER	2	X X	
..	BH81807	COMPLETE GOODS/SHIP. BUNDLE	1	X X	CONCAVE - SMALL WIRE

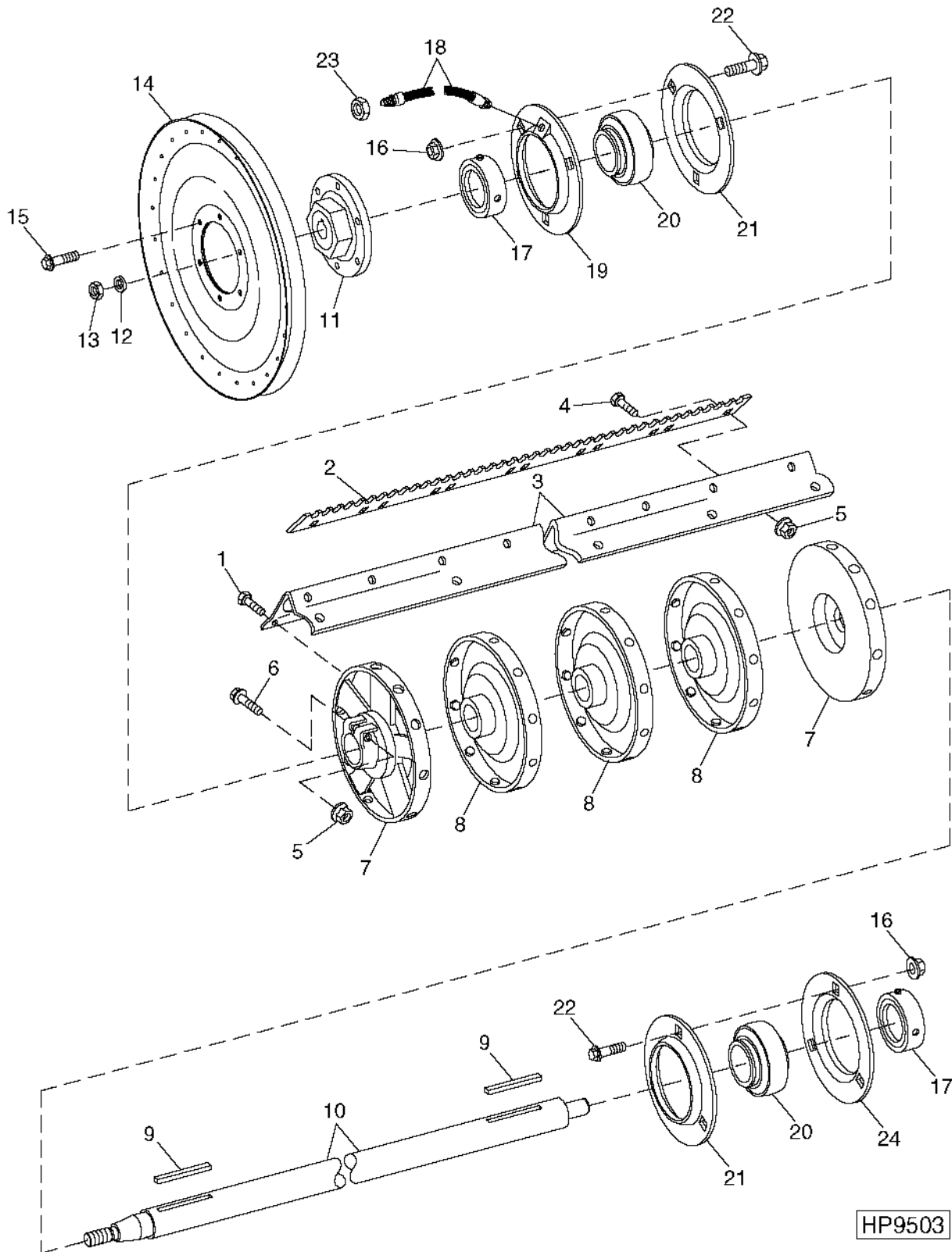
MEMORANDA

3E19

THRESHING AND SEPARATION

DISCHARGE BEATER ASSEMBLY

HP9503 -UN-19JAN00



HP9503

3E20

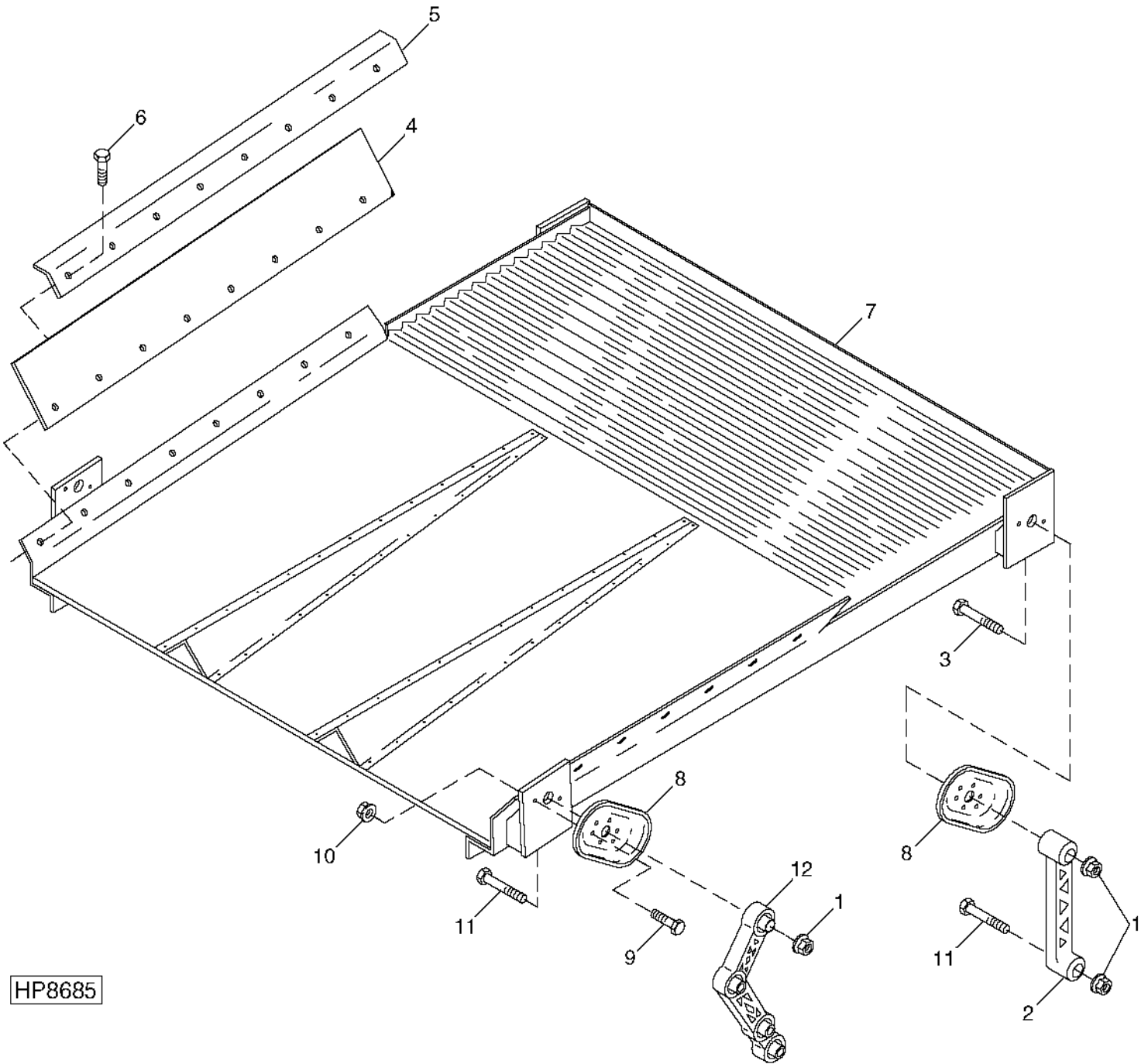
THRESHING AND SEPARATION

DISCHARGE BEATER ASSEMBLY - CONTINUED

KEY	PART NO.	PART NAME	QTY	SERIAL NO.	REMARKS
				9 9	
				6 7	
				5 5	
				0 0	
1	19M7786	SCREW	50	X X	M10 X 30
2	H161011	STRIP	5	X X	
3	H166383	SUPPORT	5	X X	
4	03M7375	BOLT	35	X X	M10 X 30
5	14M7296	FLANGE NUT	37	X X	M10
6	19M7810	SCREW	2	X X	M10 X 80
7	H163612	HUB	2	X X	
8	AH154437	HUB	3	X X	
9	123380	SHAFT KEY	2	X X	
10	H161010	SHAFT	1	X X	
11	H160801	HUB	1	X X	
12	24M7091	WASHER	1	X X	26 X 44 X 4MM
13	14M7278	NUT	1	X X	M24
14	AH144822	SHEAVE	1	X X	
15	19M7866	SCREW	6	X X	M8 X 20
16	14M7296	FLANGE NUT	6	X X	M10
17	AH133191	ECCENTRIC LOCKING COLLAR	2	X X	
18	AH142000	HOSE	1	X X	
19	H171037	PRESSED FLANGED HOUSING	1	X X	
20	AH139296	BALL BEARING	2	X X	
21	H135410	PRESSED FLANGED HOUSING	2	X X	
22	03M7192	BOLT	6	X X	M10 X 30
23	E12379	NUT	1	X X	
24	AH129420	PRESSED FLANGED HOUSING	1	X X	

3E21

SHAKER PAN
HP8685 -UN-01JUL99



HP8685

3E22

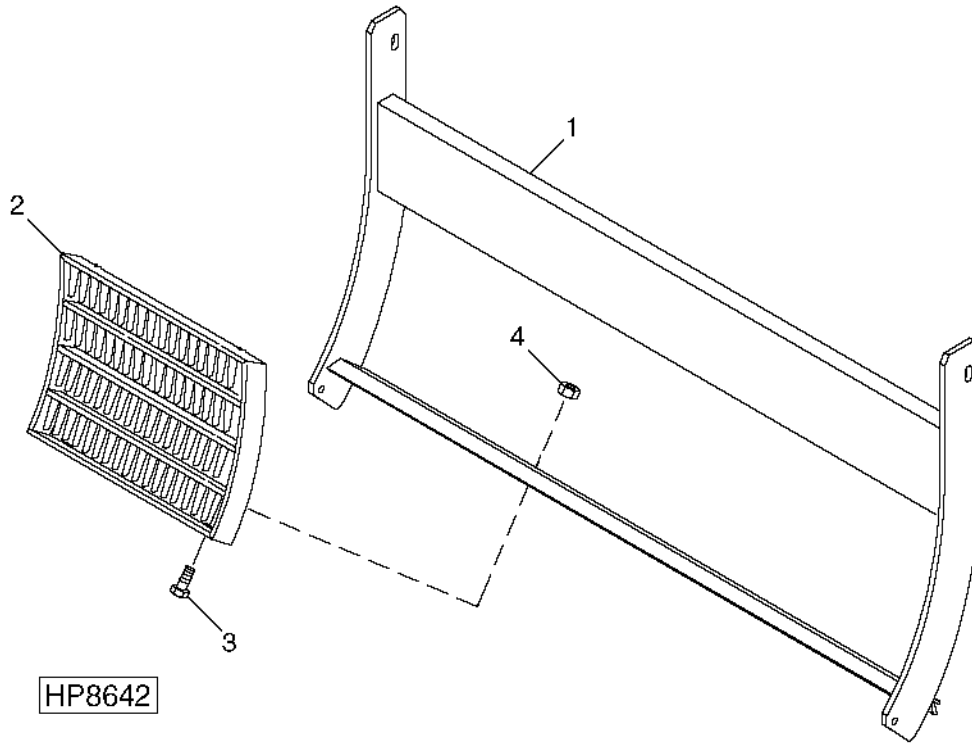
THRESHING AND SEPARATION

SHAKER PAN - CONTINUED

KEY	PART NO.	PART NAME	QTY	SERIAL NO.	REMARKS
				9 9	
				6 7	
				5 5	
				0 0	
1	14M7299	FLANGE NUT	6	X X	M12
2	AH138230	LINK	2	X X	
3	H154928	BOLT	2	X X	
4	H157458	SEAL	2	X X	
5	H157459	REINFORCEMENT	2	X X	
6	M64720	RIVET	16	X X	4.775 MM
7	AH149851	PAN	1	X X	
8	H171354	SEAL	4	X X	
9	21M7267	SCREW	8	X X	M6 X 20
10	14M7397	LOCK NUT	8	X X	M6
11	19M7820	SCREW	4	X X	M12 X 100
12	AH125970	ARM	1	X X	R.H.
	AH125969	ARM	1	X X	L.H.

3E23

DISCHARGE GRATE ASSEMBLY
HP8642 -UN-14JUN99



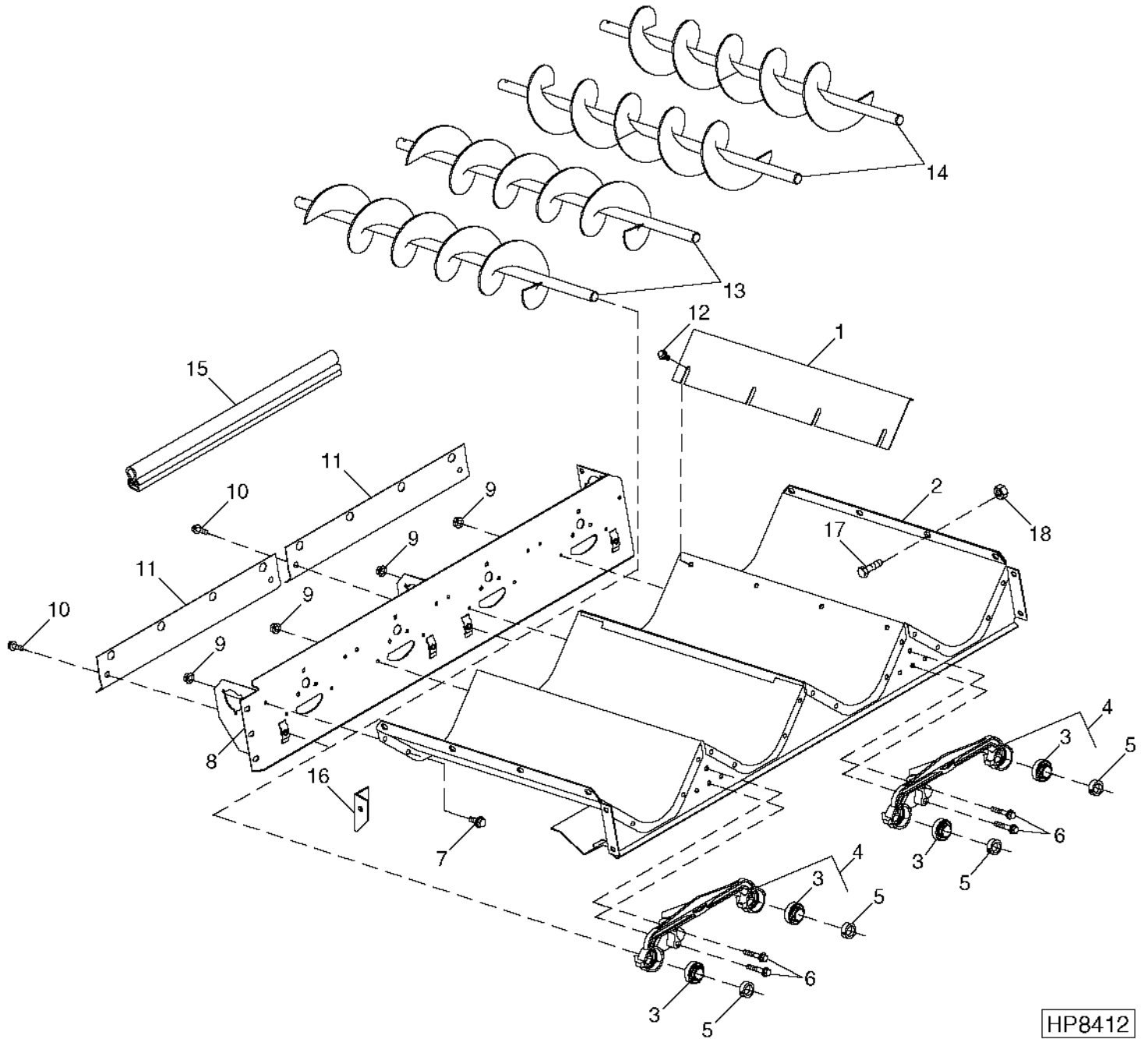
KEY	PART NO.	PART NAME	QTY	SERIAL NO.	REMARKS
				9 9	
				6 7	
				5 5	
				0 0	
1	AH154263	FRAME	1	X X	
2	H164785	GRATE	3	X X	
3	19M7786	SCREW	12	X X	M10 X 30
4	H135891	LOCK NUT	12	X X	

MEMORANDA

3F2

CLEANING SHOE

AUGER BED ASSEMBLY
HP8412 -UN-27JUL99



HP8412

3F3

CLEANING SHOE

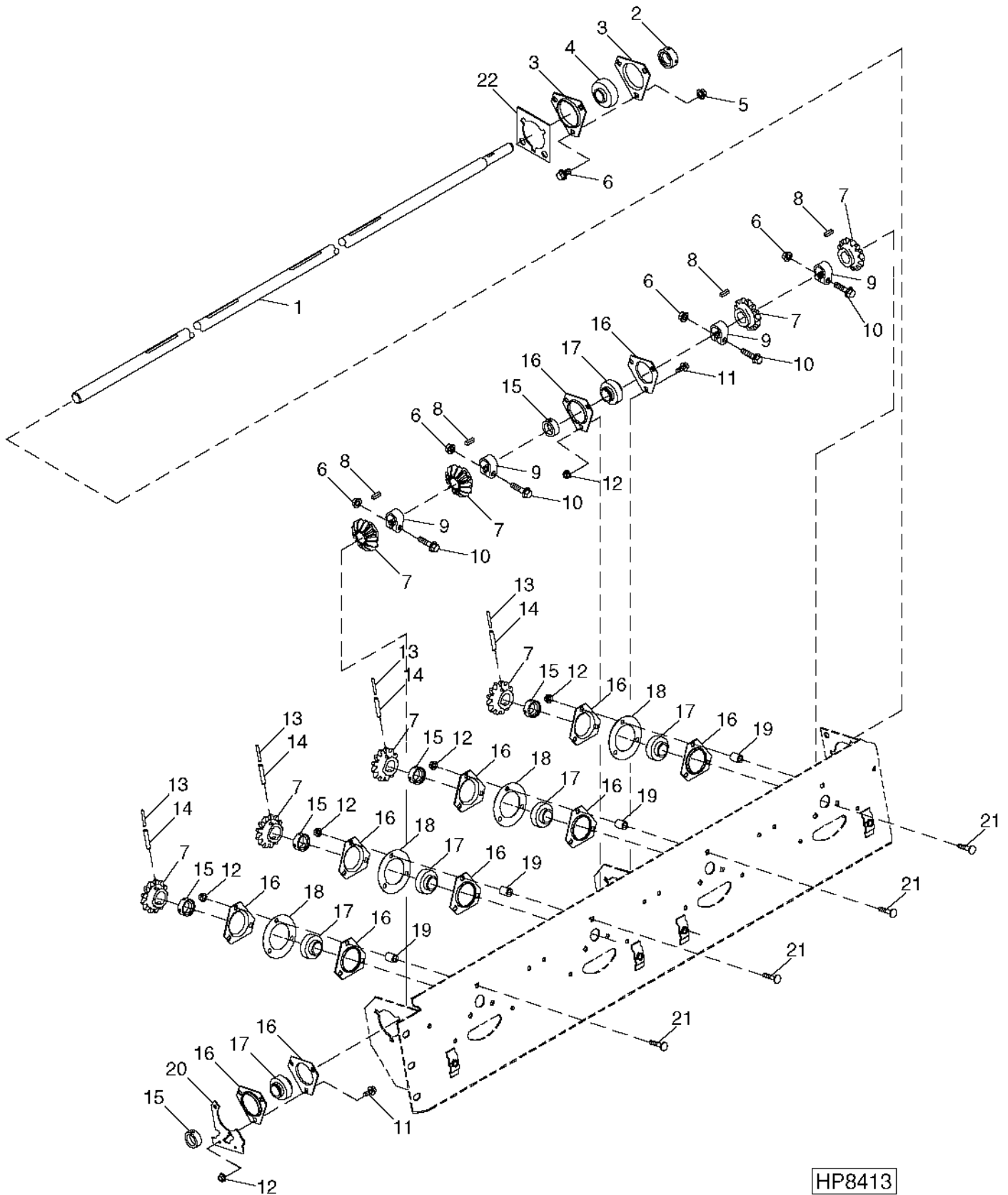
AUGER BED ASSEMBLY - CONTINUED

KEY	PART NO.	PART NAME	QTY	SERIAL NO.	REMARKS
				9 9	
				6 7	
				5 5	
				0 0	
1	H165589	SHEET	2		
2	AH146785	TROUGH	1		
3	AH159863	BALL BEARING	4		
4	AH159878	SUPPORT	2		
5	JD8554	ECCENTRIC LOCKING COLLAR	4		
6	19M7807	SCREW	4		M10 X 60
7	19M7866	SCREW	16		M8 X 20
8	AH152916	CHANNEL	1		
9	14M7298	FLANGE NUT	16		M8
10	19M7786	SCREW	4		M10 X 30
11	H152546	DOOR	2		
12	19M7784	SCREW	8		M10 X 20
13	AH146786	AUGER	2		
14	AH146787	AUGER	2		
15	AH80335	WEATHERSTRIP	1		
16	H152536	ANGLE	1		
17	19M7784	SCREW	AR		M10 X 20
18	14M7296	FLANGE NUT	AR		M10

3F4

CLEANING SHOE

AUGER SHAFT AND BEARINGS
HP8413 -UN-28JUN99



HP8413

3F5

CLEANING SHOE

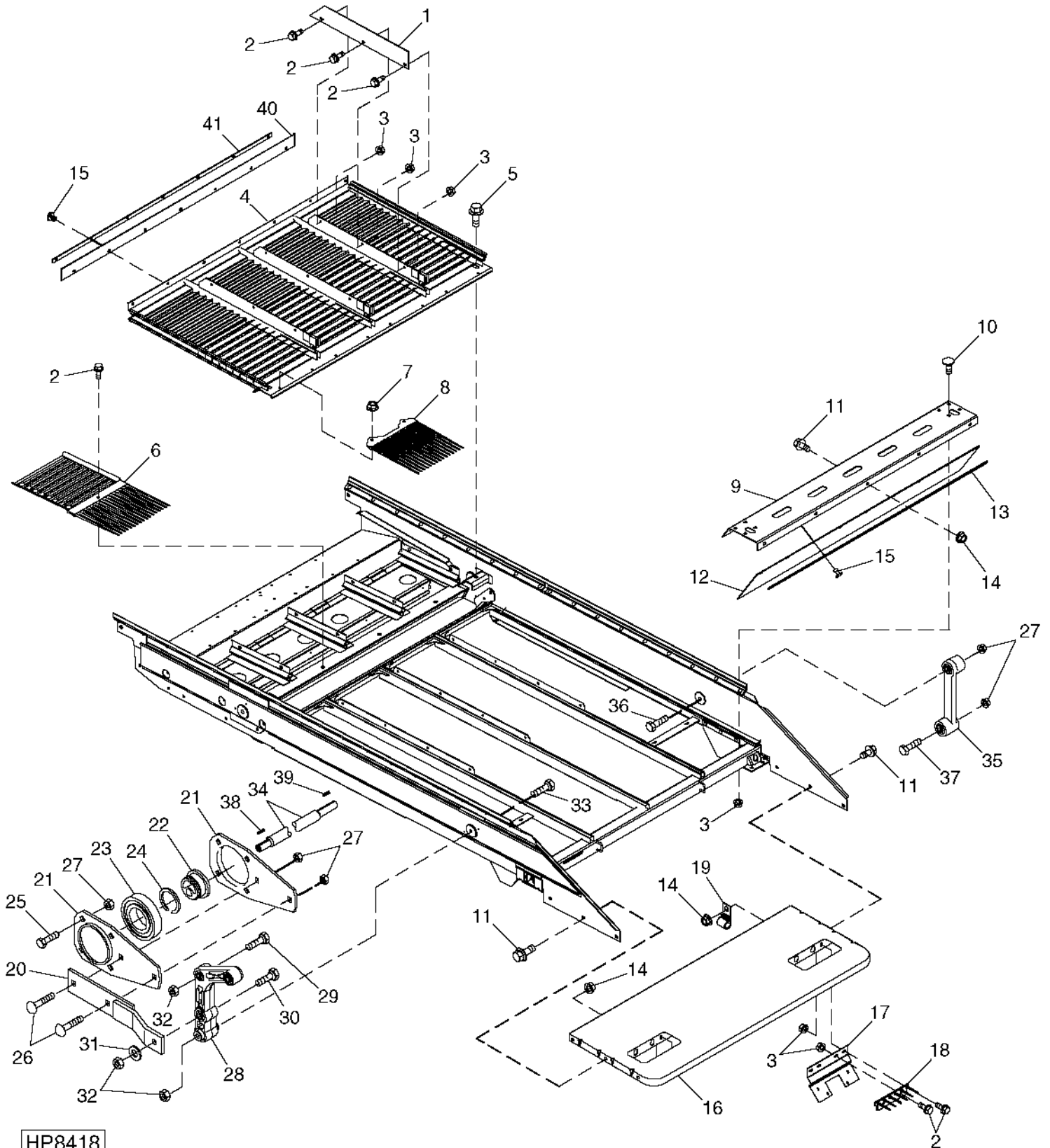
AUGER SHAFT AND BEARINGS - CONTINUED

KEY	PART NO.	PART NAME	QTY	SERIAL NO.	9 9 6 7 5 5 0 0	REMARKS
1	H150804	SHAFT	1	-686512	X X	
	H171186	SHAFT	1	686513-	X X	
2	AH129452	ECCENTRIC LOCKING COLLAR	1		X X	
3	E10018	PRESSED FLANGED HOUSING	2		X X	
4	AH168161	BEARING	1		X X	
5	14M7296	FLANGE NUT	3		X X	M10
6	19M7784	SCREW	7		X X	M10 X 20
7	H137215	GEAR	8	-686512	X X	
	H174745	GEAR	8	686513-	X X	
8	H167587	KEY	4		X X	
9	H145112	CLAMP	4		X X	
10	19M7804	SCREW	4		X X	M10 X 40
11	19M7866	SCREW	6		X X	M8 X 20
12	14M7298	FLANGE NUT	18		X X	M8
13	34H81	SPRING PIN	4		X X	3/16" X 1-1/2"
14	34H119	SPRING PIN	4		X X	5/16" X 1-3/4"
15	JD8554	ECCENTRIC LOCKING COLLAR	6		X X	
16	H103264	PRESSED FLANGED HOUSING	12		X X	
17	JD9273	BALL BEARING	6		X X	
18	H36155	SHIM	4		X X	0.762 MM
19	28H1720	BUSHING	12		X X	0.423" X 0.675" X 27/32"
20	H148271	BRACKET	1		X X	
21	03M7188	BOLT	12		X X	M8 X 40
22	H170824	PLATE	1		X X	

3F6

CLEANING SHOE

CHAFFER FRAME
HP8418 -UN-25JUN99



HP8418

3F7

CLEANING SHOE

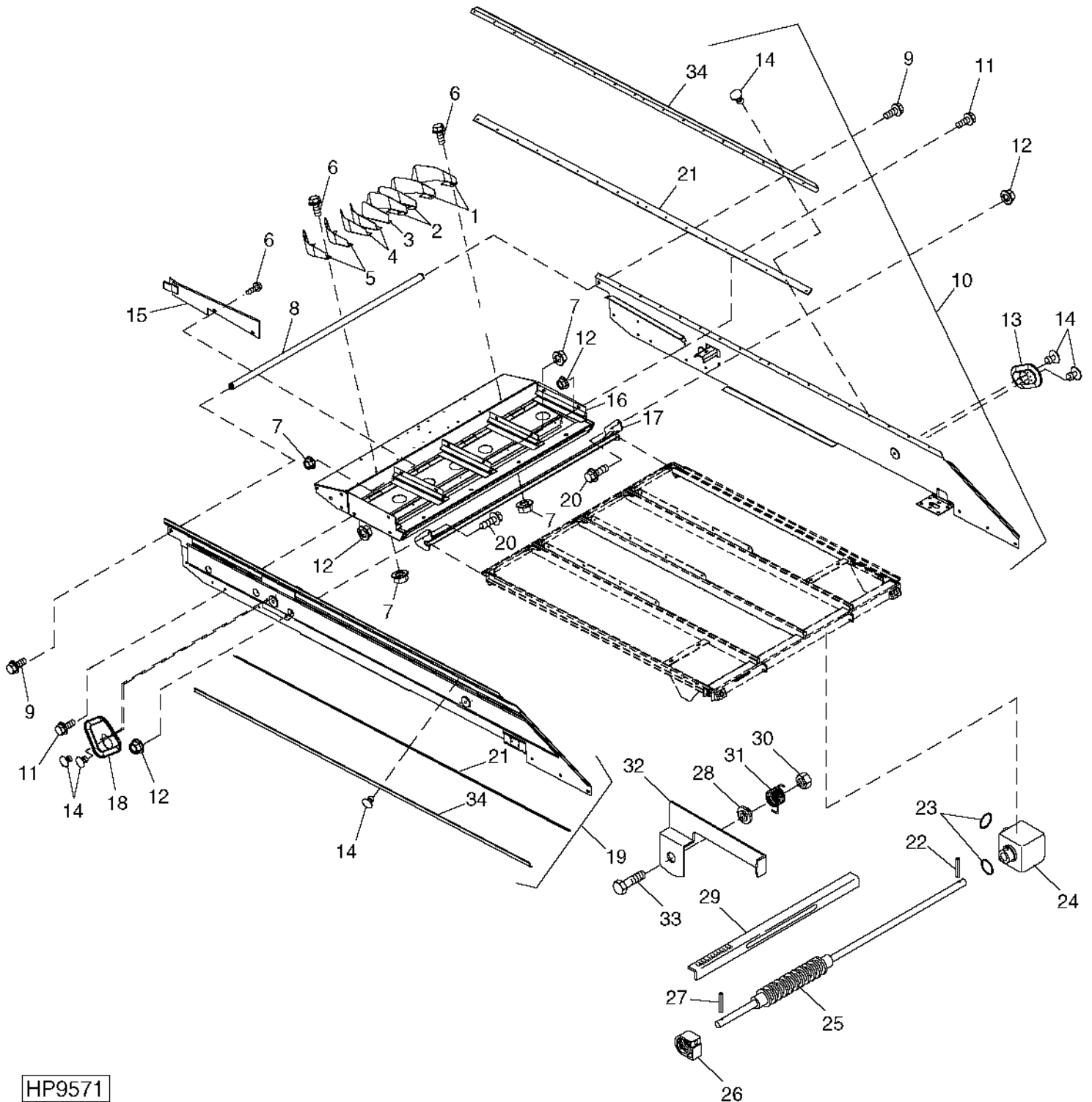
CHAFFER FRAME - CONTINUED

KEY	PART NO.	PART NAME	QTY	SERIAL NO.	REMARKS
				9 9	
				6 7	
				5 5	
				0 0	
1	H168992	PARTITION	3	X X	(SUB FOR H161850)
2	19M7866	SCREW	AR	X X	M8 X 20
3	14M7298	FLANGE NUT	AR	X X	M8
4	AH158457	FRAME	1	X X	
5	19M7789	SCREW	2	X X	M12 X 30
6	H166637	FINGER	4	X X	(SUB H175351)
	H175351	FINGER	4	X X	
7	14M7396	LOCK NUT	8	X X	M8
8	H132161	FINGER	4	X X	
9	H159512	SUPPORT	1	X X	
10	03M7303	BOLT	8	X X	M20 X 45
11	19M7784	SCREW	AR	X X	M10 X 20
12	H161392	SEAL	1	X X	
13	H159623	STRIP	1	X X	
14	14M7296	FLANGE NUT	AR	X X	M10
15	M64720	RIVET	9	X X	4.775 MM
16	AH151164	FLOOR	1	X X	
17	H167920	BRACKET	2	X X	
18	H170206	FINGER	2	X X	
19	AH89557	CLIP	1	X X	
20	AH146483	ARM	2	X X	
21	H134118	PRESSED FLANGED HOUSING	2	X X	
22	H152151	CAM	1	X X	
	H152150	CAM	1	X X	
23	AH125975	BALL BEARING	2	X X	
24	R43383	SNAP RING	2	X X	
25	03M7198	BOLT	4	X X	M12 X 30
26	03M7202	BOLT	2	X X	M12 X 50
27	14M7299	FLANGE NUT	6	X X	M12
28	AH146570	ARM	1	X X	
	AH146569	ARM	1	X X	
29	19M7829	SCREW	2	X X	M16 X 130
30	19M8486	CAP SCREW	2	X X	M16 X 180
31	H96690	SPACER	2	X X	
32	14M7291	FLANGE NUT	6	X X	M16
33	19M7830	SCREW	2	X X	M16 X 150
34	H133598	SHAFT	1	X X	
35	AH138230	LINK	2	X X	
36	H154928	BOLT	2	X X	
37	19M7820	SCREW	2	X X	M12 X 100
38	SHAFT KEY	1	X X	6 X 50MM, (CUT FROM H150268)
39	SHAFT KEY	1	X X	6 X 100MM, (CUT FROM H150268)
40	H164714	SEAL	1	X X	
41	H164715	RETAINER	1	X X	

3F8

CLEANING SHOE

CHAFFER FRAME
HP9571 -UN-11FEB00



HP9571

3F9

CLEANING SHOE

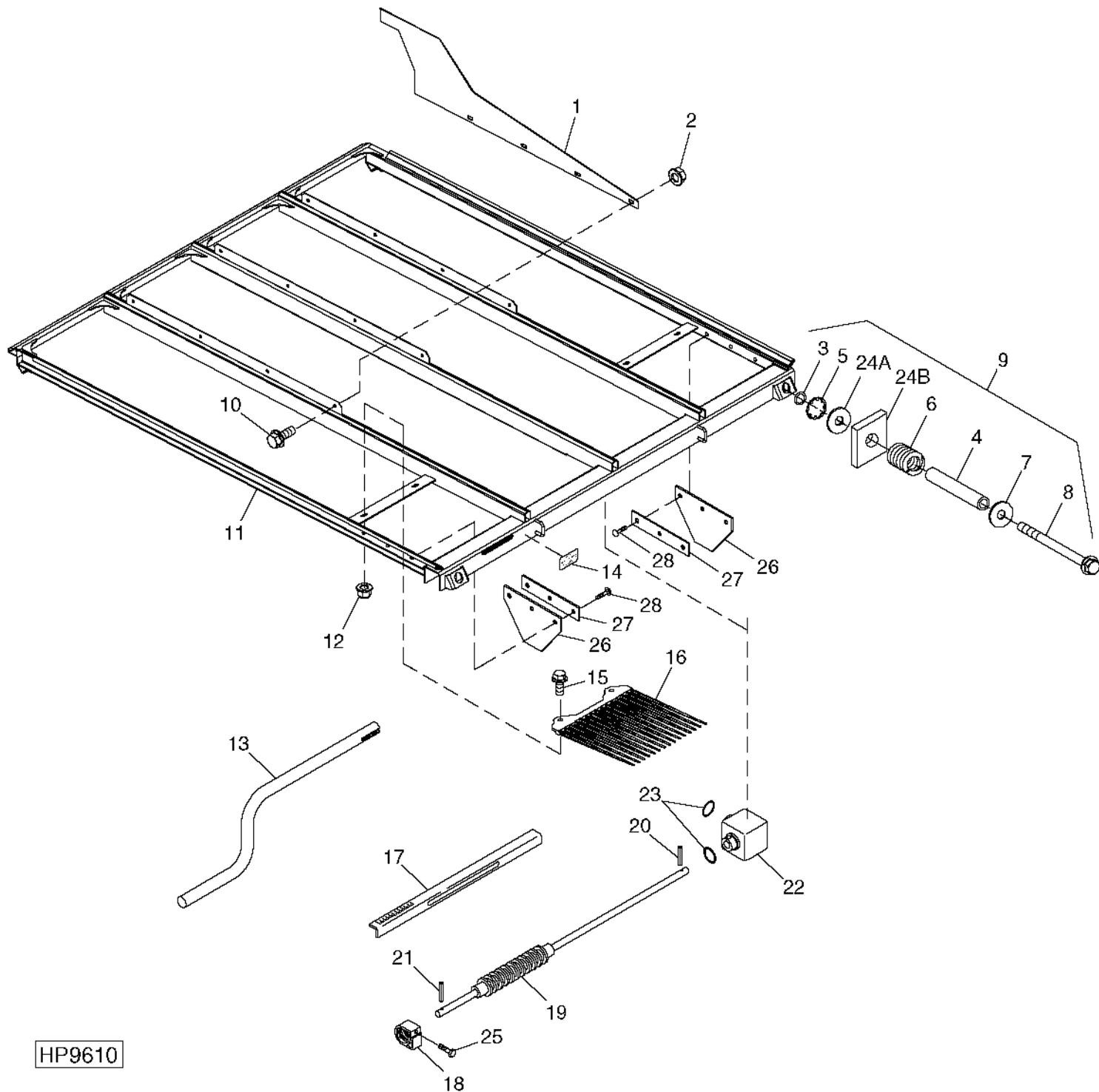
CHAFFER FRAME - CONTINUED

KEY	PART NO.	PART NAME	QTY	SERIAL NO.	REMARKS
				9 9	
				6 7	
				5 5	
				0 0	
1	H166354	DEFLECTOR	2	X X	
2	H166352	DEFLECTOR	2	X X	
3	H163492	DEFLECTOR	1	X X	
4	H166353	DEFLECTOR	2	X X	
5	H166355	DEFLECTOR	2	X X	
6	19M7866	SCREW	AR	X X	M8 X 20
7	14M7298	FLANGE NUT	AR	X X	M8
8	AH152122	SUPPORT	1	X X	
9	19M7843	SCREW	2	X X	M16 X 35
10	AH164487	SHEET	1	X X	
11	19M7784	SCREW	AR	X X	M10 X 20
12	14M7296	FLANGE NUT	AR	X X	M10
13	H172224	SEAL	2	X X	
14	M64720	RIVET	40	X X	
15	AH155190	PARTITION	3	X X	
16	AH156719	DEFLECTOR	1	X X	
17	AH164851	CHANNEL	1	X X	
18	H172225	SEAL	1	X X	
19	AH164488	SHEET	1	X X	
20	19M7786	SCREW	1	X X	M10 X 30
21	H174330	SEAL	2	X X	(SUB FOR H157860)
22	34M7010	SPRING PIN	1	X X	3 X 20 MM
23	H30843	O-RING	2	X X	
24	AH162454	GEAR CASE	1	X X	
25	AH162344	SHAFT	1	X X	
26	H164574	NUT	1	X X	
27	34H251	SPRING PIN	1	X X	1/8" X 1"
28	H171806	TRUNNION	1	X X	
29	H164575	INDICATOR	1	X X	
30	14M7396	LOCK NUT	1	X X	M8
31	H169891	SPRING	1	X X	
32	H171934	INDICATOR	1	X X	
33	03M7186	BOLT	1	X X	M8 X 30
34	H174330	SEAL	2	X X	

3F10

CLEANING SHOE

CHAFFER AND ELEMENT ADJUST
HP9610 -UN-08MAR00



HP9610

3F11

CLEANING SHOE

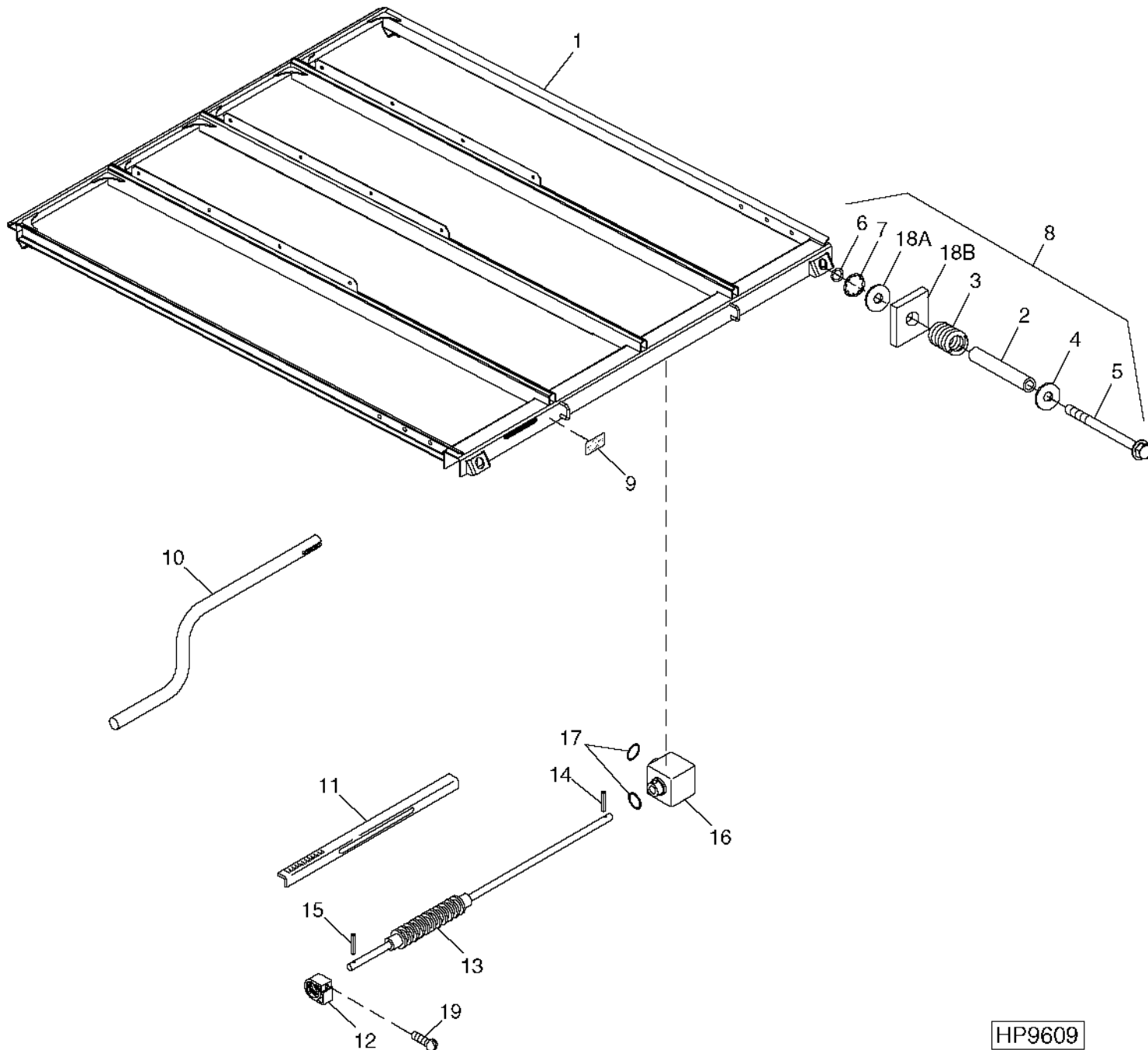
CHAFFER AND ELEMENT ADJUST - CONTINUED

KEY	PART NO.	PART NAME	QTY	SERIAL NO.	9 6 5 0	9 7 5 0	REMARKS
1	H159741	PARTITION	3		X	X	
2	14M7298	FLANGE NUT	AR		X	X	M8
3	R26286	O-RING	2		X	X	
4	H169836	SPACER	2		X	X	
5	H171075	RETAINER	2		X	X	
6	N14279	COMPRESSION SPRING	2		X	X	
7	24M7180	WASHER	2		X	X	13 X 37 X 3 MM
8	H170071	SCREW	2		X	X	
9	AH165012	MOUNTING PARTS	2	-685741	X		
	AH165012	MOUNTING PARTS	2	-685754		X	
	AH167576	MOUNTING PARTS	2	685742-	X		
	AH167576	MOUNTING PARTS	2	685755-		X	
10	19M7866	SCREW	AR		X	X	M8 X 20
11	AH154460	CHAFFER	1		X	X	GENERAL PURPOSE
	AH161895	CHAFFER	1		X	X	DEEP TOOTH
12	14M7296	FLANGE NUT	AR		X	X	M10
13	H160032	WRENCH	1		X	X	
14	H168475	INSTRUCTION PLATE	1		X	X	
15	19M7786	SCREW	AR		X	X	M10 X 30
16	H132161	FINGER	1		X	X	
17	H164575	INDICATOR	1		X	X	
18	H164574	NUT	1		X	X	
19	AH162344	SHAFT	1		X	X	
20	34M7010	SPRING PIN	1		X	X	3 X 20 MM
21	34H251	SPRING PIN	1		X	X	1/8" X 1"
22	AH162454	GEAR CASE	1		X	X	
23	H30843	O-RING	2		X	X	
24A	24H1265	WASHER	2	-685741	X		13/16" X 1-1/4" X 0.060"
	24H1265	WASHER	2	-685754		X	13/16" X 1-1/4" X 0.060"
24B	H173433	STRAP	2	685742-		X	
	H173433	STRAP	2	685755-		X	
25	21M7285	SCREW	1		X	X	M6 X 12
26	H161391	SEAL	2		X	X	
27	H161614	RETAINER	2		X	X	
28	M64720	RIVET	6		X	X	

3F12

CLEANING SHOE

SIEVE AND ELEMENT ADJUST
HP9609 -UN-08MAR00



HP9609

3F13

CLEANING SHOE

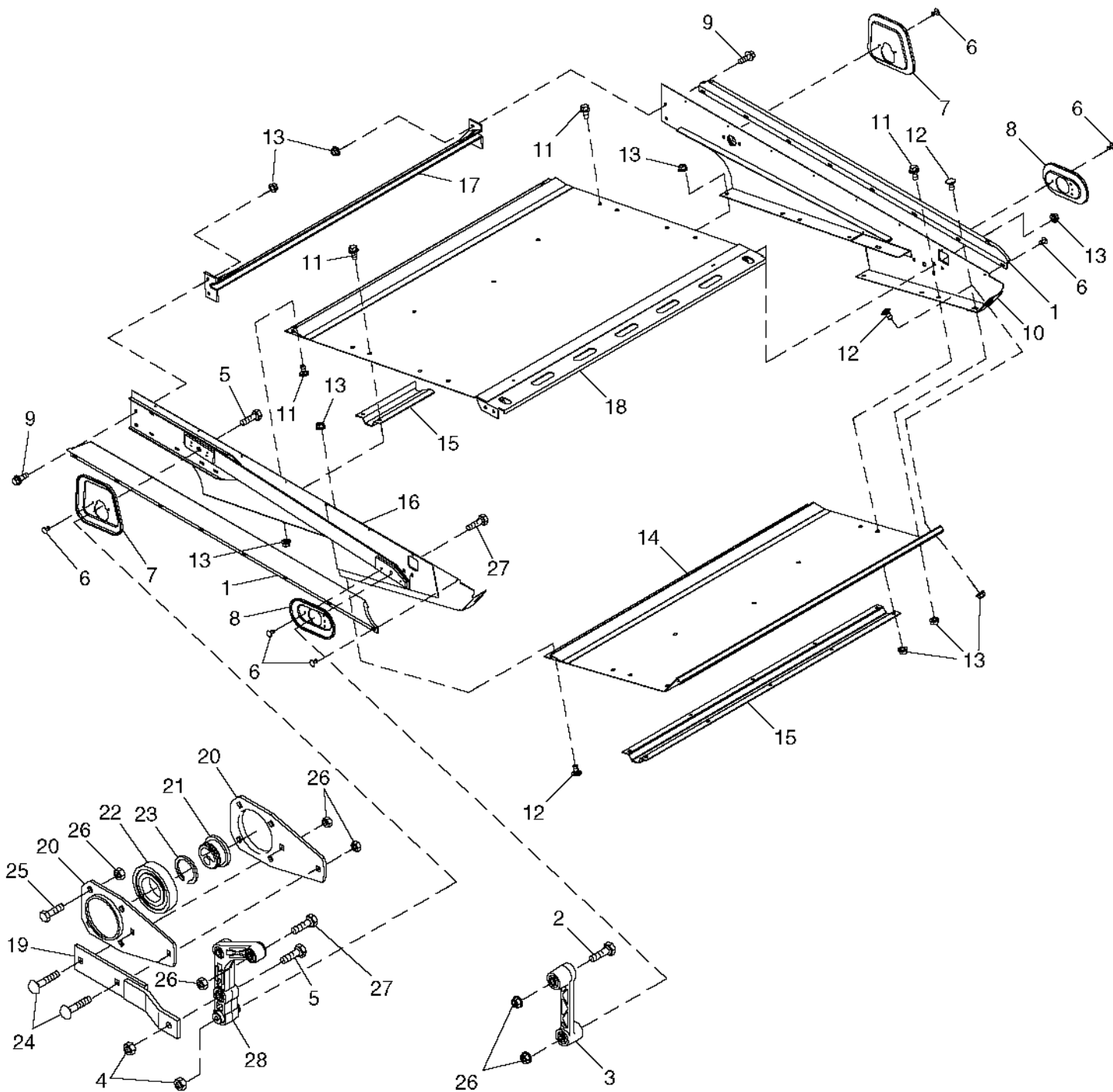
SIEVE AND ELEMENT ADJUST - CONTINUED

KEY	PART NO.	PART NAME	QTY	SERIAL NO.	9 6 5 0	9 7 5 0	REMARKS
1	AH148909	SIEVE	1		X	X	GENERAL PURPOSE
	AH161861	SIEVE	1		X	X	3.0MM FIXED HOLE
	AH162605	SIEVE	1		X	X	DEEP TOOTH
	AH166545	SIEVE	1		X	X	10MM FIXED HOLE
	AH169688	SIEVE	1		X	X	12.5MM HOLE
2	H169836	SPACER	1		X	X	12.700 X 19.050 X 137.500 MM
3	N14279	COMPRESSION SPRING	1		X	X	
4	24M7180	WASHER	1		X	X	13 X 37 X 3 MM
5	H170071	SCREW	1		X	X	
6	R26286	O-RING	1		X	X	
7	H171075	RETAINER	1		X	X	
8	AH165012	MOUNTING PARTS	1	-685741	X		
	AH165012	MOUNTING PARTS	1	-685754		X	
	AH167576	MOUNTING PARTS	1	685742-		X	
	AH167576	MOUNTING PARTS	1	685755-		X	
9	H168475	INSTRUCTION PLATE	1		X	X	
10	H160032	WRENCH	1		X	X	
11	H164575	INDICATOR	1		X	X	
12	H164574	NUT	1		X	X	
13	AH162344	SHAFT	1		X	X	
14	34M7010	SPRING PIN	1		X	X	3 X 20 MM
15	34H251	SPRING PIN	1		X	X	1/8" X 1"
16	AH162454	GEAR CASE	1		X	X	
17	H30843	O-RING	1		X	X	
18A	24H1265	WASHER	2	-685741	X		13/16" X 1-1/4" X 0.060"
	24H1265	WASHER	2	-685754		X	13/16" X 1-1/4" X 0.060"
18B	H173433	STRAP	2	685742-		X	
	H173433	STRAP	2	685755-		X	
19	21M7285	SCREW	1		X	X	M6 X 12

3F14

CLEANING SHOE

SIEVE FRAME
HP8407 -UN-25JUN99



HP8407

3F15

CLEANING SHOE

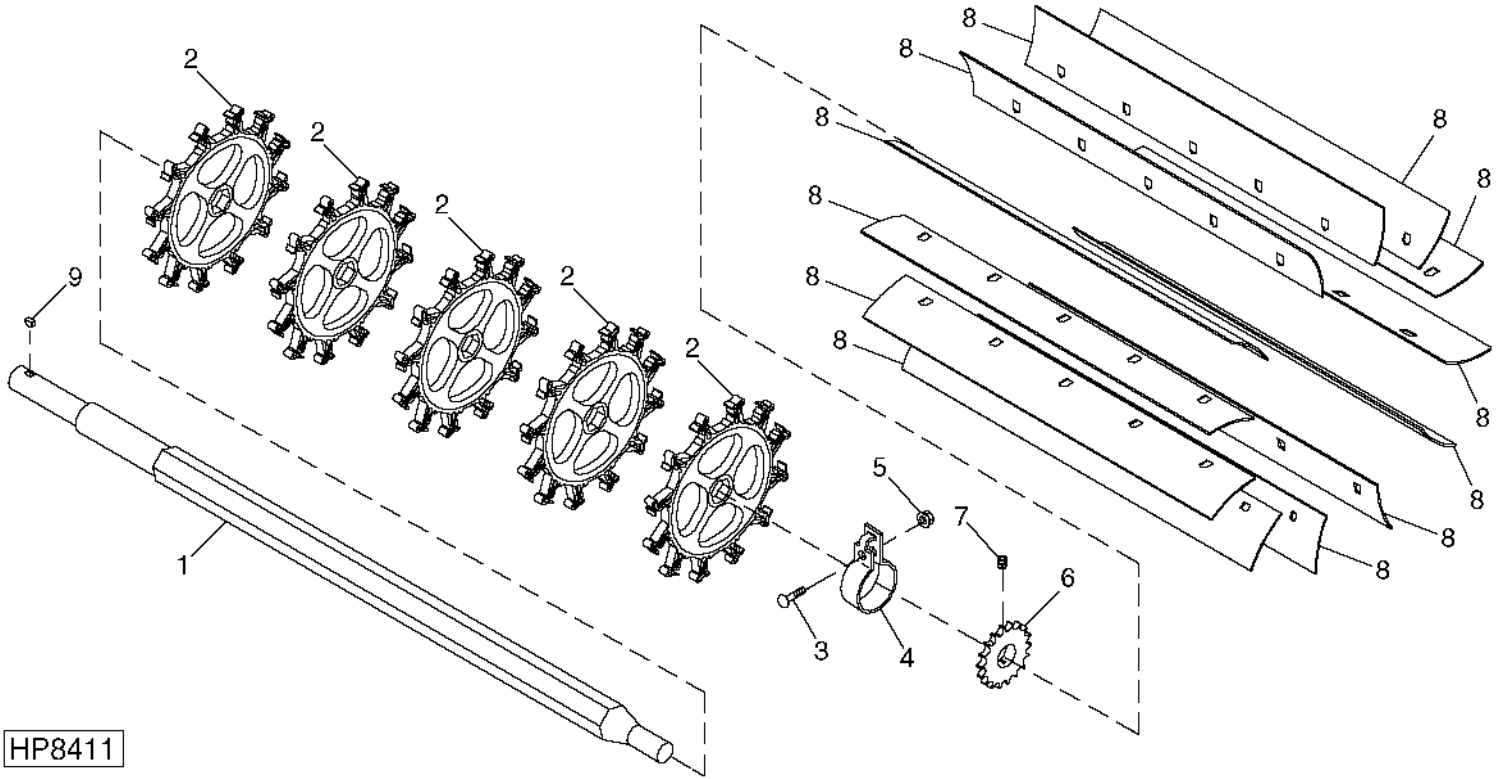
SIEVE FRAME - CONTINUED

KEY	PART NO.	PART NAME	QTY	SERIAL NO.	REMARKS
				9 9	
				6 7	
				5 5	
				0 0	
1	H154016	SEAL	2	X X	
2	19M7820	SCREW	2	X X	M12 X 100
3	AH138230	LINK	2	X X	
4	14M7291	FLANGE NUT	4	X X	M16
5	19M7829	SCREW	4	X X	M16 X 130
6	M64720	RIVET	AR	X X	4.775 MM
7	H172225	SEAL	2	X X	
8	H172224	SEAL	2	X X	
9	19M7786	SCREW	4	X X	M10 X 30
10	AH166671	SHEET	1	X X	
11	19M7784	SCREW	24	X X	M10 X 20
12	03M7307	BOLT	6	X X	M10 X 25
13	14M7296	FLANGE NUT	34	X X	M10
14	AH147606	SHEET	1	X X	
15	H154009	REINFORCEMENT	2	X X	
16	AH166670	SHEET	1	X X	
17	AH151325	CHANNEL	1	X X	
18	AH166669	SHEET	1	X X	
19	H152147	ADJUSTING STRAP	2	X X	
20	H134118	PRESSED FLANGED HOUSING	2	X X	
21	H133601	CAM	1	X X	
	H133600	CAM	1	X X	
22	AH125975	BALL BEARING	2	X X	
23	R43383	SNAP RING	2	X X	
24	03M7202	BOLT	4	X X	M12 X 50
25	03M7198	BOLT	8	X X	M12 X 30
26	14M7299	FLANGE NUT	AR	X X	M12
27	H154928	BOLT	4	X X	
28	AH146568	ARM	2	X X	

3F16

CLEANING SHOE

CLEANING FAN ROTOR ASSEMBLY
HP8411 -UN-13JUL99



HP8411

9 9
6 7
5 5
0 0

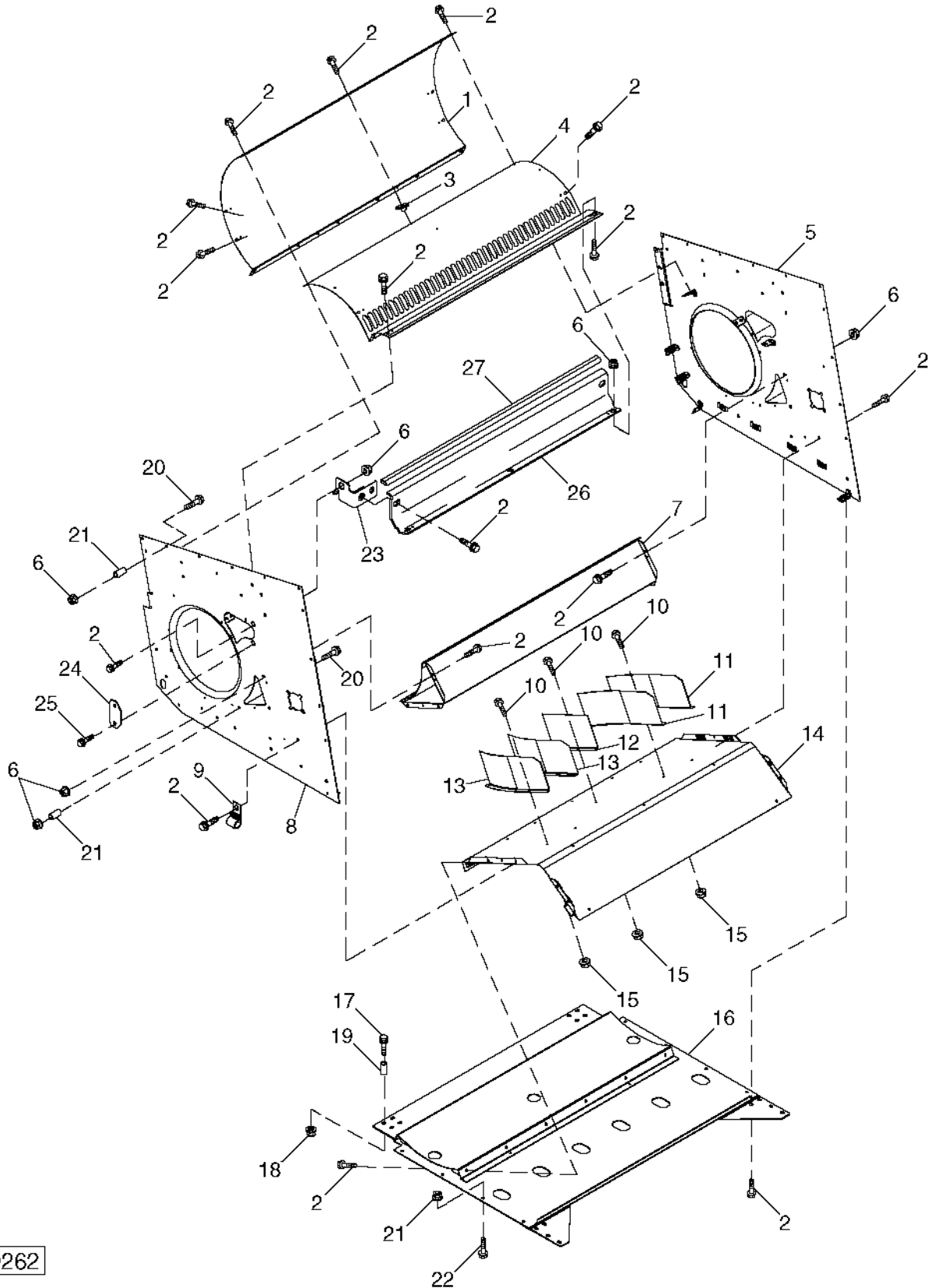
KEY	PART NO.	PART NAME	QTY	SERIAL NO.	REMARKS
1	H152538	SHAFT	1	X X	
2	H152057	WHEEL	5	X X	
3	03M7216	BOLT	2	X X	M8 X 50
4	H130695	CLAMP	2	X X	
5	14M7298	FLANGE NUT	2	X X	M8
6	H122372	WHEEL	1	X X	
7	22M7027	SET SCREW	1	X X	M6 X 16
8	H158420	BLADE	1	X X	
9	26M6731	SHAFT KEY	1	X X	6 X 25 MM

MEMORANDA

3F17

CLEANING SHOE

CLEANING FAN COVERS AND SUPPORTS
HP9262 -UN-16NOV99



HP9262

3F18

CLEANING SHOE

CLEANING FAN COVERS AND SUPPORTS - CONTINUED

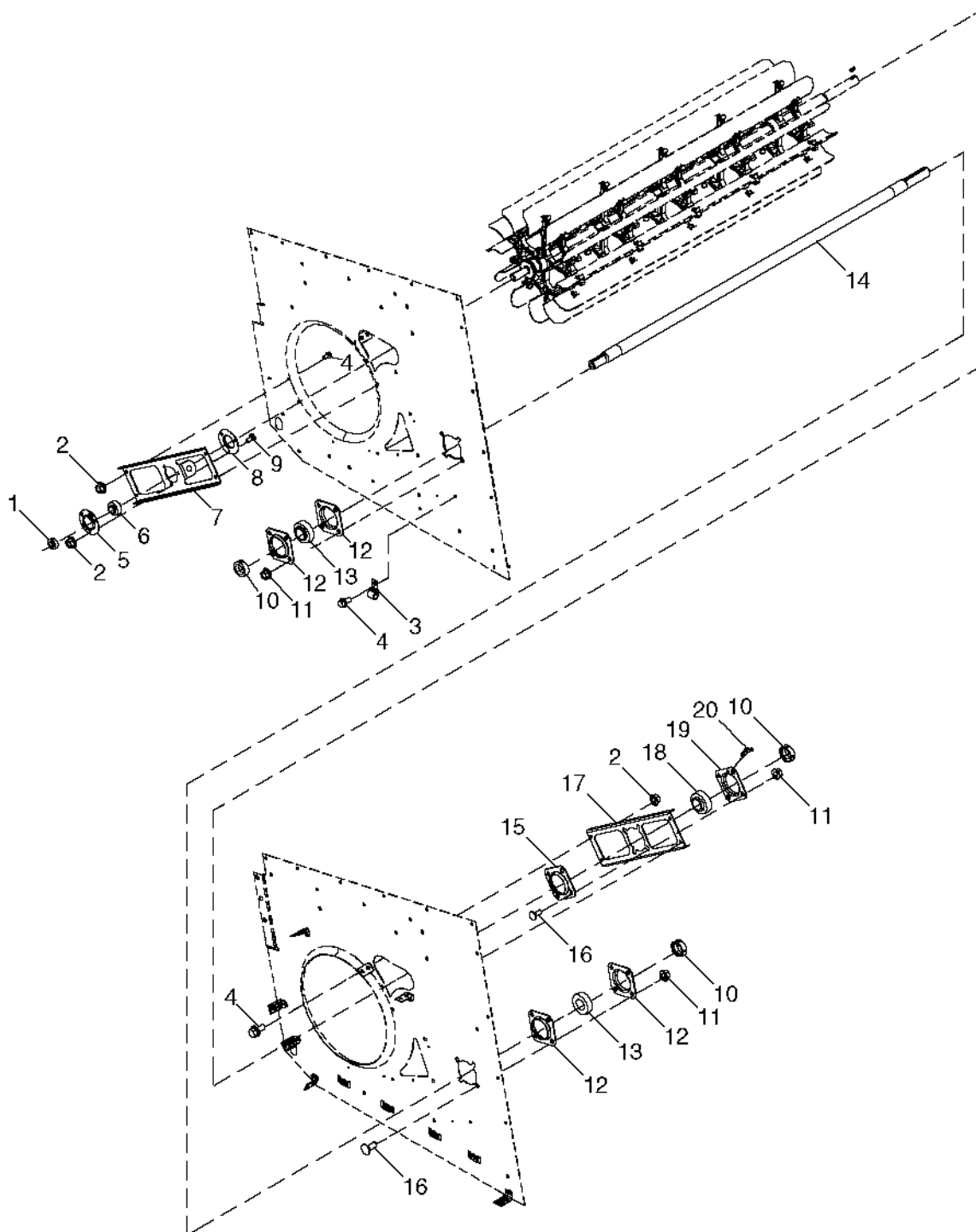
KEY	PART NO.	PART NAME	QTY	SERIAL NO.	REMARKS
				9 9	
				6 7	
				5 5	
				0 0	
1	H152534	SHEET	1		
2	19M7784	SCREW	AR	X X	M10 X 20
3	H146457	NUT	1	X X	
4	H152532	SHEET	1	X X	
5	AH146782	SHEET	1	X X	
6	14M7296	FLANGE NUT	AR	X X	M10
7	AH149663	SHEET	1	X X	
8	AH146781	SHEET	1	X X	
9	AH89557	CLIP	3	X X	
10	19M7866	SCREW	10	X X	M8 X 20
11	H156654	VANE	2	X X	
12	H153132	DEFLECTOR	1	X X	
13	H156653	VANE	2	X X	
14	AH147688	FLOOR	1	X X	
15	14M7298	FLANGE NUT	10	X X	M8
16	AH146780	SUPPORT	1	X X	
17	19M7818	SCREW	8	X X	M12 X 80
18	14M7299	FLANGE NUT	8	X X	M12
19	28H2611	SPACER	8	X X	0.546" X 0.840" X 2"
20	19M7804	SCREW	18	X X	M10 X 40
21	H123918	SPACER	18	X X	
22	19M7785	SCREW	AR	X X	M10 X 25
23	AH166482	BRACKET	1	X X	L.H.
	AH166590	BRACKET	1	X X	R.H.
24	H172235	PLATE	2	X X	
25	37M7086	SCREW	4	X X	M10 X 20
26	H172233	PANEL	1	X X	
27	AH80335	WEATHERSTRIP	1	X X	

3F19

CLEANING SHOE

CLEANING FAN SHAFT AND BEARINGS

HP8184 -UN-09APR99



HP8184

3F20

CLEANING SHOE

CLEANING FAN SHAFT AND BEARINGS - CONTINUED

KEY	PART NO.	PART NAME	QTY	SERIAL NO.	REMARKS
				9 9	
				6 7	
				5 5	
				0 0	
1	AZ10044	ECCENTRIC LOCKING COLLAR	1		
2	14M7296	FLANGE NUT	AR	X X	M10
3	AH89557	CLIP	1	X X	
4	19M7784	SCREW	AR	X X	
5	AE26118	PRESSED FLANGED HOUSING	1	X X	
6	JD9490	BALL BEARING	1	X X	
7	H152527	SUPPORT	1	X X	
8	N52258	PRESSED FLANGED HOUSING	1	X X	
9	03M7184	BOLT	3	X X	M8 X 20
10	AL14674	ECCENTRIC LOCKING COLLAR	3	X X	
11	14M7299	FLANGE NUT	4	X X	M12
12	H133621	PRESSED FLANGED HOUSING	1	X X	
13	JD39109	BALL BEARING	2	X X	
14	H133598	SHAFT	1	X X	
15	H113625	PRESSED FLANGED HOUSING	1	X X	
16	03M7198	BOLT	8	X X	M12 X 30
17	H152528	SUPPORT	4	X X	
18	AH139297	BALL BEARING	1	X X	
19	H113626	PRESSED FLANGED HOUSING	1	X X	
20	JD7788	LUBRICATION FITTING	1	X X	

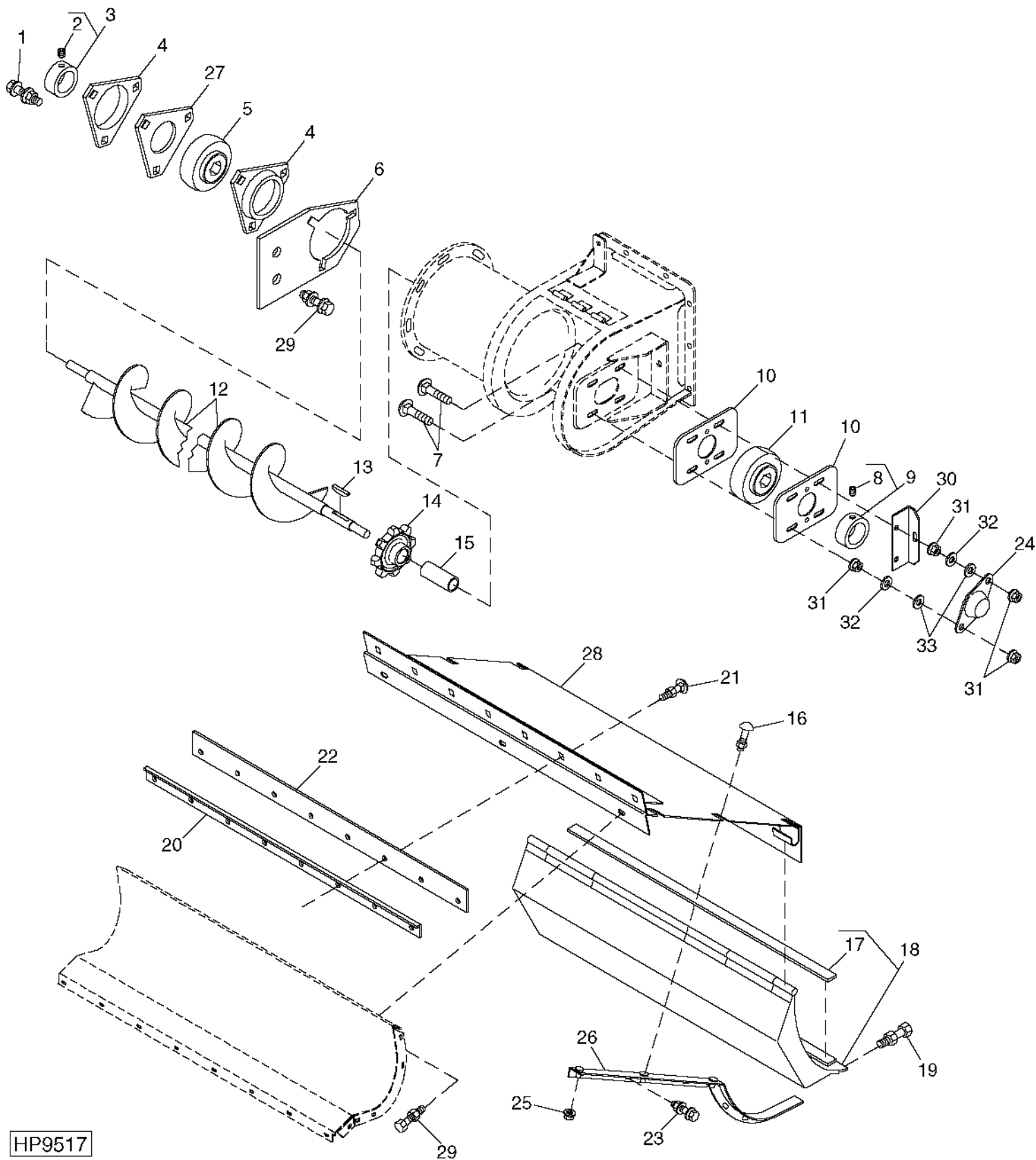
MEMORANDA

MEMORANDA

3F23

ELEVATORS

CLEAN GRAIN LOWER AUGER AND HINGED DOOR
HP9517 -UN-25FEB00



HP9517

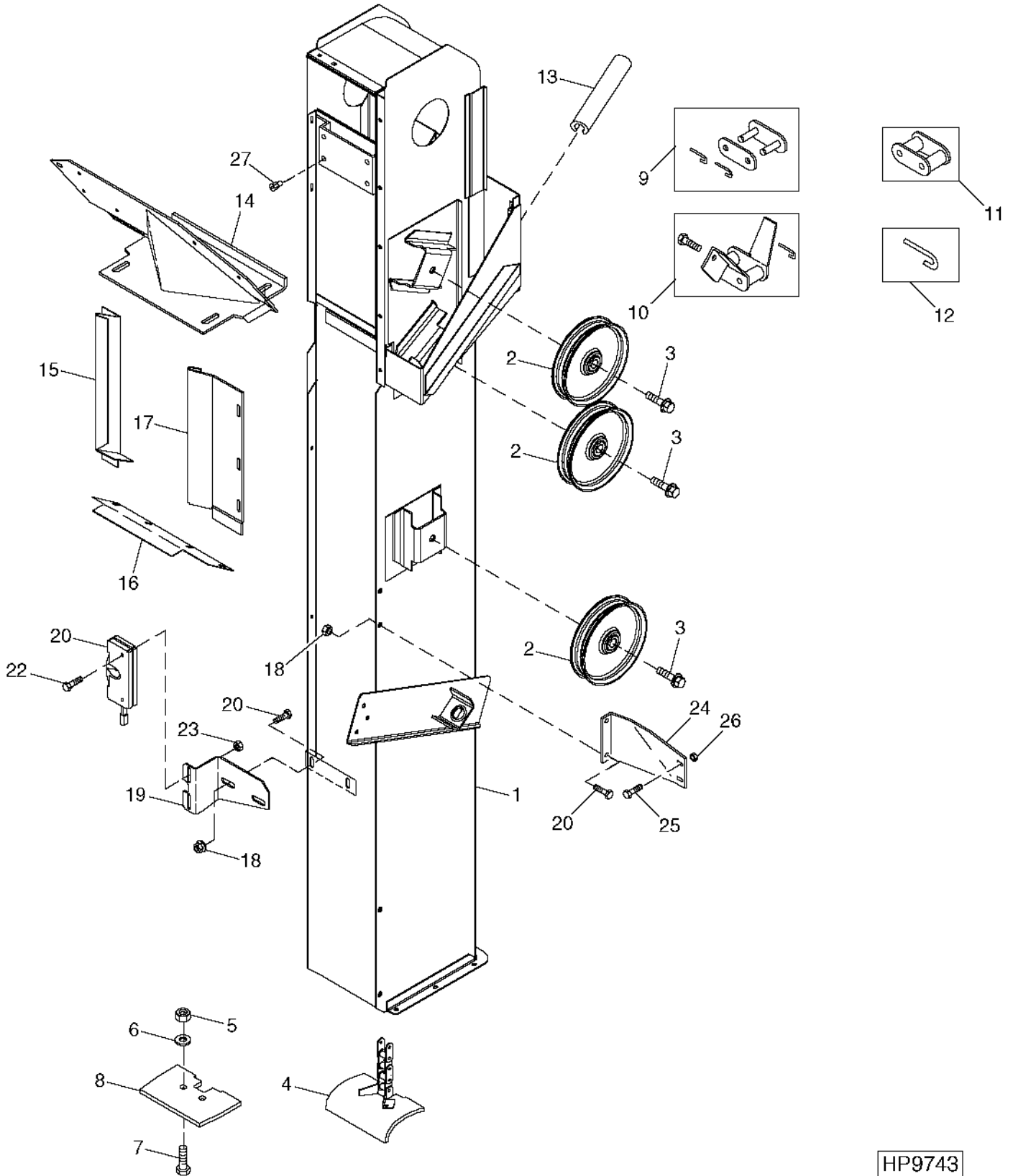
3F24

CLEAN GRAIN LOWER AUGER AND HINGED DOOR - CONTINUED

KEY	PART NO.	PART NAME	QTY	SERIAL NO.	REMARKS
				9 9	
				6 7	
				5 5	
				0 0	
1	19M7867	SCREW	3	X X	M8 X 25
	14M7298	FLANGE NUT	3	X X	M8
2	22M7079	SET SCREW	1	X X	M6 X 6
3	AZ10044	ECCENTRIC LOCKING COLLAR	1	X X	
4	H103264	PRESSED FLANGED HOUSING	2	X X	
5	JD39102	BALL BEARING	1	X X	
6	H153521	PLATE	1	X X	
7	03M7193	BOLT	4	X X	M10 X 35
	Z36140	WASHER	2	X X	
	14M7296	FLANGE NUT	4	X X	M10
8	22M7080	SET SCREW	1	X X	M8 X 8
9	AZ10045	ECCENTRIC LOCKING COLLAR	1	X X	
10	H152916	PRESSED FLANGED HOUSING	2	X X	
11	JD10384	BEARING	1	X X	
12	AH162154	AUGER	1	X X	
13	SHAFT KEY	1	X X	8 X 7 X 40 MM (IN AH141142 KEY STOCK KIT) (CUT FROM H150269)
14	H133143	CHAIN SPROCKET	1	X X	
15	H156711	SPACER	1	X X	
16	03M7183	BOLT	3	X X	M8 X 16
	14M7298	FLANGE NUT	3	X X	M8
17	H88773	ISOLATOR	AR	X X	CUT TO 1260 MM, 61-5/8". USE ONLY ON DOOR WITH PROTECTIVE PLATE.
18	AH139388	DOOR	1	X X	SOLID
	AH139389	DOOR	1	X X	PERFORATED
	AH139391	DOOR	1	X X	SOLID, WITH PROTECTIVE PLATE
19	19M7799	SCREW	5	X X	M8 X 45
	14M7396	LOCK NUT	5	X X	M8
20	H173311	REINFORCEMENT	1	X X	
21	03M7184	BOLT	8	X X	M8 X 20
	14M7396	LOCK NUT	8	X X	M8
22	H173384	SEAL	1	X X	
23	19M7866	SCREW	6	X X	M8 X 20
	14M7298	FLANGE NUT	6	X X	M8
24	H155968	COVER	1	X X	
25	14M7298	FLANGE NUT	3	X X	M8
26	AH149157	REINFORCEMENT	1	X X	
27	H152940	GASKET	1	X X	
28	AH147899	HINGE	1	X X	
29	19M7865	SCREW	AR	X X	M8 X 16
	14M7298	FLANGE NUT	AR	X X	M8
30	H152914	BRACKET	1	X X	CHAIN ADJUSTMENT
31	14M7296	FLANGE NUT	7	X X	M10
32	24H1307	WASHER	2	X X	13/32" X 1" X 1/16"
33	Z36140	WASHER	2	X X	

3G1

CLEAN GRAIN ELEVATOR
HP9743 -UN-10MAY00



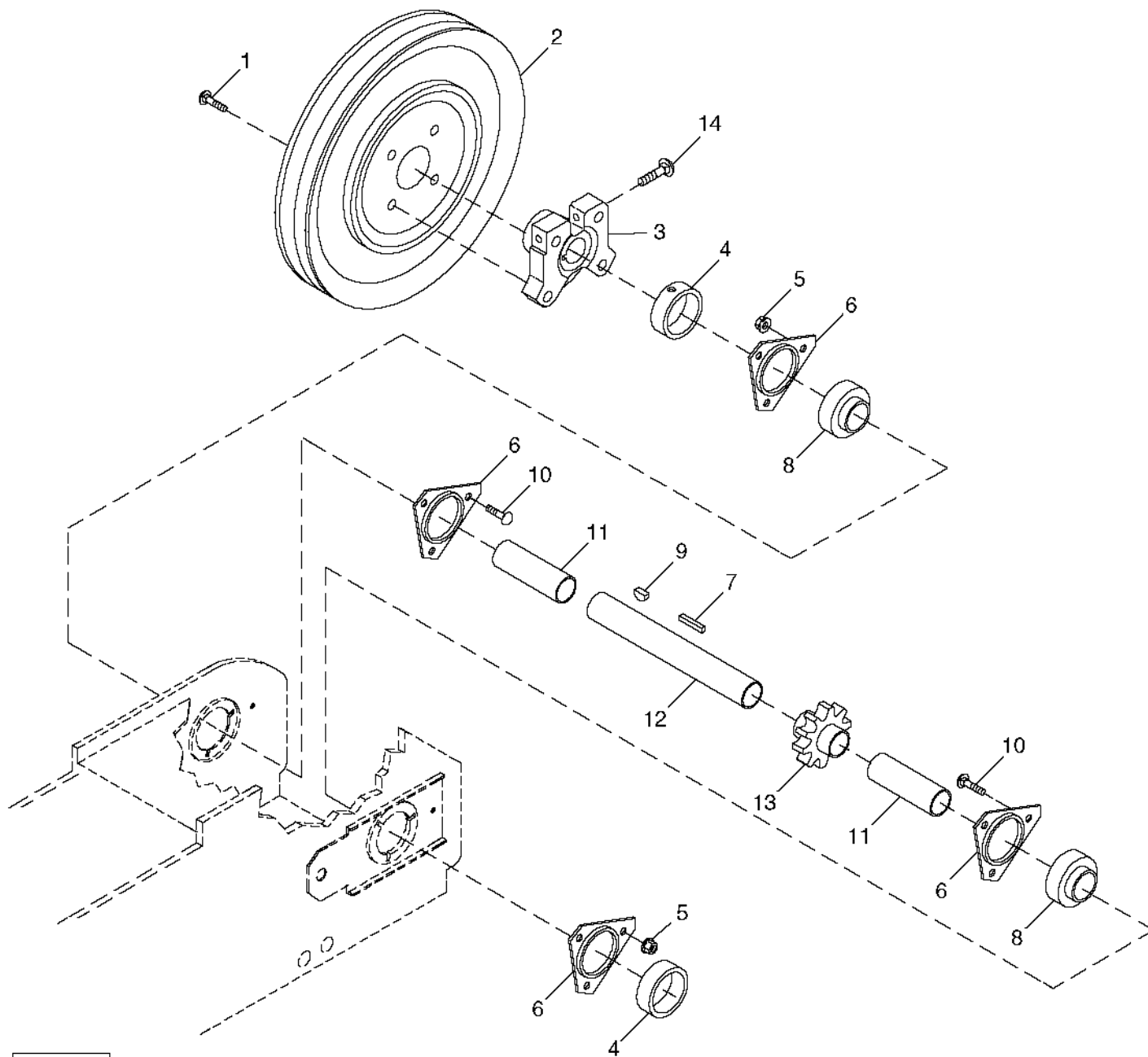
HP9743

CLEAN GRAIN ELEVATOR - CONTINUED

KEY	PART NO.	PART NAME	QTY	SERIAL NO.	REMARKS
				9 9	
				6 7	
				5 5	
				0 0	
1	AH149062	ELEVATOR	1	X X	
2	AH94450	IDLER	3	X X	
3	19M7824	SCREW	3	X X	M16 X 60
4	AH162059	LINK CHAIN	1	X X	
5	E64256	LOCK NUT	68	X X	
6	H168578	SPACER	68	X X	
7	19M7867	SCREW	68	X X	M8 X 25
8	H144667	PADDLE	34	X X	RUBBER
	H169412	PADDLE	AR	X X	STEEL
9	AH166638	LINK	1	X X	CONNECTOR (CA550HD)
10	AH166639	LINK	1	X X	OFFSET (CA550HD)
11	AH166640	LINK	1	X X	ROLLER (CA550HD)
12	H84026	HOOK	AR	X X	
13	AH80335	WEATHERSTRIP	1	X X	
14	AH148068	ELEVATOR	1	X X	
15	H154696	SEAL	1	X X	
16	H154698	SEAL	1	X X	
17	H154697	SEAL	1	X X	
18	14M7296	FLANGE NUT	4	X X	M10
19	H167449	ANGLE	1	X X	
20	19M7784	SCREW	4	X X	M10 X 20
21	AH167031	LATCH	1	X X	
22	19M7796	SCREW	2	X X	M6 X 30
23	14M7303	FLANGE NUT	2	X X	M6
24	H156744	BRACKET	1	X X	
25	19M7803	SCREW	2	X X	M8 X 70
26	14M7298	FLANGE NUT	2	X X	M8
27	H154071	NUT	4	X X	M8

UPPER CLEAN GRAIN ELEVATOR SHAFT, SPROCKET AND SHEAVE

HP9514 -UN-25JAN00

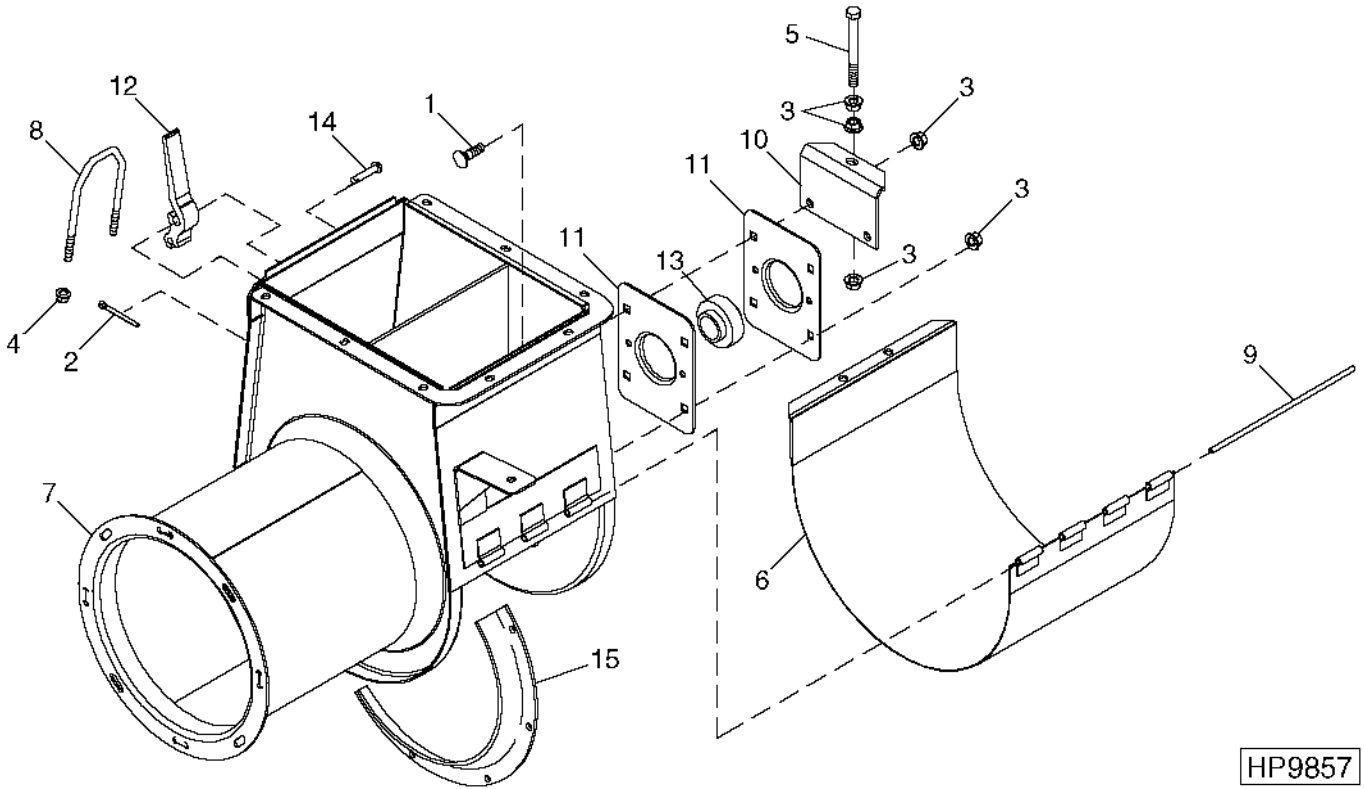


HP9514

UPPER CLEAN GRAIN ELEVATOR SHAFT, SPROCKET AND SHEAVE - CONTINUED

KEY	PART NO.	PART NAME	QTY	SERIAL NO.	REMARKS
				9 9	
				6 7	
				5 5	
				0 0	
1	19M7784	SCREW	4	X X	M10 X 20
2	AH135463	SHEAVE	1	X X	
3	H134760	HUB	1	X X	
4	AZ10045	ECCENTRIC LOCKING COLLAR	2	X X	
5	14M7296	FLANGE NUT	6	X X	M10
6	E10018	PRESSED FLANGED HOUSING	4	X X	
7	49M6480	SHAFT KEY	1	X X	8 X 7 X 50 MM
8	JD39106	BALL BEARING	2	X X	
9	26M4228	SHAFT KEY	1	X X	8 X 28 MM
10	03M7190	BOLT	6	X X	M10 X 20
11	H157044	SPACER	2	X X	
12	H157043	SHAFT	1	X X	
13	H164796	SPROCKET SEGMENTS	1	X X	
14	19M7663	CAP SCREW	1	X X	M8 X 70

CLEAN GRAIN ELEVATOR BOOT ASSEMBLY
 HP9857 -UN-21JUN00



HP9857

9 9
 6 7
 5 5
 0 0

KEY	PART NO.	PART NAME	QTY	SERIAL NO.	REMARKS
1	03M7193	BOLT	4	X X	M10 X 35
2	11M7081	COTTER PIN	1	X X	2.500 X 20 MM
3	14M7296	FLANGE NUT	7	X X	M10
4	14M7396	LOCK NUT	2	X X	M8
5	19M8241	CAP SCREW	1	X X	M10 X 100
6	AH138426	DOOR	1	X X	
	AH154068	DOOR	1	X X	PERFORATED
7	AH171008	BOOT	1	X X	(SUB FOR AH148999)
8	H128877	U-BOLT	1	X X	
9	H76083	PIN	1	X X	
10	H152914	BRACKET	1	X X	
11	H152916	PRESSED FLANGED HOUSING	2	X X	
12	H161342	LEVER	1	X X	
13	JD10384	BEARING	1	X X	
14	RV810A	PIN	1	X X	
15	H175330	REINFORCEMENT	1	X X	WELD ON

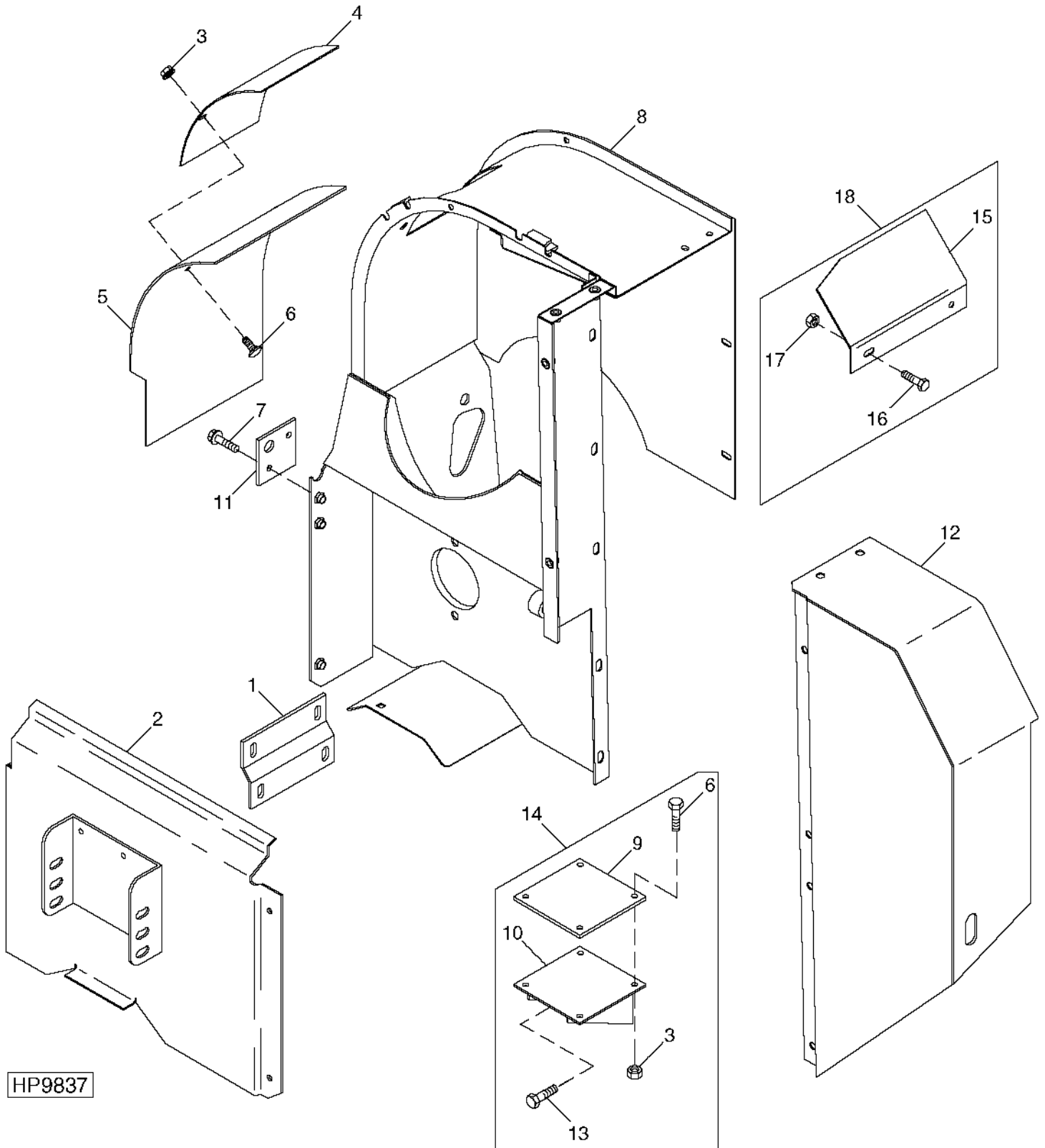
MEMORANDA

3G6

ELEVATORS

UPPER CLEAN GRAIN LOADING AUGER HOUSING

HP9837 -UN-22JUN00



HP9837

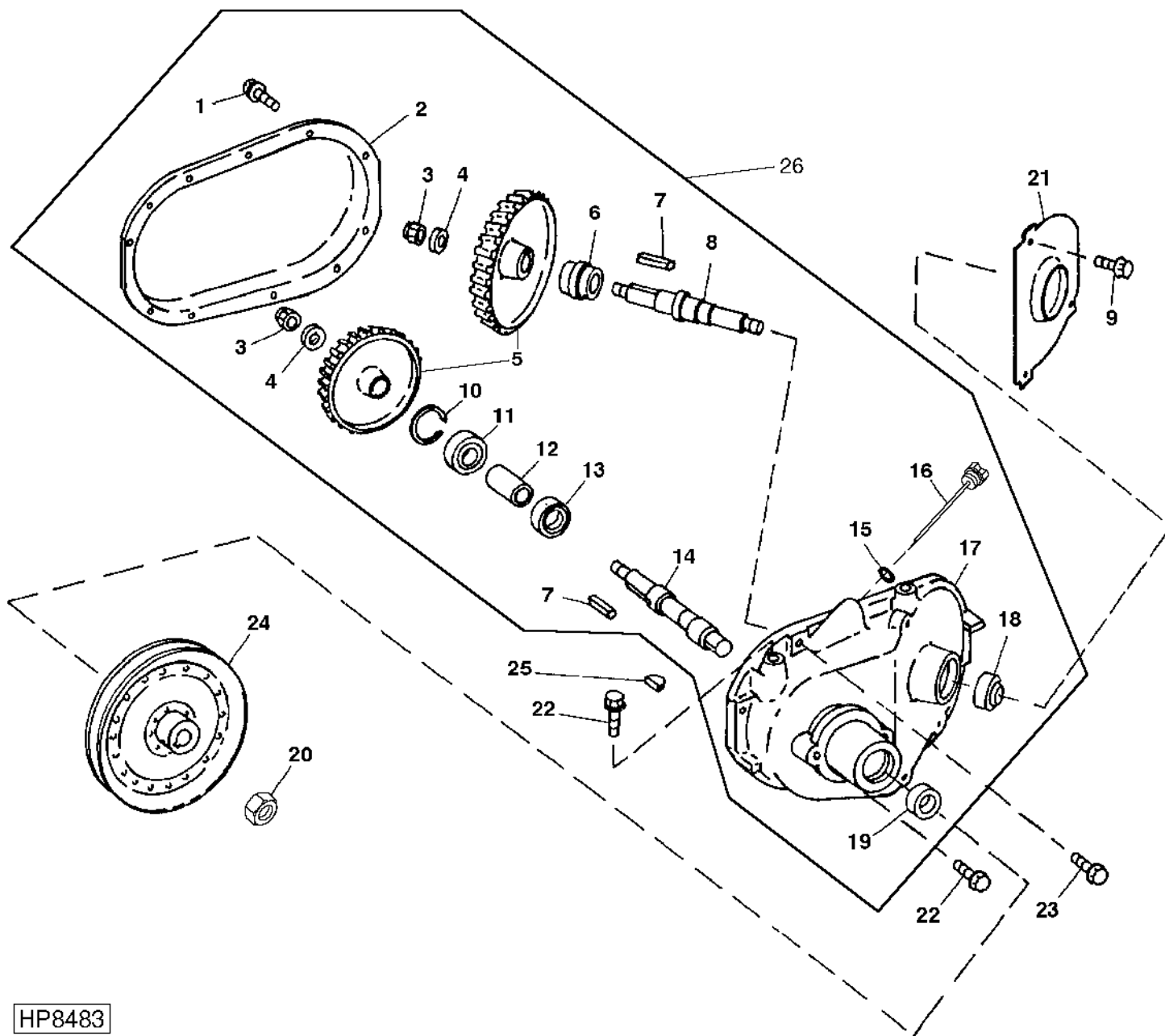
UPPER CLEAN GRAIN LOADING AUGER HOUSING - CONTINUED

KEY	PART NO.	PART NAME	QTY	SERIAL NO.	REMARKS
				9 9	
				6 7	
				5 5	
				0 0	
1	H157193	PLATE	1	X X	
2	AH149783	SHIELD	1	X X	
3	14M7298	FLANGE NUT	4	X X	M8
4	H171004	COVER	1	X X	W/O GREENSTAR
5	H167716	SHEET	1	X X	W/O GREENSTAR
	H167717	SHEET	1	X X	W/GREENSTAR
6	03M7184	BOLT	4	X X	M8 X 20
7	19M7791	SCREW	2	X X	M12 X 40
8	AH149781	HOUSING	1	X X	
9	H171184	SHEET	1	X X	W/GREENSTAR
10	AH165187	DEFLECTOR	1	X X	W/GREENSTAR
11	H157762	PLATE	1	X X	
12	AH149784	SHIELD	1	X X	
13	19M7866	SCREW	4	X X	M8 X 20, W/GREENSTAR
14	AH171007	DEFLECTOR	1	X X	
15	H172045	DEFLECTOR	1	X X	
16	19M7774	SCREW	2	X X	M6 X 12
17	14M7303	FLANGE NUT	2	X X	M6
18	AH170085	DEFLECTOR	1	X X	
..	H154071	NUT	4	X X	M8 GRIP NUT
..	H154370	NUT	6	X X	M10 GRIP NUT
..	BH81742	COMPLETE GOODS/SHIP. BUNDLE	1	X X	YIELD MAPPING FIELD CONVERSION
..	BH81758	COMPLETE GOODS/SHIP. BUNDLE	1	X X	MAPPING CONVERSION KIT
..	BH81760	COMPLETE GOODS/SHIP. BUNDLE	1	X X	MONITOR CONVERSION KIT

3G8

ELEVATORS

CLEAN GRAIN ELEVATOR GEARCASE AND SHEAVE
HP8483 -UN-14JUL99



HP8483

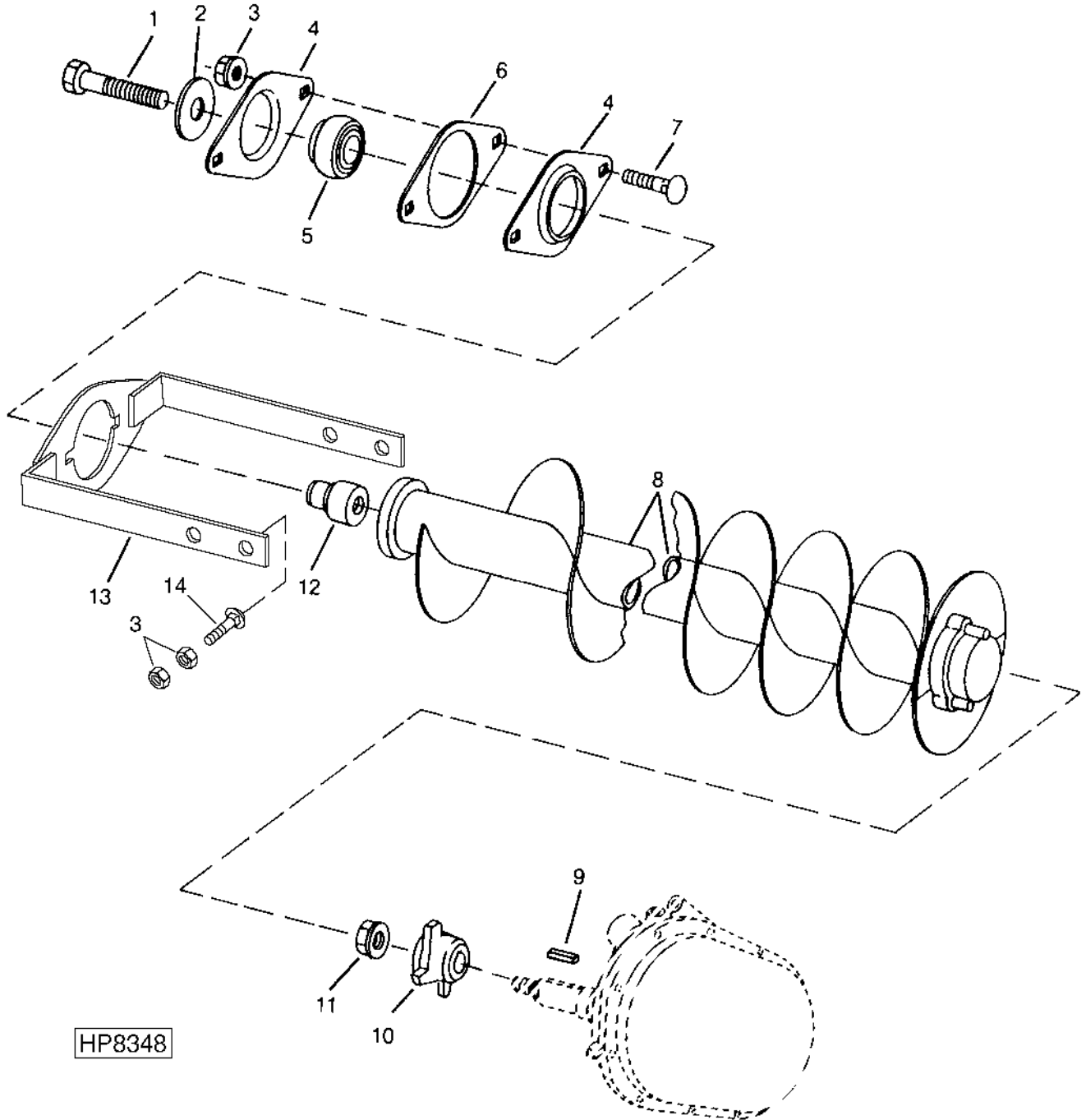
CLEAN GRAIN ELEVATOR GEARCASE AND SHEAVE - CONTINUED

KEY	PART NO.	PART NAME	QTY	SERIAL NO.	REMARKS
				9 9	
				6 7	
				5 5	
				0 0	
1	19M7407	CAP SCREW	11	X X	M8 X 25
	24H1685	WASHER	22	X X	11/32" X 47/64" X 0.083"
2	H135454	COVER	1	X X	
3	R69706	LOCK NUT	2	X X	
4	24H1825	WASHER	2	X X	11/16" X 1-1/2" X 0.194"
5	AH162230	KIT	1	X X	MATCHED SET (46 TEETH, 53 TEETH)
6	AE42998	BALL BEARING	1	X X	(CONTAINS CONE AND CUP)
7	49M4821	SHAFT KEY	2	X X	6 X 6 X 32 MM
8	H136209	SHAFT	1	X X	OUTPUT
9	19M7866	SCREW	3	X X	M8 X 20
10	P46874	SNAP RING	1	X X	
11	JD7689	BALL BEARING	1	X X	
12	28H3054	BUSHING	1	X X	1.278" X 1.660" X 2-15/32"
13	JD7681	BALL BEARING	1	X X	
14	H170967	SHAFT	1	X X	INPUT
15	R26375	O-RING	1	X X	
16	AH166047	DIPSTICK	1	X X	
17	CE18015	HOUSING	1	X X	
18	AH131860	SEAL	1	X X	
19	AH21815	SEAL	1	X X	
20	W39621	NUT	1	X X	
21	H137606	PLATE	1	X X	
22	19M7789	SCREW	4	X X	M12 X 30
23	19M7791	SCREW	2	X X	M12 X 40
24	AH164868	SHEAVE	1	X X	
25	26M7008	SHAFT KEY	1	X X	8 X 28 MM
26	DE19111	GEAR CASE	1	X X	
..	TY15130	SEALANT	1	X X	(03 OZ. TUBE) (CANADA PART NO TY9484)
..	TY6333	GREASE	1	X X	(14 OZ.) MULTI-PURPOSE

3G10

ELEVATORS

CLEAN GRAIN LOADING AUGER
HP8348 -UN-09JUL99



HP8348

3G11

ELEVATORS

CLEAN GRAIN LOADING AUGER - CONTINUED

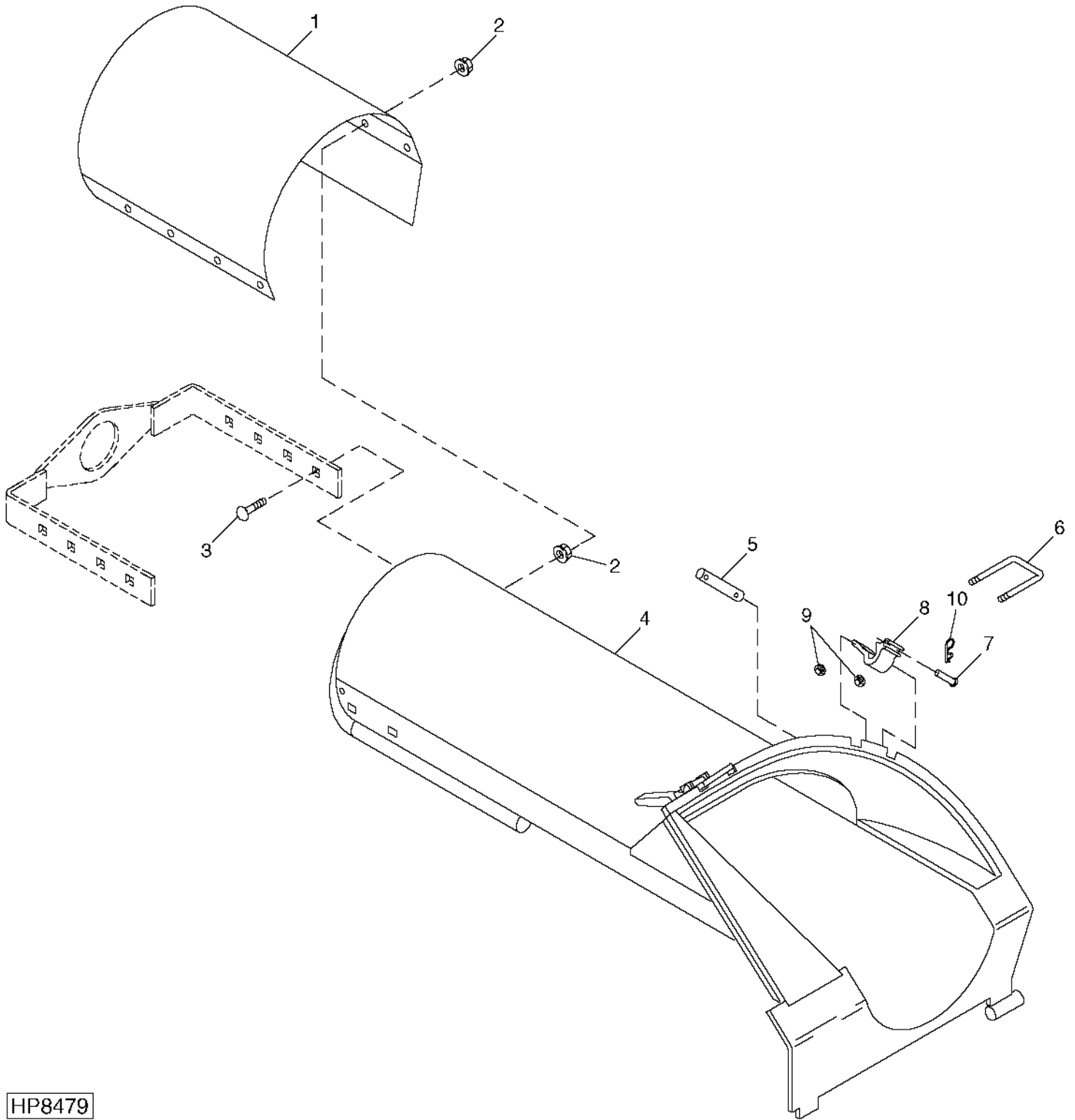
KEY	PART NO.	PART NAME	QTY	SERIAL NO.	9 9 6 7 5 5 0 0	REMARKS
1	19M7818	SCREW	1		X X	M12 X 80
2	24M7180	WASHER	1		X X	13 X 37 X 3 MM
3	14M7296	FLANGE NUT	10		X X	M10
4	N15764	PRESSED FLANGED HOUSING	2		X X	
5	JD9219	BALL BEARING	1		X X	
6	H137916	SHIM	2		X X	
7	03M7307	BOLT	2		X X	M10 X 25
8	AH154330	AUGER	1		X X	
9	49M4821	SHAFT KEY	1		X X	
10	H136186	AUGER	1		X X	
11	14M7291	FLANGE NUT	1		X X	M16
12	H137919	BUSHING	1		X X	
13	AH146834	SUPPORT	1		X X	
14	03M7193	BOLT	4		X X	M10 X 35

3G12

ELEVATORS

LOADING AUGER SPOUT ASSEMBLY

HP8479 -UN-09JUL99



HP8479

3G13

ELEVATORS

LOADING AUGER SPOUT ASSEMBLY - CONTINUED

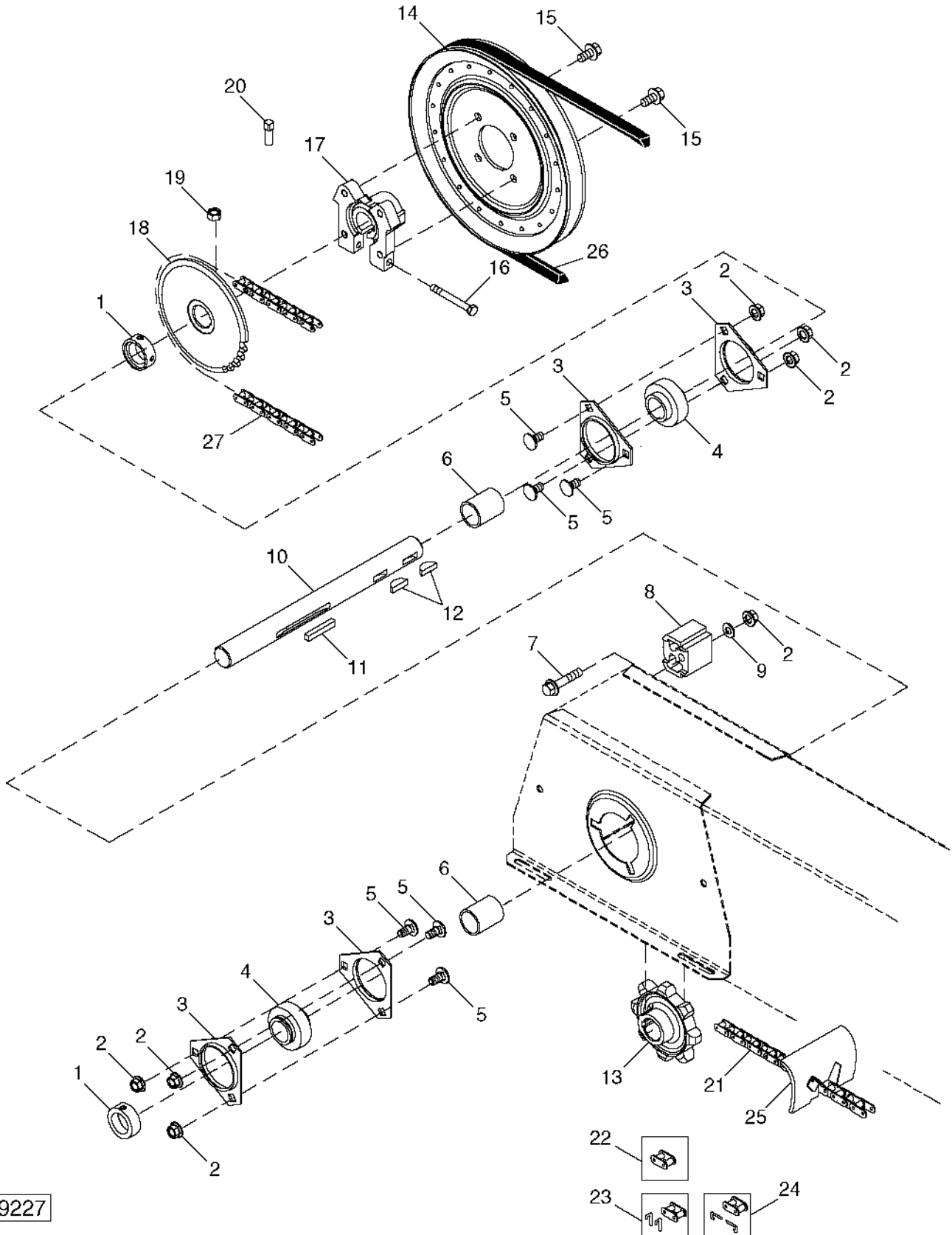
KEY	PART NO.	PART NAME	QTY	SERIAL NO.	9 6 5 0	9 7 5 0	REMARKS
1	H157192	DEFLECTOR	1		X	X	
2	14M7296	FLANGE NUT	8		X	X	M10
3	03M7193	BOLT	4		X	X	M10 X 35
4	AH149782	TUBE	1		X	X	
5	H161581	PIN	2		X	X	
6	H161346	U-BOLT	2		X	X	
7	RV810A	PIN	2		X	X	
8	H161342	LEVER	2		X	X	
9	H143731	NUT	4		X	X	
10	11M7081	COTTER PIN	1		X	X	2.500 X 20 MM

3G14

ELEVATORS

UPPER TAILINGS ELEVATOR SHAFT AND SHEAVE

HP9227 -UN-29OCT99



HP9227

3G15

ELEVATORS

UPPER TAILINGS ELEVATOR SHAFT AND SHEAVE - CONTINUED

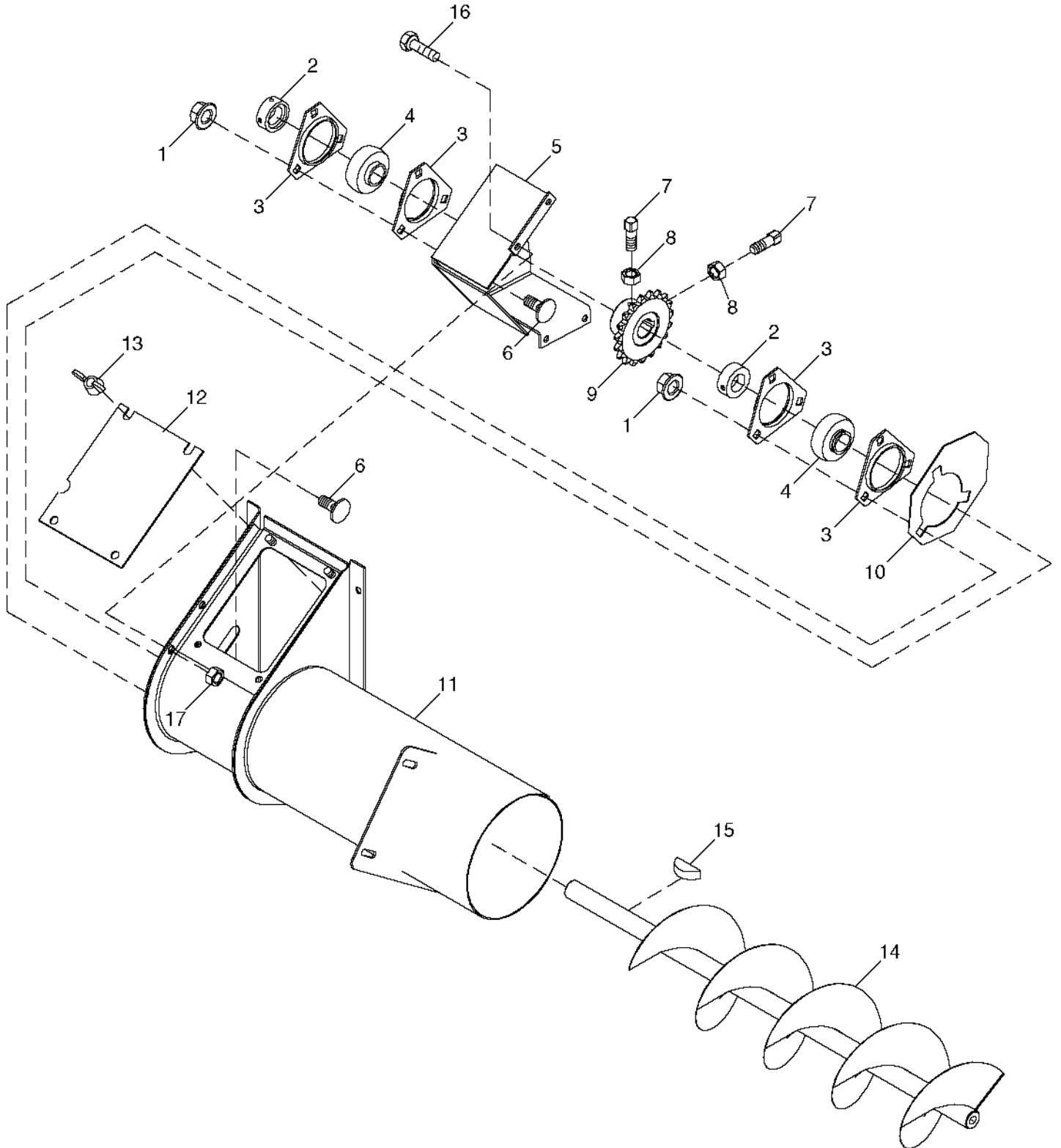
KEY	PART NO.	PART NAME	QTY	SERIAL NO.	REMARKS
				9 9	
				6 7	
				5 5	
				0 0	
1	AZ10045	ECCENTRIC LOCKING COLLAR	2	X X	
2	14M7296	FLANGE NUT	AR	X X	M10
3	E10018	PRESSED FLANGED HOUSING	4	X X	
4	JD39106	BALL BEARING	2	X X	
5	03M7190	BOLT	6	X X	M10 X 20
6	H155427	SPACER	2	X X	
7	19M7807	SCREW	1	X X	M10 X 60
8	H109736	TIGHTENER	1	X X	
9	24M7028	WASHER	3	X X	10.500 X 20 X 2 MM
10	H156938	SHAFT	1	X X	
11	49M6480	SHAFT KEY	1	X X	8 X 7 X 50 MM
12	26M4228	SHAFT KEY	2	X X	8 X 28 MM
13	H128576	CHAIN SPROCKET	1	X X	
14	AH147396	SHEAVE	1	X X	
15	19M7784	SCREW	4	X X	M10 X 20
16	19M7663	CAP SCREW	1	X X	M8 X 70
17	H134760	HUB	1	X X	
18	AH126008	CHAIN SPROCKET	1	X X	
19	14M7274	NUT	1	X X	M10
20	H138435	SET SCREW	1	X X	
21	AH148021	LINK CHAIN	1	X X	CA550 ROLLER CHAIN (19 PADDLES)
22	AH158635	CHAIN LINK	1	X X	CA550
23	AH137631	CHAIN LINK	1	X X	CA550
24	AH137630	CHAIN LINK	1	X X	CA550
25	H135235	PADDLE	19	X X	
	H86760	PADDLE	1	X X	CLEANING (STEEL)
	RIVET	38	X X	(SUB AH86897)
	H84026	HOOK	AR	X X	5 INCH
26	H154731	BELT	1	X X	
27	LINK CHAIN	1	X X	NO. 50 ROLLER (55 LINKS AND 1 COUPLER)

3G16

ELEVATORS

UPPER TAILINGS ELEVATOR SPOUT AND SHAFT

HP8481 -UN-13JUL99



HP8481

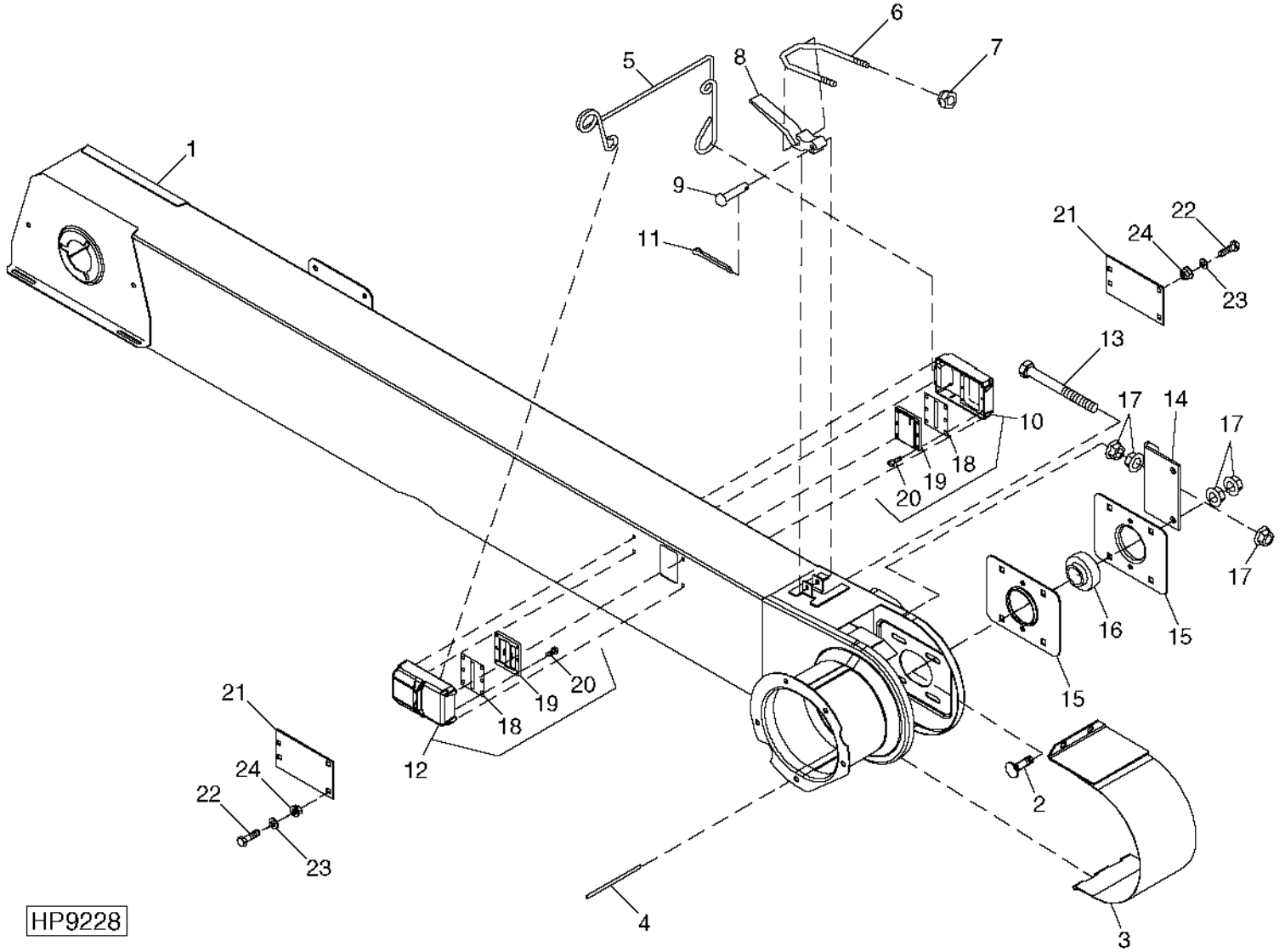
UPPER TAILINGS ELEVATOR SPOUT AND SHAFT - CONTINUED

KEY	PART NO.	PART NAME	QTY	SERIAL NO.	REMARKS
				9 9	
				6 7	
				5 5	
				0 0	
1	14M7296	FLANGE NUT	6	X X	M10
2	AH129452	ECCENTRIC LOCKING COLLAR	2	X X	
3	E10018	PRESSED FLANGED HOUSING	4	X X	
4	AH129451	BALL BEARING	2	X X	
5	H154636	SUPPORT	1	X X	
6	03M7017	BOLT	6	X X	M10 X 25
7	H138435	SET SCREW	2	X X	
8	14M7274	NUT	2	X X	M10
9	AH147557	SPROCKET SEGMENTS	1	X X	
10	H132906	PLATE	1	X X	
11	AH147636	SPOUT	1	X X	
12	H135309	COVER	1	X X	
13	14M7020	WING NUT	4	X X	M8
14	AH147529	AUGER	1	X X	
15	26M4228	SHAFT KEY	1	X X	8 X 28 MM
16	19M7866	SCREW	4	X X	M8 X 20
17	14M7298	FLANGE NUT	4	X X	M8

3G18

ELEVATORS

TAILINGS ELEVATOR
HP9228 -UN-28OCT99



HP9228

3G19

ELEVATORS

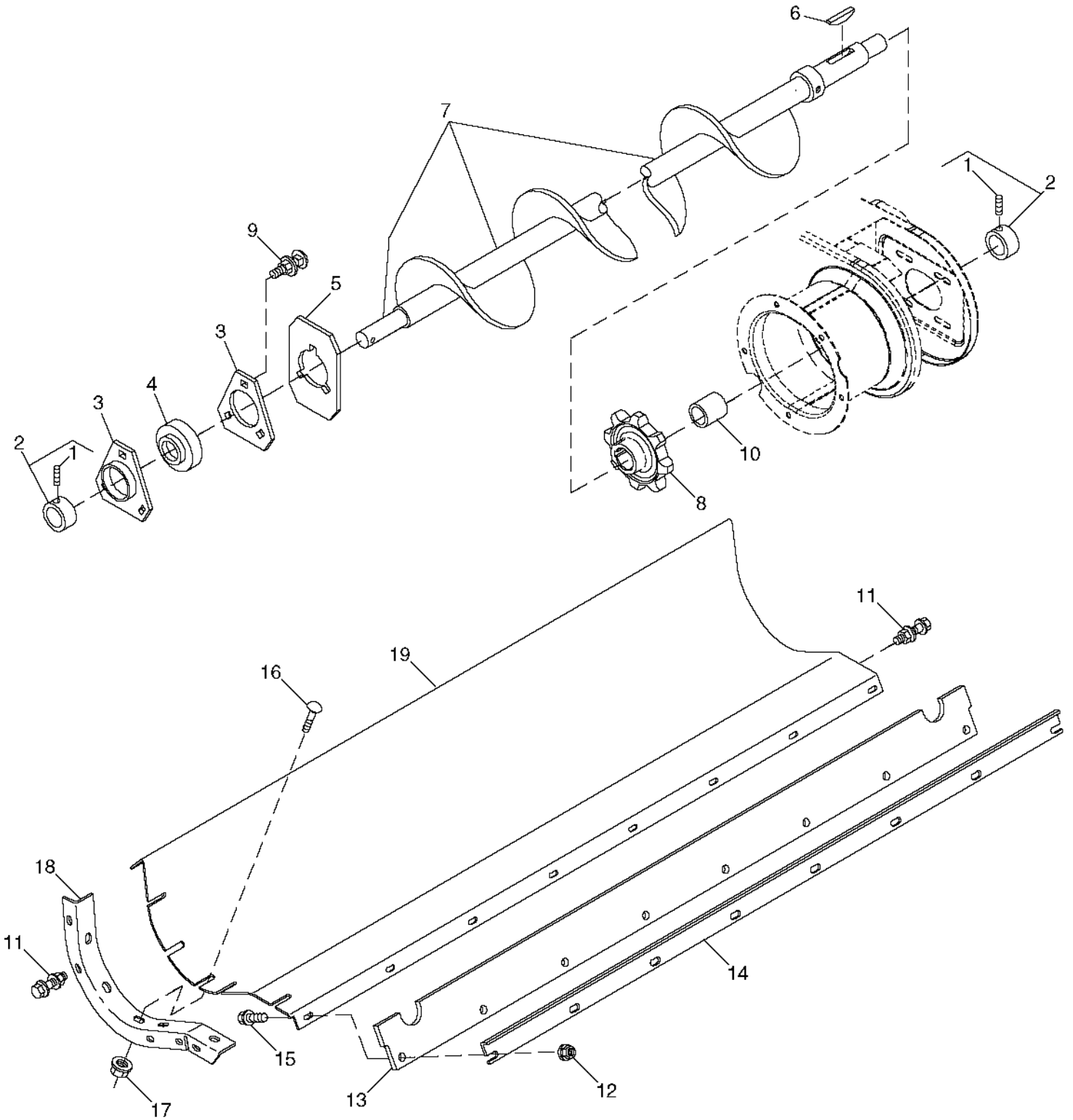
TAILINGS ELEVATOR - CONTINUED

KEY	PART NO.	PART NAME	QTY	SERIAL NO.	REMARKS
				9 9	
				6 7	
				5 5	
				0 0	
1	AH149536	ELEVATOR	1	X X	
2	03M7193	BOLT	4	X X	M10 X 35
3	AH149579	DOOR	1	X X	
	AH162156	DOOR	1	X X	PERFORATED
4	H165676	PIN	1	X X	
5	H164896	SPRING	1	X X	
6	H128877	U-BOLT	1	X X	
7	14M7396	LOCK NUT	2	X X	M8
8	H161342	LEVER	1	X X	
9	RV810A	PIN	1	X X	
10	AH158581	MODULE	1	X X	
11	11M7081	COTTER PIN	1	X X	2.500 X 20 MM
12	AH158580	MODULE	1	X X	
13	19M8241	CAP SCREW	1	X X	M10 X 100
14	H152914	BRACKET	1	X X	
15	H152916	PRESSED FLANGED HOUSING	2	X X	
16	JD10384	BEARING	1	X X	
17	14M7296	FLANGE NUT	7	X X	M10
18	H170344	GASKET	2	X X	
19	H167390	LENS	2	X X	
20	M71770	SCREW	12	X X	2.9MM DIA X 8MM
21	H168019	COVER	2	X X	
22	03M7221	BOLT	8	X X	M6 X 16
23	M80082	NUT	8	X X	
24	14M7303	FLANGE NUT	8	X X	M6

3G20

ELEVATORS

LOWER TAILINGS AUGER
HP9518 -UN-27JAN00



HP9518

3G21

ELEVATORS

LOWER TAILINGS AUGER - CONTINUED

KEY	PART NO.	PART NAME	QTY	SERIAL NO.	REMARKS
				9 9	
				6 7	
				5 5	
				0 0	
1	22M7080	SET SCREW	2	X X	M8 X 8
2	AZ10045	ECCENTRIC LOCKING COLLAR	2	X X	
3	E10018	PRESSED FLANGED HOUSING	2	X X	
4	JD39106	BALL BEARING	1	X X	
5	H132906	PLATE	1	X X	
6	49M4111	SHAFT KEY	1	X X	8 X 7 X 40 MM
7	AH147472	AUGER	1	X X	
8	H133143	CHAIN SPROCKET	1	X X	
9	03M7190	BOLT	6	X X	M10 X 20
	14M7296	FLANGE NUT	6	X X	M10
10	H156767	SPACER	1	X X	
11	19M7866	SCREW	AR	X X	M8 X 20
	14M7298	FLANGE NUT	AR	X X	M8
12	14M7396	LOCK NUT	8	X X	M8
13	H167208	SEAL	1	X X	
14	H170391	REINFORCEMENT	1	X X	
15	19M7166	CAP SCREW	8	X X	M10 X 20
16	03M7183	BOLT	5	X X	M8 X 16
17	14M7298	FLANGE NUT	5	X X	M8
18	H156394	BRACKET	1	X X	
19	AH149399	TROUGH	1	X X	

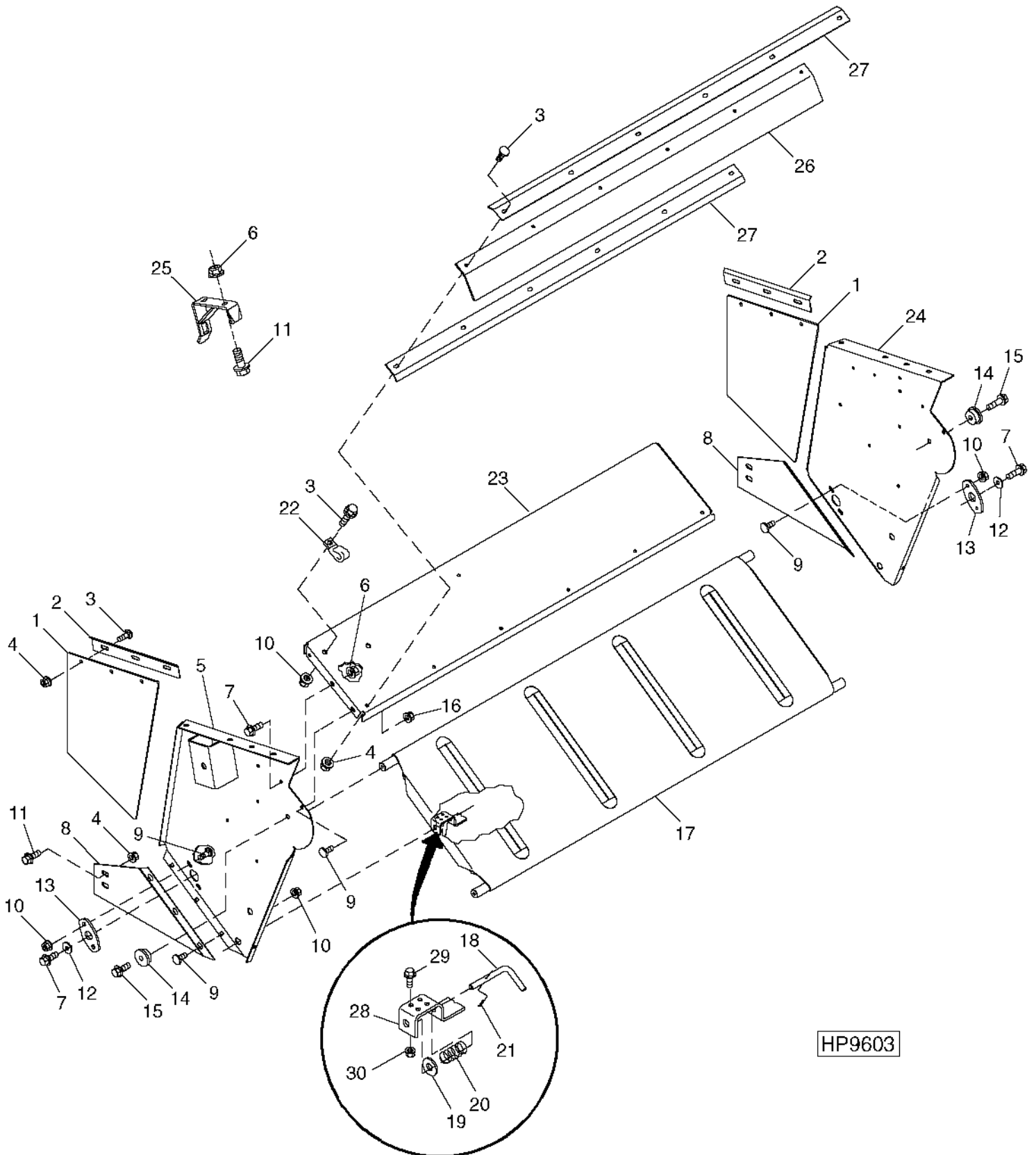
MEMORANDA

MEMORANDA

3H3

RESIDUE DISPOSAL

STRAW CHOPPER
HP9603 -UN-08MAR00



HP9603

3H4

RESIDUE DISPOSAL

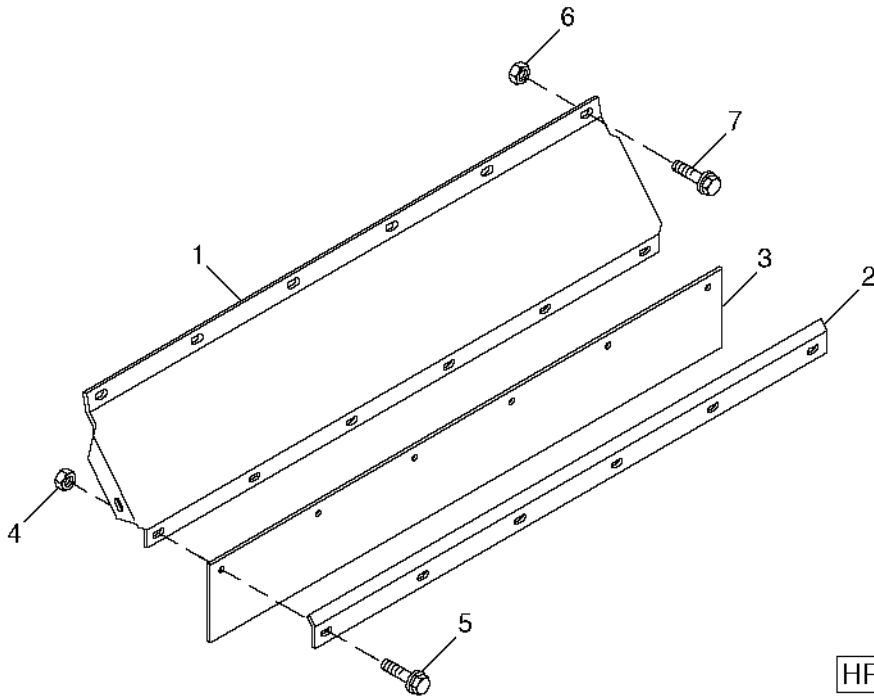
STRAW CHOPPER - CONTINUED

KEY	PART NO.	PART NAME	QTY	SERIAL NO.	REMARKS
				9 9	
				6 7	
				5 5	
				0 0	
1	H163731	DEFLECTOR	2	X X	
2	H163732	STRIP	2	X X	
3	19M7866	SCREW	6	X X	M8 X 20
4	14M7396	LOCK NUT	6	X X	M8
5	AH149959	SHEET	1	X X	
6	14M7296	FLANGE NUT	4	X X	M10
7	19M7784	SCREW	6	X X	M10 X 20
8	H157505	SHEET	1	X X	
	H157506	SHEET	1	X X	
9	03M7184	BOLT	10	X X	M8 X 20
10	14M7298	FLANGE NUT	10	X X	M8
11	19M7786	SCREW	4	X X	M10 X 30
12	24M7101	WASHER	2	X X	11 X 34 X 3 MM
13	H157499	PLATE	2	X X	
14	H157507	BUSHING	2	X X	
15	19M7791	SCREW	2	X X	M12 X 40
16	14M7401	LOCK NUT	2	X X	M12
17	AH168277	DOOR	1	X X	(SUB FOR AH160727)
18	H136179	PIN	2	X X	
19	24H1341	WASHER	2	X X	17/32" X 15/16" X 0.060"
20	B28970	SPRING	2	X X	
21	11M7059	COTTER PIN	2	X X	3.200 X 20 MM
22	AH89557	CLIP	2	X X	
23	H172614	SHEET	1	X X	
24	H157502	SHEET	1	X X	
25	AH161884	BRACKET	2	X X	
26	H157528	SEAL	2	X X	
27	H168323	STRIP	2	X X	
28	H174305	BRACKET	2	X X	
29	03M7190	BOLT	4	X X	M10 X 20
30	H135891	LOCK NUT	4	X X	

3H5

RESIDUE DISPOSAL

CHOPPER DEFLECTORS
HP8798 -UN-08JUL99



HP8798

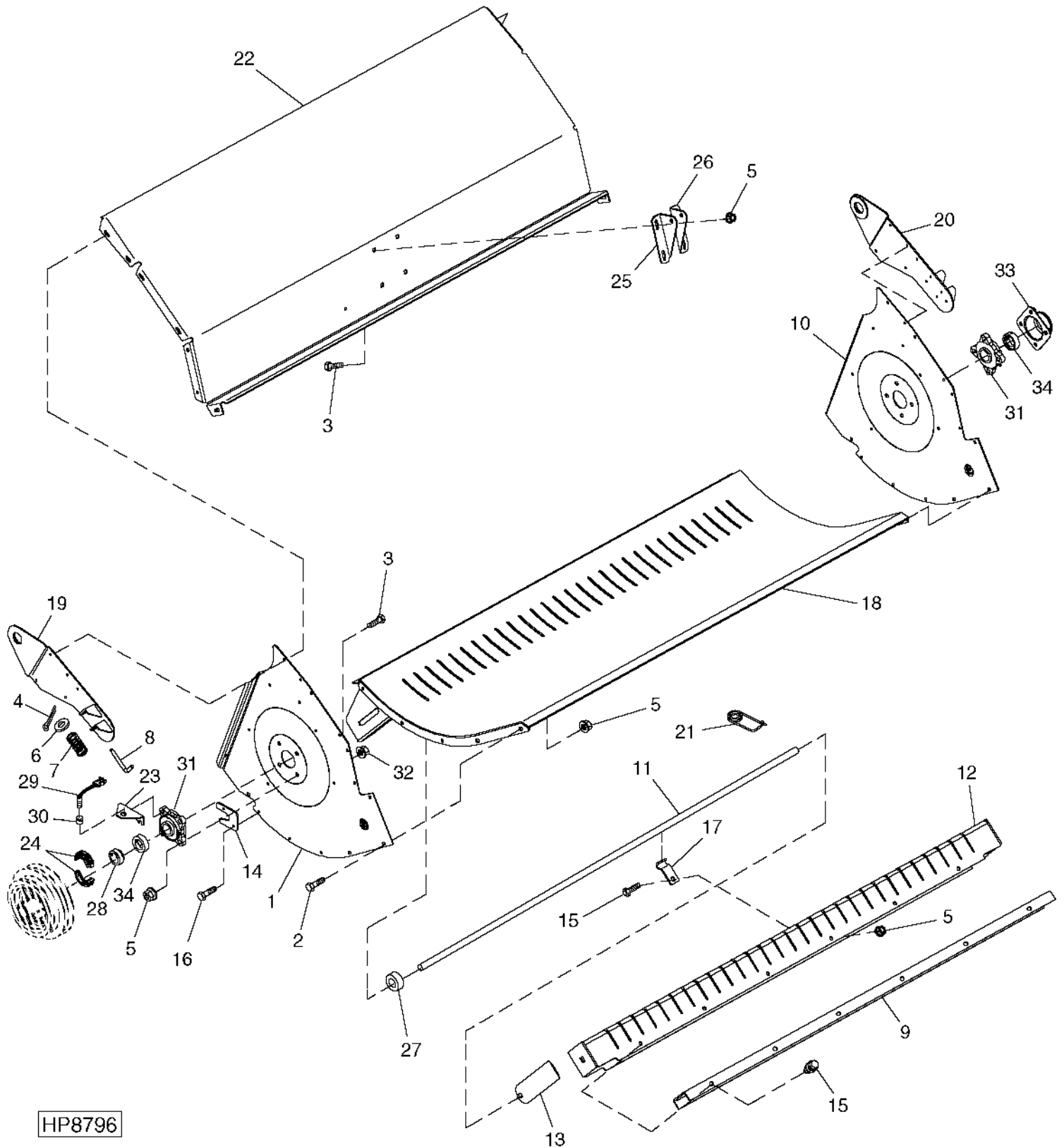
KEY	PART NO.	PART NAME	QTY	SERIAL NO.	REMARKS
				9 9	
				6 7	
				5 5	
				0 0	
1	H168392	DEFLECTOR	1	X X	
2	H168323	STRIP	1	X X	
3	H157491	DEFLECTOR	1	X X	
4	19M7867	SCREW	6	X X	M8 X 25
5	14M7296	FLANGE NUT	6	X X	M10
6	14M7298	FLANGE NUT	8	X X	M8
7	19M7866	SCREW	8	X X	M8 X 20

MEMORANDA

3H6

RESIDUE DISPOSAL

CHOPPER HOUSING AND KNIFEBANK
HP8796 -UN-27JUL99



HP8796

3H7

RESIDUE DISPOSAL

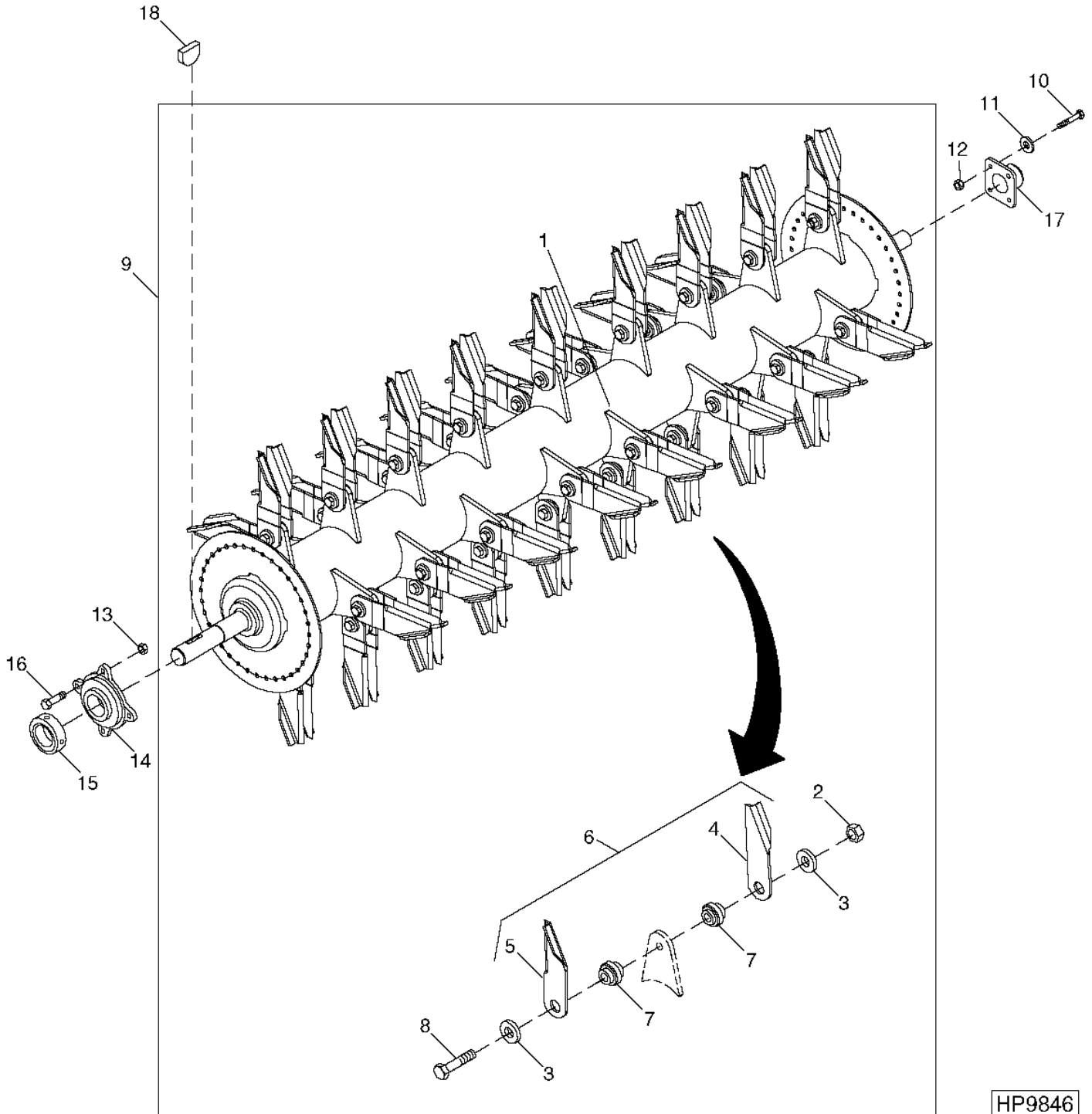
CHOPPER HOUSING AND KNIFEBANK - CONTINUED

KEY	PART NO.	PART NAME	QTY	SERIAL NO.	REMARKS
				9 9	
				6 7	
				5 5	
				0 0	
1	H157480	SHEET	1	X X	L.H.
2	19M7866	SCREW	AR	X X	M8 X 20
3	03M7184	BOLT	AR	X X	M8 X 20
4	11M7023	COTTER PIN	2	X X	4 X 32 MM
5	14M7298	FLANGE NUT	AR	X X	M8
6	24H1139	WASHER	2	X X	11/16" X 1-1/4" X 0.105"
7	M113254	COMPRESSION SPRING	2	X X	
8	H165584	PIN	2	X X	
9	H157042	SUPPORT	1	X X	FINE CUT CHOPPER
10	H157481	SHEET	1	X X	R.H.
11	H172439	PIN	1	X X	
12	AH158821	CHANNEL	1	X X	
13	H142141	KNIFE	35	X X	
14	H167457	PLATE	2	X X	
15	19M7867	SCREW	14	X X	M8 X 25
16	03M7201	BOLT	2	X X	M12 X 45
17	H157103	CLIP	7	X X	FINE CUT ONLY
18	AH149878	FLOOR	1	X X	
19	AH165094	BRACKET	1	X X	L.H.
20	AH165095	BRACKET	1	X X	R.H.
21	H114001	QUICK LOCK PIN	1	X X	
22	H157482	SHEET	1	X X	
23	H169910	BRACKET	1	X X	
24	AH161839	MAGNET	1	X X	
25	H157488	BRACKET	1	X X	
26	H157487	BRACKET	1	X X	
27	N110219	BUSHING	1	X X	
28	H169947	SLEEVE	1	X X	
29	AH116104	SENSOR	1	X X	
30	H160880	CLIP	1	X X	
31	AH163595	BEARING	2	X X	
32	14M7299	FLANGE NUT	2	X X	M12
33	H169879	COVER	1	X X	
34	JD9201	ECCENTRIC LOCKING COLLAR	2	X X	

3H8

RESIDUE DISPOSAL

STRAW CHOPPER ROTOR
HP9846 -UN-05JUN00



HP9846

3H9

RESIDUE DISPOSAL

STRAW CHOPPER ROTOR - CONTINUED

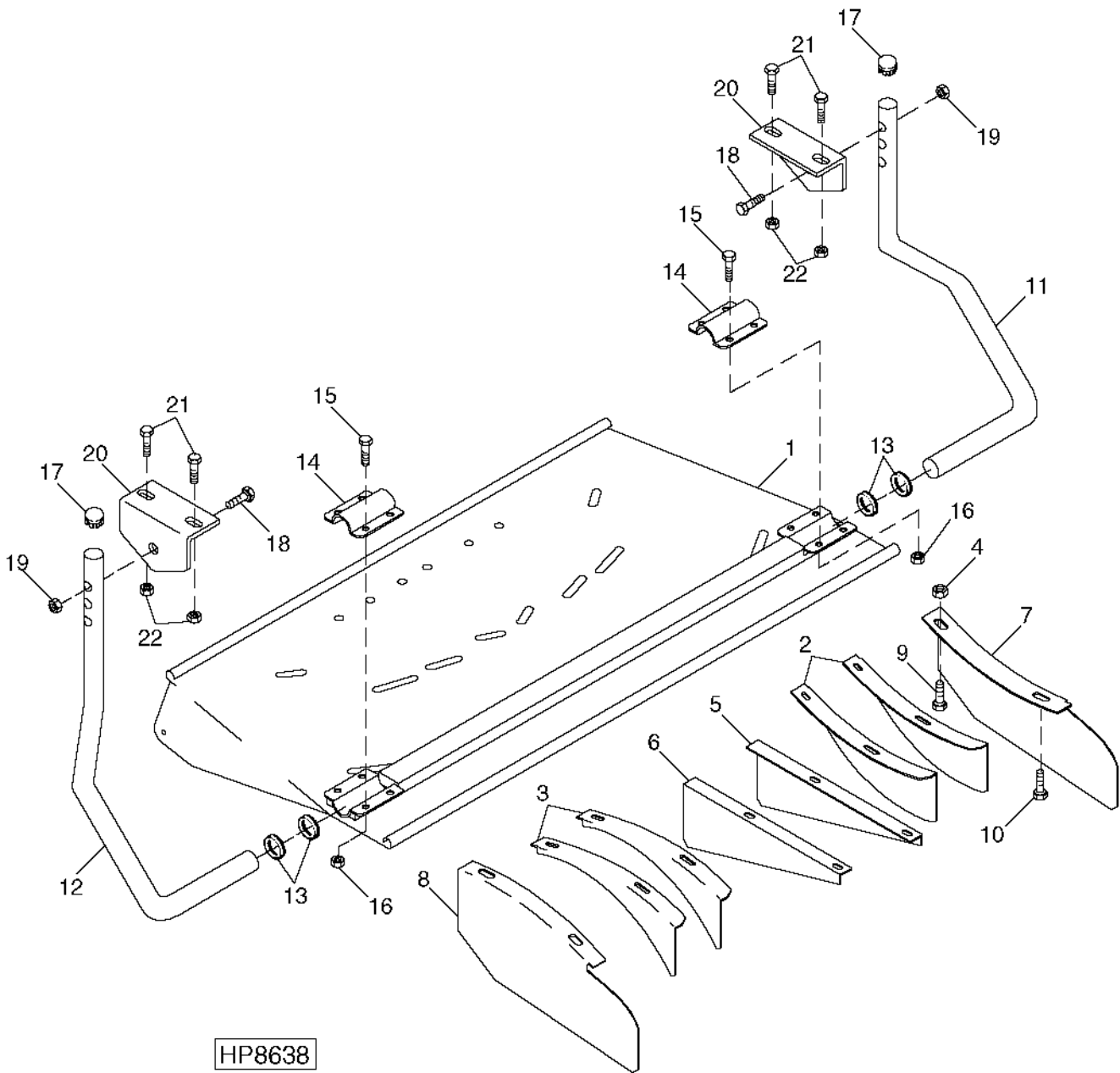
KEY	PART NO.	PART NAME	QTY	SERIAL NO.	9 6 5 0	9 7 5 0	REMARKS
1	ROTOR	1		X	X	
2	A51212	LOCK NUT	30		X	X	
3	H156101	WASHER	60		X	X	
4	BLADE	30		X	X	R.H.
5	BLADE	30		X	X	L.H.
6	AH160606	BLADE	15		X	X	INCLUDES (2) R.H. AND (2) L.H. BLADES
7	H167127	BUSHING	60		X	X	
8	19M8499	CAP SCREW	30		X	X	M10 X 60
9	AH163875	ROTOR	1		X	X	
10	19M7814	SCREW	4		X	X	M12 X 50
11	24M7047	WASHER	4		X	X	13 X 24 X 2.500 MM
12	14M7299	FLANGE NUT	4		X	X	M12
13	14M7401	LOCK NUT	4		X	X	M12
14	AH163595	BEARING	2		X	X	
15	JD9201	ECCENTRIC LOCKING COLLAR	2		X	X	
16	19M7791	SCREW	4		X	X	M12 X 40
17	H169879	COVER	1		X	X	
18	26H103	SHAFT KEY	1		X	X	1/4" X 2-1/8"

3H10

RESIDUE DISPOSAL

CHOPPER DEFLECTOR WITH VANES AND SUPPORTS

HP8638 -UN-06JUL99



HP8638

3H11

RESIDUE DISPOSAL

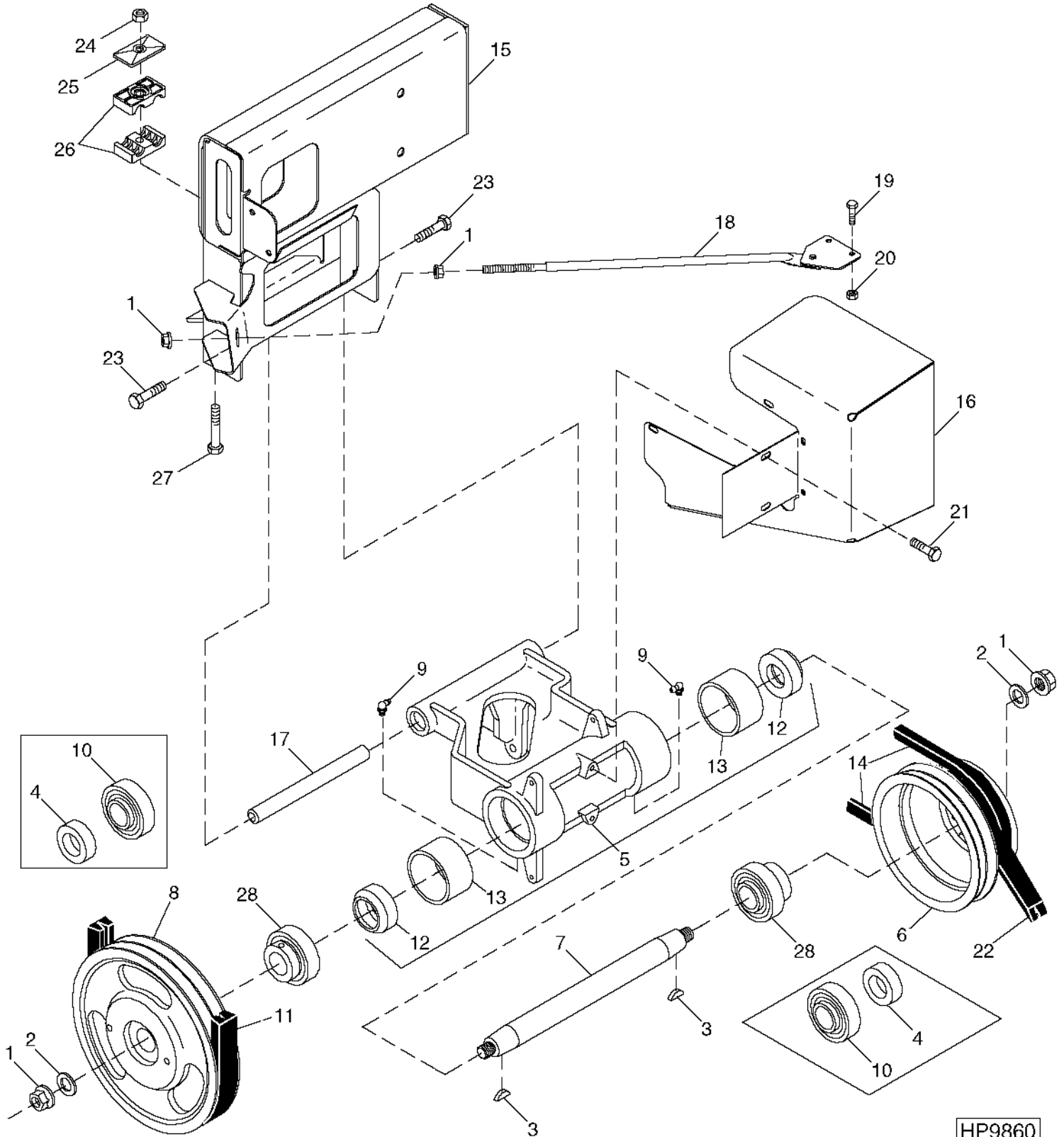
CHOPPER DEFLECTOR WITH VANES AND SUPPORTS - CONTINUED

KEY	PART NO.	PART NAME	QTY	SERIAL NO.	REMARKS
				9 9	
				6 7	
				5 5	
				0 0	
1	AH160488	DEFLECTOR	1		
2	H114537	VANE	2		
3	H114538	VANE	2		
4	14M7396	LOCK NUT	16		M8
5	H167215	VANE	1		
6	H167216	VANE	1		
7	H167319	VANE	1		
8	H167320	VANE	1		
9	19M7865	SCREW	2		M8 X 16
10	03M7183	BOLT	14		M8 X 16
11	H167565	TUBE	1		RH
12	H167564	SUPPORT	1		LH
13	H136110	ISOLATOR	4		
14	H161289	CLAMP	2		
15	19M7862	SCREW	8		M6 X 20
16	14M7303	FLANGE NUT	8		M6
17	H106000	PLUG	2		
18	19M7806	SCREW	2		M10 X 50
19	14M7400	LOCK NUT	2		M10
20	H162520	BRACKET	2		
21	19M7784	SCREW	4		M10 X 20
22	14M7296	FLANGE NUT	4		M10

3H12

RESIDUE DISPOSAL

STRAW CHOPPER JACKSHAFT
HP9860 -UN-21JUN00



HP9860

3H13

RESIDUE DISPOSAL

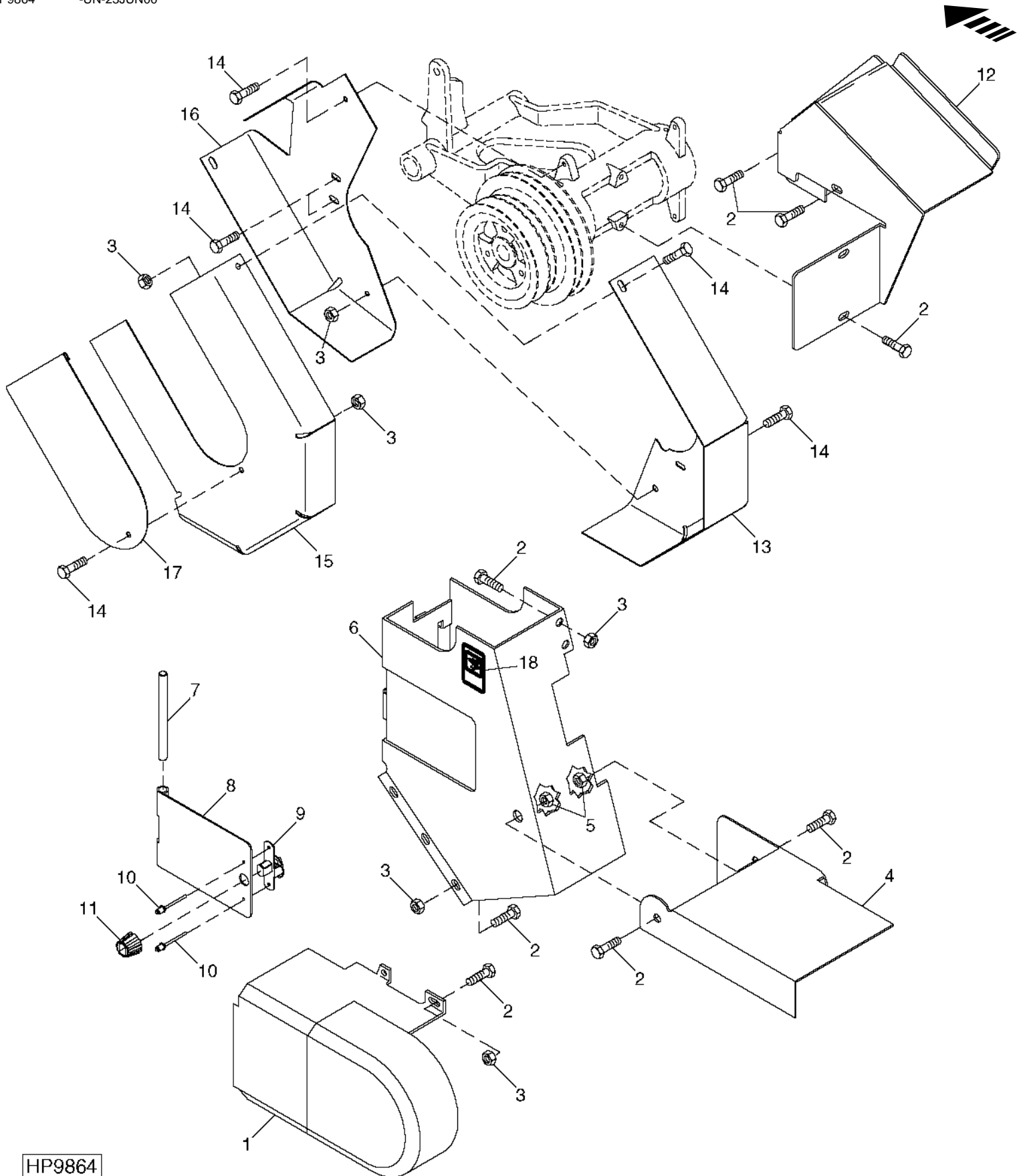
STRAW CHOPPER JACKSHAFT - CONTINUED

KEY	PART NO.	PART NAME	QTY	SERIAL NO.	REMARKS
				9 9	
				6 7	
				5 5	
				0 0	
1	14M7300	FLANGE NUT	4	X X	M20
2	24M7242	WASHER	2	X X	21.400 X 42 X 5 MM
3	26M6787	SHAFT KEY	2	X X	10 X 32 MM
4	AH149909	ECCENTRIC LOCKING COLLAR	2	X X	(SUB AH170744)
5	AH155000	ARM	1	X X	
6	H156975	SHEAVE	1	X X	
7	H157539	JACKSHAFT	1	X X	
8	H161983	SHEAVE	1	X X	
9	JD7806	LUBRICATION FITTING	2	X X	
10	JD9404	BALL BEARING	2	X X	(SUB AH170744)
11	H157514	BELT	1	X X	ENGINE
12	AA5607R	SEAL	2	X X	
13	H99147	BUSHING	2	X X	(SUB H171061)
	H171061	BEARING	2	X X	
14	H168301	BELT	1	X X	
15	AH152952	SUPPORT	1	X X	
16	AH162604	SHIELD	1	X X	
17	H157415	WELD PIN	1	X X	
18	AH154130	BRACE	1	X X	
19	19M7786	SCREW	2	X X	M10 X 30
20	14M7296	FLANGE NUT	2	X X	M10
21	19M7865	SCREW	2	X X	M8 X 16
22	H157523	BELT	1	X X	CHOPPER
23	19M7791	SCREW	2	X X	M12 X 40
24	19M7298	CAP SCREW	1	X X	M8 X 35
25	H112567	PLATE	1	X X	
26	H115379	CLAMP	2	X X	
27	19M7803	SCREW	1	X X	M8 X 70
28	AH170744	BALL BEARING	2	X X	

3H14

RESIDUE DISPOSAL

CHOPPER AND SPREADER DRIVE SHIELDS
HP9864 -UN-23JUN00



HP9864

3H15

RESIDUE DISPOSAL

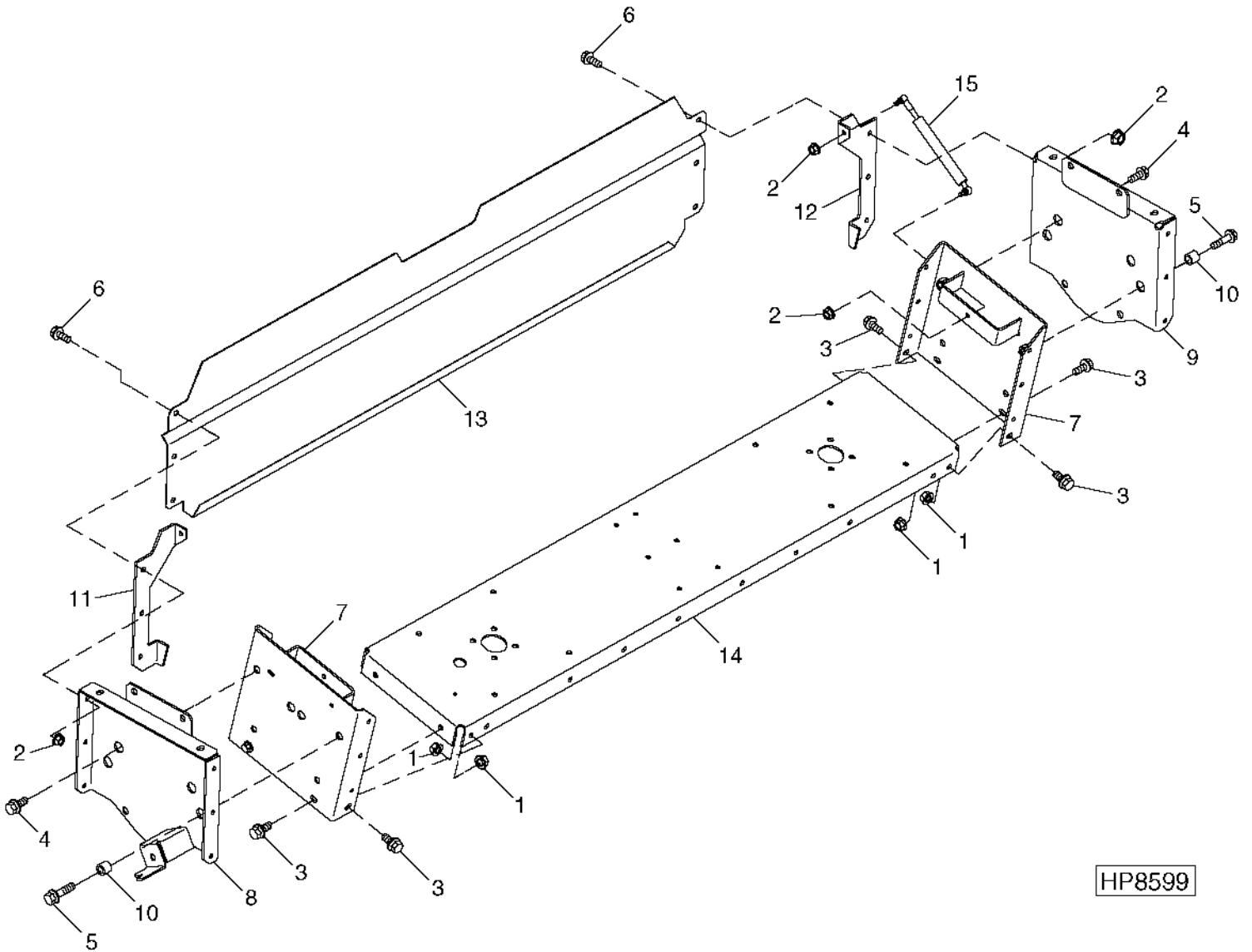
CHOPPER DRIVE SHIELDS - CONTINUED

KEY	PART NO.	PART NAME	QTY	SERIAL NO.	REMARKS
				9 9	
				6 7	
				5 5	
				0 0	
1	AH162356	SHIELD	1		(SUB AH168167)
	AH168167	SHIELD	1		
2	19M7866	SCREW	AR		M8 X 20
3	14M7298	FLANGE NUT	AR		M8
4	H168900	SHIELD	1		(SUB H174364)
	H174364	SHIELD	1		
5	14M7396	LOCK NUT	5		M8
6	AH162504	SHIELD	1		
7	H165652	PIN	1		
8	H170839	DOOR	1		
9	AH125644	LATCH	1		
10	AT44195	RIVET	2		
11	H121391	KNOB	1		
12	AH162610	SHIELD	1		
13	H172958	SUPPORT	1		(SUB FOR H168533)
14	19M7865	SCREW	9		M8 X 16
15	H173213	SHIELD	1		(SUB FOR H168532) W/CHOPPER AND NO STRAW DISPOSAL
	H172955	SHIELD	1		(SUB FOR H168532) W/SPREADER (ILLUSTRATED)
16	H168534	SUPPORT	1		
17	H168536	COVER	1	-685646	X
	H168536	COVER	1	-685709	X
18	H149096	LABEL	1		X X
..	BH81596	COMPLETE GOODS/SHIP. BUNDLE	1		X X SHIELD AND MOUNTING

3H16

RESIDUE DISPOSAL

STRAW SPREADER FRAME
HP8599 -UN-12JUL99



HP8599

3H17

RESIDUE DISPOSAL

STRAW SPREADER FRAME - CONTINUED

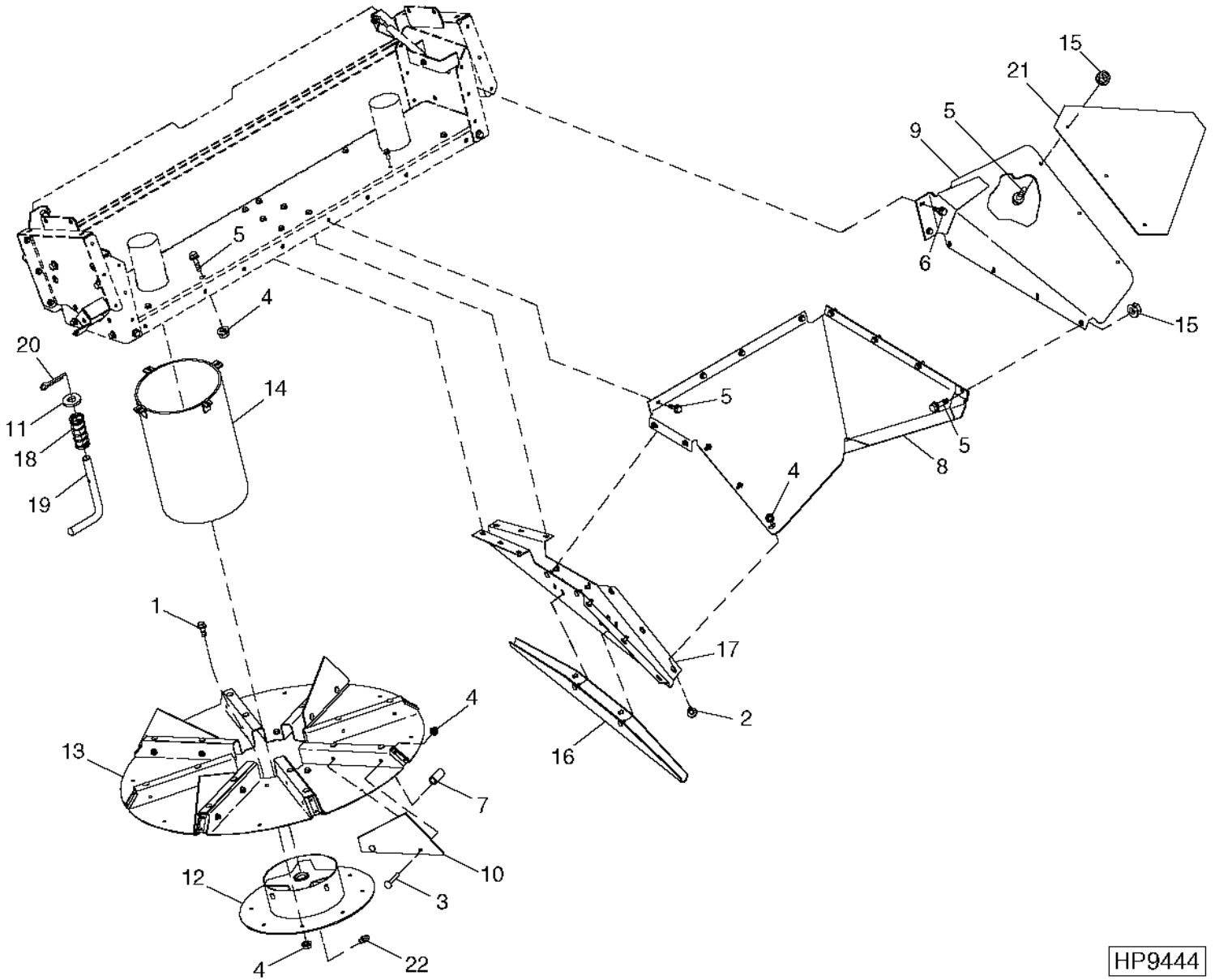
KEY	PART NO.	PART NAME	QTY	SERIAL NO.	9 6 5 0	REMARKS
1	14M7296	FLANGE NUT	8		X X	M10
2	14M7298	FLANGE NUT	10		X X	M8
3	19M7785	SCREW	8		X X	M10 X 25
4	19M7788	SCREW	2		X X	M12 X 25
5	19M7791	SCREW	2		X X	M12 X 40
6	19M7866	SCREW	6		X X	M8 X 20
7	AH153627	BRACKET	2		X X	
8	AH153628	BRACKET	1		X X	
9	AH163371	BRACKET	1		X X	
10	28H2514	BUSHING	2		X X	0.546" X 0.840" X 3/4"
11	H163825	BRACKET	1		X X	
12	H163826	BRACKET	1		X X	
13	H174291	PANEL	1		X X	(SUB FOR H164842)
14	H164857	SUPPORT	1		X X	
15	AH160070	GAS OPERATED CYLINDER	2		X X	

3H18

RESIDUE DISPOSAL

STRAW SPREADER AND DEFLECTORS

HP9444 -UN-20DEC99



HP9444

3H19

RESIDUE DISPOSAL

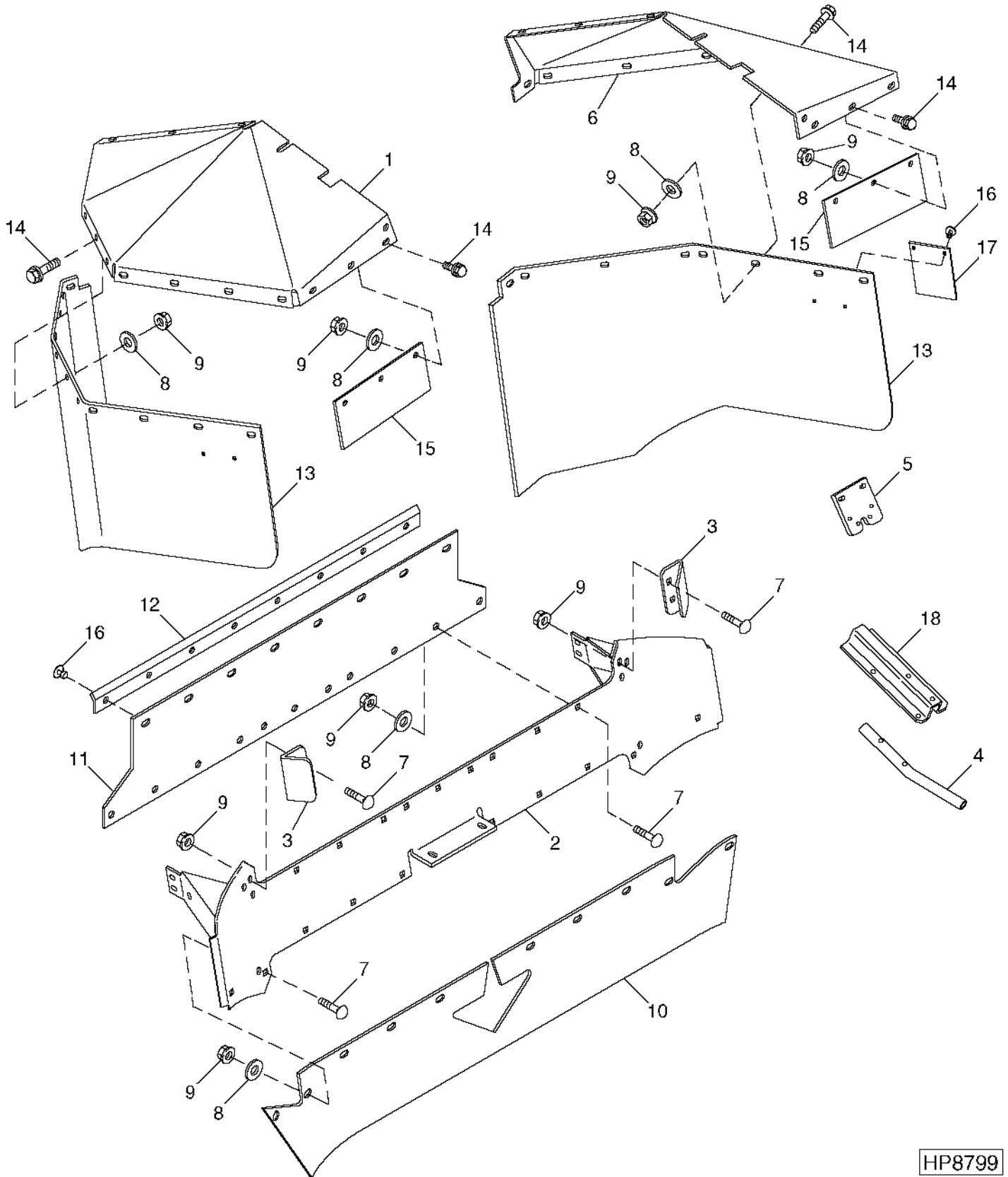
STRAW SPREADER AND DEFLECTORS - CONTINUED

KEY	PART NO.	PART NAME	QTY	SERIAL NO.	9 6 5 0	9 7 5 0	REMARKS
1	03M7183	BOLT	AR		X	X	M8 X 16
2	03M7184	BOLT	11		X	X	M8 X 20
3	03M7216	BOLT	16		X	X	M8 X 50
4	14M7298	FLANGE NUT	AR		X	X	M8
5	19M7866	SCREW	46		X	X	M8 X 20
6	19M7867	SCREW	4		X	X	M8 X 25
7	28H1941	BUSHING	8		X	X	0.364" X 0.540" X 1-1/4"
8	AH158935	SHROUD	1		X	X	R.H.
	AH158902	SHROUD	1		X	X	L.H.
9	AH166869	PANEL	1		X	X	R.H.
	AH166868	PANEL	1		X	X	L.H.
10	H170104	BLADE	8	-685767	X		
	H170104	BLADE	8	-685802		X	
	H174273	BLADE	8	685768-	X		
	H174273	BLADE	8	685803-		X	
11	24H1341	WASHER	1		X	X	17/32" X 15/16" X 0.060"
12	AH159872	HUB	2		X	X	
13	AH159901	DISK	2		X	X	
14	AH162235	TUBE	2		X	X	
15	14M7296	FLANGE NUT	8		X	X	M10
16	H164904	REINFORCEMENT	1		X	X	
17	H164858	CROP DIVIDER	1		X	X	
18	B28970	SPRING	1		X	X	
19	H136179	PIN	1		X	X	
20	11M7059	COTTER PIN	1		X	X	3.200 X 20 MM
21	H172643	LIMIT CURTAIN	1		X	X	
22	JD7844	LUBRICATION FITTING	1		X	X	

3H20

RESIDUE DISPOSAL

STRAW SPREADER SHIELDS
HP8799 -UN-22JUL99



HP8799

3H21

RESIDUE DISPOSAL

STRAW SPREADER SHIELDS - CONTINUED

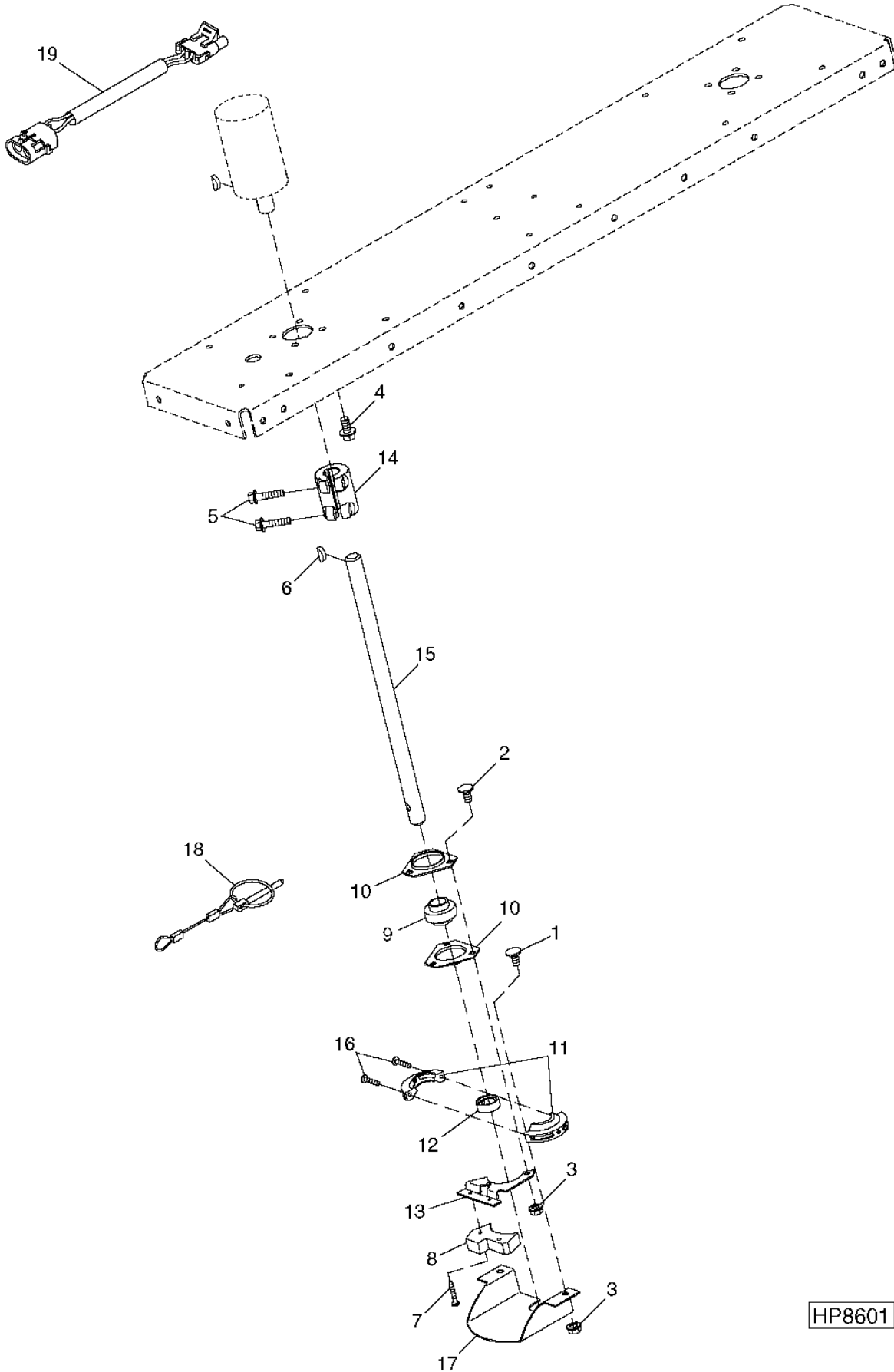
KEY	PART NO.	PART NAME	QTY	SERIAL NO.	9 6 5 0	9 7 5 0	REMARKS
1	AH160208	SHIELD	1		X	X	
2	AH161375	SHIELD	1		X	X	
3	H169622	ANGLE	2		X	X	
4	H171600	HANDLE	1		X	X	
5	H171615	BRACKET	1		X	X	
6	AH160209	SHIELD	1		X	X	
7	03M7184	BOLT	AR		X	X	M8 X 20
8	24M7207	WASHER	AR		X	X	8.400 X 24 X 2 MM
9	14M7396	LOCK NUT	AR		X	X	M8
10	H167921	LIMIT CURTAIN	1		X	X	
11	H169618	LIMIT CURTAIN	1		X	X	
12	H168741	STRIP	1		X	X	
13	H171649	LIMIT CURTAIN	1		X	X	
14	19M7865	SCREW	AR		X	X	M8 X 16
15	H165473	LIMIT CURTAIN	2		X	X	
16	M64720	RIVET	8		X	X	
17	H171650	PLATE	1		X	X	
18	H171599	SUPPORT	1		X	X	
..	BH81603	COMPLETE GOODS/SHIP. BUNDLE	1		X	X	STRAW SPREADER ASSEMBLY

3H22

RESIDUE DISPOSAL

STRAW SPREADER BEARING AND SPEED SENSOR

HP8601 -UN-12JUL99



HP8601

3H23

RESIDUE DISPOSAL

STRAW SPREADER BEARING AND SPEED SENSOR - CONTINUED

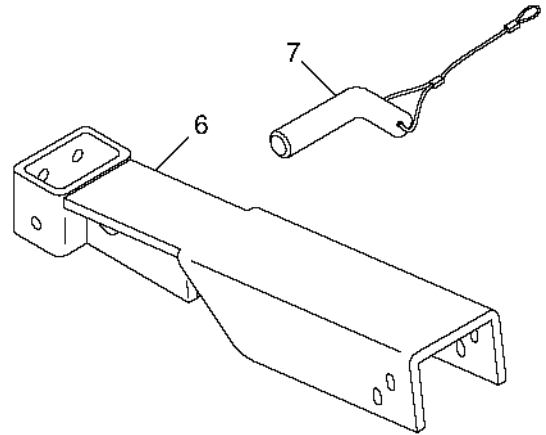
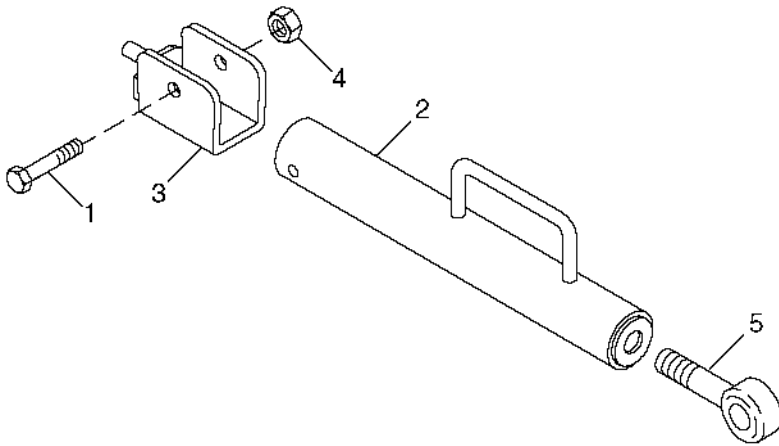
KEY	PART NO.	PART NAME	QTY	SERIAL NO.	REMARKS
				9 9	
				6 7	
				5 5	
				0 0	
1	03M7183	BOLT	2	X X	M8 X 16
2	19M7865	SCREW	3	X X	M8 X 16
3	14M7298	FLANGE NUT	5	X X	M8
4	19M7784	SCREW	4	X X	M10 X 20
5	19M7805	SCREW	2	X X	M10 X 45
6	26H22	SHAFT KEY	2	X X	1/4" X 1"
7	37M7077	SCREW	2	X X	
8	AH131320	SWITCH	1	X X	
9	JD9273	BALL BEARING	1	X X	
10	H103264	PRESSED FLANGED HOUSING	2	X X	
11	AH161838	MAGNET	1	X X	
12	JD8554	ECCENTRIC LOCKING COLLAR	1	X X	
13	H148271	BRACKET	1	X X	
14	H154608	COUPLING	1	X X	
15	H167246	PIN	1	X X	
16	H168924	SCREW	1	X X	
17	H169987	SHIELD	1	X X	
18	AH163361	PIN	1	X X	
19	AH159240	WIRING HARNESS	1	X X	

3H24

RESIDUE DISPOSAL

SPREADER LATCH AND HANDLE

HP8678 -UN-21JUL99



HP8678

KEY	PART NO.	PART NAME	QTY	SERIAL NO.	REMARKS
				9 9	
				6 7	
				5 5	
				0 0	
1	19M7828	SCREW	1	X X	M16 X 100
2	AH163337	TUBE	1	X X	
3	AH165785	LATCH	1	X X	
4	W39621	NUT	1	X X	
5	H164222	EYEBOLT	1	X X	
6	AH163335	BRACKET	1	X X	
7	AH164296	PIN	1	X X	

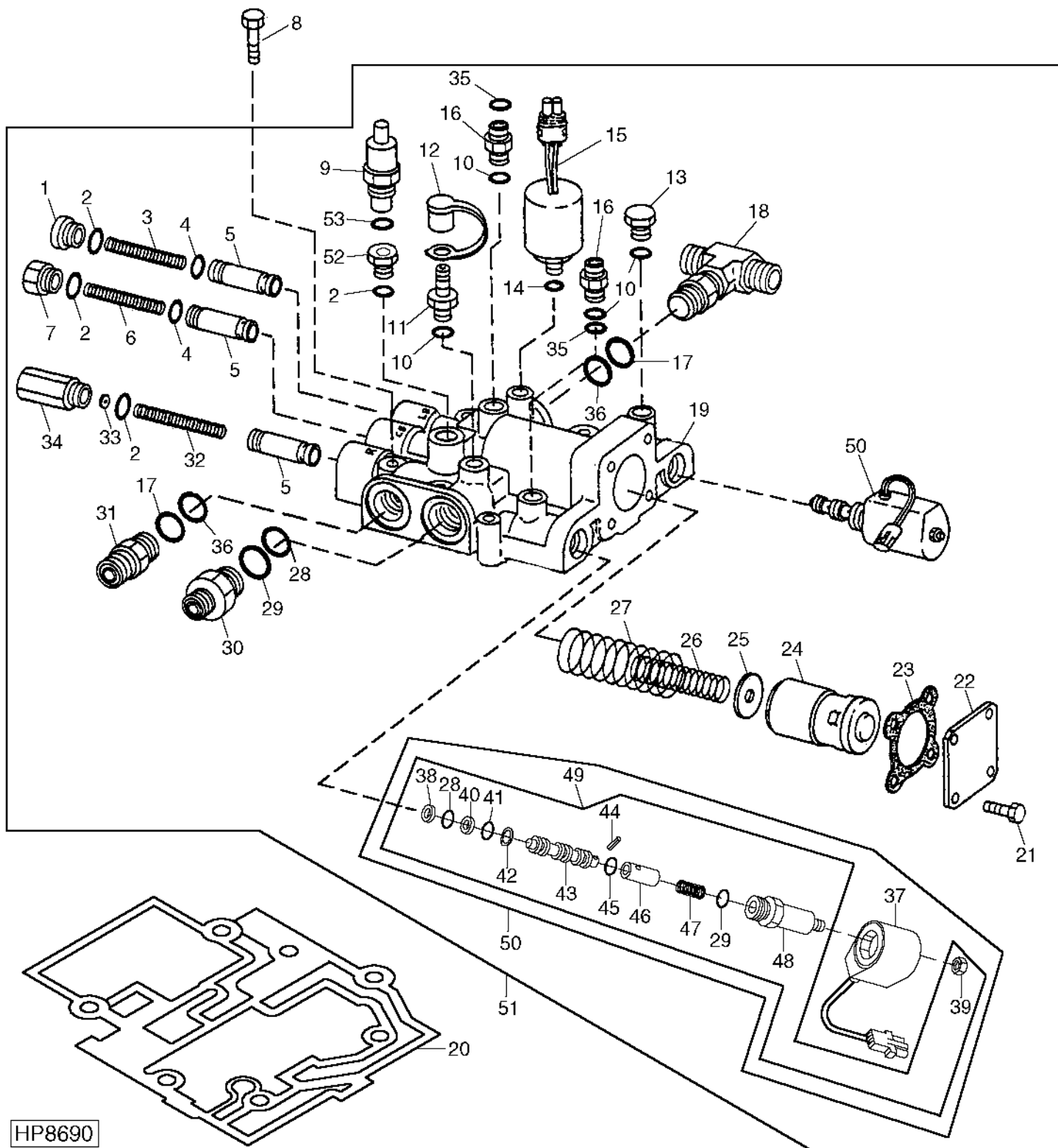
MEMORANDA

MEMORANDA

MEMORANDA

ENGINE GEARCASE PRESSURE REGULATOR

HP8690 -UN-24JUN99

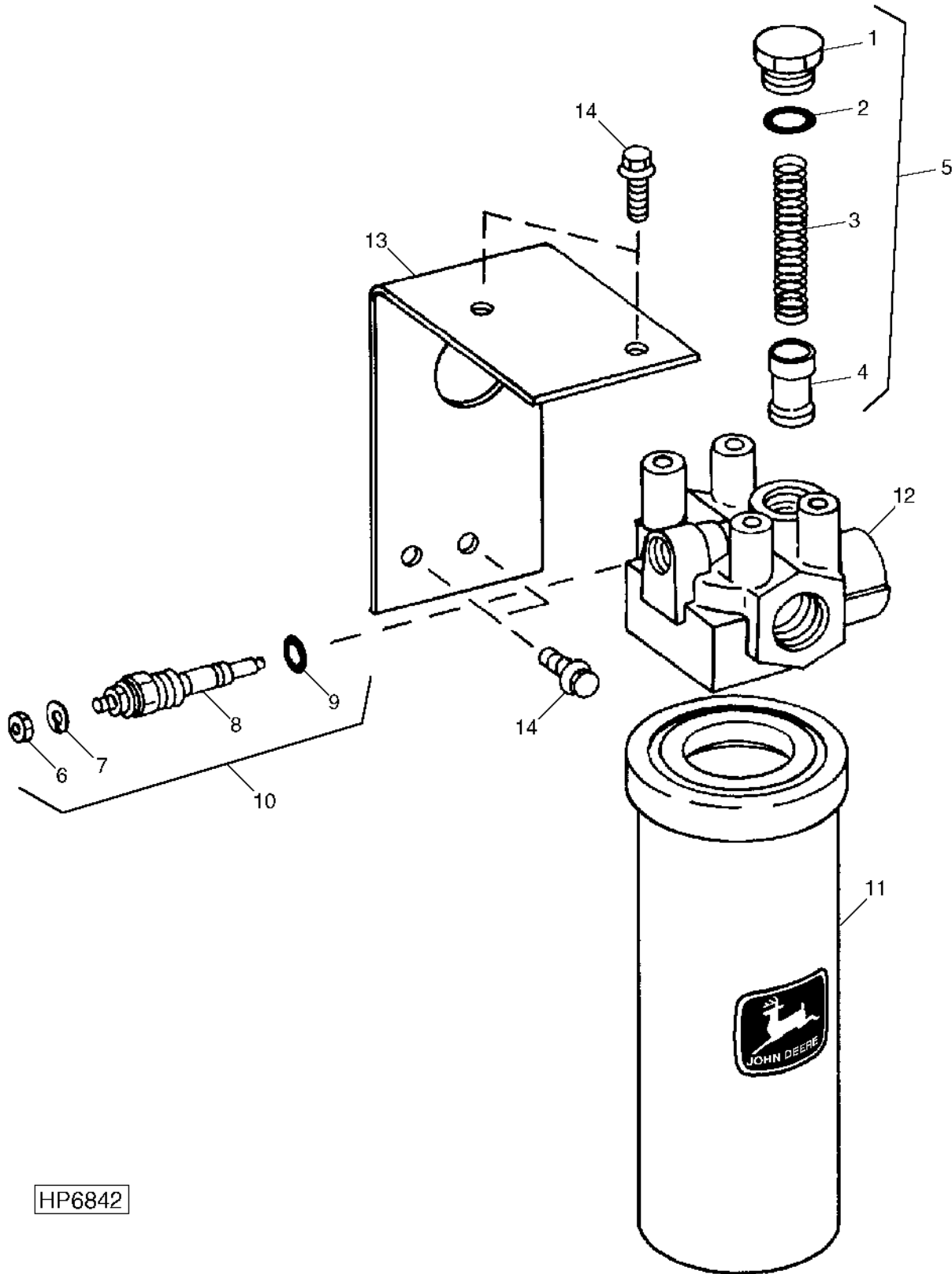


HP8690

ENGINE GEARCASE PRESSURE REGULATOR - CONTINUED

KEY	PART NO.	PART NAME	QTY	SERIAL NO.	REMARKS
				9 9	
				6 7	
				5 5	
				0 0	
1	R33138	FITTING	1	X X	
2	R26375	O-RING	4	X X	
3	H89241	SPRING	1	X X	
4	R28776	O-RING	2	X X	
5	R63980	VALVE	3	X X	
6	R56782	SPRING	1	X X	
7	H126026	FITTING	1	X X	
8	19M7979	SCREW	7	X X	M8 X 55
9	AH156144	COOLANT TEMPERATURE SENSOR	1	X X	GEARCASE TEMPERATURE SWITCH
	R78059	ELECTRICAL PLUG	1	X X	(PKG OF 40)
10	R26448	O-RING	4	X X	
11	AH125760	HYD. QUICK-CONNECT COUPLER	1	X X	
12	R77175	COVER	1	X X	
13	R27218	FITTING PLUG	1	X X	
14	R28782	O-RING	1	X X	
15	AH135744	SWITCH	1	X X	
	RE12363	CONNECTOR	1	X X	(PKG OF 40)
	R78063	TERMINAL NIPPLE	1	X X	
	R78060	SOCKET CONTACT	1	X X	
16	38H1160	ADAPTER	2	X X	
17	R26906	O-RING	2	X X	
18	38H1018	TEE FITTING	1	X X	
19	H132970	HOUSING	1	X X	
20	H129328	GASKET	1	X X	
21	19M7867	SCREW	4	X X	M8 X 25
22	H118906	COVER	1	X X	
23	H129765	GASKET	1	X X	
24	T77514	PISTON	1	X X	
25	24M7101	WASHER	1	X X	11 X 34 X 3 MM
26	R47449	SPRING	1	X X	
27	T45132	SPRING	1	X X	
28	T77857	O-RING	3	X X	
29	U12547	O-RING	3	X X	
30	38H1175	ADAPTER	1	X X	
31	38H1162	ADAPTER	1	X X	
32	T60314	SPRING	1	X X	
33	R33521	SHIM	AR	X X	
34	H126028	FITTING	1	X X	
35	T77613	O-RING	2	X X	
36	T77932	O-RING	2	X X	
37	AH128654	ELECTRICAL COIL	1	X X	
38	R42926	BACK-UP RING	1	X X	
39	M63707	LOCK NUT	1	X X	
40	R45187	BACK-UP RING	1	X X	
41	R45638	O-RING	1	X X	
42	R46701	SNAP RING	1	X X	
43	SPOOL	1	X X	
44	34H227	SPRING PIN	1	X X	3/32" X 1/2"
45	N31772	O-RING	1	X X	
46	PLUNGER	1	X X	
47	R64698	SPRING	1	X X	
48	GUIDE	1	X X	
49	AH130949	SOLENOID VALVE	1	X X	
50	AH128655	SOLENOID VALVE	2	X X	
51	AH165248	SHUT-OFF VALVE	1	X X	PRESSURE REGULATOR
52	T28256	COUPLING	1	X X	
53	51M7040	O-RING	1	X X	9.300 X 2.200 MM

ENGINE GEARCASE OIL FILTER ASSEMBLY
HP6842 -UN-27JUL99

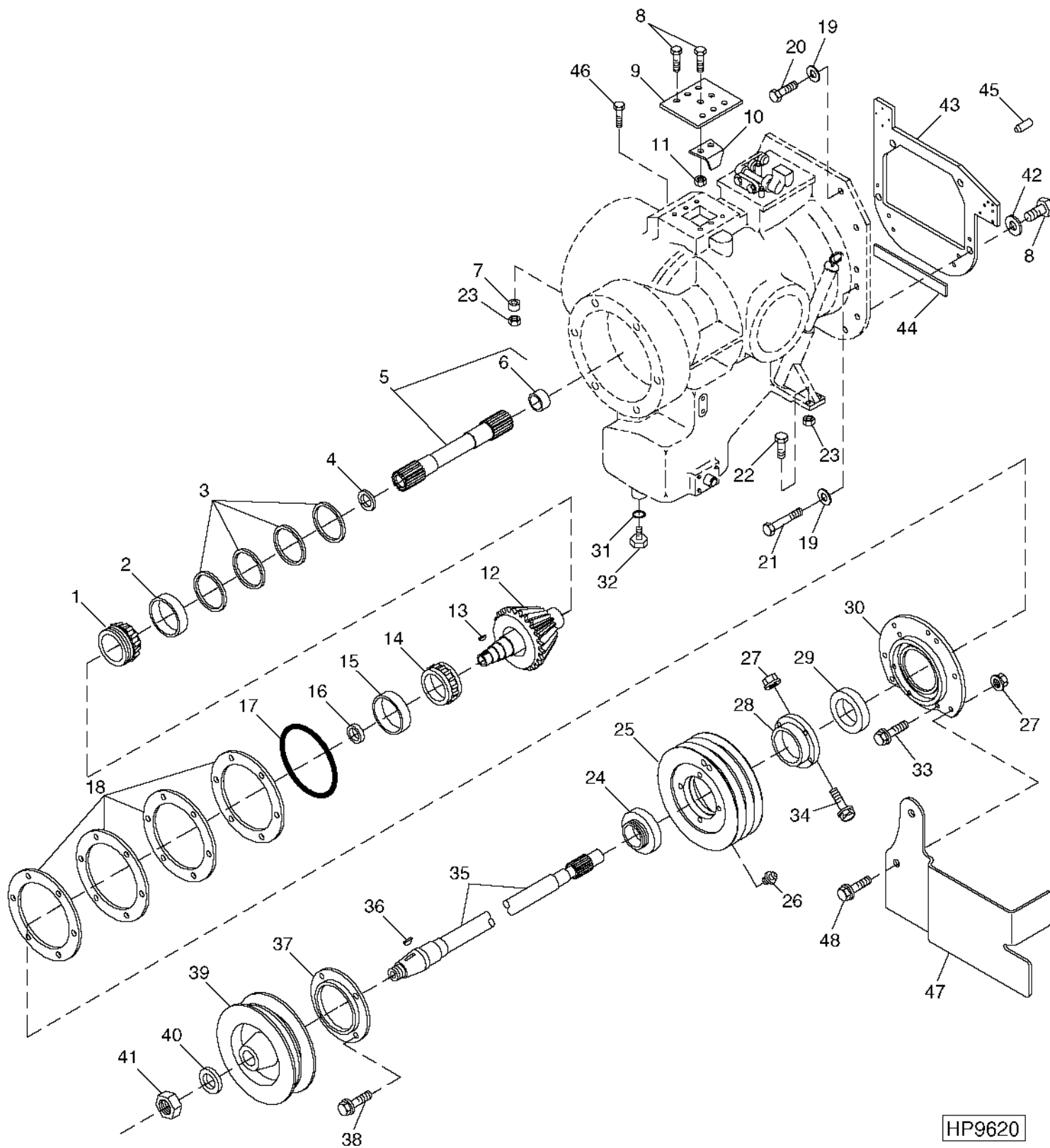


HP6842

ENGINE GEARCASE OIL FILTER ASSEMBLY - CONTINUED

KEY	PART NO.	PART NAME	QTY	SERIAL NO.	REMARKS
				9 9	
				6 7	
				5 5	
				0 0	
1	PLUG	1	X X	
2	R26906	O-RING	1	X X	
3	SPRING	1	X X	
4	PISTON	1	X X	
5	AH128451	VALVE	1	X X	
6	14H631	NUT	1	X X	0.190"
7	12H295	LOCK WASHER	1	X X	0.190"
8	SENDER	1	X X	
9	R26448	O-RING	1	X X	
10	AH128450	TOUCH SWITCH	1	X X	
11	AH128449	HYDRAULIC FILTER	1	X X	
12	AH139434	HYDRAULIC FILTER	1	X X	
13	H133675	BRACKET	1	X X	
14	19M7784	SCREW	4	X X	M10 X 20

MAIN GEARCASE
HP9620 -UN-16MAR00



HP9620

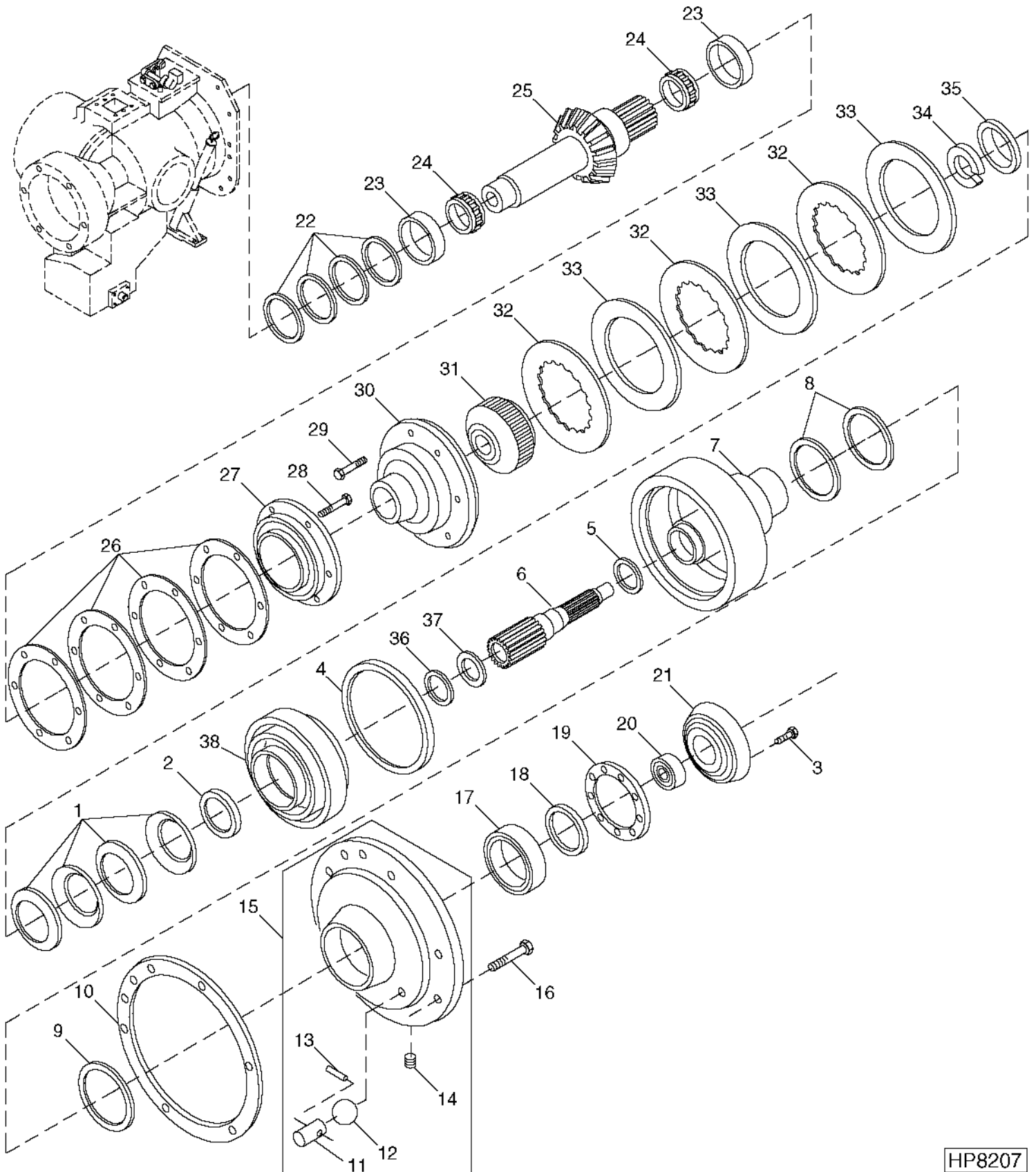
MAIN GEARCASE - CONTINUED

KEY	PART NO.	PART NAME	QTY	SERIAL NO.	REMARKS
				9 9	
				6 7	
				5 5	
				0 0	
1	DE18609	ROLLER BEARING	1	X X	
2	CE18403	ROLLER BEARING	1	X X	
3	L29041	SHIM	1	X X	0.08(MM)
	L29042	SHIM	AR	X X	0.13(MM)
	L29043	SHIM	AR	X X	0.25(MM)
	L29044	SHIM	AR	X X	0.50(MM)
4	P46770	SNAP RING	1	X X	
5	AH139118	SHAFT	1	X X	
6	R43305	BUSHING	1	X X	
7	N61709	BUSHING	2	X X	
8	19M7866	SCREW	10	X X	M8 X 20
9	H127159	COVER	1	X X	(USE TY24345)
10	H130140	TROUGH	1	X X	
11	14M7396	LOCK NUT	2	X X	M8
12	DE18569	GEAR	1	X X	(MATCHED SET, 37 TEETH, 56 TEETH)
13	26H105	SHAFT KEY	1	X X	3/8" X 2-1/8"
14	JD8162	BEARING CONE	1	X X	
15	JD8206	BEARING CUP	1	X X	
16	AT28975	SEAL	1	X X	
17	H125838	O-RING	1	X X	
18	H125740	SHIM	1	X X	0.08(MM)
	H125741	SHIM	AR	X X	0.13(MM)
	H125742	SHIM	AR	X X	0.25(MM)
	H125743	SHIM	AR	X X	0.50(MM)
19	24M7242	WASHER	4	X X	21.400 X 42 X 5 MM
20	19H1782	CAP SCREW	2	X X	3/4" X 2-1/4"
21	19H2000	CAP SCREW	2	X X	3/4" X 5"
22	19M7791	SCREW	AR	X X	M12 X 40, (-6DEC99)-4 USED; (6DEC99-)-2 USED)
23	14M7299	FLANGE NUT	4	X X	M12
24	AH151653	BALL BEARING	1	X X	
25	H152924	SHEAVE	1	X X	
26	JD7797	LUBRICATION FITTING	1	X X	
27	14M7296	FLANGE NUT	4	X X	M10
28	H101878	HUB	1	X X	
29	AH117643	SEAL	1	X X	
30	H144834	HOUSING	1	X X	
31	R26906	O-RING	1	X X	
32	R27474	DRAIN PLUG	1	X X	
33	19M7835	SCREW	6	X X	M10 X 35
34	19M7812	SCREW	2	X X	M10 X 100
35	H129934	SHAFT	1	X X	
36	26M6787	SHAFT KEY	1	X X	10 X 32 MM
37	H75385	PRESSED FLANGED HOUSING	1	X X	
38	19M8306	SCREW	4	X X	M12 X 50
39	H129935	SHEAVE	1	X X	
40	24H1481	WASHER	1	X X	1-5/32" X 2" X 0.134"
41	H82619	LOCK NUT	1	X X	
42	24M7055	WASHER	4	X X	8.400 X 16 X 1.600 MM
43	H170303	COVER	1	X X	
44	H88771	ISOLATOR	1	X X	
45	H79910	DOWEL PIN	2	X X	
46	19M7815	SCREW	2	X X	M12 X 60
47	H167792	GUARD	1	X X	
48	19M7786	SCREW	2	X X	M10 X 30
..	TY24345	LIQUID GASKET	1	X X	(3 OZ.)
..	DE18550	GEAR CASE	1	X	INCLUDES 3-DISK CLUTCH, LESS DIPSTICK
..	DE18915	GEAR CASE	1	X	INCLUDES 4-DISK CLUTCH, LESS DIPSTICK

3111

DRIVES

MAIN GEARCASE (9650 STS)
HP8207 -UN-14MAY99



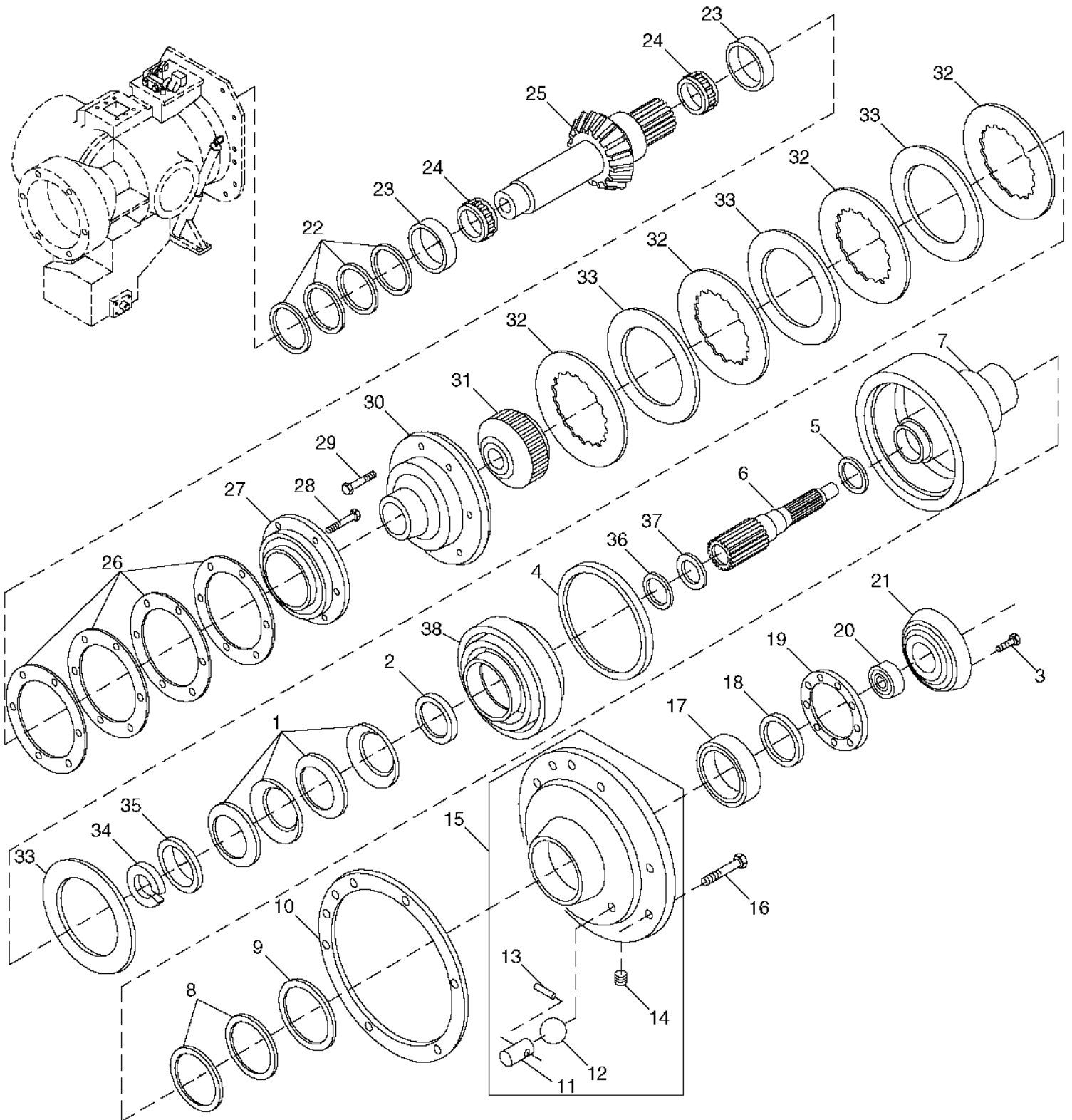
HP8207

MAIN GEARCASE (9650 STS) - CONTINUED

KEY	PART NO.	PART NAME	QTY	SERIAL NO.	REMARKS
					9 9
					6 7
					5 5
					0 0
1	T50415	DISK SPRING	4	X	
2	T62508	WASHER	1	X	
3	19M7863	SCREW	8	X	M6 X 25
4	T62509	WASHER	1	X	
5	CE17940	SNAP RING	1	X	
6	CE17888	DRIVE SHAFT	1	X	
7	CE18181	DRUM	1	X	
8	R77764	RING	2	X	
9	R76937	WASHER	1	X	
10	H125354	GASKET	1	X	
11	R68824	SEAT	1	X	
12	400R	BALL	1	X	
13	H111474	PIN	1	X	
14	15H559	PIPE PLUG	1	X	
15	AH120737	HOUSING	1	X	
16	19M7835	SCREW	6	X	M10 X 35
17	JD8676	BALL BEARING	1	X	
18	T14323	SNAP RING	1	X	
19	H125356	GASKET	1	X	
20	AH158595	SEAL	1	X	
21	H148769	HOUSING	1	X	
22	H119028	SHIM	1	X	0.08(MM)
	H119029	SHIM	AR	X	0.13(MM)
	H119030	SHIM	AR	X	0.25(MM)
	H119031	SHIM	AR	X	0.50(MM)
23	JD8206	BEARING CUP	2	X	
24	JD8162	BEARING CONE	2	X	
25	DE18571	GEAR	1	X	(MATCHED SET, 26 TEETH, 35 TEETH)
26	H125740	SHIM	1	X	0.08 (MM)
	H125741	SHIM	AR	X	0.13 (MM)
	H125742	SHIM	AR	X	0.25 (MM)
	H125743	SHIM	AR	X	0.50 (MM)
27	H125733	HOUSING	1	X	
28	19M7835	SCREW	6	X	M10 X 35
29	19M7786	SCREW	6	X	M10 X 30
30	H144762	HUB	1	X	
31	DE19018	HUB	1	X	
32	AH125490	CLUTCH DISK	3	X	
33	T70309	PLATE	3	X	
34	T50409	SNAP RING	1	X	
35	T49676	RETAINER	1	X	
36	40M7090	SNAP RING	1	X	
37	CE18399	WASHER	1	X	
38	H128937	PISTON	1	X	
..	DE18550	GEAR CASE	1	X	INCLUDES 3-DISK CLUTCH, LESS DIPSTICK
..	TY9374	SEALANT	1	X	(6ML)

3113

MAIN GEARCASE (9750 STS)
HP9233 -UN-29OCT99



HP9233

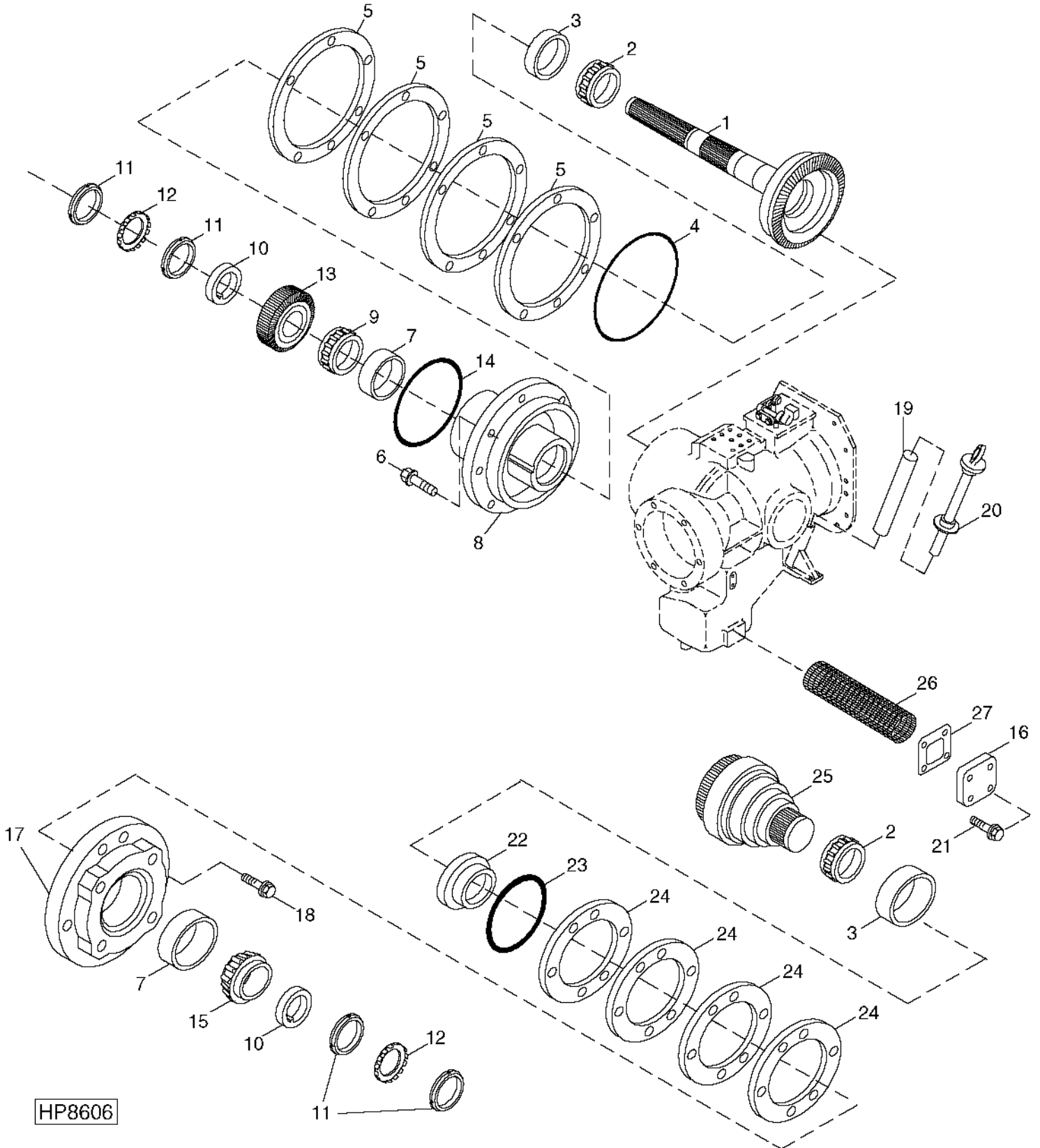
MAIN GEARCASE (9750 STS) - CONTINUED

KEY	PART NO.	PART NAME	QTY	SERIAL NO.	REMARKS
				9 9	
				6 7	
				5 5	
				0 0	
1	T50415	DISK SPRING	5		X
2	T62508	WASHER	1		X
3	19M7863	SCREW	8		X M6 X 25
4	CE17900	WASHER	1		X
5	CE17940	SNAP RING	1		X
6	CE17888	DRIVE SHAFT	1		X
7	CE17886	DRUM	1		X
8	R77764	RING	2		X
9	R76937	WASHER	1		X
10	H125354	GASKET	1		X
11	R68824	SEAT	1		X
12	400R	BALL	1		X
13	H111474	PIN	1		X
14	15H559	PIPE PLUG	1		X
15	AH120737	HOUSING	1		X
16	19M7835	SCREW	6		X M10 X 35
17	JD8676	BALL BEARING	1		X
18	T14323	SNAP RING	1		X
19	H125356	GASKET	1		X
20	AH158595	SEAL	1		X
21	H148769	HOUSING	1		X
22	H119028	SHIM	1		X 0.08(MM)
	H119029	SHIM	AR		X 0.13(MM)
	H119030	SHIM	AR		X 0.25(MM)
	H119031	SHIM	AR		X 0.50(MM)
23	JD8206	BEARING CUP	2		X
24	JD8162	BEARING CONE	2		X
25	DE18571	GEAR	1		X (MATCHED SET, 26 TEETH, 35 TEETH)
26	H125740	SHIM	AR		X 0.08 (MM)
	H125741	SHIM	AR		X 0.13 (MM)
	H125742	SHIM	1		X 0.25 (MM)
	H125743	SHIM	4		X 0.50 (MM)
27	H125733	HOUSING	1		X
28	19M7835	SCREW	6		X M10 X 35
29	19M7786	SCREW	6		X M10 X 30
30	CE17885	HUB	1		X
31	DE18734	HUB	1		X
32	AH125490	CLUTCH DISK	4		X
33	T70309	PLATE	4		X
34	T50409	SNAP RING	1		X
35	T49676	RETAINER	1		X
36	40M7090	SNAP RING	1		X
37	CE18399	WASHER	1		X
38	CE17887	PISTON	1		X
..	TY9374	SEALANT	1		(6 ML)
..	DE18915	GEAR CASE	1		INCLUDES 4-DISK CLUTCH, LESS DIPSTICK

3115

DRIVES

MAIN GEARCASE
HP8606 -UN-13JUL99

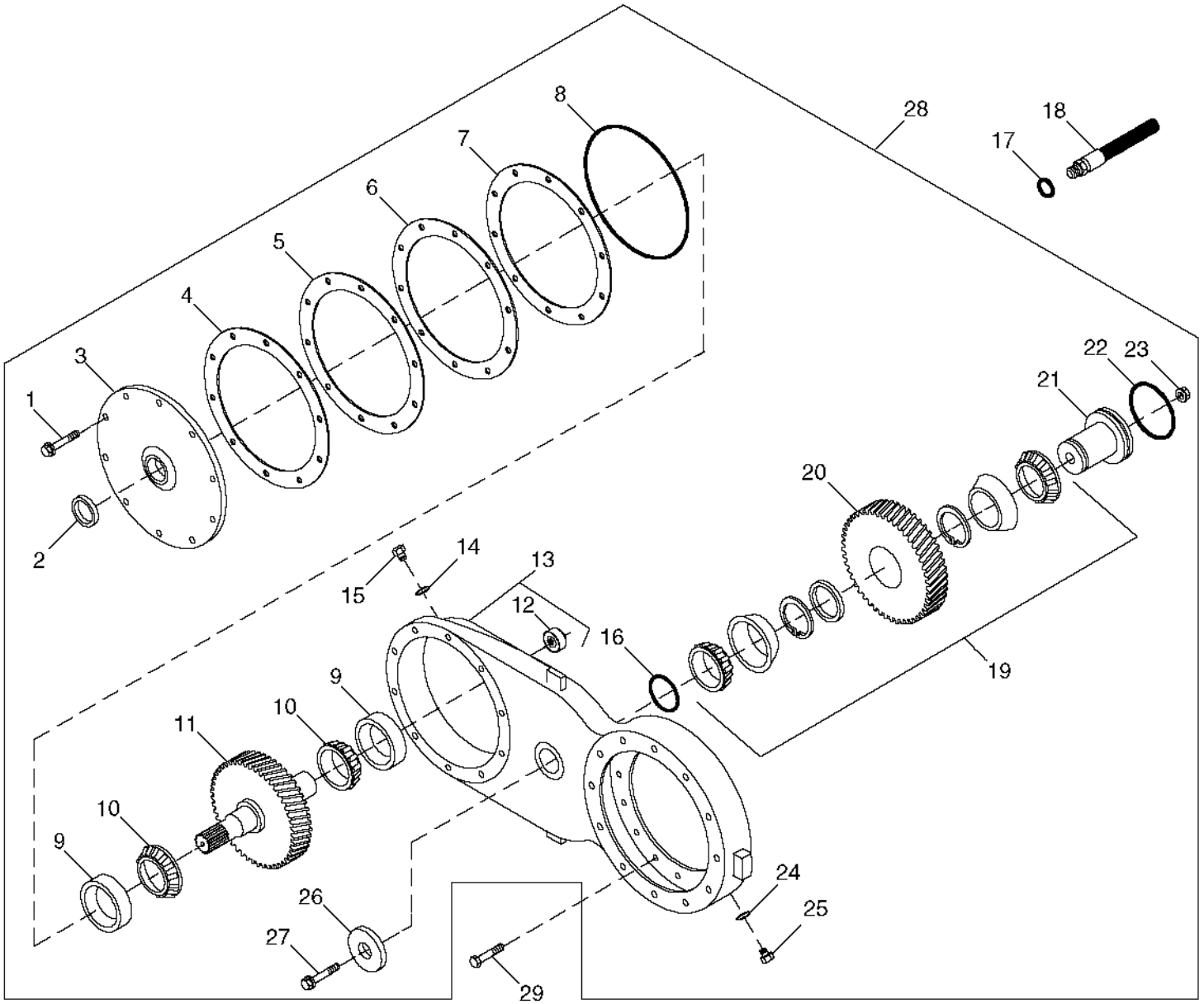


MAIN GEARCASE - CONTINUED

KEY	PART NO.	PART NAME	QTY	SERIAL NO.	REMARKS
				9 9	
				6 7	
				5 5	
				0 0	
1	DE18569	GEAR	1	X X	(MATCHED SET, 37 TEETH, 56 TEETH)
2	JD9075	BEARING CONE	2	X X	
3	JD9132	BEARING CUP	2	X X	
4	H125839	O-RING	1	X X	
5	CE17450	SHIM	1	X X	0.08(MM)
	CE17451	SHIM	AR	X X	0.13(MM)
	CE17452	SHIM	AR	X X	0.25(MM)
	CE17453	SHIM	AR	X X	0.50(MM)
6	19M7835	SCREW	3	X X	M10 X 35
7	JD8206	BEARING CUP	2	X X	
8	CE17425	HOUSING	1	X X	
9	JD8162	BEARING CONE	1	X X	
10	H110800	LOCK WASHER	2	X X	
11	H122650	LOCK NUT	4	X X	
12	H110801	LOCK WASHER	2	X X	
13	CE17434	GEAR	1	X X	
14	CE18446	O-RING	2	X X	
15	JD9007	BEARING CONE	1	X X	
16	H126793	COVER	1	X X	
17	H125738	HOUSING	1	X X	
18	19M7805	SCREW	5	X X	M10 X 45
19	H132995	TUBE	1	X X	
20	AH151652	DIPSTICK	1	X X	(SUB AH168684)
	AH168684	DIPSTICK	1	X X	
21	19M7868	SCREW	4	X X	M8 X 30
22	H125837	OIL CUP	1	X X	
23	R72032	O-RING	1	X X	
24	H125734	SHIM	1	X X	0.08(MM)
	H125735	SHIM	AR	X X	0.13(MM)
	H125736	SHIM	AR	X X	0.25(MM)
	H125737	SHIM	AR	X X	0.50(MM)
25	DE18571	GEAR	1	X X	(MATCHED SET, 26 TEETH, 35 TEETH)
26	CE18104	SCREEN	1	X X	
27	H126792	GASKET	1	X X	
..	DE18550	GEAR CASE	1	X	INCLUDES 3-DISK CLUTCH, LESS DIPSTICK
..	DE18915	GEAR CASE	1	X	INCLUDES 4-DICK CLUTCH, LESS DIPSTICK
..	T43513	ADHESIVE	1		THREAD LOCK AND SEALER (HIGH STRENGTH) USE ON DIPSTICK TUBE

3117

TRANSFER GEARBOX
HP9230 -UN-29OCT99



HP9230

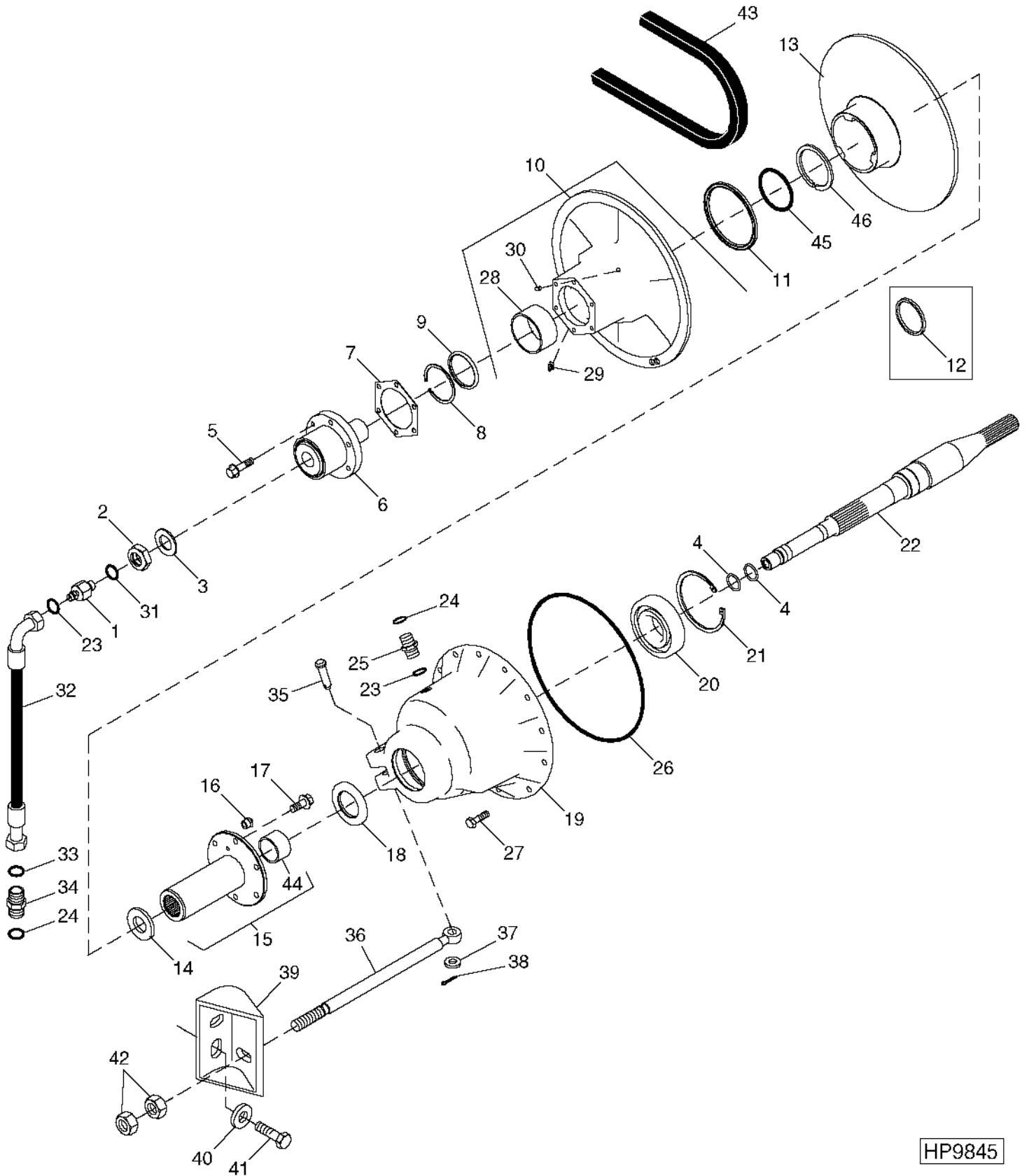
TRANSFER GEARBOX - CONTINUED

KEY	PART NO.	PART NAME	QTY	SERIAL NO.	REMARKS
				9 9	
				6 7	
				5 5	
				0 0	
1	19M7835	SCREW	10	X X	M10 X 35
2	AZ33988	SEAL	1	X X	
3	CE17427	SLEEVE	1	X X	
4	CE17525	SHIM	2	X X	
5	CE17526	SHIM	1	X X	
6	CE17527	SHIM	1	X X	
7	CE17528	SHIM	1	X X	
8	CE17454	O-RING	1	X X	
9	JD9144	BEARING CUP	2	X X	
10	JD9088	BEARING CONE	2	X X	
11	CE17439	GEAR	1	X X	
12	E62917	ORIFICE	1	X X	
13	DE19069	HOUSING	1	X X	
14	R26448	O-RING	1	X X	
15	R27218	FITTING PLUG	1	X X	
16	U15973	O-RING	1	X X	
17	R26448	O-RING	1	X X	
18	DE18611	HYDRAULIC HOSE	1	X X	
19	DE18556	THRUST BEARING	1	X X	
20	CE17440	GEAR	1	X X	
21	CE17441	AXLE	1	X X	
22	T42302	O-RING	1	X X	
23	14M7291	FLANGE NUT	1	X X	M16
24	R26906	O-RING	1	X X	
25	R27474	DRAIN PLUG	1	X X	
26	CE18486	WASHER	1	X X	
27	19M7829	SCREW	1	X X	M16 X 130
28	DE18554	GEAR CASE	1	X X	
29	19M7819	SCREW	13	X X	M12 X 90

3119

DRIVES

SEPARATOR DRIVE VARIABLE SPEED
HP9845 -UN-19JUN00



HP9845

SEPARATOR DRIVE VARIABLE SPEED - CONTINUED

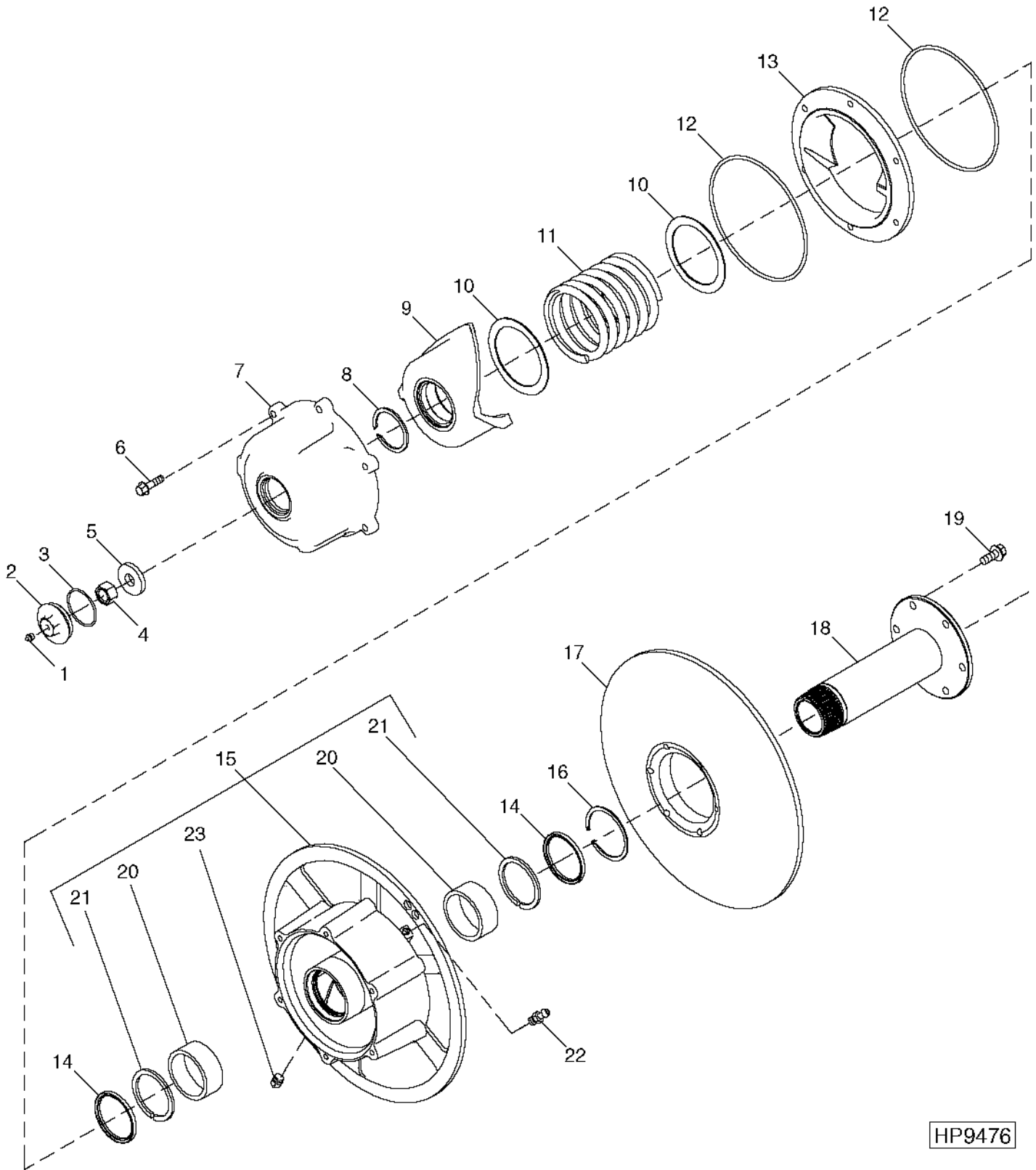
KEY	PART NO.	PART NAME	QTY	SERIAL NO.	REMARKS
					9 9
					6 7
					5 5
					0 0
1	AH144144	UNION FITTING	1		X X
2	H165447	LOCK NUT	1		X X
3	24H1668	WASHER	1		X X 1-17/64" X 2-1/4" X 0.134"
4	R1225R	O-RING	2		X X
5	19M8162	CAP SCREW	6		X X M10 X 40
6	AH144143	HYDRAULIC CYLINDER	1		X X
	AH161751	SEAL KIT	1		X X
7	H150368	SHIM	1		X X
8	T48776	SNAP RING	1		X X
9	AH144147	SEAL	1		X X
10	AH168572	SHEAVE	1		X X (SUB FOR AH156081)
11	AH136497	SEAL	1		X X
12	H164165	SEAL	1	-690100	X X
13	H156321	SHEAVE	1		X X
14	24H1542	WASHER	1		X X 1-17/32" X 3" X 5/16"
15	AH159143	HUB	1	-690100	X X
	H173373	HUB	1	690101-	X X
16	AE38448	RELIEF VALVE	1		X X
17	19M7789	SCREW	6		X X M12 X 30
18	AH144149	SEAL	1		X X
19	H151592	BEARING HOUSING W/O BEARING	1		X X
20	AH144150	BALL BEARING	1		X X
21	40M7232	SNAP RING	1		X X
22	H173375	SHAFT	1		X X (SUB FOR H165518)
23	T77814	O-RING	2		X X
24	R26448	O-RING	1		X X
25	38H1168	ADAPTER	1		X X
26	H150693	O-RING	1		X X
27	19M7790	SCREW	2		X X M12 X 35
	19M7818	SCREW	10		X X M12 X 80
28	H150201	BUSHING	1		X X
29	JD7759	LUBRICATION FITTING	1		X X
30	15H638	PIPE PLUG	1		X X
31	R26375	O-RING	1		X X
32	AH153816	HYDRAULIC HOSE	1		X X
33	T77613	O-RING	1		X X
34	38H1160	ADAPTER	1		X X
35	R53296	PIN	1		X X
36	AH145989	EYEBOLT	1		X X
37	24H1448	WASHER	1		X X 1-1/32" X 1-1/2" X 0.120"
38	11M7038	COTTER PIN	1		X X 6.300 X 40 MM
39	H151917	BRACKET	1		X X
40	12H294	LOCK WASHER	2		X X 5/8"
41	19H1824	CAP SCREW	2		X X 5/8" X 2-1/4"
42	14M7533	NUT	2		X X M30
43	H165545	BELT	1		X X 3070 MM
44	H165439	BUSHING	1		X X
45	R26543	O-RING	1	690101-	X X 2.975" X 0.210"
46	P48703	SNAP RING	1	690101-	X X

3I21

DRIVES

SEPARATOR DRIVE TORQUE SENSING - DRIVEN

HP9476 -UN-13JAN00

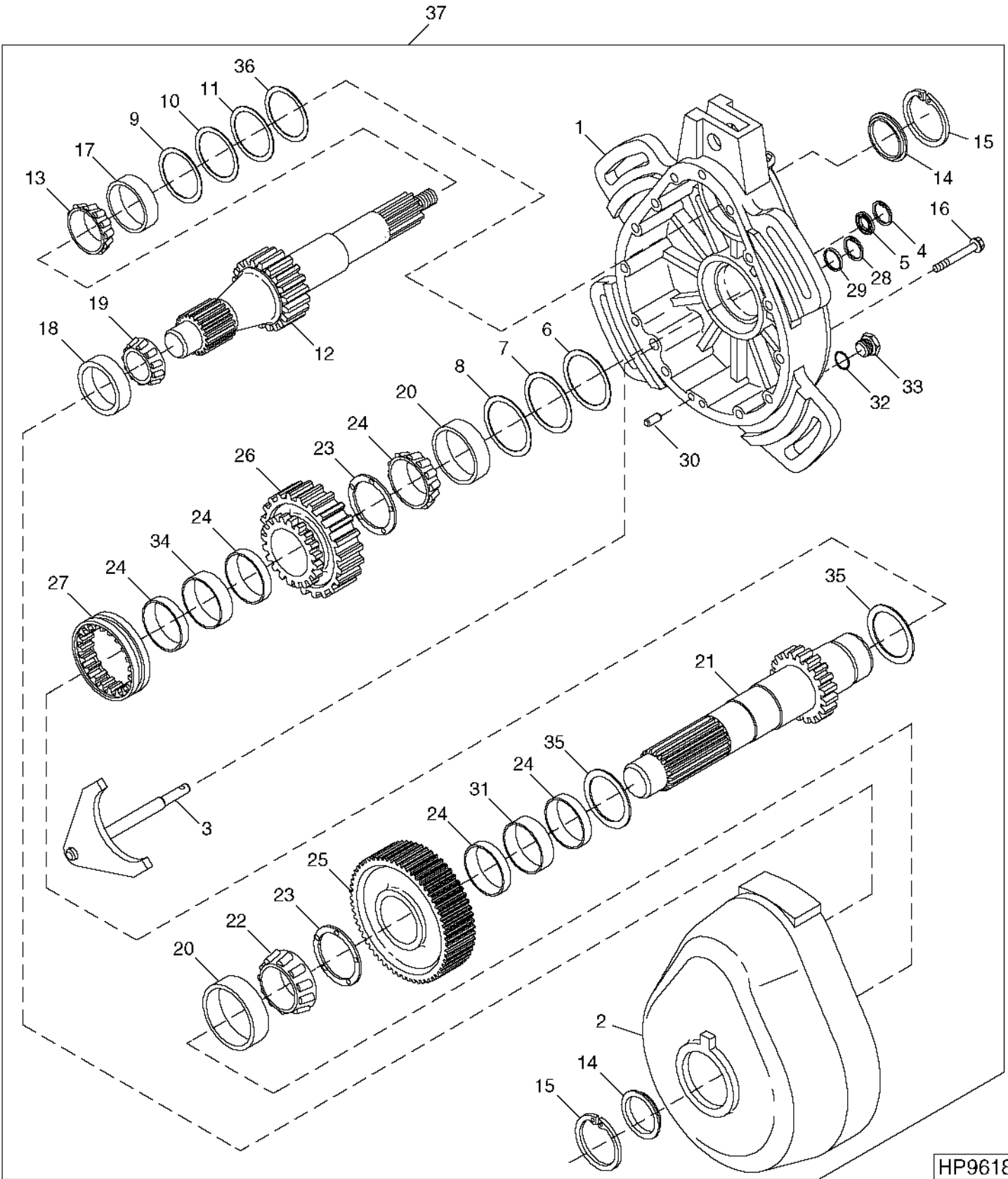


HP9476

SEPARATOR DRIVE TORQUE SENSING - DRIVEN - CONTINUED

KEY	PART NO.	PART NAME	QTY	SERIAL NO.	9 9 6 7 5 5 0 0	REMARKS
1	AE38448	RELIEF VALVE	1		X X	
2	H150503	PLUG	1		X X	
3	R43750	O-RING	1		X X	
4	A31870	LOCK NUT	1		X X	
5	H169149	WASHER	1		X X	
6	19M8162	CAP SCREW	6		X X	M10 X 40
7	H150080	COVER	1		X X	
8	H168131	SNAP RING	1		X X	
9	H164062	CAM	1	-690100	X X	
	H173606	CAM	1	690101-	X X	
10	H150609	WASHER	2		X X	
11	H164259	COMPRESSION SPRING	1		X X	
12	H150502	O-RING	2		X X	
13	H164061	CAM	1		X X	
14	AH144147	SEAL	2		X X	
15	AH154007	SHEAVE	1		X X	
16	T48776	SNAP RING	1		X X	
17	H173124	SHEAVE	1		X X	
18	AH159142	HUB	1	-690100	X X	
	H173374	HUB	1	690101-	X X	
19	19M7789	SCREW	6		X X	M12 X 30
20	H150201	BUSHING	2		X X	
21	T12486	RING	2		X X	
22	JD7759	LUBRICATION FITTING	1		X X	
23	15H638	PIPE PLUG	1		X X	

TWO SPEED GEARBOX
HP9618 -UN-03APR00



HP9618

TWO SPEED GEARBOX - CONTINUED

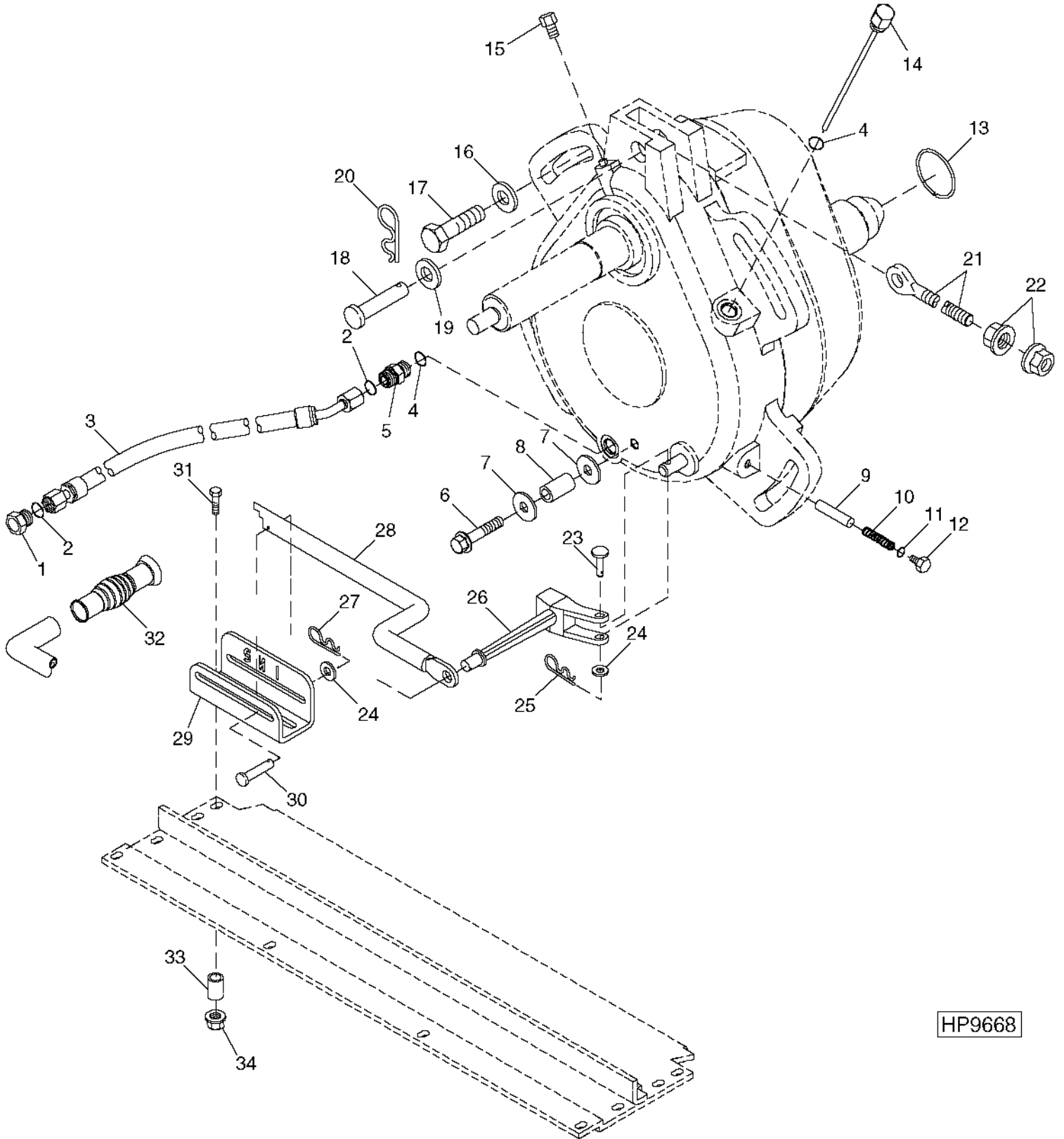
KEY	PART NO.	PART NAME	QTY	SERIAL NO.	REMARKS
				9 9	
				6 7	
				5 5	
				0 0	
1	CE17429	CAP	1	X X	
2	DE18617	HOUSING	1	X X	
3	DE18610	YOKE, WITH SHAFT	1	X X	
4	40M1856	SNAP RING	1	X X	
5	AT12820	SEAL	1	X X	
6	E55036	SHIM	1	X X	0.127MM
7	E55037	SHIM	AR	X X	0.178MM
8	E55038	SHIM	AR	X X	0.508MM
9	L31858	SHIM	1	X X	0.100MM
10	L31859	SHIM	AR	X X	0.200MM
11	L31860	SHIM	AR	X X	0.500MM
12	CE17442	DRIVE SHAFT	1	X X	
13	JD9086	BEARING CONE	1	X X	
14	DE18618	SEAL	2	X X	
15	40M1873	SNAP RING	2	X X	
16	19M7944	SCREW	14	X X	M10 X 120
17	JD9119	BEARING CUP	1	X X	
18	JD8223	BEARING CUP	1	X X	
19	JD8182	BEARING CONE	1	X X	
20	JD7292	BEARING CUP	2	X X	
21	CE18212	DRIVE SHAFT	1	X X	
22	JD7378	BEARING CONE	2	X X	
23	CE17533	THRUST WASHER	2	X X	
24	DE18934	NEEDLE BEARING	4	X X	
25	CE18213	GEAR	1	X X	LOW SPEED
26	CE18214	GEAR	1	X X	HI SPEED
27	CE18218	LOCKING COLLAR	1	X X	
28	40M1851	SNAP RING	1	X X	
29	CE18347	PLUG	1	X X	
30	44M7036	DOWEL PIN	2	X X	
31	CE18217	SPACER	1	X X	
32	R26375	O-RING	2	X X	
33	R39112	FITTING	2	X X	
34	CE18216	SPACER	1	X X	
35	CE18215	THRUST WASHER	2	X X	
36	CE18488	SHIM	1	X X	
37	DE18935	GEAR CASE	1	X X	LESS DIPSTICK, BREATHER AND SNAP RING IN OUTPUT SHAFT

3J1

DRIVES

TWO SPEED GEARBOX HOSES AND FITTINGS

HP9668 -UN-03APR00



HP9668

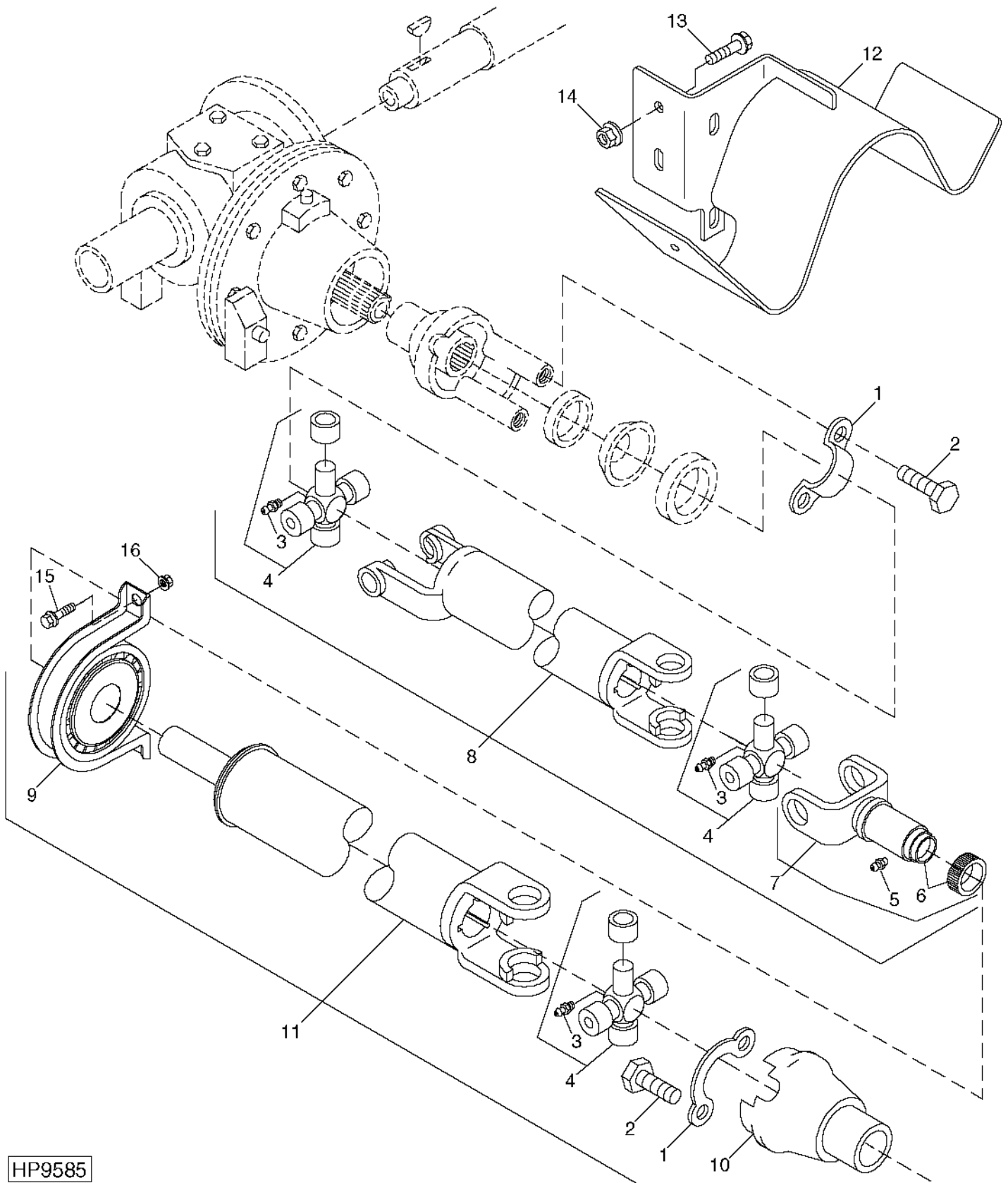
TWO SPEED GEARBOX HOSES AND FITTINGS - CONTINUED

KEY	PART NO.	PART NAME	QTY	SERIAL NO.	REMARKS
				9 9	
				6 7	
				5 5	
				0 0	
1	38H1147	FITTING PLUG	1	X X	
2	T77857	O-RING	1	X X	
3	AH148244	HYDRAULIC HOSE	1	X X	
4	R26375	O-RING	2	X X	
5	38H1161	ADAPTER	1	X X	
6	19M7815	SCREW	1	X X	M12 X 60
7	24M7180	WASHER	2	X X	13 X 37 X 3 MM
8	28H950	BUSHING	1	X X	0.546" X 0.840" X 1-1/2"
9	CE17532	PIN	1	X X	
10	T27716	SPRING	1	X X	
11	R26448	O-RING	1	X X	
12	R27218	FITTING PLUG	1	X X	
13	H169954	SNAP RING	1	X X	
14	AH155860	DIPSTICK	1	X X	(SUB AH168365)
	AH168365	DIPSTICK	1	X X	
15	AE38448	RELIEF VALVE	1	X X	
16	24H1106	WASHER	4	X X	11/16" X 1-3/4" X 0.134"
17	19M7794	SCREW	4	X X	M16 X 50
18	T128536	PIN	1	X X	
19	24M7091	WASHER	1	X X	
20	A15146	SPRING LOCKING PIN	1	X X	
21	H150158	EYEBOLT	1	X X	
22	14M7300	FLANGE NUT	2	X X	
23	A52086	PIN	1	X X	
24	24M7207	WASHER	2	X X	
25	11H236	COTTER PIN	1	X X	
26	H166413	LEVER	1	X X	
27	J16931	SPRING LOCKING PIN	2	X X	
28	H173661	ROD	1	X X	
29	H159511	SUPPORT	1	X X	
30	R68672	PIN	1	X X	
31	19M7806	SCREW	1	X X	
32	B15494	GRIP	1	X X	
33	H123918	SPACER	1	X X	
34	14M7296	FLANGE NUT	1	X X	

3J3

DRIVES

PRIMARY COUNTERSHAFT UNIVERSAL DRIVESHAFTS
HP9585 -UN-15FEB00



HP9585

3J4

DRIVES

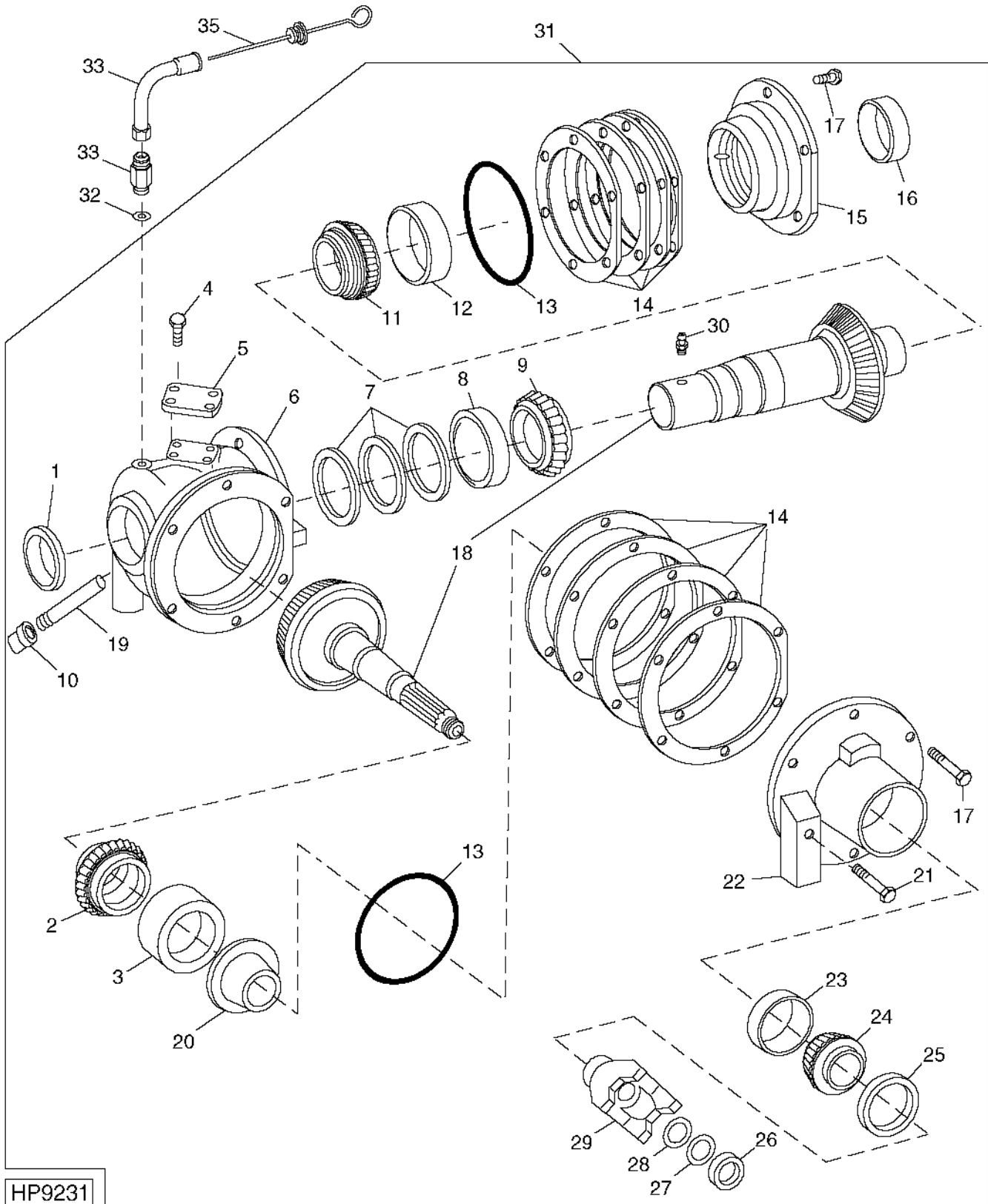
PRIMARY COUNTERSHAFT UNIVERSAL DRIVESHAFTS - CONTINUED

KEY	PART NO.	PART NAME	QTY	SERIAL NO.	9 9 6 7 5 5 0 0	REMARKS
1	R85168	CLAMP	4		X X	
2	R85169	SELF-LOCKING SCREW	8		X X	
3	JD7797	LUBRICATION FITTING	3		X X	
4	AH122018	UNIVERSAL JOINT	3		X	
	AH128226	UNIVERSAL JOINT	3		X	
5	JD7759	LUBRICATION FITTING	1		X	
	JD7797	LUBRICATION FITTING	1		X	
6	AH163004	CAP	1		X	
	AH163006	KIT	1		X	
7	AH163003	YOKE	1		X	
	AH163005	YOKE	1		X	
8	AH160390	UNIVERSAL DRIVESHAFT	1		X	
	AH145493	UNIVERSAL DRIVESHAFT	1		X	
9	AH163002	BEARING KIT	1		X X	
10	H121681	YOKE	1		X X	
11	AH160391	UNIVERSAL DRIVESHAFT	1		X	
	AH145494	UNIVERSAL DRIVESHAFT	1		X	
12	AH154879	SHIELD	1		X X	
13	19M7784	SCREW	3		X X	M10 X 20
14	14M7296	FLANGE NUT	3		X X	M10
15	19M7789	SCREW	2		X X	M12 X 30
16	14M7401	LOCK NUT	2		X X	M12

3J5

DRIVES

PRIMARY COUNTERSHAFT GEARCASE HP9231 -UN-29OCT99



3J6

DRIVES

PRIMARY COUNTERSHAFT GEARCASE - CONTINUED

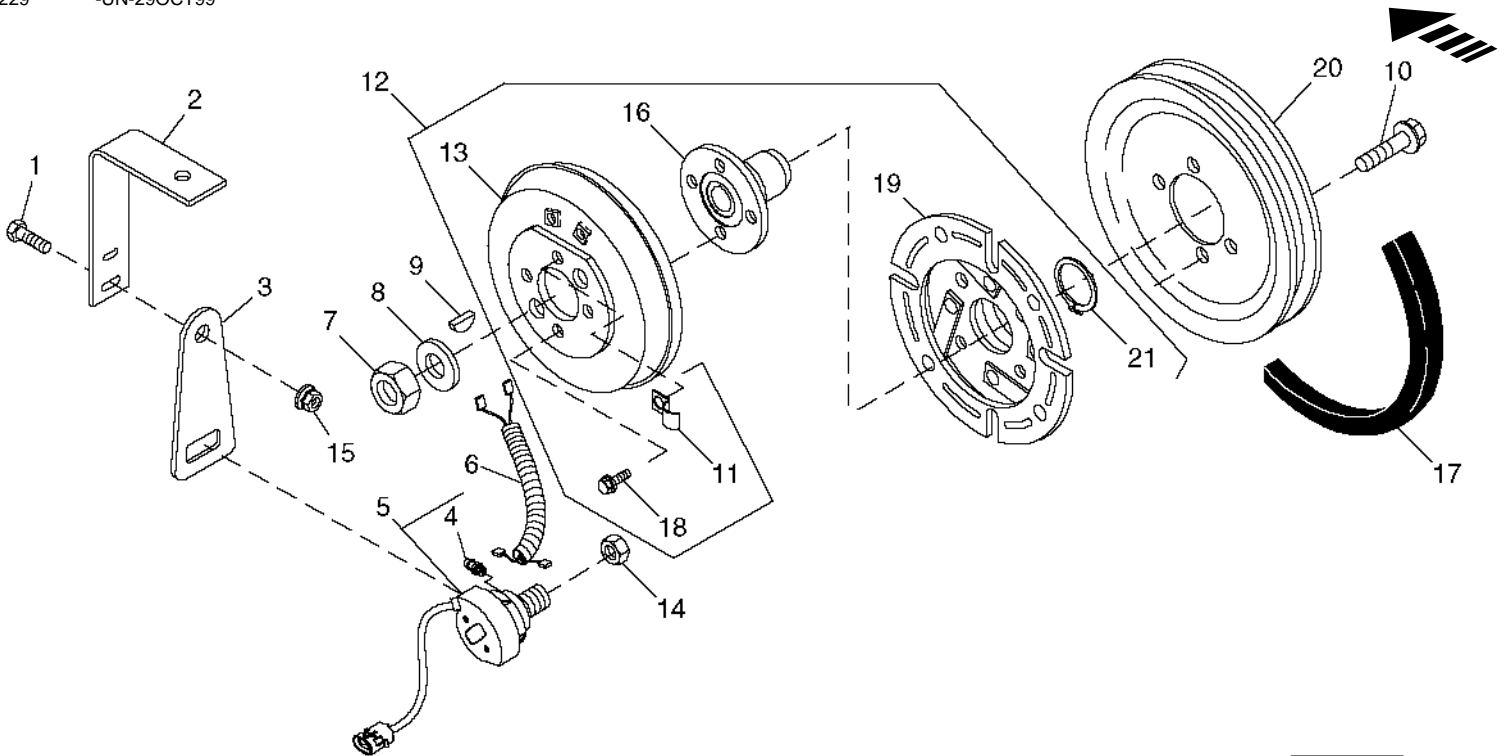
KEY	PART NO.	PART NAME	QTY	SERIAL NO.	REMARKS
				9 9	
				6 7	
				5 5	
				0 0	
1	AH137772	SEAL	1	X X	
2	JD9078	BEARING CONE	1	X X	
3	JD8255	BEARING CUP	1	X X	
4	19M7866	SCREW	4	X X	M8 X 20
5	H75267	COVER	1	X X	
6	H145001	GEAR CASE	1	X X	
7	T34354	SHIM	AR	X X	0.05MM (0.002")
	T34355	SHIM	AR	X X	0.13MM (0.005")
	T34356	SHIM	AR	X X	0.25MM (0.010")
8	JD8210	BEARING CUP	1	X X	
9	R120461	BEARING CONE	1	X X	
10	15H3	FITTING	1	X X	1/2"
11	JD7378	BEARING CONE	1	X X	
12	JD7292	BEARING CUP	1	X X	
13	H125838	O-RING	2	X X	
14	H114226	SHIM	2	X X	0.08MM (0.003") ONE PER SIDE
	H114227	SHIM	AR	X X	0.13MM (0.005")
	H114228	SHIM	AR	X X	0.25MM (0.010")
	H118927	SHIM	AR	X X	0.50MM (0.020")
15	H126564	HOUSING	1	X X	
16	E56866	SEAL	1	X X	
17	19M7786	SCREW	11	X X	M10 X 30
18	AH154701	GEAR	1	X X	(MATCHED SET, 41 TOOTH, 41 TOOTH)
19	29H217	THREADED NIPPLE	1	X X	1/2"
20	H129844	RETAINER	1	X X	
21	19M7807	SCREW	1	X X	M10 X 60
22	CE18400	HOUSING	1	X X	
23	JD7418	BEARING CUP	1	X X	
24	JD7395	BEARING CONE	1	X X	
25	AH137771	SEAL	1	X X	
26	N139123	NUT	1	X X	
27	H118920	LOCK WASHER	1	X X	
28	H118919	LOCK WASHER	1	X X	
29	H130409	YOKE	1	X	LARGE YOKE
	H121681	YOKE	1	X	SMALL YOKE
30	JD7797	LUBRICATION FITTING	1	X X	
31	AH154770	GEAR CASE	1	X	LARGE YOKE
	AH154768	GEAR CASE	1	X	SMALL YOKE
32	R26375	O-RING	1	X X	
33	H164518	ADAPTER	1	X X	
34	AH155864	DIPSTICK TUBE	1	X X	
35	AH161583	DIPSTICK	1	X X	(SUB AH168685)
	AH168685	DIPSTICK	1	X X	
..	T43512	SEALANT	1	X X	MEDIUM STRENGTH - 50 ML, CANADA NO. TY9477
..	TY24345	LIQUID GASKET	1	X X	6 ML, (3 OZ.) CANADA NO. TY9484
..	25M3827	GROOVE PIN	1	X X	3 X 8 MM, (INSERT THROUGH SERIAL NUMBER PLATE AND INTO GEARCASE)

3J7

DRIVES

HEADER ELECTROMAGNETIC CLUTCH

HP9229 -UN-29OCT99



HP9229

KEY	PART NO.	PART NAME	QTY	SERIAL NO.	REMARKS
				9 9	
				6 7	
				5 5	
				0 0	
1	19M7862	SCREW	1	X X	M6 X 20
2	H171621	BRACKET	1	X X	
3	H171030	STRAP	1	X X	
4	N10145	FITTING PLUG	1	X X	
5	AH162068	CARBON BRUSH HOLDER	1	X X	
6	AH134207	WIRING HARNESS	1	X X	
7	H165447	LOCK NUT	1	X X	
8	24H1668	WASHER	1	X X	1-17/64" X 2-1/4" X 0.134"
9	26H105	SHAFT KEY	1	X X	3/8" X 2-1/8"
10	19M7788	SCREW	4	X X	M12 X 25
11	AH77279	CLIP	1	X X	
12	AH167942	CLUTCH	1	X X	(SUB FOR AH154805)
13	AH121658	FIELD WINDING COIL	1	X X	
14	14H809	NUT	1	X X	1/2"
15	14M7303	FLANGE NUT	1	X X	M6
16	H168499	HUB	1	X X	
17	H156796	BELT	1	X X	STANDARD CAPACITY AND FIXED SPEED DRIVE
	H156541	BELT	1	X X	HI CAPACITY
18	19M7788	SCREW	4	X X	M12 X 25
19	AH161981	ARMATURE	1	X X	(SUB AH167942)
20	H161270	SHEAVE	1	X X	STANDARD CAPACITY
	H161293	SHEAVE	1	X X	HI CAPACITY
21	T44824	SNAP RING	1	X X	

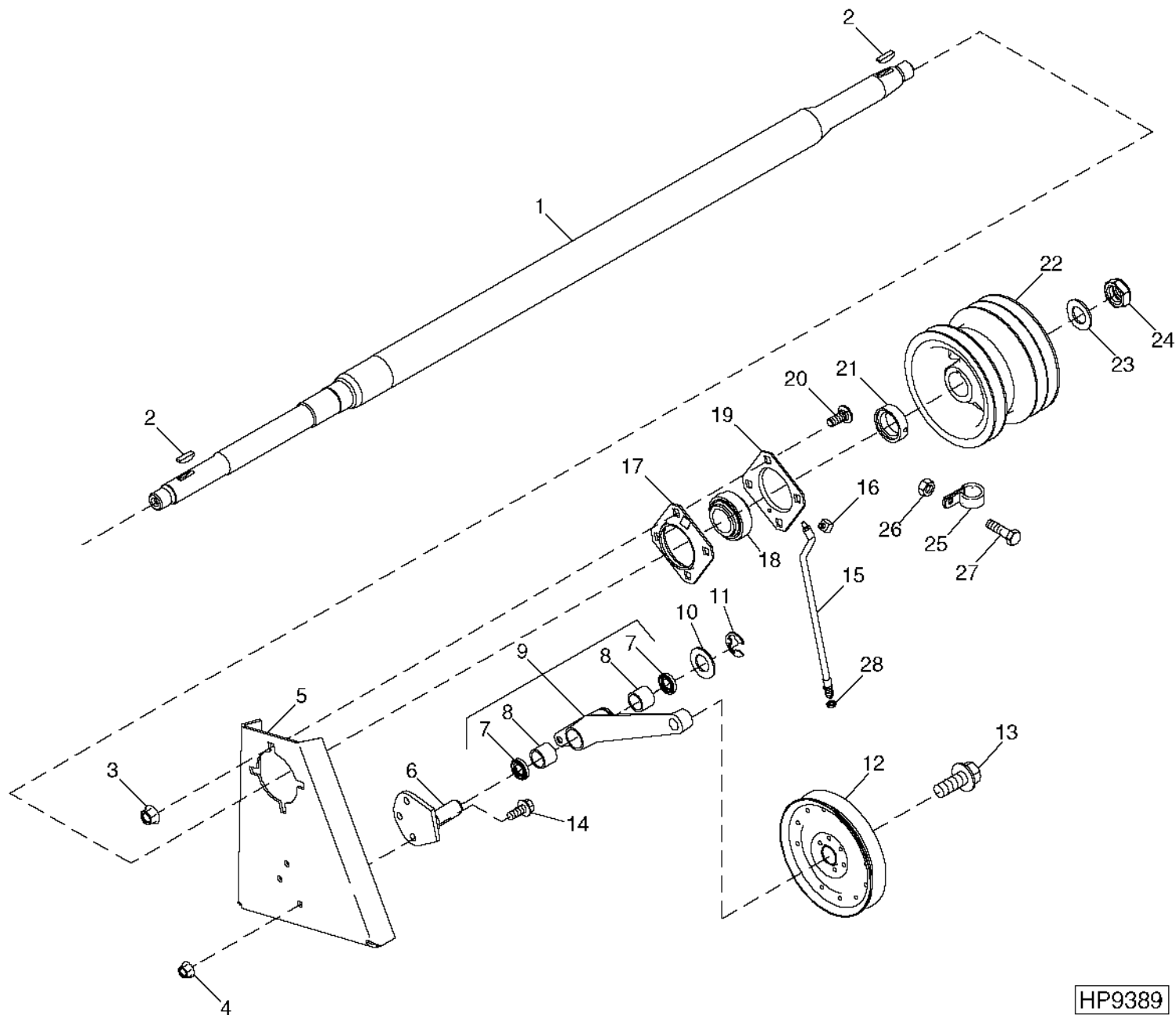
MEMORANDA

3J8

DRIVES

PRIMARY COUNTERSHAFT AND SHEAVE

HP9389 -UN-06DEC99



HP9389

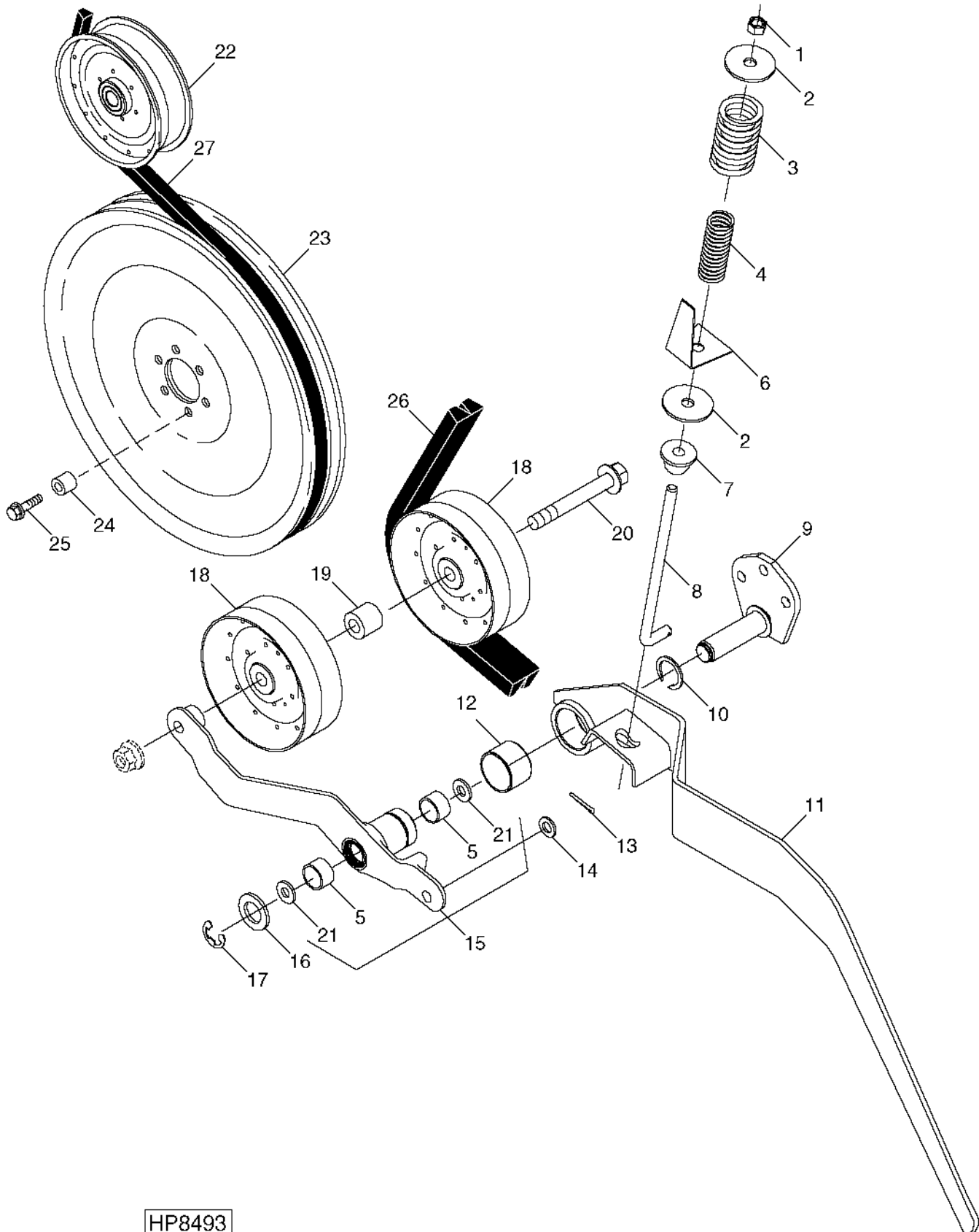
PRIMARY COUNTERSHAFT AND SHEAVE - CONTINUED

KEY	PART NO.	PART NAME	QTY	SERIAL NO.	REMARKS
				9 9	
				6 7	
				5 5	
				0 0	
1	H161599	SHAFT	1	X X	
2	26H105	SHAFT KEY	2	X X	3/8" X 2-1/8"
3	14M7299	FLANGE NUT	4	X X	M12
4	14M7296	FLANGE NUT	3	X X	M10
5	H150796	BRACKET	1	X X	
6	AH156051	SPRING PIN	1	X X	
7	AA5607R	SEAL	2	X X	
8	H99147	BUSHING	2	X X	(SUB H171061)
	H171061	BEARING	2	X X	
9	AH148072	ARM	1	X X	
10	24M7091	WASHER	1	X X	26 X 44 X 4 MM
11	P46402	SNAP RING	1	X X	
12	AH97031	IDLER	1	X X	
13	19M7794	SCREW	1	X X	M16 X 50
14	19M7785	SCREW	3	X X	M10 X 25
15	AH121005	HOSE	1	X X	
16	H171472	ADAPTER	1	X X	
17	H160465	PRESSED FLANGED HOUSING	1	X X	
18	JD9339	BALL BEARING	1	X X	
19	H160466	PRESSED FLANGED HOUSING	1	X X	
20	03M7198	BOLT	4	X X	M12 X 30
21	JD8579	ECCENTRIC LOCKING COLLAR	1	X X	
22	H158333	SHEAVE	1	X X	
23	24H1668	WASHER	1	X X	1-17/64" X 2-1/4" X 0.134"
24	H165447	LOCK NUT	1	X X	
25	AH80916	CLIP	1	X X	
26	14M7298	FLANGE NUT	1	X X	M8
27	19M7866	SCREW	1	X X	M8 X 20
28	E12379	NUT	1	X X	

3J10

FEED ACCELERATOR DRIVE IDLER ASSEMBLY

HP8493 -UN-20JUL99



HP8493

3J11

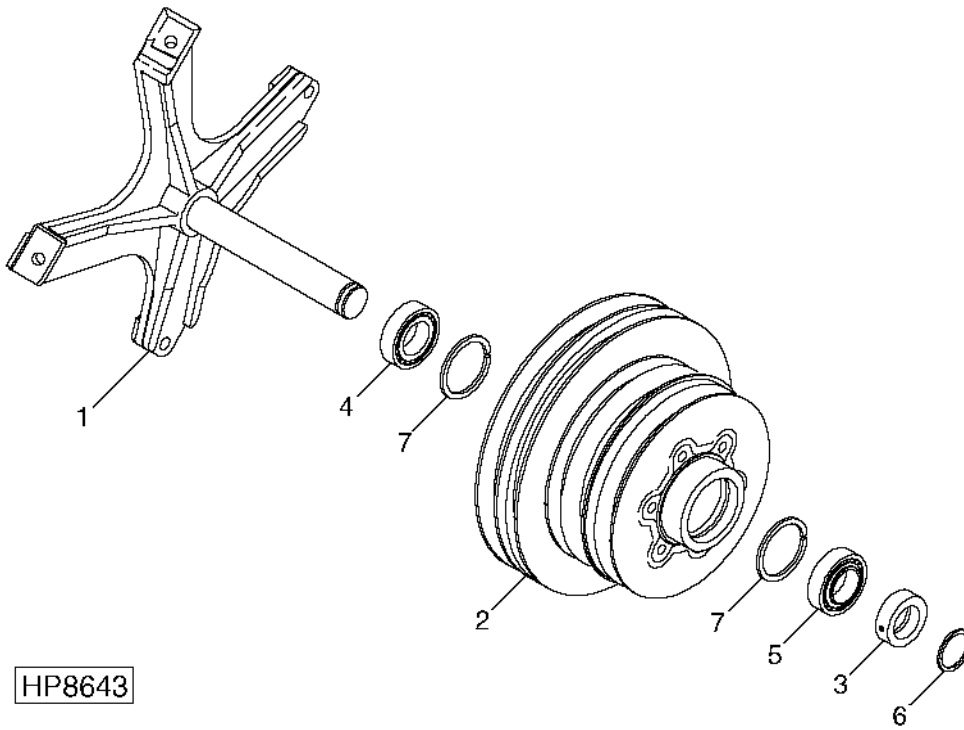
DRIVES

FEED ACCELERATOR DRIVE IDLER ASSEMBLY - CONTINUED

KEY	PART NO.	PART NAME	QTY	SERIAL NO.	REMARKS
				9 9	
				6 7	
				5 5	
				0 0	
1	14M7276	NUT	1	X X	M16
2	24M7103	WASHER	2	X X	17.500 X 56 X 5 MM
3	W25475	SPRING	1	X X	
4	T79938	COMPRESSION SPRING	1	X X	
5	H99147	BUSHING	2	X X	(SUB H171061)
	H171061	BEARING	2	X X	
6	H171039	GAUGE	1	X X	
7	H129208	PIVOT	1	X X	
8	H171040	BOLT	1	X X	
9	AH156051	SPRING PIN	1	X X	
10	U10457	SNAP RING	1	X X	
11	AH160595	ARM	1	X X	
12	H96996	BUSHING	1	X X	
13	11M7021	COTTER PIN	1	X X	4 X 25 MM
14	24M7047	WASHER	1	X X	13 X 24 X 2.500 MM
15	AH164925	ARM	1	X X	
16	24M7091	WASHER	1	X X	26 X 44 X 4 MM
17	P46402	SNAP RING	1	X X	
18	AH150900	PULLEY	2	X X	
19	H96690	SPACER	1	X X	
20	19M7846	SCREW	1	X X	M16 X 120
21	AA5607R	SEAL	2	X X	
22	AN104281	IDLER	1	X X	
23	H160992	SHEAVE	1	X X	
24	H165237	SPACER	1	X X	
25	19M7786	SCREW	6	X X	M10 X 30
26	H160831	BELT	1	X X	
	H172341	BELT	1	X X	SLOW SPEED AND RICE
27	AH150678	BELT	2	X X	
..	BH81691	COMPLETE GOODS/SHIP. BUNDLE	1	X X	FRONT ACCELERATOR SLOW SPEED CONVERSION

3J12

FEED ACCELERATOR DRIVER SECONDARY JACKSHAFT
 HP8643 -UN-15JUN99



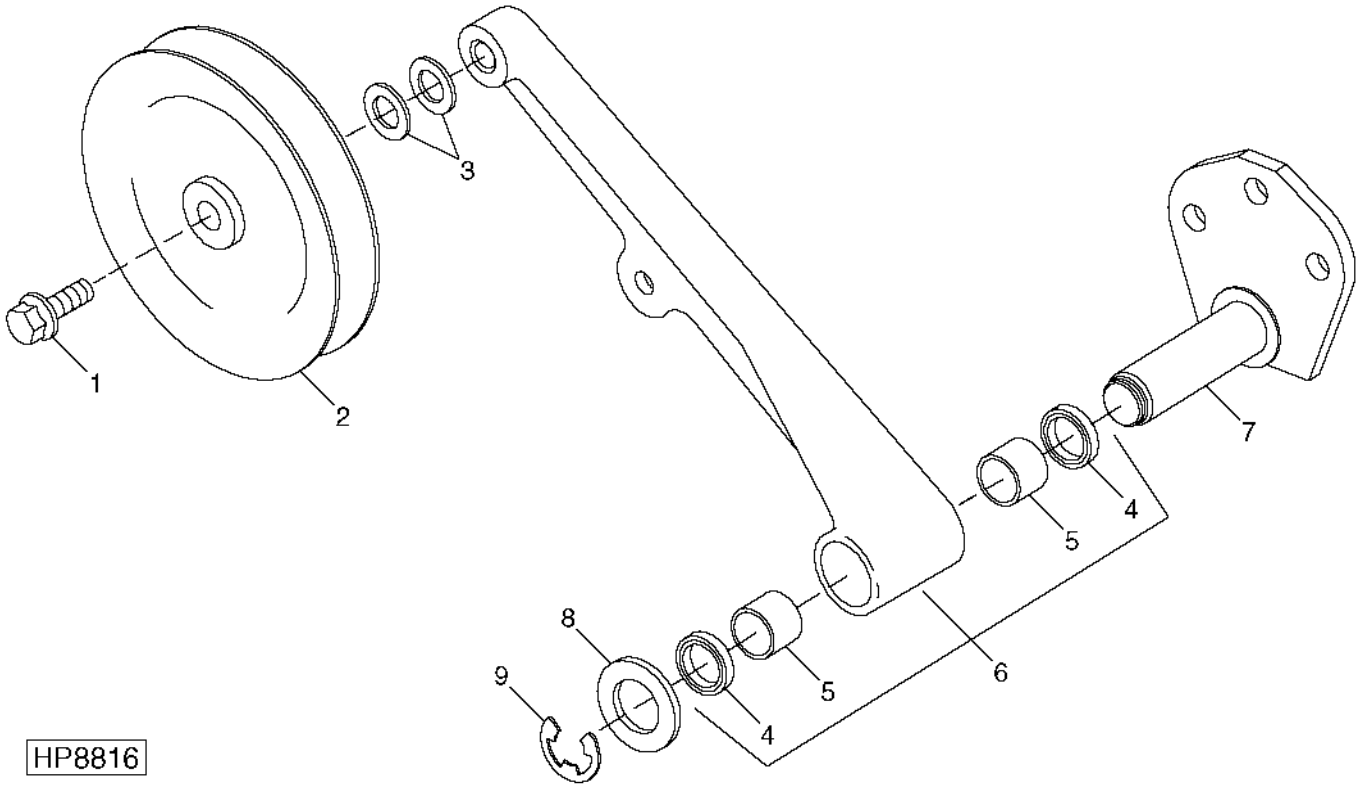
KEY	PART NO.	PART NAME	QTY	SERIAL NO.	REMARKS
1	AH158812	JACKSHAFT	1	9 9	
2	H158358	SHEAVE	1	6 7	
	H172339	SHEAVE	1	5 5	
3	JD8576	ECCENTRIC LOCKING COLLAR	1	0 0	
4	JD9301	BALL BEARING	1		
5	JD9356	BALL BEARING	1		
6	P44478	SNAP RING	1		
7	P46874	SNAP RING	2		
..	BH81691	COMPLETE GOODS/SHIP. BUNDLE	1	X X	FRONT ACCELERATOR SLOW SPEED CONVERSION

3J13

DRIVES

IDLER ASSEMBLY - CLEAN GRAIN ELEVATOR DRIVE

HP8816 -UN-09JUL99

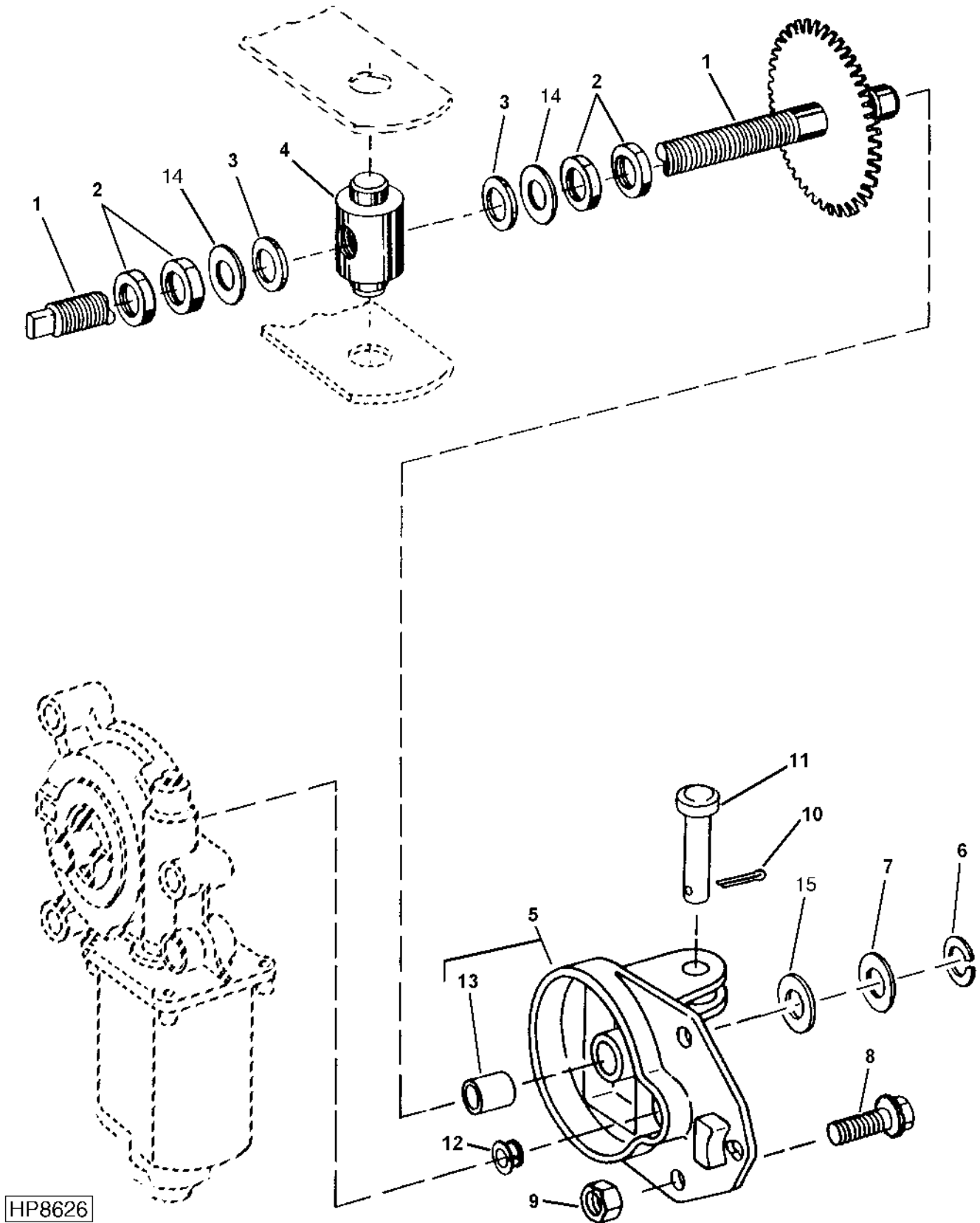


HP8816

KEY	PART NO.	PART NAME	QTY	SERIAL NO.	REMARKS
				9 9	
				6 7	
				5 5	
				0 0	
1	19M7794	SCREW	1	X X	M16 X 50
2	AN15237	IDLER	1	X X	
3	24M7053	WASHER	2	X X	17 X 30 X 3 MM
4	AA5607R	SEAL	2	X X	
5	H99147	BUSHING	2	X X	(SUB H171061)
	H171061	BEARING	2	X X	
6	AH146552	ARM	1	X X	
7	AH156051	SPRING PIN	1	X X	
8	24M7091	WASHER	1	X X	26 X 44 X 4 MM
9	P46402	SNAP RING	1	X X	

3J14

FAN DRIVE SPEED CONTROL SUPPORT AND SHAFT
HP8626 -UN-03JUN99



HP8626

3J15

DRIVES

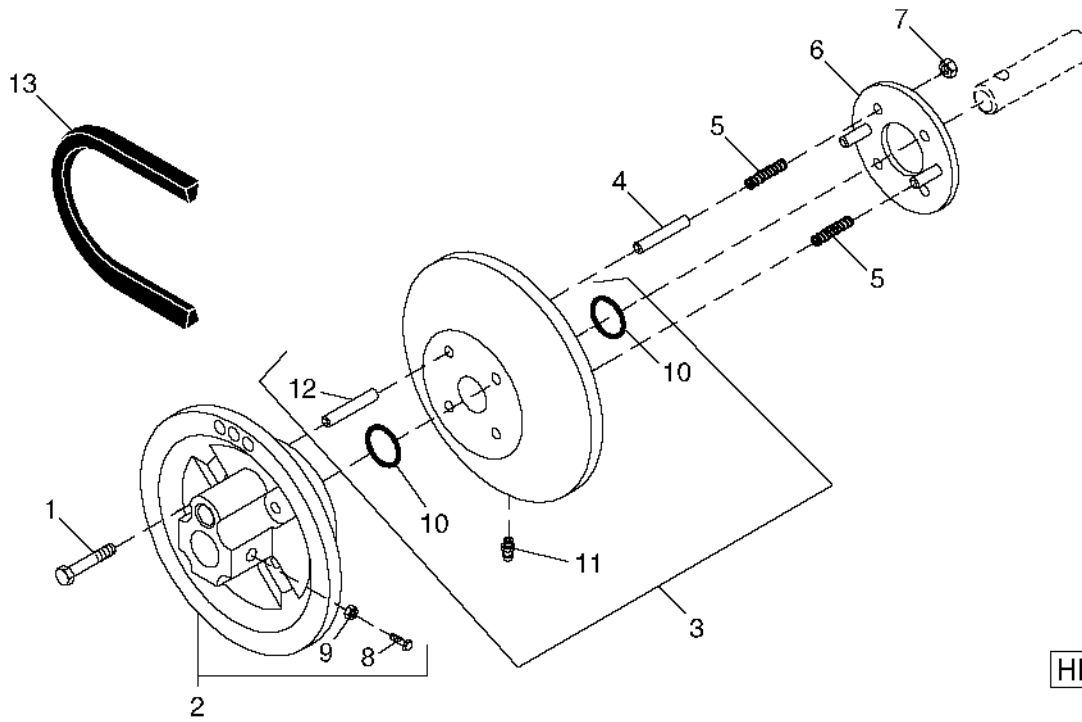
FAN DRIVE SPEED CONTROL SUPPORT AND SHAFT - CONTINUED

KEY	PART NO.	PART NAME	QTY	SERIAL NO.	REMARKS
				9 9	
				6 7	
				5 5	
				0 0	
1	AH128384	SHAFT	1	X X	
2	14M7382	NUT	4	X X	M16
3	H140397	THRUST WASHER	2	X X	
4	H133199	TRUNNION	1	X X	
5	AH143904	SUPPORT	1	X X	
6	H25099	SNAP RING	1	X X	
7	H139132	SPACER	1	X X	
8	19M8321	SCREW	3	X X	M6 X 45
9	14M7165	LOCK NUT	3	X X	M6
10	11M7059	COTTER PIN	1	X X	3.200 X 20 MM
11	45M7045	PIN	1	X X	12 X 90 MM
12	H89515	WASHER	1	X X	
13	H91788	BUSHING	1	X X	
14	R73290	WASHER	2	X X	
15	R64059	WASHER	1	X X	

3J16

DRIVES

CLEANING FAN DRIVE
HP8624 -UN-27JUL99



HP8624

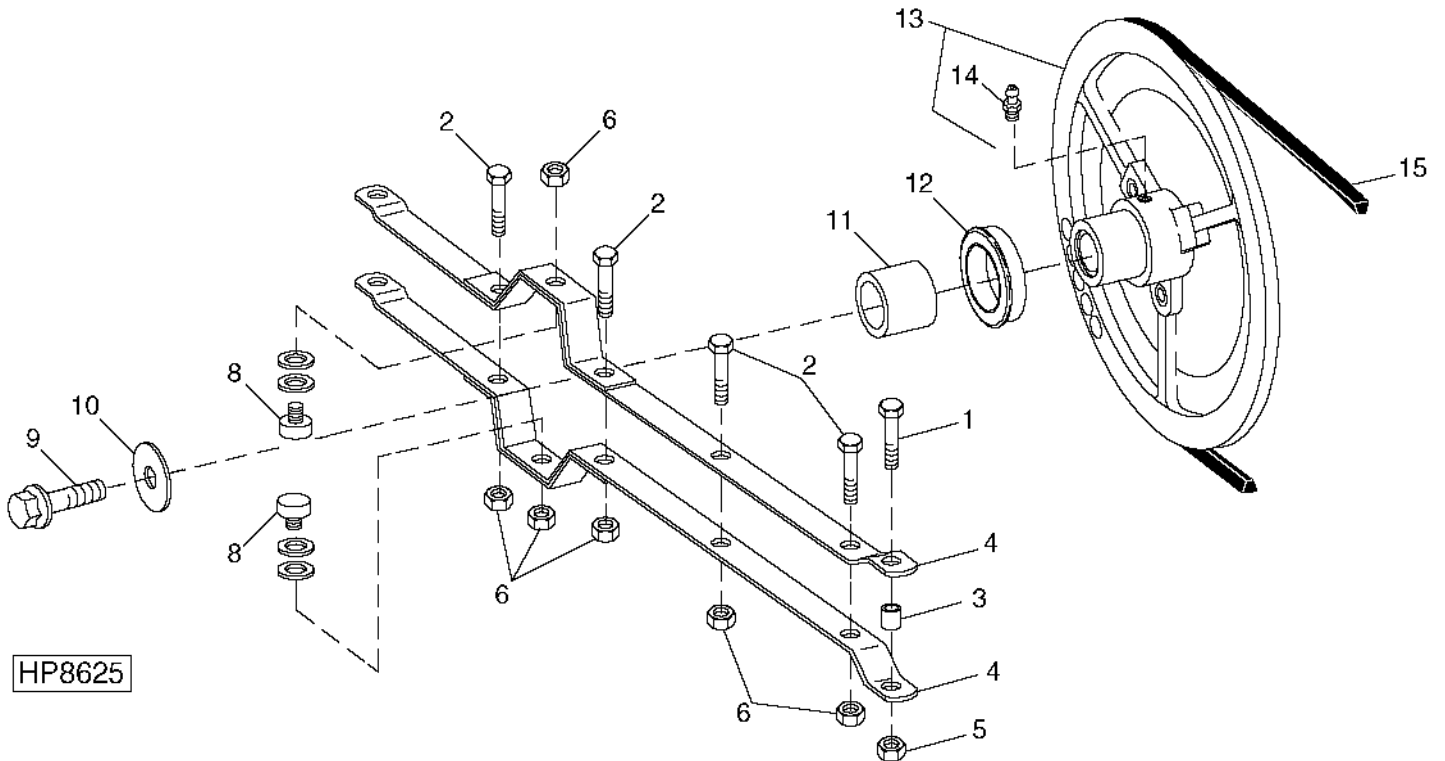
KEY	PART NO.	PART NAME	QTY	SERIAL NO.	REMARKS
				9 9	
				6 7	
				5 5	
				0 0	
1	19M7873	SCREW	4	X X	M8 X 110
2	AH146462	HALF SHEAVE	1	X X	
3	AH157219	HALF SHEAVE	1	X X	
4	H165385	SPACER	4	X X	
5	H93399	SPRING	6	X X	
6	AH157221	WASHER	1	X X	
7	14M7396	LOCK NUT	1	X X	M8
8	H138435	SET SCREW	2	X X	
9	14M7152	NUT	2	X X	M10
10	AH14080	SEAL	2	X X	
11	JD7759	LUBRICATION FITTING	1	X X	
12	R1964R	DOWEL PIN	1	X X	
13	H165072	BELT	1	X X	

3J17

DRIVES

FAN DRIVE SHEAVE AND SPEED CONTROL LINKAGE

HP8625 -UN-29JUL99



HP8625

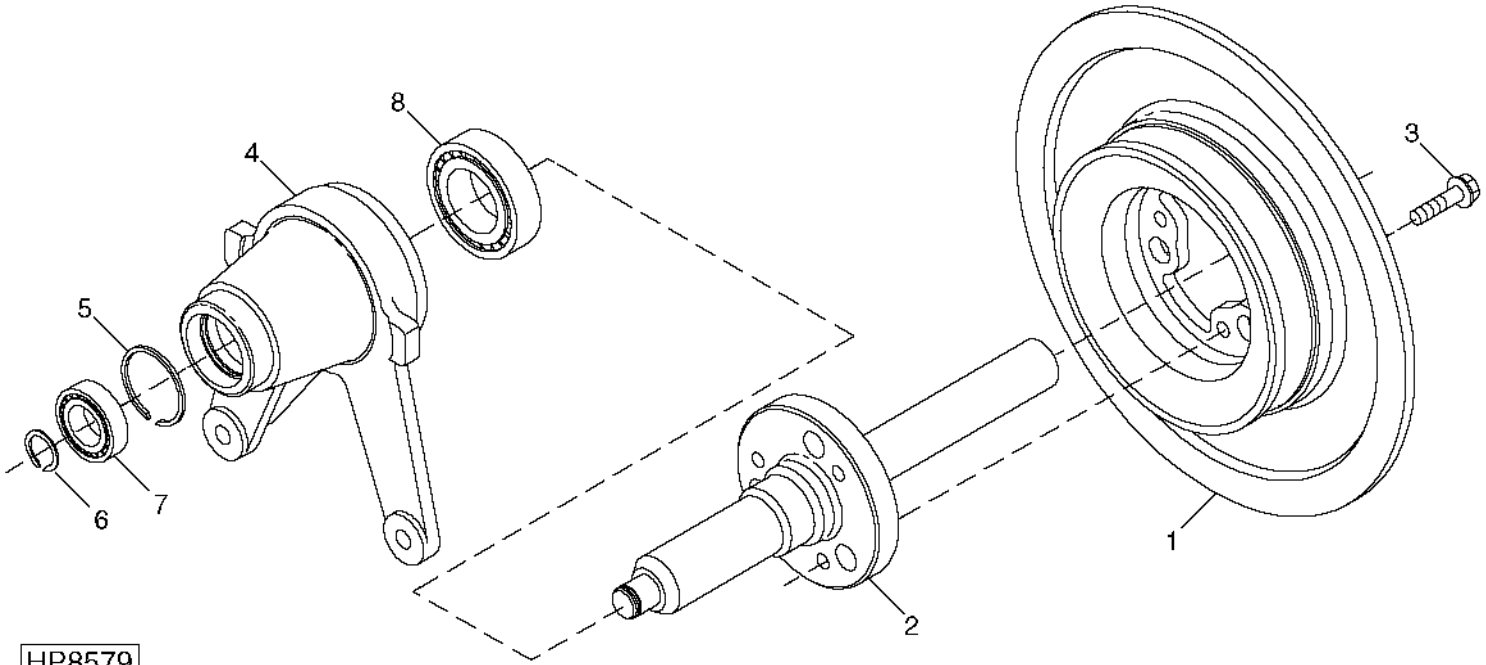
9 9
6 7
5 5
0 0

KEY	PART NO.	PART NAME	QTY	SERIAL NO.	REMARKS
1	19M7868	SCREW	1	X X	M8 X 30
2	19M7789	SCREW	4	X X	M12 X 30
3	28H1511	WASHER	1	X X	0.364" X 0.540" X 1/4"
4	AH148470	ARM	2	X X	
5	14M7298	FLANGE NUT	1	X X	M8
6	14M7299	FLANGE NUT	6	X X	M12
7	24M7180	WASHER	4	X X	13 X 37 X 3 MM
8	19M8169	SCREW	2	X X	M12 X 30
9	19M7786	SCREW	1	X X	M10 X 30
10	24H1314	WASHER	1	X X	13/32" X 1-3/4" X 7/64"
11	BUSHING	1	X X	
12	AH124050	THROW-OUT BEARING	1	X X	
13	AH163663	SHEAVE	1	X X	
14	JD7759	LUBRICATION FITTING	1	X X	
15	H166759	BELT	1	X X	

3J18

DRIVES

FAN DRIVER JACKSHAFT ASSEMBLY
HP8579 -UN-20MAY99



HP8579

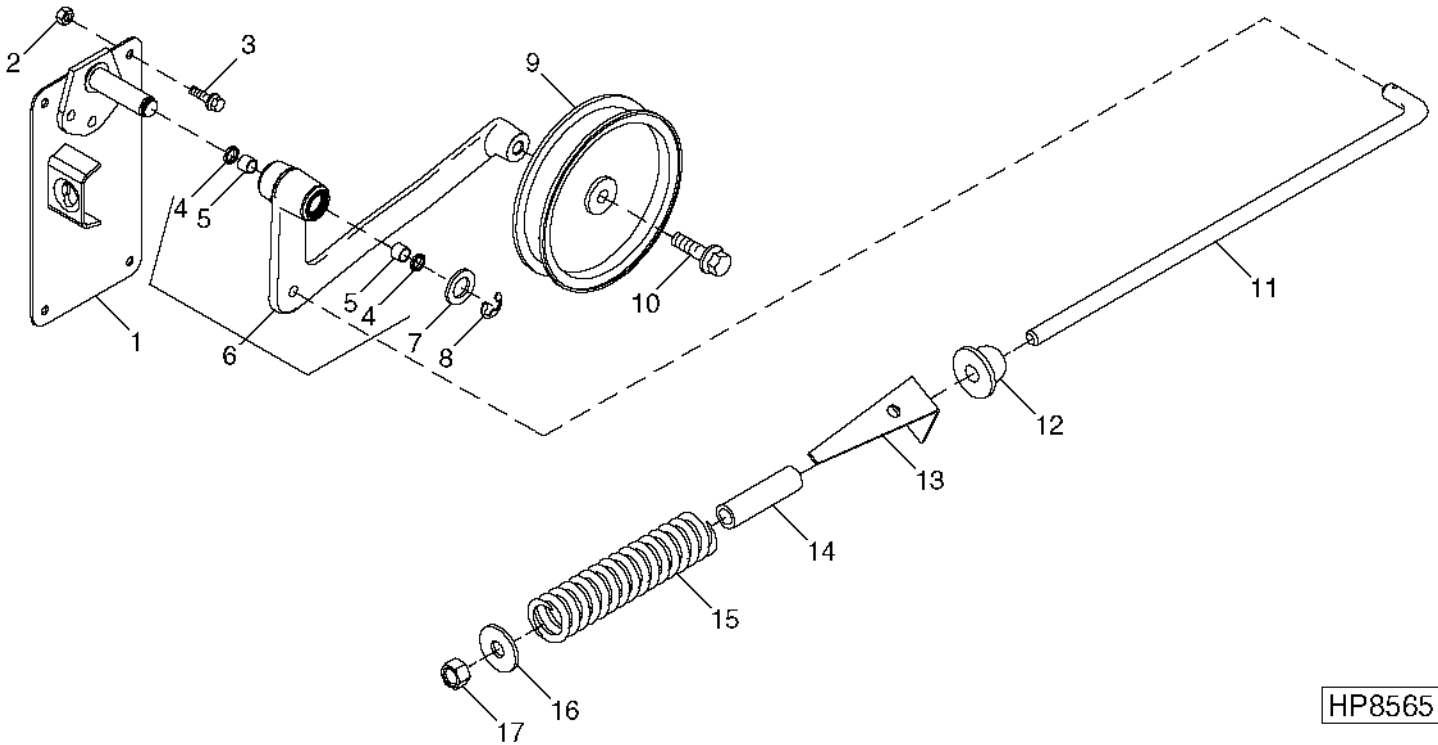
KEY	PART NO.	PART NAME	QTY	SERIAL NO.	REMARKS
				9 9	
				6 7	
				5 5	
				0 0	
1	H161051	SHEAVE	1	X X	STANDARD SPEED
	H161059	SHEAVE	1	X X	SLOW SPEED
2	H161055	SHAFT	1	X X	
3	19M7786	SCREW	3	X X	M10 X 30
4	H150795	SUPPORT	1	X X	
5	G6599E	SNAP RING	1	X X	
6	E10915	SNAP RING	1	X X	
7	JD9459	BALL BEARING	1	X X	
8	JD9268	BEARING	1	X X	

3J19

DRIVES

IDLER ASSEMBLY - TAILINGS ELEVATOR DRIVE

HP8565 -UN-13JUL99



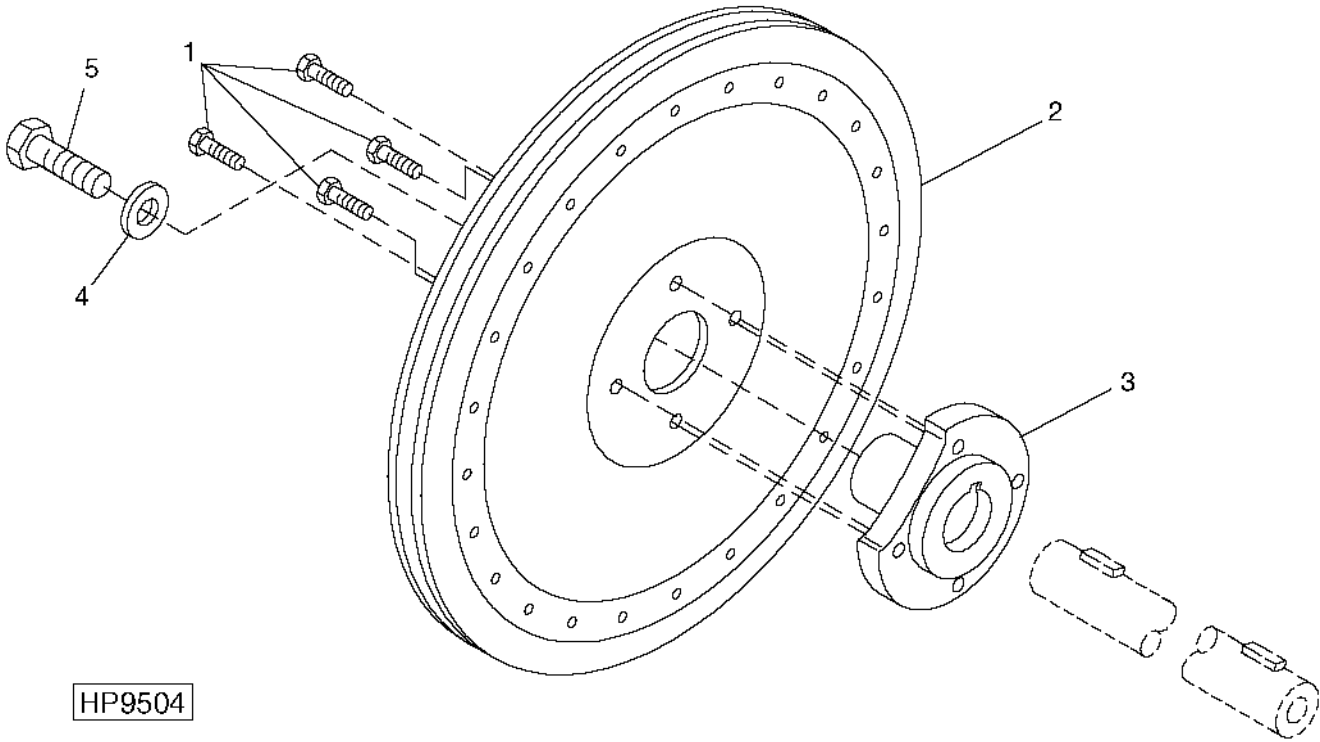
HP8565

KEY	PART NO.	PART NAME	QTY	SERIAL NO.	REMARKS
				9 9	
				6 7	
				5 5	
				0 0	
1	AH159148	BRACKET	1	X X	
2	14M7296	FLANGE NUT	2	X X	M10
3	19M7785	SCREW	2	X X	M10 X 25
4	H99147	BUSHING	2	X X	(SUB H171061)
	H171061	BEARING	2	X X	
5	AA5607R	SEAL	1	X X	
6	AH147358	ARM	1	X X	
7	24M7091	WASHER	1	X X	26 X 44 X 4 MM
8	P46402	SNAP RING	1	X X	
9	AH85276	PULLEY	1	X X	
10	19M7794	SCREW	1	X X	M16 X 50
11	H150803	HOOK BOLT	1	X X	
12	H129207	PIVOT	1	X X	
13	H140944	GAUGE	1	X X	
14	TY22326	BULK HOSE	1	X X	
15	H82418	SPRING	1	X X	
16	24M7180	WASHER	1	X X	13 X 37 X 3 MM
17	14M7275	NUT	1	X X	M12

3J20

DRIVES

CHAFFER FRAME SHOE DRIVE
HP9504 -UN-19JAN00



HP9504

9 9
6 7
5 5
0 0

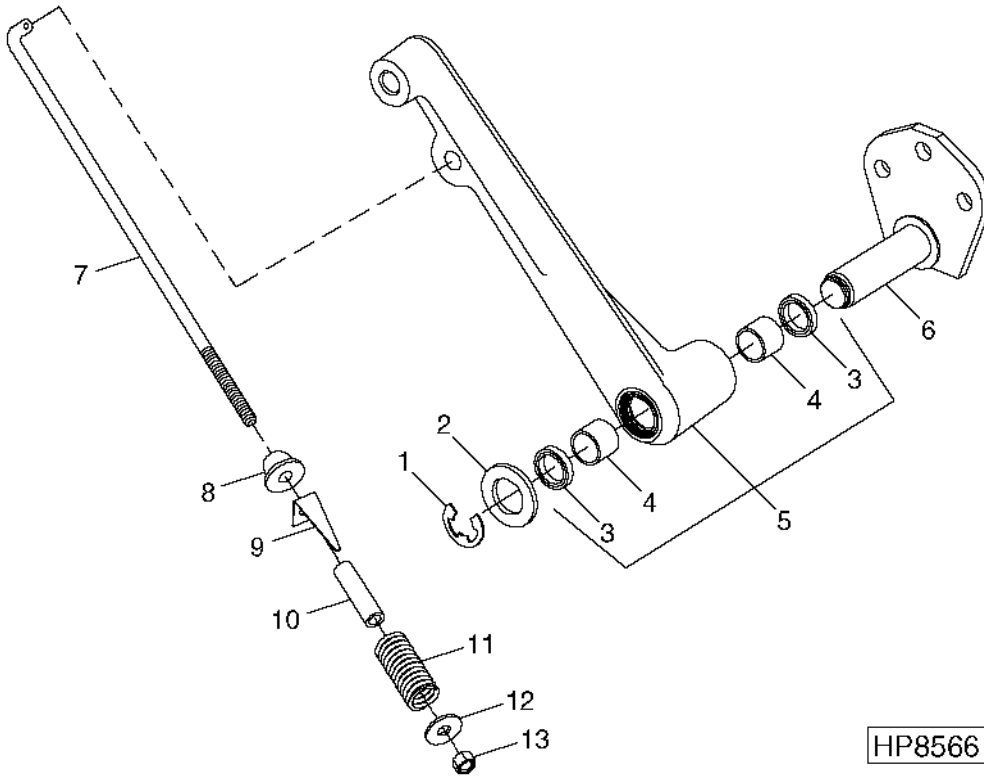
KEY	PART NO.	PART NAME	QTY	SERIAL NO.	REMARKS
1	19M7784	SCREW	4	X X	M10 X 1.5 X 20
2	AH126188	SHEAVE	1	X X	"HC" 415.9 EOD
3	H133603	HUB	1	X X	
4	T119912	WASHER	1	X X	
5	19M8035	CAP SCREW	1	X X	M16 X 35

3J21

DRIVES

IDLER ASSEMBLY - SHOE AND CONVEYOR AUGER DRIVE

HP8566 -UN-26JUL99



HP8566

9 9
6 7
5 5
0 0

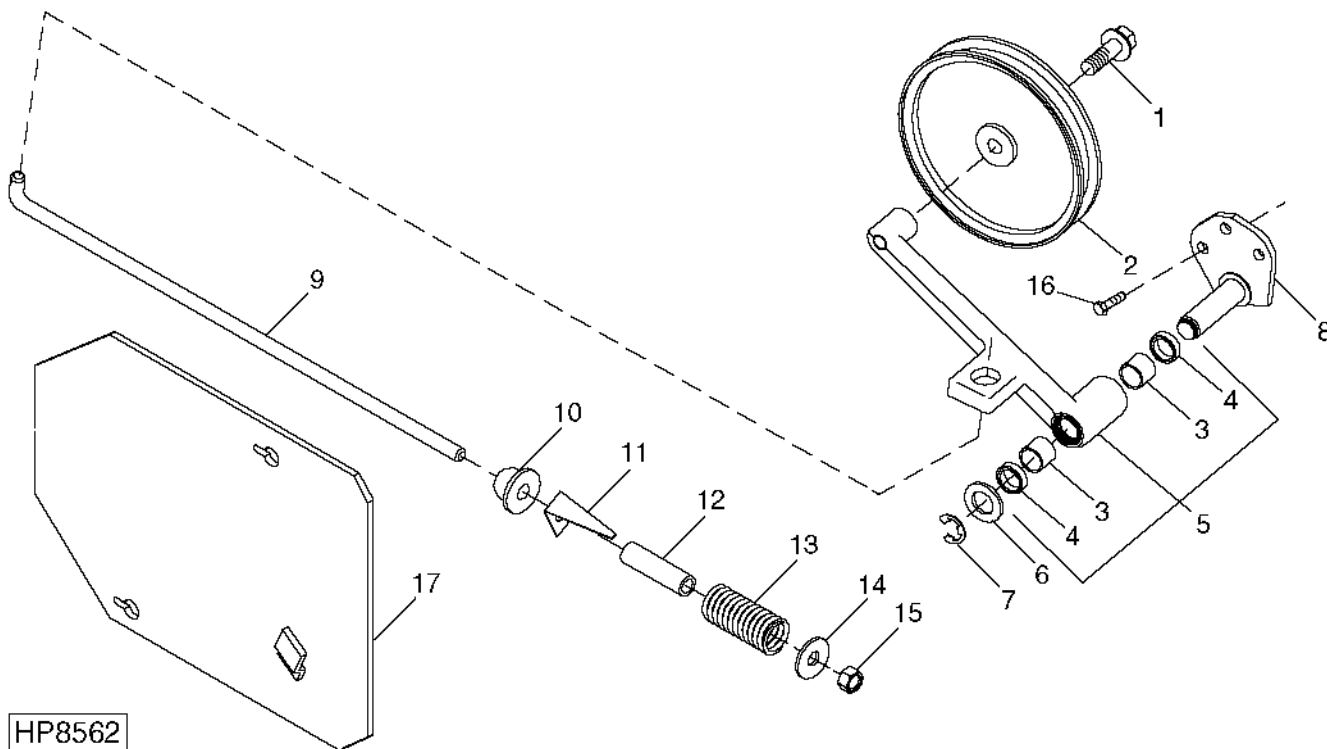
KEY	PART NO.	PART NAME	QTY	SERIAL NO.	REMARKS
1	P46402	SNAP RING	1	X X	
2	24M7091	WASHER	1	X X	26 X 44 X 4 MM
3	AA5607R	SEAL	2	X X	
4	H99147	BUSHING	2	X X	(SUB H171061)
	H171061	BEARING	2	X X	
5	AH163830	ARM	1	X X	
6	AH156051	SPRING PIN	1	X X	
7	H170103	HOOK BOLT	1	X X	
8	H170141	PIVOT	1	X X	
9	H170153	GAUGE	1	X X	
10	TY22326	BULK HOSE	1	X X	
11	H82418	SPRING	1	X X	
12	24M7180	WASHER	1	X X	13 X 37 X 3 MM
13	14M7275	NUT	1	X X	M12

3J22

DRIVES

IDLER ASSEMBLY - DISCHARGE BEATER DRIVE

HP8562 -UN-21JUL99



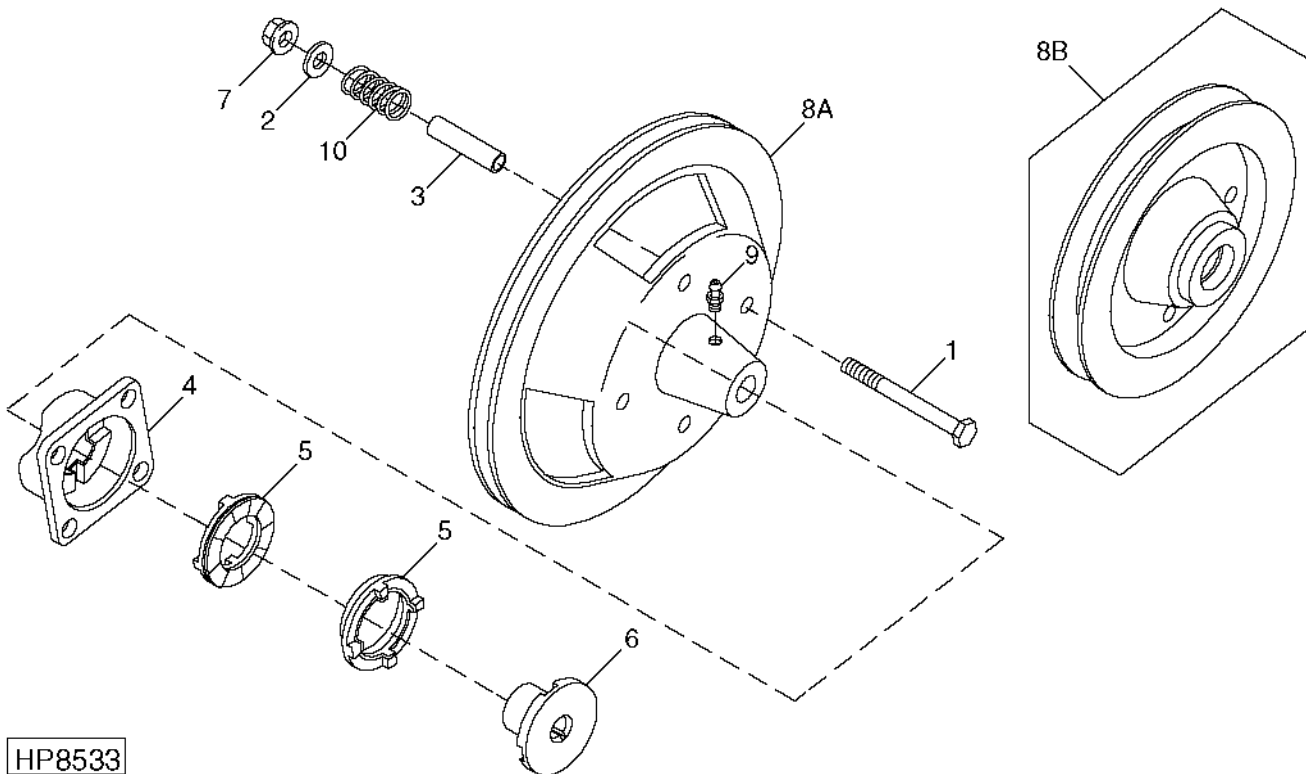
KEY	PART NO.	PART NAME	QTY	SERIAL NO.	REMARKS
				9 9	
				6 7	
				5 5	
				0 0	
1	19M7794	SCREW	1	X X	M16 X 50
2	AH97031	IDLER	1	X X	
3	AA5607R	SEAL	2	X X	
4	H99147	BUSHING	2	X X	(SUB H171061)
	H171061	BEARING	2	X X	
5	AH149718	ARM	1	X X	
6	24M7091	WASHER	1	X X	26 X 44 X 4 MM
7	P46402	SNAP RING	1	X X	
8	AH156051	SPRING PIN	1	X X	
9	H157398	HOOK BOLT	1	X X	
10	H129207	PIVOT	1	X X	
11	H127872	GAUGE	1	X X	
12	TY22326	BULK HOSE	1	X X	
13	H26552	SPRING	1	X X	
14	24M7180	WASHER	1	X X	13 X 37 X 3 MM
15	14M7275	NUT	1	X X	M12
16	19M7786	SCREW	3	X X	M10 X 30
17	AH168186	SHIELD	1	X X	(SUB FOR AH164857)

3J23

DRIVES

SLIP CLUTCH - TAILINGS ELEVATOR AND CONVEYOR AUGER DRIVES

HP8533 -UN-07JUN99



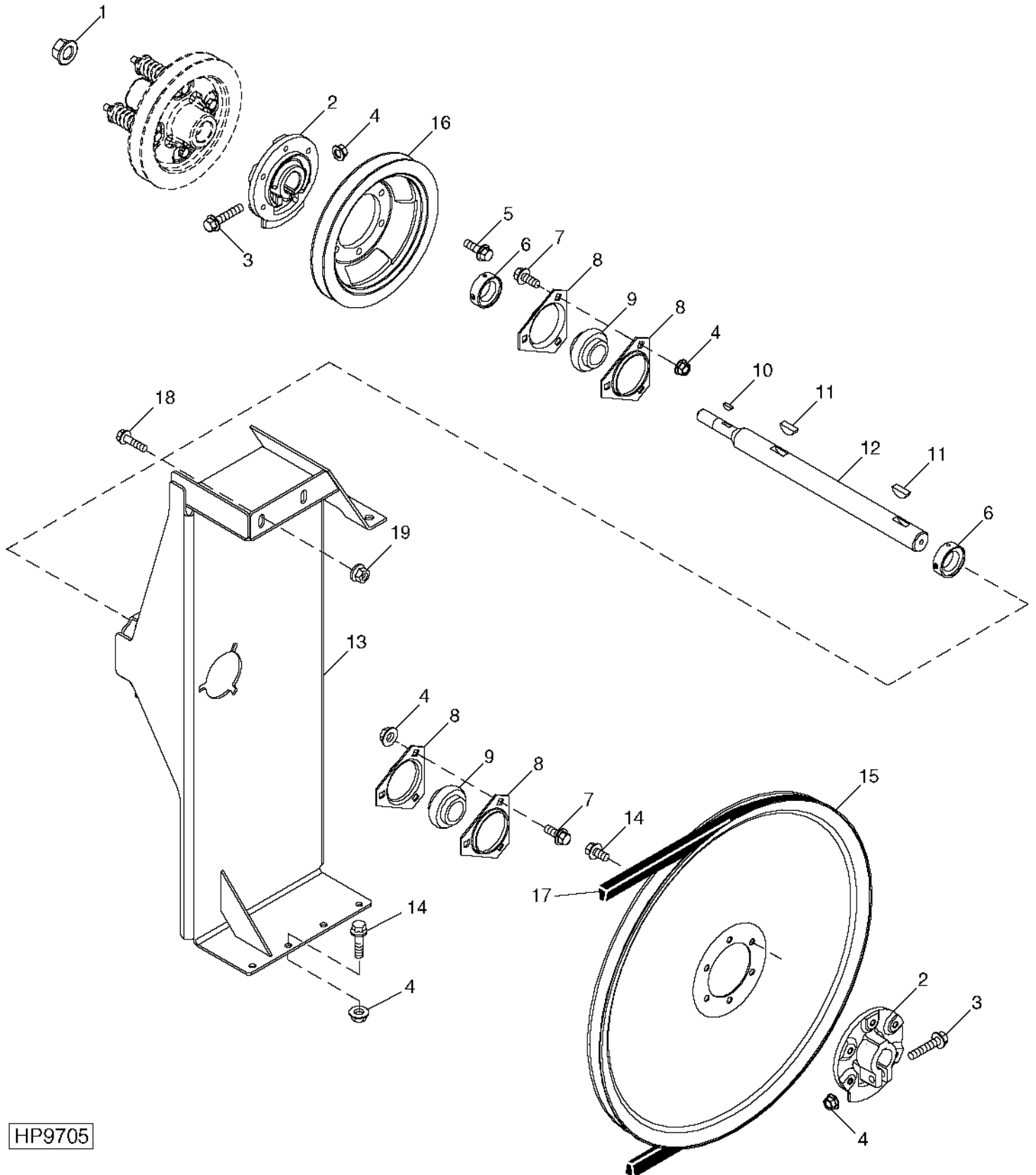
HP8533

KEY	PART NO.	PART NAME	QTY	SERIAL NO.	REMARKS
				9 9	
				6 7	
				5 5	
				0 0	
1	19M8166	CAP SCREW	4	X X	M10 X 110
2	24M7101	WASHER	4	X X	11 X 34 X 3 MM
3	H87206	SPACER	4	X X	
4	H89525	RETAINER	1	X X	
5	H128265	SLIP CLUTCH	2	X X	
6	H131098	HUB	1	X X	
7	H135891	LOCK NUT	4	X X	
8A	H150799	SHEAVE	1	X X	CONVEYOR AUGER DRIVE
8B	H150800	SHEAVE	1	X X	TAILINGS ELEVATOR DRIVE
9	JD7797	LUBRICATION FITTING	1	X X	
10	R56722	SPRING	4	X X	CONVEYOR AUGER DRIVE
	R55042	SPRING	4	X X	TAILINGS ELEVATOR DRIVE

3J24

DRIVES

ELEVATOR DRIVE JACKSHAFT ASSEMBLY HP9705 -UN-27APR00



HP9705

3J25

DRIVES

ELEVATOR DRIVE JACKSHAFT ASSEMBLY - CONTINUED

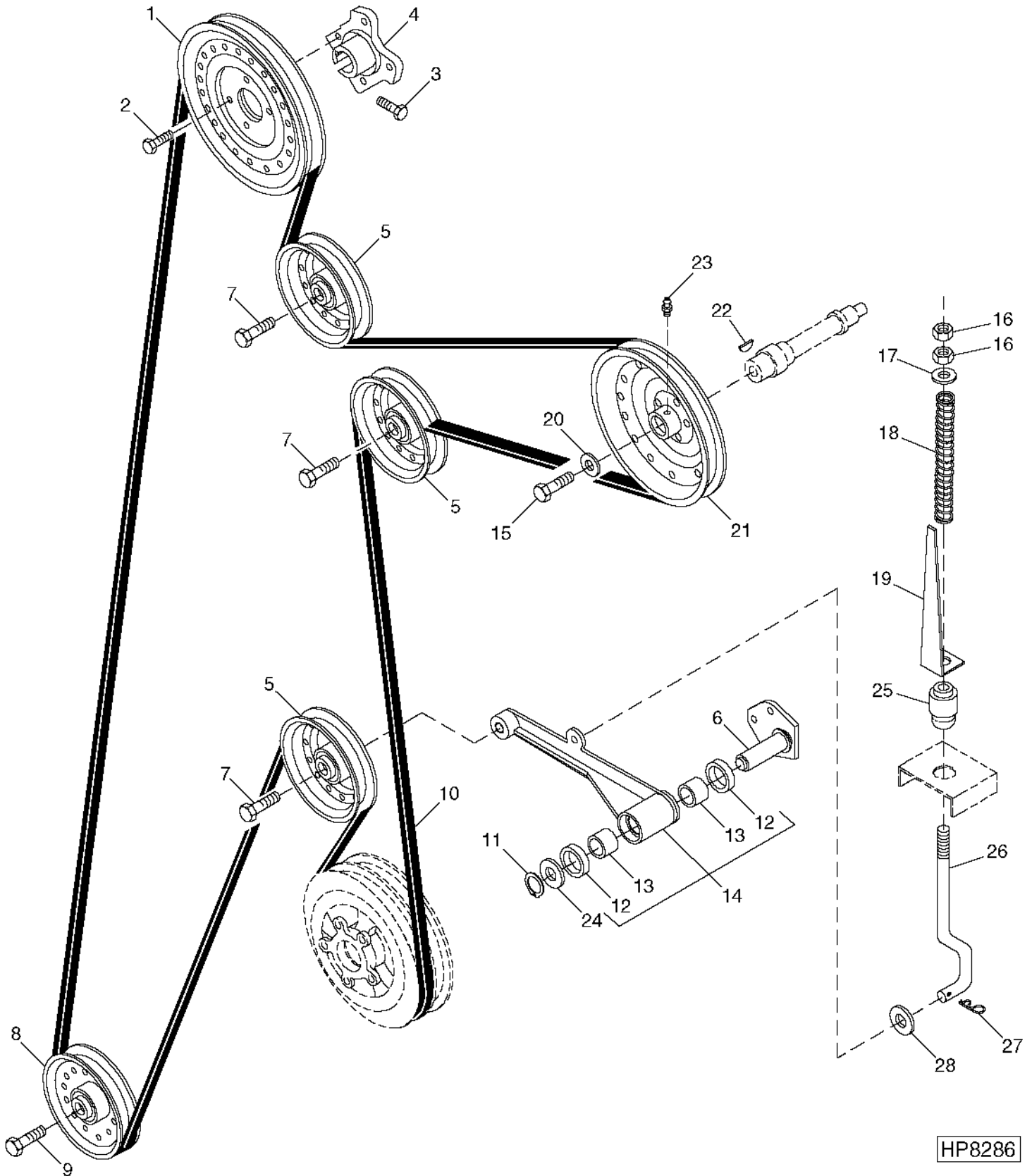
KEY	PART NO.	PART NAME	QTY	SERIAL NO.	REMARKS
				9 9	
				6 7	
				5 5	
				0 0	
1	14M7300	FLANGE NUT	1	X X	M20
2	H150781	HUB	2	X X	
3	19M8292	SCREW	2	X X	M10 X 50
4	14M7296	FLANGE NUT	12	X X	M10
5	19M7786	SCREW	5	X X	M10 X 30
6	AH133191	ECCENTRIC LOCKING COLLAR	2	X X	
7	19M7785	SCREW	6	X X	M10 X 25
8	H103265	PRESSED FLANGED HOUSING	4	X X	
9	JD39104	BALL BEARING	2	X X	
10	T105062	SHAFT KEY	1	X X	
11	26M6787	SHAFT KEY	2	X X	10 X 32 MM
12	H150783	JACKSHAFT	1	X X	
13	AH160284	SUPPORT	1	X X	
14	19M7784	SCREW	10	X X	M10 X 20
15	H159815	SHEAVE	1	X X	
16	H150782	SHEAVE	1	X X	
17	H154723	BELT	1	X X	
18	19M7803	SCREW	2	X X	M8 X 70
19	14M7298	FLANGE NUT	2	X X	M8

3K1

DRIVES

CLEAN GRAIN ELEVATOR DRIVE TIGHTENER AND IDLER

HP8286 -UN-23JUL99



HP8286

CLEAN GRAIN ELEVATOR DRIVE TIGHTENER AND IDLER - CONTINUED

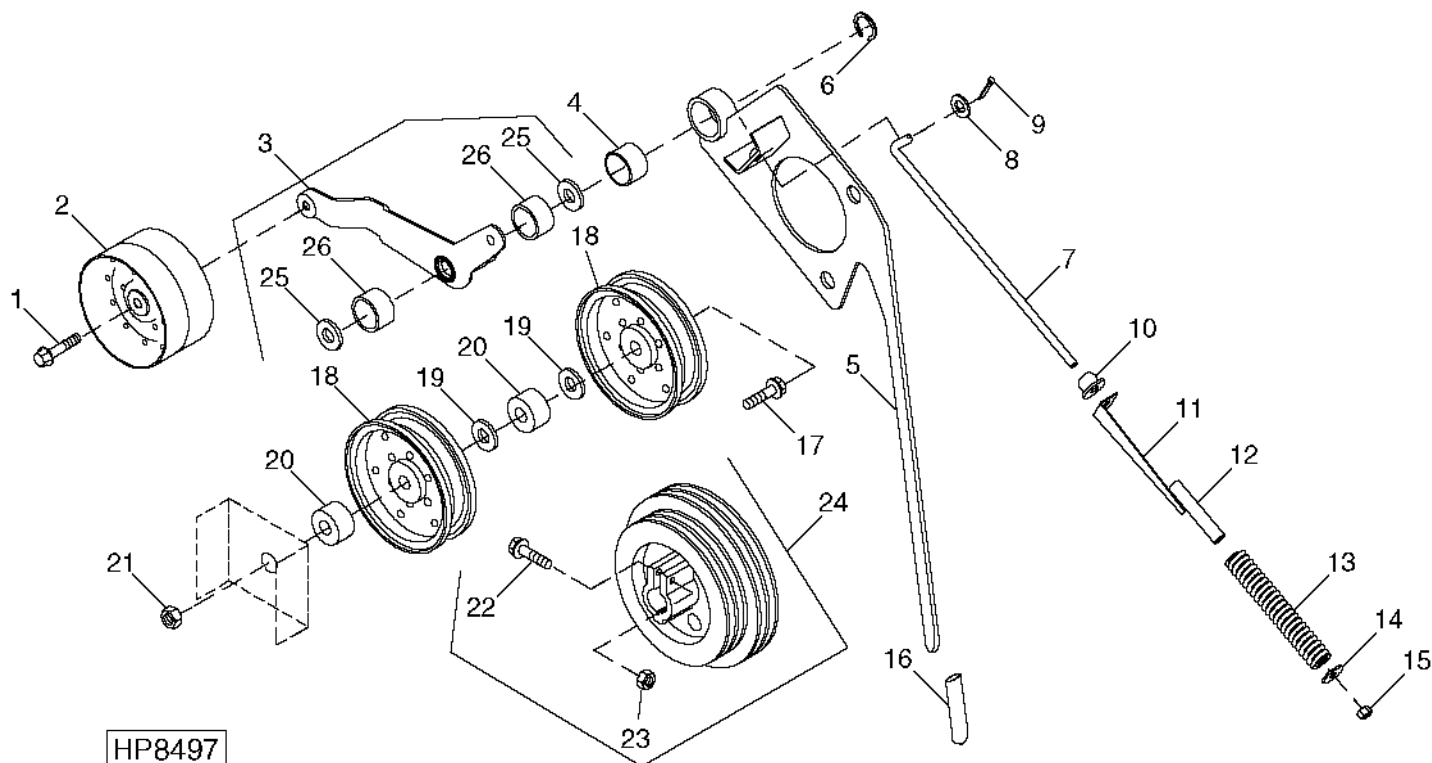
KEY	PART NO.	PART NAME	QTY	SERIAL NO.	REMARKS
				9 9	
				6 7	
				5 5	
				0 0	
1	AH135463	SHEAVE	1	X X	
2	19M7784	SCREW	4	X X	M10 X 20
3	19M7663	CAP SCREW	1	X X	M8 X 70
4	H134760	HUB	1	X X	
5	AH94450	IDLER	3	X X	
6	AH156051	SPRING PIN	1	X X	
7	19M7824	SCREW	3	X X	M16 X 60
8	AN15237	IDLER	1	X X	
9	19M7824	SCREW	1	X X	M16 X 60
10	H158512	BELT	1	X X	
11	P46402	SNAP RING	1	X X	
12	AA5607R	SEAL	2	X X	
13	H99147	BUSHING	2	X X	(SUB H171061)
	H171061	BEARING	2	X X	
14	AH146552	ARM	1	X X	
15	19M7786	SCREW	2	X X	M10 X 30
16	14M7275	NUT	2	X X	M12
17	24M7180	WASHER	1	X X	13 X 37 X 3 MM
18	H86783	SPRING	1	X X	
19	H170143	GAUGE	1	X X	
20	24H1351	WASHER	1	X X	9/16" X 1-1/2" X 0.164"
21	AH132372	SHEAVE	1	X X	GEARCASE, 11-INCH
22	26M4228	SHAFT KEY	1	X X	8 X 28 MM
23	22H836	SET SCREW	2	X X	3/8" X 1"
	14H732	NUT	2	X X	3/8"
24	24M7091	WASHER	1	X X	26 X 44 X 4 MM
25	H170141	PIVOT	1	X X	
26	H155307	BOLT	1	X X	
27	11M7021	COTTER PIN	1	X X	4 X 25 MM

3K3

DRIVES

STRAW CHOPPER DRIVE IDLER ASSEMBLY

HP8497 -UN-07JUL99



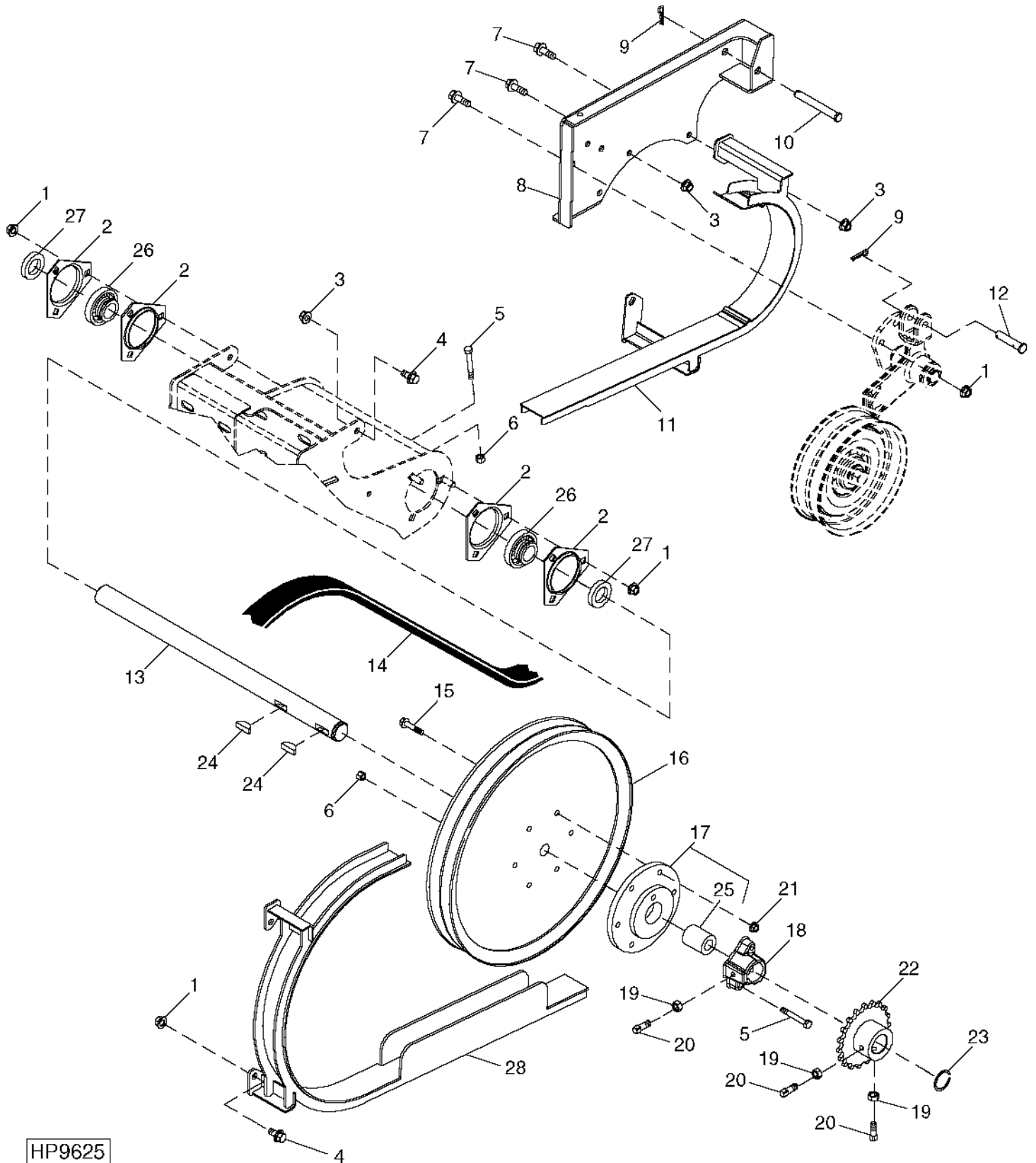
9 9
6 7
5 5
0 0

KEY	PART NO.	PART NAME	QTY	SERIAL NO.	REMARKS
1	19M7815	SCREW	1	X X	M12 X 60
2	AH141762	IDLER	1	X X	
3	AH155256	ARM	1	X X	
4	H96996	BUSHING	1	X X	
5	AH160596	ARM	1	X X	
6	U10457	SNAP RING	1	X X	
7	H125560	BOLT	1	X X	
8	24M7047	WASHER	1	X X	13 X 24 X 2.500 MM
9	11M7021	COTTER PIN	1	X X	4 X 25 MM
10	H129207	PIVOT	1	X X	
11	H173262	GAUGE	1	X X	
12	TY22326	BULK HOSE	1	X X	
13	N61654	SPRING	1	X X	
14	24M7180	WASHER	1	X X	13 X 37 X 3 MM
15	14M7275	NUT	1	X X	M12
16	W25634	GRIP	1	X X	
17	19M7846	SCREW	1	X X	M16 X 120
18	AE22622	PULLEY	2	X X	
19	24M7097	WASHER	2	X X	17 X 28 X 2.500 MM
20	H113892	SHIFT COLLAR	2	X X	
21	14M7291	FLANGE NUT	1	X X	M16
22	19M8292	SCREW	1	X X	M10 X 50
23	14M7296	FLANGE NUT	1	X X	M10
24	AH163887	SHEAVE	1	X X	
25	AA5607R	SEAL	2	X X	
26	H99147	BUSHING	2	X X	(SUB H171061)
	H171061	BEARING	2	X X	

MEMORANDA

3K4

UNLOADING AUGER COUNTERSHAFT DRIVE HP9625 -UN-24MAR00



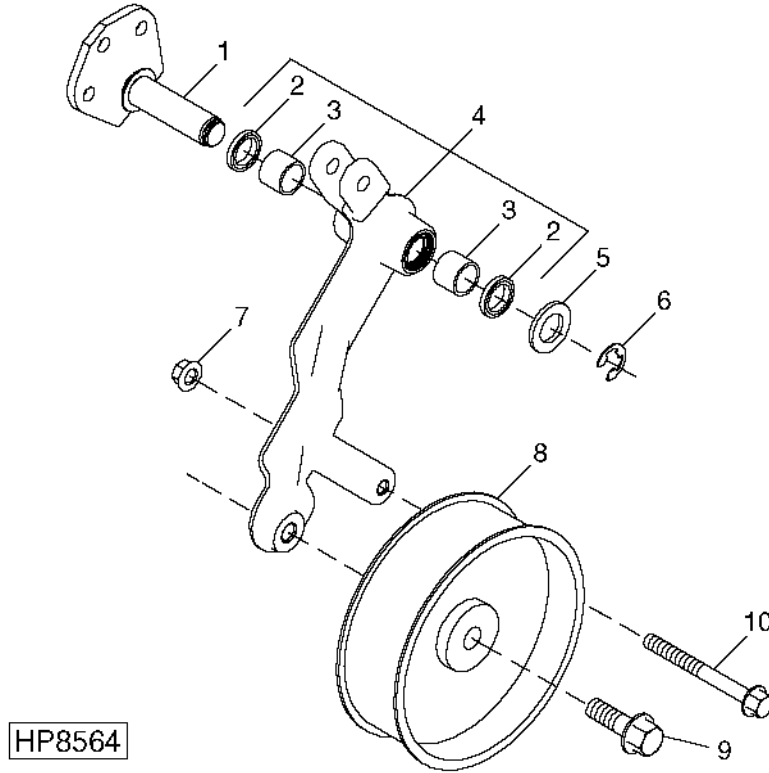
HP9625

UNLOADING AUGER COUNTERSHAFT DRIVE - CONTINUED

KEY	PART NO.	PART NAME	QTY	SERIAL NO.	REMARKS
				9 9	
				6 7	
				5 5	
				0 0	
1	14M7296	FLANGE NUT	8	X X	M10
2	H103265	PRESSED FLANGED HOUSING	4	X X	
3	H135891	LOCK NUT	4	X X	
4	19M7784	SCREW	3	X X	M10 X 20
5	19M7185	CAP SCREW	4	X X	M8 X 60
6	E64256	LOCK NUT	4	X X	
7	19M7786	SCREW	6	X X	M10 X 30
8	AH151895	SUPPORT	1	X X	
9	J16931	SPRING LOCKING PIN	2	X X	
10	R31132	PIN	1	X X	
11	AH151955	CHANNEL	1	X X	
12	45M7043	PIN	1	X X	12 X 60 MM
13	H166569	PIN	1	X X	
14	AH160080	BELT	1	X X	
15	19M8317	SCREW	6	X X	M8 X 40
16	H161415	SHEAVE	1	X X	
17	AH155812	HUB	1	X X	
18	H150846	HUB	1	X X	
19	14M7274	NUT	3	X X	M10
20	H138435	SET SCREW	3	X X	
21	14M7298	FLANGE NUT	6	X X	M8
22	AH128075	CHAIN SPROCKET	1	X X	19 TEETH
	AH128074	CHAIN SPROCKET	1	X X	17 TEETH (SLOW SPEED)
23	40M7046	SNAP RING	1	X X	
24	26M6787	SHAFT KEY	2	X X	10 X 32 MM
25	H164213	BUSHING	1	X X	
26	JD39104	BALL BEARING	2	X X	
27	AH133191	ECCENTRIC LOCKING COLLAR	2	X X	
28	AH151956	CHANNEL	1	X X	

3K6

IDLER ASSEMBLY - UNLOADER DRIVE
HP8564 -UN-14MAY99

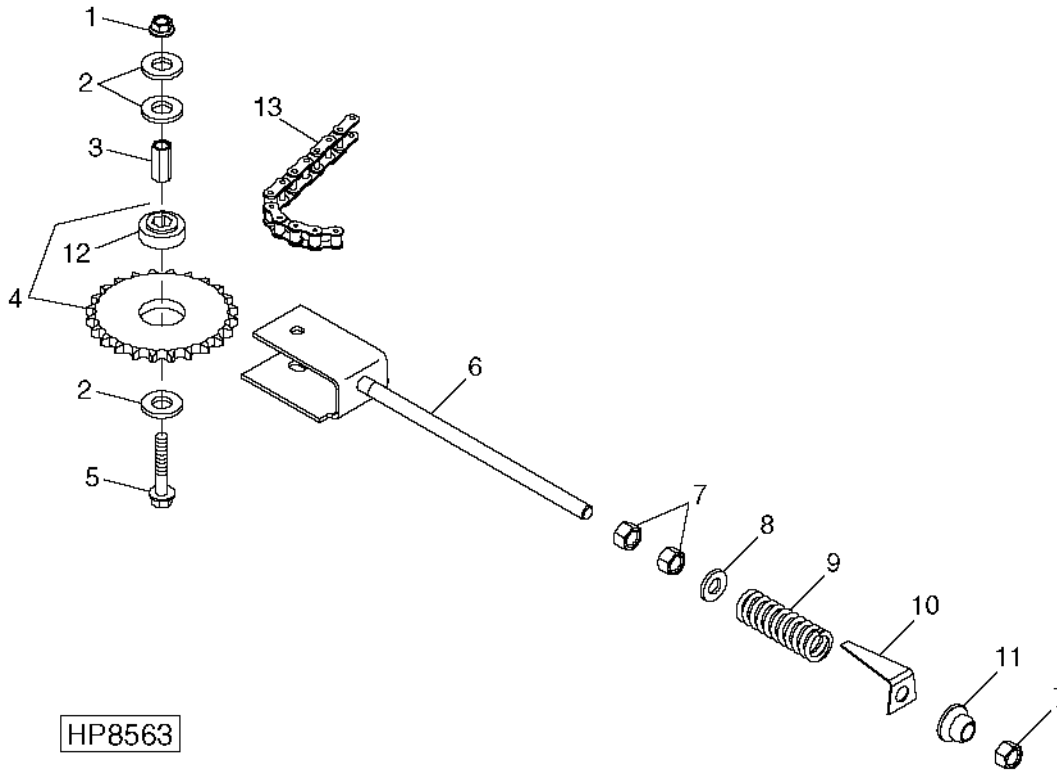


9 9
6 7
5 5
0 0

KEY	PART NO.	PART NAME	QTY	SERIAL NO.	REMARKS
1	AH156051	SPRING PIN	1	X X	
2	H99147	BUSHING	2	X X	(SUB H171061)
	H171061	BEARING	2	X X	
3	AA5607R	SEAL	2	X X	
4	AH151930	ARM	1	X X	
5	24M7091	WASHER	1	X X	26 X 44 X 4 MM
6	P46402	SNAP RING	1	X X	
7	14M7299	FLANGE NUT	1	X X	M12
8	AN104281	IDLER	1	X X	
9	19M7794	SCREW	1	X X	M16 X 50
10	19M7821	SCREW	1	X X	M12 X 120

SPROCKET IDLER ASSEMBLY - UNLOADING AUGER DRIVE

HP8563 -UN-27JUL99



9 9
6 7
5 5
0 0

KEY	PART NO.	PART NAME	QTY	SERIAL NO.	REMARKS
1	14M7299	FLANGE NUT	1	X X	M12
2	24M7242	WASHER	3	X X	21.400 X 42 X 5 MM
3	H114395	SPACER	1	X X	
4	AH106606	CHAIN SPROCKET	1	X X	
5	19M7817	SCREW	1	X X	M12 X 70
6	AH148279	YOKE	1	X X	
7	14M7276	NUT	3	X X	M16
8	24M7241	WASHER	1	X X	17 X 34 X 4 MM
9	R56709	SPRING	1	X X	
10	H155062	GAUGE	1	X X	
11	H129208	PIVOT	1	X X	
12	JD7126	BALL BEARING	1	X X	
13	AH144891	CHAIN LINK	1	X X	
	AH161460	CHAIN LINK	1	X X	SLOW SPEED

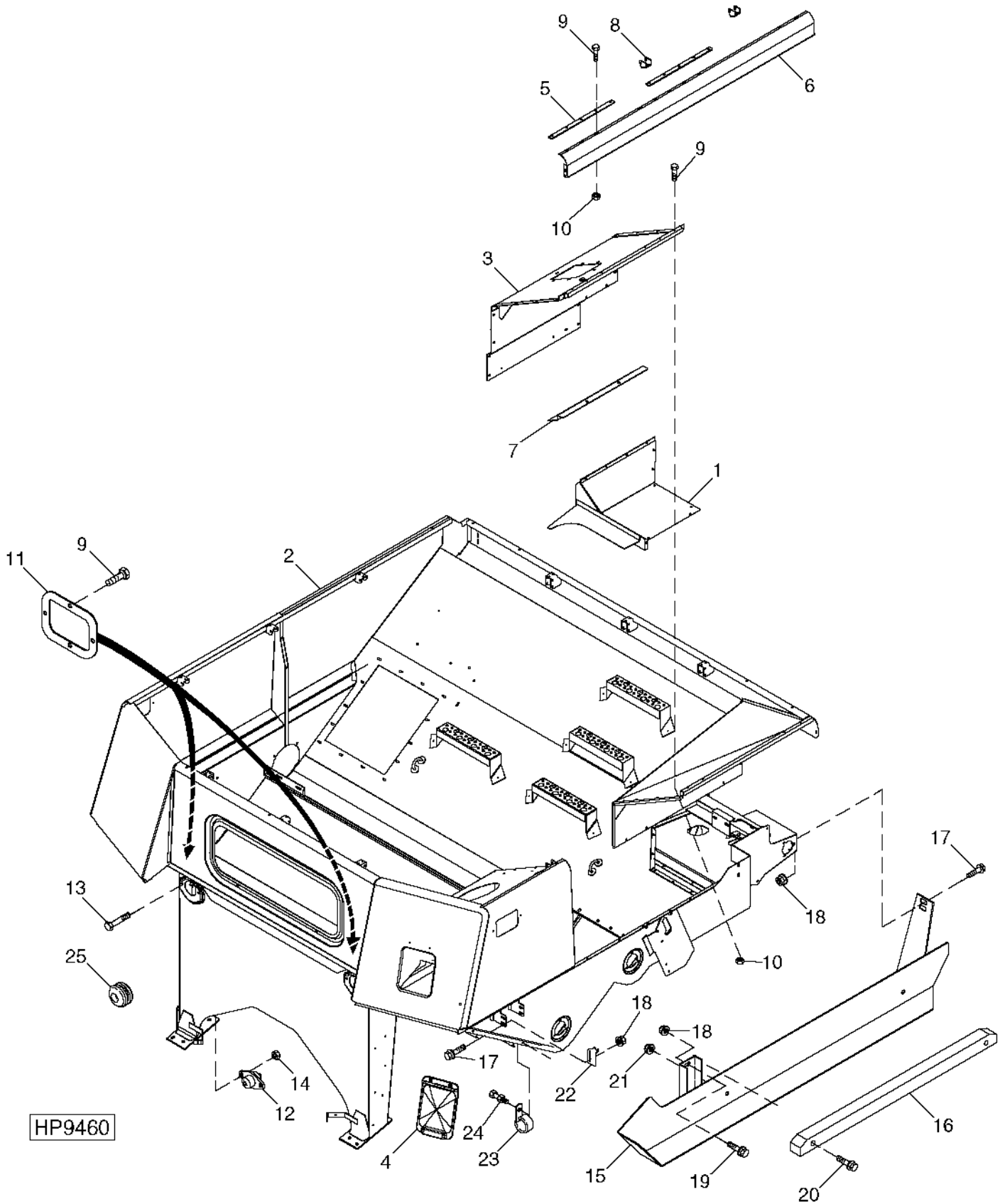
MEMORANDA

MEMORANDA

4B8

GRAIN TANK AND UNLOADING AUGER

GRAIN TANK
HP9460 -UN-05JAN00



4B9

GRAIN TANK AND UNLOADING AUGER

GRAIN TANK - CONTINUED

KEY	PART NO.	PART NAME	QTY	SERIAL NO.	REMARKS
				9 9	
				6 7	
				5 5	
				0 0	
1	AH146622	COVER	1	X X	
2	AH157075	TANK	1	X X	
3	AH157553	COVER	1	X X	
4	AH154704	DOOR	1	X X	
5	H159138	STRIP	2	X X	
6	H159173	PANEL	1	X X	
7	H164200	COVER	1	X X	
8	H164588	BRACKET	2	X X	
9	19M7866	SCREW	AR	X X	M8 X 20
10	14M7298	FLANGE NUT	AR	X X	M8
11	H89569	DOOR	2	X X	INSPECTION
12	AH108299	RUBBER MOUNT	2	X X	
13	19M7788	SCREW	4	X X	M12 X 25
14	14M7299	FLANGE NUT	4	X X	M12
15	AH148062	SHIELD	1	X X	
16	H130530	GUIDE	1	X X	
17	19M7784	SCREW	4	X X	M10 X 20
18	14M7296	FLANGE NUT	5	X X	M10
19	19M7804	SCREW	1	X X	M10 X 40
20	19M7809	SCREW	2	X X	M10 X 70
21	H135891	LOCK NUT	2	X X	
22	H164691	BRACKET	1	X X	
23	AH117301	CLAMP	AR	X X	
24	19M7866	SCREW	9	X X	M8 X 20
	19M7868	SCREW	2	X X	M8 X 30
	14M7298	FLANGE NUT	9	X X	M8
25	T65643	GROMMET	1	X X	
..	AH168093	KIT	1	X X	STAINLESS STEEL TROUGH LINER

4B10

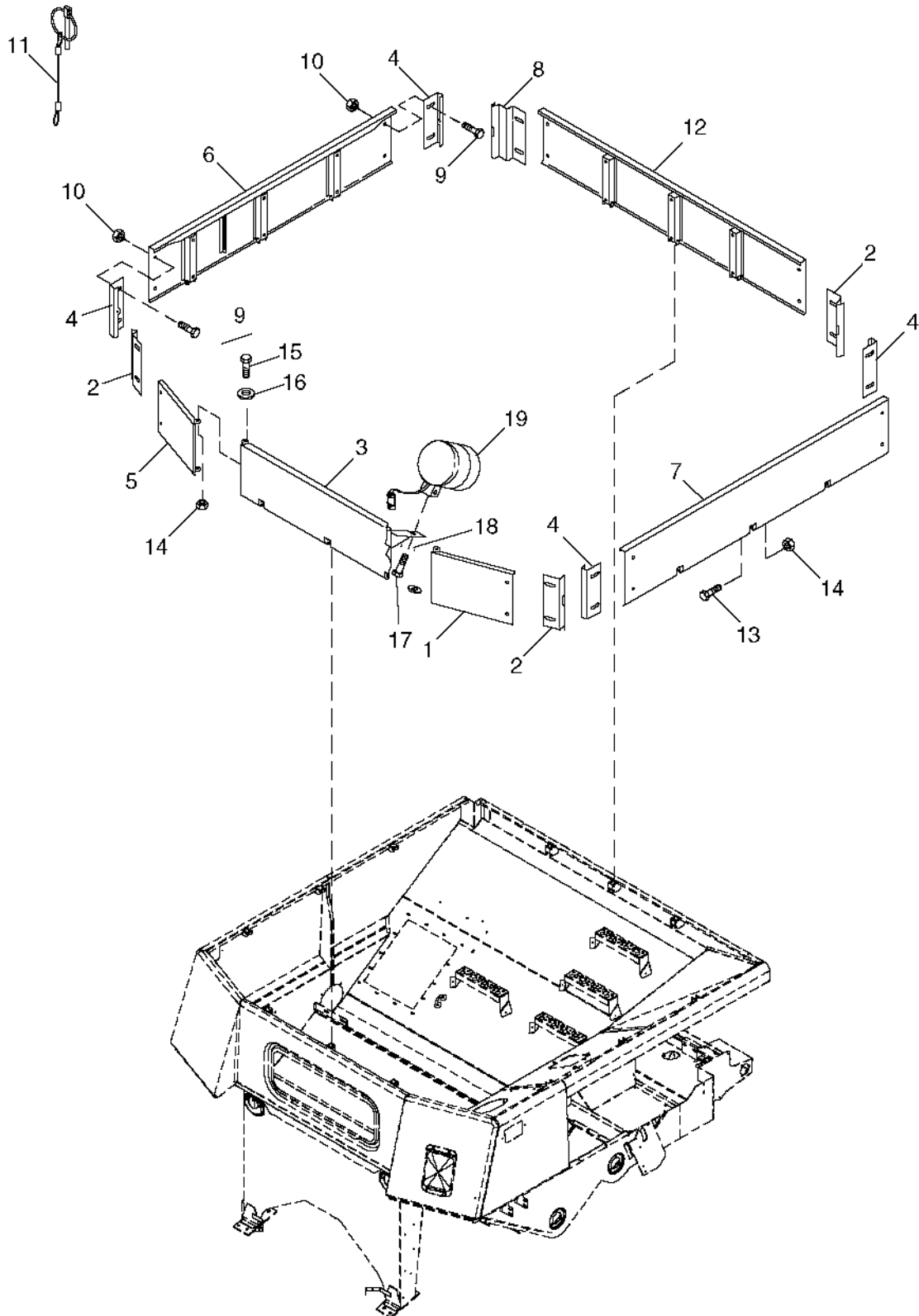
GRAIN TANK AND UNLOADING AUGER

GRAIN TANK EXTENSIONS

(9650 STS)

HP9778

-UN-01JUN00



HP9778

4B11

GRAIN TANK AND UNLOADING AUGER

GRAIN TANK EXTENSIONS - CONTINUED
(9650 STS)

KEY	PART NO.	PART NAME	QTY	SERIAL NO.	REMARKS
				9 9	
				6 7	
				5 5	
				0 0	
1	AH162352	PANEL	1	X	
2	H168896	HOLDER	3	X	
3	AH162354	PANEL	1	X	
4	H168895	HOLDER	4	X	
5	AH162353	PANEL	1	X	
6	AH162350	PANEL	1	X	
7	AH162351	PANEL	1	X	
8	H168897	HOLDER	1	X	
9	19M7867	SCREW	10	X	M8 X 25
10	14M7298	FLANGE NUT	16	X	M8
11	AH135290	QUICK LOCK PIN	3	X	
12	AH162355	PANEL	1	X	
13	19M7801	SCREW	AR	X	M8 X 60
14	14M7396	LOCK NUT	AR	X	M8
15	19M7866	SCREW	10	X	M8 X 20
16	B27370	WASHER	8	X	
17	19H2351	CAP SCREW	1	X	1/2" X 1/2"
18	24M7180	WASHER	1	X	13 X 37 X 3 MM
19	AH148210	HEADLIGHT	1	X	

4B12

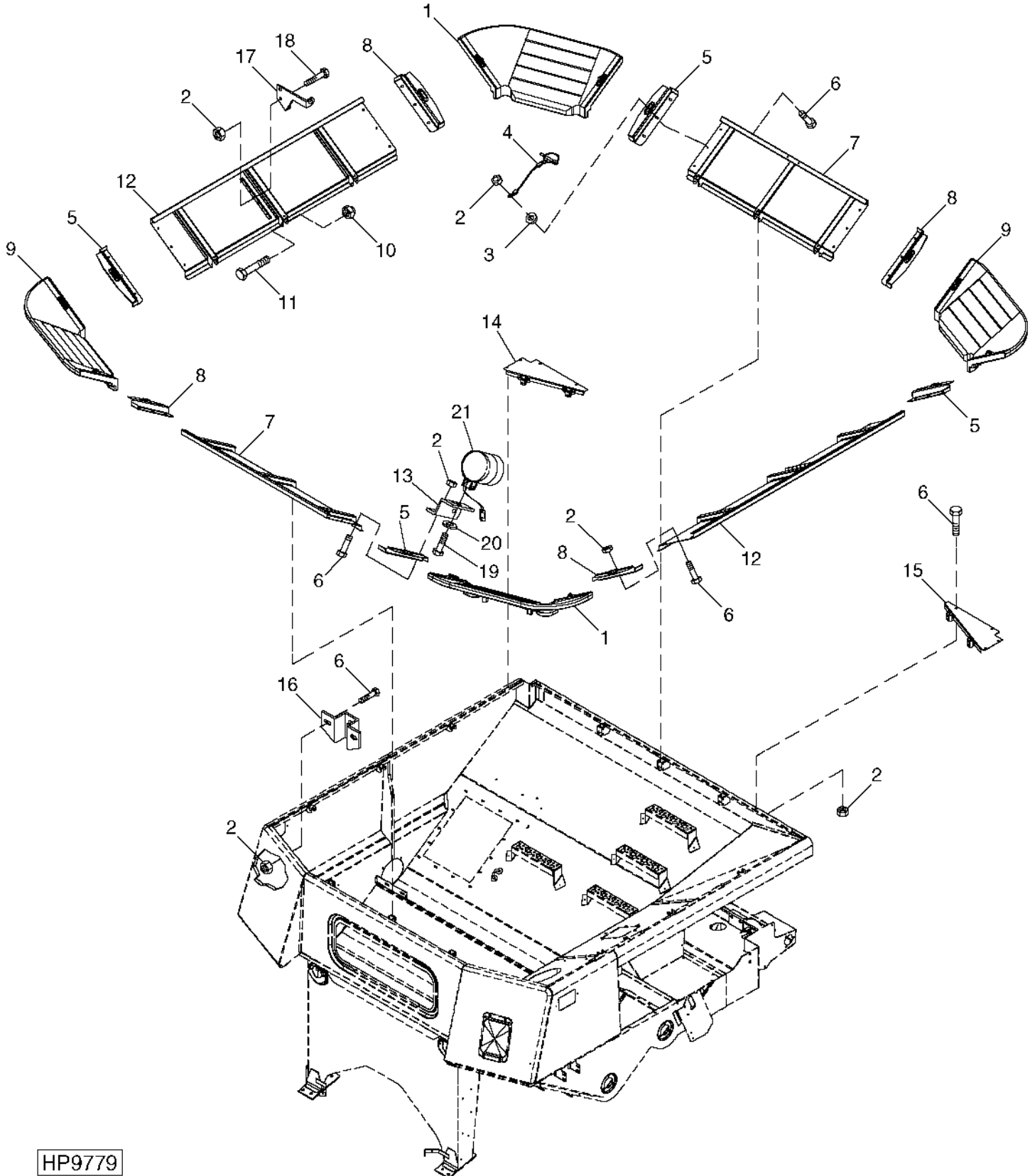
GRAIN TANK AND UNLOADING AUGER

GRAIN TANK EXTENSIONS

(9750 STS)

HP9779

-UN-01JUN00



HP9779

4B13

GRAIN TANK AND UNLOADING AUGER

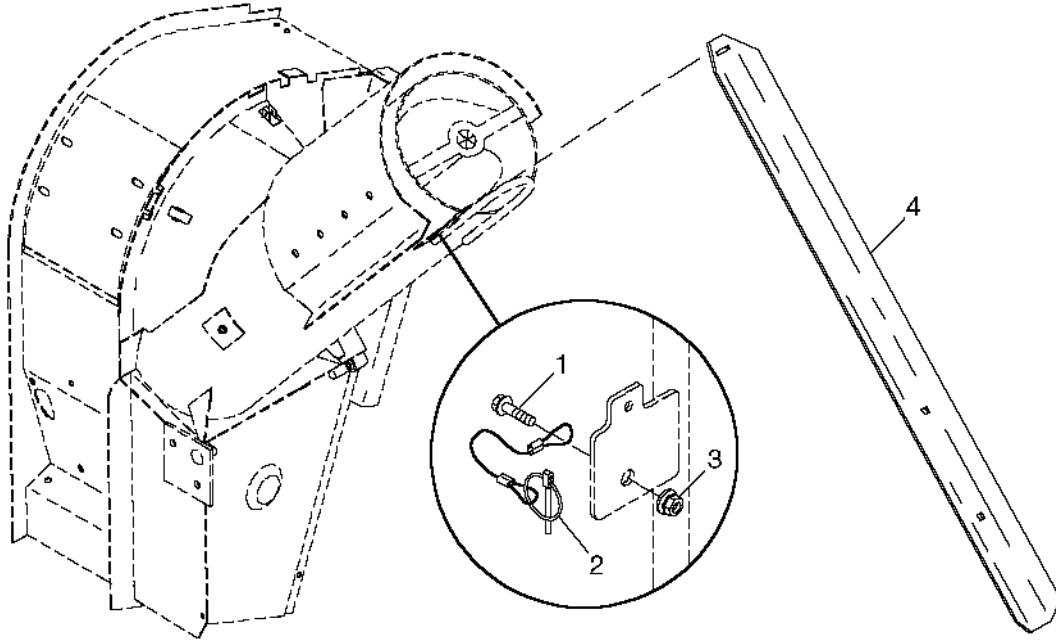
GRAIN TANK EXTENSIONS - CONTINUED (9750 STS)

KEY	PART NO.	PART NAME	QTY	SERIAL NO.	REMARKS
				9 9	
				6 7	
				5 5	
				0 0	
1	H167522	PANEL	2	X	L.H.
2	14M7298	FLANGE NUT	35	X	M8
3	24M7207	WASHER	8	X	8.400 X 24 X 2 MM
4	AH135290	QUICK LOCK PIN	8	X	
5	H167633	PLATE	4	X	
6	19M7866	SCREW	40	X	M8 X 20
7	AH158249	PANEL	2	X	
8	H167632	PLATE	4	X	
9	H167521	PANEL	2	X	R.H.
10	14M7396	LOCK NUT	12	X	M8
11	19M7801	SCREW	12	X	M8 X 60
12	AH158248	PANEL	2	X	
13	H168983	BRACKET	1	X	LIGHT
14	AH158252	ADAPTER	1	X	R.H.
15	AH158253	ADAPTER	1	X	L.H.
16	H168556	BRACKET	4	X	
17	H161088	BRACKET	1	X	SENSOR
18	19M7867	SCREW	1	X	M8 X 25
19	19H2351	CAP SCREW	1	X	1/2" X 1/2"
20	24M7180	WASHER	1	X	13 X 37 X 3 MM
21	AH148210	HEADLIGHT	1	X	

4B14

GRAIN TANK AND UNLOADING AUGER

GRAIN TANK SAMPLING TROUGH
HP9371 -UN-01DEC99



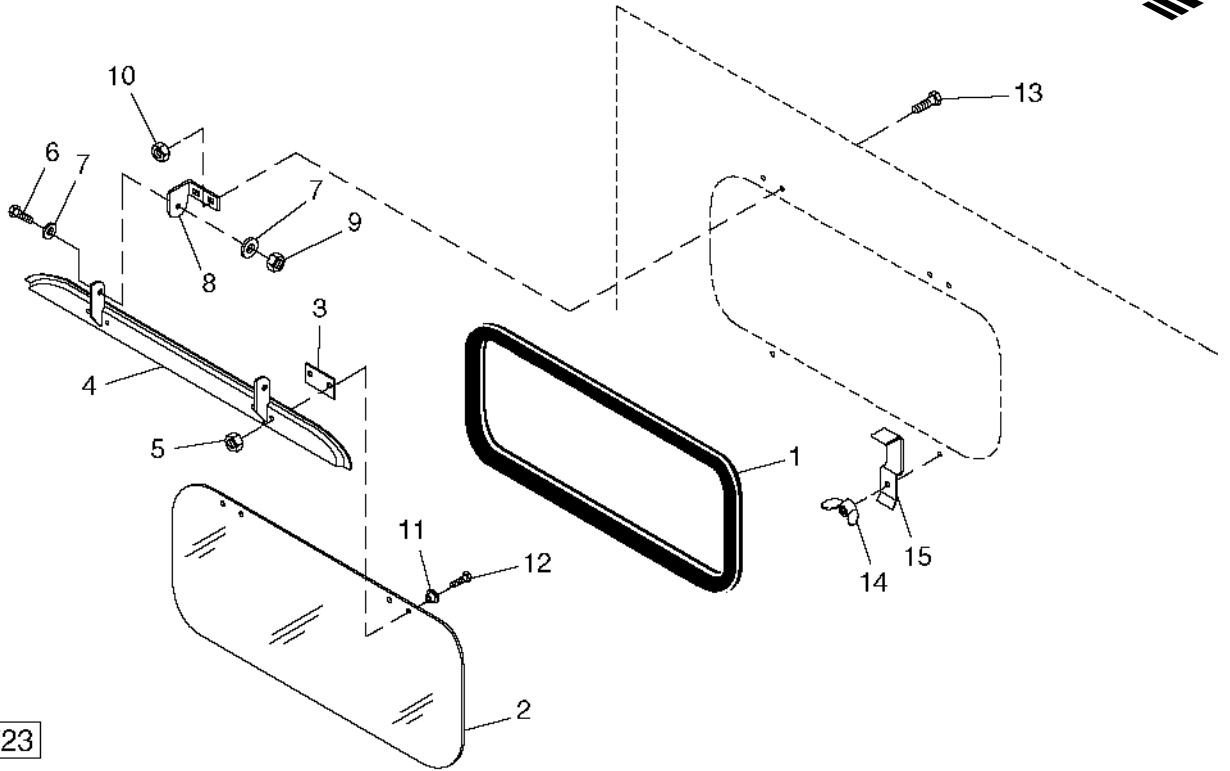
HP9371

KEY	PART NO.	PART NAME	QTY	SERIAL NO.	REMARKS
				9 9	
				6 7	
				5 5	
				0 0	
1	03M7184	BOLT	1	X X	M8 X 20
2	AH135290	QUICK LOCK PIN	1	X X	
3	14M7396	LOCK NUT	1	X X	M8
4	H152923	TROUGH	1	X X	

4B15

GRAIN TANK AND UNLOADING AUGER

GRAIN TANK WINDOW
HP8723 -UN-02JUL99



HP8723

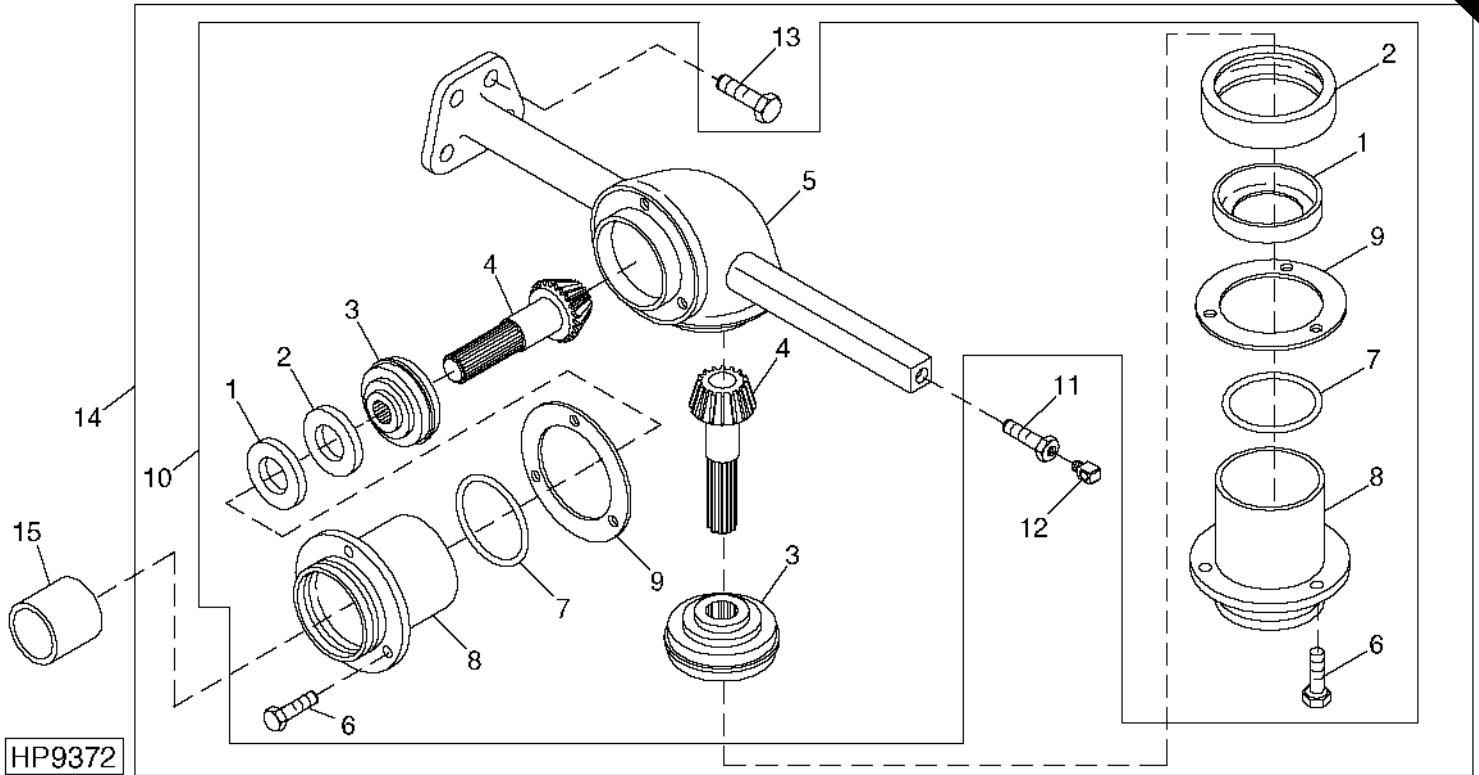
KEY	PART NO.	PART NAME	QTY	SERIAL NO.	REMARKS
				9 9	
				6 7	
				5 5	
				0 0	
1	AH80335	WEATHERSTRIP	AR	X X	
2	H131675	WINDOWPANE	1	X X	
3	H131673	GASKET	2	X X	
4	AH126619	REINFORCEMENT	1	X X	
5	14M7303	FLANGE NUT	4	X X	M6
6	19M7867	SCREW	2	X X	M8 X 25
7	B27370	WASHER	4	X X	
8	H132542	ANGLE	2	X X	
9	14M7396	LOCK NUT	2	X X	M8
10	14M7298	FLANGE NUT	4	X X	M8
11	R50642	WASHER	4	X X	
12	19M7862	SCREW	4	X X	M6 X 20
13	03M7183	BOLT	4	X X	M8 X 16
14	14M7019	WING NUT	2	X X	M6
15	H131674	LATCH	2	X X	

4B16

GRAIN TANK AND UNLOADING AUGER

HORIZONTAL UNLOADING AUGER DRIVE GEAR CASE

HP9372 -UN-01DEC99



HP9372

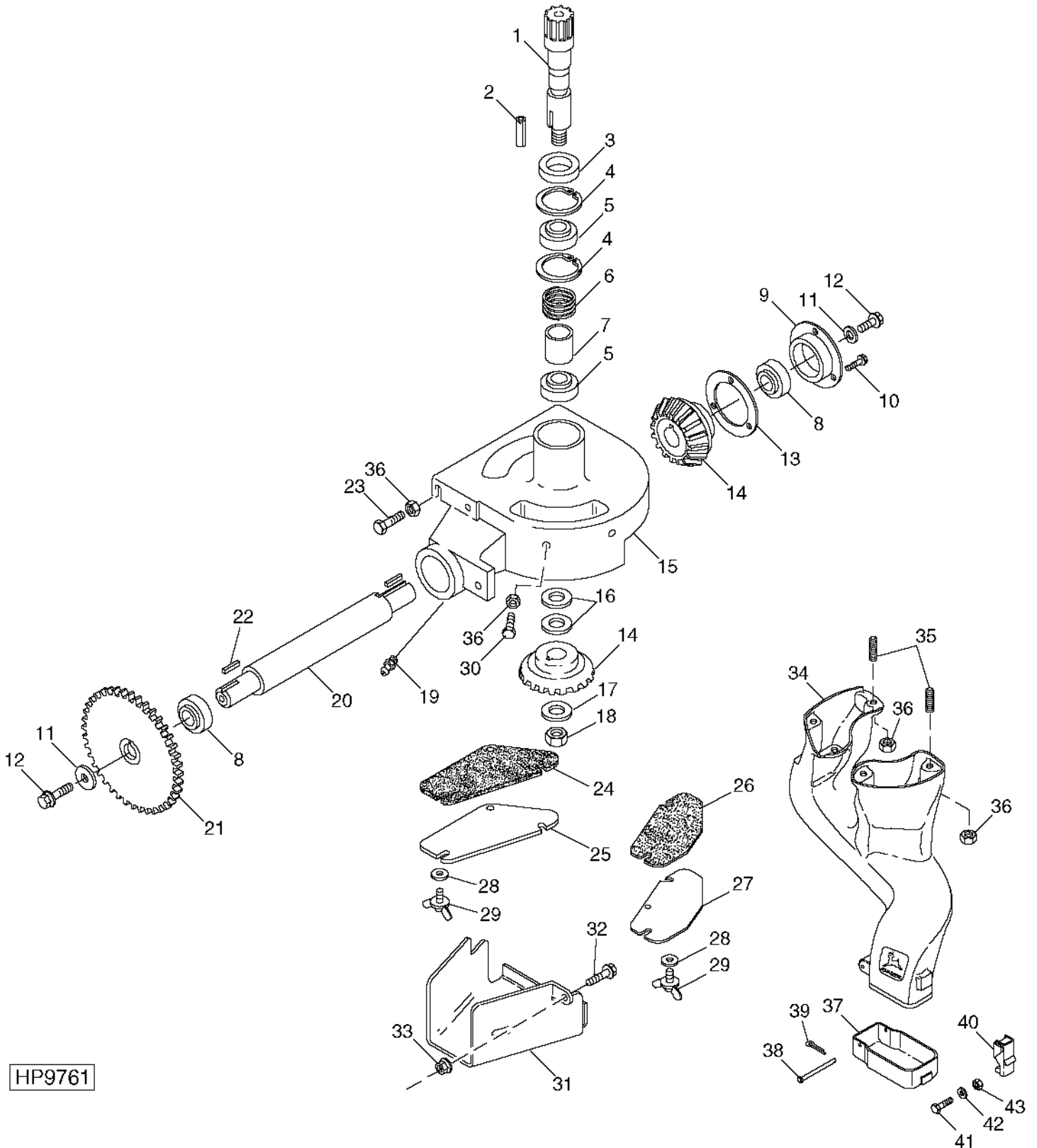
KEY	PART NO.	PART NAME	QTY	SERIAL NO.	REMARKS
1	AH98118	SEAL	2		
2	H99613	WASHER	2		
3	DE18970	BEARING	2		
4	CE18278	PINION SHAFT	2		
5	CE18401	HOUSING	1		
6	19M7881	SCREW	6		M8 X 20
7	CE16800	O-RING	2		
8	CE18074	SLEEVE	1		
9	CE18075	SHIM	2		
10	DE19067	GEAR CASE	1		
11	H110168	SCREW	1		
12	JD7839	LUBRICATION FITTING	1		
13	19M7785	SCREW	4		M10 X 25
14	AH164609	GEAR CASE	1		
15	N72989	BUSHING	1		

MEMORANDA

4B17

GRAIN TANK AND UNLOADING AUGER

VERTICAL AUGER LOWER GEAR CASE
HP9761 -UN-23MAY00



HP9761

4B18

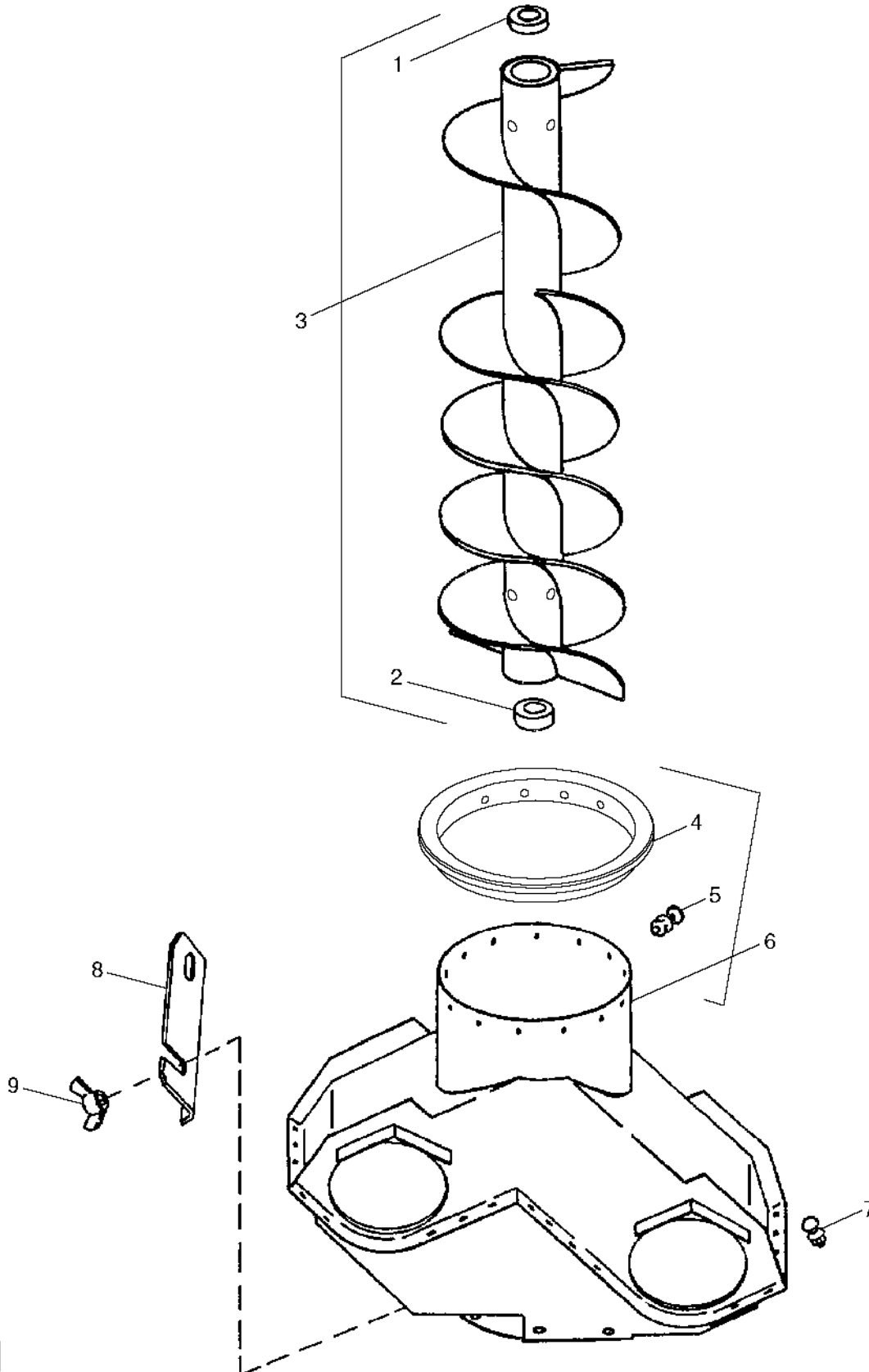
GRAIN TANK AND UNLOADING AUGER

VERTICAL AUGER LOWER GEAR CASE - CONTINUED

KEY	PART NO.	PART NAME	QTY	SERIAL NO.	REMARKS
					9 9
					6 7
					5 5
					0 0
1	H96169	SHAFT	1		LOWER
2	KEY	2		10 MM X 10 MM 32 MM (3/8" X 3/8" X 1-1/4") (CUT FROM H64376 IN AH64587 KEY STOCK KIT)
3	AH90963	SEAL	1		
4	N71921	SNAP RING	2		
5	AH96585	BEARING	2		
6	H96267	SPRING	1		
7	H96149	BUSHING	1		
8	JD8524	BEARING	2		
9	H113053	BEARING HOUSING W/O BEARING	1		
10	19M7785	SCREW	3		M10 X 25
11	H129716	WASHER	2		
12	19M7843	SCREW	2		M16 X 35
13	AH138955	KIT	1		SHIM
14	H96294	GEAR	2		23 TOOTH
15	H130137	CASE	1		
16	24H1533	SHIM	2		0.018"
17	24H1433	WASHER	1		29/32" X 2-1/4" X 1/4"
18	H113238	FLANGE NUT	1		
19	JD7759	LUBRICATION FITTING	1		STRAIGHT
20	H129653	SHAFT	1		
21	AH125080	DRIVE SPROCKET	1		REGULAR SPEED (46 TOOTH)
22	KEY	1		10 MM X 10 MM X 38 MM (3/8" X 3/8" X 1-1/2") (CUT FROM H64376 IN AH64587 KEY STOCK)
23	19M7804	SCREW	1		M10 X 40
24	H135192	SEAL	1		FRONT
25	H136572	COVER	1		FRONT
26	H135193	SEAL	1		REAR
27	H136573	COVER	1		REAR
28	24M7178	WASHER	5		10.500 X 30 X 2.500 MM
29	21M7236	WING SCREW	5		M10 X 16
30	19M7786	SCREW	9		M10 X 30
31	H171385	SHIELD	1		
32	19M7789	SCREW	1		M12 X 30
33	14M7299	FLANGE NUT	1		M12
34	AH167433	CHUTE	1		
35	22M7149	SET SCREW	5		M10 X 30
36	14M7296	FLANGE NUT	14		M10
37	H173223	CAP	1		
38	M112271	PIN	1		
39	J16931	SPRING LOCKING PIN	1		
40	AH168300	LATCH	1		
41	21M7284	SCREW	4		M3 X 16
42	24M7029	SHIM	4		
43	14M7196	NUT	4		M3

4B19

VERTICAL UNLOADING AUGER AND CHARGE HOUSING
HP8811 -UN-12JUL99



HP8811

4B20

GRAIN TANK AND UNLOADING AUGER

VERTICAL UNLOADING AUGER AND CHARGE HOUSING - CONTINUED

KEY	PART NO.	PART NAME	QTY	SERIAL NO.	9 6 5 0	9 7 5 0	REMARKS
1	H128861	SPLINED COUPLING	1		X	X	
2	AH124878	EXTERNAL HALF COUPLER	1		X	X	
3	AH146840	AUGER	1		X	X	
4	H152709	RING	1		X	X	
5	03M7198	BOLT	12		X	X	M12 X 30
	14M7299	FLANGE NUT	12		X	X	M12
6	AH157351	HOUSING	1		X	X	
7	03M7190	BOLT	30		X	X	M10 X 20
	14M7296	FLANGE NUT	30		X	X	M10
8	H130771	PLATE	1		X	X	
9	14M7020	WING NUT	2		X	X	M8

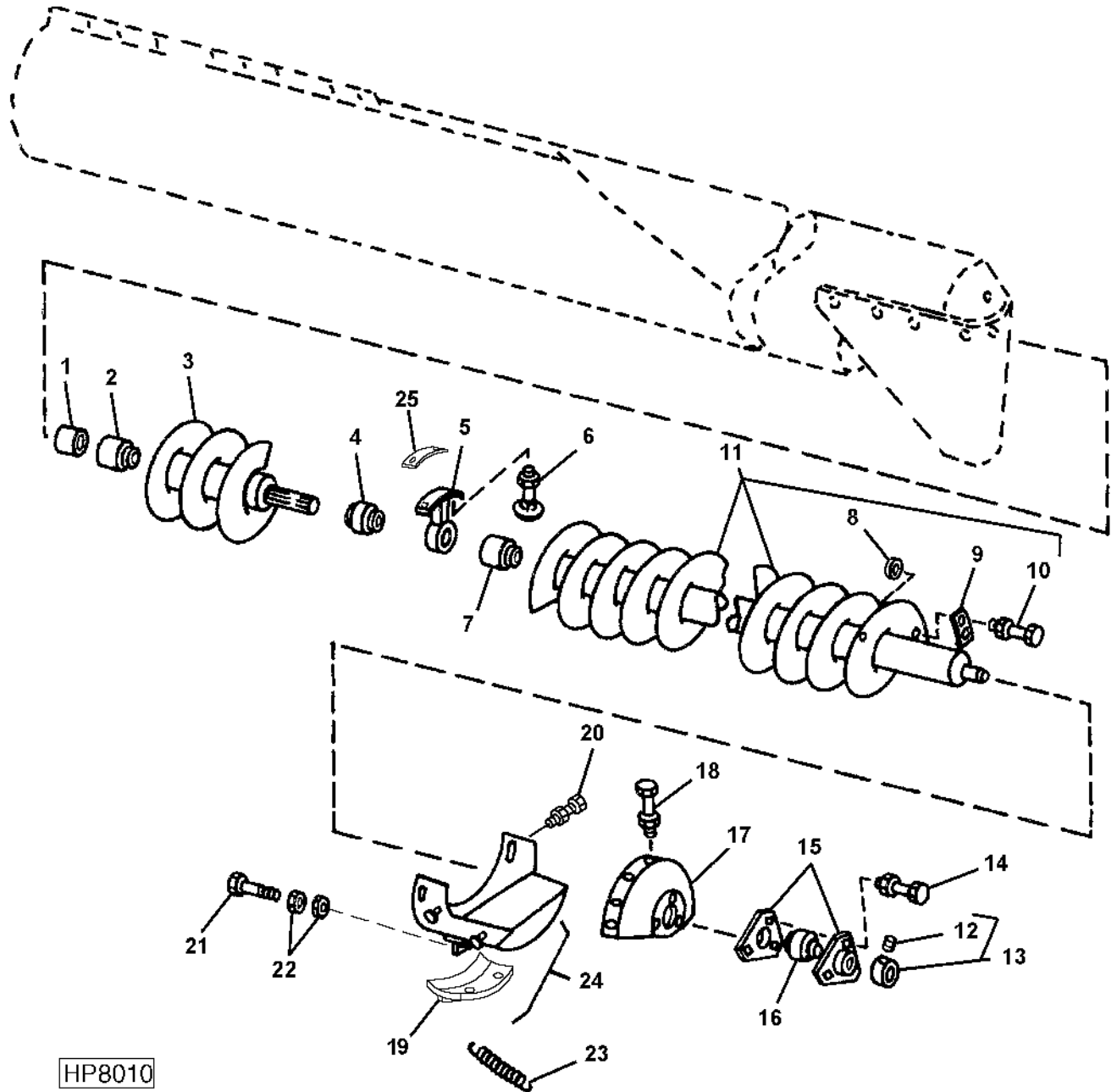
4B21

GRAIN TANK AND UNLOADING AUGER

HORIZONTAL UNLOADING AUGER

(17- AND 20-FT.)

HP8010 -UN-27JUL99



HP8010

4B22

GRAIN TANK AND UNLOADING AUGER

HORIZONTAL UNLOADING AUGER - CONTINUED (17- AND 20- FT.)

KEY	PART NO.	PART NAME	QTY	SERIAL NO.	REMARKS
				9 9	
				6 7	
				5 5	
				0 0	
1	N72989	BUSHING	1	X X	
2	AH122717	GUDGEON	1	X X	
	H116292	SPLINED COUPLING	1	X X	
3	AH112435	AUGER	1	X X	(INCLUDES H116292)
	AH151413	AUGER	1	X X	
	AH151414	AUGER	1	X X	
4	JD9373	BALL BEARING	1	X X	
5	H114873	HOUSING	1	X X	
6	03M7193	BOLT	2	X X	M10 X 35
	14M7296	FLANGE NUT	2	X X	M10
7	AH122717	GUDGEON	1	X X	
8	24H1300	WASHER	6	X X	25/64" X 2" X 0.220"
	24H1311	WASHER	6	X X	13/32" X 1-1/4" X 0.220"
9	H119566	STRIP	2	X X	100 MM (4") LONG
	H119567	STRIP	2	X X	125 MM (5") LONG
	H119568	STRIP	4	X X	150 MM (6") LONG
10	03H1495	BOLT	2	X X	3/8" X 1-1/2"
	03H1557	BOLT	2	X X	3/8" X 1-1/4"
	K40003	LOCK NUT	4	X X	
11	AH143727	AUGER	1	X X	
	AH143731	AUGER	1	X X	
	AH151403	AUGER	1	X X	
12	22H897	SET SCREW	1	X X	1/4" X 1/4"
13	JD8554	ECCENTRIC LOCKING COLLAR	1	X X	
14	03M7184	BOLT	3	X X	M8 X 20
	14M7298	FLANGE NUT	3	X X	M8
15	H103264	PRESSED FLANGED HOUSING	2	X X	
16	JD8665	BALL BEARING	1	X X	
17	H96645	CAP	1	X X	
18	19M7866	SCREW	5	X X	M8 X 20
	14M7298	FLANGE NUT	5	X X	M8
19	Z24604	HINGE	1	X X	(USE WITH AH132230)
20	03M7183	BOLT	2	X X	M8 X 16
	14M7298	FLANGE NUT	2	X X	M8
21	19M7868	SCREW	1	X X	M8 X 30
22	14M7298	FLANGE NUT	2	X X	M8
23	J18468	SPRING	2	X X	
24	AH132230	DOOR	1	X X	(INCLUDES Z24604)
25	H158817	PLATE	1	X X	(EXPORT ONLY)

4B23

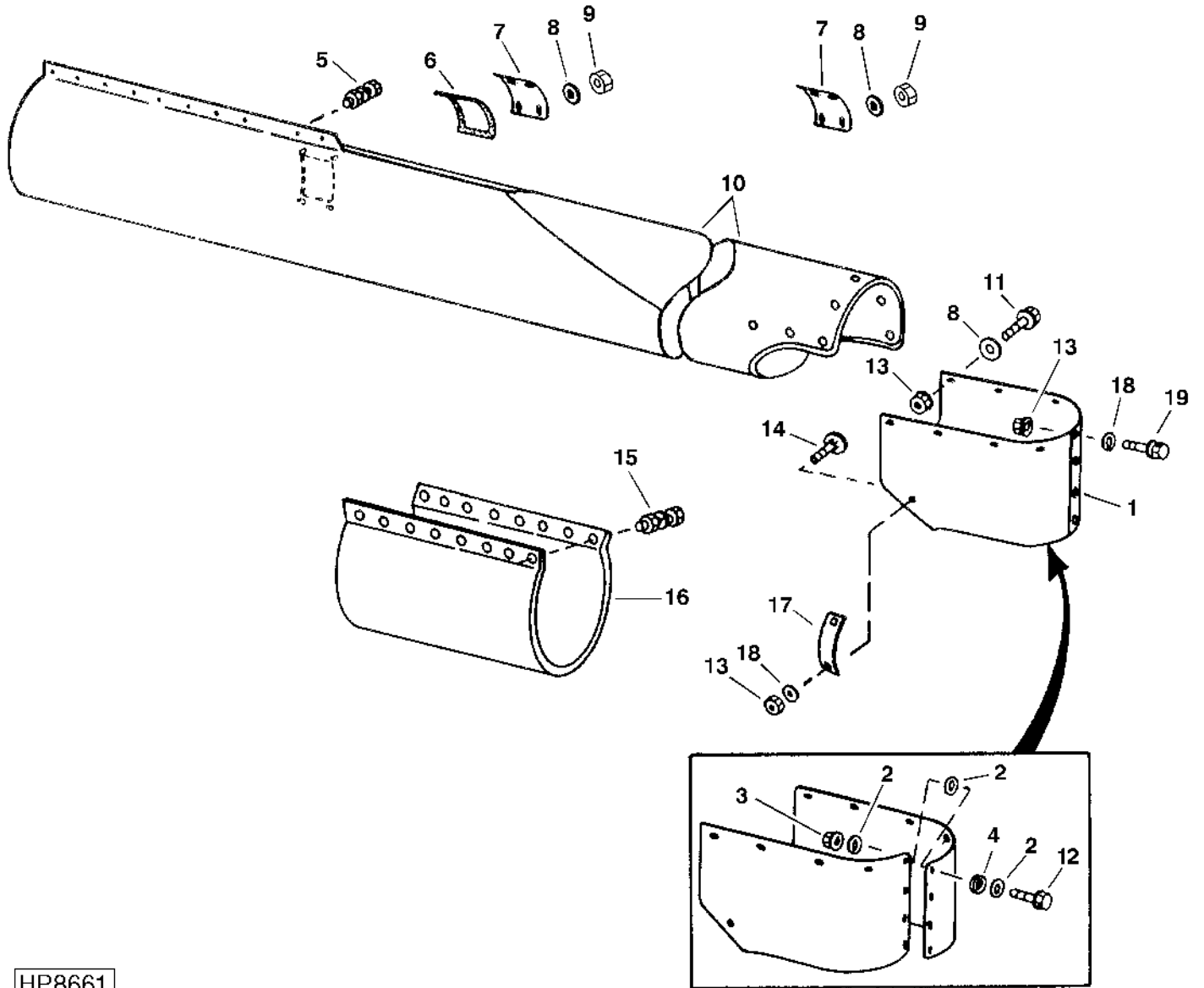
GRAIN TANK AND UNLOADING AUGER

HORIZONTAL UNLOADING AUGER HOUSING

(17 AND 20 FT.)

HP8661

-UN-11JUN99



HP8661

4B24

GRAIN TANK AND UNLOADING AUGER

HORIZONTAL UNLOADING AUGER HOUSING - CONTINUED (17 AND 20 FT.)

KEY	PART NO.	PART NAME	QTY	SERIAL NO.	REMARKS
				9 9	
				6 7	
				5 5	
				0 0	
1	H149780	SPOUT	1	X X	(USE WITH 17FT AND 20FT AUGERS)
2	28H5	WASHER	3	X X	0.269" X 0.405" X 1/4"
3	14M7303	FLANGE NUT	3	X X	M6
4	24H1291	WASHER	9	X X	21/64" X 1-15/32" X 7/64"
5	19M7868	SCREW	11	X X	M8 X 30
	14M7396	LOCK NUT	11	X X	M8
6	WEATHERSTRIP	1	X X	CUT FROM H81330 (USE WITH THE 20FT AUGER)
7	H96652	DOOR	2	X X	(USE WITH THE 20FT AUGER)
8	24M7207	WASHER	16	X X	8.400 X 24 X 2 MM, (USE WITH THE 20FT AUGER)
9	14H785	NUT	8	X X	5/16", (USE WITH THE 20FT AUGER)
10	AH145049	HOUSING	1	X X	5.2M (17FT.) RIGID
	AH140335	HOUSING	1	X X	5.2M (17FT.) PERFORATED
	AH145050	HOUSING	1	X X	6.1M (20FT.) RIGID
	AH113392	HOUSING	1	X X	6.1M (20FT.) PERFORATED
11	19M7867	SCREW	8	X X	M8 X 25
12	19M7863	SCREW	3	X X	M6 X 25
	19M7796	SCREW	3	X X	M6 X 30
13	14M7298	FLANGE NUT	11	X X	M8
14	03M7184	BOLT	2	X X	M8 X 20
15	19M7897	SCREW	10	X X	M8 X 35
	14M7298	FLANGE NUT	10	X X	M8
16	H127998	COVER	1	X X	(17FT. AUGER) (USE WITH PERFORATED AUGER HOUSING)
	H100027	COVER	1	X X	(20FT. AUGER) (USE WITH PERFORATED AUGER HOUSING)
17	H141450	STRAP	1	X X	
18	24H1291	WASHER	5	X X	21/64" X 1-15/32" X 7/64"
19	19M7867	SCREW	2	X X	M8 X 25

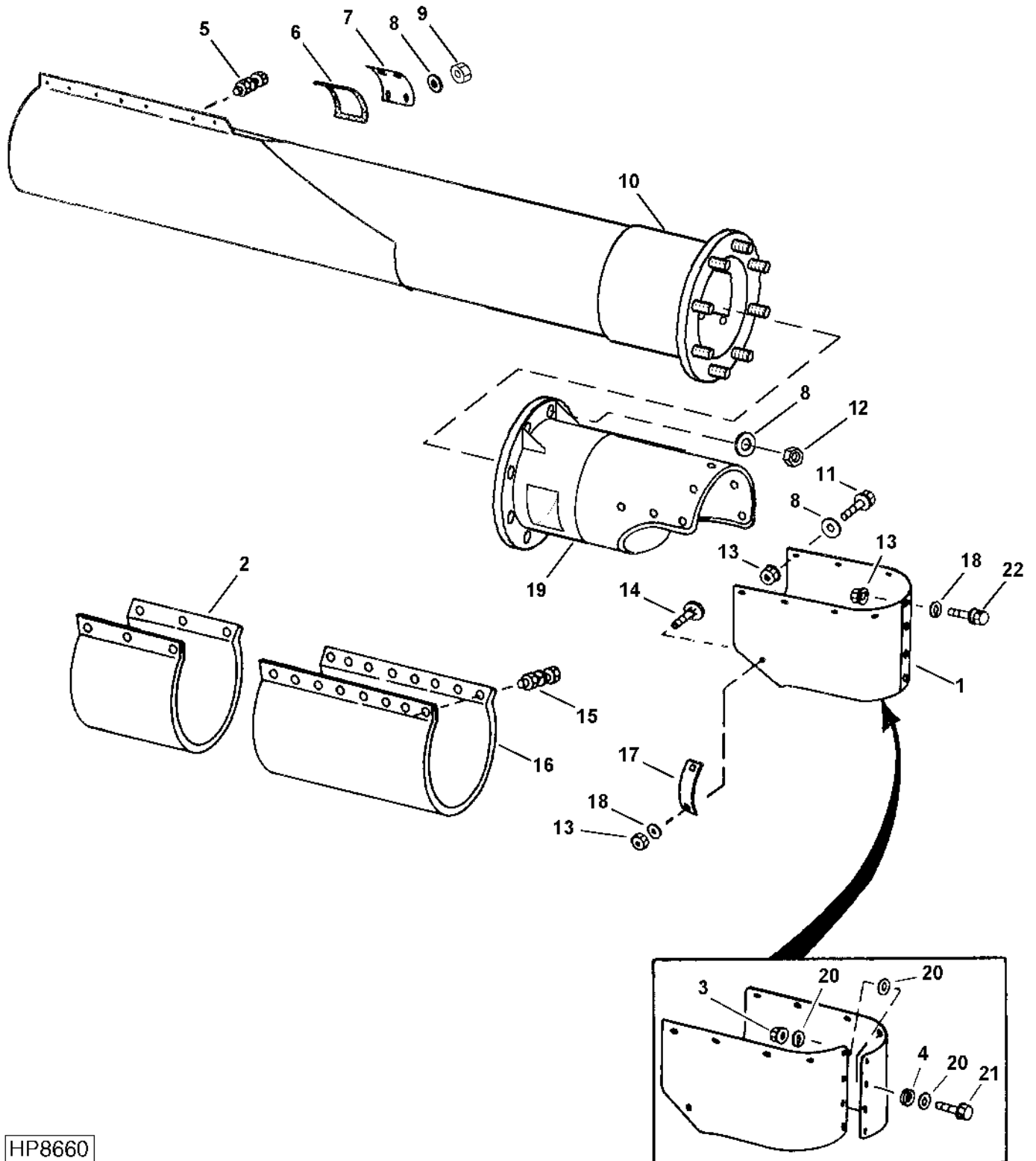
4C1

GRAIN TANK AND UNLOADING AUGER

HORIZONTAL UNLOADING AUGER HOUSING (EXPORT)

(17 AND 20 FT.)

HP8660 -UN-11JUN99



HP8660

4C2

GRAIN TANK AND UNLOADING AUGER

HORIZONTAL UNLOADING AUGER HOUSING (EXPORT) - CONTINUED (17 AND 20 FT.)

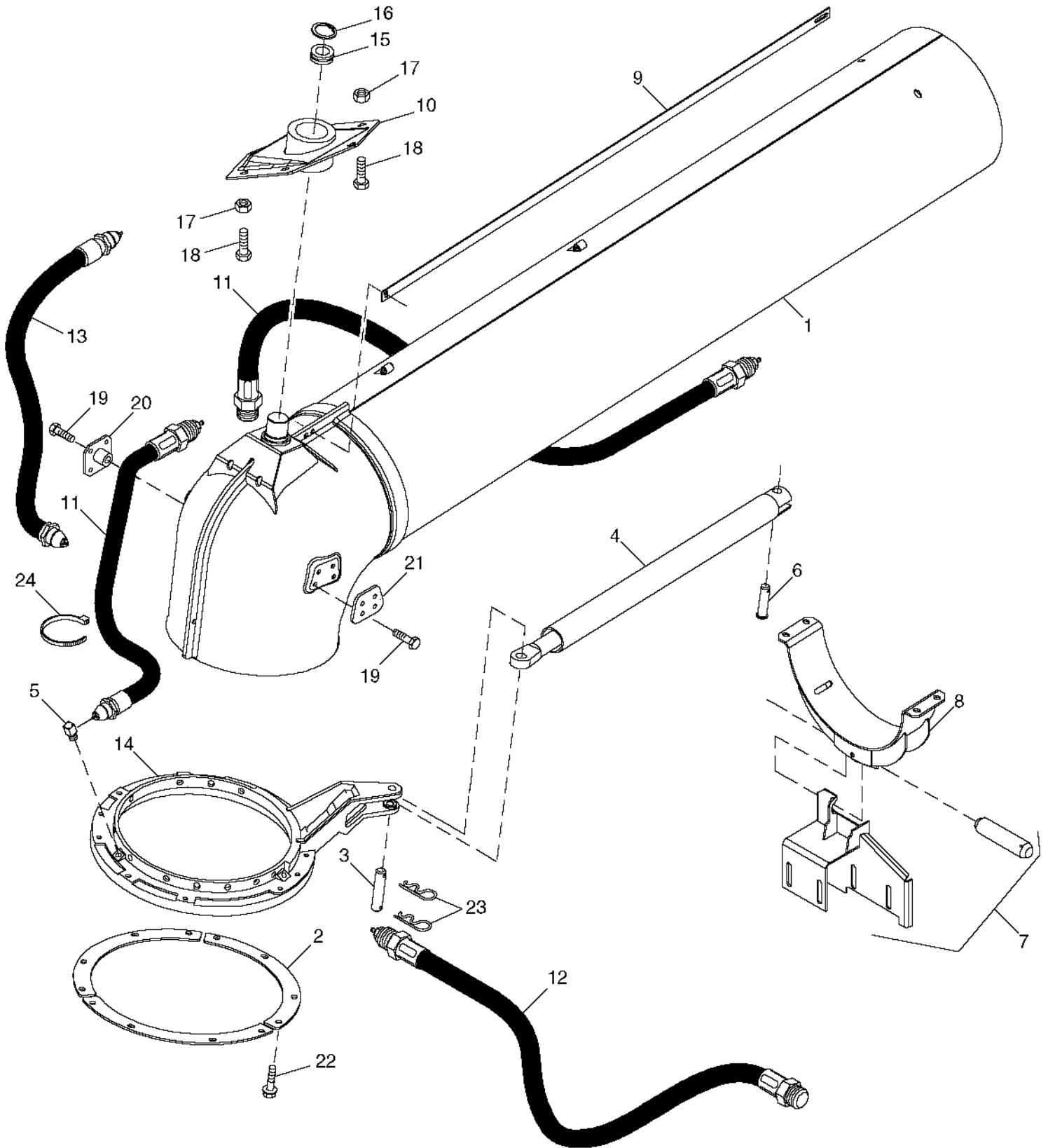
KEY	PART NO.	PART NAME	QTY	SERIAL NO.	REMARKS
				9 9	
				6 7	
				5 5	
				0 0	
1	H149780	SPOUT	1	X X	USE WITH 17FT AND 20FT AUGERS
2	H159784	COVER	1	X X	UNLOADING AUGER
3	14M7303	FLANGE NUT	3	X X	M6
4	24H1291	WASHER	9	X X	21/64" X 1-15/32" X 7/64"
5	19M7868	SCREW	11	X X	M8 X 30
	14M7396	LOCK NUT	11	X X	M8
6	WEATHERSTRIP	1	X X	CUT FROM H81330 (USE WITH THE 20FT AUGER)
7	H96652	DOOR	2	X X	USE WITH THE 20FT AUGER
8	24M7207	WASHER	24	X X	8.400 X 24 X 2 MM, USE WITH THE 20FT AUGER
9	14H785	NUT	8	X X	5/16", USE WITH THE 20FT AUGER
10	AH151407	HOUSING	1	X X	INNER, RIGID
	AH151408	HOUSING	1	X X	INNER, PERFORATED
11	19M7867	SCREW	8	X X	M8 X 25
12	14M7296	FLANGE NUT	8	X X	M10
13	14M7298	FLANGE NUT	11	X X	M8
14	03M7184	BOLT	2	X X	M8 X 20
15	19M7897	SCREW	10	X X	M8 X 35
	14M7298	FLANGE NUT	10	X X	M8
16	H127998	COVER	1	X X	(17FT. AUGER) USE WITH PERFORATED AUGER HOUSING
	H100027	COVER	1	X X	(20FT. AUGER) USE WITH PERFORATED AUGER HOUSING
17	H141450	STRAP	1	X X	
18	24H1291	WASHER	5	X X	21/64" X 1-15/32" X 7/64"
19	AH151409	HOUSING	1	X X	OUTER, PERFORATED (6.1M (20FT.) AUGER)
	AH151410	HOUSING	1	X X	OUTER, RIGID (5.2M (17FT.) AUGER)
	AH151411	HOUSING	1	X X	OUTER, RIGID (6.1M (20FT.) AUGER)
20	28H5	WASHER	3	X X	0.269" X 0.405" X 1/4"
21	19M7863	SCREW	3	X X	M6 X 25
	19M7796	SCREW	3	X X	M6 X 30
22	19M7867	SCREW	2	X X	M8 X 25

4C3

GRAIN TANK AND UNLOADING AUGER

HORIZONTAL UNLOADING AUGER SWIVEL

HP9733 -UN-25APR00



HP9733

4C4

GRAIN TANK AND UNLOADING AUGER

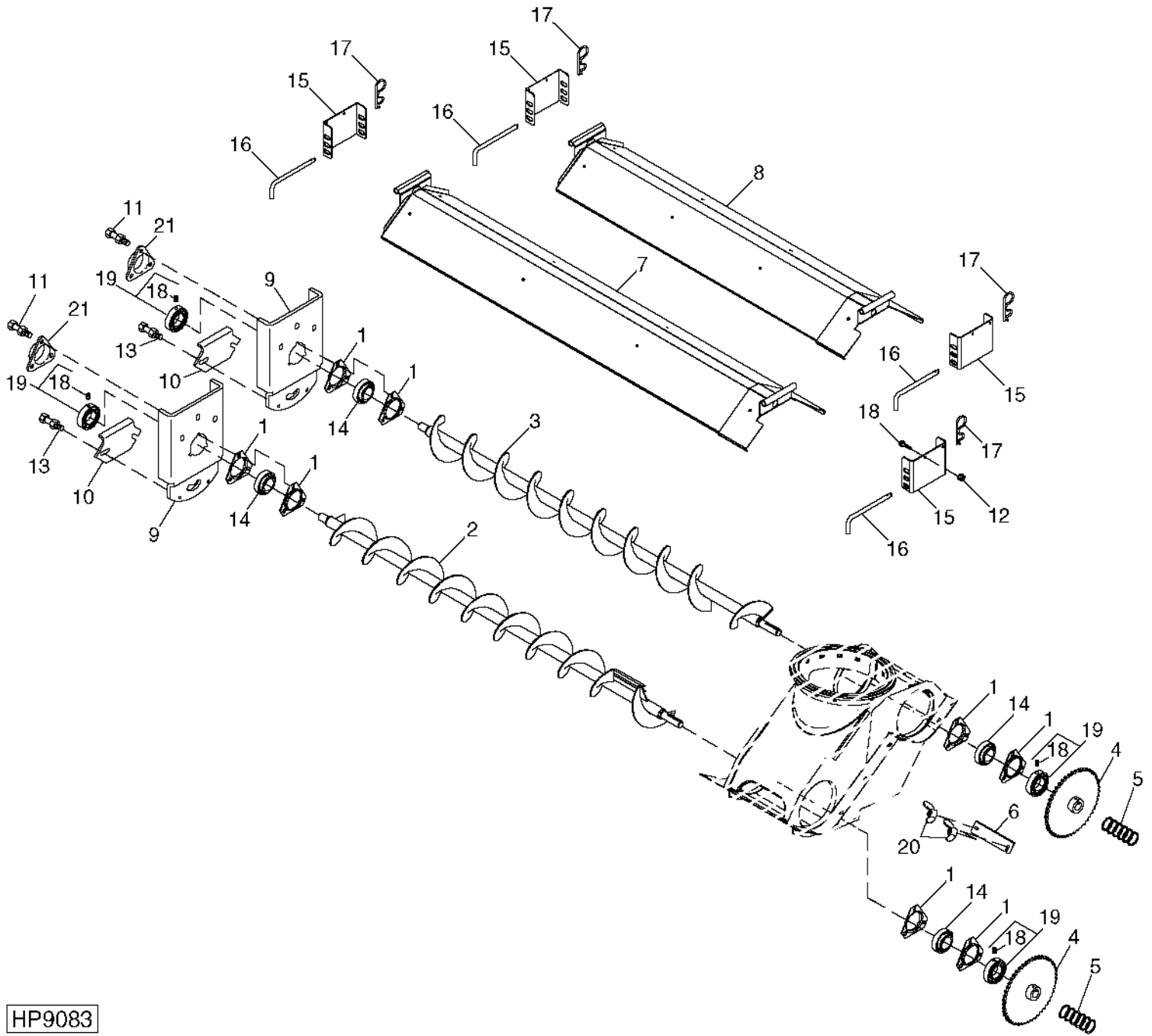
HORIZONTAL UNLOADING AUGER SWIVEL - CONTINUED

KEY	PART NO.	PART NAME	QTY	SERIAL NO.	REMARKS
				9 9	
				6 7	
				5 5	
				0 0	
1	AH163869	HOUSING	1		X X
2	H131356	SECTOR	1		X X
3	H156347	PIN	1		X X
4	CYLINDER	1		X X
5	JD7839	LUBRICATION FITTING	1		X X
6	R56930	PIN	1		X X
7	AH155323	BRACKET	1		X X
8	AH136153	STRAP	1		X X
9	H116351	STRAP	1		X X
10	AH146880	PLATE	1		X X
11	AH136554	HOSE	2		X X
12	AH136553	HOSE	1		X X
13	AH144816	HOSE	1		X X
14	H159864	RING	1		X X
15	AT82473	SELF-ALIGNING BUSHING	1		X X
16	40M7090	SNAP RING	1		X X
17	14M7299	FLANGE NUT	6		X X M12
18	19M7789	SCREW	6		X X M12 X 30
19	19M7785	SCREW	8		X X M10 X 1.5 X 25
20	AH123912	SUPPORT	1		X X
21	H147752	PLATE	1		X X
22	19M7784	SCREW	12		X X M10 X 20
23	A15147	SPRING LOCKING PIN	2		X X
24	H77698	TIE BAND	1		X X

4C5

GRAIN TANK AND UNLOADING AUGER

CROSS AUGERS
HP9083 -UN-20SEP99



HP9083

4C6

GRAIN TANK AND UNLOADING AUGER

CROSS AUGERS - CONTINUED

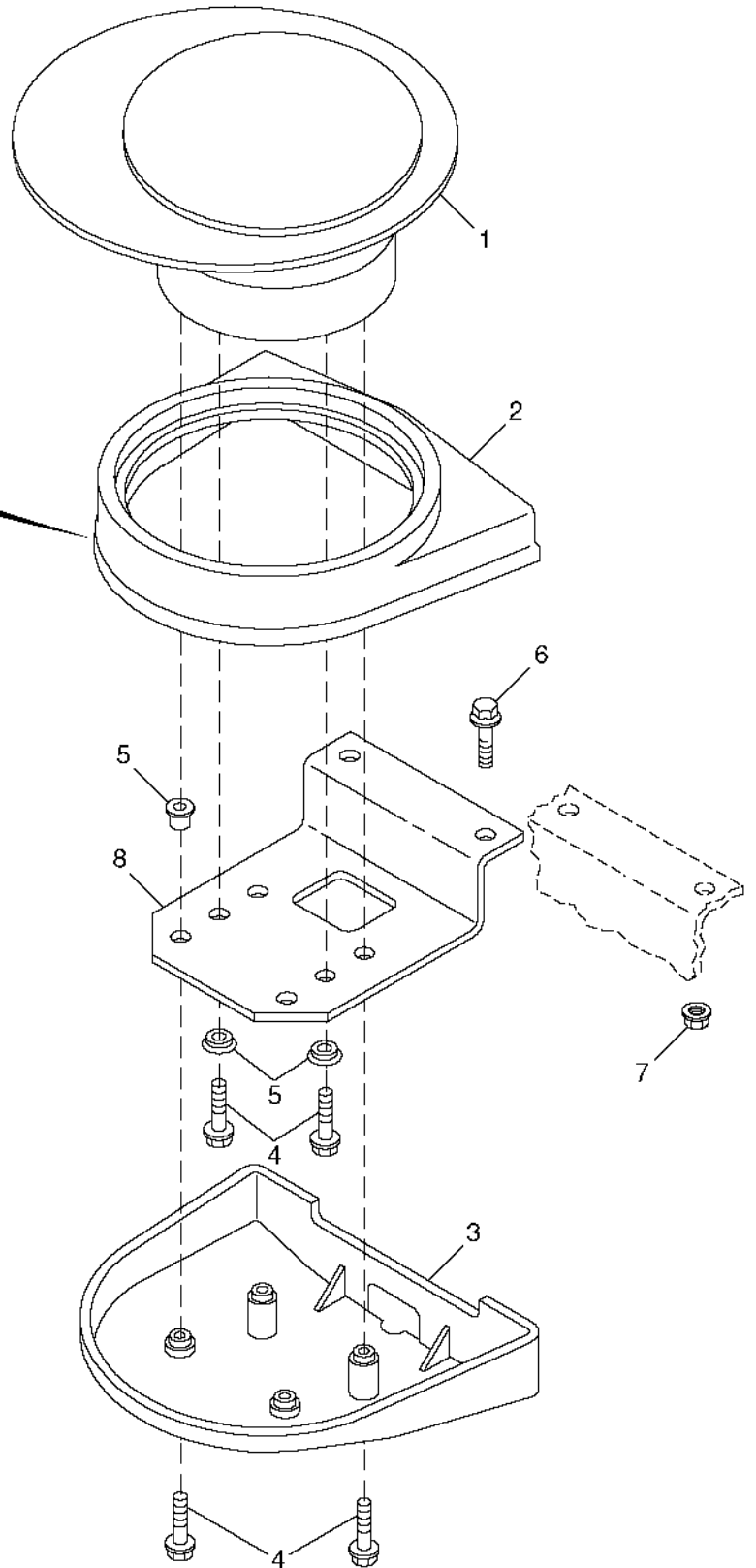
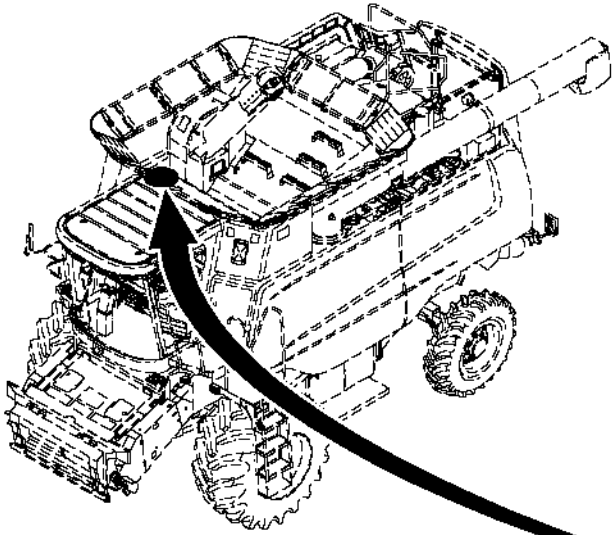
KEY	PART NO.	PART NAME	QTY	SERIAL NO.	REMARKS
				9 9	
				6 7	
				5 5	
				0 0	
1	H161529	PRESSED FLANGED HOUSING	8	X X	
2	AH167847	AUGER	1	X X	(SUB FOR AH154965)
3	AH167848	AUGER	1	X X	(SUB FOR AH154966)
4	AH125070	CHAIN SPROCKET	2	X X	
	AH140001	CHAIN SPROCKET	1	X X	60 TEETH (REAR) (SLOW SPEED)
	AH146352	DRIVE SPROCKET	1	X X	40 TEETH (FRONT) (SLOW SPEED)
5	WELD STUD	2	X X	
6	H130771	PLATE	1	X X	
7	AH146983	COVER	1	X X	
8	AH147601	COVER	1	X X	
9	H152866	REINFORCEMENT	2	X X	
10	H102909	COVER	2	X X	
11	03M7190	BOLT	6	X X	M10 X 20
	14M7296	FLANGE NUT	6	X X	M10
12	19M7784	SCREW	6	X X	M10 X 20
	14M7296	FLANGE NUT	6	X X	M10
13	19M7866	SCREW	4	X X	M8 X 20
	14M7396	LOCK NUT	4	X X	M8
14	JD39104	BALL BEARING	2	X X	
15	H153145	BRACKET	4	X X	
16	H158087	PIN	4	X X	
17	A3581R	SPRING LOCKING PIN	4	X X	
18	22M7081	SET SCREW	4	X X	M10 X 10
19	AH133191	ECCENTRIC LOCKING COLLAR	4	X X	
20	14M7020	WING NUT	2	X X	M8
21	H145319	COVER	2	X X	

MEMORANDA

MEMORANDA

4C9

POSITION RECEIVER
HP9469 -UN-26JAN00



HP9469

4C10

GREENSTAR YIELD MAPPING AND MONITOR SYSTEMS

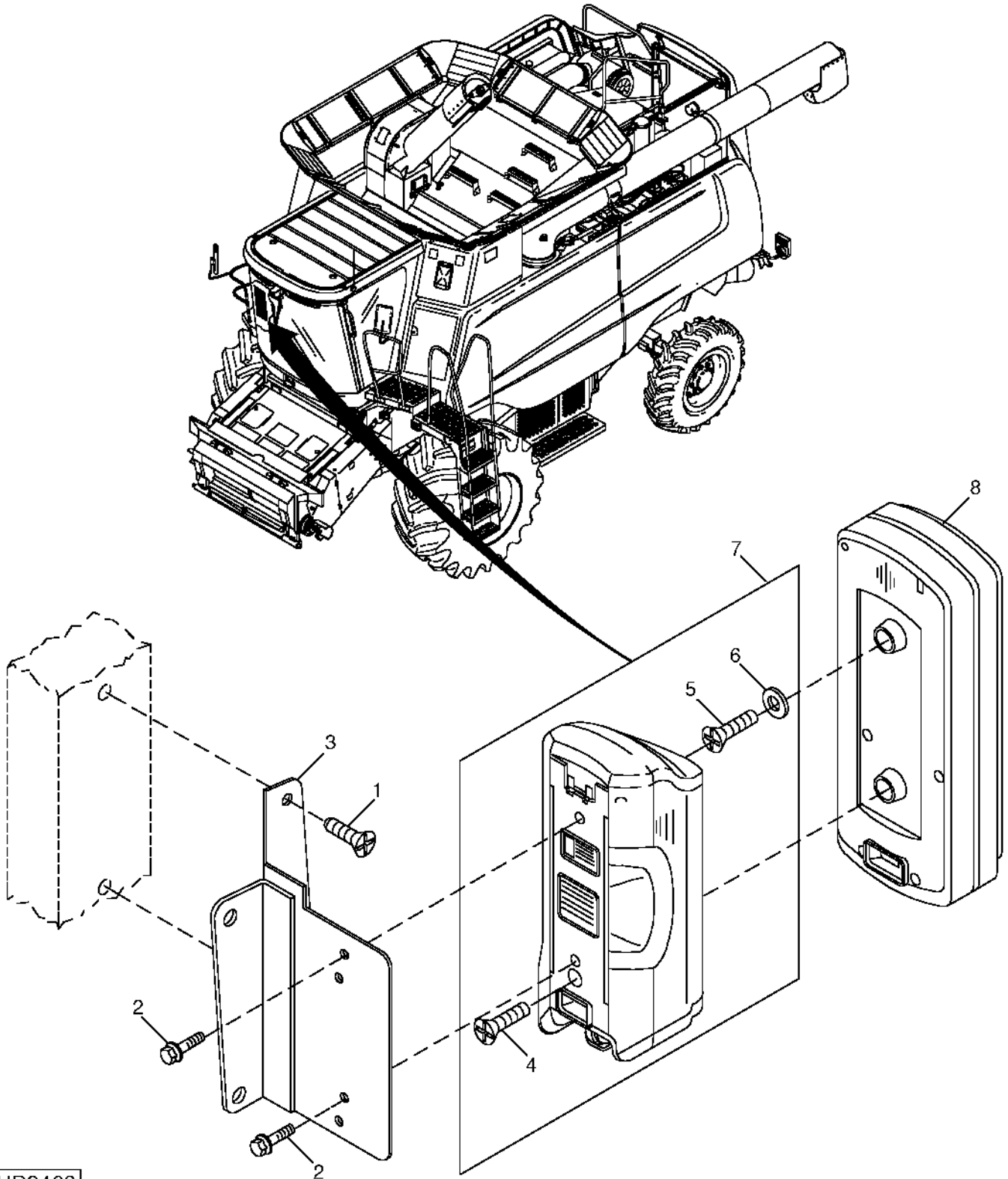
POSITION RECEIVER - CONTINUED

KEY	PART NO.	PART NAME	QTY	SERIAL NO.	9 9 6 7 5 5 0 0	REMARKS
1	PF80314	POSITION RECEIVER	1		X X	
2	PF10134	COVER	1		X X	
3	PF10135	COVER	1		X X	
4	21M7267	SCREW	6		X X	(A) M6 X 20
5	PF10240	WASHER	6		X X	(A)
6	19M7865	SCREW	2		X X	(A) M8 X 16
7	14M7298	FLANGE NUT	2		X X	(A) M8
8	PF10123	BRACKET	1		X	
	PF10523	BRACKET	1		X	
..	PF80016	PACKAGE OF PARTS	1		X X	INCLUDES PARTS MARKED (A)

4C11

GREENSTAR YIELD MAPPING AND MONITOR SYSTEMS

GREENSTAR™ DISPLAY AND MOBILE PROCESSOR
HP9468 -UN-11JAN00



HP9468

4C12

GREENSTAR YIELD MAPPING AND MONITOR SYSTEMS

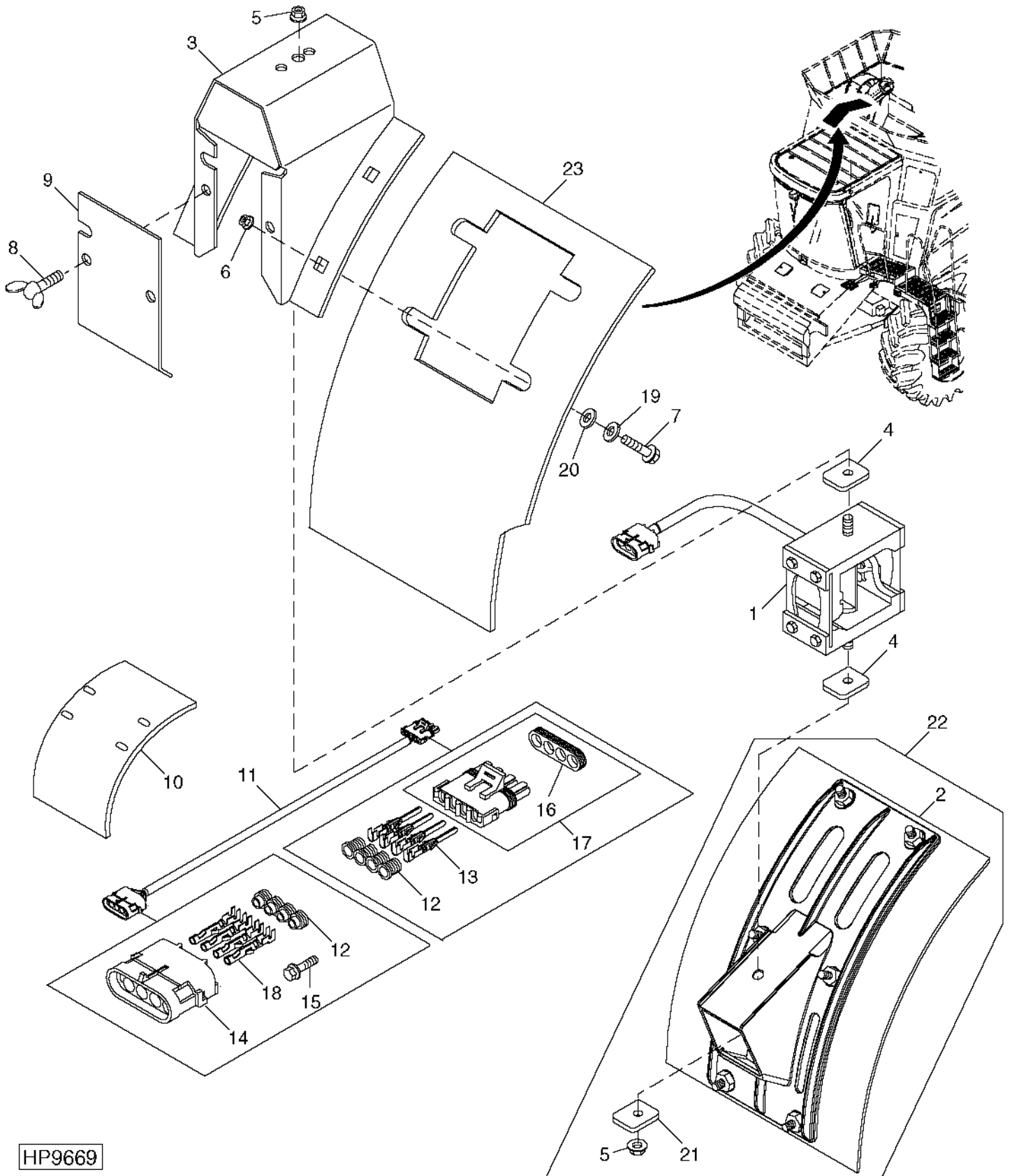
GREENSTAR™ DISPLAY AND MOBILE PROCESSOR - CONTINUED

KEY	PART NO.	PART NAME	QTY	SERIAL NO.	REMARKS
				9 9	
				6 7	
				5 5	
				0 0	
1	H168424	SCREW	2	X X	
2	19M7774	SCREW	2	X X	M6 X 12
3	PF80209	BRACKET	1	X X	
4	21M7327	SCREW	1	X X	M6 X 35
5	21M7305	SCREW	1	X X	M6 X 12
6	24M7100	WASHER	1	X X	6.600 X 22 X 2 MM
7	PF80316	MOBILE PROCESSOR MODULE	1	X X	(SUB FOR PF80156)
8	PF80370	GREENSTAR DISPLAY MODULE	1	X X	(SUB FOR PF80150)
..	PF90091	GREENSTAR DISPLAY MODULE	1	X X	KIT FOR THE CONVERSION OF 2.5V AND 4.5V GREENSTAR™ DISPLAYS TO DUAL CAN
..	BH81758	COMPLETE GOODS/SHIP. BUNDLE	1	X X	MAPPING CONVERSION KIT
..	BH81760	COMPLETE GOODS/SHIP. BUNDLE	1	X X	MONITOR CONVERSION KIT

4C13

GREENSTAR YIELD MAPPING AND MONITOR SYSTEMS

MASS FLOW SENSOR
HP9669 -UN-31MAR00



HP9669

4C14

GREENSTAR YIELD MAPPING AND MONITOR SYSTEMS

MASS FLOW SENSOR - CONTINUED

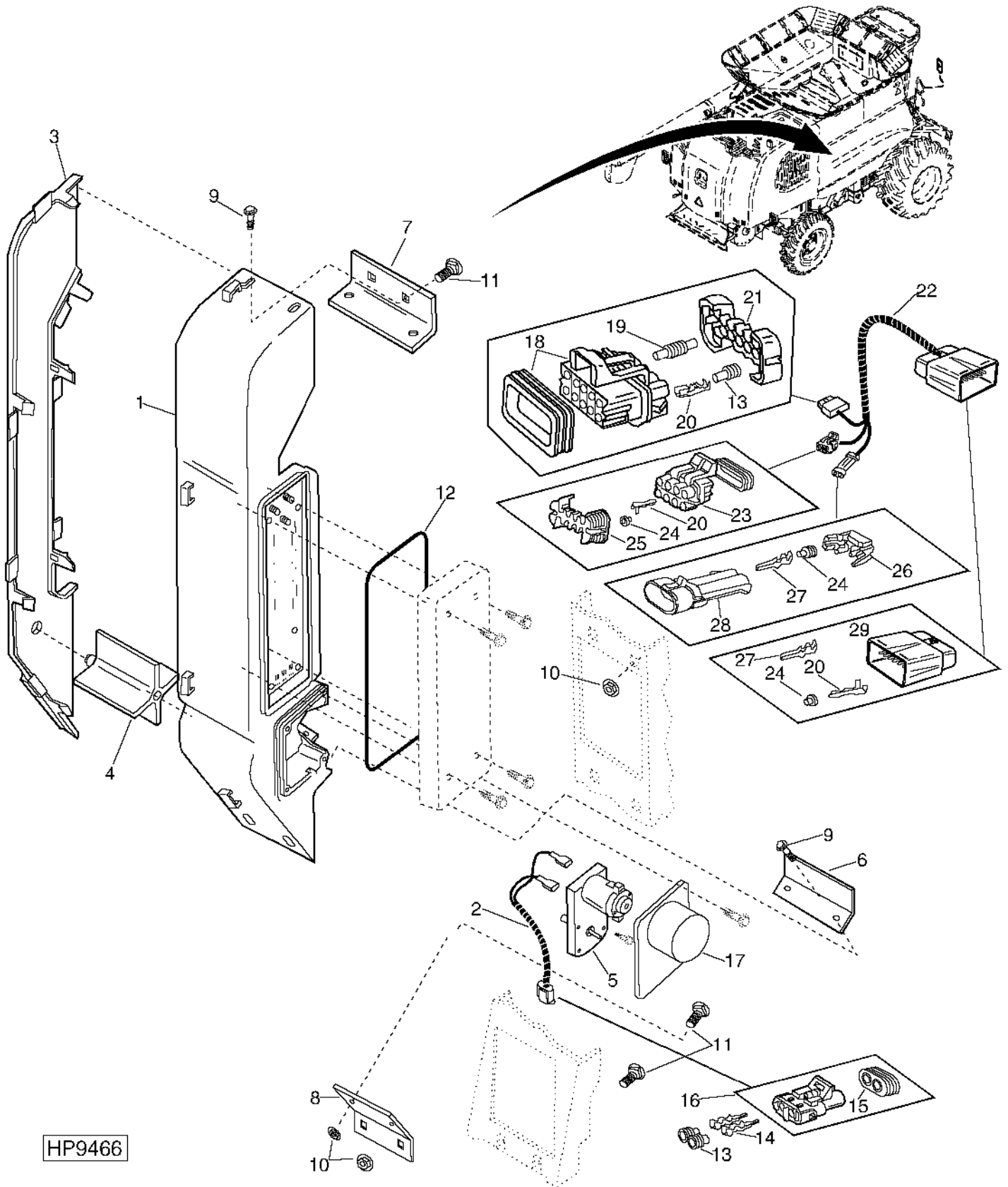
KEY	PART NO.	PART NAME	QTY	SERIAL NO.	REMARKS
				9 9	
				6 7	
				5 5	
				0 0	
1	AH163359	SENSOR	1		(SUB FOR PF80000)
2	AH165256	BRACKET	1	-XXXXXX	
	AH164349	BRACKET	1	XXXXXX-	
3	PF80047	BRACKET	1		
4	PF10350	SPACER	2		
5	H135891	LOCK NUT	AR		
6	14M7303	FLANGE NUT	4		M6
7	03M7190	BOLT	4		M10 X 20
8	21M1690	WING SCREW	2		M6 X 16
9	PF10173	COVER	1		
10	H171004	COVER	1		WHEN MASS-FLOW SENSOR IS NOT USED
11	AH165189	WIRING HARNESS	1		
12	R78059	ELECTRICAL PLUG	1		(PKG. OF 40) (18 OR 20 GA. WIRE) (GREEN)
13	R78057	SOCKET CONTACT	1		(PKG. OF 40) (18 OR 20 GA. WIRE) (NO. 19)
14	R78055	PIN CONTACT CONNECTOR BODY	1		(PKG. OF 2)
15	R78064	ELECTRICAL PLUG	1		(PKG. OF 40)
16	R78049	SEAL	1		(PKG. OF 5)
17	RE12364	SOCKET CONT.CONNECTOR BODY	1		(PKG. OF 3)
18	R78058	PIN CONTACT	1		(PKG. OR 40) (18 OR 20 GA. WIRE) (NO. 19)
19	Z36140	WASHER	4		
20	24H1313	WASHER	4		13/32" X 1-3/4" X 0.065"
21	PF10350	SPACER	1	-XXXXXX	
	H172113	SPACER	1	XXXXXX-	
22	AH164288	MASS FLOW SENSOR MODULE	1	XXXXXX-	
23	H167717	SHEET	1		
..	BH81742	COMPLETE GOODS/SHIP. BUNDLE	1		YIELD MAP KIT
..	BH81758	COMPLETE GOODS/SHIP. BUNDLE	1		MAPPING CONVERSION KIT
..	BH81760	COMPLETE GOODS/SHIP. BUNDLE	1		MONITOR CONVERSION KIT

S.N. 9650(-686277)(686278-)
 S.N. 9750(-686185)(686186-)

4C15

GREENSTAR YIELD MAPPING AND MONITOR SYSTEMS

MOISTURE SENSOR
HP9466 -UN-13JAN00



HP9466

4C16

MOISTURE SENSOR - CONTINUED

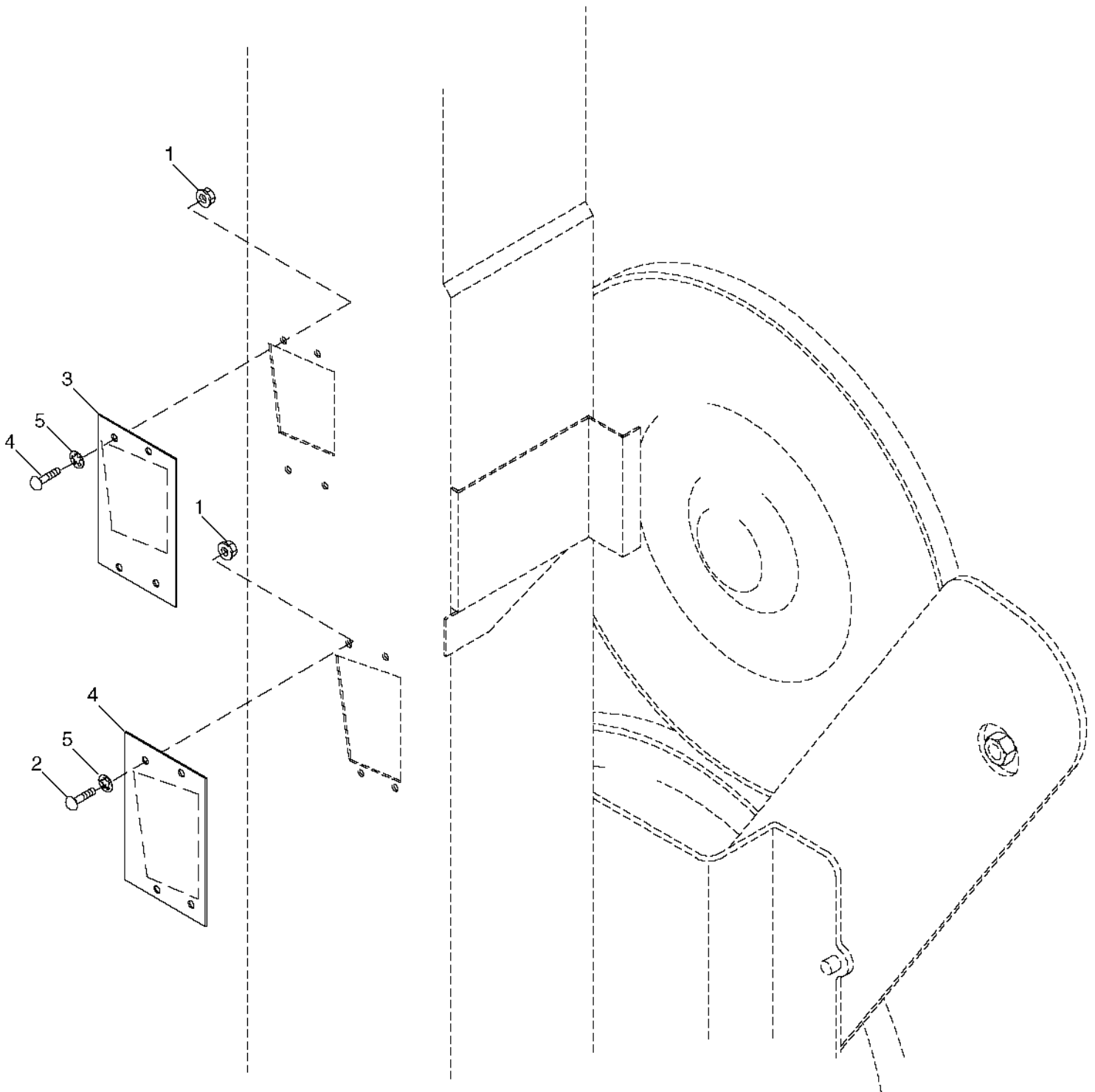
KEY	PART NO.	PART NAME	QTY	SERIAL NO.	9 9 6 7 5 5 0 0	REMARKS
1	PF80152	MOISTURE SENSOR MODULE	1	-XXXXXX	X X	
	AH167407	SENSOR	1	XXXXXX-	X X	
2	PF80058	MOTOR WIRING HARNESS	1		X X	
3	PF10034	COVER	1		X X	
4	PF80045	PADDLE WHEEL ASSEMBLY	1		X X	
5	AH128865	ELECTRIC MOTOR	1		X X	
6	PF10218	BRACKET	1		X X	MIDDLE
7	PF80022	BRACKET	1		X X	TOP
8	PF10106	BRACKET	1		X X	BOTTOM
9	19M7774	SCREW	2		X X	M6 X 12
10	14M7303	FLANGE NUT	8		X X	M6
11	03M7221	BOLT	8		X X	M6 X 16
12	PF10349	O-RING	1		X X	
13	R78063	TERMINAL NIPPLE	1		X X	(PKG. OF 40) (16 GA. WIRE) (GRAY)
14	R78060	SOCKET CONTACT	1		X X	(PKG. OF 40) (14 OR 16 GA. WIRE) (NO. 15)
15	R78048	TERMINAL NIPPLE	1		X X	(PKG. OF 5)
16	RE12363	CONNECTOR	1		X X	(PKG. OF 3)
17	PF10035	COVER	1		X X	
18	57M7262	RECEPTACLE CONNECTOR BODY	1		X X	
19	57M7259	ELECTRICAL PLUG	1		X X	
20	R104846	SOCKET CONTACT	1		X X	(PKG. OF 10) (16 GA WIRE)
21	57M7281	CONNECTOR	1		X X	
22	AH163684	WIRING HARNESS	1		X X	
23	57M7261	RECEPTACLE CONNECTOR BODY	1		X X	
24	57M7258	ELECTRICAL PLUG	1		X X	
25	57M7296	CONNECTOR	1		X X	
26	57M7316	CONNECTOR	1		X X	
27	R104919	PIN CONTACT	1		X X	
28	57M7256	PIN CONTACT CONNECTOR BODY	1		X X	
29	CONNECTOR	1		X X	
..	BH81742	COMPLETE GOODS/SHIP. BUNDLE	1		X X	YIELD MAP KIT

S.N. 9650(-686277)(686278-)
 S.N. 9750(-686185)(686186-)

4C17

GREENSTAR YIELD MAPPING AND MONITOR SYSTEMS

MOISTURE SENSOR COVERS
WHEN MOISTURE SENSOR IS NOT USED
HP9465 -UN-14FEB00



HP9465

4C18

GREENSTAR YIELD MAPPING AND MONITOR SYSTEMS

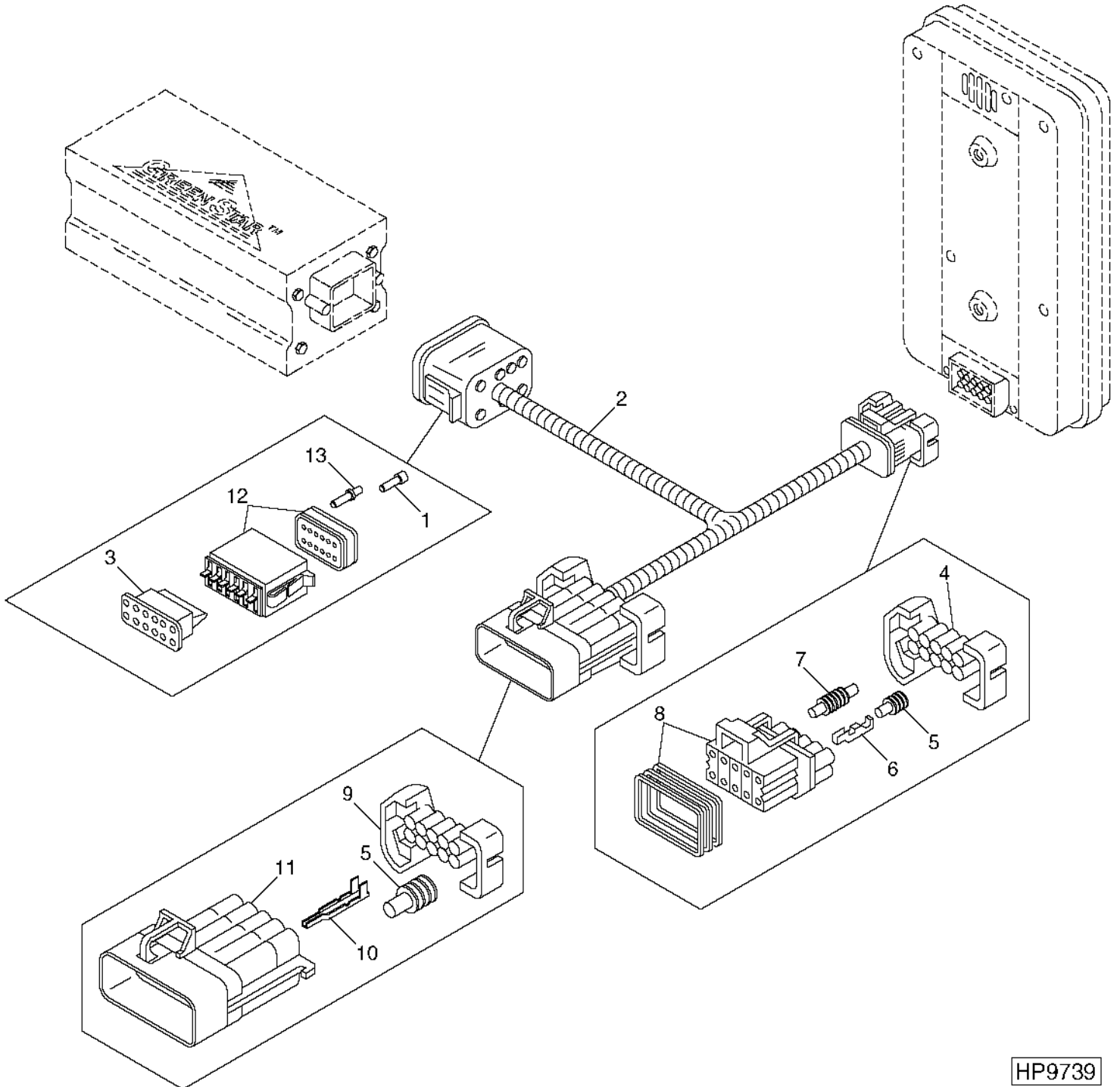
**MOISTURE SENSOR COVERS
WHEN MOISTURE SENSOR IS NOT USED**

KEY	PART NO.	PART NAME	QTY	SERIAL NO.	REMARKS
				9 9	
				6 7	
				5 5	
				0 0	
1	14M7303	FLANGE NUT	8	X X	M6
2	03M7221	BOLT	8	X X	M6 X 16
3	PF80173	COVER	1	X X	UPPER
4	PF80174	COVER	1	X X	LOWER
5	M80082	NUT	8	X X	

4C19

GREENSTAR YIELD MAPPING AND MONITOR SYSTEMS

DATASTORE HARNESS
HP9739 -UN-28APR00



HP9739

4C20

GREENSTAR YIELD MAPPING AND MONITOR SYSTEMS

DATASTORE HARNESS - CONTINUED

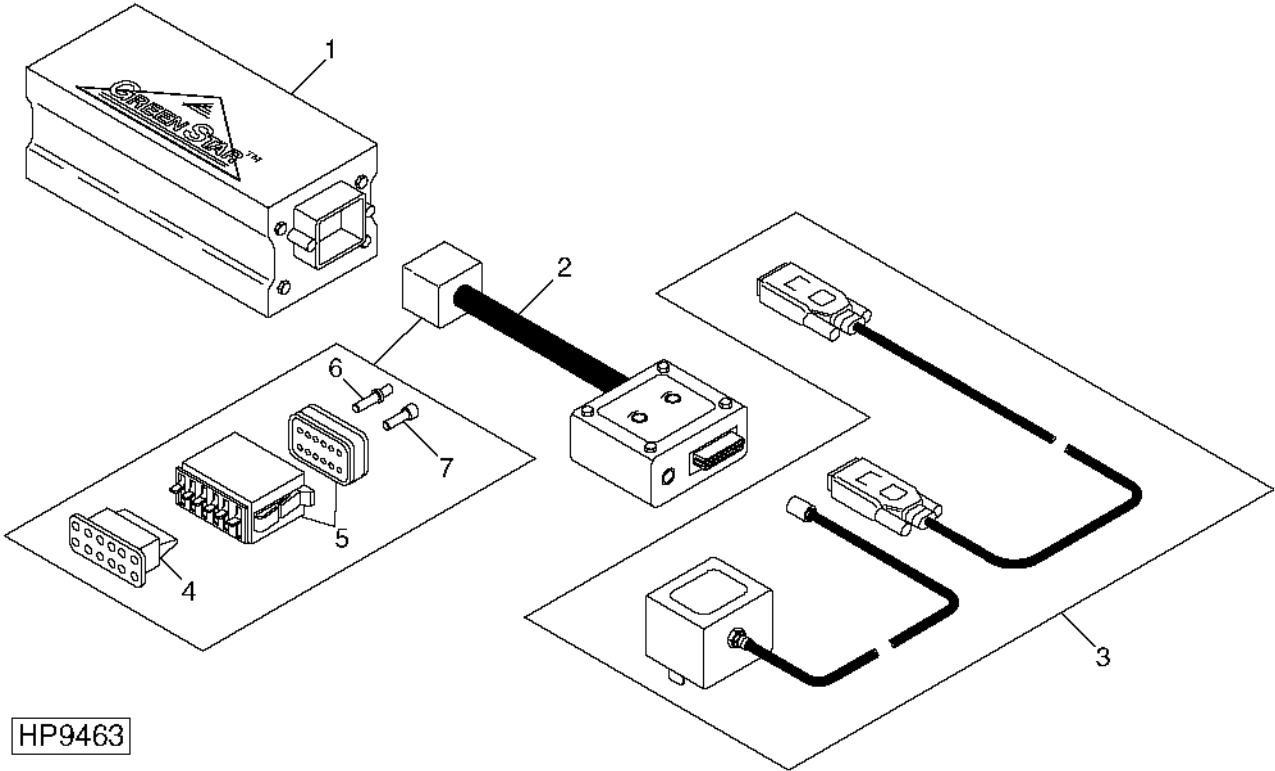
KEY	PART NO.	PART NAME	QTY	SERIAL NO.	9 9 6 7 5 5 0 0	REMARKS
1	R78069	ELECTRICAL PLUG	1		X X	
2	PF80136	WIRING HARNESS	1		X X	
3	57M7681	INSULATING SLEEVE	1		X X	
4	57M7281	CONNECTOR	1		X X	
5	R78063	TERMINAL NIPPLE	1		X X	
6	R104846	SOCKET CONTACT	1		X X	(PKG. OF 10) (16 GA. WIRE)
7	57M7259	ELECTRICAL PLUG	1		X X	
8	RE42195	CONNECTOR	1		X X	
9	57M7281	CONNECTOR	1		X X	
10	R104919	PIN CONTACT	1		X X	
11	RE42196	CONNECTOR	1		X X	
12	57M8039	ELECTRICAL PLUG	1		X X	
13	R78965	FITTING	1		X X	

4C21

GREENSTAR YIELD MAPPING AND MONITOR SYSTEMS

DATASTORE

HP9463 -UN-10JAN00



HP9463

9 9
6 7
5 5
0 0

KEY	PART NO.	PART NAME	QTY	SERIAL NO.	REMARKS
1	PF80335	MODULE	1	X X	(SUB FOR PF80139)
2	PF80334	MODULE	1	X X	(SUB FOR PF80137)
3	PF80338	POWER SUPPLY	1	X X	
4	57M7681	INSULATING SLEEVE	1	X X	
5	57M8039	ELECTRICAL PLUG	1	X X	
6	R78965	FITTING	1	X X	
7	R78069	ELECTRICAL PLUG	1	X X	

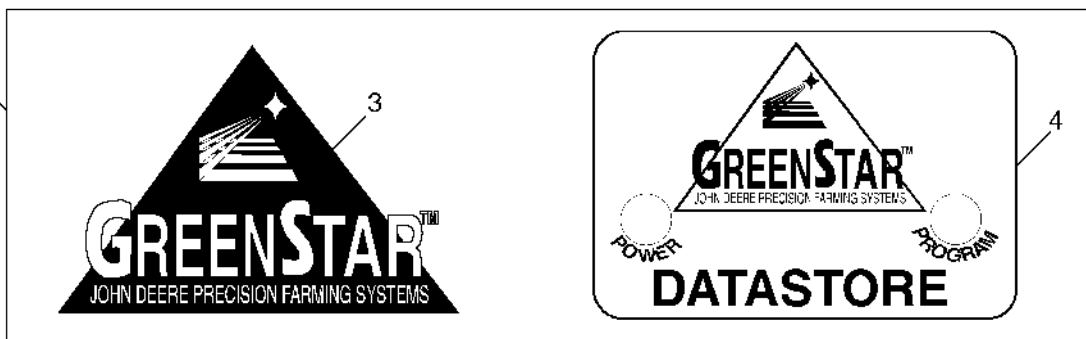
4C22

GREENSTAR YIELD MAPPING AND MONITOR SYSTEMS

DECALS

HP9461

-UN-11JAN00



HP9461

9 9
6 7
5 5
0 0

KEY	PART NO.	PART NAME	QTY	SERIAL NO.	REMARKS
1	PF10144	DECAL	1	X X	MOISTURE SENSOR
2	H163216	LABEL	2	X X	COMBINE GREENSTAR
3	DECAL	1	X X	(ORDER PF80339) DATASTORE UNIT
4	DECAL	1	X X	(ORDER PF80339) DATASTORE INTERFACE
5	PF80339	DECAL	1	X X	DATA STOR DECAL KIT

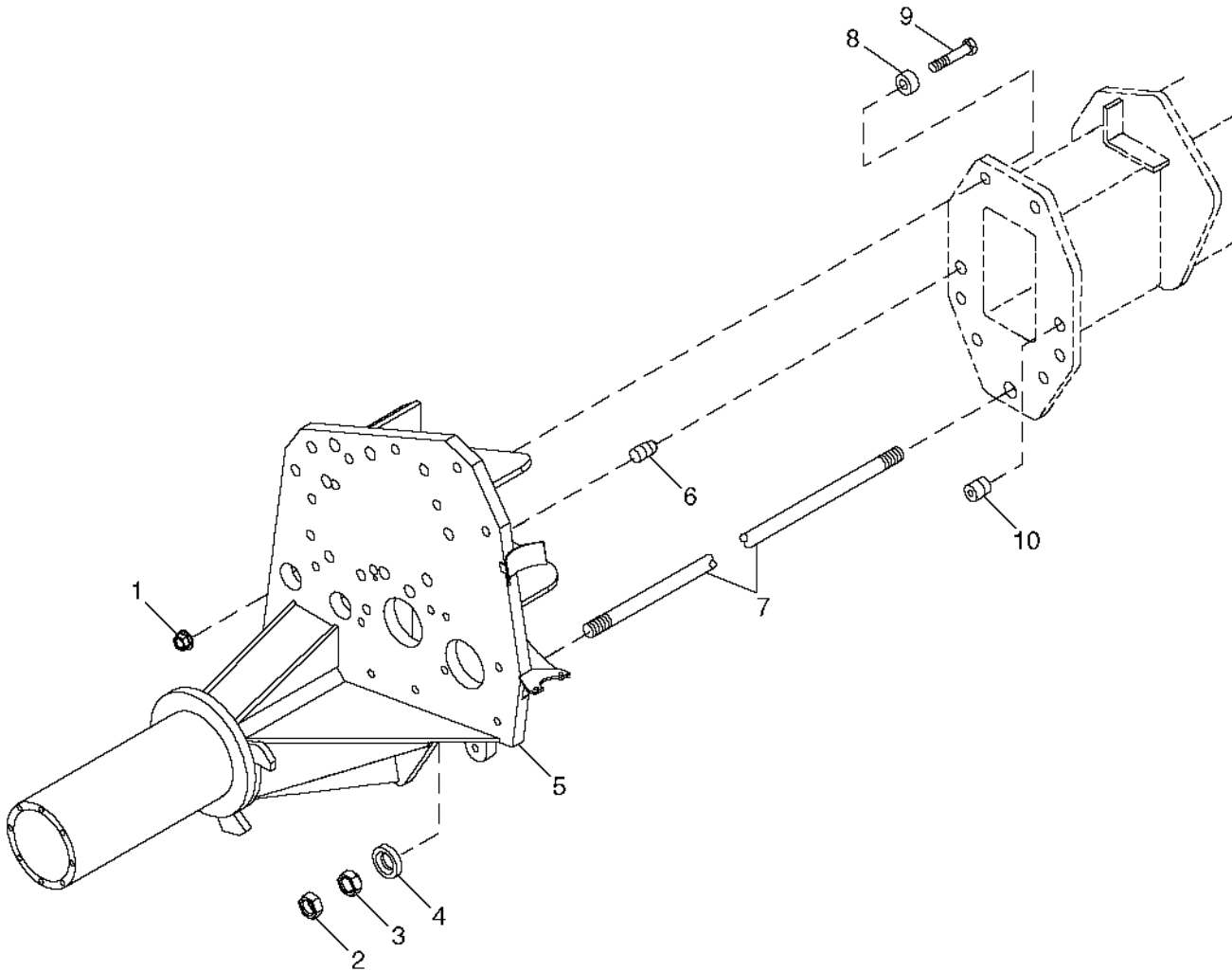
MEMORANDA

MEMORANDA

4D3

RUBBER TRACK SYSTEM

TRACK FRAME MOUNTING
HP8805 -UN-08JUL99



HP8805

4D4

RUBBER TRACK SYSTEM

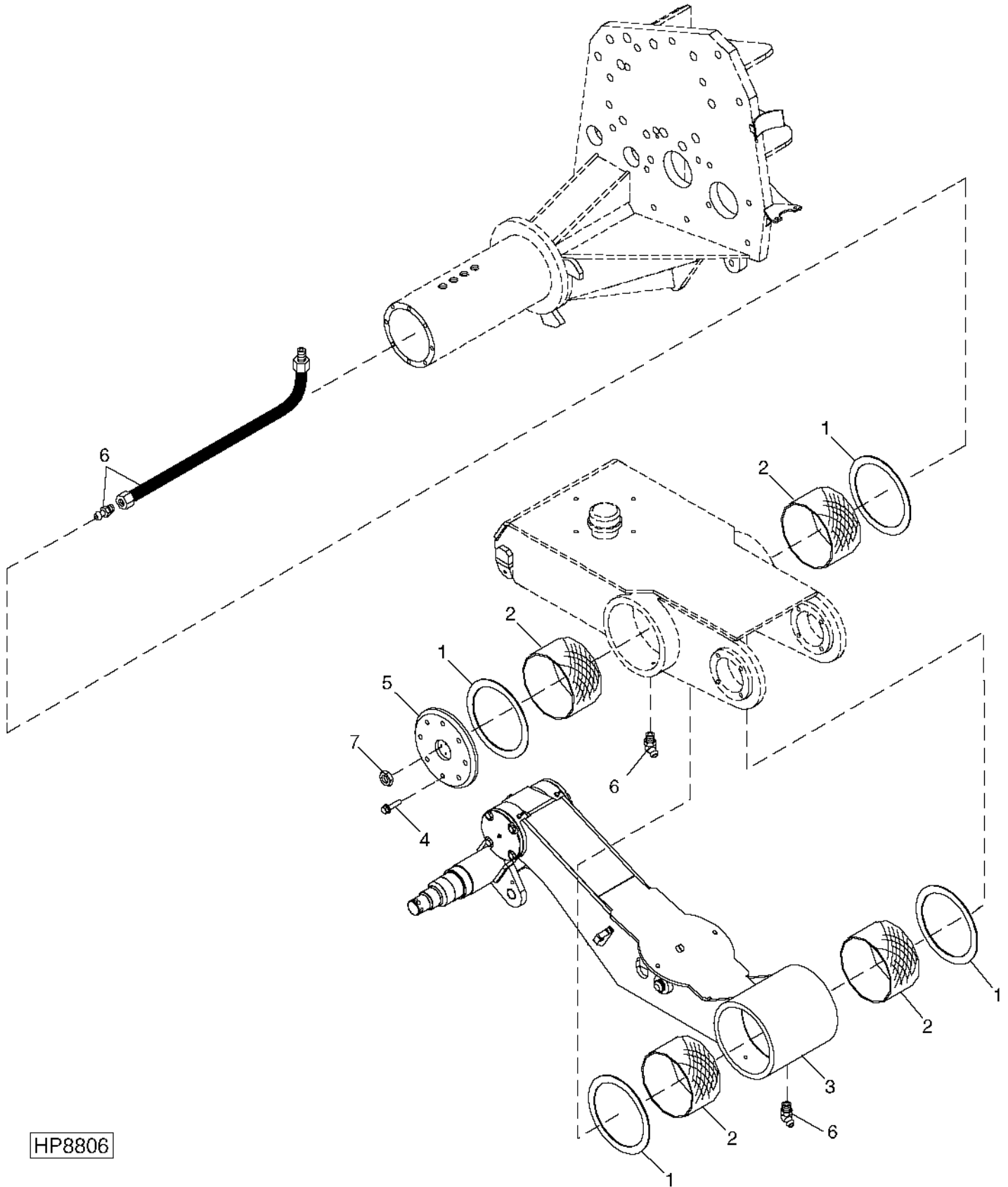
TRACK FRAME MOUNTING - CONTINUED

KEY	PART NO.	PART NAME	QTY	SERIAL NO.	9 6 5 0	REMARKS
1	14M7300	FLANGE NUT	12		X X	M20
2	14M7431	NUT	2		X X	M30
3	H130288	NUT	2		X X	
4	H130287	SPACER	2		X X	
5	AH164391	FRAME	1		X X	R.H.
	AH165202	FRAME	1		X X	L.H.
6	H146868	DOWEL PIN	4		X X	
7	H133635	STUD	1		X X	
8	H156127	SLEEVE	12		X X	
9	19M7963	CAP SCREW	12		X X	M20 X 100
10	H87691	BUSHING	2		X X	
..	AH150593	COMPLETE GOODS/SHIP. BUNDLE	1		X X	SHIPPING FRAME

4D5

MAIN FRAME PIVOT BUSHINGS

HP8806 -UN-09JUL99



HP8806

4D6

RUBBER TRACK SYSTEM

MAIN FRAME PIVOT BUSHINGS - CONTINUED

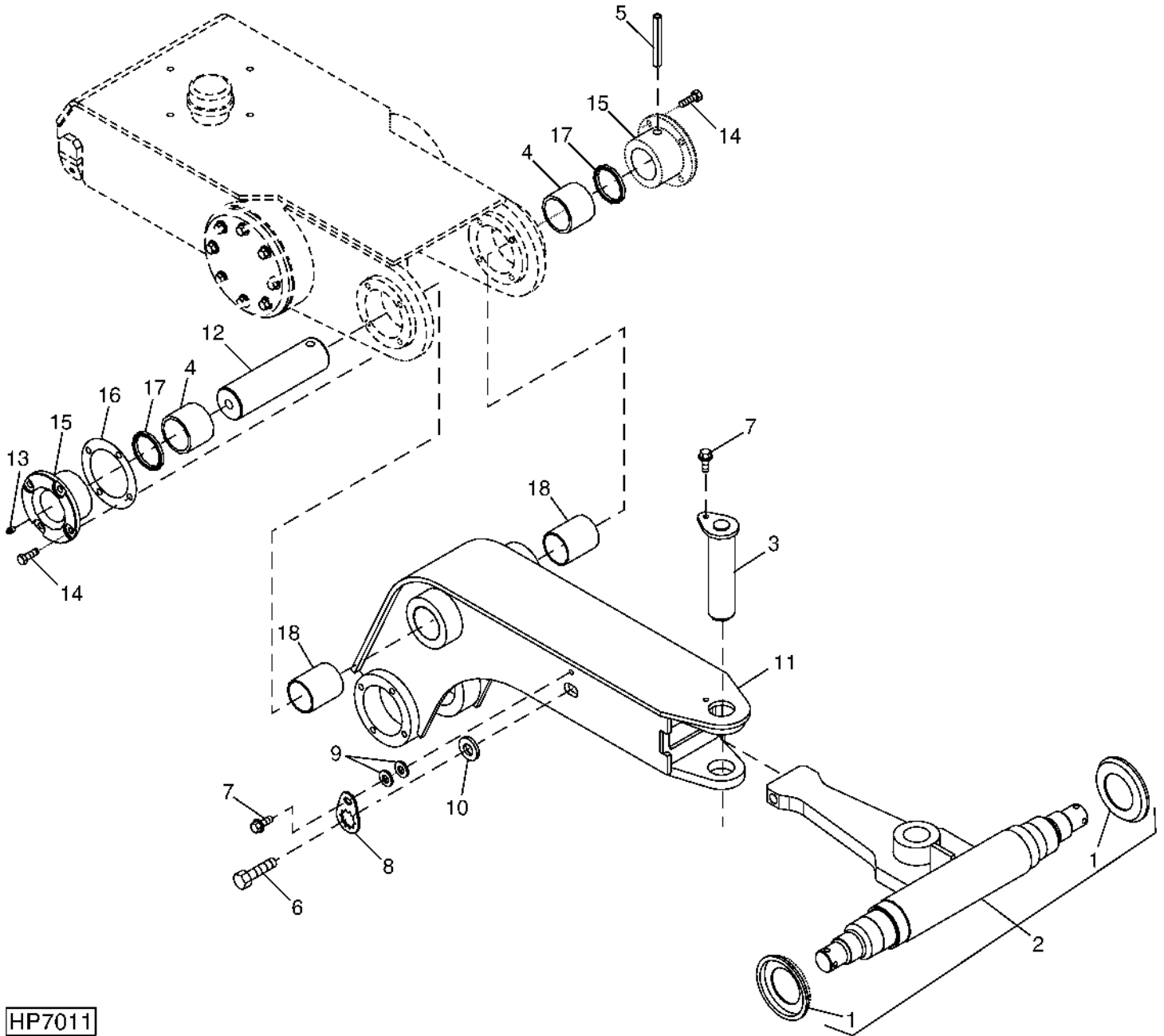
KEY	PART NO.	PART NAME	QTY	SERIAL NO.	9 9 6 7 5 5 0 0	REMARKS
1	H152745	WASHER	4		X X	
2	H170357	BUSHING	4		X X	
3	JD7763	LUBRICATION FITTING	4		X X	
4	19M7814	SCREW	8		X X	M12 X 50
5	AH163817	CAP	1		X X	
6	AT184336	HYDRAULIC HOSE	4		X X	
7	E12379	NUT	4		X X	

4D7

RUBBER TRACK SYSTEM

FRONT ARM AND ADJUSTABLE IDLER ASSEMBLY

HP7011 -UN-15JUL97



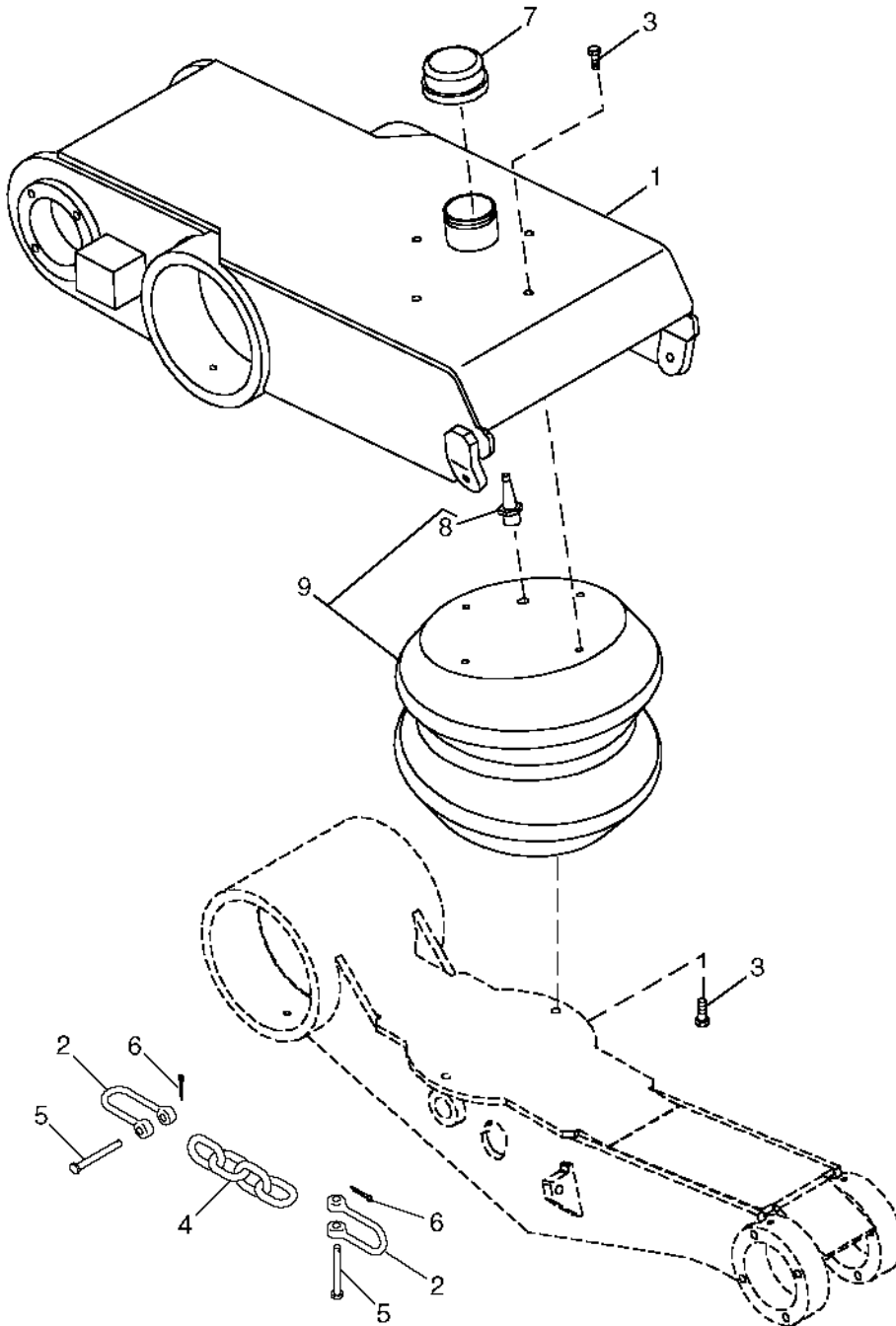
HP7011

FRONT ARM AND ADJUSTABLE IDLER ASSEMBLY - CONTINUED

KEY	PART NO.	PART NAME	QTY	SERIAL NO.	REMARKS
				9 9	
				6 7	
				5 5	
				0 0	
1	H152741	RETAINER	2	X X	
2	AH146864	AXLE	1	X X	
3	AH149752	KINGPIN	1	X X	
4	T122720	BUSHING	2	X X	(A)
5	34M7254	SPRING PIN	1	X X	(A) 16 X 90 MM
6	19M8639	CAP SCREW	2	X X	M20 X 70
7	19M7785	SCREW	3	X X	M10 X 25
8	H157868	RETAINER	2	X X	
9	24M7028	WASHER	4	X X	10.500 X 20 X 2 MM
10	H170552	WASHER	2	X X	
11	AH165222	SUPPORT	1	X X	
12	H163999	PIN	1	X X	(A)
13	JD7759	LUBRICATION FITTING	1	X X	(A)
14	19M8011	CAP SCREW	8	X X	(A) M12 X 30
15	H164001	BEARING CAP	2	X X	(A)
16	H157615	SHIM	AR	X X	(A) .508 MM
	H157616	SHIM	AR	X X	(A) .254 MM
	H157617	SHIM	AR	X X	(A) .127 MM
	H157696	WASHER	AR	X X	(A) 1.0 MM
17	T68818	SEAL	2	X X	(A)
18	H164002	SLEEVE	2	X X	(A) REQUIRES TY15969 MAXIMUM STRENGTH RETAINING COMPOUND FOR INSTALLATION
..	TY15969	ADHESIVE	1	X X	MAXIMUM STRENGTH RETAINING COMPOUND; REQUIRED FOR INSTALLATION OF SLEEVES H164002
..	AH157937	KIT	1	X X	TRACK DRIVE BUSHING REPLACEMENT KIT; INCLUDES ALL PARTS MARKED (A)

4D9

AIR SUSPENSION
HP8807 -UN-08JUL99



HP8807

4D10

RUBBER TRACK SYSTEM

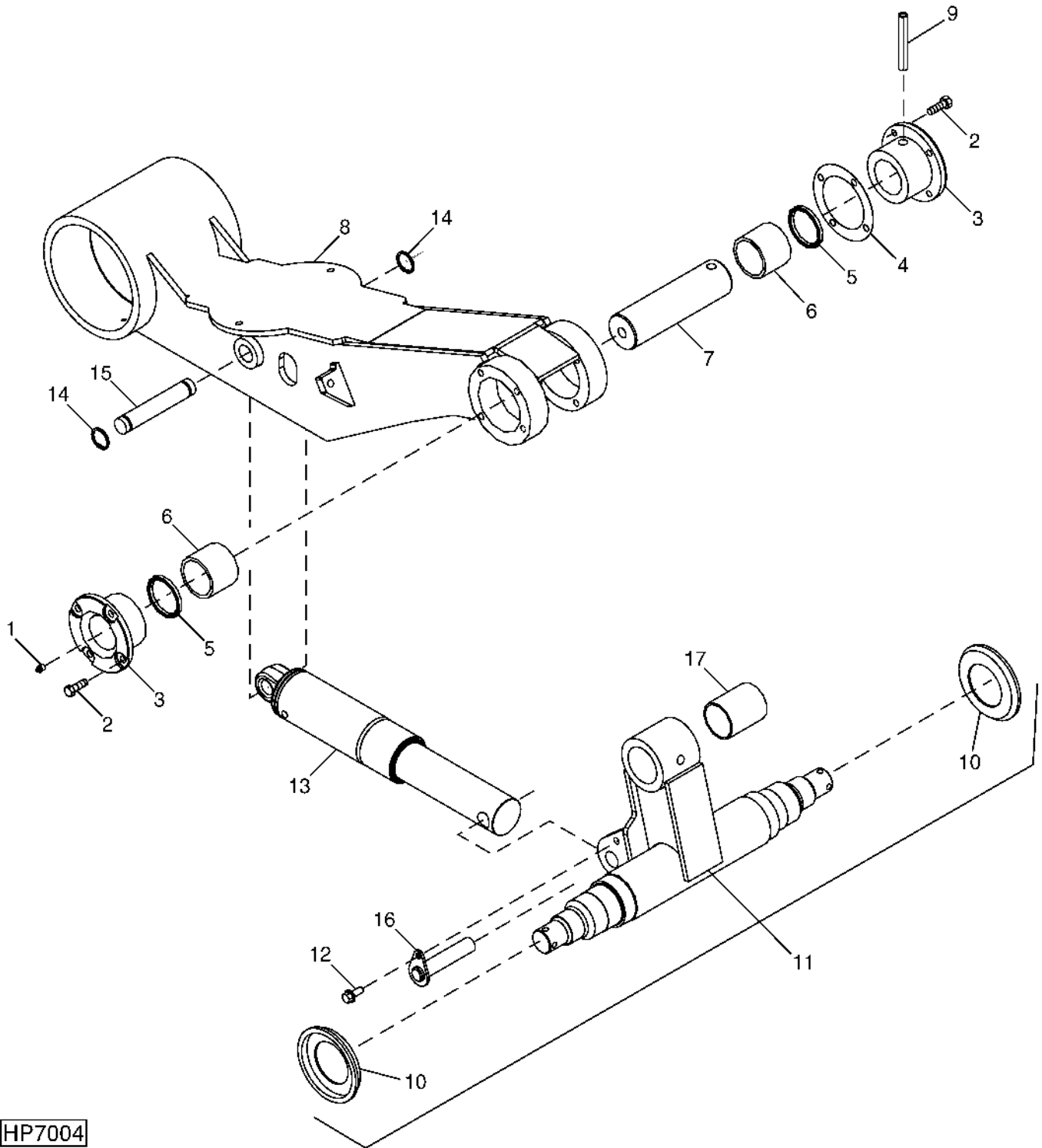
AIR SUSPENSION - CONTINUED

KEY	PART NO.	PART NAME	QTY	SERIAL NO.	9 9 6 7 5 5 0 0	REMARKS
1	AH146871	HOUSING	1		X X	R.H.
	AH147118	HOUSING	1		X X	L.H.
2	H170718	CLEVIS	4		X X	
3	19H2676	CAP SCREW	6		X X	3/8" X 1"
4	AH146979	LINK CHAIN	2		X X	
5	A15719	PIN	4		X X	
6	11M7084	COTTER PIN	4		X X	5 X 25 MM
7	15H658	FITTING	1		X X	2-1/2"
8	AH150490	TIRE VALVE STEM	1		X X	
9	AH168710	ABSORBER	1		X X	(SUB FOR AH145385)

4D11

RUBBER TRACK SYSTEM

REAR ARM, TENSION CYLINDER AND IDLER AXLE HP7004 -UN-15JUL97



HP7004

4D12

RUBBER TRACK SYSTEM

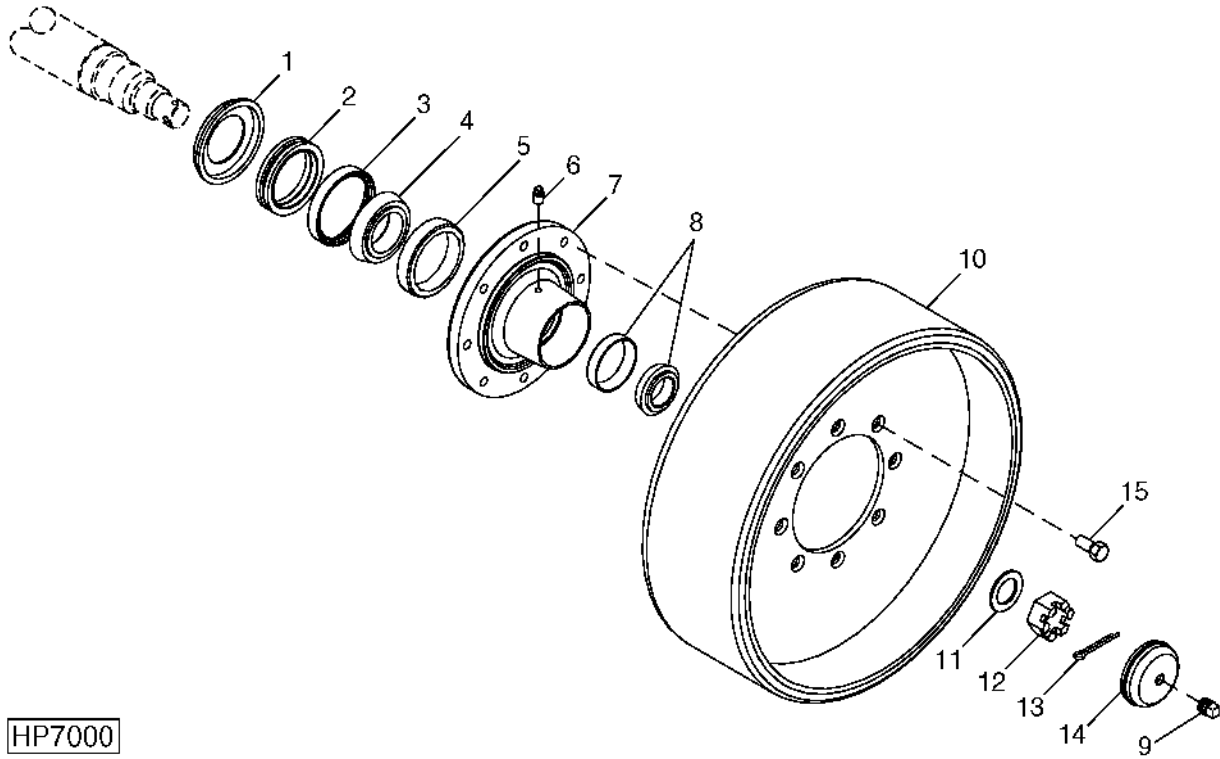
REAR ARM, TENSION CYLINDER AND IDLER AXLE - CONTINUED

KEY	PART NO.	PART NAME	QTY	SERIAL NO.	REMARKS
				9 9	
				6 7	
				5 5	
				0 0	
1	JD7759	LUBRICATION FITTING	1	X X	(A)
2	19M8011	CAP SCREW	8	X X	(A) M12 X 30
3	H164001	BEARING CAP	2	X X	(A)
4	H157615	SHIM	AR	X X	(A) .508 MM
	H157616	SHIM	AR	X X	(A) .254 MM
	H157617	SHIM	AR	X X	(A) .127 MM
	H157696	WASHER	AR	X X	(A) 1.0 MM
5	T68818	SEAL	2	X X	(A)
6	T122720	BUSHING	2	X X	(A)
7	H164000	PIN	1	X X	(A)
8	AH165223	CYLINDER	1	X X	
9	34M7254	SPRING PIN	1	X X	(A) 16 X 90 MM
10	H152741	RETAINER	2	X X	
11	AH164289	AXLE	1	X X	
12	19M7785	SCREW	1	X X	M10 X 25
13	AH149862	HYDRAULIC CYLINDER	1	X X	
14	T140425	SNAP RING	2	X X	
15	H159887	PIN	1	X X	
16	AH150166	PIN	1	X X	
17	H164002	SLEEVE	1	X X	(A) REQUIRES TY15969 MAXIMUM STRENGTH RETAINING COMPOUND FOR INSTALLATION
..	TY15969	ADHESIVE	1	X X	MAXIMUM STRENGTH RETAINING COMPOUND; REQUIRED FOR INSTALLATION OF SLEEVE H164002

4D13

RUBBER TRACK SYSTEM

IDLER WHEEL ASSEMBLY
HP7000 -UN-11SEP97



HP7000

KEY	PART NO.	PART NAME	QTY	SERIAL NO.	REMARKS
				9 9	
				6 7	
				5 5	
				0 0	
1	H152741	RETAINER	1	X X	
2	RE62719	SEAL	1	X X	
3	H152740	RETAINER	1	X X	
4	JD10266	BEARING CONE	1	X X	
5	JD7298	BEARING CUP	1	X X	
6	15H638	PIPE PLUG	2	X X	1/8"
7	H152409	HUB	1	X X	
8	AT121137	ROLLER BEARING	1	X X	MATCHED SET
9	15H254	PIPE PLUG	1	X X	1/4"
10	AH146764	WHEEL	1	X X	
11	CA25242	WASHER	1	X X	
12	T46438	NUT	1	X X	
13	11H227	COTTER PIN	1	X X	3/8" X 3"
14	AH160573	BEARING CAP	1	X X	
15	R35192	WHEEL BOLT	8	X X	

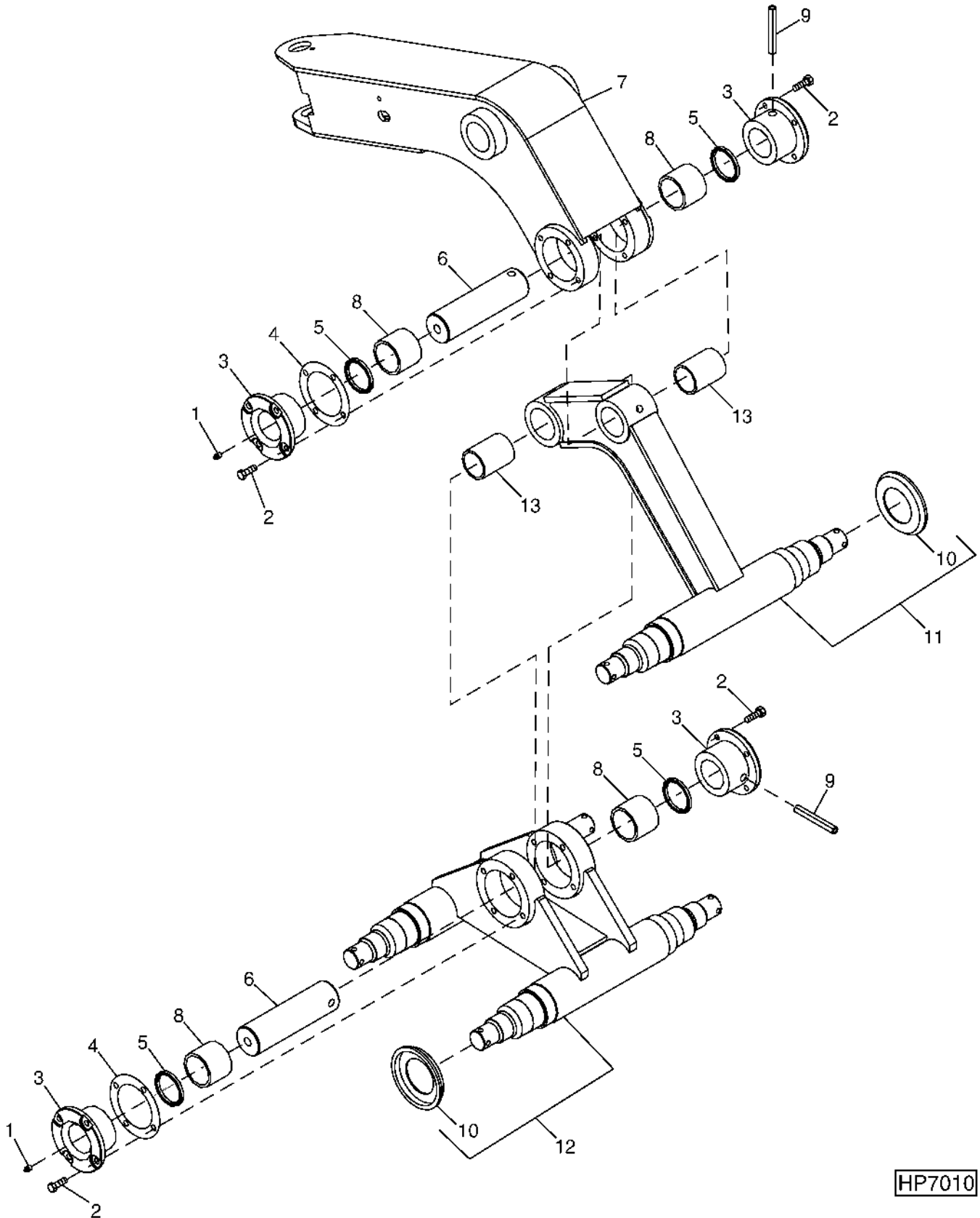
NOTE: QUANTITIES SHOWN FOR ONE ASSEMBLY.

MEMORANDA

4D14

RUBBER TRACK SYSTEM

BOGEY WHEEL AXLES
HP7010 -UN-15JUL97



HP7010

4D15

RUBBER TRACK SYSTEM

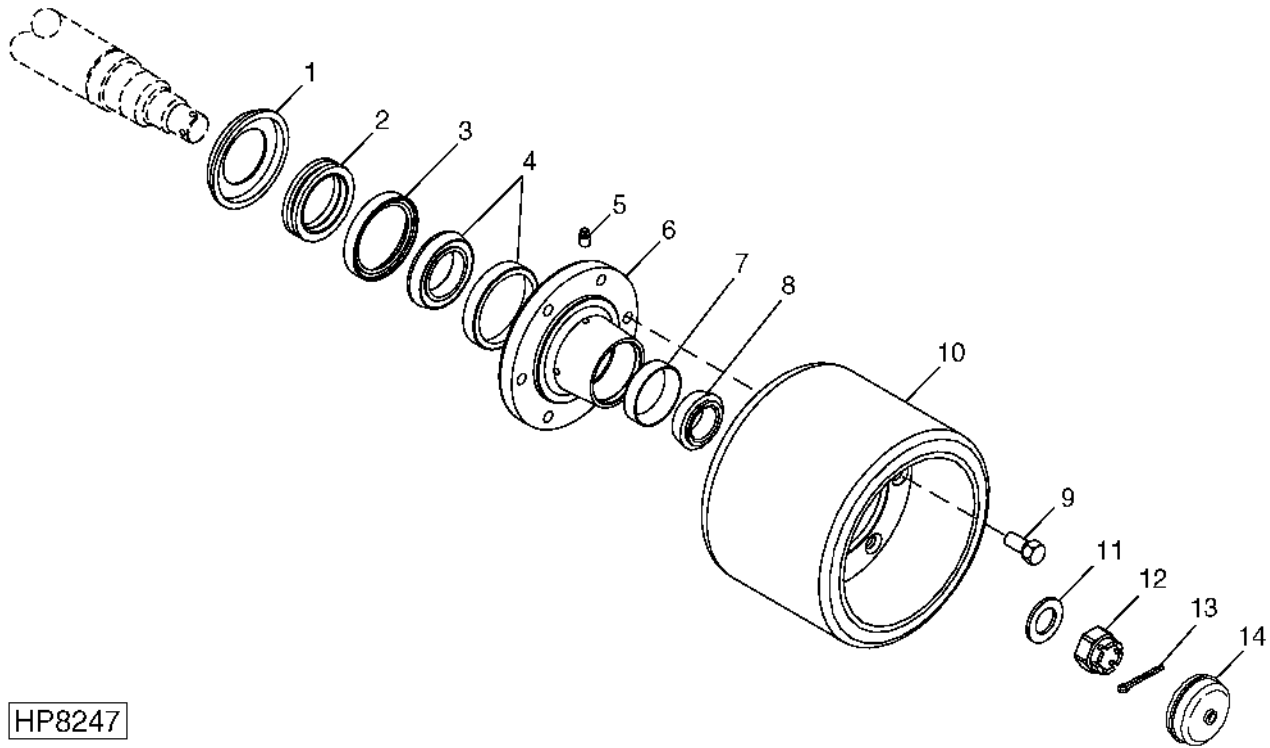
BOGEY WHEEL AXLES - CONTINUED

KEY	PART NO.	PART NAME	QTY	SERIAL NO.	REMARKS
				9 9	
				6 7	
				5 5	
				0 0	
1	JD7759	LUBRICATION FITTING	2	X X	(A)
2	19M8011	CAP SCREW	16	X X	(A) M12 X 30
3	H164001	BEARING CAP	4	X X	(A)
4	H157615	SHIM	AR	X X	(A) 0.50 MM
	H157616	SHIM	AR	X X	(A) 0.25 MM
	H157617	SHIM	AR	X X	(A) 0.13 MM
5	T68818	SEAL	4	X X	(A)
6	H164000	PIN	2	X X	(A)
7	AH165222	SUPPORT	1	X X	
8	T122720	BUSHING	4	X X	(A)
9	34M7254	SPRING PIN	2	X X	(A) 16 X 90 MM
10	H152743	RETAINER	6	X X	0.50 MM
11	AH164228	AXLE KNEE	1	X X	
12	AH164304	SUPPORT	1	X X	
13	H164002	SLEEVE	2	X X	(A) REQUIRES TY15969 MAXIMUM STRENGTH RETAINING COMPOUND FOR INSTALLATION
..	TY15969	ADHESIVE	1	X X	MAXIMUM STRENGTH RETAINING COMPOUND; REQUIRED FOR INSTALLATION OF SLEEVES H164002

4D16

RUBBER TRACK SYSTEM

BOGEY WHEEL ASSEMBLY
HP8247 -UN-14APR99



HP8247

KEY	PART NO.	PART NAME	QTY	SERIAL NO.	REMARKS
				9 9	
				6 7	
				5 5	
				0 0	
1	H152743	RETAINER	1	X X	
2	RE62718	SEAL	1	X X	
3	H152742	RETAINER	1	X X	
4	JD37125	ROLLER BEARING	1	X X	MATCHED SET
5	15H638	PIPE PLUG	2	X X	1/8"
6	H152410	HUB	1	X X	
7	JD9121	BEARING CUP	1	X X	
8	JD9058	BEARING CONE	1	X X	
9	15H254	PIPE PLUG	1	X X	1/4"
10	AH146765	WHEEL	1	X X	
11	24M7230	WASHER	1	X X	39 X 66 X 5 MM
12	14M7419	NUT	1	X X	M36
13	11M7085	COTTER PIN	1	X X	6.300 X 63 MM
14	AH160572	BEARING CAP	1	X X	
15	R35192	WHEEL BOLT	6	X X	

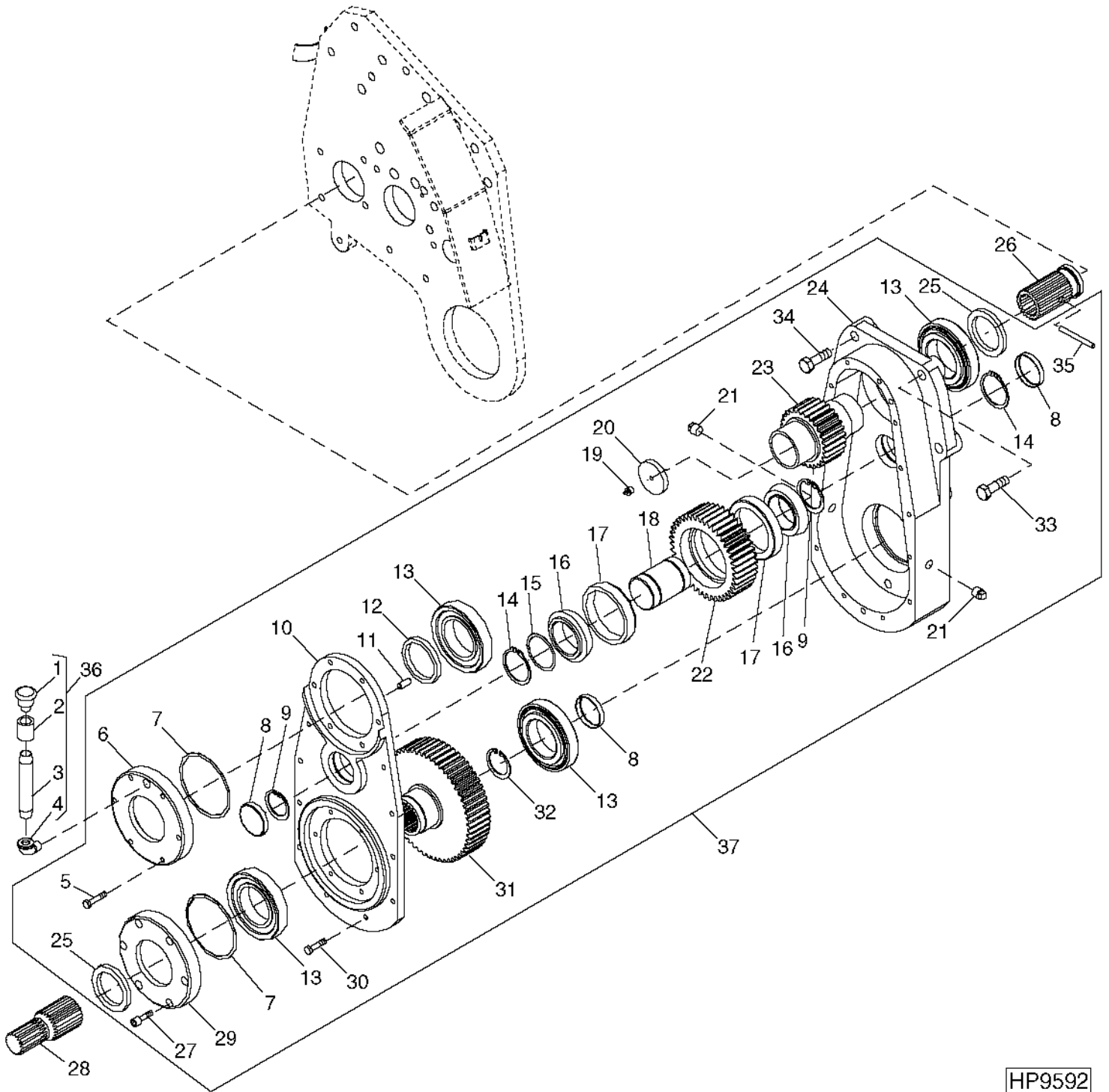
NOTE: QUANTITIES SHOWN FOR ONE ASSEMBLY.

MEMORANDA

4D17

RUBBER TRACK SYSTEM

TRANSFER GEAR CASE
HP9592 -UN-25FEB00



HP9592

4D18

RUBBER TRACK SYSTEM

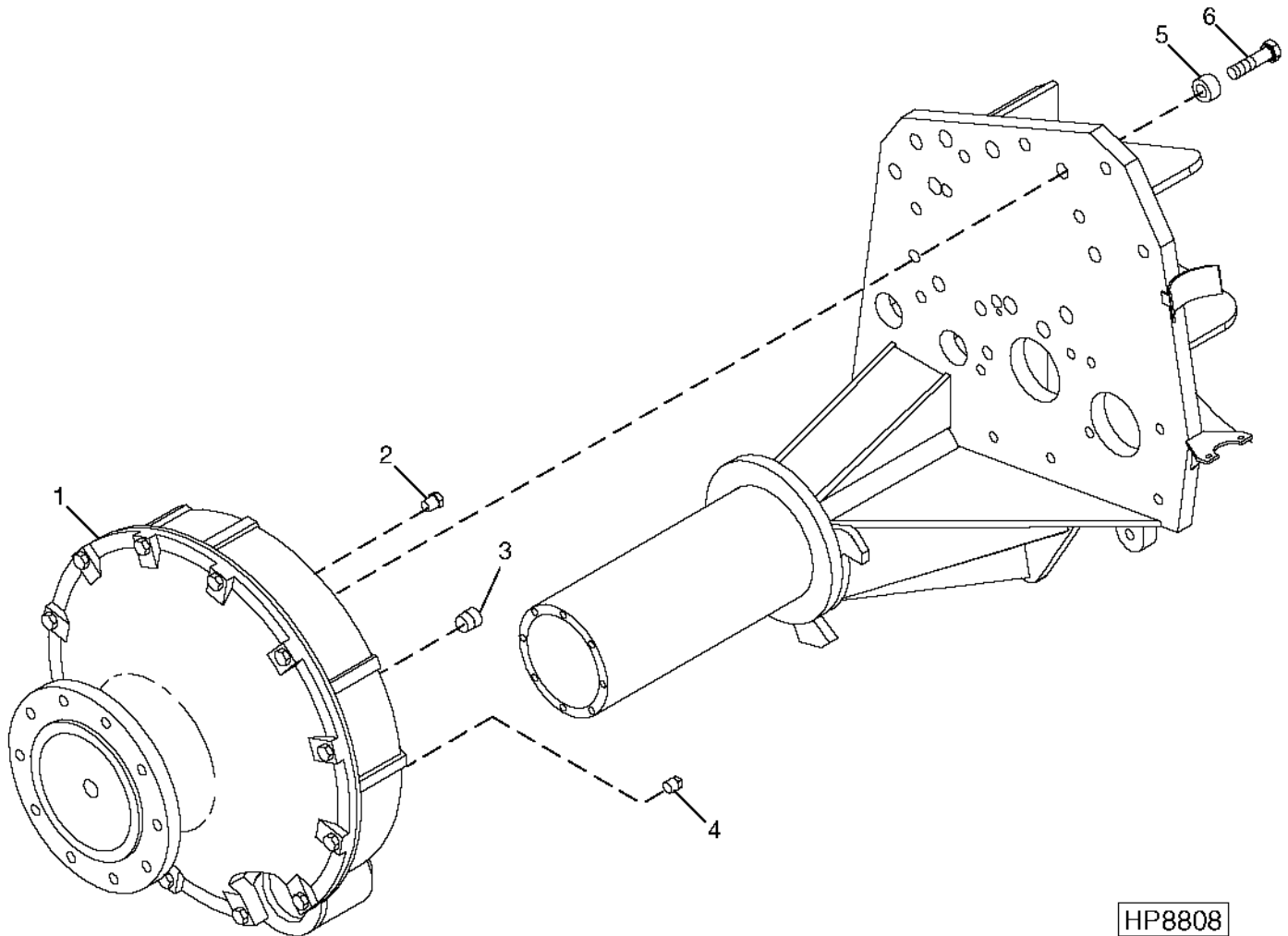
TRANSFER GEAR CASE - CONTINUED

KEY	PART NO.	PART NAME	QTY	SERIAL NO.	REMARKS
				9 9	
				6 7	
				5 5	
				0 0	
1	AH20868	BREATHER	1	X X	
2	15H579	COUPLING	1	X X	3/8"
3	29H217	THREADED NIPPLE	1	X X	1/2"
4	CE17939	ELBOW FITTING	1	X X	
5	19M7981	CAP SCREW	4	X X	M8 X 55
	19M7922	CAP SCREW	2	X X	M8 X 40
6	CE17916	BEARING CAP	1	X X	
7	CE17923	SHIM	AR	X X	.05
	CE17924	SHIM	AR	X X	.01
	CE17925	SHIM	AR	X X	.03
	CE17926	SHIM	AR	X X	.50
8	CE17685	PLUG	3	X X	
9	40M7229	SNAP RING	2	X X	
10	CE17915	CAP	1	X X	
11	R26650	DOWEL PIN	2	X X	
12	DE18750	SEAL	1	X X	
13	JD37125	ROLLER BEARING	4	X X	
14	40M7048	SNAP RING	2	X X	
15	CE16825	SHIM	AR	X X	.20
	CE16623	SHIM	AR	X X	.30
	CE16624	SHIM	AR	X X	.40
	CE16625	SHIM	AR	X X	.50
16	JD7366	BEARING CONE	2	X X	
17	JD8206	BEARING CUP	2	X X	
18	CE17918	JACKSHAFT	1	X X	
19	JD7798	LUBRICATION FITTING	1	X X	
20	CE17922	PLUG	1	X X	
21	15H255	PIPE PLUG	3	X X	3/8"
22	CE17920	SPUR GEAR	1	X X	
23	CE17919	SPUR GEAR	1	X X	
24	CE17914	HOUSING	1	X X	
25	AB4462R	SEAL	2	X X	
26	H151608	SPUR GEAR	1	X X	FOR SINGLE REDUCTION FINAL DRIVE
27	CE17927	CAP SCREW	6	X X	
28	H152256	SPUR GEAR	1	X X	FOR SINGLE REDUCTION FINAL DRIVE
29	CE17917	BEARING CAP	1	X X	
30	19M8008	CAP SCREW	10	X X	M8 X 35
31	CE17921	SPUR GEAR	1	X X	
32	40M7216	SNAP RING	1	X X	
33	19M8306	SCREW	1	X X	M12 X 50, FOR PLANETARY FINAL DRIVE
34	19M7794	SCREW	5	X X	M16 X 50, FOR PLANETARY FINAL DRIVE
35	CE18118	PIN	1	X X	
36	DE19160	BREATHER	1	X X	
37	DE19159	GEAR CASE	1	X X	(SUB FOR DE18748) (ALSO ORDER DE19160, H151608 AND CE17927)

4D19

RUBBER TRACK SYSTEM

FINAL DRIVE MOUNTING
(SINGLE REDUCTION)
HP8808 -UN-08JUL99



HP8808

4D20

RUBBER TRACK SYSTEM

**FINAL DRIVE MOUNTING - CONTINUED
(SINGLE REDUCTION)**

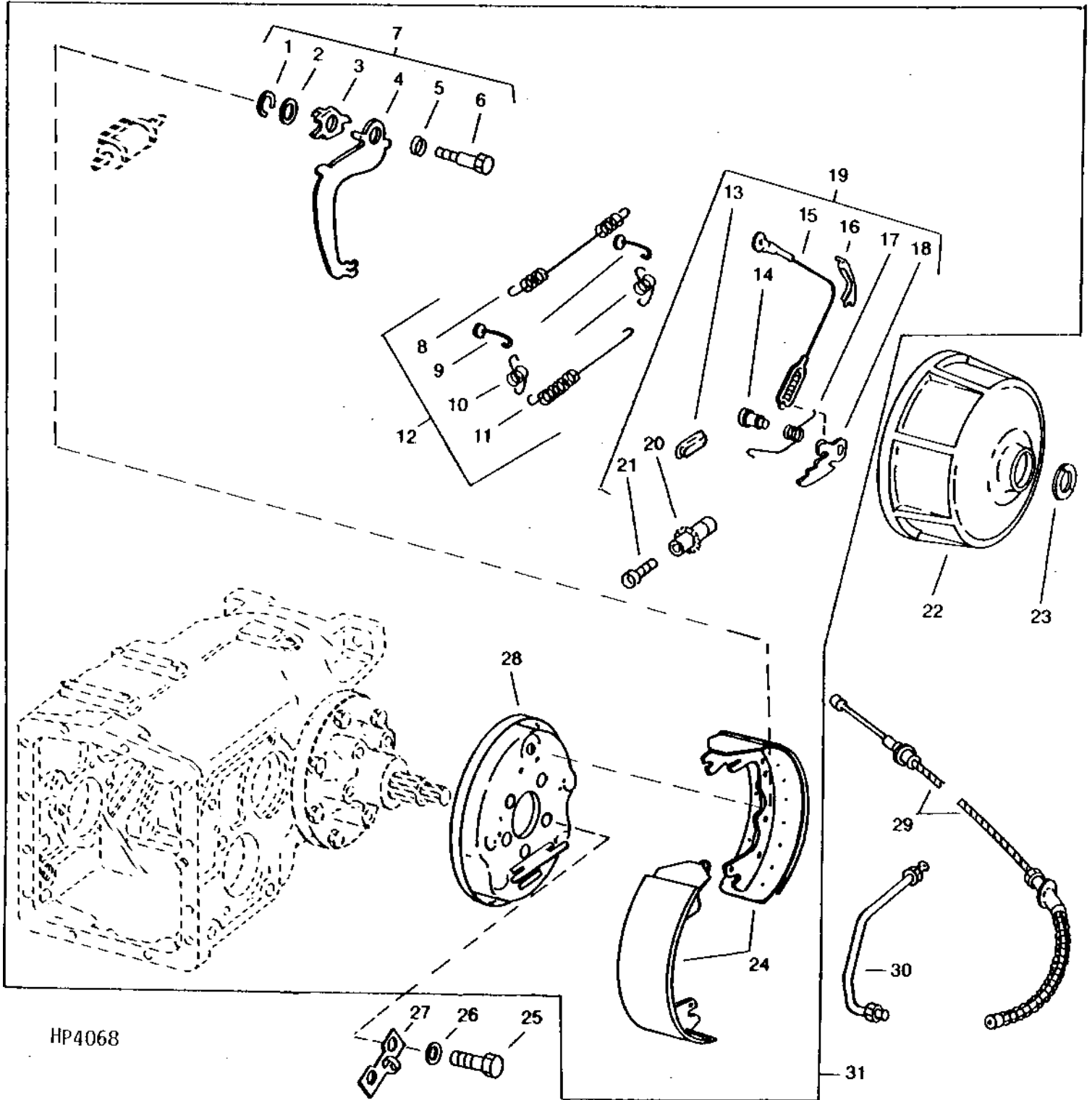
KEY	PART NO.	PART NAME	QTY	SERIAL NO.	9 9 6 7 5 5 0 0	REMARKS
1	AH163028	DRIVE	1		X X	L.H.
	AH163029	DRIVE	1		X X	R.H.
2	AH146183	BREATHER	1		X X	
3	H87691	BUSHING	2		X X	
4	15H561	PIPE PLUG	1		X X	1/2"
5	H156127	SLEEVE	6		X X	
6	19M7892	CAP SCREW	6		X X	M20 X 80

NOTE: REFER TO APPROPRIATE COMBINE PARTS CATALOG FOR INDIVIDUAL REPAIR PARTS.

4D21

RUBBER TRACK SYSTEM

BRAKE SHOES AND DRUM
(L.H. ILLUSTRATED)
HP4068 -UN-01JAN94



HP4068

THIS PARTS LISTING IS CONTINUED

9650 STS AND 9750 STS SELF-PROPELLED COMBINES PC2900

(29-FEB-00)

PN=728

4D22

RUBBER TRACK SYSTEM

**BRAKE SHOES AND DRUM - CONTINUED
(L.H. ILLUSTRATED)**

KEY	PART NO.	PART NAME	QTY	SERIAL NO.	REMARKS
				9 9	
				6 7	
				5 5	
				0 0	
1	SNAP RING	1	X X	
2	WASHER	1	X X	
3	CAM	1	X X	
4	LEVER	1	X X	
5	SPRING	1	X X	
6	BOLT	1	X X	(ANCHOR PIN)
7	AH131058	KIT	1	X X	R.H.
	AH131059	KIT	1	X X	L.H.
8	SPRING	1	X X	(UPPER SHOE-TO-SHOE)
9	H140315	LINK	2	X X	
10	SPRING	2	X X	(LOWER SHOE-TO-SHOE)
11	SPRING	2	X X	(HOLD DOWN)
12	AH131051	KIT	1	X X	
13	COVER	1	X X	(RUBBER)
14	PIN	1	X X	
15	CABLE	1	X X	
16	GUIDE	1	X X	
17	SPRING	1	X X	
18	PAWL	1	X X	(ADJUSTER)
19	AH131054	KIT	1	X X	R.H.
	AH131055	KIT	1	X X	L.H.
20	WHEEL	1	X X	
21	SCREW	1	X X	
22	CE18206	BRAKE DRUM	2	X X	
23	B32564	RING	2	X X	
24	AH143333	BRAKE SHOE	1	X X	R.H. AND L.H. (SET OF 4); FOR USE WITH RUBBER TRACK SYSTEM ONLY
25	19M7597	CAP SCREW	5	X X	M20 X 50
26	N12679	WASHER	5	X X	
27	H133351	GUIDE	2	X X	
28	AH149829	PLATE	1	X X	
29	AH141582	CABLE	1	X X	
30	AH128842	OIL LINE	1	X X	L.H.
	AH128843	OIL LINE	1	X X	R.H.
31	AH134304	BRAKE	1	X X	(A) R.H.
	AH134305	BRAKE	1	X X	(A) L.H.

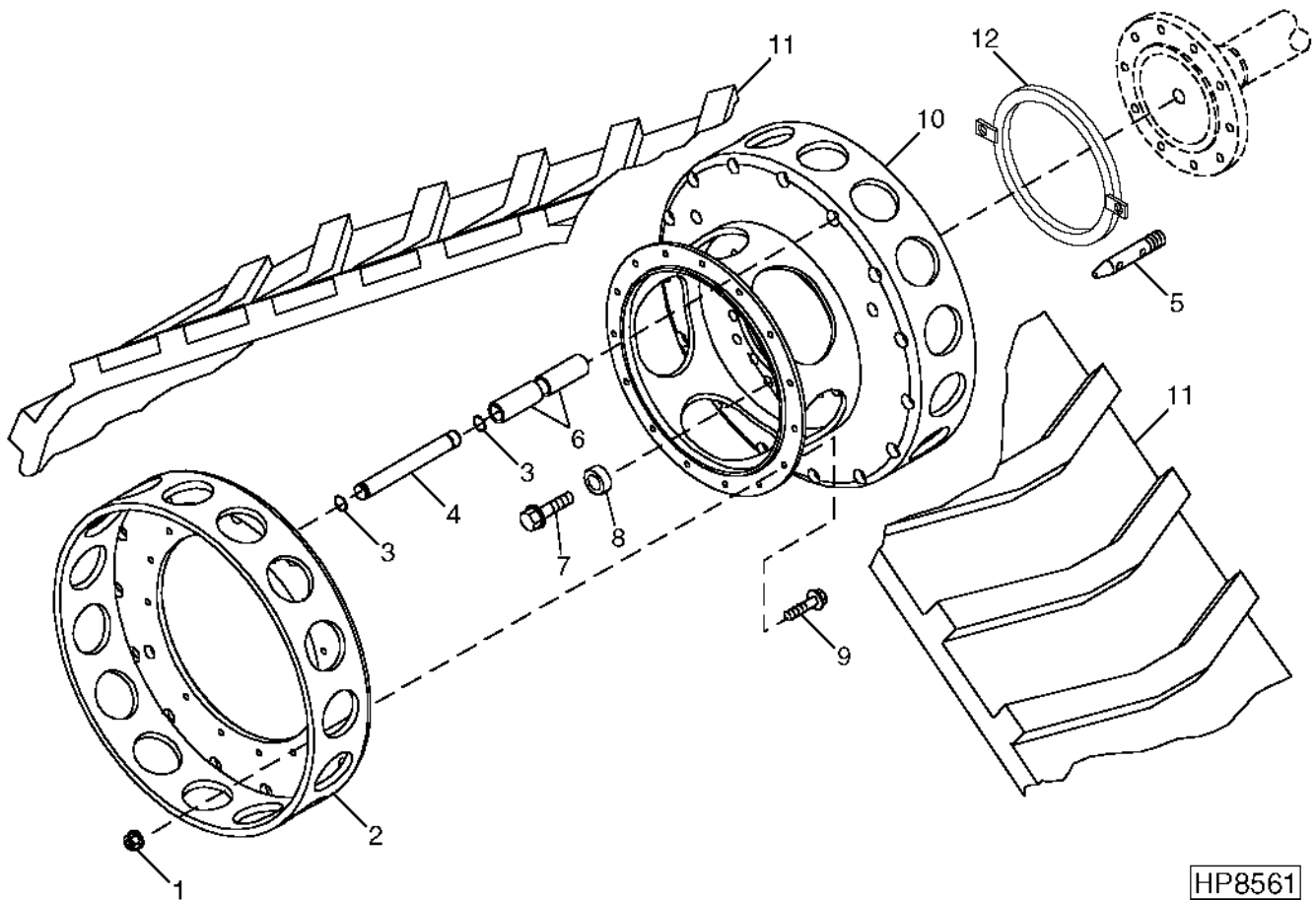
(A) DOES NOT INCLUDE AH143333 BRAKE SHOES REQUIRED FOR TRACK SYSTEM. ORDER SEPARATELY.

NOTE: QUANTITIES SHOWN ARE FOR ONE UNIT. TWO UNITS USED PER MACHINE.

4D23

RUBBER TRACK SYSTEM

DRIVE WHEEL AND BELT
HP8561 -UN-07MAY99



HP8561

4D24

RUBBER TRACK SYSTEM

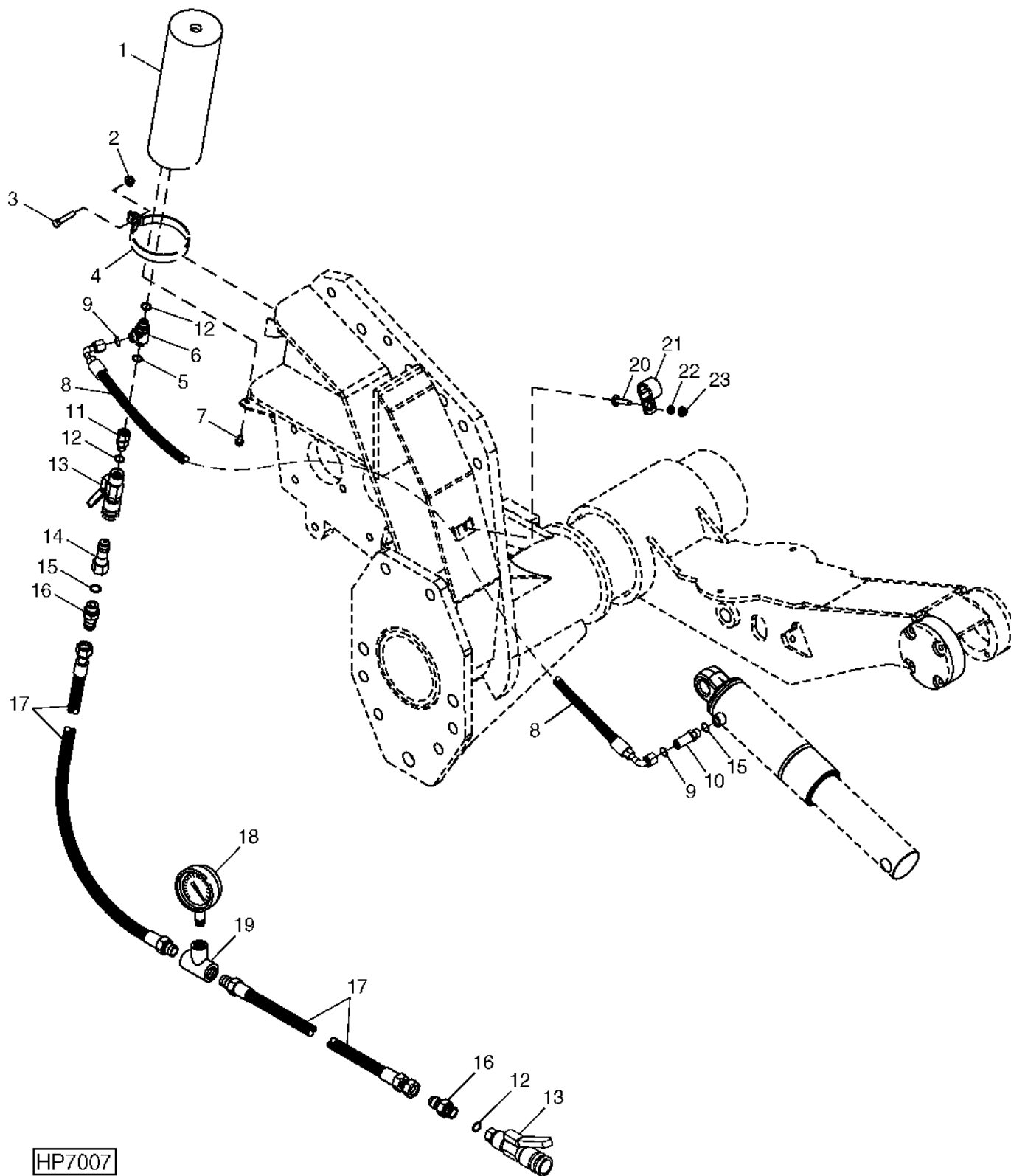
DRIVE WHEEL AND BELT - CONTINUED

KEY	PART NO.	PART NAME	QTY	SERIAL NO.	REMARKS
				9 9	
				6 7	
				5 5	
				0 0	
1	14M7299	FLANGE NUT	15	X X	M12
2	AH150171	WHEEL	1	X X	
3	T30424	O-RING	30	X X	
4	H157716	PIN	15	X X	
5	H138607	STUD	1	X X	(USE FOR WHEEL MOUNTING ONLY)
6	H157718	BUSHING	30	X X	
7	H170072	SCREW	10	X X	
8	H134114	SPACER	10	X X	
9	19M7791	SCREW	15	X X	M12 X 40
10	AH150172	WHEEL	1	X X	
11	BELT	1	X X	NFS; 30" X 276" X 46 PITCH; CONTACT FIRESTONE FOR PART INFORMATION AT 1-800-745-1739
	BELT	1	X X	NFS; 34" X 276" X 46 PITCH; CONTACT FIRESTONE FOR PART INFORMATION AT 1-800-745-1739
12	AH160669	RING	1	X X	

4E1

TENSION CYLINDER HYDRAULICS

HP7007 -UN-10OCT97



HP7007

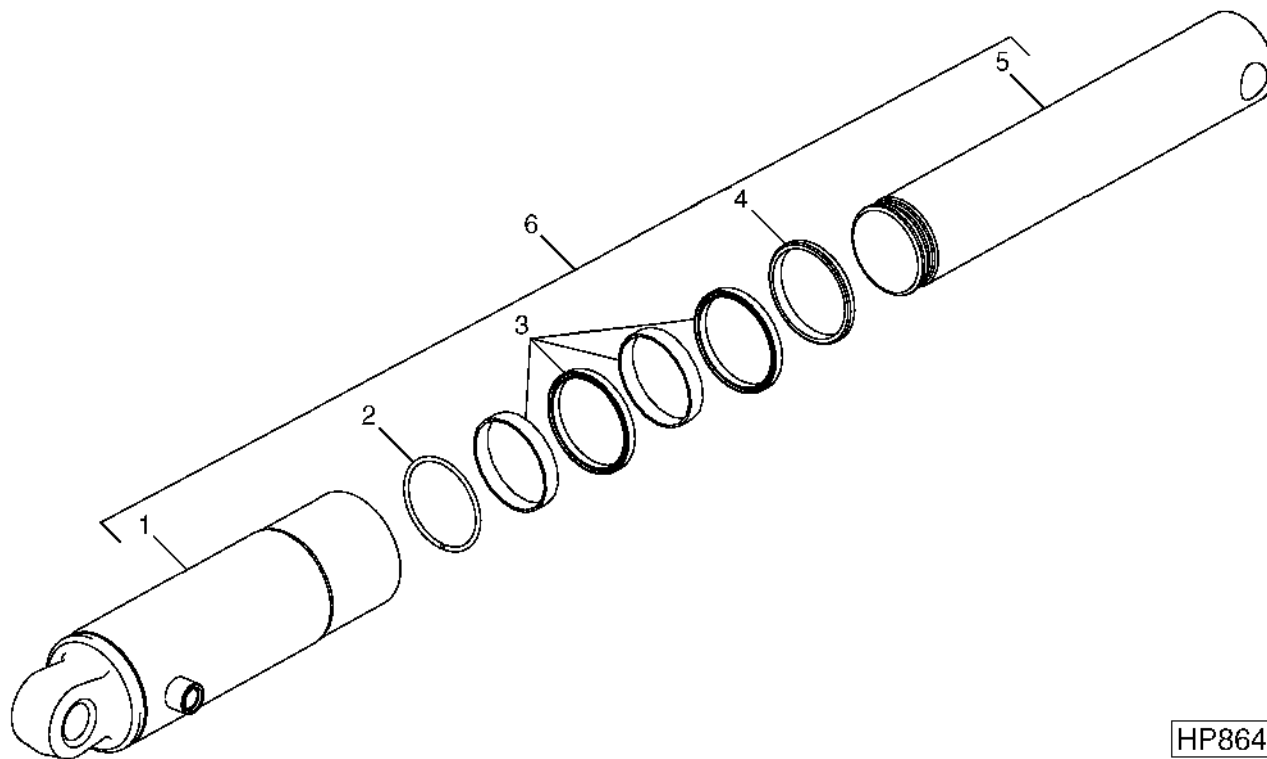
TENSION CYLINDER HYDRAULICS - CONTINUED

KEY	PART NO.	PART NAME	QTY	SERIAL NO.	REMARKS
				9 9	
				6 7	
				5 5	
				0 0	
1	AH133265	ACCUMULATOR	1	X X	
2	14M7296	FLANGE NUT	1	X X	M10
3	19M8162	CAP SCREW	1	X X	M10 X 40
4	R77178	CLAMP	1	X X	
5	T77857	O-RING	1	X X	
6	38H1024	TEE FITTING	1	X X	
7	19M7865	SCREW	2	X X	M8 X 16
8	AT135291	HYDRAULIC HOSE - FABRICATE	1	X X	13/16" X 1 925 MM (75-3/4") X 13/16"
9	T77857	O-RING	2	X X	
10	38H1213	ADAPTER	1	X X	
11	38H1068	ADAPTER	1	X X	
12	R21722	O-RING	2	X X	
13	AH128241	HYD. QUICK-CONNECT COUPLER	2	X X	
14	AR94522	INTERNAL HALF COUPLER	1	X X	
15	R26375	O-RING	2	X X	
16	R36426	FITTING	2	X X	
17	AH112931	HYDRAULIC HOSE	2	X X	9/16" X 2 300 MM (90-1/2") X 1/4"
18	AH108080	PRESSURE GAUGE	1	X X	
19	15H689	TEE FITTING	1	X X	1/4"
20	03M7232	BOLT	1	X X	M6 X 25
21	T72393	CLAMP	1	X X	
22	24M7054	WASHER	1	X X	6.400 X 12 X 1.600 MM
23	14M7303	FLANGE NUT	1	X X	M6

4E3

RUBBER TRACK SYSTEM

TENSION CYLINDER
HP8645 -UN-11JUN99




HP8645

KEY	PART NO.	PART NAME	QTY	SERIAL NO.	REMARKS
				9 9	
				6 7	
				5 5	
				0 0	
1	HYDRAULIC CYLINDER BARREL	1	X X	
2	H145548	SNAP RING	1	X X	
3	AH140063	HYDRAULIC CYLINDER KIT	1	X X	
4	F3450R	O-RING	1	X X	
5	ROD	1	X X	
6	AH149862	HYDRAULIC CYLINDER	1	X X	

MEMORANDA

SAFETY DECALS (R.H. SIDE)
 HP8462 -UN-16APR99

! DANGER



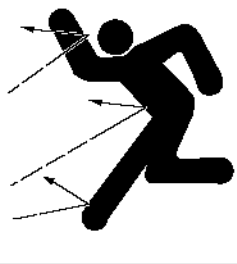
Rest the header on the ground or set the safety stop, located on the feeder house lift cylinder, before getting under header.

! WARNING



Avoid bodily injury from rotating fan and screen components:
 Shut engine off and remove key before opening rotary screen door.

! WARNING



Stay clear while engine is running.

! WARNING

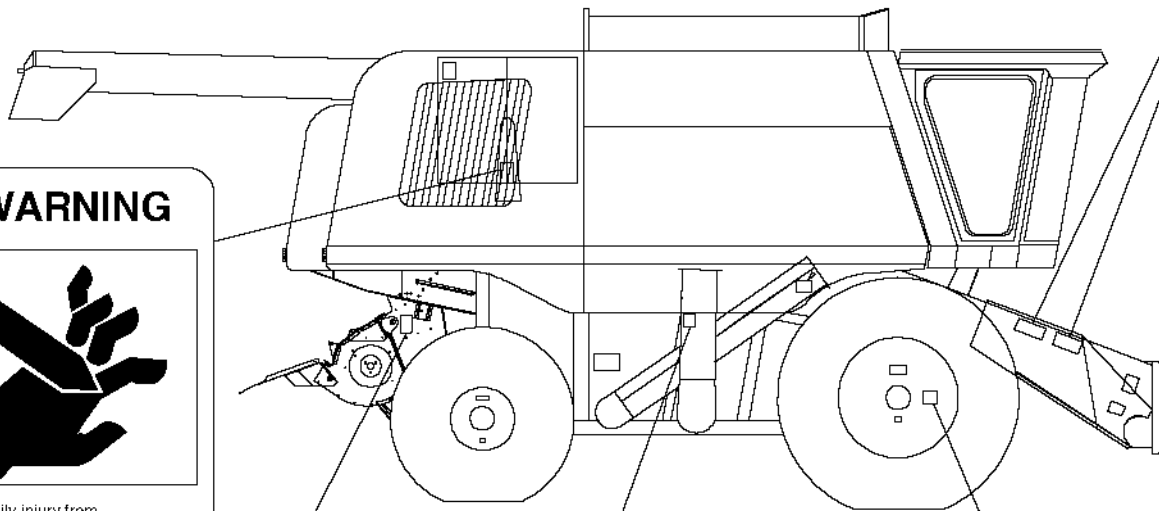


Never raise shield with the engine running. Stop engine and remove key.

! CAUTION

The dual wheels have an offset center of weight. Be careful when removing. Wheels require two people to install or remove.

To avoid bodily injury, special pilot studs are provided from removal and installation. See instructions provided with dual wheels.



HP8462

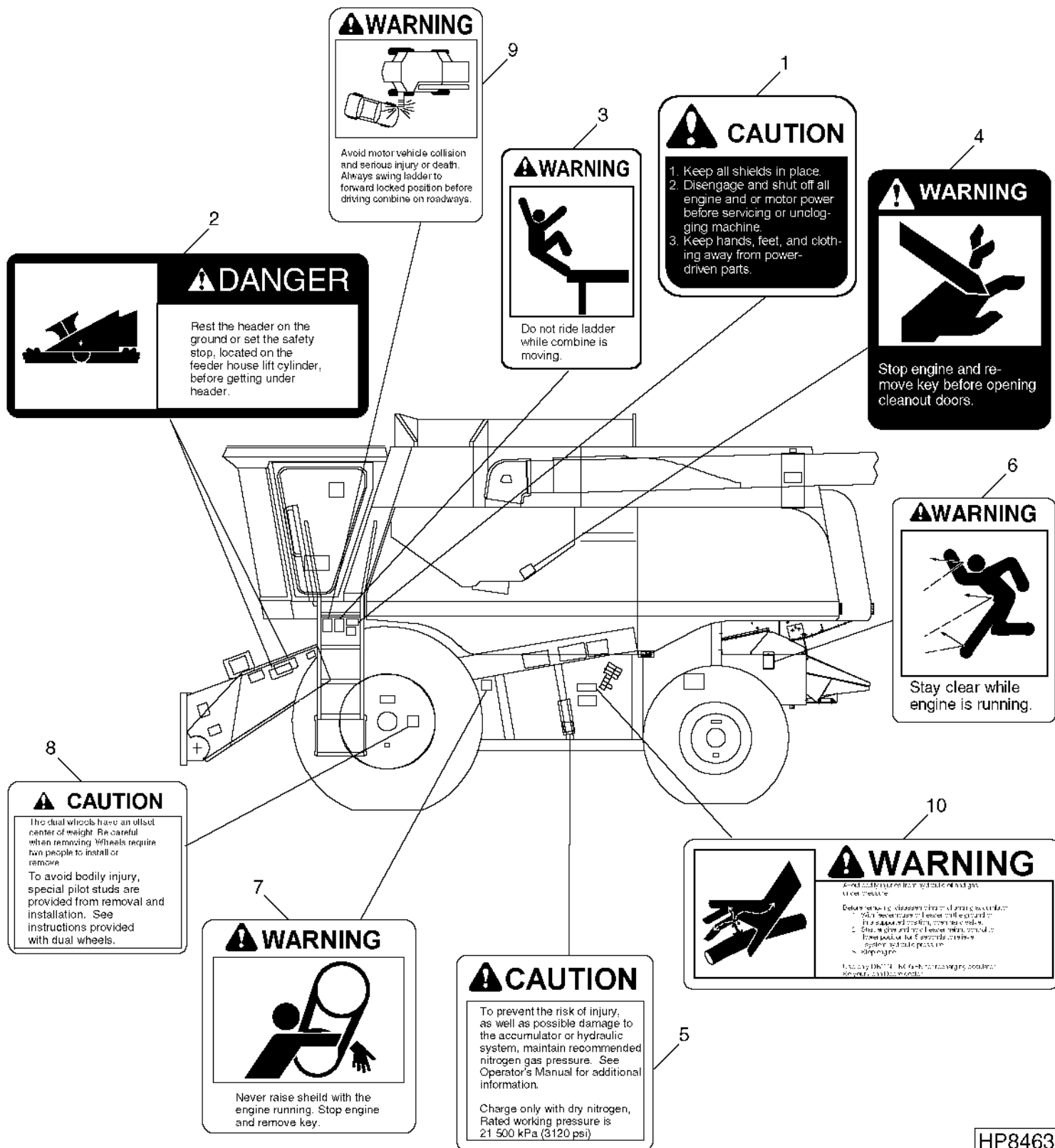
4E6

DECALS

SAFETY DECALS AND LOCATIONS - CONTINUED

KEY	PART NO.	PART NAME	QTY	SERIAL NO.	9 6 5 0	9 7 5 0	REMARKS
1	H149088	DECAL	1		X	X	ROTARY SCREEN
2	H149063	LABEL	2		X	X	HEADER
3	H158975	DECAL	1		X	X	DUAL WHEELS
4	H149099	DECAL	1		X	X	CLEAN GRAIN ELEVATOR
5	H149096	LABEL	1		X	X	PROJECTILE (ONLY W/ STRAW CHOPPER OPT.)

SAFETY DECALS (L.H. SIDE)
 HP8463 -UN-30JUN99



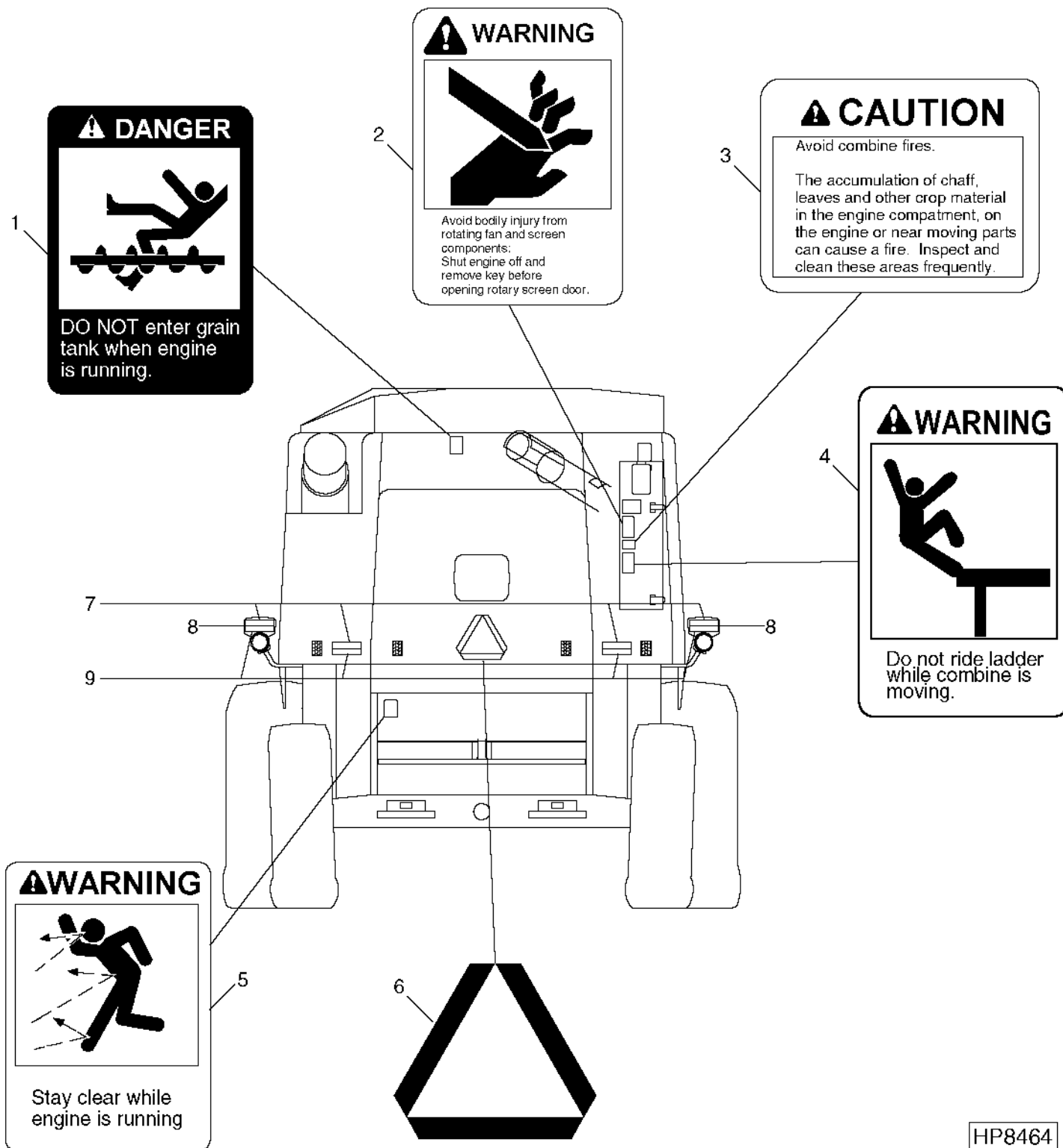
HP8463

SAFETY DECALS AND LOCATIONS - CONTINUED

KEY	PART NO.	PART NAME	QTY	SERIAL NO.	REMARKS
				9 9	
				6 7	
				5 5	
				0 0	
1	E82510	LABEL	1	X X	GENERAL RULES
2	H149063	LABEL	2	X X	HEADER
3	H149064	LABEL	1	X X	LADDER
4	H149066	LABEL	1	X X	CLEANOUT DOOR
5	H149092	LABEL	1	X X	ACCUMULATOR
6	H149096	LABEL	1	X X	PROJECTILE (ONLY W/ STRAW SPREADER OPT.)
7	H149099	DECAL	1	X X	SHIELD REMOVAL
8	H158975	DECAL	1	X X	DUAL WHEELS
9	H170654	SAFETY SIGN	1	X X	LADDER TRANSPORT POSITION
10	H149067	LABEL	1	X X	FLUID INJECTION

SAFETY DECALS AND ROADWAY MARKINGS LOCATIONS

HP8464 -UN-30JUN99



4E10

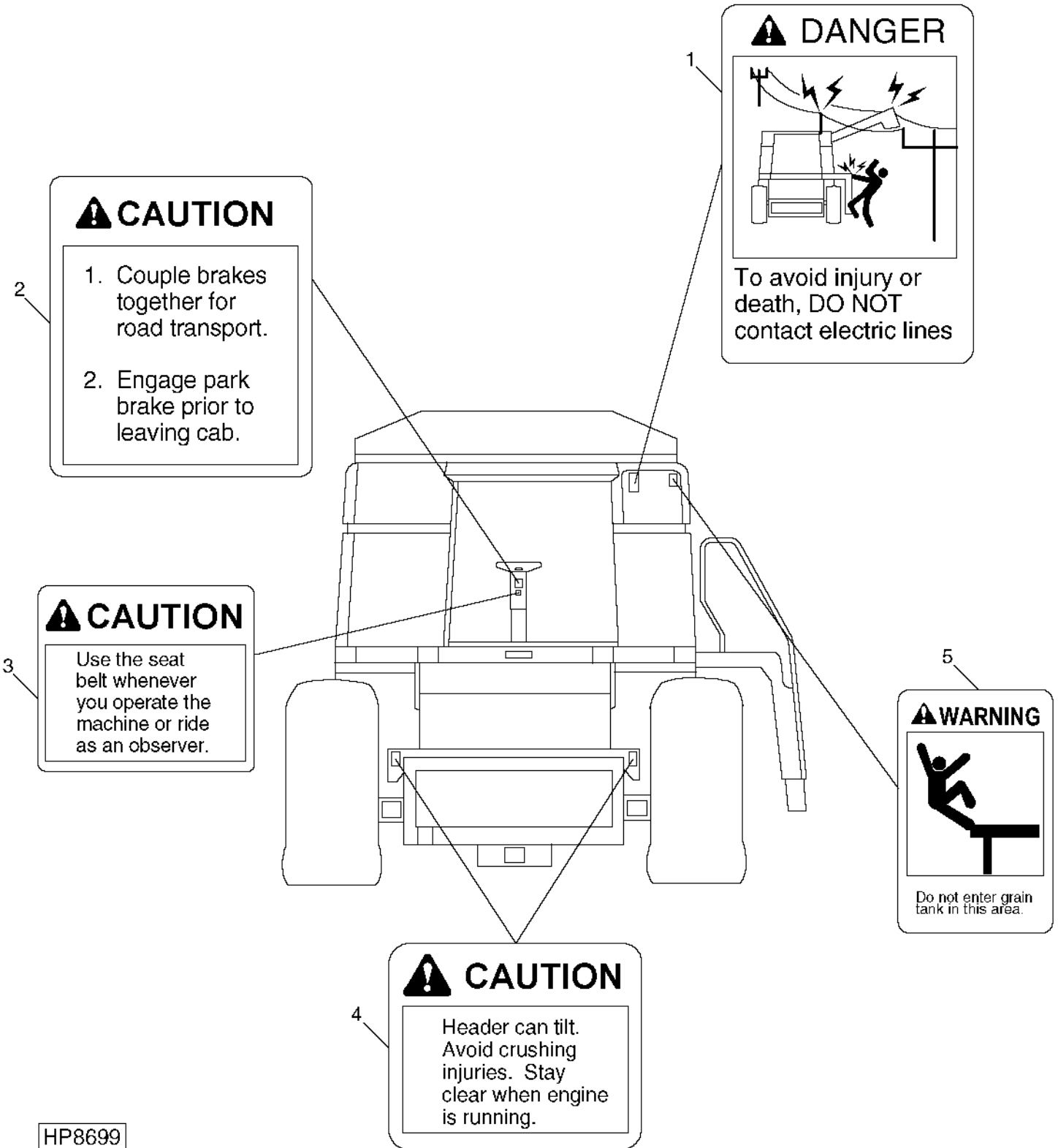
DECALS

SAFETY DECALS AND LOCATIONS - CONTINUED

KEY	PART NO.	PART NAME	QTY	SERIAL NO.	9 6 5 0	REMARKS
1	H149062	DECAL	1		X X	GRAIN TANK
2	H149088	DECAL	1		X X	ROTARY SCREEN
3	H169516	SAFETY SIGN	1		X X	CAUTION (COMBINE FIRES)
4	H149064	LABEL	1		X X	LADDER
5	H149096	LABEL	1		X X	PROJECTILE (ONLY W/ STRAIN CHOPPER OPT.)
6	JD5927	SMV EMBLEM	1		X X	EMBLEM (SLOW MOVING VEHICLE)
7	JD5920	REFLECTOR	4		X X	LABEL REFLECTIVE (RED)
8	JD5921	REFLECTOR	2		X X	LABEL REFLECTIVE (YELLOW) ON FRONT OF PLATE OPPOSITE RED LABEL
9	JD5922	REFLECTOR	4		X X	LABEL REFLECTIVE (ORANGE)

4E11

SAFETY DECALS AND LOCATIONS
HP8699 -UN-30JUN99



HP8699

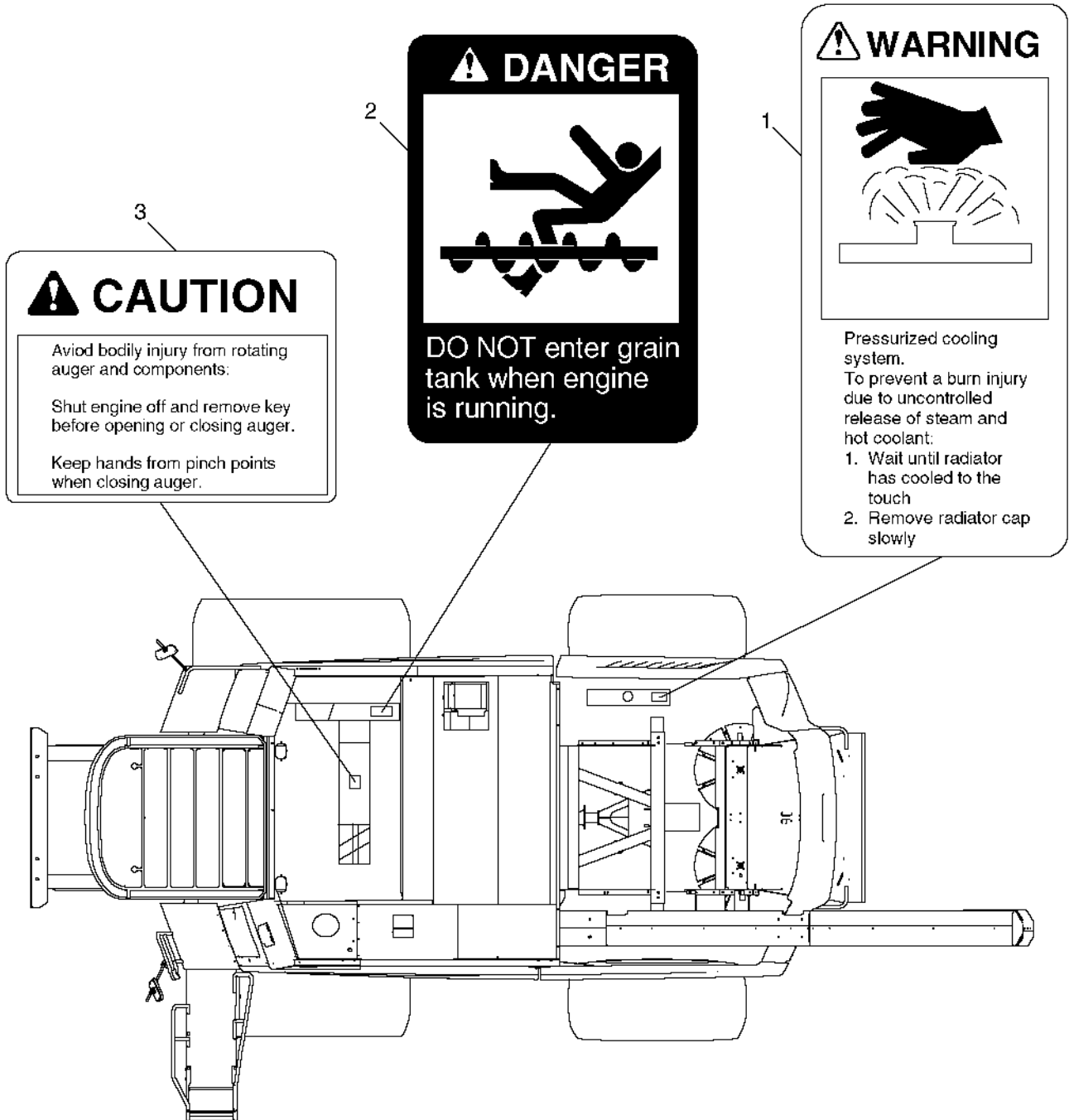
4E12

DECALS

SAFETY DECALS AND LOCATIONS - CONTINUED

KEY	PART NO.	PART NAME	QTY	SERIAL NO.	9 6 5 0	REMARKS
1	H149090	LABEL	1		X X	POWERLINE CONTACT
2	H156390	LABEL	1		X X	BRAKE TRANSPORT INFORMATION
3	H155510	SIGN	1		X X	SEAT BELT
4	H151607	SIGN	4		X X	CAUTION HEADER (CONTOUR MASTER)
5	H149065	LABEL	1		X X	GRAIN TANK

SAFETY DECALS AND LOCATIONS
HP9637 -UN-27MAR00



HP9637

4E14

DECALS

SAFETY DECALS AND LOCATIONS - CONTINUED

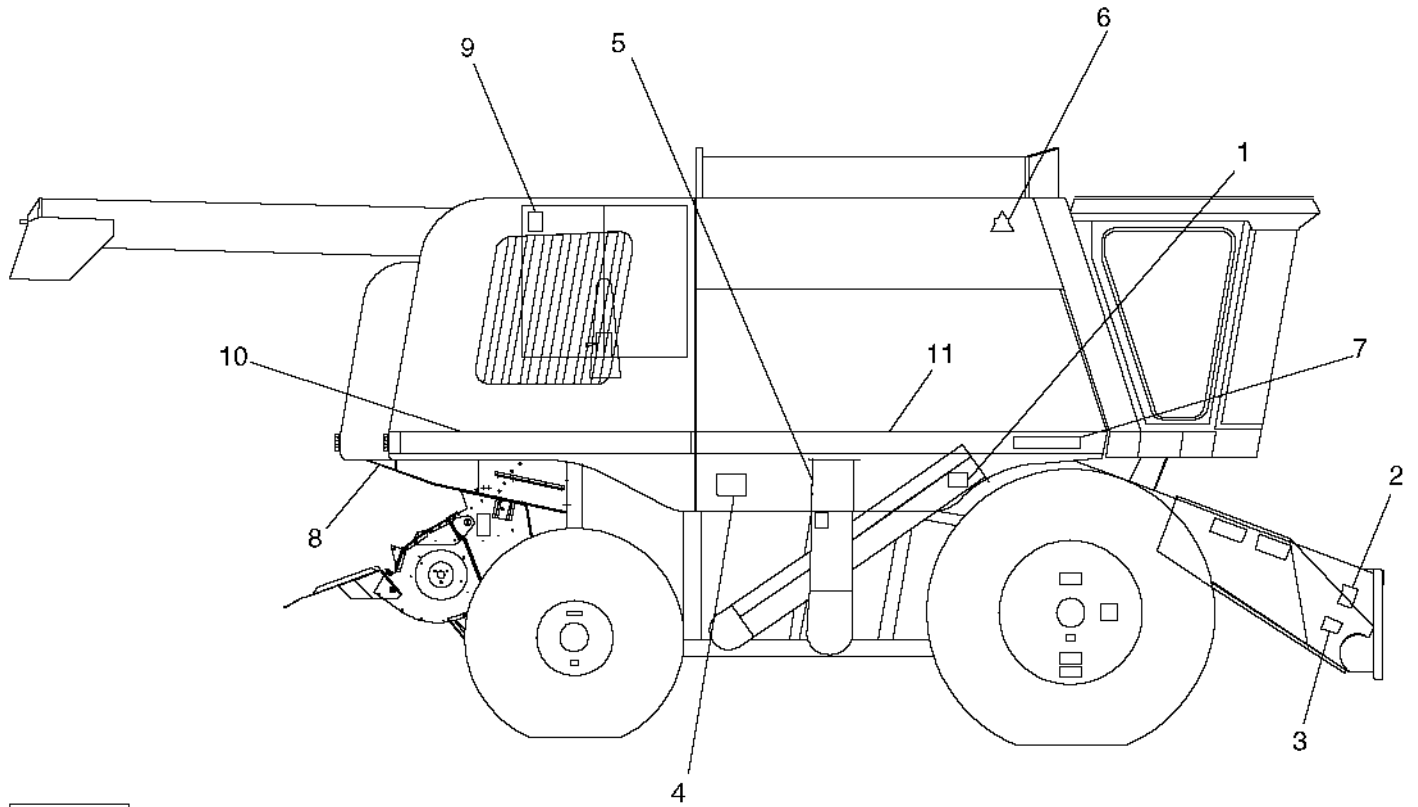
KEY	PART NO.	PART NAME	QTY	SERIAL NO.	REMARKS
1	H169344	DECAL	1		
2	H149062	DECAL	1		
3	H151397	SIGN	1		

9 9
6 7
5 5
0 0

				X X	PRESSURIZED COOLING SYSTEM
				X X	GRAIN TANK
				X X	FOLDING AUGER

4E15

RIGHT-HAND DECALS
HP9254 -UN-10NOV99



HP9254

4E16

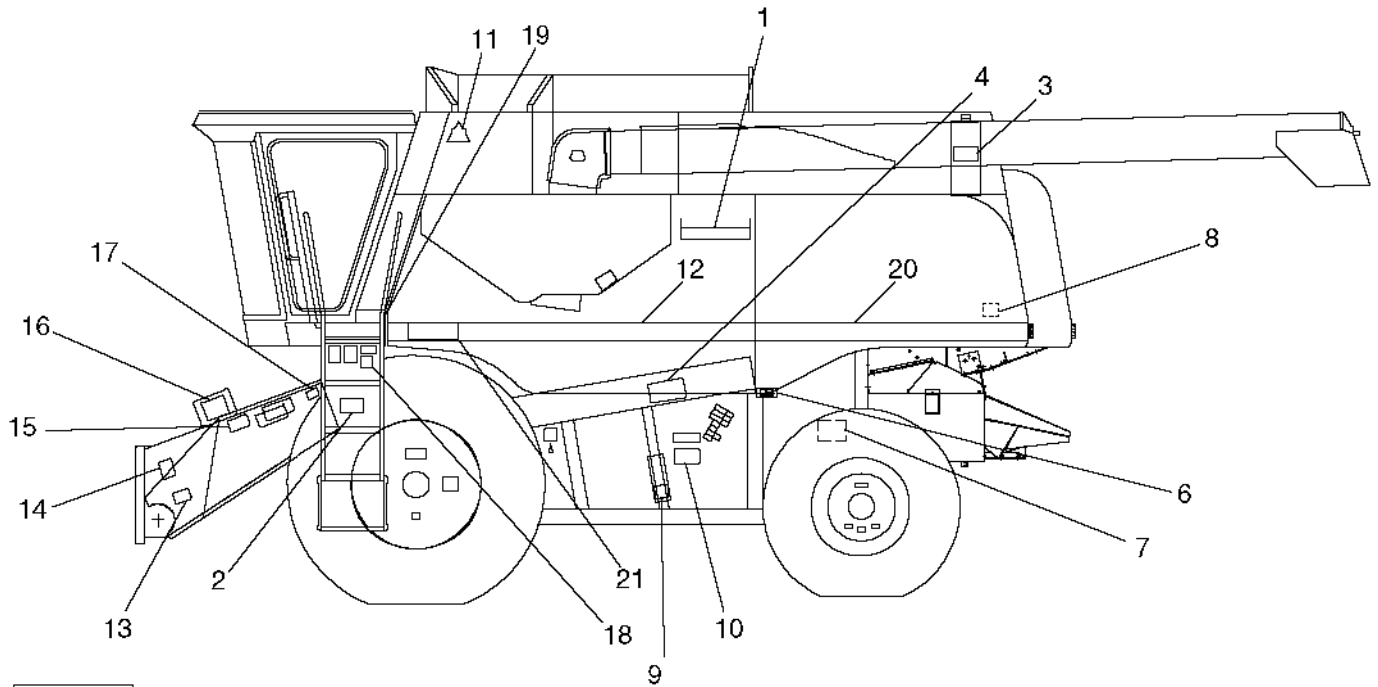
DECALS

RIGHT-HAND DECALS - CONTINUED

KEY	PART NO.	PART NAME	QTY	SERIAL NO.	REMARKS
				9 9	
				6 7	
				5 5	
				0 0	
1	H163398	LABEL	1	X X	CLEANING FAN/SHOE/AUGER DRIVE BELT ROUTING
2	H123351	LABEL	1	X X	FEEDER DRUM HEIGHT ADJUSTMENT
3	H150434	LABEL	1	X X	IMPORTANT (LUBRICATE UNIVERSAL)
4	H173163	LABEL	1	X X	(SUB FOR H167158) LUBRICATION CHART (SINGLE RANGE)
5	H163235	LABEL	1	X X	INSTRUCTION (CLEAN GRAIN ELEVATOR BELT ROUTING DIAGRAM)
6	H163216	LABEL	1	X X	GREENSTAR
7	H168463	LABEL	1	X	"9650 STS"
	H168462	LABEL	1	X	"9750 STS"
8	H167691	LABEL	1	X X	LIGHT SWITCH
9	H144692	LABEL	1	X X	INSTRUCTION (ROTARY SCREEN BELT ROUTING DIAGRAM)
10	H167719	LABEL	1	X X	"JOHN DEERE"
11	H167721	LABEL	1	X X	GULLWING

4E17

LEFT-HAND DECALS
HP9255 -UN-10NOV99



HP9255

4E18

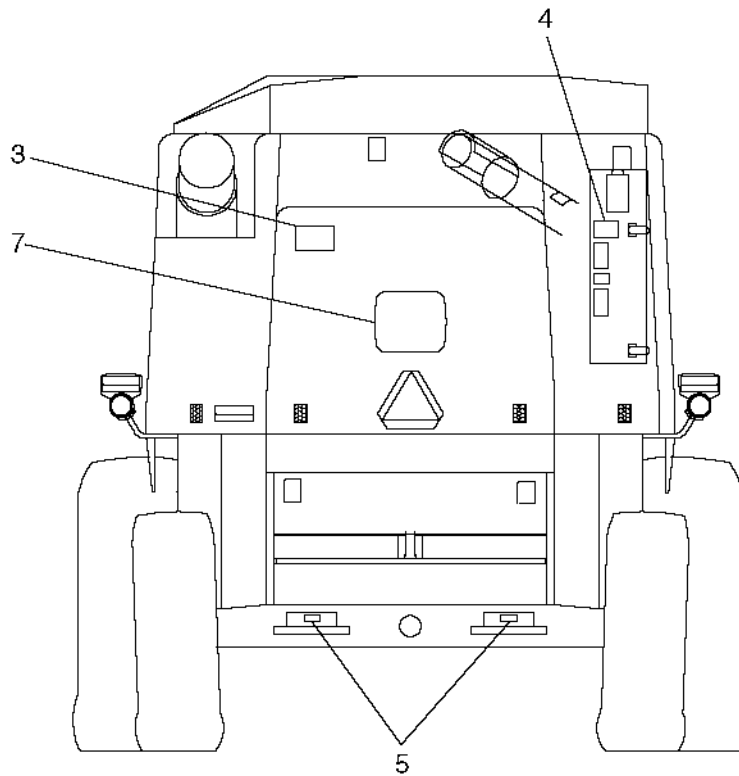
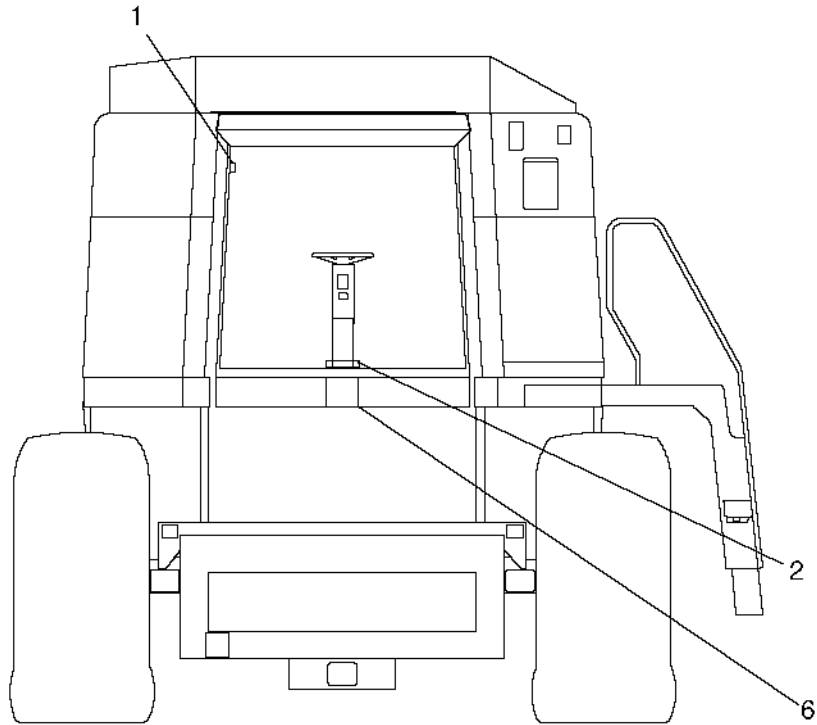
DECALS

LEFT-HAND DECALS - CONTINUED

KEY	PART NO.	PART NAME	QTY	SERIAL NO.	REMARKS
				9 9	
				6 7	
				5 5	
				0 0	
1	H169689	DECAL	1	X X	UNLOADER SYSTEM LUBE
2	H173162	LABEL	1	X X	LEFT HAND LUBE CHART
3	H110923	LABEL	1	X X	IMPORTANT (CHECK HYD. OIL LEVEL)
4	H171311	DECAL	1	X X	INSTRUCTION (VALVE STACK DIAGNOSTICS)
5	H128315	LABEL	1	X X	INSTRUCTION (DIAGNOSTIC PORTS)
6	H165560	LABEL	1	X X	LABEL - LIGHT SWITCH
7	H170133	DECAL	1	X X	LABEL - CLEANING SHOE SETTINGS
8	H171910	LABEL	1	X X	LABEL - CHOPPER BELT STORAGE
9	H149092	LABEL	1	X X	ACCUMULATOR WARNING SIGN
10	H171624	LABEL	1	X X	INSTRUCTION (ACCUMULATOR SETTINGS)
11	H163216	LABEL	1	X X	GREENSTAR
12	H167720	LABEL	1	X X	GULLWING
13	H150434	LABEL	1	X X	IMPORTANT (LUBRICATE UNIVERSAL)
14	H123351	LABEL	1	X X	INSTRUCTION (DRUM ADJUSTMENT)
15	H137939	LABEL	1	X X	IMPORTANT (HARNESS & HOSE STORAGE)
16	H160701	LABEL	1	X X	IMPORTANT (FEEDERHOUSE CHAIN ADJUSTMENT)
17	H158840	LABEL	1	X X	SERVICE (LUBE VARIABLE SPEED DRIVE)
18	H173111	LABEL	1	X X	(SUB FOR H169488 AND H169489) LABEL - TIRE LOADING
19	H150119	LABEL	1	X X	SERVICE (CAB AIR PRECLEANER)
20	H167718	LABEL	1	X X	"JOHN DEERE"
21	H168463	LABEL	1	X X	"9650 STS"

4E19

FRONT AND REAR DECALS
HP8465 -UN-30JUN99



HP8465

4E20

DECALS

FRONT & REAR DECALS - CONTINUED

KEY	PART NO.	PART NAME	QTY	SERIAL NO.	9 9 6 7 5 5 0 0	REMARKS
1	H134535	LABEL	1		X X	INSTRUCTION (EMERGENCY EXIT)
2	H137823	PANEL	1		X X	INSTRUCTION (FEEDERHOUSE REVERSER)
3	H86896	DECAL	1		X X	INSTRUCTIONAL (ETHER CAN)
4	H137201	DECAL	1		X X	IMPORTANT (COOLING PACKAGE CLEANOUT)
5	H170211	SIGN	2		X X	INSTRUCTION (HOSE ADJUSTMENT) (POWERED REAR WHEELS ONLY)
6	H149480	LABEL	1		X X	LEAPING DEERE
7	JD5592	DECAL	1		X X	LEAPING DEERE

CAUTION

To prevent the risk of injury, as well as possible damage to the accumulator or hydraulic system, maintain recommended nitrogen gas pressure. See Operator's Manual for additional information.

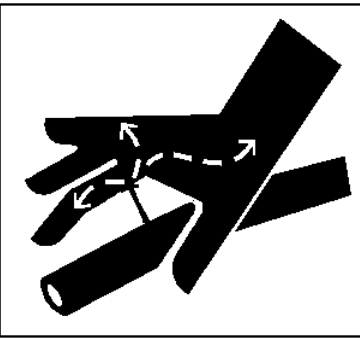
Charge only with dry nitrogen.
Rated working pressure is 21 500 kPa (3120 psi)

WARNING



Avoid crushing injuries.
Do not stand near track when combine is running.

WARNING



Avoid bodily injuries from hydraulic oil and gas under pressure.

Before removing, disassembling or changing accumulator :

1. Release track belt tension by removing pressure with the reel lift hydraulics.
2. Stop engine.

Use only DRY NITROGEN for recharging accumulator.
See your John Deere dealer.

IMPORTANT

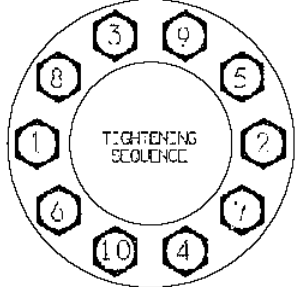
Do not exceed 965 kPa (140psi) air bag pressure.

Check that air bag pressure is set to a minimum of 620 kPa (90 psi) before operating machine. See Operators Manual for proper operating pressure.

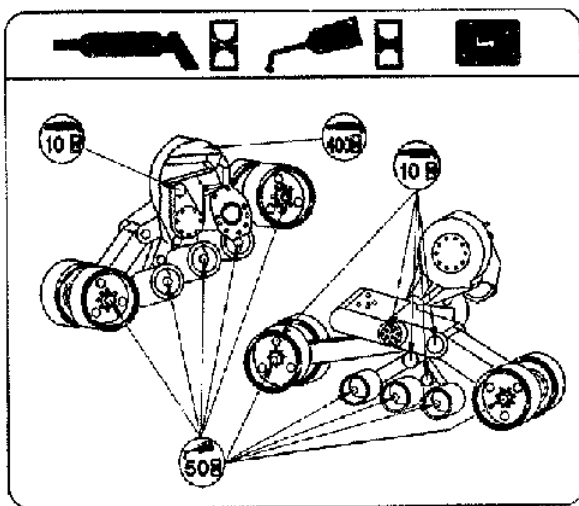
IMPORTANT

Repeat the following procedure on front 20 mm wheel bolts each time wheel is replaced:

1. Snug each wheel bolt.
2. Torque each wheel bolt to 200 Nm (150 lb.-ft.)
3. Turn each wheel bolt clockwise another 90°.



TIGHTENING SEQUENCE



IMPORTANT

Torque all idler and bogey wheel bolts to 400 Nm (300 lb.-ft.)

Retorque after (1) hour of operation. See Operators Manual for bolt tightening sequence.

HP8704

4E22

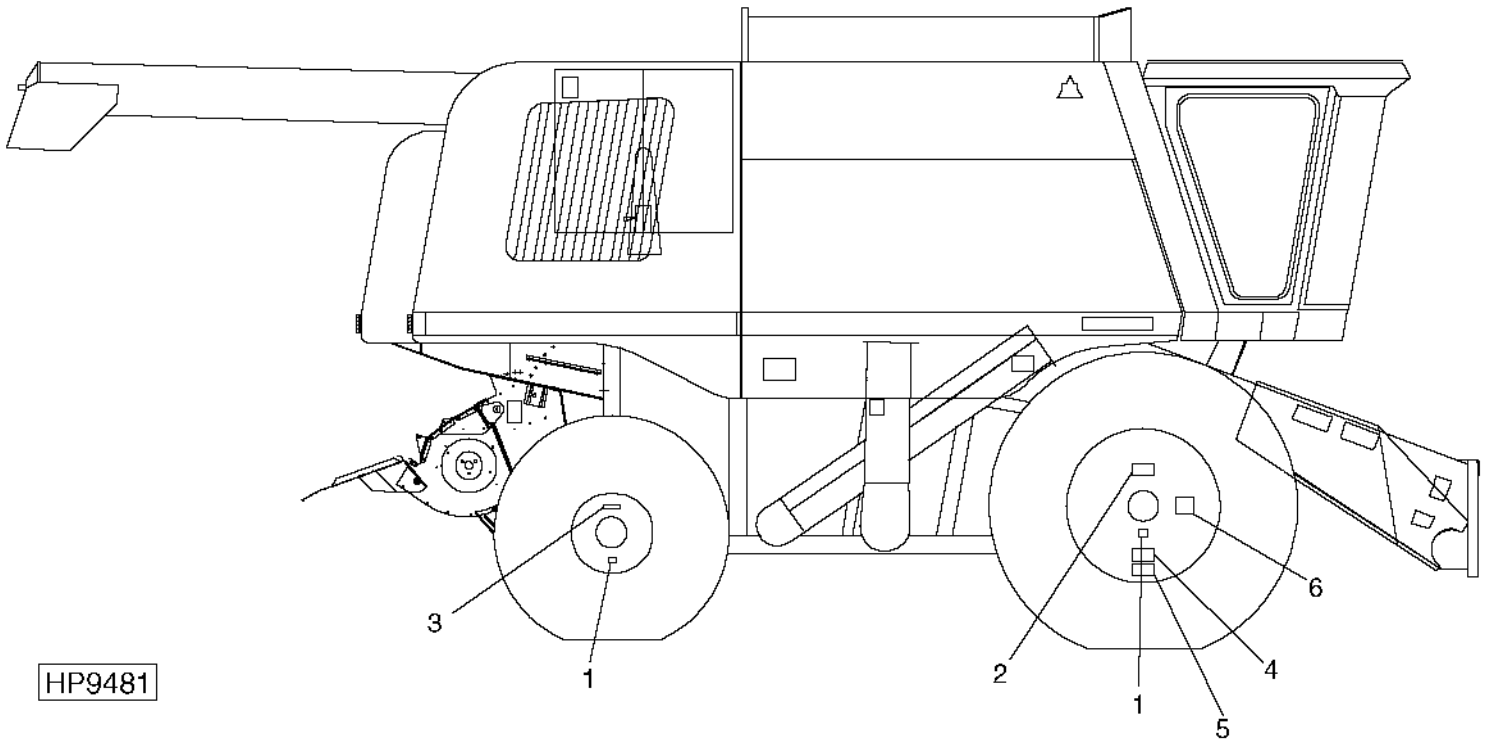
DECALS

RUBBER TRACK SAFETY DECALS AND LABELS - CONTINUED

KEY	PART NO.	PART NAME	QTY	SERIAL NO.	9 9 6 7 5 5 0 0	REMARKS
1	H149092	LABEL	1		X X	"CAUTION" - LOCATED ON ACCUMULATOR
2	H171360	DECAL	1		X X	"WARNING" - LOCATED ON MAIN FRAME PIVOT
3	H171339	LABEL	1		X X	"WARNING" - LOCATED ON ACCUMULATOR
4	H171383	LABEL	1		X X	AIR BAG PRESSURE
5	H134442	LABEL	1		X X	BOLT TORQUE (DRIVE WHEEL)
6	H170982	LABEL	2		X X	BOLT TORQUE (IDLER AND BOGEY WHEEL)
7	H171325	LABEL	1		X X	LUBE LABEL (LOCATED ON MAIN FRAME PIVOT)

4E23

FRONT AND REAR TIRE/WHEEL DECALS
HP9481 -UN-07JAN00



HP9481

FRONT AND REAR TIRE/WHEEL DECALS - CONTINUED

KEY	PART NO.	PART NAME	QTY	SERIAL NO.	REMARKS
				9 9	
				6 7	
				5 5	
				0 0	
1	H150646	DECAL	2	X X	IMPORTANT (TIRE PRESSURE 15 PSI)
	H108604	LABEL	2	X X	IMPORTANT (TIRE PRESSURE 20 PSI)
	H108605	LABEL	2	X X	IMPORTANT (TIRE PRESSURE 24 PSI)(FRONT)
	H140709	LABEL	2	X X	IMPORTANT (TIRE PRESSURE 26 PSI)(REAR)
	H116639	DECAL	2	X	IMPORTANT (TIRE PRESSURE 28 PSI)(FRONT)
	H111538	LABEL	2	X X	IMPORTANT (TIRE PRESSURE 30 PSI)
	H140710	LABEL	2	X X	IMPORTANT (TIRE PRESSURE 34 PSI)(FRONT)
	H140711	LABEL	2	X X	IMPORTANT (TIRE PRESSURE 36 PSI)(REAR)
	H111541	LABEL	2	X X	IMPORTANT (TIRE PRESSURE 40 PSI)(FRONT)
	H145627	DECAL	2	X X	IMPORTANT (TIRE PRESSURE 42 PSI)(REAR)
2	H134442	LABEL	2	X X	IMPORTANT (WHEEL BOLT TORQUE)
	H139603	LABEL	2	X X	IMPORTANT (WHEEL BOLT TORQUE)
3	H145995	LABEL	2	X X	IMPORTANT (REAR WHEEL BOLT TORQUE)
4	H153728	LABEL	2	X X	AXLE STOP AND TIRE CLEARANCE
5	H174266	LABEL	2	X X	(SUB FOR H151575) TIRE CLEARANCE
6	H158975	DECAL	2	X X	DUAL WHEELS

FRENCH CANADIAN DECALS AND LABELS

KEY	PART NO.	PART NAME	QTY	SERIAL NO.	REMARKS
				9 9	
				6 7	
				5 5	
				0 0	
..	H170105	LABEL	1	X X	(SAFETY) PRESSURE COOLING SYSTEM
..	H173824	LABEL	1	X X	BRAKE
..	E82575	LABEL	1	X X	(CAUTION)
..	H134620	LABEL	1	X X	EXIT
..	H149076	DECAL	2	X X	(DANGER) GRAIN TANK
..	H149077	DECAL	4	X X	(DANGER) HEADER
..	H149075	LABEL	2	X X	(WARNING) FRONT ENTRY
..	H149074	LABEL	2	X X	(WARNING) FRONT ENTRY
..	H149078	LABEL	1	X X	(DANGER) AUGER
..	H149079	LABEL	1	X X	(WARNING) ACCUMULATOR
..	H149089	SIGN	2	X X	(WARNING) ROTARY SCREEN FAN
..	H149091	LABEL	1	X X	(DANGER) POWER LINE
..	H149098	LABEL	1	X X	(CAUTION) ACCUMULATOR
..	H149097	LABEL	5	X X	(WARNING) PROJECTILE
..	H149100	LABEL	2	X X	(WARNING)
..	H170117	LABEL	1	X X	(CAUTION) FOLDING AUGER
..	H169283	LABEL	1	X X	(CAUTION) SEAT BELT
..	H170115	LABEL	1	X X	(CAUTION)
..	H173702	LABEL	1	X X	(WARNING)
..	H140768	LABEL	2	X X	TIRE PRESSURE (46 PSI)
..	H127073	LABEL	2	X X	TIRE PRESSURE (40 PSI)
..	H140751	LABEL	2	X X	TIRE PRESSURE (36 PSI)
..	H140750	LABEL	2	X X	TIRE PRESSURE (34 PSI)
..	H127075	LABEL	2	X X	TIRE PRESSURE (32 PSI)
..	H127070	LABEL	2	X X	TIRE PRESSURE (30 PSI)
..	H127074	LABEL	2	X X	TIRE PRESSURE (28 PSI)
..	H140749	LABEL	2	X X	TIRE PRESSURE (26 PSI)
..	H127068	LABEL	2	X X	TIRE PRESSURE (24 PSI)
..	H127067	LABEL	2	X X	TIRE PRESSURE (20 PSI)
..	H135141	LABEL	4	X X	WHEEL BOLT TORQUE
..	H145996	LABEL	2	X X	REAR WHEEL BOLT TORQUE
..	H129094	LABEL	2	X X	FEEDERHOUSE DRUM HEIGHT ADJUSTMENT
..	H129099	LABEL	1	X X	DIAGNOSTIC LOCATIONS
..	H173849	LABEL	1	X X	HYDRAULIC DIAGNOSTICS
..	H127078	LABEL	1	X X	HYDRAULIC RESERVIOR
..	H174086	LABEL	1	X X	ACCUMULATOR ADJUSTMENT
..	H173336	LABEL	1	X X	TIRE LOADING
..	H160795	LABEL	1	X X	FEEDERHOUSE CHAIN ADJUSTMENT
..	H137940	LABEL	1	X X	HARNESS AND HOSE STORAGE
..	H136583	LABEL	2	X X	RECIRCULATING FILTER TRAY
..	H135167	LABEL	1	X X	FILTER DOOR
..	H137364	DECAL	1	X X	COOLING PACKAGE CLEANOUT
..	H95273	DECAL	1	X X	(INSTRUCTION)
..	H173880	LABEL	1	X X	CLEANING SHOE
..	H149103	DECAL	3	X X	(WARNING) CHOPPER POSITION
..	H173883	LABEL	2	X X	CHOPPER BELT STORAGE
..	H173885	LABEL	2	X X	(CAUTION) DUAL WHEELS
..	H173908	LABEL	4	X X	(CAUTION) HEADER TILT
..	H143632	PANEL	1	X X	LIGHT PANEL

4F1

DECALS

PORTUGESE DECALS AND LABELS

KEY	PART NO.	PART NAME	QTY	SERIAL NO.	REMARKS
				9 9	
				6 7	
				5 5	
				0 0	
..	H152240	MEDALLION	1	X X	RADIATOR
..	H165170	LABEL	1	X X	(CAUTION)
..	H161209	LABEL	1	X X	EXIT
..	H151671	LABEL	4	X X	REEL LIFT
..	H152243	MEDALLION	1	X X	HYDRAULIC
..	H161208	LABEL	1	X X	(CAUTION) BRAKES
..	H152239	MEDALLION	1	X X	ELECTRIC SHOCK
..	H165174	LABEL	1	X X	(CAUTION) ACCUMULATOR
..	H154128	LABEL	5	X X	LATERAL TILT
..	H165175	LABEL	1	X X	(CAUTION) SEAT BELT
..	H173574	LABEL	1	X X	(CAUTION)
..	H174284	LABEL	1	X X	(WARNING)
..	H165179	LABEL	1	X X	ROTARY SCREEN DRIVE
..	H165180	LABEL	2	X X	TIRE PRESSURE (26 PSI)
..	H170800	LABEL	2	X X	TIRE PRESSURE (24 PSI)
..	H170799	LABEL	4	X X	TIRE PRESSURE (15 PSI)
..	H165181	LABEL	4	X X	WHEEL BOLT TORQUE
..	H165182	LABEL	2	X X	REAR WHEEL BOLT TORQUE
..	H165183	LABEL	2	X X	FEEDERHOUSE DRUM ADJUSTMENT
..	H165184	LABEL	1	X X	DIAGNOSTIC PORTS
..	H173597	LABEL	1	X X	HYDRAULIC DIAGNOSTICS
..	H165186	LABEL	1	X X	HYDRAULIC RESERVIOR
..	H165188	LABEL	1	X X	ACCUMULATOR
..	H173337	LABEL	1	X X	TIRE LOADING
..	H173630	LABEL	1	X X	TIRE CLEARANCE
..	H165190	LABEL	1	X X	FEEDERHOUSE ADJUSTMENT
..	H165191	LABEL	1	X X	HARNESS AND HOSE STORAGE
..	H165285	LABEL	2	X X	LUBE
..	H165192	LABEL	2	X X	RECIRCULATING FILTER TRAY
..	H165193	LABEL	1	X X	FILTER DOOR
..	H165570	LABEL	1	X X	CLOSE DOOR FILTER
..	H165571	LABEL	1	X X	PRECLEANER FILTER CHECK
..	H173875	LABEL	1	X X	CLEANING SHOE
..	H173884	LABEL	1	X X	CHOPPER BELT POSITION
..	H165284	DECAL	1	X X	STARTING AID
..	H165199	DECAL	1	X X	COOLING PACKAGE CLEANOUT
..	Z60327	LABEL	2	X X	GRAIN TANK ENTANGLEMENT
..	L64995	LABEL	3	X X	LANDING LADDER
..	Z60326	LABEL	2	X X	BELT ENTANGLEMENT
..	Z60329	LABEL	5	X X	STRAW CHOPPER DISCHARGE
..	AH167853	KIT	1	X X	PORTUGESE DECALS

4F2

DECALS

ROMANIAN DECALS AND LABELS

KEY	PART NO.	PART NAME	QTY	SERIAL NO.	REMARKS
				9 9	
				6 7	
				5 5	
				0 0	
..	H161206	BRACKET	1	X X	(CAUTION) BRAKES
..	H161209	LABEL	1	X X	EXIT
..	H171079	SIGN	1	X X	(CAUTION) SEAT BELT
..	H151671	LABEL	4	X X	REEL LIFT
..	H152239	MEDALLION	1	X X	ELECTRIC SHOCK
..	H152240	MEDALLION	1	X X	RADIATOR
..	H152243	MEDALLION	1	X X	HYDRAULIC
..	H154128	LABEL	1	X X	LATERAL TILT
..	H158840	LABEL	1	X X	FEEDERHOUSE VARIABLE SPEED DRIVE
..	H165560	LABEL	1	X X	LIGHT SWITCH
..	H167691	LABEL	1	X X	ENGINE LIGHT
..	H171081	SIGN	1	X X	(WARNING) ACCUMULATOR
..	H171082	LABEL	1	X X	(CAUTION)
..	H174284	LABEL	1	X X	(WARNING)
..	Z60332	LABEL	7	X X	HAND ENTANGLEMENT
..	H169689	DECAL	1	X X	UNLOADER SYSTEM LUBE
..	H173162	LABEL	1	X X	L.H. LUBE CHART
..	H173163	LABEL	1	X X	R.H. LUBE CHART

4F3

DECALS

RUSSIAN DECALS AND LABELS

KEY	PART NO.	PART NAME	QTY	SERIAL NO.	REMARKS
				9 9	
				6 7	
				5 5	
				0 0	
..	H157916	SIGN	1	X X	(CAUTION) SEAT BELT
..	H158044	LABEL	1	X X	FILTER DOOR
..	H158046	DECAL	1	X X	FILTER SERVICE
..	H158048	LABEL	2	X X	RECIRCULATING FILTER TRAY
..	H158053	LABEL	1	X X	FILTER DOOR
..	H161208	LABEL	1	X X	(CAUTION) BRAKES
..	H161209	LABEL	1	X X	EXIT
..	H137823	PANEL	1	X X	FEEDERHOUSE REVERSER
..	H151671	LABEL	4	X X	REEL LIFT
..	H152238	MEDALLION	1	X X	CYLINDER SPRING
..	H152239	MEDALLION	1	X X	ELECTRIC SHOCK
..	H152240	MEDALLION	1	X X	RADIATOR
..	H152243	MEDALLION	1	X X	HYDRAULIC
..	H154128	LABEL	1	X X	LATERAL TILT
..	H157293	LABEL	1	X X	DIAGNOSTIC LOCATION
..	H157313	LABEL	1	X X	(CAUTION)
..	H157321	LABEL	2	X X	TIRE PRESSURE (26 PSI)
..	H157323	LABEL	2	X X	REAR WHEEL BOLT TORQUE
..	H157327	LABEL	1	X X	ROTARY SCREEN DRIVE
..	H157333	DECAL	1	X X	COOLING PACKAGE CLEANOUT
..	H157335	LABEL	1	X X	HARNESS AND HOSE STORAGE
..	H157341	LABEL	4	X X	WHEEL BOLT TORQUE
..	H157345	LABEL	2	X X	FEEDERHOUSE DRUM HIEGHT ADJUSTMENT
..	H157347	LABEL	1	X X	UNLOADING
..	H157985	SIGN	1	X X	(WARNING) ACCUMULATOR
..	H158011	DECAL	1	X X	(INSTRUCTION)
..	H158840	LABEL	1	X X	FEEDERHOUSE VARIABLE SPEED DRIVE
..	H160269	LABEL	4	X X	TIRE PRESSURE (32 PSI)
..	H160270	LABEL	2	X X	TIRE PRESSURE (20 PSI)
..	H160448	LABEL	2	X X	TIRE CLEARANCE
..	H160797	LABEL	1	X X	FEEDERHOUSE CHAIN ADJUSTMENT
..	H165560	LABEL	1	X X	LIGHT SWITCH
..	H167446	INSTRUCTION PLATE	2	X X	LATERAL TILT FEEDERHOUSE LUBE
..	H167691	LABEL	1	X X	ENGINE LIGHT
..	H169689	DECAL	1	X X	UNLOADER SYSTEM LUBE
..	H173162	LABEL	1	X X	L.H. LUBE CHART
..	H173334	LABEL	1	X X	TIRE LOADING
..	H174284	LABEL	1	X X	(WARNING)
..	Z60332	LABEL	7	X X	HAND ENTANGLEMENT
..	H173699	LABEL	1	X X	(WARNING)
..	H173847	LABEL	1	X X	HYDRAULIC DIAGNOSTICS
..	H173878	LABEL	1	X X	CLEANING SHOE SITTINGS
..	H173881	LABEL	2	X X	CHOPPER BELT POSITION
..	H174084	LABEL	1	X X	ACCUMULATOR ADJUSTMENT
..	H173163	LABEL	1	X X	R.H. LUBE CHART
..	H173697	LABEL	1	X X	(CAUTION) FIRES

4F4

DECALS

SPANISH DECALS AND LABELS

KEY	PART NO.	PART NAME	QTY	SERIAL NO.	REMARKS
				9 9	
				6 7	
				5 5	
				0 0	
..	H173075	LABEL	1	X X	(CAUTION) BRAKES
..	H156224	LABEL	1	X X	EXIT
..	H156226	SIGN	1	X X	(DANGER) POWER LINE
..	H159348	SIGN	1	X X	(CAUTION) SEAT BELT
..	H173072	LABEL	4	X X	WHEEL BOLT TORQUE
..	H173071	LABEL	2	X X	REAR WHEEL BOLT TORQUE
..	H173088	DECAL	2	X X	FEEDERHOUSE DRUM HIEGHT ADJUSTMENT
..	H173102	LABEL	2	X X	TIRE CLEARANCE
..	H173103	LABEL	2	X X	AXLE STOP AND TIRE CLEARANCE
..	H159349	SIGN	2	X X	DUAL WHEELS
..	H156223	SIGN	4	X X	
..	H173087	LABEL	2	X X	LATERAL TILT FEEDERHOUSE
..	H173090	LABEL	1	X X	HARNESS AND HOSE STORAGE
..	H173094	LABEL	1	X X	FEEDERHOUSE ADJUSTMENT
..	H173106	SERIAL NUMBER PLATE	1	X X	LADDER TRANSPORT POSITION
..	H159347	SIGN	4	X X	(CAUTION) HEADER TILT
..	H173101	LABEL	1	X X	TIRE LOADING
..	H156231	LABEL	1	X X	(CAUTION)
..	H173096	DECAL	1	X X	FILTER SERVICE
..	H173083	DECAL	1	X X	HYDRAULIC DIAGNOSTICS
..	H173078	DECAL	1	X X	CLEANING SHOE SETTINGS
..	H156230	SIGN	2	X X	(WARNING)
..	H156229	SIGN	1	X X	(WARNING) ACCUMULATOR
..	H173093	DECAL	1	X X	ACCUMULATOR ADJUSTMENT
..	H173082	LABEL	1	X X	DIAGNOSTIC PORTS
..	H173081	LABEL	1	X X	HYDRAULIC RESERVIOR
..	H156228	SIGN	1	X X	(WARNING) ACCUMULATOR
..	H156222	SIGN	1	X X	(DANGER) AUGER
..	H156234	SIGN	2	X X	FAN AND ROTARY SCREEN
..	H173084	DECAL	1	X X	(INSTRUCTION)
..	H173099	DECAL	1	X X	COOLING PACKAGE CLEANOUT
..	H170116	SAFETY SIGN	1	X X	(CAUTION)
..	H173104	DECAL	1	X X	POWER HOSE ADJUSTMENT
..	H156232	SIGN	2	X X	(WARNING) LADDER
..	H156225	SIGN	2	X X	(DANGER) GRAIN TANK
..	H170118	SIGN	1	X X	(CAUTION) FOLDING AUGER
..	H156221	SIGN	3	X X	(WARNING) PROJECTILE
..	H170106	DECAL	1	X X	(SAFETY) PRESSURE COOLING SYSTEM
..	H173089	LABEL	1	X X	CHOPPER BELT STORAGE
..	H156227	SIGN	1	X X	(WARNING) FRONT ENTRY
..	AH167572	KIT	1	X X	SPANISH DECALS
..	H174357	LABEL	2	X X	AXLE STOP

4F5

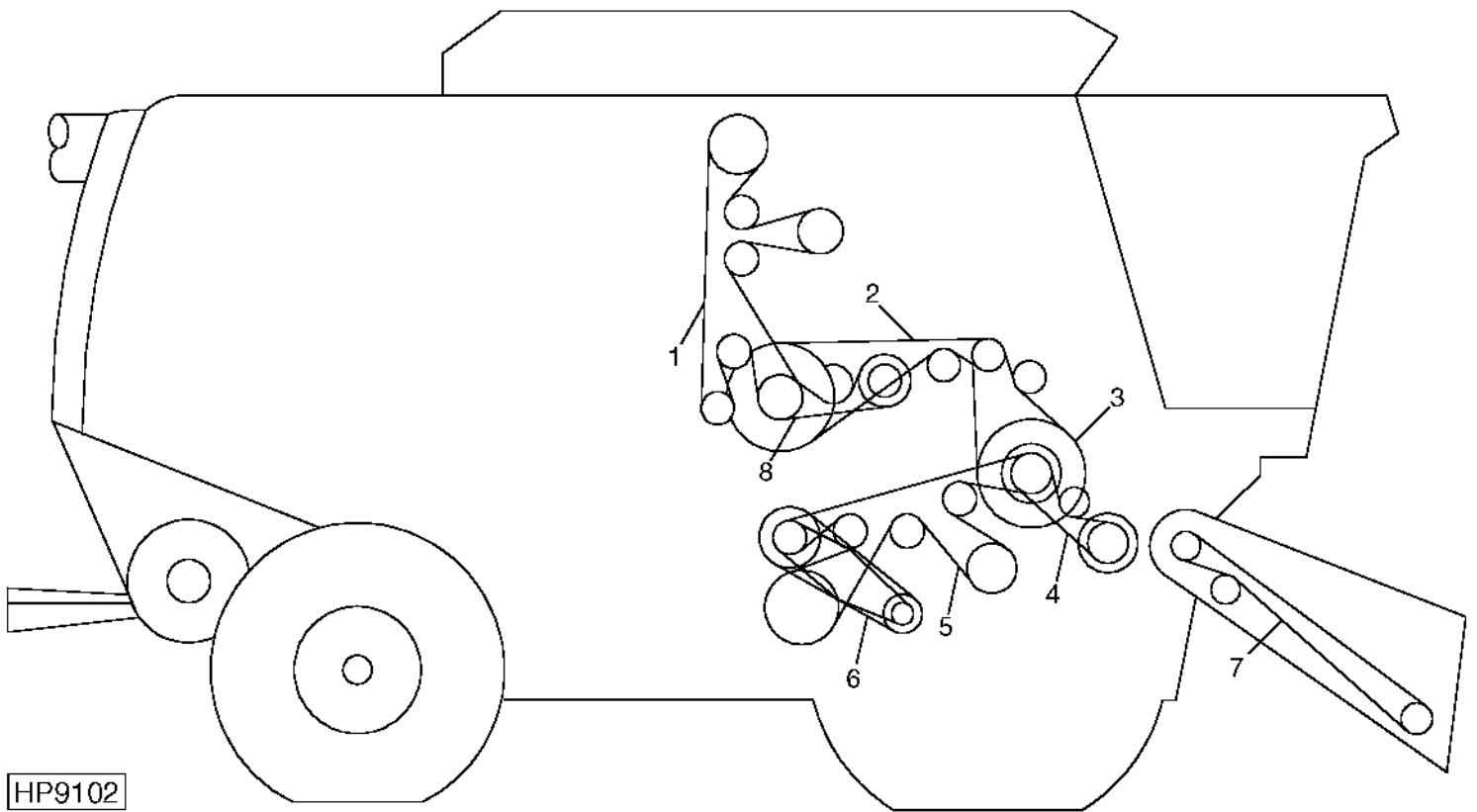
DECALS

UKRAINIAN DECALS AND LABELS

KEY	PART NO.	PART NAME	QTY	SERIAL NO.	REMARKS
				9 9	
				6 7	
				5 5	
				0 0	
..	H157915	SIGN	1	X X	(CAUTION) SEAT BELT
..	H158043	LABEL	1	X X	FILTER DOOR
..	H158045	DECAL	1	X X	FILTER SERVICE
..	H158047	LABEL	2	X X	RECIRCULATING FILTER TRAY
..	H158052	LABEL	1	X X	FILTER DOOR
..	H161208	LABEL	1	X X	(CAUTION) BRAKES
..	H161209	LABEL	1	X X	EXIT
..	H137823	PANEL	1	X X	FEEDERHOUSE REVERSER
..	H151671	LABEL	4	X X	REEL LIFT
..	H152239	MEDALLION	1	X X	ELECTRIC SHOCK
..	H152240	MEDALLION	1	X X	RADIATOR
..	H152243	MEDALLION	1	X X	HYDRAULIC
..	H154128	LABEL	5	X X	LATERAL TILT
..	H157292	LABEL	1	X X	DIAGNOSTIC PORTS
..	H157312	LABEL	1	X X	(CAUTION)
..	H157320	LABEL	4	X X	TIRE PRESSURE
..	H157322	LABEL	2	X X	REAR WHEEL BOLT TORQUE
..	H157326	LABEL	1	X X	ROTARY SCREEN DRIVE
..	H157332	DECAL	1	X X	COOLING PACKAGE CLEANOUT
..	H157334	LABEL	1	X X	HARNES AND HOSE STORAGE
..	H157340	LABEL	4	X X	WHEEL BOLT TORQUE
..	H157344	LABEL	2	X X	FEEDERHOUSE DRUM HIEGHT ADJUSTMENT
..	H157348	LABEL	1	X X	HYDRAULIC RESERVIOR
..	H157984	SIGN	1	X X	(WARNING) ACCUMULATOR
..	H158010	DECAL	1	X X	(INSTRUCTION)
..	H158840	LABEL	1	X X	FEEDERHOUSE VARIABLE SPEED DRIVE
..	H160796	LABEL	1	X X	FEEDERHOUSE CHAIN ADJUSTMENT
..	H167447	INSTRUCTION PLATE	2	X X	LATERAL TILT FEEDERHOUSE LUBE
..	H167691	LABEL	1	X X	ENGINE LIGHT
..	H173335	LABEL	1	X X	TIRE LOADING
..	H174284	LABEL	1	X X	(WARNING)
..	Z60332	LABEL	7	X X	HAND ENTANGLEMENT
..	H157346	LABEL	2	X X	UNLOADING
..	H165560	LABEL	1	X X	LIGHT SWITCH
..	H169689	DECAL	1	X X	UNLOADER SYSTEM LUBE
..	H173162	LABEL	1	X X	L.H. LUBE CHART
..	H173163	LABEL	1	X X	R.H. LUBE CHART

4F6

R.H. BELT ROUTINGS REFERENCE
HP9102 -UN-24SEP99



4F7

DECALS

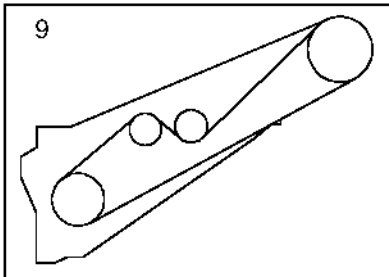
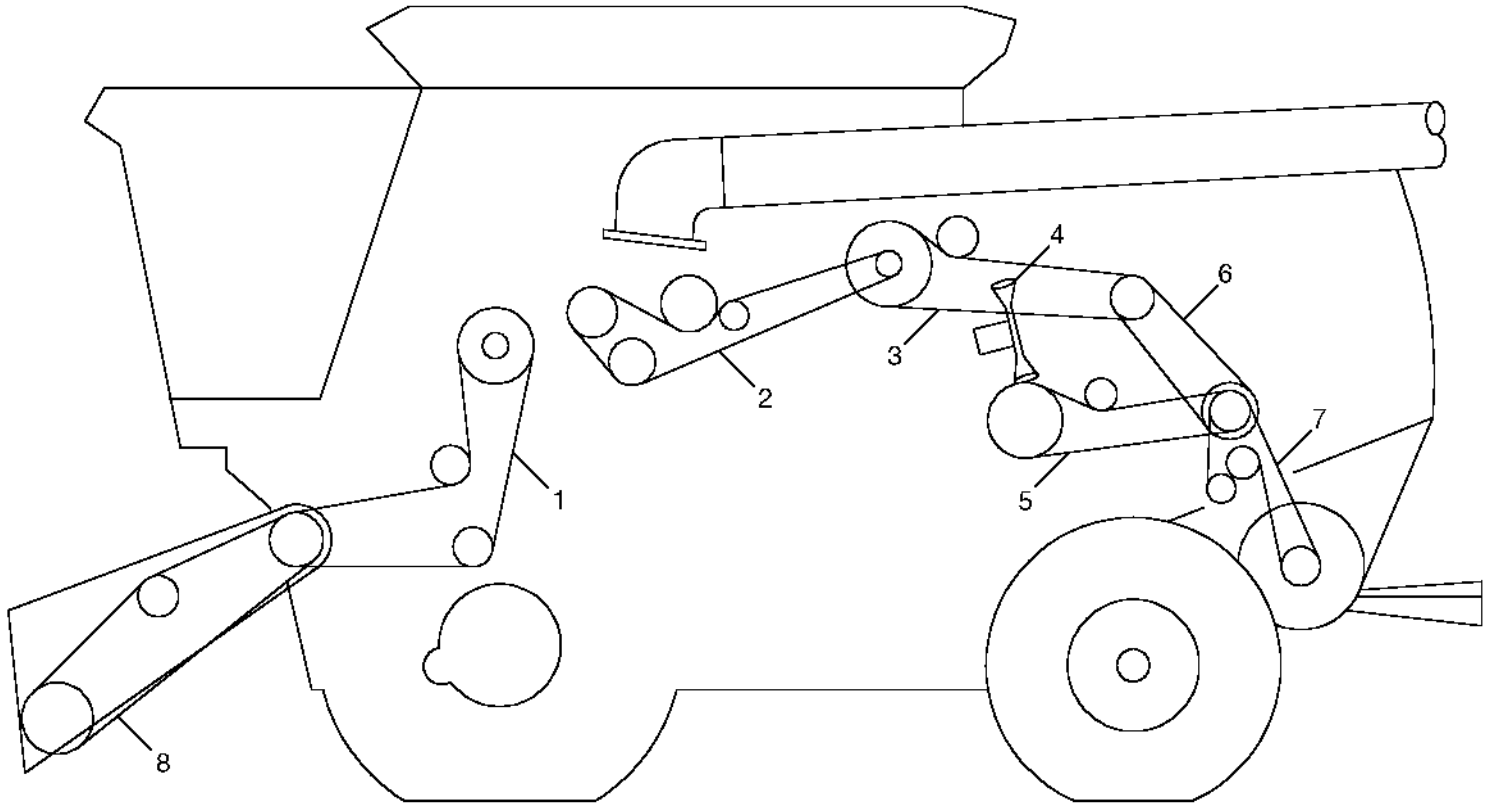
R.H. BELT ROUTINGS REFERENCE - CONTINUED

KEY	PART NO.	PART NAME	QTY	SERIAL NO.	9 6 5 0	REMARKS
1	H158512	BELT	1		X X	CLEAN GRAIN ELEVATOR
2	H154723	BELT	1		X X	R.H. JACKSHAFT (REAR)
3	AH150678	BELT	1		X X	R.H. JACKSHAFT (FRONT)
4	H160831	BELT	1		X X	FEED ACCELERATOR
	H172341	BELT	1		X X	SLOW SPEED OR RICE
5	H166759	BELT	1		X X	SHOE FAN AND CONVEYOR AUGERS
6	H165072	BELT	1		X X	CLEANING FAN
7	AH148112	LINK CHAIN	1		X X	FEEDER CONVEYOR
8	H154731	BELT	1		X X	TAILINGS AUGER AND ELEVATOR

4F8

DECALS

L.H. BELT ROUTINGS REFERENCE
HP9103 -UN-24SEP99



HP9103

4F9

DECALS

L.H. BELT ROUTINGS REFERENCE - CONTINUED

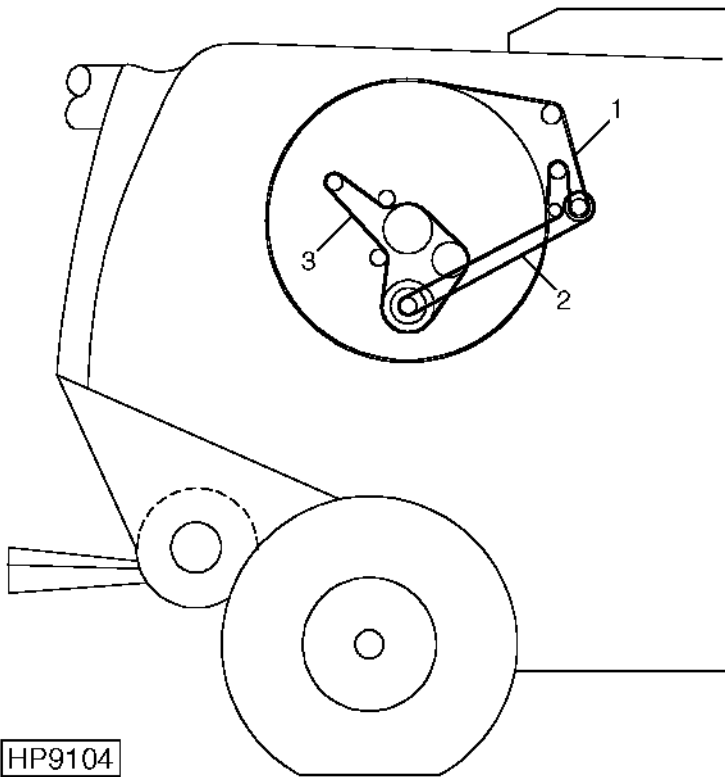
KEY	PART NO.	PART NAME	QTY	SERIAL NO.	REMARKS
				9 9	
				6 7	
				5 5	
				0 0	
1	H156796	BELT	1	X X	HEADER AND REEL PUMP (STANDARD CAPACITY AND FIXED SPEED DRIVE)
	H156541	BELT	1	X X	HEADER AND REEL PUMP (HI-CAPACITY)
2	AH144891	CHAIN LINK	1	X X	UNLOADING AUGER SYSTEM (CHAIN)
	AH161460	CHAIN LINK	1	X X	UNLOADING AUGER SYSTEM (CHAIN) (SLOW SPEED)
3	AH160080	BELT	1	X X	UNLOADING AUGER SYSTEM
4	H165545	BELT	1	X X	STS VARIABLE DRIVE
5	H168301	BELT	1	X X	DISCHARGE BEATER
6	H157514	BELT	1	X X	COUNTERSHAFT, DISCHARGE BEATER AND CHOPPER
7	H157523	BELT	1	X X	STRAW CHOPPER
8	H157732	BELT	1	X X	VARIABLE DRIVE FEEDERHOUSE (STANDARD)
	H166457	BELT	1	X X	VARIABLE DRIVE FEEDERHOUSE (HI-CAPACITY)
9	H111519	BELT	1	X X	FIXED SPEED FEEDERHOUSE

4F10

DECALS

L.H. BELT ROUTINGS REFERENCE

HP9104 -UN-24SEP99



9 9
6 7
5 5
0 0

KEY	PART NO.	PART NAME	QTY	SERIAL NO.	REMARKS
1	H157105	BELT	1	X X	ROTARY SCREEN DRIVE (SCREEN SIDE)
2	H157104	BELT	1	X X	ROTARY SCREEN DRIVE (ENGINE SIDE)
3	R135606	BELT	1	X X	ALTERNATOR (95 AMP)
	R135609	BELT	1	X X	ALTERNATOR (185 AMP)

1K21

9650 STS AND 9750 STS SELF-PROPELLED COMBINES

NUMERICAL INDEX

PART NO.	GRID	KEY	PAGE	PART NO.	GRID	KEY	PAGE	PART NO.	GRID	KEY	PAGE
AA27536	2J15	1	90-27	AH116902	2J19	40	90-31	AH125975	3F15	22	125-15
AA27536	2J19	23	90-31	AH117301	2H6	30	80-5	AH126008	3G15	18	130-19
AA45031	2H18	25	80-17	AH117301	4B9	23	150-3	AH126091	3D8	11	110-31
AA45032	1H23	9	40-70	AH117643	3I10	29	140-7	AH126188	3J20	2	140-42
AA45032	1H24	8	40-71	AH120216	2I2	25	80-27	AH126272	1G19	3	40-42
AA45032	1H25	4	40-72	AH120419	3B12	4	95-6	AH126541	1H21	7	40-68
AA45032	2H18	29	80-17	AH120446	3B12	5	95-6	AH126619	4B15	4	150-9
AA45032	2H25	8	80-25	AH120541	2I25	20	90-11	AH126657	2F18	21	70-23
AA5607R	3C18	3	110-17	AH120547	3B16	9	95-10	AH126811	2J15	31	90-27
AA5607R	3H13	12	135-13	AH120737	3I12	15	140-9	AH127383	2J21	14	90-33
AA5607R	3J9	7	140-31	AH120737	3I14	15	140-11	AH127656	2B14	4	50-6
AA5607R	3J11	21	140-33	AH120891	2I23	6	90-9	AH127674	2I23	3	90-9
AA5607R	3J13	4	140-35	AH121005	3J9	15	140-31	AH127684	3B15	19	95-9
AA5607R	3J19	5	140-41	AH121190	2J15	7	90-27	AH127684	3B16	6	95-10
AA5607R	3J21	3	140-43	AH121340	2J19	29	90-31	AH127685	3B15	4	95-9
AA5607R	3J22	3	140-44	AH121475	1I4	3	40-76	AH127685	3B16	7	95-10
AA5607R	3K2	12	140-49	AH121580	2B25	18	50-17	AH128074	3K5	22	140-53
AA5607R	3K3	25	140-50	AH121643	2G7	6	70-36	AH128075	3K5	22	140-53
AA5607R	3K6	3	140-54	AH121658	3J7	13	140-28	AH128226	3J4	4	140-25
AB1288H	3D10	6	110-33	AH122018	3J4	4	140-25	AH128241	4E2	13	160-27
AB1289H	3D10	6	110-33	AH122099	2K9	13	90-47	AH128267	2B23	9	50-15
AB18206	2G14	3	70-43	AH122244	2D7	16	50-53	AH128328	1I2	6	40-74
AB4462R	4D18	25	160-19	AH122244	2I18	24	90-3	AH128328	1I8	2	40-80
AE22622	3K3	18	140-50	AH122575	2B22	8	50-14	AH128357	2J23	19	90-35
AE23791	2J21	18	90-33	AH122717	4B22	2	150-17	AH128384	3J15	1	140-37
AE26118	3F20	5	125-21	AH122717	4B22	7	150-17	AH128391	2C5	1	50-23
AE27909	3D10	11	110-33	AH123016	1I1	4	40-73	AH128391	2C7	32	50-25
AE38448	3I20	16	140-17	AH123902	1G18	2	40-41	AH128449	2C14	24	50-33
AE38448	3I22	1	140-19	AH123904	1G18	35	40-41	AH128449	2F18	1	70-23
AE38448	3J2	15	140-23	AH123905	1G18	24	40-41	AH128449	3I8	11	140-5
AE42998	3G9	6	130-13	AH123908	1G18	17	40-41	AH128450	3I8	10	140-5
AE44392	1F25	64	40-21	AH123910	1G18	27	40-41	AH128451	3I8	5	140-5
AH104259	2J2	12	90-13	AH123911	1G18	29	40-41	AH128452	2J21	12	90-33
AH105040	3C10	23	110-9	AH123912	4C4	20	150-23	AH128528	2B25	1	50-17
AH106010	2I23	11	90-9	AH124050	3J17	12	140-39	AH128528	3C7	45	110-5
AH106606	3K7	4	140-55	AH124731	2F6	3	70-11	AH128585	2J4	13	90-15
AH106933	2C9	11	50-27	AH124731	2F10	24	70-15	AH128597	2H14	16	80-13
AH108080	2G14	2	70-43	AH124731	2F12	25	70-17	AH128597	2H22	11	80-21
AH108080	4E2	18	160-27	AH124731	2F14	26	70-19	AH128610	2K7	12	90-44
AH108161	3C5	17	110-3	AH124832	2G3	7	70-32	AH128654	2D5	14	50-51
AH108299	2I18	25	90-3	AH124878	4B20	2	150-15	AH128654	3I6	37	140-3
AH108299	4B9	12	150-3	AH124882	2K2	32	90-39	AH128655	2D5	16	50-51
AH108380	2G14	10	70-43	AH125070	4C6	4	150-25	AH128655	3I6	50	140-3
AH108380	2K2	4	90-39	AH125080	4B18	21	150-13	AH128672	2D5	30	50-51
AH108816	2J19	2	90-31	AH125228	2B25	16	50-17	AH128692	2D16	1	50-62
AH10888	1B10	16	20-4	AH125228	3C8	1	110-6	AH128779	2F4	12	70-9
AH109788	1B12	9	20-7	AH125454	3D18	3	110-41	AH128780	2F4	11	70-9
AH112189	1H6	2	40-53	AH125490	3I12	32	140-9	AH128842	2E2	11	60-7
AH112401	2C7	2	50-25	AH125490	3I14	32	140-11	AH128842	2E6	30	60-11
AH112435	4B22	3	150-17	AH125644	2H12	8	80-11	AH128842	4D22	30	160-23
AH112668	2C13	28	50-31	AH125644	3H15	9	135-15	AH128843	2E2	12	60-7
AH112675	2C13	29	50-31	AH125673	1B22	10	20-17	AH128843	2E6	30	60-11
AH112678	2C13	35	50-31	AH125733	2F18	2	70-23	AH128843	4D22	30	160-23
AH112678	2C18	8	50-37	AH125760	2C14	22	50-33	AH128865	2G17	7	70-46
AH112680	2C13	13	50-31	AH125760	2C18	10	50-37	AH128865	4C16	5	155-9
AH112931	4E2	17	160-27	AH125760	2E23	21	70-3	AH128925	3B9	9	95-3
AH113392	4B24	10	150-19	AH125760	2F8	29	70-13	AH128929	2C14	33	50-33
AH115639	1B9	5	20-3	AH125760	2F10	2	70-15	AH128986	1I4	10	40-76
AH115833	3B12	1	95-6	AH125760	2F12	2	70-17	AH129236	2J17	39	90-29
AH115836	3B11	17	95-5	AH125760	2F14	2	70-19	AH129255	2J19	18	90-31
AH115943	1H2	4	40-49	AH125760	2F24	18	70-29	AH129278	2C13	43	50-31
AH116104	1H16	12	40-63	AH125760	3I6	11	140-3	AH129284	2C16	8	50-35
AH116104	2C4	25	50-21	AH125910	2F16	18	70-21	AH129420	3E20	24	120-27
AH116104	3E8	18	120-13	AH125958	2J23	17	90-35	AH129451	3G17	4	130-21
AH116104	3H7	29	135-7	AH125969	3E22	12	120-29	AH129452	3F5	2	125-5
AH116632	2G3	9	70-32	AH125970	3E22	12	120-29	AH129452	3G17	2	130-21
AH116902	1G10	20	40-33	AH125975	3F7	23	125-7	AH130193	2I2	15	80-27

NUMERICAL INDEX - CONTINUED

PART NO.	GRID	KEY	PAGE	PART NO.	GRID	KEY	PAGE	PART NO.	GRID	KEY	PAGE
AH130230	1E24	10	30-20	AH133265	4E2	1	160-27	AH140001	4C6	4	150-25
AH130230	1E25	11	30-21	AH133662	2C18	18	50-37	AH140063	4E3	3	160-28
AH130429	2J17	47	90-29	AH133663	2C11	7	50-29	AH140111	2I2	11	80-27
AH130594	2I18	10	90-3	AH133896	1C1	1	20-21	AH140119	1B10	5	20-4
AH130594	2K9	11	90-47	AH133941	2D13	8	50-59	AH140120	1F25	37	40-21
AH130605	2E2	16	60-7	AH133942	2D13	7	50-59	AH140120	1G3	6	40-25
AH130625	2B14	4	50-6	AH134121	3C20	5	110-19	AH140120	1G3	..	40-25
AH130626	2B17	3	50-9	AH134121	3C22	17	110-21	AH140120	1G6	6	40-29
AH130627	2B17	3	50-9	AH134205	2G14	9	70-43	AH140120	1G6	..	40-29
AH130949	2D5	15	50-51	AH134207	3J7	6	140-28	AH140170	1B10	18	20-4
AH130949	3I6	49	140-3	AH134304	4D22	31	160-23	AH140185	3C10	19	110-9
AH131051	2E6	12	60-11	AH134305	4D22	31	160-23	AH140253	2B17	3	50-9
AH131051	4D22	12	160-23	AH134724	2J6	18	90-17	AH140335	4B24	10	150-19
AH131054	2E6	19	60-11	AH134833	2F8	26	70-13	AH140410	2B22	3	50-14
AH131054	4D22	19	160-23	AH134884	3B11	22	95-5	AH140497	1B9	4	20-3
AH131055	2E6	19	60-11	AH135035	1B10	9	20-4	AH140605	2D22	10	60-3
AH131055	4D22	19	160-23	AH135064	2E21	3	70-1	AH140615	3C10	31	110-9
AH131058	2E6	7	60-11	AH135217	2B19	4	50-11	AH14080	3J16	10	140-38
AH131058	4D22	7	160-23	AH135290	2I7	16	80-33	AH140838	2J4	12	90-15
AH131059	2E6	7	60-11	AH135290	4B11	11	150-5	AH140902	2F24	25	70-29
AH131059	4D22	7	160-23	AH135290	4B13	4	150-7	AH140902	2G17	20	70-46
AH131168	2C16	28	50-35	AH135290	4B14	2	150-8	AH140903	2F24	6	70-29
AH131174	2C19	15	50-39	AH135463	3G4	2	130-7	AH141012	2K4	10	90-41
AH131175	2E23	26	70-3	AH135463	3K2	1	140-49	AH141543	2D9	9	50-55
AH131176	2G2	..	70-31	AH135744	3I6	15	140-3	AH141543	2D18	11	50-65
AH131178	2G2	17	70-31	AH135787	1F23	6	40-19	AH141582	2E6	29	60-11
AH131250	2G11	5	70-40	AH135787	1F23	16	40-19	AH141582	4D22	29	160-23
AH131250	2G12	3	70-41	AH136153	4C4	8	150-23	AH141762	3K3	2	140-50
AH131304	2G2	13	70-31	AH136248	2F24	..	70-29	AH141774	2I21	4	90-7
AH131308	2C19	6	50-39	AH136305	2E4	2	60-9	AH141811	2C18	..	50-37
AH131320	1H20	5	40-67	AH136358	3C22	22	110-21	AH141811	2C19	19	50-39
AH131320	3H23	8	135-23	AH136497	3D12	8	110-35	AH141813	2G17	17	70-46
AH131332	2G7	8	70-36	AH136497	3I20	11	140-17	AH142000	3E20	18	120-27
AH131334	2E21	14	70-1	AH136553	4C4	12	150-23	AH142394	3D8	8	110-31
AH131387	2C11	17	50-29	AH136554	4C4	11	150-23	AH142404	2K9	1	90-47
AH131387	2C18	4	50-37	AH137486	3B15	18	95-9	AH142404	2K11	1	90-49
AH131388	2C11	9	50-29	AH137630	3D8	5	110-31	AH142731	2F7	25	70-12
AH131388	2C18	1	50-37	AH137630	3G15	24	130-19	AH142893	2E10	20	60-15
AH131390	2C18	..	50-37	AH137631	3D8	30	110-31	AH143322	2G8	16	70-37
AH131392	2C13	3	50-31	AH137631	3G15	23	130-19	AH143333	2E6	24	60-11
AH131392	2C18	16	50-37	AH137702	3B16	4	95-10	AH143333	4D22	24	160-23
AH131420	2F6	24	70-11	AH137771	3J6	25	140-27	AH143361	3D2	39	110-25
AH131421	2F6	26	70-11	AH137772	3J6	1	140-27	AH143362	3D2	38	110-25
AH131535	2G11	10	70-40	AH138098	2K4	12	90-41	AH143455	2G11	7	70-40
AH131535	2G12	15	70-41	AH138200	2G8	13	70-37	AH143727	4B22	11	150-17
AH131570	2F16	15	70-21	AH138230	3E22	2	120-29	AH143731	4B22	11	150-17
AH131571	2F16	10	70-21	AH138230	3F7	35	125-7	AH143903	1H18	1	40-65
AH131572	2F16	9	70-21	AH138230	3F15	3	125-15	AH143904	1H18	1	40-65
AH131842	2G2	3	70-31	AH138291	1H8	13	40-55	AH143904	3J15	5	140-37
AH131860	3G9	18	130-13	AH138328	2J23	18	90-35	AH144084	3B16	8	95-10
AH131965	1B14	17	20-9	AH138426	3G5	6	130-8	AH144143	3I20	6	140-17
AH132027	2G14	5	70-43	AH138707	2J23	4	90-35	AH144144	3I20	1	140-17
AH132031	2D16	8	50-62	AH138809	2B20	1	50-12	AH144147	3I20	9	140-17
AH132031	2F18	13	70-23	AH138955	4B18	13	150-13	AH144147	3I22	14	140-19
AH132031	2F18	19	70-23	AH139060	2F6	22	70-11	AH144149	3I20	18	140-17
AH132230	4B22	24	150-17	AH139060	2F10	11	70-15	AH144150	3I20	20	140-17
AH132372	3K2	21	140-49	AH139060	2F12	11	70-17	AH144192	2D9	1	50-55
AH132783	3B12	2	95-6	AH139060	2F14	11	70-19	AH144192	2D18	10	50-65
AH132819	2J2	2	90-13	AH139065	2J17	36	90-29	AH144480	2G8	15	70-37
AH132832	2G14	4	70-43	AH139118	3I10	5	140-7	AH144482	2G8	1	70-37
AH133126	2E4	9	60-9	AH139296	3E20	20	120-27	AH144605	2B10	8	50-2
AH133128	2E4	..	60-9	AH139297	3F20	18	125-21	AH144605	2B11	8	50-3
AH133191	3E20	17	120-27	AH139388	3F24	18	130-3	AH144695	2B19	4	50-11
AH133191	3J25	6	140-47	AH139389	3F24	18	130-3	AH144715	3C10	17	110-9
AH133191	3K5	27	140-53	AH139391	3F24	18	130-3	AH144743	2I18	18	90-3
AH133191	4C6	19	150-25	AH139434	3I8	12	140-5	AH144778	2J8	1	90-19
AH133265	2G12	4	70-41	AH139987	2G17	5	70-46	AH144816	4C4	13	150-23

1K23

9650 STS AND 9750 STS SELF-PROPELLED COMBINES

NUMERICAL INDEX - CONTINUED

PART NO.	GRID	KEY	PAGE	PART NO.	GRID	KEY	PAGE	PART NO.	GRID	KEY	PAGE
AH144822	3E20	14	120-27	AH147153	2J11	1	90-22	AH149375	1B12	7	20-7
AH144891	3K7	13	140-55	AH147170	2J15	27	90-27	AH149386	1B12	26	20-7
AH144891	4F9	2	170-31	AH147173	2J6	7	90-17	AH149399	3G21	19	130-25
AH145049	4B24	10	150-19	AH147263	2C9	4	50-27	AH149536	3G19	1	130-23
AH145050	4B24	10	150-19	AH147295	3B15	11	95-9	AH149560	1B12	14	20-7
AH145216	2G20	1	70-49	AH147296	2F2	10	70-7	AH149561	1B12	8	20-7
AH145281	3D2	22	110-25	AH147296	3B15	12	95-9	AH149562	1B12	6	20-7
AH145348	2B17	3	50-9	AH147358	3J19	6	140-41	AH149579	3G19	3	130-23
AH145352	3E17	6	120-23	AH147396	3G15	14	130-19	AH149614	2D7	5	50-53
AH145364	1B14	1	20-9	AH147472	3G21	7	130-25	AH149615	2D7	1	50-53
AH145366	1B17	1	20-12	AH147474	3D6	11	110-29	AH149629	1B16	7	20-11
AH145374	1B12	2	20-7	AH147475	3D6	10	110-29	AH149663	3F18	7	125-19
AH145385	4D10	9	160-9	AH147476	3C14	11	110-13	AH149680	3D14	5	110-37
AH145389	1B17	3	20-12	AH147476	3C16	21	110-15	AH149685	3D2	1	110-25
AH145493	3J4	8	140-25	AH147529	3G17	14	130-21	AH149716	1B14	2	20-9
AH145494	3J4	11	140-25	AH147544	2B15	1	50-7	AH149718	3J22	5	140-44
AH145938	3C3	6	110-1	AH147546	2B15	7	50-7	AH149752	4D8	3	160-7
AH145964	1H2	11	40-49	AH147557	3G17	9	130-21	AH149781	3G7	8	130-11
AH145989	3I20	36	140-17	AH147601	4C6	8	150-25	AH149782	3G13	4	130-17
AH146032	2J8	4	90-19	AH147606	3F15	14	125-15	AH149783	3G7	2	130-11
AH146041	2K6	9	90-43	AH147636	3G17	11	130-21	AH149784	3G7	12	130-11
AH146183	4D20	2	160-21	AH147658	1B16	9	20-11	AH149801	1H4	1	40-51
AH146334	3D4	13	110-27	AH147659	1B16	10	20-11	AH149829	4D22	28	160-23
AH146352	4C6	4	150-25	AH147688	3F18	14	125-19	AH149833	1G18	30	40-41
AH146462	3J16	2	140-38	AH147794	3C24	7	110-23	AH149834	1G18	3	40-41
AH146483	3F7	20	125-7	AH147800	3D6	1	110-29	AH149835	1G18	1	40-41
AH146492	2D22	2	60-3	AH147899	3F24	28	130-3	AH149851	3E22	7	120-29
AH146498	3E2	14	120-7	AH147923	1E23	3	30-19	AH149862	4D12	13	160-11
AH146552	3J13	6	140-35	AH147923	2H4	1	80-3	AH149862	4E3	6	160-28
AH146552	3K2	14	140-49	AH148021	3G15	21	130-19	AH149865	1E24	1	30-20
AH146563	2F19	12	70-24	AH148062	4B9	15	150-3	AH149878	3H7	18	135-7
AH146568	3F15	28	125-15	AH148068	3G2	14	130-5	AH149880	1H17	3	40-64
AH146569	3F7	28	125-7	AH148072	3J9	9	140-31	AH149909	3H13	4	135-13
AH146570	3F7	28	125-7	AH148102	3D8	1	110-31	AH149959	3H4	5	135-3
AH146571	3E10	12	120-15	AH148112	3D10	6	110-33	AH150166	4D12	16	160-11
AH146604	3E10	2	120-15	AH148112	4F7	7	170-29	AH150171	4D24	2	160-25
AH146605	3E10	1	120-15	AH148136	3C14	5	110-13	AH150172	4D24	10	160-25
AH146622	4B9	1	150-3	AH148193	2D18	13	50-65	AH150260	3B16	1	95-10
AH146656	3E15	1	120-21	AH148210	1H21	12	40-68	AH150343	2B17	4	50-9
AH146657	3E15	5	120-21	AH148210	4B11	19	150-5	AH150344	2B17	4	50-9
AH146662	3E15	11	120-21	AH148210	4B13	21	150-7	AH150345	2B17	4	50-9
AH146744	2J13	7	90-25	AH148244	3J2	3	140-23	AH150346	2B17	4	50-9
AH146764	4D13	10	160-12	AH148259	1E25	10	30-21	AH150405	3E13	7	120-18
AH146765	4D16	10	160-16	AH148279	3K7	6	140-55	AH150451	3C5	31	110-3
AH146780	3F18	16	125-19	AH148470	3J17	4	140-39	AH150451	3C12	18	110-11
AH146781	3F18	8	125-19	AH148472	2F8	24	70-13	AH150490	4D10	8	160-9
AH146782	3F18	5	125-19	AH148618	1E23	1	30-19	AH150499	3D16	12	110-39
AH146785	3F3	2	125-3	AH148633	1H10	1	40-57	AH150587	3E15	7	120-21
AH146786	3F3	13	125-3	AH148649	1B17	2	20-12	AH150588	3E15	6	120-21
AH146787	3F3	14	125-3	AH148758	1H2	8	40-49	AH150593	4D4	..	160-3
AH146834	3G11	13	130-15	AH148873	1E19	12	30-15	AH150678	3J11	27	140-33
AH146840	4B20	3	150-15	AH148880	1E25	3	30-21	AH150678	4F7	3	170-29
AH146852	2I25	6	90-11	AH148894	3C7	23	110-5	AH150686	3C7	9	110-5
AH146854	2I23	5	90-9	AH148909	3F13	1	125-13	AH150686	3C10	9	110-9
AH146864	4D8	2	160-7	AH148944	2G18	1	70-47	AH150687	2G6	6	70-35
AH146871	4D10	1	160-9	AH148953	3E15	7	120-21	AH150900	3J11	18	140-33
AH146880	4C4	10	150-23	AH148954	3E15	6	120-21	AH150932	2F19	12	70-24
AH146891	3E4	1	120-9	AH148999	3G5	7	130-8	AH150941	2H20	4	80-19
AH146979	4D10	4	160-9	AH149062	3G2	1	130-5	AH150942	2H22	1	80-21
AH146981	2F2	11	70-7	AH149157	3F24	26	130-3	AH150943	2H23	1	80-22
AH146983	4C6	7	150-25	AH149226	2F2	1	70-7	AH150945	2H18	1	80-17
AH147030	2J11	3	90-22	AH149228	3B13	2	95-7	AH150946	2H16	1	80-15
AH147084	2F10	12	70-15	AH149231	3E17	10	120-23	AH150947	2H14	1	80-13
AH147084	2F12	12	70-17	AH149322	1B12	11	20-7	AH150948	2H12	2	80-11
AH147084	2F14	12	70-19	AH149323	1B12	17	20-7	AH150949	2H12	1	80-11
AH147085	2F8	25	70-13	AH149349	3C12	25	110-11	AH151123	2I25	7	90-11
AH147118	4D10	1	160-9	AH149349	3D10	17	110-33	AH151164	3F7	16	125-7

NUMERICAL INDEX - CONTINUED

PART NO.	GRID	KEY	PAGE	PART NO.	GRID	KEY	PAGE	PART NO.	GRID	KEY	PAGE
AH151325	3F15	17	125 - 15	AH154280	2J2	6	90 - 13	AH155787	2D24	2	60 - 5
AH151362	2K13	17	90 - 51	AH154313	1B14	3	20 - 9	AH155787	2E2	1	60 - 7
AH151403	4B22	11	150 - 17	AH154330	3G11	8	130 - 15	AH155787	2E4	32	60 - 9
AH151407	4C2	10	150 - 21	AH154364	3E15	7	120 - 21	AH155812	3K5	17	140 - 53
AH151408	4C2	10	150 - 21	AH154365	3E15	6	120 - 21	AH155852	3B11	1	95 - 5
AH151409	4C2	19	150 - 21	AH154383	1H10	13	40 - 57	AH155860	3J2	14	140 - 23
AH151410	4C2	19	150 - 21	AH154407	2J15	14	90 - 27	AH155864	3J6	34	140 - 27
AH151411	4C2	19	150 - 21	AH154437	3D25	9	120 - 5	AH155929	2I23	1	90 - 9
AH151413	4B22	3	150 - 17	AH154437	3E20	8	120 - 27	AH155932	2J25	6	90 - 37
AH151414	4B22	3	150 - 17	AH154440	2E17	8	60 - 22	AH155933	2J25	5	90 - 37
AH151458	1C4	1	20 - 25	AH154441	2E17	1	60 - 22	AH155962	2H14	2	80 - 13
AH151571	2G18	3	70 - 47	AH154460	3F11	11	125 - 11	AH155962	2H16	3	80 - 15
AH151607	3E4	10	120 - 9	AH154468	2F19	2	70 - 24	AH155963	2H14	3	80 - 13
AH151652	3I16	20	140 - 13	AH154469	2F19	2	70 - 24	AH155963	2H16	3	80 - 15
AH151653	3I10	24	140 - 7	AH154498	3E8	20	120 - 13	AH155963	2H22	6	80 - 21
AH151845	2G22	1	70 - 51	AH154504	1H23	8	40 - 70	AH156051	3C18	7	110 - 17
AH151895	3K5	8	140 - 53	AH154504	1H24	7	40 - 71	AH156051	3J9	6	140 - 31
AH151930	3K6	4	140 - 54	AH154509	2I18	3	90 - 3	AH156051	3J11	9	140 - 33
AH151955	3K5	11	140 - 53	AH154566	1B12	28	20 - 7	AH156051	3J13	7	140 - 35
AH151956	3K5	28	140 - 53	AH154566	2H22	18	80 - 21	AH156051	3J21	6	140 - 43
AH151969	2H6	7	80 - 5	AH154597	2I18	14	90 - 3	AH156051	3J22	8	140 - 44
AH152098	1E25	8	30 - 21	AH154691	3E2	1	120 - 7	AH156051	3K2	6	140 - 49
AH152122	3F9	8	125 - 9	AH154696	2K2	6	90 - 39	AH156051	3K6	1	140 - 54
AH152344	2B9	8	50 - 1	AH154701	3J6	18	140 - 27	AH156081	3I20	10	140 - 17
AH152668	1F18	2	40 - 13	AH154704	2H6	18	80 - 5	AH156144	1B16	12	20 - 11
AH152678	3E4	2	120 - 9	AH154704	4B9	4	150 - 3	AH156144	2E21	7	70 - 1
AH152871	2G16	12	70 - 45	AH154722	1H3	1	40 - 50	AH156144	3I6	9	140 - 3
AH152916	3F3	8	125 - 3	AH154768	3J6	31	140 - 27	AH156145	1C6	6	20 - 27
AH152937	3C10	13	110 - 9	AH154770	3J6	31	140 - 27	AH156145	1D22	1	25 - 43
AH152937	3C12	19	110 - 11	AH154799	3E6	2	120 - 11	AH156157	3D23	1	120 - 3
AH152952	3H13	15	135 - 13	AH154800	3E6	1	120 - 11	AH156346	2I5	1	80 - 30
AH153133	1F18	4	40 - 13	AH154805	3J7	12	140 - 28	AH156688	1H19	1	40 - 66
AH153164	1E19	28	30 - 15	AH154848	2B14	4	50 - 6	AH156706	2G16	19	70 - 45
AH153311	1F18	3	40 - 13	AH154878	3E6	5	120 - 11	AH156718	2E12	8	60 - 17
AH153341	3C10	...	110 - 9	AH154879	3J4	12	140 - 25	AH156719	3F9	16	125 - 9
AH153535	2H8	2	80 - 7	AH154880	3E6	3	120 - 11	AH156743	2F2	14	70 - 7
AH153536	2H8	3	80 - 7	AH154881	3E6	4	120 - 11	AH156743	2F4	6	70 - 9
AH153627	3H17	7	135 - 17	AH154890	3C5	...	110 - 3	AH156746	2D11	2	50 - 57
AH153628	3H17	8	135 - 17	AH154890	3C5	...	110 - 3	AH156746	2F2	12	70 - 7
AH153756	2F18	10	70 - 23	AH154910	2H22	5	80 - 21	AH156746	2F2	12	70 - 7
AH153773	2G16	3	70 - 45	AH154914	1H23	...	40 - 70	AH156773	2B10	14	50 - 2
AH153774	2G16	10	70 - 45	AH154960	3D12	23	110 - 35	AH156773	2B11	14	50 - 3
AH153774	2G16	11	70 - 45	AH154965	4C6	2	150 - 25	AH156843	3C18	5	110 - 17
AH153774	2G16	29	70 - 45	AH154966	4C6	3	150 - 25	AH156943	2I23	4	90 - 9
AH153792	2G14	18	70 - 43	AH155000	3H13	5	135 - 13	AH156971	2C7	11	50 - 25
AH153796	2I25	1	90 - 11	AH155001	2E17	3	60 - 22	AH157075	4B9	2	150 - 3
AH153805	2F22	20	70 - 27	AH155002	2E17	4	60 - 22	AH157219	3J16	3	140 - 38
AH153816	3I20	32	140 - 17	AH155007	2J15	25	90 - 27	AH157221	3J16	6	140 - 38
AH153845	2E12	4	60 - 17	AH155034	3D14	6	110 - 37	AH157232	1H2	8	40 - 49
AH153846	2E12	11	60 - 17	AH155035	3D14	3	110 - 37	AH157351	4B20	6	150 - 15
AH153849	2E14	8	60 - 19	AH155190	3F9	15	125 - 9	AH157387	2G6	12	70 - 35
AH153851	2E12	9	60 - 17	AH155207	2I18	22	90 - 3	AH157457	2E10	28	60 - 15
AH153910	2I25	26	90 - 11	AH155210	2K9	8	90 - 47	AH157457	2J17	27	90 - 29
AH153932	2D16	3	50 - 62	AH155212	1E19	15	30 - 15	AH157553	4B9	3	150 - 3
AH153984	2G20	6	70 - 49	AH155217	1B25	3	20 - 20	AH157554	1E25	1	30 - 21
AH153985	2G20	5	70 - 49	AH155232	2C7	7	50 - 25	AH157555	1E25	2	30 - 21
AH154007	3I22	15	140 - 19	AH155256	3K3	3	140 - 50	AH157698	2B21	1	50 - 13
AH154068	3G5	6	130 - 8	AH155271	1E23	12	30 - 19	AH157699	2B21	1	50 - 13
AH154069	2H10	1	80 - 9	AH155276	2J6	16	90 - 17	AH157699	2B21	1	50 - 13
AH154130	3H13	18	135 - 13	AH155278	3E17	14	120 - 23	AH157765	2I4	10	80 - 29
AH154186	2E14	5	60 - 19	AH155323	4C4	7	150 - 23	AH157933	3C5	14	110 - 3
AH154194	1F20	37	40 - 15	AH155394	3C24	32	110 - 23	AH157937	4D8	...	160 - 7
AH154205	1G22	8	40 - 45	AH155409	3D19	11	110 - 42	AH157973	2E21	6	70 - 1
AH154218	2I25	11	90 - 11	AH155483	1H14	13	40 - 61	AH158038	2H18	19	80 - 17
AH154221	2K2	16	90 - 39	AH155662	2F19	14	70 - 24	AH158225	2H8	7	80 - 7
AH154263	3E23	1	120 - 30	AH155666	3D10	7	110 - 33	AH158248	4B13	12	150 - 7
AH154278	1G18	5	40 - 41	AH155785	2E6	31	60 - 11	AH158249	4B13	7	150 - 7
				AH155786	2E6	31	60 - 11	AH158252	4B13	14	150 - 7
								AH158253	4B13	15	150 - 7

1K25

9650 STS AND 9750 STS SELF-PROPELLED COMBINES

NUMERICAL INDEX - CONTINUED

PART NO.	GRID	KEY	PAGE	PART NO.	GRID	KEY	PAGE	PART NO.	GRID	KEY	PAGE
AH158288	2K2	21	90 - 39	AH159863	3F3	3	125 - 3	AH160796	3D10	4	110 - 33
AH158290	2K2	22	90 - 39	AH159872	3H19	12	135 - 19	AH160798	3C20	7	110 - 19
AH158291	2K2	29	90 - 39	AH159878	3F3	4	125 - 3	AH160798	3C22	8	110 - 21
AH158310	1I5	1	40 - 77	AH159901	3H19	13	135 - 19	AH160799	3C20	19	110 - 19
AH158328	3D8	31	110 - 31	AH159906	2I9	4	80 - 35	AH160832	2B17	3	50 - 9
AH158452	1H16	5	40 - 63	AH159907	2I9	6	80 - 35	AH160832	2B17	4	50 - 9
AH158454	2H14	29	80 - 13	AH159948	2D11	3	50 - 57	AH160970	2F19	3	70 - 24
AH158457	3F7	4	125 - 7	AH159948	2F2	13	70 - 7	AH161058	3C22	13	110 - 21
AH158580	3G19	12	130 - 23	AH159994	2J13	1	90 - 25	AH161059	3C20	6	110 - 19
AH158581	3G19	10	130 - 23	AH160025	1F2	7	30 - 23	AH161154	2J13	10	90 - 25
AH158595	3I12	20	140 - 9	AH160058	1H21	4	40 - 68	AH161348	2J6	5	90 - 17
AH158595	3I14	20	140 - 11	AH160070	3H17	15	135 - 17	AH161375	3H21	2	135 - 21
AH158635	3D8	32	110 - 31	AH160080	3K5	14	140 - 53	AH161391	2H16	16	80 - 15
AH158635	3G15	22	130 - 19	AH160080	4F9	3	170 - 31	AH161392	2H14	17	80 - 13
AH158688	3E18	6	120 - 24	AH160113	2K11	2	90 - 49	AH161392	2H22	19	80 - 21
AH158812	3J12	1	140 - 34	AH160114	2K11	2	90 - 49	AH161454	3D19	2	110 - 42
AH158821	3H7	12	135 - 7	AH160115	2K9	2	90 - 47	AH161460	3K7	13	140 - 55
AH158835	3E15	17	120 - 21	AH160116	1F2	14	30 - 23	AH161460	4F9	2	170 - 31
AH158887	3E8	7	120 - 13	AH160117	2I9	2	80 - 35	AH161474	1H2	7	40 - 49
AH158902	3H19	8	135 - 19	AH160152	2I2	17	80 - 27	AH161485	2E4	31	60 - 9
AH158935	3H19	8	135 - 19	AH160196	2I9	10	80 - 35	AH161526	2F7	22	70 - 12
AH159016	2H6	31	80 - 5	AH160207	2I11	15	80 - 37	AH161526	2F10	10	70 - 15
AH159037	2K2	10	90 - 39	AH160208	3H21	1	135 - 21	AH161526	2F12	10	70 - 17
AH159078	3B18	1	95 - 12	AH160209	3H21	6	135 - 21	AH161526	2F14	10	70 - 19
AH159105	1H6	3	40 - 53	AH160218	1I3	3	40 - 75	AH161527	2F6	21	70 - 11
AH159110	1H6	14	40 - 53	AH160219	1I3	3	40 - 75	AH161527	2F7	23	70 - 12
AH159142	3I22	18	140 - 19	AH160236	2K2	12	90 - 39	AH161527	2F10	9	70 - 15
AH159143	3I20	15	140 - 17	AH160268	1B14	18	20 - 9	AH161527	2F12	9	70 - 17
AH159148	3J19	1	140 - 41	AH160269	1B12	29	20 - 7	AH161527	2F14	9	70 - 19
AH159170	3C7	..	110 - 5	AH160278	1H6	11	40 - 53	AH161529	2F10	14	70 - 15
AH159170	3C8	..	110 - 6	AH160279	1C1	2	20 - 21	AH161529	2F12	14	70 - 17
AH159180	2J15	9	90 - 27	AH160284	3J25	13	140 - 47	AH161529	2F14	14	70 - 19
AH159185	2K6	1	90 - 43	AH160291	1H6	1	40 - 53	AH161530	2F7	3	70 - 12
AH159186	2K6	1	90 - 43	AH160299	2H8	6	80 - 7	AH161530	2F8	3	70 - 13
AH159187	2K6	1	90 - 43	AH160300	2H6	28	80 - 5	AH161530	2F10	18	70 - 15
AH159188	2K6	1	90 - 43	AH160321	2B19	4	50 - 11	AH161530	2F12	18	70 - 17
AH159233	3C10	34	110 - 9	AH160360	3C24	35	110 - 23	AH161530	2F14	18	70 - 19
AH159236	2I25	5	90 - 11	AH160390	3J4	8	140 - 25	AH161580	2H6	22	80 - 5
AH159238	2I25	9	90 - 11	AH160391	3J4	11	140 - 25	AH161580	3E7	6	120 - 12
AH159240	3H23	19	135 - 23	AH160404	2H25	14	80 - 25	AH161583	3J6	35	140 - 27
AH159241	2J15	12	90 - 27	AH160405	2H25	2	80 - 25	AH161601	1G10	28	40 - 33
AH159247	1B9	8	20 - 3	AH160406	2I2	..	80 - 27	AH161649	2E23	26	70 - 3
AH159248	2E2	5	60 - 7	AH160432	2I2	10	80 - 27	AH161679	2J10	6	90 - 21
AH159249	2E2	6	60 - 7	AH160469	2K6	2	90 - 43	AH161699	3E12	1	120 - 17
AH159250	2E2	2	60 - 7	AH160470	2K6	2	90 - 43	AH161700	3E12	4	120 - 17
AH159255	1B18	2	20 - 13	AH160472	2K6	3	90 - 43	AH161703	3E12	7	120 - 17
AH159266	1I5	2	40 - 77	AH160473	2K6	3	90 - 43	AH161704	3E12	10	120 - 17
AH159283	1I5	5	40 - 77	AH160474	2K6	3	90 - 43	AH161707	2I7	11	80 - 33
AH159332	1H22	3	40 - 69	AH160475	2K6	3	90 - 43	AH161751	3I20	6	140 - 17
AH159333	1H22	3	40 - 69	AH160488	3H11	1	135 - 11	AH161754	2J6	22	90 - 17
AH159366	1F2	10	30 - 23	AH160499	3E15	8	120 - 21	AH161755	2J6	15	90 - 17
AH159441	2G11	13	70 - 40	AH160572	4D16	14	160 - 16	AH161779	3E13	6	120 - 18
AH159441	2G12	13	70 - 41	AH160573	4D13	14	160 - 12	AH161786	2F18	17	70 - 23
AH159447	1E19	5	30 - 15	AH160592	2I25	16	90 - 11	AH161787	2F18	15	70 - 23
AH159448	1E19	19	30 - 15	AH160595	3J11	11	140 - 33	AH161812	3D23	2	120 - 3
AH159451	2I7	1	80 - 33	AH160596	3K3	5	140 - 50	AH161825	2G6	11	70 - 35
AH159454	2I7	6	80 - 33	AH160606	3H9	6	135 - 9	AH161838	1H20	4	40 - 67
AH159478	2I7	8	80 - 33	AH160610	2E2	18	60 - 7	AH161838	3H23	11	135 - 23
AH159487	1F2	11	30 - 23	AH160611	2E2	17	60 - 7	AH161839	1H20	3	40 - 67
AH159488	1F2	15	30 - 23	AH160613	3E8	3	120 - 13	AH161839	3H7	24	135 - 7
AH159502	3E8	19	120 - 13	AH160615	3C5	14	110 - 3	AH161861	3F13	1	125 - 13
AH159573	1E19	3	30 - 15	AH160628	1H6	12	40 - 53	AH161864	2J25	7	90 - 37
AH159715	2I23	7	90 - 9	AH160669	4D24	12	160 - 25	AH161865	2J25	8	90 - 37
AH159716	2I23	2	90 - 9	AH160676	2E7	7	60 - 12	AH161882	2D15	9	50 - 61
AH159723	2H14	30	80 - 13	AH160677	2E7	7	60 - 12	AH161884	3H4	25	135 - 3
AH159740	2K11	9	90 - 49	AH160680	2E6	..	60 - 11	AH161895	3F11	11	125 - 11
AH159762	1F2	13	30 - 23	AH160727	3H4	17	135 - 3	AH161934	2H10	5	80 - 9

NUMERICAL INDEX - CONTINUED

PART NO.	GRID	KEY	PAGE	PART NO.	GRID	KEY	PAGE	PART NO.	GRID	KEY	PAGE
AH161969	2J25	4	90-37	AH162746	2I21	16	90-7	AH163913	2J13	9	90-25
AH161974	2D13	6	50-59	AH162785	1G10	10	40-33	AH163914	2J13	9	90-25
AH161975	2D13	5	50-59	AH162786	2B9	5	50-1	AH163980	1E25	8	30-21
AH161981	3J7	19	140-28	AH162786	2B10	5	50-2	AH164049	1I3	3	40-75
AH161997	2H8	8	80-7	AH162786	2B11	5	50-3	AH164062	1E25	3	30-21
AH162001	2E6	..	60-11	AH162787	3D12	1A	110-35	AH164063	1E25	4	30-21
AH162033	2H10	2	80-9	AH162912	2E14	1	60-19	AH164125	2H25	1	80-25
AH162059	3G2	4	130-5	AH163000	2J15	5	90-27	AH164126	2H18	1	80-17
AH162068	3J7	5	140-28	AH163002	3J4	9	140-25	AH164189	1H4	6	40-51
AH162145	2E23	..	70-3	AH163003	3J4	7	140-25	AH164228	4D15	11	160-15
AH162146	2E16	21	60-21	AH163004	3J4	6	140-25	AH164250	2B9	8	50-1
AH162147	2E16	21	60-21	AH163005	3J4	7	140-25	AH164278	2J15	12	90-27
AH162154	3F24	12	130-3	AH163006	3J4	6	140-25	AH164280	2E25	6	70-5
AH162156	3G19	3	130-23	AH163028	2C7	33	50-25	AH164288	4C14	22	155-7
AH162159	2H10	4	80-9	AH163028	4D20	1	160-21	AH164289	4D12	11	160-11
AH162163	2K2	15	90-39	AH163029	2C7	33	50-25	AH164296	3H24	7	135-24
AH162210	1E19	23	30-15	AH163029	4D20	1	160-21	AH164300	2H10	6	80-9
AH162230	3G9	5	130-13	AH163046	1I3	1	40-75	AH164304	4D15	12	160-15
AH162231	1I2	4	40-74	AH163047	1I3	1	40-75	AH164308	3E17	20	120-23
AH162231	1I8	4	40-80	AH163048	1I3	1	40-75	AH164349	4C14	2	155-7
AH162232	1H22	2	40-69	AH163049	1I3	1	40-75	AH164391	4D4	5	160-3
AH162235	3H19	14	135-19	AH163129	1E19	11	30-15	AH164450	2F8	27	70-13
AH162294	3E10	5	120-15	AH163171	2B17	4	50-9	AH164450	2F10	13	70-15
AH162340	3C20	16	110-19	AH163172	2B17	3	50-9	AH164450	2F12	13	70-17
AH162344	3F9	25	125-9	AH163173	1E19	1	30-15	AH164450	2F14	13	70-19
AH162344	3F11	19	125-11	AH163186	1E19	25	30-15	AH164484	2D15	16	50-61
AH162344	3F13	13	125-13	AH163303	1E19	29	30-15	AH164487	3F9	10	125-9
AH162350	4B11	6	150-5	AH163317	3B11	21	95-5	AH164488	3F9	19	125-9
AH162351	4B11	7	150-5	AH163335	3H24	6	135-24	AH164492	1E23	15	30-19
AH162352	4B11	1	150-5	AH163337	3H24	2	135-24	AH164497	1I3	10	40-75
AH162353	4B11	5	150-5	AH163347	2I7	2	80-33	AH164500	2F6	23	70-11
AH162354	4B11	3	150-5	AH163354	2I4	7	80-29	AH164500	2F10	16	70-15
AH162355	4B11	12	150-5	AH163359	4C14	1	155-7	AH164500	2F12	16	70-17
AH162356	3H15	1	135-15	AH163360	2E25	11	70-5	AH164500	2F14	16	70-19
AH162366	2I11	21	80-37	AH163361	3H23	18	135-23	AH164609	4B16	14	150-10
AH162433	2F19	13	70-24	AH163367	1E19	17	30-15	AH164755	2D15	15	50-61
AH162434	2F19	13	70-24	AH163371	3H17	9	135-17	AH164851	3F9	17	125-9
AH162454	3F9	24	125-9	AH163400	1G6	16	40-29	AH164852	2H8	1	80-7
AH162454	3F11	22	125-11	AH163488	1H10	4	40-57	AH164852	2H10	3	80-9
AH162454	3F13	16	125-13	AH163519	1B16	10	20-11	AH164857	3J22	17	140-44
AH162466	2E16	19	60-21	AH163520	1B14	..	20-9	AH164868	3G9	24	130-13
AH162467	2E16	19	60-21	AH163522	2F2	4	70-7	AH164889	2J10	2	90-21
AH162472	2F18	16	70-23	AH163595	3H7	31	135-7	AH164925	3J11	15	140-33
AH162503	2J8	3	90-19	AH163595	3H9	14	135-9	AH164940	2C11	..	50-29
AH162504	3H15	6	135-15	AH163596	3B9	14	95-3	AH164940	2C13	..	50-31
AH162506	2H14	4	80-13	AH163616	1F4	11	30-25	AH165012	3F11	9	125-11
AH162506	2H16	13	80-15	AH163663	3J17	13	140-39	AH165012	3F13	8	125-13
AH162506	2H22	9	80-21	AH163667	2I18	7	90-3	AH165023	2I19	7	90-4
AH162545	2D24	..	60-5	AH163668	2H14	15	80-13	AH165073	2I23	8	90-9
AH162545	2E4	26	60-9	AH163668	2H16	14	80-15	AH165094	3H7	19	135-7
AH162547	2G3	5	70-32	AH163668	2H22	22	80-21	AH165095	3H7	20	135-7
AH162559	2J6	11	90-17	AH163684	1I7	..	40-79	AH165112	2H6	22	80-5
AH162564	2G3	2	70-32	AH163684	4C16	22	155-9	AH165120	2C14	28	50-33
AH162565	2G3	4	70-32	AH163735	1E23	10	30-19	AH165187	3G7	10	130-11
AH162586	3D2	40	110-25	AH163735	2H6	1	80-5	AH165189	4C14	11	155-7
AH162600	3D23	9	120-3	AH163749	2I7	15	80-33	AH165202	4D4	5	160-3
AH162604	3H13	16	135-13	AH163786	1F2	4	30-23	AH165220	3D12	6	110-35
AH162605	3F13	1	125-13	AH163801	2G18	1	70-47	AH165221	3D12	6	110-35
AH162610	3H15	12	135-15	AH163817	4D6	5	160-5	AH165222	4D8	11	160-7
AH162617	2F22	13	70-27	AH163819	1H16	5	40-63	AH165222	4D15	7	160-15
AH162618	2G4	3	70-33	AH163830	3J21	5	140-43	AH165223	4D12	8	160-11
AH162619	2G4	11	70-33	AH163869	4C4	1	150-23	AH165248	3I6	51	140-3
AH162641	2G10	12	70-39	AH163875	3H9	9	135-9	AH165256	4C14	2	155-7
AH162642	2G10	1	70-39	AH163880	2H8	4	80-7	AH165344	1G20	5	40-43
AH162654	1F4	1	30-25	AH163886	1F2	12	30-23	AH165526	1F25	32	40-21
AH162655	1F4	3	30-25	AH163887	3K3	24	140-50	AH165536	1G19	2	40-42
AH162724	3D2	16	110-25	AH163895	3C7	13	110-5	AH165583	1G12	14	40-35

NUMERICAL INDEX - CONTINUED

PART NO.	GRID	KEY	PAGE	PART NO.	GRID	KEY	PAGE	PART NO.	GRID	KEY	PAGE
AH165591	3B9	20	95 - 3	AH166924	1I3	17	40 - 75	AH168166	3E4	2	120 - 9
AH165617	2H25	11	80 - 25	AH166939	1E24	6	30 - 20	AH168167	3H15	1	135 - 15
AH165618	3D6	9	110 - 29	AH166980	2K4	14	90 - 41	AH168186	3J22	17	140 - 44
AH165634	2J6	14	90 - 17	AH166984	1G4	1	40 - 27	AH168190	1H23	..	40 - 70
AH165665	2G22	5	70 - 51	AH166984	1G6	23	40 - 29	AH168260	1F23	18B	40 - 19
AH165691	1G16	1	40 - 39	AH166985	1G1	1	40 - 23	AH168277	3H4	17	135 - 3
AH165698	2H4	19	80 - 3	AH166985	1G3	21	40 - 25	AH168300	4B18	40	150 - 13
AH165785	3H24	3	135 - 24	AH166986	1F21	1	40 - 17	AH168365	3J2	14	140 - 23
AH165792	2G16	16	70 - 45	AH166986	1F23	31	40 - 19	AH168385	2H14	15	80 - 13
AH165793	2F20	7	70 - 25	AH166986	1F25	30	40 - 21	AH168385	2H16	14	80 - 15
AH165794	2F20	4	70 - 25	AH167024	2H22	6	80 - 21	AH168385	2H22	22	80 - 21
AH165795	2G22	8	70 - 51	AH167025	2H22	10	80 - 21	AH168397	3C18	5	110 - 17
AH165796	2D7	22	50 - 53	AH167029	2H22	23	80 - 21	AH168403	2I18	7	90 - 3
AH165796	2D9	8	50 - 55	AH167030	2H14	25	80 - 13	AH168438	3E15	17	120 - 21
AH165797	2D13	20	50 - 59	AH167031	3G2	21	130 - 5	AH168439	2J13	9	90 - 25
AH165798	2D13	12	50 - 59	AH167108	1H2	12	40 - 49	AH168440	2J13	9	90 - 25
AH165853	2H25	12	80 - 25	AH167128	3D4	13	110 - 27	AH168456	1B25	3	20 - 20
AH165877	2H18	18	80 - 17	AH167177	3E15	21	120 - 21	AH168475	2H18	17	80 - 17
AH165881	2H18	20	80 - 17	AH167238	2E10	28	60 - 15	AH168477	3E15	7	120 - 21
AH165883	1G24	5	40 - 47	AH167238	2J17	27	90 - 29	AH168479	3E15	7	120 - 21
AH165884	2H14	28	80 - 13	AH167407	4C16	1	155 - 9	AH168480	3E15	6	120 - 21
AH165899	2H18	24	80 - 17	AH167433	4B18	34	150 - 13	AH168481	3E15	7	120 - 21
AH165984	1F25	49	40 - 21	AH167434	2B19	4	50 - 11	AH168482	3E15	6	120 - 21
AH165990	2K6	19	90 - 43	AH167553	2G8	..	70 - 37	AH168534	3E15	23	120 - 21
AH166000	1I3	3	40 - 75	AH167563	2I4	7	80 - 29	AH168571	3E6	1	120 - 11
AH166001	1I3	3	40 - 75	AH167572	4F4	..	170 - 26	AH168572	3I20	10	140 - 17
AH166002	1I3	3	40 - 75	AH167576	3F11	9	125 - 11	AH168667	3E15	21	120 - 21
AH166047	3G9	16	130 - 13	AH167576	3F13	8	125 - 13	AH168684	3I16	20	140 - 13
AH166074	2H10	14	80 - 9	AH167579	3D12	1A	110 - 35	AH168685	3J6	35	140 - 27
AH166078	2H14	7	80 - 13	AH167579	3D12	1B	110 - 35	AH168686	3E15	7	120 - 21
AH166119	2H18	17	80 - 17	AH167582	2B20	1	50 - 12	AH168686	3E15	8	120 - 21
AH166124	1H2	6	40 - 49	AH167583	2B19	4	50 - 11	AH168710	4D10	9	160 - 9
AH166125	1H2	6	40 - 49	AH167584	2B19	4	50 - 11	AH168772	3E10	5	120 - 15
AH166126	1H2	6	40 - 49	AH167602	3C7	31	110 - 5	AH168783	3B12	1	95 - 6
AH166144	1G14	21	40 - 37	AH167602	3C10	31	110 - 9	AH168784	2H6	7	80 - 5
AH166145	1G8	42	40 - 31	AH167604	1H10	..	40 - 57	AH168939	1H2	7	40 - 49
AH166173	3E15	11	120 - 21	AH167620	1B9	23	20 - 3	AH169109	3E15	20	120 - 21
AH166212	2H22	23	80 - 21	AH167630	2H6	22	80 - 5	AH169502	3C24	7	110 - 23
AH166260	2I19	1A	90 - 4	AH167670	1F2	10	30 - 23	AH169642	3B9	20	95 - 3
AH166260	2I19	1B	90 - 4	AH167712	2H25	11	80 - 25	AH169688	3F13	1	125 - 13
AH166260	2I19	3B	90 - 4	AH167722	1G19	2	40 - 42	AH169733	1H8	6	40 - 55
AH166260	2I19	5B	90 - 4	AH167728	2G16	10	70 - 45	AH169869	3D2	22	110 - 25
AH166330	1G23	3	40 - 46	AH167728	2G16	11	70 - 45	AH170085	3G7	18	130 - 11
AH166348	2D18	12	50 - 65	AH167728	2G16	29	70 - 45	AH170484	2B13	1	50 - 5
AH166439	3C14	8	110 - 13	AH167738	3E13	6	120 - 18	AH170744	3H13	4	135 - 13
AH166439	3C18	10	110 - 17	AH167739	3E12	12	120 - 17	AH170744	3H13	10	135 - 13
AH166482	3F18	23	125 - 19	AH167740	3E12	15	120 - 17	AH170744	3H13	28	135 - 13
AH166538	2H12	3	80 - 11	AH167741	3E12	5	120 - 17	AH171007	3G7	14	130 - 11
AH166545	3F13	1	125 - 13	AH167768	1H2	6	40 - 49	AH171008	3G5	7	130 - 8
AH166546	1G19	3	40 - 42	AH167769	1H2	6	40 - 49	AH171092	3E10	12	120 - 15
AH166590	3F18	23	125 - 19	AH167770	1H2	6	40 - 49	AH20868	2B25	19	50 - 17
AH166638	3G2	9	130 - 5	AH167798	2G4	3	70 - 33	AH20868	4D18	1	160 - 19
AH166639	3G2	10	130 - 5	AH167847	4C6	2	150 - 25	AH21815	3G9	19	130 - 13
AH166640	3G2	11	130 - 5	AH167848	4C6	3	150 - 25	AH64610	2B20	1	50 - 12
AH166641	2I2	7	80 - 27	AH167853	4F1	..	170 - 23	AH65358	2C13	34	50 - 31
AH166648	2J2	4	90 - 13	AH167942	3J7	12	140 - 28	AH65358	2C18	7	50 - 37
AH166669	3F15	18	125 - 15	AH167942	3J7	19	140 - 28	AH75167	2G4	5	70 - 33
AH166670	3F15	16	125 - 15	AH167943	3E13	6	120 - 18	AH75167	2G7	2	70 - 36
AH166671	3F15	10	125 - 15	AH167973	2H10	16	80 - 9	AH75167	2G16	11	70 - 45
AH166732	2I7	1	80 - 33	AH168008	2I11	21	80 - 37	AH75167	2G18	4	70 - 47
AH166773	2K2	10	90 - 39	AH168046	3C7	13	110 - 5	AH77279	1H16	3	40 - 63
AH166868	3H19	9	135 - 19	AH168050	2E16	21	60 - 21	AH77279	3D6	19	110 - 29
AH166869	3H19	9	135 - 19	AH168051	2E16	21	60 - 21	AH77279	3J7	11	140 - 28
AH166909	2H14	15	80 - 13	AH168053	2E16	19	60 - 21	AH77724	2J23	23	90 - 35
AH166909	2H16	14	80 - 15	AH168054	2E16	19	60 - 21	AH77724	3B15	8	95 - 9
AH166909	2H22	22	80 - 21	AH168093	4B9	..	150 - 3	AH77869	2E12	22	60 - 17
AH166909	2I18	7	90 - 3	AH168161	3F5	4	125 - 5	AH77869	2G10	17	70 - 39

NUMERICAL INDEX - CONTINUED

PART NO.	GRID	KEY	PAGE	PART NO.	GRID	KEY	PAGE	PART NO.	GRID	KEY	PAGE
AH77869	3B15	10	95 - 9	AN152467	1G12	1	40 - 35	AT18904	1I3	5	40 - 75
AH77884	2G10	16	70 - 39	AN193084	2C16	25	50 - 35	AT202389	1B14	24	20 - 9
AH80328	2D11	12	50 - 57	AN193085	2C11	13	50 - 29	AT207952	1H8	13	40 - 55
AH80328	2F4	9	70 - 9	AN193085	2C11	19	50 - 29	AT209015	2J10	1	90 - 21
AH80335	2I23	13	90 - 9	AN193085	2C18	34	50 - 37	AT209024	2J10	14	90 - 21
AH80335	3B12	6	95 - 6	AN220289	1H8	6	40 - 55	AT209025	2J10	4	90 - 21
AH80335	3F3	15	125 - 3	AN272356	2C19	9	50 - 39	AT209026	2J10	12	90 - 21
AH80335	3F18	27	125 - 19	AN274375	2C13	7	50 - 31	AT209225	2J10	3	90 - 21
AH80335	3G2	13	130 - 5	AN274375	2C13	29	50 - 31	AT22070	2I13	1	80 - 39
AH80335	4B15	1	150 - 9	AR100124	1D5	2	25 - 23	AT22073	2I13	3	80 - 39
AH80916	2C9	10	50 - 27	AR104516	2K4	11	90 - 41	AT25226	2B14	5	50 - 6
AH80916	3J9	25	140 - 31	AR21839	1C5	11	20 - 26	AT25226	2B19	9	50 - 11
AH84695	2D5	25	50 - 51	AR21840	1F4	6	30 - 25	AT25226	2B20	7	50 - 12
AH85276	3J19	9	140 - 41	AR21842	3B15	13	95 - 9	AT28975	3I10	16	140 - 7
AH86866	2B20	8	50 - 12	AR21969	1C11	..	25 - 2	AT35831	1E19	14	30 - 15
AH86897	3G15	25	130 - 19	AR21999	1B16	8	20 - 11	AT36212	2B15	8	50 - 7
AH87272	1B18	6	20 - 13	AR21999	3B11	12	95 - 5	AT39043	2I19	1A	90 - 4
AH89486	2E14	9	60 - 19	AR27940	2J15	29	90 - 27	AT39141	1B16	11	20 - 11
AH89486	2G6	10	70 - 35	AR41785	1C11	..	25 - 2	AT40603	2C4	1	50 - 21
AH89486	2J19	11	90 - 31	AR44402	1C11	1	25 - 2	AT44195	3H15	10	135 - 15
AH89557	1B20	7	20 - 15	AR48236	1B20	2	20 - 15	AT56657	1E24	9	30 - 20
AH89557	1E21	3	30 - 17	AR49025	1C25	1	25 - 17	AT63272	2C13	42	50 - 31
AH89557	1H21	2	40 - 68	AR51481	2J19	1	90 - 31	AT66865	1C11	4	25 - 2
AH89557	1H21	6	40 - 68	AR54749	1C11	4	25 - 2	AT73296	1C4	1	20 - 25
AH89557	1I2	2	40 - 74	AR55394	1D11	16	25 - 30	AT82473	4C4	15	150 - 23
AH89557	2E8	4	60 - 13	AR56766	2J15	16	90 - 27	AU40993	2D5	22	50 - 51
AH89557	2I18	20	90 - 3	AR58952	1D11	15	25 - 30	AW25301	2G4	5	70 - 33
AH89557	2J19	44	90 - 31	AR58952	1E2	36	25 - 49	AW25301	2G16	10	70 - 45
AH89557	3F7	19	125 - 7	AR61533	1C13	17	25 - 5	AW25301	2G16	11	70 - 45
AH89557	3F18	9	125 - 19	AR61589	1C13	19	25 - 5	AZ10044	1B9	18	20 - 3
AH89557	3F20	3	125 - 21	AR62407	1I1	1	40 - 73	AZ10044	3F20	1	125 - 21
AH89557	3H4	22	135 - 3	AR65005	1F16	1	40 - 10	AZ10044	3F24	3	130 - 3
AH90963	4B18	3	150 - 13	AR65006	1F16	2	40 - 10	AZ10045	3F24	9	130 - 3
AH90990	1H6	13	40 - 53	AR75693	2E12	17	60 - 17	AZ10045	3G4	4	130 - 7
AH90990	2E14	10	60 - 19	AR79549	1G16	17	40 - 39	AZ10045	3G15	1	130 - 19
AH90990	2I21	14	90 - 7	AR79550	1G16	11	40 - 39	AZ10045	3G21	2	130 - 25
AH93110	3C10	35	110 - 9	AR85519	1E7	22	30 - 3	AZ20216	2F22	3	70 - 27
AH94450	3C16	10	110 - 15	AR86539	2C23	3	50 - 43	AZ33988	3I18	2	140 - 15
AH94450	3G2	2	130 - 5	AR86539	2E16	4	60 - 21	AZ49013	3C7	15	110 - 5
AH94450	3K2	5	140 - 49	AR86605	1F4	4	30 - 25	AZ49144	2E21	2	70 - 1
AH96317	1I7	10	40 - 79	AR86745	1E15	7	30 - 11	AZ49370	3C7	17	110 - 5
AH96345	3C5	21	110 - 3	AR88903	1E9	12	30 - 5	AZ49371	3C7	21	110 - 5
AH96585	4B18	5	150 - 13	AR91793	1F13	42	40 - 7	AZ50073	2F8	19	70 - 13
AH97031	3J9	12	140 - 31	AR93173	1D5	6	25 - 23	AZ50073	2F10	8	70 - 15
AH97031	3J22	2	140 - 44	AR94522	2G3	8	70 - 32	AZ50073	2F12	8	70 - 17
AH97280	2E14	15	60 - 19	AR94522	2G4	12	70 - 33	AZ50073	2F14	8	70 - 19
AH97280	2G6	15	70 - 35	AR94522	2G16	1	70 - 45	AZ51438	3C7	35	110 - 5
AH97340	3C16	2	110 - 15	AR94522	2G18	10	70 - 47	AZ51851	2F7	24	70 - 12
AH97920	2J17	34	90 - 29	AR94522	4E2	14	160 - 27	A15146	3J2	20	140 - 23
AH98118	4B16	1	150 - 10	AR94761	2B25	6	50 - 17	A15147	4C4	23	150 - 23
AL14674	3F20	10	125 - 21	AR98850	1C18	9	25 - 10	A15719	4D10	5	160 - 9
AL2976T	1F15	20	40 - 9	AT106413	1B20	4	20 - 15	A15898	2G3	6	70 - 32
AM102170	2H14	5	80 - 13	AT107509	1D3	11	25 - 21	A15898	2G18	11	70 - 47
AM102170	2H16	10	80 - 15	AT121137	4D13	8	160 - 12	A24915	1C5	5	20 - 26
AN104281	3J11	22	140 - 33	AT12820	3I24	5	140 - 21	A25695	3C16	15	110 - 15
AN104281	3K6	8	140 - 54	AT131716	1E24	4	30 - 20	A27238	1C5	3	20 - 26
AN113330	3C7	29	110 - 5	AT131716	1E25	9	30 - 21	A31867	2I2	16	80 - 27
AN113330	3C10	29	110 - 9	AT135291	4E2	8	160 - 27	A31867	3C16	9	110 - 15
AN122494	2C16	11	50 - 35	AT13740	1B18	4	20 - 13	A31869	2B9	7	50 - 1
AN122497	2C19	11	50 - 39	AT13740	1C13	4	25 - 5	A31869	2B10	10	50 - 2
AN122498	2C14	5	50 - 33	AT13740	1D18	17	25 - 39	A31869	2B11	10	50 - 3
AN122499	2C16	12	50 - 35	AT13740	1D20	1	25 - 41	A31870	3I22	4	140 - 19
AN122502	2C13	22	50 - 31	AT162597	1B18	8	20 - 13	A31871	3D4	3	110 - 27
AN122518	2C13	32	50 - 31	AT162597	1B20	3	20 - 15	A3581R	4C6	17	150 - 25
AN130930	1E25	7	30 - 21	AT184336	4D6	6	160 - 5	A3917R	2C16	24	50 - 35
AN15237	3J13	2	140 - 35	AT18904	1C5	2	20 - 26	A4365R	1C13	18	25 - 5
AN15237	3K2	8	140 - 49	AT18904	1E19	13	30 - 15	A44990	3C20	3	110 - 19

NUMERICAL INDEX - CONTINUED

PART NO.	GRID	KEY	PAGE	PART NO.	GRID	KEY	PAGE	PART NO.	GRID	KEY	PAGE
A44990	3C22	14	110 - 21	BH81596	3H15	..	135 - 15	CE17439	3I18	11	140 - 15
A4655R	2F6	1	70 - 11	BH81598	1I4	..	40 - 76	CE17440	3I18	20	140 - 15
A4655R	2F7	1	70 - 12	BH81603	3H21	..	135 - 21	CE17441	3I18	21	140 - 15
A4655R	2F8	1	70 - 13	BH81635	2B19	..	50 - 11	CE17442	3I24	12	140 - 21
A4655R	2F10	21	70 - 15	BH81676	2D9	..	50 - 55	CE17450	3I16	5	140 - 13
A4655R	2F12	21	70 - 17	BH81691	3D25	..	120 - 5	CE17451	3I16	5	140 - 13
A4655R	2F14	21	70 - 19	BH81691	3J11	..	140 - 33	CE17452	3I16	5	140 - 13
A50743	1H16	7	40 - 63	BH81691	3J12	..	140 - 34	CE17453	3I16	5	140 - 13
A50744	1B9	6	20 - 3	BH81704	2B12	..	50 - 4	CE17454	3I18	8	140 - 15
A51212	3H9	2	135 - 9	BH81705	2B12	..	50 - 4	CE17525	3I18	4	140 - 15
A52086	3J2	23	140 - 23	BH81706	2B12	..	50 - 4	CE17526	3I18	5	140 - 15
A62454	2H18	27	80 - 17	BH81738	2G16	..	70 - 45	CE17527	3I18	6	140 - 15
A63124	1H23	10	40 - 70	BH81738	2G17	..	70 - 46	CE17528	3I18	7	140 - 15
A63124	1H24	10	40 - 71	BH81742	3G7	..	130 - 11	CE17532	3J2	9	140 - 23
A63124	2H18	31	80 - 17	BH81742	4C14	..	155 - 7	CE17533	3I24	23	140 - 21
A63124	2H25	6	80 - 25	BH81742	4C16	..	155 - 9	CE17685	4D18	8	160 - 19
A63127	1H23	11	40 - 70	BH81758	3G7	..	130 - 11	CE17885	3I14	30	140 - 11
A63127	1H24	9	40 - 71	BH81758	4C12	..	155 - 5	CE17886	3I14	7	140 - 11
A63127	2H18	26	80 - 17	BH81758	4C14	..	155 - 7	CE17887	3I14	38	140 - 11
A63127	2H18	30	80 - 17	BH81760	3G7	..	130 - 11	CE17888	3I12	6	140 - 9
A63127	2H25	5	80 - 25	BH81760	4C12	..	155 - 5	CE17888	3I14	6	140 - 11
A63635	1H23	12	40 - 70	BH81760	4C14	..	155 - 7	CE17900	3I14	4	140 - 11
A63635	1H24	11	40 - 71	BH81774	2B17	..	50 - 9	CE17914	4D18	24	160 - 19
A63635	2H18	28	80 - 17	BH81775	2B17	..	50 - 9	CE17915	4D18	10	160 - 19
A63635	2H18	32	80 - 17	BH81776	2B17	..	50 - 9	CE17916	4D18	6	160 - 19
A63635	2H25	7	80 - 25	BH81777	2B17	..	50 - 9	CE17917	4D18	29	160 - 19
BH78882	2B10	..	50 - 2	BH81792	2B19	..	50 - 11	CE17918	4D18	18	160 - 19
BH79234	2B14	..	50 - 6	BH81793	2B19	..	50 - 11	CE17919	4D18	23	160 - 19
BH79235	2B14	..	50 - 6	BH81794	2B19	..	50 - 11	CE17920	4D18	22	160 - 19
BH80681	2K6	..	90 - 43	BH81795	2B19	..	50 - 11	CE17921	4D18	31	160 - 19
BH80683	2K6	..	90 - 43	BH81801	2B19	..	50 - 11	CE17922	4D18	20	160 - 19
BH81076	2J8	..	90 - 19	BH81807	3E15	..	120 - 21	CE17923	4D18	7	160 - 19
BH81148	2B15	..	50 - 7	BH81807	3E17	..	120 - 23	CE17924	4D18	7	160 - 19
BH81149	2B15	..	50 - 7	BH81807	3E18	..	120 - 24	CE17925	4D18	7	160 - 19
BH81215	2B17	..	50 - 9	BH81808	3E15	..	120 - 21	CE17926	4D18	7	160 - 19
BH81216	2B17	..	50 - 9	BH81808	3E17	..	120 - 23	CE17927	4D18	27	160 - 19
BH81217	2B17	..	50 - 9	BH81867	2B13	..	50 - 5	CE17927	4D18	37	160 - 19
BH81218	2B17	..	50 - 9	BH81869	2B13	..	50 - 5	CE17939	4D18	4	160 - 19
BH81236	2B17	..	50 - 9	BH81875	2B13	..	50 - 5	CE17940	3I12	5	140 - 9
BH81237	2B17	..	50 - 9	BH81876	3E15	..	120 - 21	CE17940	3I14	5	140 - 11
BH81242	2B17	..	50 - 9	BH81876	3E17	..	120 - 23	CE18015	3G9	17	130 - 13
BH81243	2B17	..	50 - 9	BH81877	3E15	..	120 - 21	CE18074	4B16	8	150 - 10
BH81416	2B19	..	50 - 11	BH81877	3E17	..	120 - 23	CE18075	4B16	9	150 - 10
BH81489	3D25	..	120 - 5	BP13616	2F22	2	70 - 27	CE18104	3I16	26	140 - 13
BH81490	3D23	..	120 - 3	BP13620	3C10	22	110 - 9	CE18118	4D18	35	160 - 19
BH81514	2B17	..	50 - 9	B15494	3J2	32	140 - 23	CE18181	3I12	7	140 - 9
BH81515	2B17	..	50 - 9	B27370	4B11	16	150 - 5	CE18201	2C2	1	50 - 19
BH81525	2H22	..	80 - 21	B27370	4B15	7	150 - 9	CE18206	2E6	22	60 - 11
BH81537	2B15	..	50 - 7	B28970	3H4	20	135 - 3	CE18206	4D22	22	160 - 23
BH81538	2B17	..	50 - 9	B28970	3H19	18	135 - 19	CE18212	3I24	21	140 - 21
BH81539	2B17	..	50 - 9	B2984R	2F22	1	70 - 27	CE18213	3I24	25	140 - 21
BH81543	2B17	..	50 - 9	B3118R	3C5	8	110 - 3	CE18214	3I24	26	140 - 21
BH81544	2B17	..	50 - 9	B32564	2E6	23	60 - 11	CE18215	3I24	35	140 - 21
BH81545	2B17	..	50 - 9	B32564	4D22	23	160 - 23	CE18216	3I24	34	140 - 21
BH81546	2B17	..	50 - 9	B32630	2H23	7	80 - 22	CE18217	3I24	31	140 - 21
BH81557	2B17	..	50 - 9	B32630	2K6	10	90 - 43	CE18218	3I24	27	140 - 21
BH81558	2B17	..	50 - 9	B3690R	2J19	36	90 - 31	CE18223	2C2	16	50 - 19
BH81559	2B17	..	50 - 9	CA25242	4D13	11	160 - 12	CE18224	2C4	11	50 - 21
BH81560	2B17	..	50 - 9	CE16623	4D18	15	160 - 19	CE18278	4B16	4	150 - 10
BH81578	1G16	..	40 - 39	CE16624	4D18	15	160 - 19	CE18347	3I24	29	140 - 21
BH81579	1H10	..	40 - 57	CE16625	4D18	15	160 - 19	CE18374	2B23	8	50 - 15
BH81583	2K6	..	90 - 43	CE16800	4B16	7	150 - 10	CE18399	3I12	37	140 - 9
BH81585	2K6	..	90 - 43	CE16825	4D18	15	160 - 19	CE18399	3I14	37	140 - 11
BH81586	1I3	..	40 - 75	CE17425	3I16	8	140 - 13	CE18400	3J6	22	140 - 27
BH81587	1I3	..	40 - 75	CE17427	3I18	3	140 - 15	CE18401	4B16	5	150 - 10
BH81588	1I3	..	40 - 75	CE17429	3I24	1	140 - 21	CE18403	3I10	2	140 - 7
BH81592	2B20	..	50 - 12	CE17434	3I16	13	140 - 13	CE18446	3I16	14	140 - 13

NUMERICAL INDEX - CONTINUED

PART NO.	GRID	KEY	PAGE	PART NO.	GRID	KEY	PAGE	PART NO.	GRID	KEY	PAGE
CE18486	3I18	26	140 - 15	E62942	2F6	2	70 - 11	H108725	2J17	24	90 - 29
CE18488	3I24	36	140 - 21	E62942	2F7	2	70 - 12	H108822	2J19	34	90 - 31
C3203E	2I2	12	80 - 27	E62942	2F8	2	70 - 13	H108889	3C12	4	110 - 11
C3203E	2I4	9	80 - 29	E62942	2F10	19	70 - 15	H109254	2E2	15	60 - 7
C3936E	2C4	2	50 - 21	E62942	2F12	19	70 - 17	H109716	2D22	26	60 - 3
DE18550	3I10	..	140 - 7	E62942	2F14	19	70 - 19	H109736	3G15	8	130 - 19
DE18550	3I12	..	140 - 9	E64256	2D22	36	60 - 3	H110168	4B16	11	150 - 10
DE18550	3I16	..	140 - 13	E64256	3G2	5	130 - 5	H110229	2J17	6	90 - 29
DE18554	3I18	28	140 - 15	E64256	3K5	6	140 - 53	H110232	2D22	14	60 - 3
DE18556	3I18	19	140 - 15	E65288	2C14	25	50 - 33	H110310	2J17	5	90 - 29
DE18569	3I10	12	140 - 7	E65288	2E23	2	70 - 3	H110539	2B25	31	50 - 17
DE18569	3I16	1	140 - 13	E73240	3C20	31	110 - 19	H110539	2C2	15	50 - 19
DE18571	3I12	25	140 - 9	E77072	3D19	3	110 - 42	H110700	2J17	21	90 - 29
DE18571	3I14	25	140 - 11	E80202	3E13	5	120 - 18	H110728	3C5	15	110 - 3
DE18571	3I16	25	140 - 13	E81185	3D2	29	110 - 25	H110800	3I16	10	140 - 13
DE18609	3I10	1	140 - 7	E82510	2K6	18	90 - 43	H110801	3I16	12	140 - 13
DE18610	3I24	3	140 - 21	E82510	4E8	1	170 - 5	H110812	2J19	13	90 - 31
DE18611	3I18	18	140 - 15	E82575	4E25	..	170 - 22	H110842	2K2	9	90 - 39
DE18617	3I24	2	140 - 21	F1743R	1C13	11	25 - 5	H110842	2K13	1	90 - 51
DE18618	3I24	14	140 - 21	F2863	2J13	35	90 - 25	H110842	3B14	6	95 - 8
DE18734	3I14	31	140 - 11	F3220R	1G18	22	40 - 41	H110922	3C5	10	110 - 3
DE18748	4D18	37	160 - 19	F3450R	4E3	4	160 - 28	H110922	3C12	2	110 - 11
DE18750	4D18	12	160 - 19	G6599E	3J18	5	140 - 40	H110923	4E18	3	170 - 15
DE18915	3I10	..	140 - 7	H100027	4B24	16	150 - 19	H111234	2D24	15	60 - 5
DE18915	3I14	..	140 - 11	H100027	4C2	16	150 - 21	H111364	2J13	2	90 - 25
DE18915	3I16	..	140 - 13	H100245	3D12	22	110 - 35	H111364	2J13	4	90 - 25
DE18934	3I24	24	140 - 21	H100246	3D12	21	110 - 35	H111364	2J15	13	90 - 27
DE18935	3I24	37	140 - 21	H100247	3D12	19	110 - 35	H111364	2K13	2	90 - 51
DE18970	4B16	3	150 - 10	H101448	3D12	12	110 - 35	H111378	2G14	1	70 - 43
DE19018	3I12	31	140 - 9	H101878	3I10	28	140 - 7	H111474	3I12	13	140 - 9
DE19067	4B16	10	150 - 10	H102909	4C6	10	150 - 25	H111474	3I14	13	140 - 11
DE19069	3I18	13	140 - 15	H103167	2C2	8	50 - 19	H111478	2K7	18	90 - 44
DE19111	3G9	26	130 - 13	H103264	1B9	19	20 - 3	H111500	2B15	3	50 - 7
DE19159	4D18	37	160 - 19	H103264	3F5	16	125 - 5	H111519	3C12	3	110 - 11
DE19160	4D18	36	160 - 19	H103264	3F24	4	130 - 3	H111519	3C16	11	110 - 15
DE19160	4D18	37	160 - 19	H103264	3H23	10	135 - 23	H111519	3D18	12	110 - 41
DS0251	1C11	..	25 - 2	H103264	4B22	15	150 - 17	H111519	4F9	9	170 - 31
DS0557	1C11	..	25 - 2	H103265	3J25	8	140 - 47	H111538	4E24	1	170 - 21
ET15766	1G14	14	40 - 37	H103265	3K5	2	140 - 53	H111541	4E24	1	170 - 21
E10018	3F5	3	125 - 5	H103543	2B19	1	50 - 11	H111705	2K13	3	90 - 51
E10018	3G4	6	130 - 7	H103543	2B20	3	50 - 12	H111706	2J15	30	90 - 27
E10018	3G15	3	130 - 19	H104075	2D22	31	60 - 3	H111706	2K13	4	90 - 51
E10018	3G17	3	130 - 21	H104418	2C4	24	50 - 21	H112567	2E12	25	60 - 17
E10018	3G21	3	130 - 25	H104855	1F11	9	40 - 5	H112567	2F18	7	70 - 23
E10915	3J18	6	140 - 40	H104855	1F20	12	40 - 15	H112567	3D2	47	110 - 25
E12379	3E8	21	120 - 13	H105005	2D22	32	60 - 3	H112567	3H13	25	135 - 13
E12379	3E20	23	120 - 27	H105005	2D24	16	60 - 5	H112910	2E2	7	60 - 7
E12379	3J9	28	140 - 31	H105822	2B15	2	50 - 7	H112911	2E2	3	60 - 7
E12379	4D6	7	160 - 5	H106000	1I3	4	40 - 75	H113053	4B18	9	150 - 13
E1343FN	1C18	1	25 - 10	H106000	3H11	17	135 - 11	H113196	2D15	17	50 - 61
E53699	3C7	12	110 - 5	H106073	3C10	25	110 - 9	H113238	4B18	18	150 - 13
E53699	3C10	12	110 - 9	H106246	2J15	6	90 - 27	H113402	2J17	19	90 - 29
E55036	3I24	6	140 - 21	H106246	2K2	1	90 - 39	H113404	2J17	18	90 - 29
E55037	3I24	7	140 - 21	H107266	2E17	5	60 - 22	H113625	3F20	15	125 - 21
E55038	3I24	8	140 - 21	H107504	2B12	12	50 - 4	H113626	3F20	19	125 - 21
E55662	1H14	1	40 - 61	H107504	2B22	1	50 - 14	H113751	2F22	23	70 - 27
E55758	2C21	20	50 - 41	H107566	2J4	18	90 - 15	H113863	2J19	16	90 - 31
E56866	3J6	16	140 - 27	H107566	2J17	4	90 - 29	H113864	2J17	14	90 - 29
E59406	2F22	7	70 - 27	H107567	2J17	33	90 - 29	H113892	3K3	20	140 - 50
E61791	2G2	1	70 - 31	H107570	2J17	50	90 - 29	H113924	1B14	25	20 - 9
E62089	2F6	6	70 - 11	H107582	2J17	28	90 - 29	H114001	3H7	21	135 - 7
E62089	2F7	6	70 - 12	H107584	2J17	29	90 - 29	H114020	2G17	14	70 - 46
E62094	2F7	14	70 - 12	H107586	2J17	51	90 - 29	H114038	2K2	2	90 - 39
E62892	2F10	6	70 - 15	H107687	2J17	8	90 - 29	H114038	2K4	19	90 - 41
E62892	2F12	6	70 - 17	H107687	2J19	12	90 - 31	H114038	2K13	5	90 - 51
E62892	2F14	6	70 - 19	H108604	4E24	1	170 - 21	H114046	3B11	5	95 - 5
E62917	3I18	12	140 - 15	H108605	4E24	1	170 - 21	H114142	3B11	18	95 - 5

1L6

9650 STS AND 9750 STS SELF-PROPELLED COMBINES

NUMERICAL INDEX - CONTINUED

PART NO.	GRID	KEY	PAGE	PART NO.	GRID	KEY	PAGE	PART NO.	GRID	KEY	PAGE
H114226	3J6	14	140-27	H120847	2E14	11	60-19	H125743	3I10	18	140-7
H114227	3J6	14	140-27	H121166	3B16	12	95-10	H125743	3I12	26	140-9
H114228	3J6	14	140-27	H121168	2E14	12	60-19	H125743	3I14	26	140-11
H114330	2D24	13	60-5	H121168	3D2	43	110-25	H125769	2J2	7	90-13
H114331	2D24	10	60-5	H121391	2H12	7	80-11	H125837	3I16	22	140-13
H114395	3K7	3	140-55	H121391	3H15	11	135-15	H125838	3I10	17	140-7
H114523	3B15	3	95-9	H121472	2D15	11	50-61	H125838	3J6	13	140-27
H114525	3B15	2	95-9	H121681	3J4	10	140-25	H125839	3I16	4	140-13
H114537	3H11	2	135-11	H121681	3J6	29	140-27	H125930	2I19	3A	90-4
H114538	3H11	3	135-11	H122182	2D7	3	50-53	H126026	3I6	7	140-3
H114603	2K7	19	90-44	H122182	2D9	3	50-55	H126028	3I6	34	140-3
H114873	4B22	5	150-17	H122182	2D18	2	50-65	H126081	2J4	2	90-15
H114897	2F18	5	70-23	H122372	3E8	8	120-13	H126082	2J4	3	90-15
H114898	2D13	15	50-59	H122372	3F16	6	125-16	H126083	2J4	4	90-15
H114901	2D7	13	50-53	H122650	3I16	11	140-13	H126123	2C9	8	50-27
H114901	2D13	16	50-59	H122772	2E12	24	60-17	H126124	2C9	7	50-27
H114901	2D18	6	50-65	H123297	1B16	3	20-11	H126261	3D18	6	110-41
H115031	3B9	2	95-3	H123351	4E16	2	170-13	H126302	3D18	11	110-41
H115049	2C13	18	50-31	H123351	4E18	14	170-15	H126370	3C16	25	110-15
H115052	2C13	27	50-31	H123633	3C24	23	110-23	H126564	3J6	15	140-27
H115060	2C11	6	50-29	H123638	3C24	21	110-23	H126572	2C4	12	50-21
H115379	3H13	26	135-13	H123734	3D8	9	110-31	H126573	2C4	12	50-21
H115521	3B9	10	95-3	H123740	2I25	21	90-11	H126575	2C4	12	50-21
H115521	3B11	4	95-5	H123794	2J2	5	90-13	H126589	3B11	28	95-5
H116188	2K2	5	90-39	H123796	2I25	25	90-11	H126590	3B11	3	95-5
H116213	2E23	9	70-3	H123874	2J17	20	90-29	H126792	3I16	27	140-13
H116213	2G2	10	70-31	H123875	2J17	25	90-29	H126793	3I16	16	140-13
H116292	4B22	2	150-17	H123918	3F18	21	125-19	H127067	4E25	..	170-22
H116292	4B22	3	150-17	H123918	3J2	33	140-23	H127068	4E25	..	170-22
H116351	4C4	9	150-23	H123991	2I25	12	90-11	H127070	4E25	..	170-22
H116639	4E24	1	170-21	H123995	2I25	18	90-11	H127073	4E25	..	170-22
H116740	1H6	7	40-53	H123995	2K13	7	90-51	H127074	4E25	..	170-22
H116862	3C18	16	110-17	H123998	3B11	8	95-5	H127075	4E25	..	170-22
H117239	2K2	35	90-39	H124185	3B9	11	95-3	H127078	4E25	..	170-22
H117952	1G3	..	40-25	H124205	1H2	9	40-49	H127159	3I10	9	140-7
H117952	1G6	..	40-29	H124210	2I23	15	90-9	H127749	2J21	17	90-33
H117953	3D23	5	120-3	H124258	2D22	18	60-3	H127752	2E2	10	60-7
H118166	2J15	4	90-27	H124258	2D24	8	60-5	H127872	3J22	11	140-44
H118426	1F25	51	40-21	H124259	2D24	7	60-5	H127978	3B11	23	95-5
H118426	1F25	52	40-21	H124260	2I21	10	90-7	H127998	4B24	16	150-19
H118619	3B11	19	95-5	H125330	2C7	16	50-25	H127998	4C2	16	150-21
H118871	3B11	13	95-5	H125347	1H6	4	40-53	H128265	3J23	5	140-45
H118872	3B11	14	95-5	H125354	3I12	10	140-9	H128315	4E18	5	170-15
H118882	2C7	21	50-25	H125354	3I14	10	140-11	H128576	3G15	13	130-19
H118906	3I6	22	140-3	H125356	3I12	19	140-9	H128820	1G18	10	40-41
H118919	3J6	28	140-27	H125356	3I14	19	140-11	H128821	1G18	12	40-41
H118920	3J6	27	140-27	H125403	2G7	5	70-36	H128823	1G18	25	40-41
H118927	3J6	14	140-27	H125403	2G18	12	70-47	H128841	1G18	18	40-41
H119007	2J13	15	90-25	H125511	2I23	3	90-9	H128859	1G18	26	40-41
H119028	3I12	22	140-9	H125518	2J23	1	90-35	H128859	2K13	8	90-51
H119028	3I14	22	140-11	H125560	3K3	7	140-50	H128861	4B20	1	150-15
H119029	3I12	22	140-9	H125733	3I12	27	140-9	H128877	3E15	19	120-21
H119029	3I14	22	140-11	H125733	3I14	27	140-11	H128877	3G5	8	130-8
H119030	3I12	22	140-9	H125734	3I16	24	140-13	H128877	3G19	6	130-23
H119030	3I14	22	140-11	H125735	3I16	24	140-13	H128937	3I12	38	140-9
H119031	3I12	22	140-9	H125736	3I16	24	140-13	H129094	4E25	..	170-22
H119031	3I14	22	140-11	H125737	3I16	24	140-13	H129099	4E25	..	170-22
H119187	3C20	32	110-19	H125738	3I16	17	140-13	H129207	3J19	12	140-41
H119362	3B11	20	95-5	H125740	3I10	18	140-7	H129207	3J22	10	140-44
H119411	2I2	5	80-27	H125740	3I12	26	140-9	H129207	3K3	10	140-50
H119566	4B22	9	150-17	H125740	3I14	26	140-11	H129208	3C18	17	110-17
H119567	4B22	9	150-17	H125741	3I10	18	140-7	H129208	3J11	7	140-33
H119568	4B22	9	150-17	H125741	3I12	26	140-9	H129208	3K7	11	140-55
H119709	3D4	11	110-27	H125741	3I14	26	140-11	H129328	3I6	20	140-3
H120082	2I2	13	80-27	H125742	3I10	18	140-7	H129367	2J15	22	90-27
H120388	2D24	6	60-5	H125742	3I12	26	140-9	H129525	2B25	34	50-17
H120389	2D24	5	60-5	H125742	3I14	26	140-11	H129557	2C7	20	50-25

NUMERICAL INDEX - CONTINUED

PART NO.	GRID	KEY	PAGE	PART NO.	GRID	KEY	PAGE	PART NO.	GRID	KEY	PAGE
H129558	2C2	21	50-19	H132513	1F23	4	40-19	H133635	2B12	10	50-4
H129564	2B25	26	50-17	H132513	1F23	27	40-19	H133635	4D4	7	160-3
H129564	2C2	11	50-19	H132538	3B15	9	95-9	H133636	2J23	9	90-35
H129565	2B25	27	50-17	H132542	4B15	8	150-9	H133645	1I4	2	40-76
H129606	3B15	1	95-9	H132597	1G16	8	40-39	H133660	2J23	8	90-35
H129610	2K7	17	90-44	H132618	2C2	13	50-19	H133662	2J23	14	90-35
H129653	4B18	20	150-13	H132686	1I2	7	40-74	H133665	2I21	9	90-7
H129716	3D10	18	110-33	H132687	1I2	3	40-74	H133666	2I21	11	90-7
H129716	4B18	11	150-13	H132687	1I8	6	40-80	H133675	3I8	13	140-5
H129760	2K7	15	90-44	H132800	1H16	4	40-63	H133843	3C24	4	110-23
H129761	2K7	4	90-44	H132825	3C16	7	110-15	H133851	2G17	11	70-46
H129763	2K7	7	90-44	H132892	2B25	12	50-17	H133852	2G17	2	70-46
H129765	3I6	23	140-3	H132892	2C2	3	50-19	H133981	2G17	9	70-46
H129844	3J6	20	140-27	H132893	2B25	12	50-17	H133989	3C24	29	110-23
H129854	2C7	17	50-25	H132893	2C2	3	50-19	H134000	1H4	2	40-51
H129887	3B9	21	95-3	H132894	2B25	12	50-17	H134002	3D8	3	110-31
H129887	3B11	15	95-5	H132894	2C2	3	50-19	H134114	2B14	3	50-6
H129934	3I10	35	140-7	H132895	2J19	7	90-31	H134114	2B15	6	50-7
H129935	3I10	39	140-7	H132897	2J19	27	90-31	H134114	2B17	2	50-9
H130040	3D2	18	110-25	H132899	2J19	20	90-31	H134114	4D24	8	160-25
H130137	4B18	15	150-13	H132899	2K13	16	90-51	H134118	3F7	21	125-7
H130140	3I10	10	140-7	H132900	1H22	1	40-69	H134118	3F15	20	125-15
H130287	2B12	7	50-4	H132900	1I2	5	40-74	H134140	3C24	16	110-23
H130287	2B13	5	50-5	H132900	1I8	3	40-80	H134214	1B9	13	20-3
H130287	4D4	4	160-3	H132906	3G17	10	130-21	H134335	3D23	10	120-3
H130288	2B12	8	50-4	H132906	3G21	5	130-25	H134338	3D23	15	120-3
H130288	2B13	6	50-5	H132937	2F22	8A	70-27	H134343	2E2	8	60-7
H130288	4D4	3	160-3	H132938	2F22	4	70-27	H134353	2J17	23	90-29
H130298	1H22	5	40-69	H132970	3I6	19	140-3	H134442	4E22	5	170-19
H130298	2K13	12	90-51	H132986	3D6	28	110-29	H134442	4E24	2	170-21
H130299	1H22	4	40-69	H132988	3D6	25	110-29	H134444	2B12	18	50-4
H130301	2I25	22	90-11	H132995	3I16	19	140-13	H134444	2B13	11	50-5
H130407	2C4	6	50-21	H133010	2C2	10	50-19	H134444	2C5	3	50-23
H130409	3J6	29	140-27	H133042	2H23	12	80-22	H134535	4E20	1	170-17
H130530	4B9	16	150-3	H133047	2J23	20	90-35	H134549	2B10	13	50-2
H130637	1I4	1	40-76	H133060	3D6	24	110-29	H134549	2B11	13	50-3
H130646	2J21	9	90-33	H133106	2J17	15	90-29	H134620	4E25	..	170-22
H130695	3F16	4	125-16	H133143	3F24	14	130-3	H134623	2J17	45	90-29
H130771	4B20	8	150-15	H133143	3G21	8	130-25	H134624	2J17	44	90-29
H130771	4C6	6	150-25	H133161	2B25	32	50-17	H134671	2J4	9	90-15
H130826	3C24	17	110-23	H133165	2B25	22	50-17	H134760	3G4	3	130-7
H131040	2J23	6	90-35	H133178	1H21	11	40-68	H134760	3G15	17	130-19
H131041	2J23	7	90-35	H133199	3J15	4	140-37	H134760	3K2	4	140-49
H131087	3D8	13	110-31	H133202	2C4	14	50-21	H135112	2B22	5	50-14
H131088	3D8	15	110-31	H133205	2J17	1	90-29	H135141	4E25	..	170-22
H131098	3J23	6	140-45	H133205	2J19	14	90-31	H135155	3D2	46	110-25
H131186	2J17	31	90-29	H133210	2J21	7	90-33	H135156	3D2	42	110-25
H131296	2B25	11	50-17	H133219	2J4	17	90-15	H135167	4E25	..	170-22
H131297	2B25	14	50-17	H133229	2B12	15	50-4	H135192	4B18	24	150-13
H131300	2I21	12	90-7	H133229	2B13	8	50-5	H135193	4B18	26	150-13
H131356	4C4	2	150-23	H133229	2C5	2	50-23	H135211	2C13	11	50-31
H131424	2J13	22	90-25	H133231	2B12	17	50-4	H135212	2C13	40	50-31
H131424	2K13	15	90-51	H133351	2E6	27	60-11	H135213	2C13	37	50-31
H131574	2I21	17	90-7	H133351	4D22	27	160-23	H135214	2C13	38	50-31
H131673	4B15	3	150-9	H133384	1H23	2	40-70	H135215	2C13	5	50-31
H131674	4B15	15	150-9	H133384	1H24	2	40-71	H135235	3G15	25	130-19
H131675	4B15	2	150-9	H133384	1H25	2	40-72	H135309	3G17	12	130-21
H131743	2I9	11	80-35	H133384	1I1	5	40-73	H135410	3E20	21	120-27
H131754	2B12	16	50-4	H133391	2I21	2	90-7	H135454	3G9	2	130-13
H131754	2B13	9	50-5	H133414	2J4	5	90-15	H135497	2C14	27	50-33
H131754	2C5	5	50-23	H133514	2K7	10	90-44	H135566	2E23	12	70-3
H131982	2I25	8	90-11	H133598	3F7	34	125-7	H135569	2E23	1	70-3
H132161	3F7	8	125-7	H133598	3F20	14	125-21	H135570	2C14	9	50-33
H132161	3F11	16	125-11	H133600	3F15	21	125-15	H135571	2C18	21	50-37
H132328	3C10	24	110-9	H133601	3F15	21	125-15	H135614	2I21	1	90-7
H132451	2I23	16	90-9	H133603	3J20	3	140-42	H135615	2I21	6	90-7
H132513	1F23	2	40-19	H133621	3F20	12	125-21	H135641	2G11	4	70-40

NUMERICAL INDEX - CONTINUED

PART NO.	GRID	KEY	PAGE	PART NO.	GRID	KEY	PAGE	PART NO.	GRID	KEY	PAGE
H135641	2G12	2	70-41	H137919	3G11	12	130-15	H141549	3C20	2	110-19
H135695	2C13	41	50-31	H137939	4E18	15	170-15	H141549	3C22	15	110-21
H135700	2C11	4	50-29	H137940	4E25	..	170-22	H141835	3C24	5	110-23
H135700	2C18	3	50-37	H138297	2I23	20	90-9	H141869	2E4	11	60-9
H135702	2C18	6	50-37	H138435	3G15	20	130-19	H141946	2J17	53	90-29
H135706	2C14	2	50-33	H138435	3G17	7	130-21	H141955	1H23	1	40-70
H135773	1H16	10	40-63	H138435	3J16	8	140-38	H141955	1H24	1	40-71
H135777	2F12	24	70-17	H138435	3K5	20	140-53	H141955	1H25	1	40-72
H135777	2F14	24	70-19	H138606	2B14	2	50-6	H141955	1I1	6	40-73
H135891	1B17	5	20-12	H138607	2B14	1	50-6	H142030	2B25	8	50-17
H135891	2J11	2	90-22	H138607	2B15	4	50-7	H142031	2B25	37	50-17
H135891	3D2	34	110-25	H138607	2B17	5	50-9	H142045	2C9	5	50-27
H135891	3D14	14	110-37	H138607	4D24	5	160-25	H142141	3H7	13	135-7
H135891	3E4	3	120-9	H138753	3D8	16	110-31	H142167	1H2	5	40-49
H135891	3E10	4	120-15	H138900	2C11	5	50-29	H142168	1H2	2	40-49
H135891	3E15	12	120-21	H138901	2C18	5	50-37	H142169	1H2	10	40-49
H135891	3E18	2	120-24	H139098	3D8	19	110-31	H142721	2D19	2	50-66
H135891	3E23	4	120-30	H139132	3J15	7	140-37	H142869	3D2	33	110-25
H135891	3H4	30	135-3	H139603	4E24	2	170-21	H142870	3D2	24	110-25
H135891	3J23	7	140-45	H140135	2E6	9	60-11	H143354	3D4	14	110-27
H135891	3K5	3	140-53	H140135	2E7	1	60-12	H143358	3D14	9	110-37
H135891	4B9	21	150-3	H140195	3C7	32	110-5	H143407	3C24	20	110-23
H135891	4C14	5	155-7	H140195	3C10	32	110-9	H143408	2C2	12	50-19
H135942	2C2	12	50-19	H140248	1I5	3	40-77	H143409	2B25	32	50-17
H135943	2B25	28	50-17	H140315	4D22	9	160-23	H143460	2I25	19	90-11
H135944	2C2	9	50-19	H140380	1B12	12	20-7	H143489	3C22	2	110-21
H135964	2F16	11	70-21	H140397	3J15	3	140-37	H143632	2K2	26	90-39
H135965	2H22	20	80-21	H140461	1B10	12	20-4	H143632	4E25	..	170-22
H136011	2K6	15	90-43	H140595	2D22	5	60-3	H143731	3G13	9	130-17
H136013	3C24	3	110-23	H140627	1I1	3	40-73	H144032	2G17	8	70-46
H136014	1E23	18	30-19	H140627	2K13	14	90-51	H144052	3C24	12	110-23
H136014	2I9	1	80-35	H140628	1I1	2	40-73	H144063	3C24	9	110-23
H136014	2I11	22	80-37	H140664	1G12	1	40-35	H144201	3D8	21	110-31
H136015	1E23	19	30-19	H140664	1G22	3	40-45	H144242	1H2	3	40-49
H136015	3C24	6	110-23	H140691	2D22	21	60-3	H144256	1H4	7	40-51
H136056	2J4	19	90-15	H140692	2D22	11	60-3	H144342	2G8	12	70-37
H136110	1I3	6	40-75	H140694	2D22	27	60-3	H144385	2C2	19	50-19
H136110	2K9	3	90-47	H140695	2D22	28	60-3	H144472	2I25	3	90-11
H136110	3H11	13	135-11	H140696	2D22	29	60-3	H144472	2K4	18	90-41
H136115	2B10	15	50-2	H140708	2D22	12	60-3	H144667	3G2	8	130-5
H136126	2K6	13	90-43	H140709	4E24	1	170-21	H144692	1B12	20	20-7
H136127	2K6	12	90-43	H140710	4E24	1	170-21	H144692	4E16	9	170-13
H136144	3D6	27	110-29	H140711	4E24	1	170-21	H144762	3I12	30	140-9
H136163	2C16	27	50-35	H140712	2D22	20	60-3	H144825	3D2	4	110-25
H136179	3H4	18	135-3	H140713	2D22	30	60-3	H144834	3I10	30	140-7
H136179	3H19	19	135-19	H140715	1B10	11	20-4	H145001	3J6	6	140-27
H136186	3G11	10	130-15	H140715	2D22	19	60-3	H145051	2F6	25	70-11
H136209	3G9	8	130-13	H140715	2I11	17	80-37	H145051	2F10	15	70-15
H136541	3B15	7	95-9	H140746	2D22	8	60-3	H145051	2F12	15	70-17
H136572	4B18	25	150-13	H140747	2D22	9	60-3	H145051	2F14	15	70-19
H136573	4B18	27	150-13	H140749	4E25	..	170-22	H145112	3F5	9	125-5
H136583	4E25	..	170-22	H140750	4E25	..	170-22	H145221	1G16	2	40-39
H136589	2J4	15	90-15	H140751	4E25	..	170-22	H145264	2I25	4	90-11
H136590	2J4	20	90-15	H140768	4E25	..	170-22	H145264	2K4	15	90-41
H137201	1B18	16	20-13	H140836	2J21	19	90-33	H145319	4C6	21	150-25
H137201	4E20	4	170-17	H140872	2I4	5	80-29	H145548	4E3	2	160-28
H137215	3F5	7	125-5	H140881	2I4	1	80-29	H145627	4E24	1	170-21
H137360	2K7	13	90-44	H140944	3J19	13	140-41	H145847	2D22	1	60-3
H137364	4E25	..	170-22	H141069	2D22	16	60-3	H145893	2J4	11	90-15
H137523	2G14	6	70-43	H141123	2H23	5	80-22	H145995	4E24	3	170-21
H137606	3G9	21	130-13	H141292	2I21	13	90-7	H145996	4E25	..	170-22
H137667	2J17	49	90-29	H141315	2J23	15	90-35	H146042	2J19	41	90-31
H137823	4E20	2	170-17	H141327	2J17	9	90-29	H146064	1B10	4	20-4
H137823	4F3	..	170-25	H141411	1F25	39	40-21	H146088	2D19	1	50-66
H137823	4F5	..	170-27	H141422	2D22	34	60-3	H146089	2D19	1	50-66
H137859	2J8	5	90-19	H141450	4B24	17	150-19	H146327	2D22	13	60-3
H137916	3G11	6	130-15	H141450	4C2	17	150-21	H146391	2J19	22	90-31

NUMERICAL INDEX - CONTINUED

PART NO.	GRID	KEY	PAGE	PART NO.	GRID	KEY	PAGE	PART NO.	GRID	KEY	PAGE
H146392	2J19	21	90 - 31	H149100	4E25	..	170 - 22	H151917	3I20	39	140 - 17
H146429	3B11	27	95 - 5	H149103	4E25	..	170 - 22	H152057	3F16	2	125 - 16
H146457	2H6	33	80 - 5	H149459	3D2	7	110 - 25	H152062	3C24	27	110 - 23
H146457	3D14	10	110 - 37	H149460	3D2	8	110 - 25	H152089	2E14	22	60 - 19
H146457	3F18	3	125 - 19	H149461	3D2	2	110 - 25	H152147	3F15	19	125 - 15
H146640	2B22	4	50 - 14	H149461	3D2	3	110 - 25	H152150	3F7	22	125 - 7
H146646	2C4	22	50 - 21	H149480	2I18	1	90 - 3	H152151	3F7	22	125 - 7
H146766	3C22	20	110 - 21	H149480	4E20	6	170 - 17	H152161	3E10	13	120 - 15
H146868	4D4	6	160 - 3	H149517	3D2	27	110 - 25	H152164	2D22	7	60 - 3
H146950	2G17	16	70 - 46	H149518	3D2	26	110 - 25	H152165	2D24	20	60 - 5
H147482	3D4	19	110 - 27	H149523	3D2	19	110 - 25	H152166	2D24	14	60 - 5
H147593	3D4	15	110 - 27	H149780	4B24	1	150 - 19	H152170	2J19	25	90 - 31
H147752	4C4	21	150 - 23	H149780	4C2	1	150 - 21	H152171	2J19	4	90 - 31
H148018	3D23	4	120 - 3	H150047	2J4	10	90 - 15	H152172	2J17	10	90 - 29
H148019	3D23	3	120 - 3	H150054	2F19	1	70 - 24	H152173	2J17	2	90 - 29
H148132	3C5	24	110 - 3	H150080	3I22	7	140 - 19	H152174	2J17	12	90 - 29
H148132	3C12	8	110 - 11	H150119	3B12	..	95 - 6	H152205	2F19	11	70 - 24
H148133	3C5	25	110 - 3	H150119	4E18	19	170 - 15	H152238	4F3	..	170 - 25
H148133	3C12	9	110 - 11	H150158	3J2	21	140 - 23	H152239	4F1	..	170 - 23
H148134	3C5	29	110 - 3	H150201	3I20	28	140 - 17	H152239	4F2	..	170 - 24
H148134	3C12	13	110 - 11	H150201	3I22	20	140 - 19	H152239	4F3	..	170 - 25
H148187	3D14	4A	110 - 37	H150222	2D7	14	50 - 53	H152239	4F5	..	170 - 27
H148270	1H20	1	40 - 67	H150222	2D18	7	50 - 65	H152240	4F1	..	170 - 23
H148271	1H20	6	40 - 67	H150223	2D7	18	50 - 53	H152240	4F2	..	170 - 24
H148271	3F5	20	125 - 5	H150223	2D18	8	50 - 65	H152240	4F3	..	170 - 25
H148271	3H23	13	135 - 23	H150268	3F7	38	125 - 7	H152240	4F5	..	170 - 27
H148769	3I12	21	140 - 9	H150268	3F7	39	125 - 7	H152243	4F1	..	170 - 23
H148769	3I14	21	140 - 11	H150268	3F7	39	125 - 7	H152243	4F2	..	170 - 24
H148925	3D23	11	120 - 3	H150368	3I20	7	140 - 17	H152243	4F3	..	170 - 25
H148998	3D2	5	110 - 25	H150383	2J19	15	90 - 31	H152243	4F5	..	170 - 27
H149062	4E10	1	170 - 7	H150385	3B11	25	95 - 5	H152256	4D18	28	160 - 19
H149062	4E14	2	170 - 11	H150411	2G8	3	70 - 37	H152305	3E17	15	120 - 23
H149063	3C24	26	110 - 23	H150412	2G8	6	70 - 37	H152403	1B16	6	20 - 11
H149063	4E6	2	170 - 3	H150434	4E16	3	170 - 13	H152409	4D13	7	160 - 12
H149063	4E8	2	170 - 5	H150434	4E18	13	170 - 15	H152410	4D16	6	160 - 16
H149064	2K6	16	90 - 43	H150458	3D14	13	110 - 37	H152527	3F20	7	125 - 21
H149064	4E8	3	170 - 5	H150502	3I22	12	140 - 19	H152528	3F20	17	125 - 21
H149064	4E10	4	170 - 7	H150503	3I22	2	140 - 19	H152532	3F18	4	125 - 19
H149065	4E12	5	170 - 9	H150609	3I22	10	140 - 19	H152534	3F18	1	125 - 19
H149066	4E8	4	170 - 5	H150646	4E24	1	170 - 21	H152536	3F3	16	125 - 3
H149067	4E8	10	170 - 5	H150662	3C10	18	110 - 9	H152538	3F16	1	125 - 16
H149074	4E25	..	170 - 22	H150693	3I20	26	140 - 17	H152546	3F3	11	125 - 3
H149075	4E25	..	170 - 22	H150781	3J25	2	140 - 47	H152599	3E8	13	120 - 13
H149076	4E25	..	170 - 22	H150782	3J25	16	140 - 47	H152664	2J13	23	90 - 25
H149077	4E25	..	170 - 22	H150783	3J25	12	140 - 47	H152673	2J13	6	90 - 25
H149078	4E25	..	170 - 22	H150795	3J18	4	140 - 40	H152709	4B20	4	150 - 15
H149079	4E25	..	170 - 22	H150796	3J9	5	140 - 31	H152740	4D13	3	160 - 12
H149088	1B12	25	20 - 7	H150799	3J23	8A	140 - 45	H152741	4D8	1	160 - 7
H149088	1B18	17	20 - 13	H150800	3J23	8B	140 - 45	H152741	4D12	10	160 - 11
H149088	4E6	1	170 - 3	H150803	3J19	11	140 - 41	H152741	4D13	1	160 - 12
H149088	4E10	2	170 - 7	H150804	3F5	1	125 - 5	H152742	4D16	3	160 - 16
H149089	4E25	..	170 - 22	H150846	3K5	18	140 - 53	H152743	4D15	10	160 - 15
H149090	4E12	1	170 - 9	H151146	1B9	28	20 - 3	H152743	4D16	1	160 - 16
H149091	4E25	..	170 - 22	H151397	4E14	3	170 - 11	H152745	4D6	1	160 - 5
H149092	2G11	6	70 - 40	H151575	4E24	5	170 - 21	H152866	4C6	9	150 - 25
H149092	2G12	5	70 - 41	H151585	2D11	8	50 - 57	H152914	3F24	30	130 - 3
H149092	4E8	5	170 - 5	H151585	2F4	1	70 - 9	H152914	3G5	10	130 - 8
H149092	4E18	9	170 - 15	H151592	3I20	19	140 - 17	H152914	3G19	14	130 - 23
H149092	4E22	1	170 - 19	H151607	3D2	15	110 - 25	H152916	3F24	10	130 - 3
H149096	3H15	18	135 - 15	H151607	4E12	4	170 - 9	H152916	3G5	11	130 - 8
H149096	4E6	5	170 - 3	H151608	4D18	26	160 - 19	H152916	3G19	15	130 - 23
H149096	4E8	6	170 - 5	H151608	4D18	37	160 - 19	H152923	4B14	4	150 - 8
H149096	4E10	5	170 - 7	H151629	2G8	8	70 - 37	H152924	3I10	25	140 - 7
H149097	4E25	..	170 - 22	H151671	4F1	..	170 - 23	H152940	3F24	27	130 - 3
H149098	4E25	..	170 - 22	H151671	4F2	..	170 - 24	H153132	3F18	12	125 - 19
H149099	4E6	4	170 - 3	H151671	4F3	..	170 - 25	H153145	4C6	15	150 - 25
H149099	4E8	7	170 - 5	H151671	4F5	..	170 - 27	H153349	3B11	9	95 - 5
				H151694	2G8	11	70 - 37				

1L10

9650 STS AND 9750 STS SELF-PROPELLED COMBINES

NUMERICAL INDEX - CONTINUED

PART NO.	GRID	KEY	PAGE	PART NO.	GRID	KEY	PAGE	PART NO.	GRID	KEY	PAGE
H153352	2I25	4	90 - 11	H155777	2D11	11	50 - 57	H157101	2F22	8B	70 - 27
H153352	2K4	16	90 - 41	H155859	3E10	8	120 - 15	H157103	3H7	17	135 - 7
H153358	2K2	34	90 - 39	H155968	3F24	24	130 - 3	H157104	1B9	1	20 - 3
H153394	2J2	8	90 - 13	H156088	3E12	6	120 - 17	H157104	4F10	2	170 - 32
H153438	3B9	6	95 - 3	H156088	3E12	11	120 - 17	H157105	1B10	13	20 - 4
H153443	2J15	21	90 - 27	H156090	3C7	34	110 - 5	H157105	4F10	1	170 - 32
H153453	2J15	18	90 - 27	H156091	3C7	14	110 - 5	H157112	3D2	9	110 - 25
H153457	2J15	19	90 - 27	H156095	3C7	19	110 - 5	H157152	3D14	15	110 - 37
H153479	2J21	5	90 - 33	H156095	3C8	7	110 - 6	H157192	3G13	1	130 - 17
H153480	2J21	4	90 - 33	H156096	3C8	4	110 - 6	H157193	3G7	1	130 - 11
H153521	3F24	6	130 - 3	H156101	3H9	3	135 - 9	H157247	2G16	28	70 - 45
H153674	1E23	23	30 - 19	H156127	4D4	8	160 - 3	H157284	1B12	24	20 - 7
H153721	3B14	9	95 - 8	H156127	4D20	5	160 - 21	H157292	4F5	..	170 - 27
H153722	3B14	10	95 - 8	H156221	4F4	..	170 - 26	H157293	4F3	..	170 - 25
H153728	4E24	4	170 - 21	H156222	4F4	..	170 - 26	H157312	4F5	..	170 - 27
H153761	1E23	20	30 - 19	H156223	4F4	..	170 - 26	H157313	4F3	..	170 - 25
H153888	3B14	7	95 - 8	H156224	4F4	..	170 - 26	H157320	4F5	..	170 - 27
H153889	3B14	8	95 - 8	H156225	4F4	..	170 - 26	H157321	4F3	..	170 - 25
H154009	3F15	15	125 - 15	H156226	4F4	..	170 - 26	H157322	4F5	..	170 - 27
H154016	3F15	1	125 - 15	H156227	4F4	..	170 - 26	H157323	4F3	..	170 - 25
H154056	2H6	25	80 - 5	H156228	4F4	..	170 - 26	H157326	4F5	..	170 - 27
H154071	3G2	27	130 - 5	H156229	4F4	..	170 - 26	H157327	4F3	..	170 - 25
H154071	3G7	..	130 - 11	H156230	4F4	..	170 - 26	H157332	4F5	..	170 - 27
H154113	2H4	11	80 - 3	H156231	4F4	..	170 - 26	H157333	4F3	..	170 - 25
H154114	2H6	13	80 - 5	H156232	4F4	..	170 - 26	H157334	4F5	..	170 - 27
H154128	4F1	..	170 - 23	H156234	4F4	..	170 - 26	H157335	4F3	..	170 - 25
H154128	4F2	..	170 - 24	H156272	3E15	7	120 - 21	H157340	4F5	..	170 - 27
H154128	4F3	..	170 - 25	H156272	3E15	9	120 - 21	H157341	4F3	..	170 - 25
H154128	4F5	..	170 - 27	H156280	3E2	9	120 - 7	H157344	4F5	..	170 - 27
H154154	1B18	20	20 - 13	H156321	3I20	13	140 - 17	H157345	4F3	..	170 - 25
H154331	3D8	22	110 - 31	H156347	4C4	3	150 - 23	H157346	4F5	..	170 - 27
H154370	3G7	..	130 - 11	H156363	2J15	17	90 - 27	H157347	4F3	..	170 - 25
H154485	2H4	8	80 - 3	H156390	2J19	42	90 - 31	H157348	4F5	..	170 - 27
H154486	2H6	15	80 - 5	H156390	4E12	2	170 - 9	H157398	3J22	9	140 - 44
H154608	3H23	14	135 - 23	H156394	3G21	18	130 - 25	H157415	3H13	17	135 - 13
H154636	3G17	5	130 - 21	H156513	2D24	3	60 - 5	H157458	3E22	4	120 - 29
H154696	3G2	15	130 - 5	H156514	2D24	1	60 - 5	H157459	3E22	5	120 - 29
H154697	3G2	17	130 - 5	H156541	3C18	12	110 - 17	H157480	3H7	1	135 - 7
H154698	3G2	16	130 - 5	H156541	3D12	7	110 - 35	H157481	3H7	10	135 - 7
H154720	2C7	14	50 - 25	H156541	3J7	17	140 - 28	H157482	3H7	22	135 - 7
H154723	3J25	17	140 - 47	H156541	4F9	1	170 - 31	H157487	3H7	26	135 - 7
H154723	4F7	2	170 - 29	H156576	3D4	23	110 - 27	H157488	3H7	25	135 - 7
H154731	3G15	26	130 - 19	H156578	3D4	7	110 - 27	H157491	3H5	3	135 - 4
H154731	4F7	8	170 - 29	H156579	3D4	10	110 - 27	H157499	3H4	13	135 - 3
H154755	2D15	12	50 - 61	H156580	3D4	16	110 - 27	H157502	3H4	24	135 - 3
H154756	2D15	13	50 - 61	H156592	3E17	12	120 - 23	H157505	3H4	8	135 - 3
H154757	2I7	14	80 - 33	H156593	3E17	9	120 - 23	H157506	3H4	8	135 - 3
H154792	3C14	12	110 - 13	H156653	3F18	13	125 - 19	H157507	3H4	14	135 - 3
H154792	3C16	24	110 - 15	H156654	3F18	11	125 - 19	H157514	3H13	11	135 - 13
H154800	2G11	9	70 - 40	H156670	3B16	11	95 - 10	H157514	4F9	6	170 - 31
H154800	2G12	6	70 - 41	H156673	3D23	7	120 - 3	H157523	3H13	22	135 - 13
H154928	3E22	3	120 - 29	H156711	3F24	15	130 - 3	H157523	4F9	7	170 - 31
H154928	3F7	36	125 - 7	H156744	3G2	24	130 - 5	H157528	3H4	26	135 - 3
H154928	3F15	27	125 - 15	H156764	1E23	22	30 - 19	H157539	3H13	7	135 - 13
H154937	2J13	8	90 - 25	H156767	3G21	10	130 - 25	H157615	4D8	16	160 - 7
H155040	3E7	2	120 - 12	H156796	3C18	12	110 - 17	H157615	4D12	4	160 - 11
H155047	3E7	3	120 - 12	H156796	3D12	7	110 - 35	H157615	4D15	4	160 - 15
H155048	3E7	5	120 - 12	H156796	3J7	17	140 - 28	H157616	4D8	16	160 - 7
H155049	3E7	1	120 - 12	H156796	4F9	1	170 - 31	H157616	4D12	4	160 - 11
H155062	3K7	10	140 - 55	H156850	3C14	10	110 - 13	H157616	4D15	4	160 - 15
H155307	3K2	26	140 - 49	H156936	3D16	1	110 - 39	H157617	4D8	16	160 - 7
H155427	3G15	6	130 - 19	H156938	3G15	10	130 - 19	H157617	4D12	4	160 - 11
H155459	3C5	5	110 - 3	H156975	3H13	6	135 - 13	H157617	4D15	4	160 - 15
H155510	2J19	46	90 - 31	H157042	3H7	9	135 - 7	H157681	1E23	6	30 - 19
H155510	4E12	3	170 - 9	H157043	3G4	12	130 - 7	H157696	4D8	16	160 - 7
H155577	3E4	7	120 - 9	H157044	3G4	11	130 - 7	H157696	4D12	4	160 - 11
H155578	3E4	12	120 - 9	H157046	1B16	5	20 - 11	H157698	2B17	6	50 - 9

NUMERICAL INDEX - CONTINUED

PART NO.	GRID	KEY	PAGE	PART NO.	GRID	KEY	PAGE	PART NO.	GRID	KEY	PAGE
H157716	4D24	4	160-25	H159224	1B9	24	20-3	H160992	3J11	23	140-33
H157718	4D24	6	160-25	H159224	1B22	24	20-17	H161010	3E20	10	120-27
H157732	3C5	12	110-3	H159280	2H12	12	80-11	H161011	3E20	2	120-27
H157732	4F9	8	170-31	H159281	2H20	6	80-19	H161023	2J6	6	90-17
H157762	3G7	11	130-11	H159324	2H4	32	80-3	H161042	3E8	15	120-13
H157860	3F9	21	125-9	H159347	4F4	..	170-26	H161051	3J18	1	140-40
H157868	4D8	8	160-7	H159348	4F4	..	170-26	H161055	3J18	2	140-40
H157874	3E8	4	120-13	H159349	4F4	..	170-26	H161059	3J18	1	140-40
H157883	1E24	5	30-20	H159371	2I2	1	80-27	H161088	1I4	4	40-76
H157915	4F5	..	170-27	H159511	3J2	29	140-23	H161088	4B13	17	150-7
H157916	4F3	..	170-25	H159512	3F7	9	125-7	H161095	1E23	8	30-19
H157984	4F5	..	170-27	H159533	3C24	11	110-23	H161104	2K2	26	90-39
H157985	4F3	..	170-25	H159534	3C24	19	110-23	H161126	2I23	19	90-9
H158010	4F5	..	170-27	H159615	3D4	18	110-27	H161128	1H23	5	40-70
H158011	4F3	..	170-25	H159616	3D4	8	110-27	H161130	1H24	5	40-71
H158043	4F5	..	170-27	H159623	3F7	13	125-7	H161163	2K2	17	90-39
H158044	4F3	..	170-25	H159632	2H4	21	80-3	H161165	2K2	28	90-39
H158045	4F5	..	170-27	H159636	3B11	26	95-5	H161166	2K2	33	90-39
H158046	4F3	..	170-25	H159721	1B14	16	20-9	H161167	2K2	27	90-39
H158047	4F5	..	170-27	H159741	3F11	1	125-11	H161171	2H12	5	80-11
H158048	4F3	..	170-25	H159743	3B9	8	95-3	H161206	2D15	18	50-61
H158052	4F5	..	170-27	H159784	4C2	2	150-21	H161206	4F2	..	170-24
H158053	4F3	..	170-25	H159791	2B19	11	50-11	H161208	4F1	..	170-23
H158087	4C6	16	150-25	H159793	2F18	20	70-23	H161208	4F3	..	170-25
H158292	1H4	5	40-51	H159806	1F18	7	40-13	H161208	4F5	..	170-27
H158333	3J9	22	140-31	H159815	3J25	15	140-47	H161209	4F1	..	170-23
H158358	3J12	2	140-34	H159818	3C5	37	110-3	H161209	4F2	..	170-24
H158386	3D25	10	120-5	H159864	4C4	14	150-23	H161209	4F3	..	170-25
H158420	3F16	8	125-16	H159887	4D12	15	160-11	H161209	4F5	..	170-27
H158422	3E10	9	120-15	H159975	3C24	2	110-23	H161245	3E17	18	120-23
H158436	2F19	11	70-24	H159975	3D2	13	110-25	H161270	3J7	20	140-28
H158512	3K2	10	140-49	H160032	3F11	13	125-11	H161289	2K9	4	90-47
H158512	4F7	1	170-29	H160032	3F13	10	125-13	H161289	3H11	14	135-11
H158525	3B11	16	95-5	H160269	4F3	..	170-25	H161293	3J7	20	140-28
H158532	2J23	10	90-35	H160270	4F3	..	170-25	H161297	2H12	6	80-11
H158575	3C5	7	110-3	H160294	2I2	18	80-27	H161327	3E6	6	120-11
H158578	3D12	9	110-35	H160295	2I2	2	80-27	H161342	3E15	18	120-21
H158596	2F2	9	70-7	H160296	2H4	29	80-3	H161342	3G5	12	130-8
H158609	3C24	37	110-23	H160296	2I2	28	80-27	H161342	3G13	8	130-17
H158638	2F15	5	70-20	H160376	2I9	7	80-35	H161342	3G19	8	130-23
H158691	2H4	25	80-3	H160448	4F3	..	170-25	H161346	3G13	6	130-17
H158749	2H4	14	80-3	H160465	3J9	17	140-31	H161347	3E2	10	120-7
H158749	2H6	10	80-5	H160466	3J9	19	140-31	H161348	3E2	13	120-7
H158765	3D25	20	120-5	H160476	2I19	1A	90-4	H161388	3D12	15	110-35
H158774	2H4	12	80-3	H160476	2I19	1B	90-4	H161391	3F11	26	125-11
H158817	4B22	25	150-17	H160476	2I19	3B	90-4	H161392	3F7	12	125-7
H158830	3B9	23	95-3	H160476	2I19	5B	90-4	H161397	3E2	12	120-7
H158840	4E18	17	170-15	H160701	4E18	16	170-15	H161398	3E2	3	120-7
H158840	4F2	..	170-24	H160729	2I25	10	90-11	H161399	3E2	8	120-7
H158840	4F3	..	170-25	H160734	3C18	8	110-17	H161415	3K5	16	140-53
H158840	4F5	..	170-27	H160795	4E25	..	170-22	H161447	3E4	14	120-9
H158845	1B9	25	20-3	H160796	4F5	..	170-27	H161529	4C6	1	150-25
H158845	1B10	19	20-4	H160797	4F3	..	170-25	H161534	2C7	1	50-25
H158845	1H6	18	40-53	H160799	2J15	8	90-27	H161540	2C7	30	50-25
H158942	2G8	10	70-37	H160801	3E20	11	120-27	H161541	2C7	29	50-25
H158951	3C24	25	110-23	H160825	3E10	11	120-15	H161542	2C7	29	50-25
H158975	4E6	3	170-3	H160826	3E10	10	120-15	H161543	2C7	29	50-25
H158975	4E8	8	170-5	H160831	3J11	26	140-33	H161544	3D12	20	110-35
H158975	4E24	6	170-21	H160831	4F7	4	170-29	H161550	2K2	11	90-39
H158989	3E8	5	120-13	H160869	3D12	9	110-35	H161581	3G13	5	130-17
H159064	3E18	1	120-24	H160880	1H16	11	40-63	H161582	2E17	2	60-22
H159065	3E18	3	120-24	H160880	3H7	30	135-7	H161599	3J9	1	140-31
H159066	3E18	5	120-24	H160905	3E2	6	120-7	H161614	3F11	27	125-11
H159138	4B9	5	150-3	H160905	3E12	3	120-17	H161618	1I3	8	40-75
H159144	3B9	4	95-3	H160905	3E13	1	120-18	H161850	3F7	1	125-7
H159155	2F22	14	70-27	H160953	3C7	11	110-5	H161871	2C7	6	50-25
H159173	4B9	6	150-3	H160987	1E23	9	30-19	H161937	2K2	30	90-39

1L12

9650 STS AND 9750 STS SELF-PROPELLED COMBINES

NUMERICAL INDEX - CONTINUED

PART NO.	GRID	KEY	PAGE	PART NO.	GRID	KEY	PAGE	PART NO.	GRID	KEY	PAGE
H161938	2K2	30	90 - 39	H164062	3I22	9	140 - 19	H165180	4F1	..	170 - 23
H161939	2K2	30	90 - 39	H164086	2H18	7	80 - 17	H165181	4F1	..	170 - 23
H161940	2K2	30	90 - 39	H164089	1F2	9	30 - 23	H165182	4F1	..	170 - 23
H161983	3H13	8	135 - 13	H164089	2H18	9	80 - 17	H165183	4F1	..	170 - 23
H162004	1B9	14	20 - 3	H164139	2H18	14	80 - 17	H165184	4F1	..	170 - 23
H162025	3C24	36	110 - 23	H164140	2H18	8	80 - 17	H165186	4F1	..	170 - 23
H162055	2J17	42	90 - 29	H164152	2I11	19	80 - 37	H165188	4F1	..	170 - 23
H162132	1H6	6	40 - 53	H164165	3I20	12	140 - 17	H165190	4F1	..	170 - 23
H162227	2H4	31	80 - 3	H164200	4B9	7	150 - 3	H165191	4F1	..	170 - 23
H162320	3D10	3	110 - 33	H164213	3K5	25	140 - 53	H165192	4F1	..	170 - 23
H162401	3C20	23	110 - 19	H164222	3H24	5	135 - 24	H165193	4F1	..	170 - 23
H162410	3D2	36	110 - 25	H164259	3I22	11	140 - 19	H165199	4F1	..	170 - 23
H162520	3H11	20	135 - 11	H164260	2K2	31	90 - 39	H165215	2I23	18	90 - 9
H162536	2E6	28	60 - 11	H164271	2H23	3	80 - 22	H165237	3J11	24	140 - 33
H162559	2J25	1	90 - 37	H164272	2H23	2	80 - 22	H165249	2I23	21	90 - 9
H162560	2J25	2	90 - 37	H164281	2H18	10	80 - 17	H165252	1I2	7	40 - 74
H162569	2J17	41	90 - 29	H164343	2G16	22	70 - 45	H165252	1I8	1	40 - 80
H162584	2F2	7	70 - 7	H164491	2H18	11	80 - 17	H165260	2G16	23	70 - 45
H162585	2F2	8	70 - 7	H164518	3J6	33	140 - 27	H165284	4F1	..	170 - 23
H162675	3C16	19	110 - 15	H164559	2E16	1	60 - 21	H165285	4F1	..	170 - 23
H162719	2B14	6	50 - 6	H164561	2E16	5	60 - 21	H165385	3J16	4	140 - 38
H162748	2I21	19	90 - 7	H164562	2E16	10	60 - 21	H165400	2I25	2	90 - 11
H162993	3E8	9	120 - 13	H164572	2H12	9	80 - 11	H165407	3D25	4	120 - 5
H163182	2G6	7	70 - 35	H164574	3F9	26	125 - 9	H165408	3D25	2	120 - 5
H163216	4C22	2	155 - 15	H164574	3F11	18	125 - 11	H165411	1H6	10	40 - 53
H163216	4E16	6	170 - 13	H164574	3F13	12	125 - 13	H165412	2H14	6	80 - 13
H163216	4E18	11	170 - 15	H164575	3F9	29	125 - 9	H165412	2H16	12	80 - 15
H163235	4E16	5	170 - 13	H164575	3F11	17	125 - 11	H165412	2H22	14	80 - 21
H163391	3B14	3	95 - 8	H164575	3F13	11	125 - 13	H165414	2H14	18A	80 - 13
H163397	3B9	3	95 - 3	H164588	4B9	8	150 - 3	H165435	2I11	1	80 - 37
H163398	4E16	1	170 - 13	H164615	2H18	23	80 - 17	H165436	1H8	22	40 - 55
H163401	2K13	11	90 - 51	H164691	4B9	22	150 - 3	H165438	2I11	7	80 - 37
H163410	2F18	9	70 - 23	H164702	3B9	19	95 - 3	H165439	3I20	44	140 - 17
H163491	2B20	6	50 - 12	H164714	3F7	40	125 - 7	H165447	3I20	2	140 - 17
H163492	3F9	3	125 - 9	H164715	3F7	41	125 - 7	H165447	3J7	7	140 - 28
H163498	3B9	22	95 - 3	H164767	2I5	6	80 - 30	H165447	3J9	24	140 - 31
H163500	3D23	9	120 - 3	H164770	2H18	15	80 - 17	H165463	3C7	39	110 - 5
H163557	3C18	5	110 - 17	H164771	1E24	11	30 - 20	H165464	3C7	37	110 - 5
H163561	2B12	3	50 - 4	H164785	3E23	2	120 - 30	H165473	3H21	15	135 - 21
H163603	2F4	5	70 - 9	H164786	3E4	11	120 - 9	H165490	2J2	11	90 - 13
H163604	2G6	14	70 - 35	H164794	2C4	20	50 - 21	H165508	2C4	4	50 - 21
H163612	3D25	8	120 - 5	H164796	3G4	13	130 - 7	H165510	2B12	17	50 - 4
H163612	3E20	7	120 - 27	H164808	1B10	1	20 - 4	H165510	2B13	10	50 - 5
H163652	1C6	2	20 - 27	H164842	3H17	13	135 - 17	H165510	2C5	4	50 - 23
H163653	2I5	2	80 - 30	H164849	1E25	5	30 - 21	H165518	3I20	22	140 - 17
H163692	2C7	23	50 - 25	H164854	1C6	1	20 - 27	H165545	3I20	43	140 - 17
H163693	2C7	23	50 - 25	H164857	3H17	14	135 - 17	H165545	4F9	4	170 - 31
H163694	2C7	9	50 - 25	H164858	3H19	17	135 - 19	H165547	1F2	16	30 - 23
H163726	3C5	40	110 - 3	H164872	1H6	5	40 - 53	H165547	2I7	17	80 - 33
H163726	3C12	11	110 - 11	H164896	3G19	5	130 - 23	H165560	1I5	4	40 - 77
H163731	3H4	1	135 - 3	H164901	1G19	7	40 - 42	H165560	4E18	6	170 - 15
H163732	3H4	2	135 - 3	H164904	3H19	16	135 - 19	H165560	4F2	..	170 - 24
H163745	2C7	29	50 - 25	H164952	2K2	3	90 - 39	H165560	4F3	..	170 - 25
H163825	3H17	11	135 - 17	H165008	3D25	13	120 - 5	H165560	4F5	..	170 - 27
H163826	3H17	12	135 - 17	H165016	1B22	13	20 - 17	H165570	4F1	..	170 - 23
H163885	2F2	15	70 - 7	H165045	3E2	15	120 - 7	H165571	4F1	..	170 - 23
H163999	4D8	12	160 - 7	H165066	3E2	18	120 - 7	H165584	3H7	8	135 - 7
H164000	4D12	7	160 - 11	H165068	3E2	16	120 - 7	H165589	3F3	1	125 - 3
H164000	4D15	6	160 - 15	H165072	3J16	13	140 - 38	H165652	3H15	7	135 - 15
H164001	4D8	15	160 - 7	H165072	4F7	6	170 - 29	H165662	2B12	19	50 - 4
H164001	4D12	3	160 - 11	H165112	2H4	7	80 - 3	H165663	2B12	19	50 - 4
H164001	4D15	3	160 - 15	H165112	2H4	24	80 - 3	H165664	2B12	19	50 - 4
H164002	4D8	18	160 - 7	H165112	2H6	14	80 - 5	H165665	2B12	19	50 - 4
H164002	4D12	17	160 - 11	H165170	4F1	..	170 - 23	H165665	2C5	6	50 - 23
H164002	4D15	13	160 - 15	H165174	4F1	..	170 - 23	H165666	2B12	19	50 - 4
H164040	2G17	21	70 - 46	H165175	4F1	..	170 - 23	H165666	2C5	6	50 - 23
H164061	3I22	13	140 - 19	H165179	4F1	..	170 - 23	H165675	2I5	5	80 - 30

NUMERICAL INDEX - CONTINUED

PART NO.	GRID	KEY	PAGE	PART NO.	GRID	KEY	PAGE	PART NO.	GRID	KEY	PAGE
H165676	3G19	4	130-23	H167173	2K6	2	90-43	H168301	3H13	14	135-13
H165678	1E19	4	30-15	H167174	2K6	2	90-43	H168301	4F9	5	170-31
H165689	2J2	10	90-13	H167208	3G21	13	130-25	H168302	2I11	11	80-37
H165689	2K13	6	90-51	H167215	3H11	5	135-11	H168303	2I11	12	80-37
H165690	2K2	7	90-39	H167216	3H11	6	135-11	H168323	3H4	27	135-3
H165690	2K13	10	90-51	H167246	3H23	15	135-23	H168323	3H5	2	135-4
H165691	2G14	11	70-43	H167257	3D12	25	110-35	H168327	1F4	7	30-25
H165691	2J6	3	90-17	H167311	2F19	6	70-24	H168343	1F4	5	30-25
H165691	2K13	13	90-51	H167319	3H11	7	135-11	H168343	1F4	8	30-25
H165691	3B13	4	95-7	H167320	3H11	8	135-11	H168359	1B16	2	20-11
H165693	2J17	11	90-29	H167337	2J6	19	90-17	H168376	2I9	15	80-35
H165693	2J19	24	90-31	H167375	2B23	5	50-15	H168392	3H5	1	135-4
H165693	2K13	9	90-51	H167390	3G19	19	130-23	H168424	4C12	1	155-5
H165728	2J13	3	90-25	H167446	4F3	..	170-25	H168433	2J6	17	90-17
H166148	2F15	3	70-20	H167447	4F5	..	170-27	H168462	4E16	7	170-13
H166179	3B9	7	95-3	H167449	3G2	19	130-5	H168463	4E16	7	170-13
H166181	3D25	3	120-5	H167451	3C20	1	110-19	H168463	4E18	21	170-15
H166201	2C5	7	50-23	H167457	3H7	14	135-7	H168475	3F11	14	125-11
H166206	2I2	26	80-27	H167521	4B13	9	150-7	H168475	3F13	9	125-13
H166216	3C10	11	110-9	H167522	4B13	1	150-7	H168476	2B19	10	50-11
H166313	3D16	6	110-39	H167535	2H22	15A	80-21	H168476	2E16	22	60-21
H166331	2H10	11	80-9	H167564	3H11	12	135-11	H168480	1F2	1	30-23
H166352	3F9	2	125-9	H167565	3H11	11	135-11	H168499	3J7	16	140-28
H166353	3F9	4	125-9	H167587	3F5	8	125-5	H168505	2D7	24	50-53
H166354	3F9	1	125-9	H167632	4B13	8	150-7	H168532	3H15	15	135-15
H166355	3F9	5	125-9	H167633	4B13	5	150-7	H168533	3H15	13	135-15
H166383	3D25	12	120-5	H167647	3C22	18	110-21	H168534	3H15	16	135-15
H166383	3E20	3	120-27	H167648	3C20	18	110-19	H168536	3H15	17	135-15
H166385	1E24	16	30-20	H167680	2K11	3	90-49	H168556	4B13	16	150-7
H166413	3J2	26	140-23	H167681	2K11	7	90-49	H168578	3G2	6	130-5
H166421	2F19	5	70-24	H167686	2H22	7A	80-21	H168616	2H10	10	80-9
H166431	2D2	18	50-47	H167691	4E16	8	170-13	H168732	3D12	29	110-35
H166437	1B9	12	20-3	H167691	4F2	..	170-24	H168741	3H21	12	135-21
H166440	1B9	9	20-3	H167691	4F3	..	170-25	H168744	2B12	1	50-4
H166457	3C5	12	110-3	H167691	4F5	..	170-27	H168745	2B12	1	50-4
H166457	4F9	8	170-31	H167714	2H16	17A	80-15	H168755	2K2	24	90-39
H166462	1E24	15	30-20	H167716	3G7	5	130-11	H168757	2K2	25	90-39
H166499	1H6	9	40-53	H167717	3G7	5	130-11	H168781	2J6	2	90-17
H166502	1F2	8	30-23	H167717	4C14	23	155-7	H168854	2D11	13	50-57
H166513	2H18	12	80-17	H167718	4E18	20	170-15	H168854	2F4	16	70-9
H166569	3K5	13	140-53	H167719	4E16	10	170-13	H168870	3B13	1	95-7
H166593	1E23	16	30-19	H167720	4E18	12	170-15	H168871	3B13	6	95-7
H166637	3F7	6	125-7	H167721	4E16	11	170-13	H168895	4B11	4	150-5
H166638	2I11	16	80-37	H167722	2C7	27	50-25	H168896	4B11	2	150-5
H166639	2I11	18	80-37	H167723	2C7	12	50-25	H168897	4B11	8	150-5
H166689	3D25	4	120-5	H167792	3I10	47	140-7	H168900	3H15	4	135-15
H166750	2D7	10	50-53	H167815	3C20	10	110-19	H168924	1H20	2	40-67
H166750	2F18	4	70-23	H167815	3C22	4	110-21	H168924	3H23	16	135-23
H166759	3J17	15	140-39	H167912	2J6	4	90-17	H168925	3D19	1	110-42
H166759	4F7	5	170-29	H167920	3F7	17	125-7	H168933	2E7	6	60-12
H166769	1H3	3	40-50	H167921	3H21	10	135-21	H168935	1F2	2	30-23
H166791	2I11	14	80-37	H167975	3D19	4	110-42	H168936	1E24	14	30-20
H166792	2I11	20	80-37	H167988	2E4	17	60-9	H168937	1E24	13	30-20
H166794	1H3	4	40-50	H168019	3G19	21	130-23	H168961	2C9	15	50-27
H166806	2I9	9	80-35	H168125	3C10	14	110-9	H168983	4B13	13	150-7
H166838	2K2	18	90-39	H168126	3C5	7	110-3	H168986	3B9	15	95-3
H166839	2K2	13	90-39	H168131	3I22	8	140-19	H168988	2C9	16	50-27
H166840	2K2	14	90-39	H168133	2J15	20	90-27	H168988	2C16	23	50-35
H166878	1H10	2	40-57	H168166	2B12	1	50-4	H168992	3F7	1	125-7
H166888	2H25	13	80-25	H168170	2F10	7	70-15	H168993	2I9	8	80-35
H166913	2D7	9	50-53	H168170	2F12	7	70-17	H168994	3C10	2	110-9
H166959	2K2	20	90-39	H168170	2F14	7	70-19	H169067	2K2	23	90-39
H166971	3D12	16	110-35	H168171	2F10	20	70-15	H169082	2J6	9	90-17
H167127	3H9	7	135-9	H168171	2F12	20	70-17	H169083	2J6	8	90-17
H167133	2I2	21	80-27	H168171	2F14	20	70-19	H169086	2H18	13	80-17
H167134	2I2	4	80-27	H168212	2I9	13	80-35	H169087	3B9	16	95-3
H167158	4E16	4	170-13	H168253	1E24	7	30-20	H169108	1H8	19	40-55

1L14

9650 STS AND 9750 STS SELF-PROPELLED COMBINES

NUMERICAL INDEX - CONTINUED

PART NO.	GRID	KEY	PAGE	PART NO.	GRID	KEY	PAGE	PART NO.	GRID	KEY	PAGE
H169108	2I11	4	80 - 37	H170141	3J21	8	140 - 43	H171081	4F2	..	170 - 24
H169128	2E16	6	60 - 21	H170141	3K2	25	140 - 49	H171082	4F2	..	170 - 24
H169146	3E2	17	120 - 7	H170143	3K2	19	140 - 49	H171116	2C14	18	50 - 33
H169149	3I22	5	140 - 19	H170153	3J21	9	140 - 43	H171184	3G7	9	130 - 11
H169194	2I21	7	90 - 7	H170158	1C5	6	20 - 26	H171186	3F5	1	125 - 5
H169283	4E25	..	170 - 22	H170206	3F7	18	125 - 7	H171285	2J25	3	90 - 37
H169287	2B9	9	50 - 1	H170211	2D15	10	50 - 61	H171311	4E18	4	170 - 15
H169287	2B10	9	50 - 2	H170211	4E20	5	170 - 17	H171325	4E22	7	170 - 19
H169287	2B11	9	50 - 3	H170272	2H25	10	80 - 25	H171339	4E22	3	170 - 19
H169344	1B14	15	20 - 9	H170303	3I10	43	140 - 7	H171354	3E22	8	120 - 29
H169344	4E14	1	170 - 11	H170344	3G19	18	130 - 23	H171360	4E22	2	170 - 19
H169403	2J2	9	90 - 13	H170350	3E15	2	120 - 21	H171383	4E22	4	170 - 19
H169412	3G2	8	130 - 5	H170351	3E15	3	120 - 21	H171385	4B18	31	150 - 13
H169467	3E2	7	120 - 7	H170357	4D6	2	160 - 5	H171472	3J9	16	140 - 31
H169488	4E18	18	170 - 15	H170373	2J15	15	90 - 27	H171513	2H6	26	80 - 5
H169489	4E18	18	170 - 15	H170382	2J17	7	90 - 29	H171550	2E8	1	60 - 13
H169509	2G8	5	70 - 37	H170391	3G21	14	130 - 25	H171555	1G16	4	40 - 39
H169512	2I25	15	90 - 11	H170433	1C5	1	20 - 26	H171599	3H21	18	135 - 21
H169516	4E10	3	170 - 7	H170552	4D8	10	160 - 7	H171600	3H21	4	135 - 21
H169538	1F2	6	30 - 23	H170559	1C5	10	20 - 26	H171615	3H21	5	135 - 21
H169613	2I21	8	90 - 7	H170605	2H10	9	80 - 9	H171621	3J7	2	140 - 28
H169618	3H21	11	135 - 21	H170634	1H16	9	40 - 63	H171624	4E18	10	170 - 15
H169622	3H21	3	135 - 21	H170645	3C5	3	110 - 3	H171638	3E12	2	120 - 17
H169634	2J2	13	90 - 13	H170654	2K6	17	90 - 43	H171638	3E13	4	120 - 18
H169634	2J6	21	90 - 17	H170654	4E8	9	170 - 5	H171649	3H21	13	135 - 21
H169689	4E18	1	170 - 15	H170713	1B18	10	20 - 13	H171650	3H21	17	135 - 21
H169689	4F2	..	170 - 24	H170718	4D10	2	160 - 9	H171705	2H14	27	80 - 13
H169689	4F3	..	170 - 25	H170729	2H23	11	80 - 22	H171806	3F9	28	125 - 9
H169689	4F5	..	170 - 27	H170735	2H23	13	80 - 22	H171819	2D7	12	50 - 53
H169690	1E23	17	30 - 19	H170737	3D6	3	110 - 29	H171866	2H14	31	80 - 13
H169735	1E19	8	30 - 15	H170754	3E4	13	120 - 9	H171887	2H10	13	80 - 9
H169736	1E19	10	30 - 15	H170781	3C7	25	110 - 5	H171910	4E18	8	170 - 15
H169836	3F11	4	125 - 11	H170783	1E23	2	30 - 19	H171934	3F9	32	125 - 9
H169836	3F13	2	125 - 13	H170785	1E23	13	30 - 19	H171960	3D14	4B	110 - 37
H169864	2J15	2	90 - 27	H170799	4F1	..	170 - 23	H171963	2H14	8A	80 - 13
H169865	2H14	24	80 - 13	H170800	4F1	..	170 - 23	H171963	2H16	7A	80 - 15
H169879	3H7	33	135 - 7	H170824	3F5	22	125 - 5	H171963	2H22	2A	80 - 21
H169879	3H9	17	135 - 9	H170833	3B9	25	95 - 3	H171998	2E14	20	60 - 19
H169891	3F9	31	125 - 9	H170839	3H15	8	135 - 15	H172003	2I18	4	90 - 3
H169896	2H14	19	80 - 13	H170866	3E2	5	120 - 7	H172045	3G7	15	130 - 11
H169896	2H16	15	80 - 15	H170866	3E4	8	120 - 9	H172113	4C14	21	155 - 7
H169896	2H22	21	80 - 21	H170866	3E10	14	120 - 15	H172142	3D18	10	110 - 41
H169900	2H12	2	80 - 11	H170912	2J15	3A	90 - 27	H172197	1G16	18	40 - 39
H169900	2H12	17	80 - 11	H170967	3G9	14	130 - 13	H172197	2K7	20	90 - 44
H169900	2H25	10	80 - 25	H170982	4E22	6	170 - 19	H172222	3D14	18	110 - 37
H169910	3H7	23	135 - 7	H171004	3G7	4	130 - 11	H172223	2H23	14	80 - 22
H169947	3H7	28	135 - 7	H171004	4C14	10	155 - 7	H172224	3F9	13	125 - 9
H169954	3J2	13	140 - 23	H171011	2K4	21	90 - 41	H172224	3F15	8	125 - 15
H169987	3H23	17	135 - 23	H171030	3J7	3	140 - 28	H172225	3F9	18	125 - 9
H170071	3F11	8	125 - 11	H171034	2H25	3	80 - 25	H172225	3F15	7	125 - 15
H170071	3F13	5	125 - 13	H171037	3E20	19	120 - 27	H172233	3F18	26	125 - 19
H170072	2B14	2	50 - 6	H171039	3J11	6	140 - 33	H172235	3F18	24	125 - 19
H170072	2B15	5	50 - 7	H171040	3J11	8	140 - 33	H172258	2H12	4	80 - 11
H170072	2B17	1	50 - 9	H171061	3C18	4	110 - 17	H172267	3C5	20	110 - 3
H170072	4D24	7	160 - 25	H171061	3H13	13	135 - 13	H172268	2H23	8	80 - 22
H170073	2J15	28	90 - 27	H171061	3J9	8	140 - 31	H172320	2I11	23	80 - 37
H170083	2H14	20A	80 - 13	H171061	3J11	5	140 - 33	H172337	1B12	1	20 - 7
H170103	3J21	7	140 - 43	H171061	3J13	5	140 - 35	H172337	1B18	1	20 - 13
H170104	3H19	10	135 - 19	H171061	3J19	4	140 - 41	H172338	3D25	13	120 - 5
H170105	4E25	..	170 - 22	H171061	3J21	4	140 - 43	H172339	3J12	2	140 - 34
H170106	4F4	..	170 - 26	H171061	3J22	4	140 - 44	H172341	3J11	26	140 - 33
H170115	4E25	..	170 - 22	H171061	3K2	13	140 - 49	H172341	4F7	4	170 - 29
H170116	4F4	..	170 - 26	H171061	3K3	26	140 - 50	H172381	2H18	21	80 - 17
H170117	4E25	..	170 - 22	H171061	3K6	2	140 - 54	H172384	2H18	16	80 - 17
H170118	4F4	..	170 - 26	H171075	3F11	5	125 - 11	H172439	3H7	11	135 - 7
H170125	1B14	19	20 - 9	H171075	3F13	7	125 - 13	H172460	3D16	13	110 - 39
H170133	4E18	7	170 - 15	H171079	4F2	..	170 - 24	H172471	3D10	2	110 - 33

1L15

9650 STS AND 9750 STS SELF-PROPELLED COMBINES

NUMERICAL INDEX - CONTINUED

PART NO.	GRID	KEY	PAGE	PART NO.	GRID	KEY	PAGE	PART NO.	GRID	KEY	PAGE
H172472	3D10	20	110 - 33	H173375	3I20	22	140 - 17	H174284	4F3	..	170 - 25
H172474	3D10	16	110 - 33	H173384	3F24	22	130 - 3	H174284	4F5	..	170 - 27
H172475	3D10	19	110 - 33	H173433	3F11	24B	125 - 11	H174291	3H17	13	135 - 17
H172505	2H22	17	80 - 21	H173433	3F13	18B	125 - 13	H174305	3H4	28	135 - 3
H172549	1I3	5	40 - 75	H173451	3C24	38	110 - 23	H174330	3F9	21	125 - 9
H172614	3H4	23	135 - 3	H173451	3D2	48	110 - 25	H174330	3F9	34	125 - 9
H172643	3H19	21	135 - 19	H173456	3E17	13	120 - 23	H174357	4F4	..	170 - 26
H172760	2J15	10	90 - 27	H173461	2H14	18A	80 - 13	H174361	2E16	8	60 - 21
H172789	2I11	2	80 - 37	H173461	2H14	18B	80 - 13	H174364	3H15	4	135 - 15
H172914	1B12	27	20 - 7	H173462	2H22	15A	80 - 21	H174439	3E18	1	120 - 24
H172923	2D24	20	60 - 5	H173462	2H22	15B	80 - 21	H174440	3E18	5	120 - 24
H172924	2D24	14	60 - 5	H173563	2H25	3	80 - 25	H174485	2H18	15	80 - 17
H172944	2K9	12	90 - 47	H173566	2H25	17	80 - 25	H174745	3F5	7	125 - 5
H172951	3E17	5	120 - 23	H173574	4F1	..	170 - 23	H174995	3E8	5	120 - 13
H172955	3H15	15	135 - 15	H173597	4F1	..	170 - 23	H175330	3G5	15	130 - 8
H172956	2G16	23	70 - 45	H173606	3I22	9	140 - 19	H175351	3F7	6	125 - 7
H172958	3H15	13	135 - 15	H173616	2K9	12	90 - 47	H175547	3C24	2	110 - 23
H173051	3E15	16	120 - 21	H173619	3E12	14	120 - 17	H175547	3D2	13	110 - 25
H173071	4F4	..	170 - 26	H173621	3E12	8	120 - 17	H175703	3C24	4	110 - 23
H173072	4F4	..	170 - 26	H173630	4F1	..	170 - 23	H176083	2K2	18	90 - 39
H173075	4F4	..	170 - 26	H173661	3J2	28	140 - 23	H176465	2B13	12	50 - 5
H173078	4F4	..	170 - 26	H173697	4F3	..	170 - 25	H22784	2C7	15	50 - 25
H173081	4F4	..	170 - 26	H173699	4F3	..	170 - 25	H23196	1C6	5	20 - 27
H173082	4F4	..	170 - 26	H173702	4E25	..	170 - 22	H25099	3J15	6	140 - 37
H173083	4F4	..	170 - 26	H173723	2I4	13	80 - 29	H26552	3J22	13	140 - 44
H173084	4F4	..	170 - 26	H173724	2H23	15	80 - 22	H30843	3F9	23	125 - 9
H173087	4F4	..	170 - 26	H173742	2H14	8A	80 - 13	H30843	3F11	23	125 - 11
H173088	4F4	..	170 - 26	H173742	2H14	8B	80 - 13	H30843	3F13	17	125 - 13
H173089	4F4	..	170 - 26	H173742	2H16	7A	80 - 15	H36155	3F5	18	125 - 5
H173090	4F4	..	170 - 26	H173742	2H16	7B	80 - 15	H36221	2I23	10	90 - 9
H173093	4F4	..	170 - 26	H173742	2H22	2A	80 - 21	H36256	2J17	48	90 - 29
H173094	4F4	..	170 - 26	H173742	2H22	2B	80 - 21	H60821	2G20	12	70 - 49
H173096	4F4	..	170 - 26	H173743	2H14	32	80 - 13	H63271	2C11	3	50 - 29
H173099	4F4	..	170 - 26	H173743	2H16	18	80 - 15	H63271	2C13	17	50 - 31
H173101	4F4	..	170 - 26	H173743	2H22	25	80 - 21	H63271	2C14	26	50 - 33
H173102	4F4	..	170 - 26	H173785	2H14	20A	80 - 13	H63271	2C18	2	50 - 37
H173103	4F4	..	170 - 26	H173785	2H14	20B	80 - 13	H63288	2C19	13	50 - 39
H173104	4F4	..	170 - 26	H173793	3B11	16	95 - 5	H63289	2C14	3	50 - 33
H173106	4F4	..	170 - 26	H173824	4E25	..	170 - 22	H63289	2C19	14	50 - 39
H173111	4E18	18	170 - 15	H173847	4F3	..	170 - 25	H63289	2F24	10	70 - 29
H173124	3I22	17	140 - 19	H173849	4E25	..	170 - 22	H64376	4B18	2	150 - 13
H173146	2J15	..	90 - 27	H173875	4F1	..	170 - 23	H64612	2I2	20	80 - 27
H173162	4E18	2	170 - 15	H173878	4F3	..	170 - 25	H64813	2C18	24	50 - 37
H173162	4F2	..	170 - 24	H173880	4E25	..	170 - 22	H75267	3J6	5	140 - 27
H173162	4F3	..	170 - 25	H173881	4F3	..	170 - 25	H75358	2B25	30	50 - 17
H173162	4F5	..	170 - 27	H173883	4E25	..	170 - 22	H75358	3C7	46	110 - 5
H173163	4E16	4	170 - 13	H173884	4F1	..	170 - 23	H75385	3I10	37	140 - 7
H173163	4F2	..	170 - 24	H173885	4E25	..	170 - 22	H75423	2D2	17	50 - 47
H173163	4F3	..	170 - 25	H173904	3D6	3	110 - 29	H75541	1C4	8	20 - 25
H173163	4F5	..	170 - 27	H173908	4E25	..	170 - 22	H75541	2D13	11	50 - 59
H173213	3H15	15	135 - 15	H173969	1B9	9	20 - 3	H75541	2G14	20	70 - 43
H173223	4B18	37	150 - 13	H173977	1E23	16	30 - 19	H75700	2B23	7	50 - 15
H173255	3D25	13	120 - 5	H174011	1E19	6	30 - 15	H76064	1I4	7	40 - 76
H173257	2H14	35	80 - 13	H174025	2D2	18	50 - 47	H76083	3C24	28	110 - 23
H173257	2H16	21	80 - 15	H174081	2E16	10	60 - 21	H76083	3G5	9	130 - 8
H173258	2H16	17A	80 - 15	H174084	4F3	..	170 - 25	H76152	2B22	7	50 - 14
H173258	2H16	17B	80 - 15	H174086	4E25	..	170 - 22	H77698	1H17	4	40 - 64
H173262	3K3	11	140 - 50	H174140	2B19	1	50 - 11	H77698	2E12	23	60 - 17
H173311	3F24	20	130 - 3	H174140	2B20	3	50 - 12	H77698	2G22	14	70 - 51
H173329	3E4	15	120 - 9	H174181	3E6	6	120 - 11	H77698	3D12	14	110 - 35
H173334	4F3	..	170 - 25	H174192	2J15	3B	90 - 27	H77698	4C4	24	150 - 23
H173335	4F5	..	170 - 27	H174266	4E24	5	170 - 21	H79910	3I10	45	140 - 7
H173336	4E25	..	170 - 22	H174273	3H19	10	135 - 19	H80753	2J17	35	90 - 29
H173337	4F1	..	170 - 23	H174282	2H22	7A	80 - 21	H80821	2E23	10	70 - 3
H173365	2H4	21	80 - 3	H174282	2H22	7B	80 - 21	H80821	2G2	11	70 - 31
H173373	3I20	15	140 - 17	H174284	4F1	..	170 - 23	H81461	2E4	30	60 - 9
H173374	3I22	18	140 - 19	H174284	4F2	..	170 - 24	H82232	2B25	3	50 - 17

1L16

9650 STS AND 9750 STS SELF-PROPELLED COMBINES

NUMERICAL INDEX - CONTINUED

PART NO.	GRID	KEY	PAGE	PART NO.	GRID	KEY	PAGE	PART NO.	GRID	KEY	PAGE
H82232	3C7	43	110 - 5	H97378	3D12	5	110 - 35	JD7298	2C7	19	50 - 25
H82233	2B25	4	50 - 17	H97410	3C5	33	110 - 3	JD7298	4D13	5	160 - 12
H82233	3C7	42	110 - 5	H97410	3C12	15	110 - 11	JD7366	4D18	16	160 - 19
H82234	2B25	2	50 - 17	H98111	2I18	2	90 - 3	JD7378	3I24	22	140 - 21
H82234	3C7	44	110 - 5	H98655	3C16	27	110 - 15	JD7378	3J6	11	140 - 27
H82418	3J19	15	140 - 41	H987R	1G16	7	40 - 39	JD7395	3J6	24	140 - 27
H82418	3J21	11	140 - 43	H987R	2I23	17	90 - 9	JD7418	3J6	23	140 - 27
H82619	3I10	41	140 - 7	H99147	3C18	4	110 - 17	JD7425	2C4	9	50 - 21
H83285	1B12	10	20 - 7	H99147	3H13	13	135 - 13	JD7448	2C21	9	50 - 41
H84026	3D8	4	110 - 31	H99147	3J9	8	140 - 31	JD7448	2E16	14	60 - 21
H84026	3G2	12	130 - 5	H99147	3J11	5	140 - 33	JD7502	2C4	3	50 - 21
H84026	3G15	25	130 - 19	H99147	3J13	5	140 - 35	JD7678	3C7	38	110 - 5
H84374	3D10	10	110 - 33	H99147	3J19	4	140 - 41	JD7681	3G9	13	130 - 13
H84375	2B19	3	50 - 11	H99147	3J21	4	140 - 43	JD7689	3G9	11	130 - 13
H84375	2B20	2	50 - 12	H99147	3J22	4	140 - 44	JD7759	3D12	10	110 - 35
H84942	3D8	18	110 - 31	H99147	3K2	13	140 - 49	JD7759	3I20	29	140 - 17
H84948	2J21	16	90 - 33	H99147	3K3	26	140 - 50	JD7759	3I22	22	140 - 19
H85233	2I21	5	90 - 7	H99147	3K6	2	140 - 54	JD7759	3J4	5	140 - 25
H86108	1E16	11	30 - 12	H99149	3D25	16	120 - 5	JD7759	3J16	11	140 - 38
H86760	3G15	25	130 - 19	H99264	2D24	19	60 - 5	JD7759	3J17	14	140 - 39
H86783	3K2	18	140 - 49	H99294	2J17	46	90 - 29	JD7759	4B18	19	150 - 13
H86896	4E20	3	170 - 17	H99613	4B16	2	150 - 10	JD7759	4D8	13	160 - 7
H871R	3C7	4	110 - 5	IPSKIT1	1C11	..	25 - 2	JD7759	4D12	1	160 - 11
H871R	3C10	4	110 - 9	JD10010	3C10	15	110 - 9	JD7759	4D15	1	160 - 15
H87206	3J23	3	140 - 45	JD10011	3C10	21	110 - 9	JD7760	2C7	8	50 - 25
H87691	2B12	6	50 - 4	JD10018	3D12	4	110 - 35	JD7763	4D6	3	160 - 5
H87691	2B13	4	50 - 5	JD10020	3D4	17	110 - 27	JD7788	2F22	5	70 - 27
H87691	4D4	10	160 - 3	JD10134	2C7	4	50 - 25	JD7788	3F20	20	125 - 21
H87691	4D20	3	160 - 21	JD10135	2C7	5	50 - 25	JD7797	3I10	26	140 - 7
H88771	3I10	44	140 - 7	JD10182	2B25	24	50 - 17	JD7797	3J4	3	140 - 25
H88773	3B9	6	95 - 3	JD10266	2C7	18	50 - 25	JD7797	3J4	5	140 - 25
H88773	3F24	17	130 - 3	JD10266	4D13	4	160 - 12	JD7797	3J6	30	140 - 27
H89241	3I6	3	140 - 3	JD10312	2F22	6	70 - 27	JD7797	3J23	9	140 - 45
H89297	3C16	6	110 - 15	JD10329	1B22	17	20 - 17	JD7798	2E16	15	60 - 21
H89476	1I7	9	40 - 79	JD10329	1B24	6	20 - 19	JD7798	3C5	13	110 - 3
H89515	3J15	12	140 - 37	JD10384	3F24	11	130 - 3	JD7798	4D18	19	160 - 19
H89525	3J23	4	140 - 45	JD10384	3G5	13	130 - 8	JD7799	2D2	11	50 - 47
H89569	4B9	11	150 - 3	JD10384	3G19	16	130 - 23	JD7799	2E16	17	60 - 21
H89617	3C7	6	110 - 5	JD10462	2C21	8	50 - 41	JD7806	3H13	9	135 - 13
H89617	3C10	6	110 - 9	JD10462	2E16	20	60 - 21	JD7839	4B16	12	150 - 10
H91315	3B13	5	95 - 7	JD37125	4D16	4	160 - 16	JD7839	4C4	5	150 - 23
H91788	3J15	13	140 - 37	JD37125	4D18	13	160 - 19	JD7844	3H19	22	135 - 19
H92308	2C4	21	50 - 21	JD39102	1B9	21	20 - 3	JD7847	2C21	14	50 - 41
H93084	3D12	13	110 - 35	JD39102	3F24	5	130 - 3	JD8147	2C4	8	50 - 21
H93399	1B9	15	20 - 3	JD39104	3J25	9	140 - 47	JD8162	3I10	14	140 - 7
H93399	3J16	5	140 - 38	JD39104	3K5	26	140 - 53	JD8162	3I12	24	140 - 9
H93927	3C12	24	110 - 11	JD39104	4C6	14	150 - 25	JD8162	3I14	24	140 - 11
H95273	4E25	..	170 - 22	JD39106	3G4	8	130 - 7	JD8162	3I16	9	140 - 13
H95417	3C5	32	110 - 3	JD39106	3G15	4	130 - 19	JD8182	2C2	17	50 - 19
H95417	3C12	16	110 - 11	JD39106	3G21	4	130 - 25	JD8182	3I24	19	140 - 21
H95499	3C16	16	110 - 15	JD39109	3F20	13	125 - 21	JD8206	3I10	15	140 - 7
H95547	2B19	5	50 - 11	JD5592	4E20	7	170 - 17	JD8206	3I12	23	140 - 9
H95902	2D24	18	60 - 5	JD5920	1I3	13	40 - 75	JD8206	3I14	23	140 - 11
H96149	4B18	7	150 - 13	JD5920	4E10	7	170 - 7	JD8206	3I16	7	140 - 13
H96169	4B18	1	150 - 13	JD5921	1I3	14	40 - 75	JD8206	4D18	17	160 - 19
H96267	4B18	6	150 - 13	JD5921	4E10	8	170 - 7	JD8210	3J6	8	140 - 27
H96294	4B18	14	150 - 13	JD5922	1I3	12	40 - 75	JD8223	2C2	18	50 - 19
H96645	4B22	17	150 - 17	JD5922	4E10	9	170 - 7	JD8223	3I24	18	140 - 21
H96652	4B24	7	150 - 19	JD5927	4E10	6	170 - 7	JD8237	2B25	23	50 - 17
H96652	4C2	7	150 - 21	JD7126	3K7	12	140 - 55	JD8255	3J6	3	140 - 27
H96690	3F7	31	125 - 7	JD7147	1B25	4	20 - 20	JD8257	2B25	5	50 - 17
H96690	3J11	19	140 - 33	JD7228	2C7	26	50 - 25	JD8267	2C2	5	50 - 19
H96996	3J11	12	140 - 33	JD7278	2C7	25	50 - 25	JD8524	4B18	8	150 - 13
H96996	3K3	4	140 - 50	JD7278	2C7	28	50 - 25	JD8535	1B18	14	20 - 13
H97308	3C5	16	110 - 3	JD7292	3I24	20	140 - 21	JD8551	3D8	26	110 - 31
H97322	3D6	12	110 - 29	JD7292	3J6	12	140 - 27	JD8552	3D8	10	110 - 31
H97322	3D8	17	110 - 31	JD7297	2C18	19	50 - 37	JD8554	3F3	5	125 - 3

NUMERICAL INDEX - CONTINUED

PART NO.	GRID	KEY	PAGE	PART NO.	GRID	KEY	PAGE	PART NO.	GRID	KEY	PAGE
JD8554	3F5	15	125 - 5	L31859	3I24	10	140 - 21	N126641	2C16	10	50 - 35
JD8554	3H23	12	135 - 23	L31860	3I24	11	140 - 21	N126644	2C13	39	50 - 31
JD8554	4B22	13	150 - 17	L38238	1G12	9	40 - 35	N126654	2C19	4	50 - 39
JD8576	3D18	8	110 - 41	L64995	4F1	..	170 - 23	N12679	2E6	26	60 - 11
JD8576	3J12	3	140 - 34	M1007T	3C7	40	110 - 5	N12679	4D22	26	160 - 23
JD8579	3J9	21	140 - 31	M111701	1B10	14	20 - 4	N128541	2C19	5	50 - 39
JD8665	4B22	16	150 - 17	M112271	4B18	38	150 - 13	N130510	2C19	8	50 - 39
JD8676	3I12	17	140 - 9	M113254	3H7	7	135 - 7	N139123	3J6	26	140 - 27
JD8676	3I14	17	140 - 11	M121T	2G17	10	70 - 46	N14279	3F11	6	125 - 11
JD8819	3C10	41	110 - 9	M18356	3B9	26	95 - 3	N14279	3F13	3	125 - 13
JD8979	2C2	6	50 - 19	M41029	2B25	35	50 - 17	N154080	1E21	5	30 - 17
JD9007	3I16	15	140 - 13	M41029	2G2	2	70 - 31	N15764	3G11	4	130 - 15
JD9043	2C21	19	50 - 41	M4237T	2C13	14	50 - 31	N186900	2D19	5	50 - 66
JD9043	2E16	12	60 - 21	M43518	2C13	31	50 - 31	N191174	2C11	14	50 - 29
JD9058	4D16	8	160 - 16	M43649	2D22	23	60 - 3	N191174	2C18	29	50 - 37
JD9075	3I16	2	140 - 13	M43835	1F11	2	40 - 5	N196034	2C11	16	50 - 29
JD9076	2C13	9	50 - 31	M47293	1F23	11	40 - 19	N196034	2C18	27	50 - 37
JD9078	3J6	2	140 - 27	M48000	2C13	2	50 - 31	N197422	2C4	13	50 - 21
JD9086	3I24	13	140 - 21	M48000	2C16	15	50 - 35	N199920	2B23	2	50 - 15
JD9088	3I18	10	140 - 15	M48770	3E15	14	120 - 21	N205022	2E21	10	70 - 1
JD9109	2C21	18	50 - 41	M48869	2E23	23	70 - 3	N206575	2H12	11	80 - 11
JD9109	2E16	18	60 - 21	M48869	2G2	4	70 - 31	N209312	2E21	5	70 - 1
JD9119	3I24	17	140 - 21	M61266	1G18	8	40 - 41	N218670	1G10	9	40 - 33
JD9121	4D16	7	160 - 16	M63707	2D5	13	50 - 51	N276699	2B17	6	50 - 9
JD9132	3I16	3	140 - 13	M63707	3I6	39	140 - 3	N31772	2D5	8	50 - 51
JD9133	2C13	9	50 - 31	M64720	3D2	37	110 - 25	N31772	3I6	45	140 - 3
JD9144	3I18	9	140 - 15	M64720	3E22	6	120 - 29	N34986	2F22	9	70 - 27
JD9201	3C12	23	110 - 11	M64720	3F7	15	125 - 7	N34986	2G2	12	70 - 31
JD9201	3H7	34	135 - 7	M64720	3F9	14	125 - 9	N52258	3F20	8	125 - 21
JD9201	3H9	15	135 - 9	M64720	3F11	28	125 - 11	N61654	3C18	13	110 - 17
JD9202	3C12	17	110 - 11	M64720	3F15	6	125 - 15	N61654	3K3	13	140 - 50
JD9219	3G11	5	130 - 15	M64720	3H21	16	135 - 21	N61709	3I10	7	140 - 7
JD9268	3J18	8	140 - 40	M68701	1G16	5	40 - 39	N71921	4B18	4	150 - 13
JD9273	3F5	17	125 - 5	M68701	2H22	4	80 - 21	N71922	3C10	20	110 - 9
JD9273	3H23	9	135 - 23	M71770	3G19	20	130 - 23	N72989	4B16	15	150 - 10
JD9301	3D18	4	110 - 41	M72490	1E9	10	30 - 5	N72989	4B22	1	150 - 17
JD9301	3J12	4	140 - 34	M72598	3C20	9	110 - 19	PF10034	4C16	3	155 - 9
JD9339	3J9	18	140 - 31	M72598	3C22	5	110 - 21	PF10035	4C16	17	155 - 9
JD9356	3D18	7	110 - 41	M72598	3D2	6	110 - 25	PF10106	1I7	8	40 - 79
JD9356	3J12	5	140 - 34	M78471	2H25	15	80 - 25	PF10106	4C16	8	155 - 9
JD9365	3D25	19	120 - 5	M78494	1B20	9	20 - 15	PF10123	4C10	8	155 - 3
JD9373	3D4	20	110 - 27	M800578	3C7	36	110 - 5	PF10134	4C10	2	155 - 3
JD9373	4B22	4	150 - 17	M80082	3G19	23	130 - 23	PF10135	4C10	3	155 - 3
JD9404	3H13	10	135 - 13	M80082	4C18	5	155 - 11	PF10144	4C22	1	155 - 15
JD9431	3D25	17	120 - 5	M86290	3D19	5	110 - 42	PF10173	4C14	9	155 - 7
JD9459	3J18	7	140 - 40	M86291	3D19	6	110 - 42	PF10218	1I7	12	40 - 79
JD9490	3F20	6	125 - 21	M86292	3D19	7	110 - 42	PF10218	4C16	6	155 - 9
J16931	1B9	30	20 - 3	M86293	3D19	8	110 - 42	PF10240	4C10	5	155 - 3
J16931	1B12	30	20 - 7	M86294	3D19	9	110 - 42	PF10349	4C16	12	155 - 9
J16931	1B18	18	20 - 13	M86295	3D19	10	110 - 42	PF10350	4C14	4	155 - 7
J16931	2H14	33	80 - 13	M91405	2H16	6	80 - 15	PF10350	4C14	21	155 - 7
J16931	2H16	19	80 - 15	M93425	3C20	13	110 - 19	PF10523	1I4	12	40 - 76
J16931	2H22	26	80 - 21	M93425	3C22	11	110 - 21	PF10523	4C10	8	155 - 3
J16931	3J2	27	140 - 23	N10145	3J7	4	140 - 28	PF80000	4C14	1	155 - 7
J16931	3K5	9	140 - 53	N102039	1B24	..	20 - 19	PF80016	4C10	..	155 - 3
J16931	4B18	39	150 - 13	N102039	2B22	9	50 - 14	PF80022	1I7	7	40 - 79
J18468	4B22	23	150 - 17	N10217	2D7	15	50 - 53	PF80022	4C16	7	155 - 9
J2375M	2G11	3	70 - 40	N10217	2F18	23	70 - 23	PF80045	4C16	4	155 - 9
J2375M	2G12	1	70 - 41	N110219	3H7	27	135 - 7	PF80047	4C14	3	155 - 7
K40003	4B22	10	150 - 17	N111742	3E8	2	120 - 13	PF80058	4C16	2	155 - 9
L113023	2I25	13	90 - 11	N115096	1F11	11	40 - 5	PF80136	4C20	2	155 - 13
L1730N	3C16	3	110 - 15	N126586	2C16	13	50 - 35	PF80137	4C21	2	155 - 14
L29041	3I10	3	140 - 7	N126600	2C13	10	50 - 31	PF80139	4C21	1	155 - 14
L29042	3I10	3	140 - 7	N126601	2C14	7	50 - 33	PF80150	4C12	8	155 - 5
L29043	3I10	3	140 - 7	N126603	2C13	1	50 - 31	PF80152	1I7	1	40 - 79
L29044	3I10	3	140 - 7	N126612	2C11	11	50 - 29	PF80152	4C16	1	155 - 9
L31858	3I24	9	140 - 21	N126612	2C18	33	50 - 37	PF80156	4C12	7	155 - 5

NUMERICAL INDEX - CONTINUED

PART NO.	GRID	KEY	PAGE	PART NO.	GRID	KEY	PAGE	PART NO.	GRID	KEY	PAGE
PF80173	1I7	6	40-79	RE12363	1G6	8	40-29	RE500317	1D18	11	25-39
PF80173	4C18	3	155-11	RE12363	1G6	9	40-29	RE500318	1D15	11	25-35
PF80174	1I7	4	40-79	RE12363	1G8	34	40-31	RE500803	1E7	21	30-3
PF80174	4C18	4	155-11	RE12363	1G10	4	40-33	RE500917	1E3	3	25-50
PF80209	4C12	3	155-5	RE12363	1G12	11	40-35	RE501262	1E9	3	30-5
PF80314	4C10	1	155-3	RE12363	1G14	15	40-37	RE501513	1C18	6	25-10
PF80316	4C12	7	155-5	RE12363	1G22	7	40-45	RE501616	1D24	2	25-45
PF80334	4C21	2	155-14	RE12363	1H17	5	40-64	RE501618	1D24	2	25-45
PF80335	4C21	1	155-14	RE12363	1H21	1	40-68	RE501867	1E9	24	30-5
PF80338	4C21	3	155-14	RE12363	1I4	6	40-76	RE501970	1E7	17	30-3
PF80339	4C22	3	155-15	RE12363	2G14	13	70-43	RE502154	1D18	9	25-39
PF80339	4C22	4	155-15	RE12363	3I6	15	140-3	RE502404	1E9	1	30-5
PF80339	4C22	5	155-15	RE12363	4C16	16	155-9	RE502510	1C24	4	25-16
PF80370	4C12	8	155-5	RE12364	1F9	16	40-3	RE502650	1E9	4	30-5
PF90091	4C12	..	155-5	RE12364	1F23	14	40-19	RE502887	1D24	2	25-45
PM797NA	1F13	57	40-7	RE12364	1F23	15	40-19	RE502932	1E7	7	30-3
PM797NA	1F15	40	40-9	RE12364	1G3	18	40-25	RE502933	1E7	6	30-3
PT2314	2I19	4	90-4	RE12364	1G6	19	40-29	RE503256	1E7	20	30-3
P43969	2B25	25	50-17	RE12364	4C14	17	155-7	RE503270	1B22	23	20-17
P44478	3J12	6	140-34	RE12365	1F9	20	40-3	RE503270	1B24	9	20-19
P45750	2G8	2	70-37	RE12365	1F20	29	40-15	RE503528	1C18	8	25-10
P46369	2C7	22	50-25	RE12366	1F9	25	40-3	RE503537	1D24	7	25-45
P46402	3C18	1	110-17	RE12366	1F20	34	40-15	RE504121	1C4	7	20-25
P46402	3J9	11	140-31	RE12366	1H16	1	40-63	RE504122	1C4	7	20-25
P46402	3J11	17	140-33	RE151331	2J10	16	90-21	RE504139	1E15	2	30-11
P46402	3J13	9	140-35	RE153074	3B9	18	95-3	RE504179	1E9	1	30-5
P46402	3J19	8	140-41	RE154318	3B14	4	95-8	RE504195	1C20	3	25-12
P46402	3J21	1	140-43	RE154319	3B14	2	95-8	RE504195	1C22	3	25-14
P46402	3J22	7	140-44	RE155577	1C2	6	20-22	RE504196	1C21	3	25-13
P46402	3K2	11	140-49	RE160416	1H2	6	40-49	RE504196	1C22	3	25-14
P46402	3K6	6	140-54	RE160421	1H2	6	40-49	RE504197	1C22	3	25-14
P46770	3I10	4	140-7	RE160425	1H2	6	40-49	RE504198	1C20	5	25-12
P46874	3D18	5	110-41	RE20768	1B22	18	20-17	RE504198	1C22	2	25-14
P46874	3G9	10	130-13	RE20768	1B24	4	20-19	RE504199	1C21	5	25-13
P46874	3J12	7	140-34	RE21364	1F20	33	40-15	RE504199	1C22	2	25-14
P48347	2C14	17	50-33	RE21790	1E16	9	30-12	RE504200	1C22	2	25-14
P48347	2E21	4	70-1	RE21790	1E17	4	30-13	RE504202	1C17	1	25-9
P48347	3D16	7	110-39	RE22642	2C21	16	50-41	RE504203	1C15	1	25-7
P48403	2C13	30	50-31	RE22764	1C23	5	25-15	RE504635	1E9	3	30-5
P48703	3I20	46	140-17	RE24045	1D4	11	25-22	RE504767	1E9	1	30-5
P50456	3C5	23	110-3	RE24046	1D4	13	25-22	RE506220	1E2	38	25-49
RE10258	1E11	4	30-7	RE24307	2F2	3	70-7	RE506258	1E9	1	30-5
RE11156	1F13	36	40-7	RE27837	2C24	5	50-45	RE506259	1E9	1	30-5
RE11157	1F13	37	40-7	RE28217	1E9	20	30-5	RE51052	3B17	2	95-11
RE12330	1F9	14	40-3	RE32824	2C21	10	50-41	RE51234	1G8	43	40-31
RE12331	1F9	12	40-3	RE32856	1D15	12	25-35	RE52454	3B17	1	95-11
RE12332	1F9	18	40-3	RE33636	1E16	8	30-12	RE52504	1E21	1	30-17
RE12333	1F9	21	40-3	RE34128	1E11	4	30-7	RE52506	3B19	1	95-13
RE12334	1F9	8	40-3	RE35161	2J4	1	90-15	RE52507	3B20	1	95-14
RE12362	1F9	4	40-3	RE36151	1E10	4	30-6	RE52508	3B19	3	95-13
RE12363	1F9	11	40-3	RE39131	2C23	6	50-43	RE52509	3B21	1	95-15
RE12363	1F23	10	40-19	RE39134	1D18	10	25-39	RE52510	3B19	2	95-13
RE12363	1F23	12	40-19	RE40048	1F4	2	30-25	RE52702	1B16	1	20-11
RE12363	1F23	26	40-19	RE42195	4C20	8	155-13	RE54244	1E15	10	30-11
RE12363	1F25	39	40-21	RE42196	4C20	11	155-13	RE54245	1E15	12	30-11
RE12363	1F25	42	40-21	RE43526	2J10	5	90-21	RE55475	1D3	19	25-21
RE12363	1F25	46	40-21	RE46375	1E9	18	30-5	RE55475	1E2	11	25-49
RE12363	1F25	47	40-21	RE46375	1E11	6	30-7	RE55522	1C19	5	25-11
RE12363	1F25	54	40-21	RE46609	3B17	..	95-11	RE55522	1E3	1	25-50
RE12363	1F25	55	40-21	RE46962	2J19	31	90-31	RE55662	1E7	11	30-3
RE12363	1F25	57	40-21	RE48310	1E16	5	30-12	RE56165	3D16	9	110-39
RE12363	1F25	58	40-21	RE48321	1E16	3	30-12	RE57054	1D1	3	25-18
RE12363	1F25	63	40-21	RE49243	2C21	1	50-41	RE57148	1E7	5	30-3
RE12363	1G3	3	40-25	RE49243	2E16	2	60-21	RE57149	1E7	3	30-3
RE12363	1G3	8	40-25	RE500186	1E19	20	30-15	RE57150	1E7	2	30-3
RE12363	1G3	9	40-25	RE500187	1E19	21	30-15	RE57151	1E7	1	30-3
RE12363	1G6	3	40-29	RE500216	1D16	1	25-36	RE57152	1E7	14	30-3

NUMERICAL INDEX - CONTINUED

PART NO.	GRID	KEY	PAGE	PART NO.	GRID	KEY	PAGE	PART NO.	GRID	KEY	PAGE
RE57152	1E13	5	30-9	RE67487	2C23	..	50-43	R112053	1D1	7	25-18
RE57152	1E13	13	30-9	RE67934	1E9	9	30-5	R112268	1H12	9	40-59
RE57153	1E13	10	30-9	RE68318	1D18	6	25-39	R112273	1B24	16	20-19
RE57154	1D18	11	25-39	RE68495	1F18	1	40-13	R112679	3D16	5	110-39
RE57167	1C18	7	25-10	RE69581	1D20	16	25-41	R11278	2I19	5A	90-4
RE57167	1C20	7	25-12	RE69704	1H14	7	40-61	R112857	2C11	12	50-29
RE57170	1C20	3	25-12	RE70486	1H14	12	40-61	R113050	3B16	3	95-10
RE57172	1C21	3	25-13	RE70487	1H14	10	40-61	R113050	3B18	2	95-12
RE57175	1C20	5	25-12	RE70535	1B22	7	20-17	R113164	1C1	3	20-21
RE57177	1C21	5	25-13	RE70535	1H12	8	40-59	R113364	2J13	16	90-25
RE57186	1E2	19	25-49	RE70664	1D24	17	25-45	R114022	1E19	6	30-15
RE57187	1E2	38	25-49	RE70689	1C15	1	25-7	R114023	1E19	7	30-15
RE57190	1D18	2	25-39	RE70689	1C17	1	25-9	R114130	1C13	2	25-5
RE57394	1D13	9	25-33	RE70689	1C18	10	25-10	R114130	1E9	8	30-5
RE57399	1D13	9	25-33	RE70709	1D24	23	25-45	R114130	1H14	14	40-61
RE57561	1D13	1	25-33	RE70756	1H14	6	40-61	R114160	1D20	4	25-41
RE57561	1D24	24	25-45	RE70773	1F23	30	40-19	R114203	2J13	17	90-25
RE57604	1E3	6	25-50	RE70773	1G14	20	40-37	R115129	1C25	3	25-17
RE57750	1D3	18	25-21	RE70957	1H14	7	40-61	R115471	1C15	1	25-7
RE57836	1C13	5	25-5	RE71121	1G21	2	40-44	R115742	3B17	..	95-11
RE57836	1D3	10	25-21	RE71255	1C13	12	25-5	R115743	3B19	4	95-13
RE57836	1D18	12	25-39	RE71255	1D13	20	25-33	R116081	1C18	7	25-10
RE57836	1D20	10	25-41	RE71255	1D21	1	25-42	R116081	1C21	7	25-13
RE58780	1C20	9	25-12	RG24026	1D3	..	25-21	R116082	1C22	3	25-14
RE58781	1C21	9	25-13	RV702A	2D22	25	60-3	R116083	1C22	3	25-14
RE60546	1D9	2	25-28	RV810A	3G5	14	130-8	R116084	1C20	5	25-12
RE60577	1E9	16	30-5	RV810A	3G13	7	130-17	R116084	1C22	2	25-14
RE60622	1D8	15	25-27	RV810A	3G19	9	130-23	R116085	1C20	5	25-12
RE61253	1C20	4	25-12	R100569	1D8	10	25-27	R116085	1C22	2	25-14
RE61253	1C22	1	25-14	R100569	1D9	1	25-28	R116233	1D10	2	25-29
RE61267	1C20	9	25-12	R100569	1E2	31	25-49	R116311	1C19	4	25-11
RE61268	1C21	9	25-13	R100727	2C21	21	50-41	R116311	1C20	8	25-12
RE61658	1E9	24	30-5	R10093	3B15	14	95-9	R116311	1C21	8	25-13
RE61693	1E15	13	30-11	R10093	3B16	5	95-10	R116311	1E3	2	25-50
RE61851	1C21	4	25-13	R102882	1D3	5	25-21	R116718	1D8	12	25-27
RE61851	1C22	1	25-14	R104587	1C19	3	25-11	R116718	1D10	6	25-29
RE62718	4D16	2	160-16	R104587	1C20	2	25-12	R117073	1D13	6	25-33
RE62719	4D13	2	160-12	R104587	1C21	2	25-13	R117569	2J13	20	90-25
RE62776	1E2	3	25-49	R104589	1D1	6	25-18	R119132	1D3	12	25-21
RE62777	1E2	4	25-49	R104621	1D13	18	25-33	R119223	1E15	11	30-11
RE62791	1C17	1	25-9	R104628	1D8	14	25-27	R119383	1D18	4	25-39
RE62791	1C18	10	25-10	R104628	1D9	3	25-28	R119383	1E2	20	25-49
RE63073	1E7	14	30-3	R104656	1C25	9	25-17	R119384	1C25	2	25-17
RE63073	1E13	5	30-9	R104656	1D1	5	25-18	R119384	1E2	22	25-49
RE63073	1E13	13	30-9	R104846	4C16	20	155-9	R119795	1D18	11	25-39
RE63439	1D15	2	25-35	R104846	4C20	6	155-13	R119847	1D13	12	25-33
RE63439	1D15	15	25-35	R104859	1C25	5	25-17	R119847	1E2	28	25-49
RE63932	1E25	4	30-21	R104861	1H12	4	40-59	R120030	1C19	5	25-11
RE64533	1E13	10	30-9	R104919	4C16	27	155-9	R120181	1E7	4	30-3
RE65265	1E11	1	30-7	R104919	4C20	10	155-13	R120182	1E7	4	30-3
RE65440	1E25	6	30-21	R104927	1G8	6	40-31	R120183	1E7	8	30-3
RE65787	1E15	5	30-11	R104927	1G8	31	40-31	R120183	1E7	9	30-3
RE65814	3B16	10	95-10	R105346	1D24	6	25-45	R120183	1E7	10	30-3
RE65815	3B9	5	95-3	R105346	1E2	14	25-49	R120184	1E7	8	30-3
RE65815	3B11	10	95-5	R107890	2J25	10	90-37	R120184	1E7	9	30-3
RE65816	2J15	11	90-27	R108699	1E13	7	30-9	R120185	1E7	4	30-3
RE66524	1D24	2	25-45	R108700	1E13	8	30-9	R120185	1E7	10	30-3
RE67013	1F18	5	40-13	R108701	1E13	9	30-9	R120186	1E7	8	30-3
RE67014	1F18	8	40-13	R109625	1D10	1	25-29	R120186	1E7	9	30-3
RE67015	1F18	6	40-13	R109625	1E2	32	25-49	R120461	3J6	9	140-27
RE67484	2C21	..	50-41	R110126	1D1	2	25-18	R120752	1C19	2	25-11
RE67484	2C23	..	50-43	R110126	1D4	15	25-22	R120752	1C20	1	25-12
RE67485	2C21	..	50-41	R11086	1C25	6	25-17	R120752	1C21	1	25-13
RE67485	2C23	..	50-43	R11086	1D18	5	25-39	R120872	1D1	3	25-18
RE67486	2C21	..	50-41	R111156	2G6	5	70-35	R120953	1C13	21	25-5
RE67486	2C23	..	50-43	R111692	3D16	3	110-39	R120954	1C13	21	25-5
RE67487	2C21	..	50-41	R111995	2C21	1	50-41	R120955	3B15	16	95-9

NUMERICAL INDEX - CONTINUED

PART NO.	GRID	KEY	PAGE	PART NO.	GRID	KEY	PAGE	PART NO.	GRID	KEY	PAGE
R120956	3B15	16	95 - 9	R127426	1D25	3	25 - 46	R26375	2D2	12	50 - 47
R121163	1D11	8	25 - 30	R127808	1C2	11	20 - 22	R26375	2D15	1	50 - 61
R121164	1E9	6	30 - 5	R127873	1D15	2	25 - 35	R26375	2E12	5	60 - 17
R121193	1D3	13	25 - 21	R127873	1D15	16	25 - 35	R26375	2E14	18	60 - 19
R121195	1E9	5	30 - 5	R128232	2J13	28	90 - 25	R26375	2E21	9	70 - 1
R121316	1D18	7	25 - 39	R128694	1D13	2	25 - 33	R26375	2E25	1	70 - 5
R121320	1D3	8	25 - 21	R128892	1C2	5	20 - 22	R26375	2F20	1	70 - 25
R121338	1C18	7	25 - 10	R128893	1C2	8	20 - 22	R26375	2G3	10	70 - 32
R121338	1C20	7	25 - 12	R129599	2D3	1	50 - 48	R26375	2G4	4	70 - 33
R121342	1C21	3	25 - 13	R129820	1D13	10	25 - 33	R26375	2G4	13	70 - 33
R121342	1C22	3	25 - 14	R129821	1D13	16	25 - 33	R26375	2G6	3	70 - 35
R121343	1C22	3	25 - 14	R129875	1B22	1	20 - 17	R26375	2G7	1	70 - 36
R121346	1C21	3	25 - 13	R129875	1B24	12	20 - 19	R26375	2G10	14	70 - 39
R121346	1C22	3	25 - 14	R129875	1C2	12	20 - 22	R26375	2G11	8	70 - 40
R121347	1C22	3	25 - 14	R130573	1D21	4	25 - 42	R26375	2G12	10	70 - 41
R121350	1C21	5	25 - 13	R130573	1E2	13	25 - 49	R26375	2G16	2	70 - 45
R121351	1C22	2	25 - 14	R130988	2J13	37	90 - 25	R26375	2G16	29	70 - 45
R121354	1C21	5	25 - 13	R130989	2J13	39	90 - 25	R26375	2G18	6	70 - 47
R121354	1C22	2	25 - 14	R130990	2J13	29	90 - 25	R26375	2G22	9	70 - 51
R121355	1C22	2	25 - 14	R132290	1D21	2	25 - 42	R26375	3C7	20	110 - 5
R121489	1D3	21	25 - 21	R132290	1E17	1	30 - 13	R26375	3C10	33	110 - 9
R121490	1D3	7	25 - 21	R132396	1D11	17	25 - 30	R26375	3C10	39	110 - 9
R121491	1D3	6	25 - 21	R132396	1E2	37	25 - 49	R26375	3G9	15	130 - 13
R121765	1C13	3	25 - 5	R133394	1E19	9	30 - 15	R26375	3I6	2	140 - 3
R121765	1C15	1	25 - 7	R133998	1D20	14	25 - 41	R26375	3I20	31	140 - 17
R121765	1D16	2	25 - 36	R134010	1H12	7	40 - 59	R26375	3I24	32	140 - 21
R122364	1C13	20	25 - 5	R134138	2J13	19	90 - 25	R26375	3J2	4	140 - 23
R122430	1D18	8	25 - 39	R134153	1H8	11	40 - 55	R26375	3J6	32	140 - 27
R122491	1D3	18	25 - 21	R134153	1H12	1	40 - 59	R26375	4E2	15	160 - 27
R122492	1D3	18	25 - 21	R134525	1B22	2	20 - 17	R26448	1E11	3	30 - 7
R1225R	3I20	4	140 - 17	R134525	1C2	1	20 - 22	R26448	1E19	24	30 - 15
R122595	1D25	2	25 - 46	R134602	1D11	4	25 - 30	R26448	2C14	20	50 - 33
R122618	1D24	8	25 - 45	R135175	1B22	12	20 - 17	R26448	2C16	19	50 - 35
R122653	1C20	9	25 - 12	R135175	1E3	7	25 - 50	R26448	2C18	11	50 - 37
R122654	1C21	9	25 - 13	R135423	1H12	12	40 - 59	R26448	2D5	27	50 - 51
R12363	1F20	2	40 - 15	R135509	1H14	11	40 - 61	R26448	2D13	10	50 - 59
R12363	1F20	3	40 - 15	R135510	1H14	9	40 - 61	R26448	2E12	14	60 - 17
R12363	1F20	9	40 - 15	R135606	1H8	3	40 - 55	R26448	2E14	2	60 - 19
R12363	1F20	18	40 - 15	R135606	4F10	3	170 - 32	R26448	2E21	12	70 - 1
R12365	1G22	1	40 - 45	R135609	1H10	3	40 - 57	R26448	2E23	20	70 - 3
R124186	1D13	13	25 - 33	R135609	4F10	3	170 - 32	R26448	2F8	28	70 - 13
R124211	1E2	8	25 - 49	R135737	1B24	15	20 - 19	R26448	2F10	3	70 - 15
R124328	1D8	15	25 - 27	R136083	1D4	3	25 - 22	R26448	2F12	3	70 - 17
R124381	1C20	4	25 - 12	R136320	1D3	3	25 - 21	R26448	2F14	3	70 - 19
R124381	1C22	1	25 - 14	R150659	2J13	40	90 - 25	R26448	2F24	17	70 - 29
R124607	1D20	15	25 - 41	R150660	2J13	25	90 - 25	R26448	2G3	1	70 - 32
R124607	1E2	7	25 - 49	R154320	3B14	5	95 - 8	R26448	2G10	9	70 - 39
R124741	1D18	21	25 - 39	R159807	3B11	11	95 - 5	R26448	2G20	2	70 - 49
R124742	1D18	23	25 - 39	R1612R	1C13	10	25 - 5	R26448	2G22	2	70 - 51
R124842	1C21	4	25 - 13	R170889	2D3	1	50 - 48	R26448	3C10	39	110 - 9
R124842	1C22	1	25 - 14	R1818R	2B23	4	50 - 15	R26448	3I6	10	140 - 3
R124859	2J13	18	90 - 25	R1964R	3J16	12	140 - 38	R26448	3I8	9	140 - 5
R124859	2J13	21	90 - 25	R21612	2E4	27	60 - 9	R26448	3I18	14	140 - 15
R124898	2J13	26	90 - 25	R21722	4E2	12	160 - 27	R26448	3I18	17	140 - 15
R124903	2J13	38	90 - 25	R25382-RAN	2E23	26	70 - 3	R26448	3I20	24	140 - 17
R125025	1D18	1	25 - 39	R26058	1C23	4	25 - 15	R26448	3J2	11	140 - 23
R125025	1D20	12	25 - 41	R26058	1E2	33	25 - 49	R26501	2J17	30	90 - 29
R125027	1C23	3	25 - 15	R26079	1D4	8	25 - 22	R26524	2J17	32	90 - 29
R125072	1D18	22	25 - 39	R26081	1D4	2	25 - 22	R26543	3I20	45	140 - 17
R126337	1D10	5	25 - 29	R26192	2J19	28	90 - 31	R26559	1D4	4	25 - 22
R126355	2J15	26	90 - 27	R26192	2J19	30	90 - 31	R26650	2C21	15	50 - 41
R126812	1D24	12	25 - 45	R26207	2B22	6	50 - 14	R26650	2C23	5	50 - 43
R127181	1E13	11	30 - 9	R26265	2C2	7	50 - 19	R26650	4D18	11	160 - 19
R127224	2J13	34	90 - 25	R26286	3F11	3	125 - 11	R26748	1D4	12	25 - 22
R127297	1D11	11	25 - 30	R26286	3F13	6	125 - 13	R26871	3D16	4	110 - 39
R127397	1B24	9	20 - 19	R26333	1E3	4	25 - 50	R26906	2C13	6	50 - 31
R127425	1D25	1	25 - 46	R26375	2B23	10	50 - 15	R26906	2C19	2	50 - 39

NUMERICAL INDEX - CONTINUED

PART NO.	GRID	KEY	PAGE	PART NO.	GRID	KEY	PAGE	PART NO.	GRID	KEY	PAGE
R26906	2E25	3	70-5	R32016	1F15	10	40-9	R43305	3I10	6	140-7
R26906	2F7	16	70-12	R32017	1F15	11	40-9	R43383	3F7	24	125-7
R26906	2F8	17	70-13	R32017	1F20	16	40-15	R43383	3F15	23	125-15
R26906	2F8	34	70-13	R32018	1F15	12	40-9	R43409	1C13	1	25-5
R26906	2F16	14	70-21	R32019	1F15	13	40-9	R43621	1C13	13	25-5
R26906	2F22	19	70-27	R32021	1F15	14	40-9	R43660	1D13	9A	25-33
R26906	2G4	6	70-33	R32022	1F15	15	40-9	R43750	3I22	3	140-19
R26906	2G4	13	70-33	R32023	1F15	16	40-9	R44302	1I4	9	40-76
R26906	2G16	6	70-45	R32023	1F20	36	40-15	R44302	2E6	1	60-11
R26906	2G16	10	70-45	R32024	1F16	3	40-10	R44302	2E14	21	60-19
R26906	2G16	29	70-45	R32025	1F16	4	40-10	R44342	2J19	38	90-31
R26906	2G18	5	70-47	R32026	1F13	48	40-7	R45182	2D5	23	50-51
R26906	3C7	33	110-5	R32026	1F15	17	40-9	R45187	2D5	3	50-51
R26906	3C10	30	110-9	R32027	1F15	18	40-9	R45187	3I6	40	140-3
R26906	3I6	17	140-3	R32028	1F15	19	40-9	R45638	2D5	4	50-51
R26906	3I8	2	140-5	R32176	1H6	8	40-53	R45638	3I6	41	140-3
R26906	3I10	31	140-7	R32214	2C21	13	50-41	R46414	3C20	17	110-19
R26906	3I18	24	140-15	R32214	2D3	4	50-48	R46667	1C5	9	20-26
R27149	1C13	16	25-5	R32239	2G14	12	70-43	R46701	2D5	5	50-51
R27166	2C16	9	50-35	R32617	1C25	1	25-17	R46701	3I6	42	140-3
R27175	2C18	26	50-37	R33058	3C10	8	110-9	R47151	1D15	10	25-35
R27175	2C19	1	50-39	R33079	3C10	3	110-9	R47151	1D15	13	25-35
R27218	2C14	21	50-33	R33088	3C7	5	110-5	R47153	1D11	9	25-30
R27218	2C16	20	50-35	R33088	3C10	5	110-9	R47153	1D13	7	25-33
R27218	2D5	28	50-51	R33138	2B23	11	50-15	R47153	1E2	27	25-49
R27218	2E21	13	70-1	R33138	3I6	1	140-3	R47160	1E17	3	30-13
R27218	3C10	37	110-9	R33259	3B15	5	95-9	R47449	3I6	26	140-3
R27218	3I6	13	140-3	R33259	3B16	2	95-10	R47693	1C4	5	20-25
R27218	3I18	15	140-15	R33259	3B18	3	95-12	R47998	2J19	37	90-31
R27218	3J2	12	140-23	R33521	3I6	33	140-3	R48887	1F11	17	40-5
R27443	1D4	9	25-22	R35192	4D13	15	160-12	R48887	1G8	5	40-31
R27474	1D15	14	25-35	R35192	4D16	15	160-16	R49376	1D15	1	25-35
R27474	2F8	33	70-13	R35256	1B22	19	20-17	R49377	1E2	30	25-49
R27474	3I10	32	140-7	R35256	1B24	3	20-19	R495R	2B25	17	50-17
R27474	3I18	25	140-15	R35352	2C7	10	50-25	R495R	3C8	2	110-6
R27564	2F8	14	70-13	R35668	2D13	21	50-59	R495R	3D2	3	110-25
R27796	2C4	7	50-21	R35668	2G10	20	70-39	R49866	1D5	7	25-23
R27928	2F16	6	70-21	R35668	2G20	7	70-49	R49866	1E2	6	25-49
R28776	2F16	1	70-21	R35668	2G22	11	70-51	R49921	2G10	18	70-39
R28776	3I6	4	140-3	R35794	2E12	16	60-17	R500055	1D11	5	25-30
R28782	2C13	36	50-31	R36119	1B10	17	20-4	R500055	1D13	3	25-33
R28782	2C19	10	50-39	R36426	4E2	16	160-27	R500197	1D20	9	25-41
R28782	2C21	24	50-41	R36599	1C13	5	25-5	R500330	1D13	14	25-33
R28782	2D5	29	50-51	R39081	3C7	16	110-5	R500354	1D15	2	25-35
R28782	2D13	17	50-59	R39081	3C10	16	110-9	R500355	1D15	2	25-35
R28782	2F6	19	70-11	R39112	2D2	13	50-47	R500355	1D15	15	25-35
R28782	2F8	31	70-13	R39112	3C8	8	110-6	R500355	1D15	16	25-35
R28782	2G7	9	70-36	R39112	3C10	37	110-9	R500355	1D15	17	25-35
R28782	2G10	6	70-39	R39112	3C10	40	110-9	R500607	1H12	5	40-59
R28782	3I6	14	140-3	R39112	3I24	33	140-21	R500608	1H8	7	40-55
R28811	1C24	3	25-16	R394R	2B25	7	50-17	R500608	1H10	5	40-57
R29936	2D11	7	50-57	R394R	3C8	3	110-6	R500642	1C13	15	25-5
R29936	2D16	7	50-62	R39554	2J19	3	90-31	R500642	1D8	1	25-27
R29936	2E12	12	60-17	R39554	2J19	8	90-31	R501034	1C18	6	25-10
R29936	2E25	8	70-5	R39741	1C4	2	20-25	R501035	1C17	1	25-9
R29936	2E25	15	70-5	R39741	1C13	6	25-5	R501035	1C18	4	25-10
R29936	2F18	12	70-23	R39876	2C21	5	50-41	R501414	1C24	4	25-16
R29936	2F22	10	70-27	R40236	1D10	4	25-29	R501465	1D18	23	25-39
R29936	2G16	13	70-45	R41076	3D16	2	110-39	R501666	1B22	9	20-17
R30378	1F13	43	40-7	R41934	1C19	1	25-11	R501666	1B24	1	20-19
R30399	3D25	14	120-5	R41934	1C20	6	25-12	R502011	1E2	21	25-49
R30903	2C13	19	50-31	R41934	1C21	6	25-13	R502011	1H12	11	40-59
R30903	2F6	14	70-11	R42009	2E8	6	60-13	R502036	1D24	10	25-45
R31132	3K5	10	140-53	R42340	1C13	9	25-5	R502081	1C25	4	25-17
R31378	3D12	2	110-35	R42729	1B25	2	20-20	R50393	1H12	10	40-59
R31674	2D5	24	50-51	R42926	2D5	1	50-51	R50424	1D11	12	25-30
R32011	1F15	8	40-9	R42926	3I6	38	140-3	R50424	1E2	35	25-49

NUMERICAL INDEX - CONTINUED

PART NO.	GRID	KEY	PAGE	PART NO.	GRID	KEY	PAGE	PART NO.	GRID	KEY	PAGE
R50454	2D16	4	50-62	R62502	3C5	34	110-3	R70114	2C4	18	50-21
R50454	2G11	2	70-40	R62502	3C12	14	110-11	R70115	2C4	19	50-21
R50454	2G12	9	70-41	R62938	1D8	2	25-27	R70210	1F13	40	40-7
R50456	2I23	9	90-9	R63016	1E10	6	30-6	R70210	1F13	41	40-7
R50642	2H6	19	80-5	R63308	2B25	33	50-17	R70211	1F13	40	40-7
R50642	4B15	11	150-9	R63308	2C11	10	50-29	R70211	1F13	41	40-7
R51031	2C13	33	50-31	R63666	1G18	13	40-41	R70212	1F13	40	40-7
R51031	2C19	17	50-39	R63667	1G18	14	40-41	R70212	1F13	41	40-7
R51031	2C21	25	50-41	R63668	1G18	15	40-41	R70213	1F13	40	40-7
R51031	2D5	21	50-51	R63669	1G18	16	40-41	R70214	1F13	40	40-7
R51031	2F8	32	70-13	R63670	1G18	34	40-41	R70214	1F13	41	40-7
R51053	1D11	10	25-30	R63845	1D25	6	25-46	R70215	1F13	40	40-7
R51936	1E7	19	30-3	R63980	3I6	5	140-3	R70216	1F13	40	40-7
R51936	1E9	2	30-5	R63987	1B22	8	20-17	R70216	1F13	41	40-7
R51937	1E7	23	30-3	R63987	1B24	7	20-19	R70217	1F13	40	40-7
R53108	1E2	34	25-49	R64056	1G16	13	40-39	R70218	1F13	40	40-7
R53296	3I20	35	140-17	R64058	1G16	16	40-39	R70218	1F13	41	40-7
R53668	2D2	6	50-47	R64059	1G16	12	40-39	R70219	1F13	40	40-7
R53899	1E2	25	25-49	R64059	3J15	15	140-37	R70220	1F13	50	40-7
R53899	1E9	19	30-5	R64060	1G16	10	40-39	R70221	1F13	39	40-7
R53899	1E10	3	30-6	R64698	2D5	10	50-51	R70222	1F13	38	40-7
R53901	1E10	5	30-6	R64698	3I6	47	140-3	R70826	1D4	6	25-22
R54025	1E11	2	30-7	R65569	2J21	2	90-33	R71144	2B23	6	50-15
R54123	1C4	4	20-25	R65593	1F15	2	40-9	R71208	1D4	7	25-22
R54380	2C7	24	50-25	R65594	1F15	9	40-9	R71212	1E7	8	30-3
R54445	1G16	3	40-39	R65595	1F15	21	40-9	R71212	1E7	9	30-3
R54445	1G16	6	40-39	R65596	1F15	22	40-9	R71351	1B14	22	20-9
R54445	1G16	9	40-39	R65597	1F15	23	40-9	R71711	2C23	7	50-43
R54500	1D24	3	25-45	R65598	1F15	24	40-9	R71732	1D8	11	25-27
R54565	1D4	1	25-22	R65599	1F15	25	40-9	R71732	1D8	13	25-27
R54856	1E2	24	25-49	R65599	1G12	10	40-35	R71732	1D10	7	25-29
R55042	3J23	10	140-45	R65600	1F15	26	40-9	R72032	3I16	23	140-13
R56101	1E19	32	30-15	R65601	1F15	27	40-9	R72328	1D20	11	25-41
R56101	1E21	2	30-17	R65602	1F13	49	40-7	R72328	1E2	9	25-49
R56709	3K7	9	140-55	R65602	1F15	28	40-9	R72853	1D24	11	25-45
R56722	3J23	10	140-45	R65603	1F15	29	40-9	R73094	2J13	36	90-25
R56782	3I6	6	140-3	R65604	1F15	30	40-9	R73102	2C23	2	50-43
R56930	2G10	5	70-39	R65605	1F15	31	40-9	R73102	2D2	2	50-47
R56930	4C4	6	150-23	R65606	1F15	32	40-9	R73290	3J15	14	140-37
R57269	2C21	7	50-41	R65607	1F13	46	40-7	R73384	2J21	13	90-33
R57269	2E16	13	60-21	R65607	1F15	33	40-9	R73498	1E16	4	30-12
R57696	1D8	5	25-27	R65608	1F15	3	40-9	R74008	1C18	3	25-10
R57725	1B25	1	20-20	R65609	1F15	6	40-9	R74689	2C23	11	50-43
R57771	1C18	2	25-10	R65610	1F15	7	40-9	R74690	2C23	9	50-43
R58186	1E7	4	30-3	R66197	3C7	1	110-5	R74693	2C23	13	50-43
R58806	3B12	3	95-6	R66197	3C10	1	110-9	R74694	2C23	14	50-43
R59297	1E7	8	30-3	R66319	1F15	1	40-9	R74696	2C23	10	50-43
R59297	1E7	9	30-3	R66320	1F11	24	40-5	R74697	2C23	12	50-43
R59297	1E7	10	30-3	R66320	1F15	5	40-9	R76358	1E9	7	30-5
R60170	3B15	15	95-9	R66321	1F11	24	40-5	R76358	1E10	2	30-6
R60239	2D2	4	50-47	R66321	1F15	4	40-9	R76491	1D3	15	25-21
R60239	2E16	3	60-21	R66718	1B14	23	20-9	R76937	3I12	9	140-9
R60277	1E13	1	30-9	R67092	1E15	1	30-11	R76937	3I14	9	140-11
R60278	1E13	4	30-9	R67264	1E9	13	30-5	R77175	2C14	23	50-33
R60279	1E13	3	30-9	R67264	1E9	15	30-5	R77175	2C18	9	50-37
R60730	2D22	15	60-3	R67377	1H21	10	40-68	R77175	2E23	22	70-3
R60730	2K7	6	90-44	R67879	1E10	8	30-6	R77175	2F8	30	70-13
R61288	1C13	24	25-5	R67879	1E11	5	30-7	R77175	2F10	1	70-15
R61497	1D6	1	25-24	R68102	2C23	4	50-43	R77175	2F12	1	70-17
R62191	1B22	20	20-17	R68102	2E16	16	60-21	R77175	2F14	1	70-19
R62191	1B24	5	20-19	R68672	3J2	30	140-23	R77175	2F24	19	70-29
R62192	1B22	20	20-17	R68824	3I12	11	140-9	R77175	3I6	12	140-3
R62192	1B24	5	20-19	R68824	3I14	11	140-11	R77178	4E2	4	160-27
R62193	1B22	20	20-17	R69536	2C21	22	50-41	R77456	1F11	27	40-5
R62193	1B24	5	20-19	R69706	3G9	3	130-13	R77457	1F11	29	40-5
R62194	1B22	20	20-17	R70112	2C4	15	50-21	R77458	1F11	28	40-5
R62194	1B24	5	20-19	R70113	2C4	17	50-21	R77459	1F11	28	40-5

NUMERICAL INDEX - CONTINUED

PART NO.	GRID	KEY	PAGE	PART NO.	GRID	KEY	PAGE	PART NO.	GRID	KEY	PAGE
R77460	1F11	28	40-5	R78051	1F9	24	40-3	R78063	1I4	8	40-76
R77461	1F11	28	40-5	R78051	1H16	1	40-63	R78063	3I6	15	140-3
R77462	1F11	25	40-5	R78052	1F9	5	40-3	R78063	4C16	13	155-9
R77463	1F11	30	40-5	R78053	1F9	13	40-3	R78063	4C20	5	155-13
R77464	1F11	26	40-5	R78053	1F20	4	40-15	R78064	1F9	27	40-3
R77464	2F10	17	70-15	R78053	1F20	19	40-15	R78064	4C14	15	155-7
R77464	2F12	17	70-17	R78053	1F20	28	40-15	R78069	4C20	1	155-13
R77464	2F14	17	70-19	R78053	1F20	31	40-15	R78069	4C21	7	155-14
R77465	1F11	31	40-5	R78053	1F23	8	40-19	R78965	4C20	13	155-13
R77466	1F11	33	40-5	R78053	1F23	17	40-19	R78965	4C21	6	155-14
R77467	1F11	34	40-5	R78053	1F25	31	40-21	R79060	1E9	14	30-5
R77468	1F11	32	40-5	R78053	1F25	40	40-21	R79117	2G8	9	70-37
R77469	1F13	35	40-7	R78053	1F25	41	40-21	R79604	1E7	18	30-3
R77470	1F13	45	40-7	R78053	1F25	62	40-21	R79846	1E3	5	25-50
R77471	1F13	45	40-7	R78053	1G3	4	40-25	R82007	1C13	22	25-5
R77472	1F13	45	40-7	R78053	1G3	14	40-25	R82571	2G8	7	70-37
R77473	1F13	45	40-7	R78053	1G3	16	40-25	R82719	1D20	20	25-41
R77474	1F13	44	40-7	R78053	1G3	17	40-25	R83020	1D25	5	25-46
R77475	1F11	13	40-5	R78053	1G3	19	40-25	R83021	1D25	4	25-46
R77476	1F11	3	40-5	R78053	1G6	4	40-29	R83489	1E2	25	25-49
R77477	1F11	4	40-5	R78053	1G6	14	40-29	R83489	1E10	12	30-6
R77478	1F11	15	40-5	R78053	1G6	17	40-29	R83489	1E15	4	30-11
R77479	1F11	5	40-5	R78053	1G6	18	40-29	R83720	1E13	6	30-9
R77479	1F20	32	40-15	R78053	1G6	20	40-29	R83721	1E13	6	30-9
R77480	1F11	6	40-5	R78053	1G12	13	40-35	R83722	1E13	6	30-9
R77480	1G12	2	40-35	R78053	1G14	12	40-37	R83723	1E13	6	30-9
R77480	1G12	3	40-35	R78053	1G18	33	40-41	R83724	1E13	6	30-9
R77481	1F11	7	40-5	R78053	1G22	5	40-45	R83725	1E13	6	30-9
R77482	1F11	8	40-5	R78053	1H16	13	40-63	R83726	1E13	6	30-9
R77483	1F11	16	40-5	R78053	1I4	8	40-76	R83727	1E13	6	30-9
R77484	1F11	19	40-5	R78053	2D5	14	50-51	R83728	1E13	6	30-9
R77485	1F11	21	40-5	R78053	2F16	16	70-21	R83729	1E13	6	30-9
R77486	1F11	22	40-5	R78054	1F9	17	40-3	R83730	1E13	6	30-9
R77487	1F11	23	40-5	R78055	1F9	22	40-3	R83731	1E13	6	30-9
R77488	1F13	51	40-7	R78055	1F25	53	40-21	R83732	1E13	6	30-9
R77489	1F13	51	40-7	R78055	4C14	14	155-7	R83733	1E13	6	30-9
R77489	1F20	7	40-15	R78056	1F9	26	40-3	R83734	1E13	6	30-9
R77489	1F20	15	40-15	R78056	1F20	30	40-15	R83735	1E13	6	30-9
R77490	1F13	51	40-7	R78056	1F23	25	40-19	R83736	1E13	6	30-9
R77491	1F13	54	40-7	R78057	1F9	2	40-3	R83737	1E13	6	30-9
R77492	1F13	54	40-7	R78057	1I4	6	40-76	R83738	1E13	6	30-9
R77493	1F13	51	40-7	R78057	4C14	13	155-7	R83739	1E13	6	30-9
R77494	1F13	55	40-7	R78058	1F9	23	40-3	R84472	1E2	10	25-49
R77495	1F13	52	40-7	R78058	1G18	33	40-41	R84472	1E7	15	30-3
R77496	1F13	52	40-7	R78058	1I4	8	40-76	R84472	1E13	12	30-9
R77497	1F13	53	40-7	R78058	4C14	18	155-7	R84618	1D3	16	25-21
R77498	1F11	24	40-5	R78059	1F9	1	40-3	R84619	1D3	17	25-21
R77499	1F11	24	40-5	R78059	2D5	14	50-51	R85027	1D4	14	25-22
R77500	1F11	24	40-5	R78059	2F16	16	70-21	R85168	3J4	1	140-25
R77501	1F11	24	40-5	R78059	3I6	9	140-3	R85169	3J4	2	140-25
R77502	1F13	56	40-7	R78059	4C14	12	155-7	R85373	2D2	15	50-47
R77503	1F13	56	40-7	R78060	1F9	2	40-3	R85374	2D2	8	50-47
R77551	1E2	5	25-49	R78060	1F9	9	40-3	R85376	2D2	9	50-47
R77673	1D20	19	25-41	R78060	1H16	1	40-63	R85378	2D2	10	50-47
R77738	1G10	3	40-33	R78060	1H17	5	40-64	R85588	2C21	2	50-41
R77764	3I12	8	140-9	R78060	1H21	1	40-68	R86007	1D20	17	25-41
R77764	3I14	8	140-11	R78060	3I6	15	140-3	R86061	1D20	3	25-41
R78047	1F9	3	40-3	R78060	4C16	14	155-9	R86062	1D20	6	25-41
R78048	1F9	10	40-3	R78061	1F9	6	40-3	R86063	1D13	8	25-33
R78048	1H17	5	40-64	R78061	1F9	23	40-3	R86457	3D16	8	110-39
R78048	1H21	1	40-68	R78061	2D5	14	50-51	R87561	1C13	23	25-5
R78048	1I4	6	40-76	R78061	2F16	16	70-21	R87561	1D1	1	25-18
R78048	2G14	13	70-43	R78062	1F9	1	40-3	R88397	1D20	5	25-41
R78048	4C16	15	155-9	R78063	1F9	1	40-3	R88397	1E2	12	25-49
R78049	1F9	15	40-3	R78063	1F9	7	40-3	R88829	2C21	11	50-41
R78049	4C14	16	155-7	R78063	1G18	33	40-41	R88959	2C24	3	50-45
R78050	1F9	19	40-3	R78063	1H16	13	40-63	R88960	2C24	3	50-45

1L24

9650 STS AND 9750 STS SELF-PROPELLED COMBINES

NUMERICAL INDEX - CONTINUED

PART NO.	GRID	KEY	PAGE	PART NO.	GRID	KEY	PAGE	PART NO.	GRID	KEY	PAGE
R89012	2C24	4	50-45	TY22025	3B17	..	95-11	T13119	1E16	2	30-12
R89014	1E9	23	30-5	TY22041	1C10	..	25-1	T13814	1D24	20	25-45
R89015	2D2	14	50-47	TY22042	1C10	..	25-1	T140425	4D12	14	160-11
R89610	2C21	12	50-41	TY22064	1C10	1	25-1	T14323	3I12	18	140-9
R89879	1D24	5	25-45	TY22065	1C10	1	25-1	T14323	3I14	18	140-11
R89879	1E2	16	25-49	TY22066	1C10	1	25-1	T146102	1H14	4	40-61
R89927	1E15	6	30-11	TY22067	1C10	1	25-1	T146104	1H14	8	40-61
R90080	2C7	3	50-25	TY22068	1C10	1	25-1	T146106	1H14	8	40-61
R90521	3D4	5	110-27	TY22069	1C10	1	25-1	T146515	1H14	8	40-61
R90565	2G8	4	70-37	TY22070	1C10	1	25-1	T146516	1H14	8	40-61
R91822	1D3	4	25-21	TY22073	1C10	1	25-1	T146517	1H14	8	40-61
R92097	1D24	5	25-45	TY22074	1C10	1	25-1	T155858	1E17	2	30-13
R92097	1E2	15	25-49	TY22101	3B17	..	95-11	T15712	1E16	1	30-12
R92104	2C21	17	50-41	TY22326	3J19	14	140-41	T158584	1H8	16	40-55
R92148	2C24	1	50-45	TY22326	3J21	10	140-43	T16193	2J21	8	90-33
R92160	2C21	4	50-41	TY22326	3J22	12	140-44	T17148	2J19	43	90-31
R92979	2C24	4	50-45	TY22326	3K3	12	140-50	T18012	1E9	17	30-5
R93008	1E10	11	30-6	TY22424	1C5	4	20-26	T19832	2C18	32	50-37
R93008	1E15	3	30-11	TY22467	1D5	3	25-23	T20077	1D3	2	25-21
R93105	2C23	6	50-43	TY22467	1D24	9	25-45	T20129	1D3	1	25-21
R93142	2C21	6	50-41	TY22551	1E21	4	30-17	T20294	1D5	4	25-23
R93142	2C24	2	50-45	TY22551	1E21	6	30-17	T20328	1D5	5	25-23
R93180	2C21	3	50-41	TY22551	1E21	7	30-17	T21242	1C24	2	25-16
R93238	1C24	1	25-16	TY22566	1B20	1	20-15	T21242	1D8	3	25-27
R93308	1D3	16	25-21	TY22566	1B20	8	20-15	T22828	2G8	2	70-37
R93311	1D3	17	25-21	TY24345	3I10	9	140-7	T23027	2I13	2	80-39
R93312	1D3	16	25-21	TY24345	3I10	..	140-7	T23033	2I13	6	80-39
R93313	1D3	17	25-21	TY24345	3J6	..	140-27	T23529	2J19	29	90-31
R93314	1D3	16	25-21	TY24439	1H14	7	40-61	T24210	1E10	1	30-6
R93315	1D3	17	25-21	TY24446	1D5	..	25-23	T25122	2H12	15	80-11
R93349	1D3	17	25-21	TY24485	1H8	1	40-55	T25122	2H20	1	80-19
R93350	1D3	16	25-21	TY24485	1H8	13	40-55	T27523	2G7	3	70-36
R93948	1C18	5	25-10	TY6280	1C10	1	25-1	T27523	3D2	44	110-25
R94350	1H8	2	40-55	TY6304	2B22	..	50-14	T27550	2F18	22	70-23
R94351	1H8	15	40-55	TY6304	2B25	13	50-17	T27716	3J2	10	140-23
R95430	1E19	16	30-15	TY6304	2B25	..	50-17	T27860	1C23	2	25-15
R96703	1H14	5	40-61	TY6333	3G9	..	130-13	T27888	2B23	3	50-15
R97097	1E24	8	30-20	TY6341	3C5	..	110-3	T28256	2E21	11	70-1
R98064	1D11	6	25-30	TY6364	1C10	1	25-1	T28256	3I6	52	140-3
R98064	1D13	4	25-33	TY6389	1C10	2	25-1	T28583	1F11	1	40-5
R98500	1E9	21	30-5	TY6390	1C10	2	25-1	T28583	1F15	34	40-9
R98527	1C25	8	25-17	TY6391	1C10	2	25-1	T28583	1G3	11	40-25
R99047	1E9	22	30-5	TY6392	1C10	2	25-1	T28583	1G6	11	40-29
R99377	2C23	8	50-43	TY6393	1C10	2	25-1	T28583	1G12	7	40-35
R99590	1C2	7	20-22	TY6394	1C10	2	25-1	T28585	1F11	12	40-5
SE500182	1E7	14	30-3	TY6750	1H8	1	40-55	T28585	1F15	35	40-9
SE500182	1E13	5	30-9	TY6750	1H8	13	40-55	T28586	1F11	14	40-5
SE500182	1E13	13	30-9	TY6764	3B17	..	95-11	T28862	1D24	22	25-45
TH102238	2H10	15	80-9	TY9370	2J4	..	90-15	T29342	2C11	20	50-29
TY15130	3C10	..	110-9	TY9370	2J23	..	90-35	T30424	4D24	3	160-25
TY15130	3G9	..	130-13	TY9371	2B22	..	50-14	T32231	1D21	7	25-42
TY15949	3B17	..	95-11	TY9371	2B25	..	50-17	T32231	1E16	10	30-12
TY15950	3B17	..	95-11	TY9371	3C7	..	110-5	T32231	2K7	21	90-44
TY15951	3B17	..	95-11	TY9374	3I12	..	140-9	T32255	1G18	19	40-41
TY15969	4D8	..	160-7	TY9374	3I14	..	140-11	T34067	1F11	18	40-5
TY15969	4D12	..	160-11	T105062	3J25	10	140-47	T34354	3J6	7	140-27
TY15969	4D15	..	160-15	T106409	1G14	3	40-37	T34355	3J6	7	140-27
TY16004	1C11	2	25-2	T10745	1H8	4	40-55	T34356	3J6	7	140-27
TY16005	1C11	3	25-2	T11180	1D24	1	25-45	T35390	1C13	14	25-5
TY16086	1F11	24	40-5	T119912	3C3	2	110-1	T40867	2I2	6	80-27
TY16302	1G18	28	40-41	T119912	3J20	4	140-42	T42302	3I18	22	140-15
TY16423	1C11	..	25-2	T122720	4D8	4	160-7	T43512	3J6	..	140-27
TY21765	1H4	4	40-51	T122720	4D12	6	160-11	T43513	3I16	..	140-13
TY22007	1C10	2	25-1	T122720	4D15	8	160-15	T44604	1E7	16	30-3
TY22008	1C10	2	25-1	T12486	3I22	21	140-19	T44824	3J7	21	140-28
TY22010	1C10	2	25-1	T12529	2E16	7	60-21	T45132	3I6	27	140-3
TY22011	1C10	2	25-1	T128536	3J2	18	140-23	T46438	4D13	12	160-12

1L25

9650 STS AND 9750 STS SELF-PROPELLED COMBINES

NUMERICAL INDEX - CONTINUED

PART NO.	GRID	KEY	PAGE	PART NO.	GRID	KEY	PAGE	PART NO.	GRID	KEY	PAGE
T48776	3I20	8	140 - 17	T77857	2G11	16	70 - 40	U17409	2C14	4	50 - 33
T48776	3I22	16	140 - 19	T77857	2G12	12	70 - 41	U17409	2C19	12	50 - 39
T49676	3I12	35	140 - 9	T77857	2G14	15	70 - 43	U40729	2C19	7	50 - 39
T49676	3I14	35	140 - 11	T77857	2G16	8	70 - 45	U40745	2F7	20	70 - 12
T50409	3I12	34	140 - 9	T77857	2G18	9	70 - 47	U40962	2F6	11	70 - 11
T50409	3I14	34	140 - 11	T77857	3I6	28	140 - 3	U40962	2F7	11	70 - 12
T50415	3I12	1	140 - 9	T77857	3J2	2	140 - 23	U40962	2F8	11	70 - 13
T50415	3I14	1	140 - 11	T77857	4E2	5	160 - 27	U46370	1F11	20	40 - 5
T531T	1G18	20	40 - 41	T77857	4E2	9	160 - 27	U46370	1F15	36	40 - 9
T53268	1D20	2	25 - 41	T77858	2D7	8	50 - 53	U46662	1F11	10	40 - 5
T55501	2J19	5	90 - 31	T77858	2D9	7	50 - 55	U46662	1F15	37	40 - 9
T55585	2J19	6	90 - 31	T77858	2D11	1	50 - 57	U46662	1G10	11	40 - 33
T55636	1B24	11	20 - 19	T77858	2D13	1	50 - 59	U46663	1F15	38	40 - 9
T55761	3C5	26	110 - 3	T77858	2D15	3	50 - 61	U46664	1F13	47	40 - 7
T55761	3C12	10	110 - 11	T77858	2D16	2	50 - 62	U46664	1F15	39	40 - 9
T60314	3I6	32	140 - 3	T77858	2E12	3	60 - 17	W23690	2C13	21	50 - 31
T62508	3I12	2	140 - 9	T77858	2F2	6	70 - 7	W25475	3J11	3	140 - 33
T62508	3I14	2	140 - 11	T77858	2F18	11	70 - 23	W25634	3K3	16	140 - 50
T62509	3I12	4	140 - 9	T77858	2G16	15	70 - 45	W33080	2H4	33	80 - 3
T62843	2G18	7	70 - 47	T77932	2D5	18	50 - 51	W39621	3D8	6	110 - 31
T63817	2G14	8	70 - 43	T77932	2D15	6	50 - 61	W39621	3G9	20	130 - 13
T65643	2G14	7	70 - 43	T77932	2E12	19	60 - 17	W39621	3H24	4	135 - 24
T65643	4B9	25	150 - 3	T77932	2E25	5	70 - 5	Y3082BN	2I4	4	80 - 29
T68818	4D8	17	160 - 7	T77932	2F2	5	70 - 7	Z12714	3C7	2	110 - 5
T68818	4D12	5	160 - 11	T77932	2F4	2	70 - 9	Z12851	3C7	18	110 - 5
T68818	4D15	5	160 - 15	T77932	2F22	17	70 - 27	Z12964	2C4	16	50 - 21
T70309	3I12	33	140 - 9	T77932	2G4	8	70 - 33	Z24604	4B22	19	150 - 17
T70309	3I14	33	140 - 11	T77932	2G16	4	70 - 45	Z33854	1B18	15	20 - 13
T72393	4E2	21	160 - 27	T77932	3I6	36	140 - 3	Z36140	3F24	7	130 - 3
T75984	2F6	12	70 - 11	T78313	2D7	4	50 - 53	Z36140	3F24	33	130 - 3
T75984	2F7	12	70 - 12	T78313	2D9	4	50 - 55	Z36140	4C14	19	155 - 7
T75984	2F8	12	70 - 13	T78313	2D18	3	50 - 65	Z39386	2I2	24	80 - 27
T75984	2F16	2	70 - 21	T78707	2D15	14	50 - 61	Z46513	2B9	6	50 - 1
T76836	2B22	10	50 - 14	T78707	2D16	5	50 - 62	Z46513	2B10	6	50 - 2
T76938	2E12	10	60 - 17	T78716	2F20	6	70 - 25	Z46513	2B11	6	50 - 3
T76938	2E25	10	70 - 5	T79938	3J11	4	140 - 33	Z51633	1G19	1	40 - 42
T76938	2E25	13	70 - 5	T81029	2G7	4	70 - 36	Z55241	2B9	3	50 - 1
T76938	2F22	12	70 - 27	U10457	3J11	10	140 - 33	Z55241	2B10	3	50 - 2
T76938	2G16	17	70 - 45	U10457	3K3	6	140 - 50	Z55241	2B11	3	50 - 3
T77514	3I6	24	140 - 3	U10746	2C2	20	50 - 19	Z55270	1G8	36	40 - 31
T77613	1E19	18	30 - 15	U10776	2C2	4	50 - 19	Z55270	1G8	37	40 - 31
T77613	1E19	26	30 - 15	U10776	3C7	41	110 - 5	Z55272	1G14	18	40 - 37
T77613	2D13	4	50 - 59	U11647	2C23	1	50 - 43	Z60326	4F1	..	170 - 23
T77613	2E14	7	60 - 19	U11647	2D2	1	50 - 47	Z60327	4F1	..	170 - 23
T77613	2G3	12	70 - 32	U12547	2C14	31	50 - 33	Z60329	4F1	..	170 - 23
T77613	2G6	17	70 - 35	U12547	2C18	23	50 - 37	Z60332	4F2	..	170 - 24
T77613	2G7	7	70 - 36	U12547	2D5	11	50 - 51	Z60332	4F3	..	170 - 25
T77613	2G10	11	70 - 39	U12547	2D5	19	50 - 51	Z60332	4F5	..	170 - 27
T77613	2G14	14	70 - 43	U12547	2D7	6	50 - 53	Z60904	2F14	25	70 - 19
T77613	2G20	10	70 - 49	U12547	2D9	5	50 - 55	Z61813	3C7	3	110 - 5
T77613	2G22	7	70 - 51	U12547	2D11	4	50 - 57	Z61817	3C7	8	110 - 5
T77613	3I6	35	140 - 3	U12547	2D13	3	50 - 59	Z61818	3C5	36	110 - 3
T77613	3I20	33	140 - 17	U12547	2D15	4	50 - 61	Z61818	3C7	10	110 - 5
T77814	2D13	14	50 - 59	U12547	2E12	1	60 - 17	Z62147	3C7	24	110 - 5
T77814	2G10	8	70 - 39	U12547	2F4	15	70 - 9	Z62206	1F25	56	40 - 21
T77814	2G20	4	70 - 49	U12547	2G16	21	70 - 45	Z62549	3C7	22	110 - 5
T77814	2G22	4	70 - 51	U12547	3I6	29	140 - 3	122SE	2J13	13	90 - 25
T77814	3I20	23	140 - 17	U13639	1C4	6	20 - 25	123380	3D25	11	120 - 5
T77857	1E19	30	30 - 15	U13639	1C13	7	25 - 5	123380	3E20	9	120 - 27
T77857	2D5	2	50 - 51	U13639	1E2	23	25 - 49	124424	3C24	15	110 - 23
T77857	2D15	7	50 - 61	U15415	2C11	15	50 - 29	124424	3D2	17	110 - 25
T77857	2E12	7	60 - 17	U15415	2C18	30	50 - 37	28316	3E15	4	120 - 21
T77857	2E14	4	60 - 19	U15973	3I18	16	140 - 15	32243	3C5	2	110 - 3
T77857	2F4	13	70 - 9	U17409	1D11	7	25 - 30	32246	2C13	20	50 - 31
T77857	2F20	3	70 - 25	U17409	1D13	5	25 - 33	400R	3I12	12	140 - 9
T77857	2G4	2	70 - 33	U17409	1D13	15	25 - 33	400R	3I14	12	140 - 11
T77857	2G6	13	70 - 35	U17409	1E2	26	25 - 49				